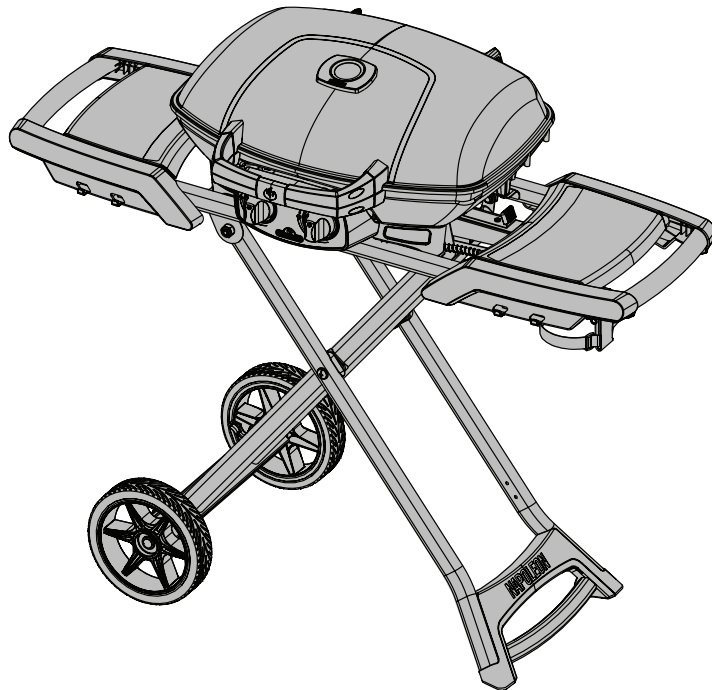
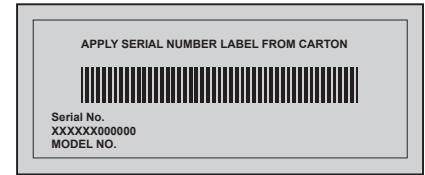


This gas grill must be used only outdoors in a well-ventilated space and must not be used inside a building, garage, screened-in porch, gazebo or any other enclosed area.



TQ285X



DANGER

IF YOU SMELL GAS:

- Shut off gas to the appliance.
- Extinguish any open flame.
- Open lid.
- If odor continues, keep away from the appliance and immediately call your gas supplier or fire department.



WARNING

Do not try to light this appliance without reading the "LIGHTING" instructions section of this manual.

Do not store or use gasoline or other flammable liquids or vapors in the vicinity of this or any other appliance. An L.P. cylinder not connected for use must not be stored in the vicinity of this or any other appliance. If the information in these instructions is not followed exactly, a fire or explosion may result, causing property damage, personal injury or death.

Notice to Installer: Leave these instructions with the grill owner for future reference.



N415-0340CE-E MAR 12.18

Wolf Steel Europe BV
Poppenbouwing 29-31, 4191 NZ Geldermalsen,
CCI No. 51509970, THE NETHERLANDS
info@napoleongrills.nl



www.napoleongrills.com

EN

RU
PG.15

CZ
PG.29

SK
PG.43

PL
PG.57



PG.71

Napoleon President's 10 Year Limited Warranty



NAPOLEON products are designed with superior components and materials, and are assembled by trained craftsmen who take great pride in their work. This grill has been thoroughly inspected by a qualified technician before packaging and shipping to ensure that you, the customer, receive the quality product you expect from NAPOLEON.

NAPOLEON warrants that components in your new NAPOLEON product will be free from defects in material and workmanship from the date of purchase, for the following period:

Aluminum castings / stainless steel base	10 years
Stainless steel lid	10 years
Porcelain enamel lid	10 years
Painted steel lid.....	5 years full coverage, plus 50% off until the 10th year
Stainless steel tube burners.....	5 years full coverage, plus 50% off until the 10th year
Porcelain-enameled cast iron cooking grids.....	5 years full coverage, plus 50% off until the 10th year
Stainless steel or porcelain sear plates	3 years full coverage, plus 50% off until the 10th year
All other parts	2 years

*Conditions and Limitations

This Limited Warranty creates a warranty period as specified in the aforementioned table, for any product purchased through an authorized NAPOLEON dealer, and entitles the original purchaser to the specified coverage in respect of any component replaced within the warranty period, either by NAPOLEON or an authorized NAPOLEON dealer, to replace a component of such product that has failed in normal private use as a result of a manufacturing defect. The "50% off" indicated in the table means the component is made available to the purchaser at a 50% discount off the regular retail price of the component for the period indicated. This Limited Warranty does not cover accessories or bonus items.

For greater certainty, "normal private use" of a product means that the product: has been installed by a licensed, authorized service technician or contractor, in accordance with the installation instructions included with the product and all local and national building and fire codes; has been properly maintained; and has not been used as a communal amenity or in a commercial application.

Similarly, "failure" does not include: over-firing, blow outs caused by environmental conditions such as strong winds or inadequate ventilation, scratches, dents, corrosion, deterioration of painted and plated finishes, discoloration caused by heat, abrasive or chemical cleaners or UV exposure, chipping of porcelain enameled parts, or damages caused by misuse, accident, hail, grease fires, lack of maintenance, hostile environments such as salt or chlorine, alterations, abuse, neglect or parts installed from other manufacturers.

Should deterioration of parts occur to the degree of non-performance (rusted through or burnt through) within the duration of the warranted coverage, a replacement part will be provided. The replacement component is the sole responsibility of NAPOLEON defined by this Limited Warranty; in no event will NAPOLEON be responsible for installation, labor or any other costs or expenses related to the re-installation of a warranted part, for any incidental, consequential, or indirect damages or for any transportation charges, labor costs or export duties.

This Limited Warranty is provided in addition to any rights afforded to you by local laws. Accordingly, this Limited Warranty imposes no obligation upon NAPOLEON to keep parts in stock. Based on the availability of parts, NAPOLEON may at its discretion discharge all obligations by providing a customer a prorated credit towards a new product. After the first year, with respect to this Limited Warranty NAPOLEON may, at its discretion, fully discharge all obligations with respect to this warranty by refunding to the original warranted purchaser the wholesale price of any warranted but defective part(s).

The bill of sale or copy will be required together with a serial number and a model number when making any warranty claims from NAPOLEON. NAPOLEON reserves the right to have its representative inspect any product or part prior to honoring any warranty claim. You must contact NAPOLEON Customer Service or an authorized NAPOLEON dealer to obtain the benefit of the warranty coverage.



napoleongrills.com

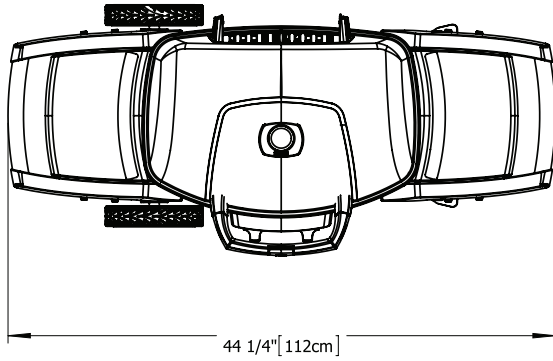


WARNING! Failure to follow these instructions could result in property damage, personal injury or death. Read and follow all warnings and instructions in this manual prior to operating grill.

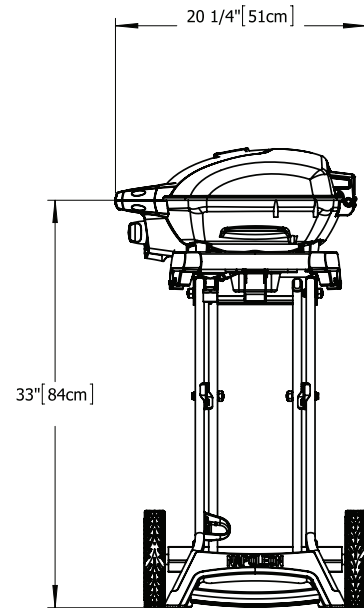
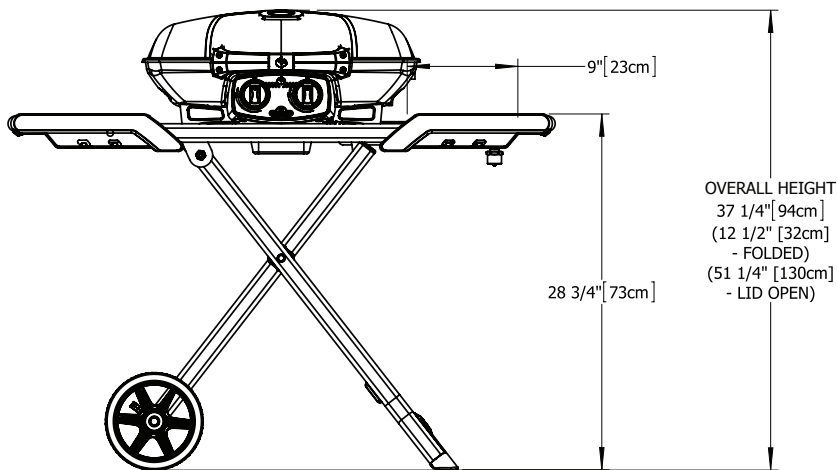
Safe Operating Practices

- This gas grill must be assembled exactly according to the instructions in the manual. If the grill was store assembled, you must review the assembly instructions to confirm correct assembly and perform the required leak tests before operating the grill.
- Read the entire instruction manual before operating the gas grill.
- This gas grill must only be used outdoors in a well-ventilated space and must not be used inside a building, garage, screened in porch, gazebo or any other enclosed area.
- This gas grill is designed for propane, butane or a propane/butane mix only.
- Do not locate in windy settings. High winds adversely affect the cooking performance of the gas grill.
- Under no circumstances should this gas grill be modified. Parts sealed by the manufacturer, licensed authorized service technician or contractor must not be manipulated by the user.
- Do not operate unit under any combustible construction.
- Maintain proper clearance to combustibles 18" (457mm) to rear of unit, 18" (457mm) to sides). Additional clearance is recommended near vinyl siding or panes of glass.
- The gas supply hose must be installed in a manner that will not allow contact with any hot surfaces of the grill while in use or in the storage/travel mode.
- The gas cartridge must be disconnected when the gas grill is not in use.
- When the gas cartridge is connected to the appliance, the gas grill and cartridge must be stored outdoors in a well-ventilated space.
- When the gas grill is to be stored indoors, the connection between the propane cartridge and the gas grill must be disconnected and the cartridge removed and stored outdoors in a well ventilated space out of reach of children. Disconnected cartridges must not be stored in a building, garage or any other enclosed area.
- Inspect the gas supply hose before each use. If there is evidence of excessive abrasion or wear or the hose is cut, it must be replaced, prior to using the gas grill, with a replacement hose assembly specified by the grill manufacturer.
- Never store a spare cartridge under or near this grill.
- Do not route hose underneath drip pan - proper hose clearance to bottom of unit must be maintained.
- Leak test the unit before initial use, annually and whenever any gas components are replaced.
- Follow the lighting instructions carefully when operating the grill.
- Do not light burners with lid closed.
- Adults and especially children should be alerted to the hazards of high surface temperatures. Young children should be supervised near the gas grill.
- Do not leave grill unattended when operating.
- Do not move grill when hot or operating.
- Keep any electrical supply cord and gas supply hose away from any heated surfaces.
- Ensure sear plate (if equipped) is positioned properly.
- Clean grease tray and sear plates (if equipped) regularly to avoid build-up, which may lead to grease fires.
- Do not use water, beer, or any other liquids to control flare-ups.
- Do not use a pressure washer to clean any part of the unit.
- This gas grill is not intended for commercial use.
- This gas grill is not intended for and should never be used as a heater.

DIMENSIONS



GRILL SIZE: 14 1/2 in X 21 1/2 in (IRREGULAR) = 285 in² (37 cm X 54 cm (IRREGULAR)= 1840 cm²)
 ALL DIMENSIONS ARE APPROXIMATE



Handle With Care



CAUTION! Use care when handling or transporting your grill to prevent damage and misalignment of internal components. Although this grill has been designed with mobility in mind, rough handling or abuse will result in damage to internal components, preventing your grill from operating properly.



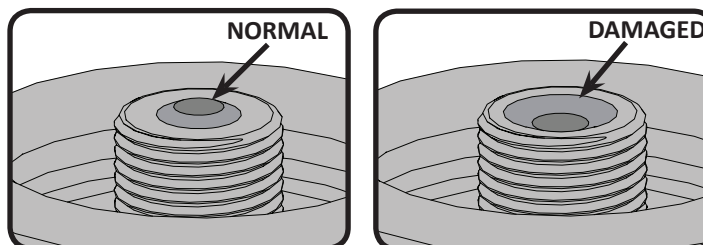
Correct Disposal Of This Product

This marking indicates that this product should not be disposed with other household wastes throughout the EU. To prevent possible harm to the environment or human health from uncontrolled waste disposal, recycle it responsibly to promote the sustainable reuse of material resources. To return your used device, please use the return and collection systems or contact the retailer where the product was purchased. They can take this product for environmental safe recycling.

Gas Cartridge

Use only cartridges, which meet national and regional codes. For optimal performance the grill should be operated on propane. Disposable cartridges must conform to the EN417 standard and be equipped with a linald self-sealing valve. Cartridges must have a fuel capacity of between 430g and 460g. Cartridges must be filled with either propane or a propane / butane mix.

- Inspect the rubber o-ring on the regulator. If there is damage replace the regulator.
- Never connect a cartridge, which does not meet local codes.
- Disposable cartridges must always be secured to the side of the grill in an upright position using the retaining bracket supplied.
- Never store a spare cartridge in close proximity of an operating appliance. Cartridges must not be exposed to extreme heat or direct sunlight.
- Never over tighten the cartridge, as over tightening may cause damage to the regulator connection or the cartridge connection. This can cause a leak or restrict the flow to the unit.

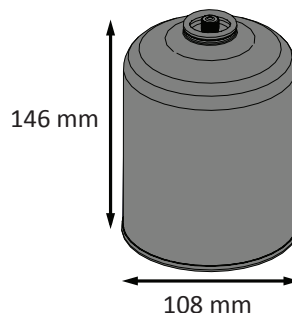


WARNING! The dust cap should be in place when the cartridge is not in use to prevent dirt and debris from entering the valve.

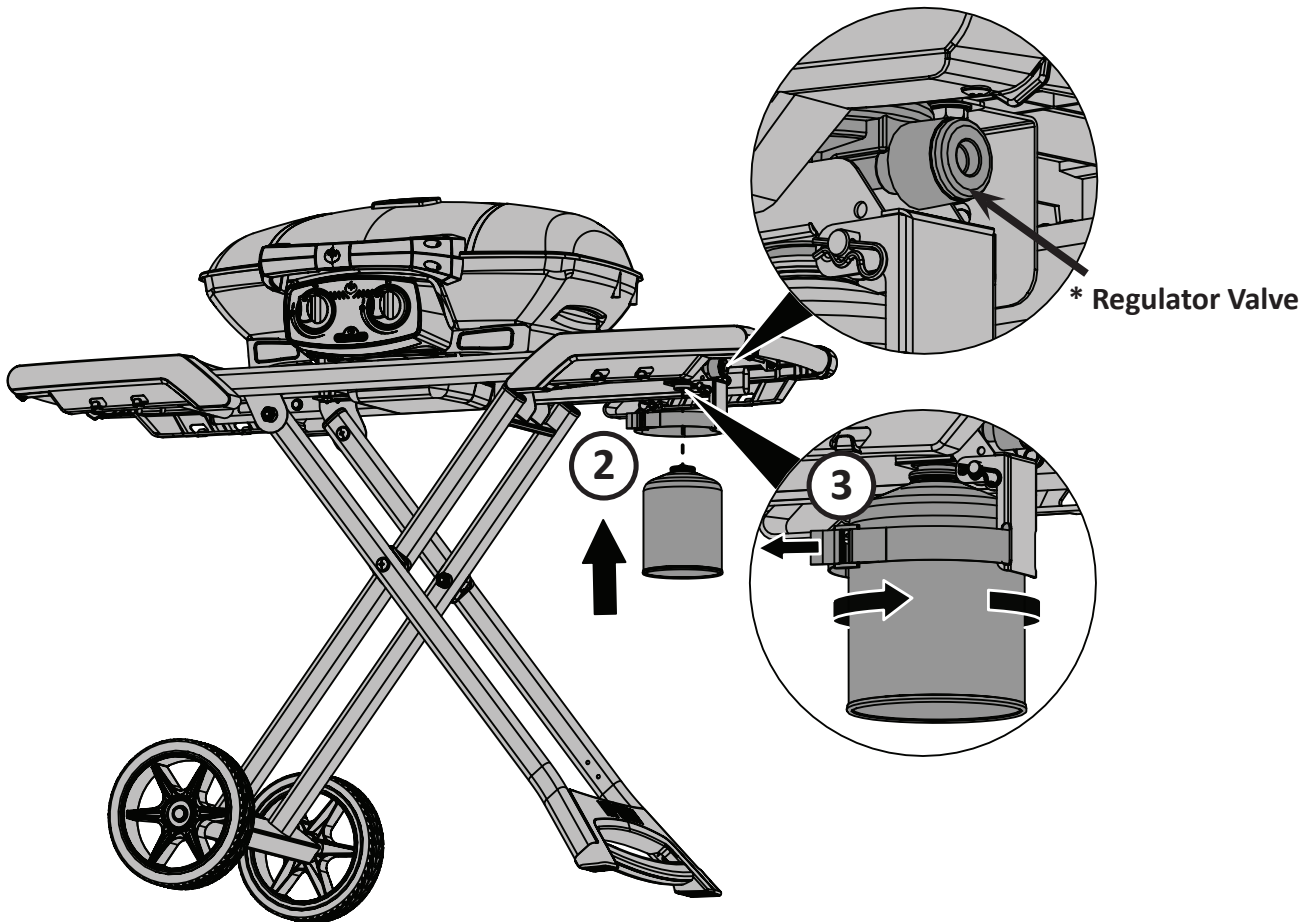
WARNING! Review instructions on the cartridge prior to using. A dented or rusted cartridge may be hazardous. Discard cartridge if rust particles or debris are in the connection area of the cartridge.

Cartridge Connection: Ensure that the gas regulator hose is kink free. The cartridge has a positive seating connection, which will not allow gas flow until a positive seal has been achieved. Remove the cap or plug from the cartridge. To install the cartridge simply screw it into the regulator in a clockwise direction. Hand tighten only, never use tools.

Leak test all joints prior to using the barbecue. A leak test must be performed annually, and each time a cylinder is hooked up, or part of the gas system is replaced. Disposable cartridges must be secured to the side of the grill, in an upright position, using the supplied retaining bracket. This will prevent liquid propane / butane from entering the regulator, which can cause over firing and damage to the regulator.



***For proper operation, ensure regulator valve is open.**





WARNING!

- Do not route hose underneath drip pan.
- Ensure all connections are tightened using two wrenches. Do not use Teflon tape or pipe dope on any hose connection.
- Ensure the hose does not contact any high temperature surfaces, or it may melt and leak causing a fire.

EN

Gas Hose

- If the hose and regulator are not included by the manufacturer, then only hoses and regulators which meet national and regional codes are to be used.
- Ensure that the hose does not come into contact with grease, other hot drippings, or any hot surfaces on the appliance.
- Check hose regularly. In the case of rips, melting or wear, replace hose before using the appliance.
- The hose must not be longer than 1.5m.
- Ensure that the hose is twist and kink free when installed.
- Replace the hose before expiry date printed on the hose.

Technical Data

The following table lists input values for the appliance.

Burner	Orifice Size		(Gross) Heat Input (Total)		Gas Usage (Total)	
	I	II	I	II	I	II
	#69 (0.74 mm)	#73 (0.61 mm)	4.1kW	4.1kW	301 g/hr	301 g/hr

Certified Gases / Pressures - Check rating plate to ensure that it corresponds with following list.

Gas Category	¹ 3B/P(30)	¹ 3+(28-30/37)	¹ 3B/P(50)
Orifice Sizes(see above)	I	I	II
Gases / Pressures	Butane and Propane at 30mbar	Butane 28-30mbar Propane 37mbar	Butane and Propane at 50mbar
Countries	BE, BG, CY, DK, EE, FI, FR, GB, HR, HU, IS, IT, LT, LU, MT, NL, NO, RO, SE, SI, SK, TR	BE, CH, CY, CZ, ES, FR, GB, GR, IE, IT, LT, LU, LV, PT, SK, SI	AT, CH, DE, SK

Do not tamper with or modify regulator. Use only regulators which supply the pressure listed in the table above. For replacement, use only the regulator specified by the manufacturer.

Leak Testing Instructions



WARNING! A leak test must be performed annually and each time a cylinder is hooked up or if a part of the gas system is replaced.



WARNING! Never use an open flame to check for gas leaks. Be certain no sparks or open flames are in the area while you check for leaks. Sparks or open flames will result in a fire or explosion, damage to property, serious bodily injury, or death.



Leak testing: This must be done before initial use, annually, and whenever any gas components are replaced or serviced. Do not smoke while performing this test, and remove all sources of ignition. See Leak Testing Diagram for areas to check. Turn all burner controls to the off position. Turn gas supply valve on.

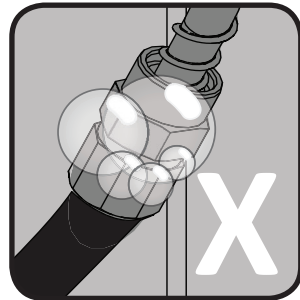
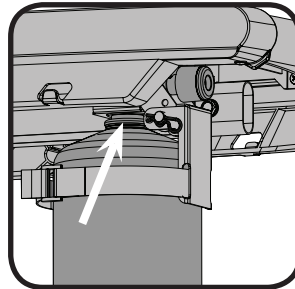
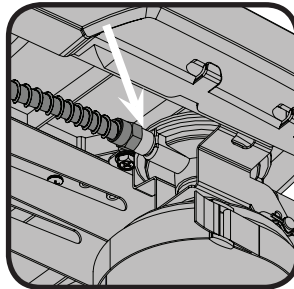
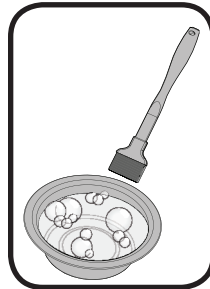
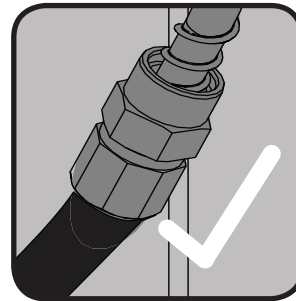
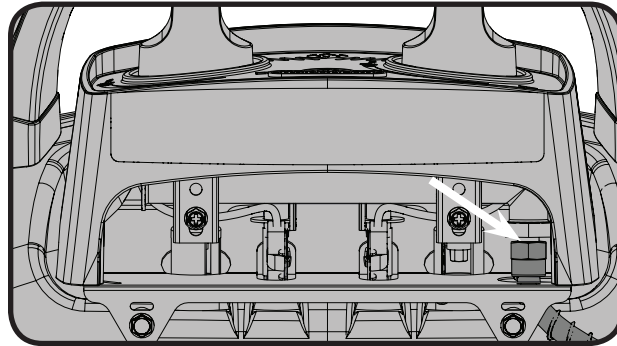


Brush a half-and-half solution of liquid soap and water onto all joints and connections of the regulator, hose, manifolds and valves.

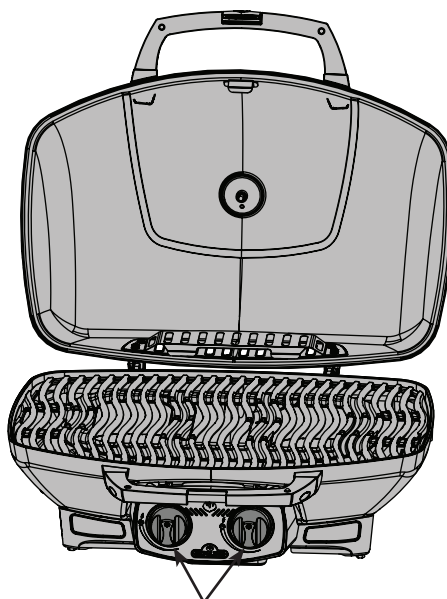
Bubbles will indicate a gas leak. Either tighten the loose joint or have the part replaced with one recommended by the Napoleon Customer Solutions department and have the grill inspected by a certified gas installer.



If the leak cannot be stopped, **immediately shut off the gas supply**, disconnect it, and have the grill inspected by a certified gas installer or dealer. Do not use the grill until the leak has been corrected.



Lighting Instructions



Burner Control



WARNING! Open lid

WARNING! Ensure all burner controls are in the off position. Slowly turn on the cylinder gas supply valve.

Main Burner Lighting

1. Open grill lid

2. Push and turn any main burner control knob slowly to the 'hi' position. This action will ignite the selected burner.

3. If the burner does not ignite, then immediately turn the control knob back to the 'off' position and repeat step 2 several times.

4. If the burner will not ignite within 5 seconds, turn the control knob to the 'off' position and wait 5 minutes for any excess gas to dissipate, either repeat steps 2 and 3 or light with a match.

5. If lighting the unit with a match, clip the match into the supplied lighting rod. Hold the lit match down through the grill while turning the corresponding burner valve to high.





Cooking Instructions

WARNING! Do not use this grill under extended awnings. Failure to follow these instructions could result in a fire or personal injury.

DANGER! Allow the grill to cool to the touch before moving or storing. Failure to do so could result in a fire resulting in property damage, personal injury or death.

Initial Lighting: When lit for the first time, the gas grill emits a slight odor. This is a normal temporary condition caused by the “burn-in” of internal paints and lubricants used in the manufacturing process and does not occur again. Simply run the main burners on high for approximately one-half hour.

Main Burner Use: When searing foods, we recommend preheating the grill by operating all main burners in the high position with the lid closed for approximately 10 minutes. Food cooked for short periods of time (fish, vegetables) can be grilled with the lid open. Cooking with the lid closed will ensure higher, more even temperatures that can reduce cooking time and cook meat more evenly. Food that has a cooking time longer than 30 minutes, such as roasts, can be cooked indirectly (with the burner lit opposite to the food placement). When cooking very lean meats, such as chicken breasts or lean pork, the grids can be oiled before pre-heating to reduce sticking. Cooking meat with a high degree of fat content can create flare-ups. Either trim the fat or reduce temperatures to inhibit this. Should a flare-up occur, move food away from the flames and reduce the heat. Leave the lid open. See Your All Season Grill cookbook by Napoleon for more detailed instructions.

Cleaning Instructions



WARNING! Always wear protective gloves and safety glasses when servicing your grill.

WARNING! To avoid the possibility of burns, maintenance should be done only when the grill is cool. Avoid unprotected contact with hot surfaces. Ensure all burners are turned off. Clean grill in an area where cleaning solutions will not harm decks, lawns, or patios. Do not use oven cleaner to clean any part of this gas grill. Do not use a self-cleaning oven to clean cooking grids or any other parts of the gas grill. Barbecue sauce and salt can be corrosive and will cause rapid deterioration of the gas grill components unless cleaned regularly.

Note: Stainless steel tends to oxidize or stain in the presence of chlorides and sulfides, particularly in coastal areas and other harsh environments, such as the warm, highly humid atmosphere around pools and hot tubs. These stains could be perceived as rust, but can be easily removed or prevented. To provide stain prevention and removal, wash all stainless steel and chrome surfaces every 3-4 weeks or as often as required with fresh water and/or stainless steel cleaner.

Cast Iron Cooking Grids: The cast iron cooking grids supplied with your new grill offer superior heat retention and distribution. By regularly seasoning your grids you are adding a protective coating, which will aid in resisting corrosion and increase your grids non-stick capabilities.

First Time Use: Wash the cooking grids by hand with mild dish soap and water to remove any residue from the manufacturing process (never wash in a dish washer). Rinse thoroughly with hot water and dry completely with a soft cloth. This is important to avoid moisture from entering the cast iron.

Seasoning: Using a soft cloth, spread VEGETABLE SHORTENING over the entire grid surface ensuring all grooves and corners are covered. Do not use salted fats such as butter or margarine. Pre-heat your grill for 15 minutes, then place the seasoned cooking grids in the grill. Turn the burner control knobs to medium with the lid closed. Allow the cooking grids to heat for approximately one-half hour. Turn all the burners to the “OFF” position and turn the gas off at the source. Let the cooking grids stand until cool. This procedure should be repeated several times throughout the season, although it is not required for daily use (follow daily usage procedure below).

Daily Usage: Before pre-heating, and cleaning with a brass wire grill brush, coat the entire top surface of the cooking grids with VEGETABLE SHORTENING. Pre-heat the grill and then brush away any unwanted residue with a brass wire brush.

Cleaning Inside The Gas Grill : Remove the cooking grids. Use a brass wire brush to clean loose debris from casting sides and underneath the lid. Brush all debris from inside the gas grill into the removable drip pan.

Drip Pan: Accumulated grease is a fire hazard. Clean the drip pan frequently to avoid grease buildup. Grease and excess drippings pass through to the drip pan, located beneath the gas grill and accumulate. To clean, slide the drip pan free of the grill. Never line the drip pan with aluminum foil, sand or any other material as this could prevent the grease from flowing properly. The pan should be scraped out with a putty knife or scraper.



CAUTION! Ensure drip pan is empty and clean before transporting grill in vertical position.

Cleaning The Outer Grill Surface: Do not use abrasive cleaners or steel wool on any painted, porcelain or stainless steel parts of your Napoleon Grill. Doing so will scratch the finish. Exterior grill surfaces should be cleaned with warm soapy water while the metal is still warm to the touch. To clean stainless surfaces, use a stainless steel or a non-abrasive cleaner. Always wipe in the direction of the grain. Over time, stainless steel parts discolor when heated, usually to a golden or brown hue. This discoloration is normal and does not affect the performance of the grill. Porcelain enamel components must be handled with additional care. The baked-on enamel finish is glass-like, and will chip if struck. Touch-up enamel is available from your Napoleon Grill dealer.

Maintenance Instructions

We recommend this gas grill be thoroughly inspected and serviced annually by a qualified service person.

At all times keep the gas grill area free from combustible materials, gasoline and other flammable vapors and liquids. Do not obstruct the flow of ventilation and combustion air.



WARNING! Always wear protective gloves and safety glasses when cleaning your grill.



WARNING! Turn off the gas at the source and disconnect the unit before servicing. To avoid the possibility of burns, maintenance should be done only when the grill is cool. A leak test must be performed annually and whenever any component of the gas train is replaced or gas smell is present.



Burner: The burner is made from heavy wall 304 stainless steel, but extreme heat and a corrosive environment can cause surface corrosion to occur. This can be removed with a brass wire brush.



CAUTION! Beware of Spiders.

Spiders and insects are attracted to the smell of propane and natural gas. The burner is equipped with an insect screen on the air shutter, which reduces the likelihood of insects building nests inside the burner but does not entirely eliminate the problem. A nest or web can cause the burner to burn with a soft yellow or orange flame or cause a fire (flashback) at the air shutter underneath the control panel. To clean the inside of the burner, it must be removed from the gas grill: Remove the screw (s) that attach the cross light bracket and the burner to the base. Slide the burner back and upwards to remove. Cleaning: Use a flexible venturi tube brush to clean the inside of the burner. Shake any loose debris from the burner through the gas inlet. Check the burner ports and valve orifices for blockages. Burner ports can close over time due to cooking debris and corrosion; use an opened paperclip to clean them. The ports are easier to clean if the burner is removed from the grill, but it can also be done with the burner installed.

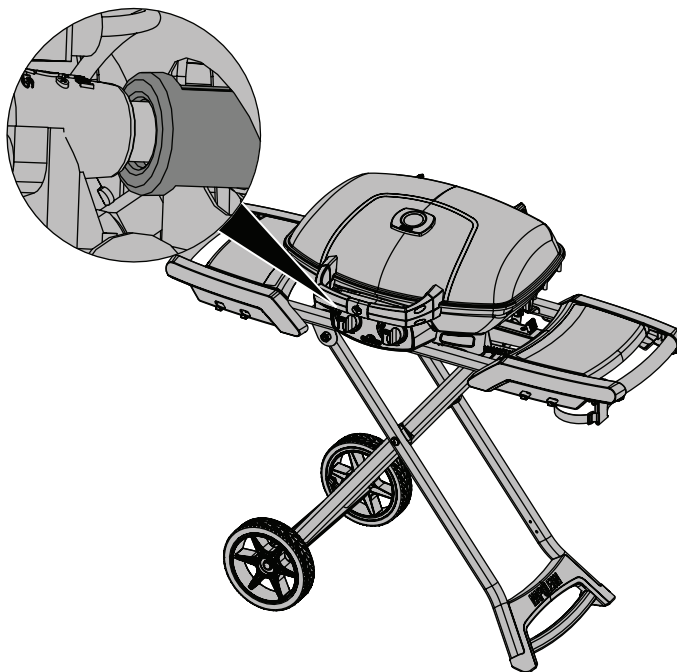
CAUTION! Take care not to enlarge the holes.

Ensure the insect screen is clean, tight, and free of any lint or other debris.

Reinstallation: Reverse the procedure to reinstall the burner. Check that the valve enters the burner when installing. Replace cross light bracket and tighten screws to complete reinstallation.



WARNING! When reinstalling the burner after cleaning it is very important that the valve/orifice enters the burner tube before lighting your gas grill. If the valve is not inside the burner tube a fire or explosion could occur.



WARNING! Hose: Check for abrasions, melting, cuts, and cracks in the hose. If any of these conditions exist, do not use the gas grill. Have the part replaced by your Napoleon Grill dealer or qualified gas installer.

Troubleshooting

Problem	Possible Causes	Solution
Low heat / Low flame when valve turned to high.	Blockage of gas. Improper preheating.	Check for spider webs in the burner or orifice. Preheat grill with main burners on high for 5 to 10 minutes.
Excessive flare-ups/ uneven heat.	Improper preheating. Excessive grease and ash build up in drip pan.	Preheat grill with both main burners on high for 5 to 10 minutes. Clean drip pan regularly. Do not line pan with aluminum foil. Refer to cleaning instructions.
Burners burn with yellow flame, accompanied by the smell of gas.	Possible spider web or other debris, or improper air shutter adjustment.	Thoroughly clean burner by removing. See general maintenance instructions. Open air shutter slightly according to combustion air adjustment instructions. (This must be done by a qualified gas installer.)
Flames lift away from burner, accompanied by the smell of gas, and possibly difficulties in lighting.	Improper air shutter adjustment.	Close air shutter slightly according to combustion air adjustment instructions. (This must be done by a qualified gas installer.)
Burner will not light with the igniter, but will light with a match.	Jet-fire outlet is dirty or clogged.	Clean jet-fire outlet with a soft bristle brush.
Humming regulator.	Normal occurrence on hot days.	This is not a defect. It is caused by internal vibrations in the regulator and does not affect the performance or safety of the gas grill. Humming regulators will not be replaced.
"Paint" appears to be peeling inside lid or hood.	Grease build-up on inside surfaces.	This is not a defect. The peeling is caused by hardened grease, which dries into paint-like shards that flake off. Regular cleaning will prevent this. See cleaning instructions.
Burner output on "high" setting is too low. (Rumbling noise and fluttering blue flame at burner surface.)	Lack of gas. Supply hose is pinched. Dirty or clogged orifice. Spider webs or other matter in venturi tube.	Check gas level in propane cylinder. Reposition supply hose as necessary. Clean burner orifice. Clean out venturi tube.

KEEP YOUR RECEIPT AS PROOF OF PURCHASE TO VALIDATE YOUR WARRANTY.

Ordering Replacement Parts

Warranty Information

MODEL: _____

DATE OF PURCHASE: _____

SERIAL NUMBER: _____

(Record information here for easy reference)

Before contacting the Customer Solutions Department, check the Napoleon Grills Website for more extensive cleaning, maintenance, troubleshooting and parts replacement instructions at www.napoleongrills.com. Contact the factory directly for replacement parts and warranty claims. Our Customer Solutions Department is available between 9 AM and 5 PM (Eastern Standard Time) at 1-866-820-8686 or by e-mail at grills@napoleonproducts.com. To process a claim, we must be provided with the following information:

1. Model and serial number of the unit.
2. Part number and description.
3. A concise description of the problem ('broken' is not sufficient).
4. Proof of purchase (photocopy of the invoice).

In some cases the Customer Solutions Representative could request to have the parts returned to the factory for inspection before providing replacement parts. These parts must be shipped prepaid to the attention of the Customer Solutions Department with the following information enclosed:

1. Model and serial number of the unit.
2. A concise description of the problem ('broken' is not sufficient).
3. Proof of purchase (photocopy of the invoice).
4. Return Authorization Number - provided by the Customer Solutions Representative.

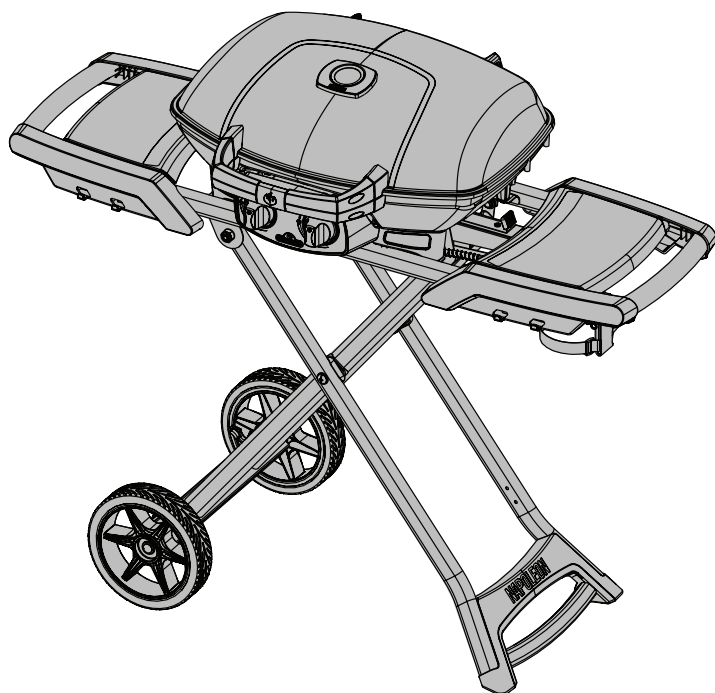
Before contacting Customer Solutions Representative, please note that the following items are not covered by the warranty:

- Costs for transportation, brokerage or export duties.
- Labour costs for removal and reinstallation.
- Costs for service calls to diagnose problems.
- Discoloration of stainless steel parts.
- Part failure due to lack of cleaning and maintenance, or use of improper cleaners (oven cleaner or other harsh chemicals).

Газовый гриль должен эксплуатироваться исключительно вне помещения, в хорошо проветриваемом месте и не должен эксплуатироваться внутри здания, гаража, под навесом или любой другой замкнутой площади.



RU



ОПАСНОСТЬ

ЕСЛИ ПРИСУТСТВУЕТ ЗАПАХ ГАЗА:

- Выключите установку.
- Погасите любое открытое пламя.
- Откройте крышку.
- Если запах не развеивается отойдите от установки и свяжитесь с поставщиком газа или пожарной охраной.



ВНИМАНИЕ

Проводите розжиг данного прибора только после прочтения раздела инструкции, посвященного розжигу. Не храните бензин или другие легковоспламеняющиеся жидкости рядом с данным прибором. Не храните заправленные, но неиспользуемые баллоны СУГ рядом с данным прибором. Несоблюдение данных указаний может привести к ущербу частной собственности, травмам или смерти.

Устанавливающему на заметку: Оставьте данную инструкцию владельцу гриля в качестве справочного материала.



N415-0340CE-E MAR 12.18

Wolf Steel Europe BV
Poppenbouwing 29-31, 4191 NZ Geldermalsen,
CCI No. 51509970, THE NETHERLANDS
info@napoleongrills.nl



www.napoleongrills.com

Президентская Гарантия Napoleon 10 лет с ограничениями



RU

Продукция торговой марки NAPOLEON поставляется с высококачественными компонентами и материалами и собирается обученными работниками, которые гордятся своей работой. Перед упаковкой и отгрузкой квалифицированные работники проводят тщательный осмотр гриля, чтобы убедиться, что Вы, потребитель, получите качественную продукцию, как и ожидаете от компании Napoleon.

Компания NAPOLEON гарантирует отсутствие дефектов материалов и отделки Вашего нового прибора NAPOLEON с даты приобретения в течение указанного периода:

Детали из алюминиевого литья / топка из нержавеющей стали	10 лет
Крышка из нержавеющей стали	10 лет
Крышка, покрытая фарфоровой эмалью	10 лет
Крышка из стали с покраской.....	5 лет полное покрытие, плюс 50% скидка до 10-го года
Трубчатые горелки из нержавеющей стали	5 лет полное покрытие, плюс 50% скидка до 10-го года
Эмалированные чугунные барбекю-решетки	5 лет полное покрытие, плюс 50% скидка до 10-го года
Пластины-испарители из нержавеющей стали или покрытые фарфоровой эмалью	3 года полное покрытие, плюс 50% скидка до 10-го года
Все остальные детали	2 года

*Условия и ограничения

Настоящая Ограниченная гарантия создает гарантийный период, указанный в выше приведенной таблице, для любого прибора, приобретенного у авторизованного дилера NAPOLEON, и дает право первоначальному покупателю на указанное покрытие в отношении любого компонента, замененного в течение гарантийного срока – либо компанией NAPOLEON, либо авторизованным дилером NAPOLEON - при замене компонента указанных приборов, который вышел из строя в ходе обычного использования прибора в личных целях по причине производственного дефекта. Указанная в таблице «50% скидка» означает, что в течение указанного периода компонент предоставляется покупателю со скидкой 50% от обычной розничной цены компонента. Данная Ограниченная гарантия не распространяется на аксессуары или бонусные товары.

Для большей однозначности «обычное использование прибора в личных целях» означает, что продукт установлен лицензированным авторизованным сервисным специалистом или подрядчиком в соответствии с прилагаемыми к прибору инструкциями по установке, а также согласно всем местным и национальным нормам зданий и пожарной безопасности, надлежащим образом проходил техническое обслуживание и не использовался в качестве коммунального бытового прибора или в коммерческих целях.

Аналогичным образом «выход из строя» не включает в себя: чрезмерное пламя, вспышки пламени, вызванные такими условиями окружающей среды, как сильный ветер или несоответствующая вентиляция, царапины, вмятины, коррозию, износ покраски и покрытий, выцветание, вызванные нагревом, абразивными или химическими чистящими средствами или воздействием ультрафиолетовых лучей, скол деталей с фарфоровым эмалевым покрытием или иные повреждения, вызванные неправильным использованием, несчастным случаем, градом, возгоранием жира, отсутствием технического обслуживания, агрессивными средами, такими как соль или хлор, модифицированием прибора, порчей, небрежным обращением или установленными деталями других производителей. Если ухудшение деталей

происходит до той степени, когда их больше невозможно использовать (ржавление или прогорание) в течение срока действия гарантийного покрытия будет предоставлена запасная деталь.

Исключительной ответственностью NAPOLEON, определенной настоящей Ограниченной гарантией, является запасная деталь. Ни при каких обстоятельствах NAPOLEON не несет ответственности за расходы по установке, работе или за любые иные расходы или траты, связанные с переустановкой гарантийной детали, за любой ненамеренный, косвенный или непрямой ущерб, или за любые транспортные расходы, затраты на рабочую силу или экспортные пошлины.

Данная Ограниченная гарантия предоставляется в дополнение к любым правам, предоставленным Вам местным законодательством. Соответственно, данная Ограниченная гарантия не налагает никаких обязательств на NAPOLEON по хранению запасных деталей на складе. В соответствии с наличием деталей NAPOLEON может по своему усмотрению выполнить все обязательства, предоставив клиенту пропорциональный кредит в отношении нового прибора. По окончании первого года в отношении данной Гарантии компания NAPOLEON по своему усмотрению может выполнить в полном объеме все обязательства по данной Гарантии путем возмещения первоначальному покупателю, получившему данную гарантию, оптовой стоимости гарантийной детали/деталей с дефектом.

При подаче каких-либо гарантийных претензий в отношении компании NAPOLEON необходимо вместе с серийным номером и номером модели предоставить чек на купленный товар или его копию.

Компания NAPOLEON оставляет за собой право своими силами или силами своих представителей производить предварительную проверку/осмотр поврежденного/дефектного прибора или детали до удовлетворения любого гарантийного требования. Чтобы получить гарантийное покрытие, Вам необходимо обратиться в Службу поддержки клиентов NAPOLEON или к авторизованному дилеру NAPOLEON.



napoleongrills.com



ВНИМАНИЕ! Несоблюдение данных указаний может привести к ущербу частной собственности, травмам или смерти. Прочитайте и следуйте всем предупреждениям и указаниям, данным в инструкции.

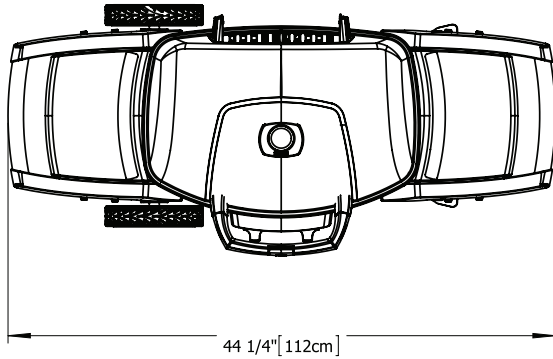
Правила безопасной эксплуатации:

- Данный газовый гриль должен быть собран точно в соответствии с инструкциями в Руководстве по эксплуатации. Если гриль хранился в собранном виде, Вам необходимо ознакомиться с инструкциями по сборке, чтобы убедиться в правильности сборки, а также выполнить необходимые испытания на герметичность перед началом работы с грилем.
- Прочитайте всю информацию, содержащуюся в Руководстве по эксплуатации, перед началом работы с грилем.
- Данный гриль может использоваться только на улице на хорошо проветриваемой территории. Данный гриль нельзя использовать внутри здания, гаража, террасы, беседки или в другом закрытом помещении.
- Данный гриль предназначен только для пропана, бутана или смеси пропана и бутана.
- Не устанавливайте гриль на площадках с сильным ветром. Сильный ветер отрицательно влияет на производительность газового гриля при приготовлении пищи.
- Детали, опечатанные производителем, лицензированным авторизованным сервисным техником или поставщиком, не должны регулироваться пользователем. Ни при каких обстоятельствах не вносите изменения в конструкцию данного газового гриля.
- Не используйте гриль под навесом из горючих материалов.
- Соблюдайте требуемое расстояние между грилем и горючими материалами 18 «(457 мм) от задней панели прибора, 18» (457 мм) от боковых панелей. Оставляйте дополнительное расстояние рекомендуется рядом с виниловым сайдингом или стеклянными поверхностями.
- Шланг подачи газа должен быть закреплен таким образом, чтобы не допустить его соприкосновения с любыми горячими поверхностями гриля, когда он используется или находится в режиме хранения/транспортировки.
- Газовый баллон/катридж должен быть отсоединен, когда газовый гриль не используется.
- Когда газовый баллон/катридж подсоединен к грилю, храните газовый гриль и баллон/катридж на улице на хорошо проветриваемой территории.
- Если вы планируете хранить газовый гриль в помещении, обязательно отсоедините баллон/катридж с пропаном от газового гриля и храните его на улице, на хорошо проветриваемой территории вне доступа для детей.
- Не храните отсоединенный баллон/катридж в здании, гараже или другом закрытом помещении.
- Проверяйте газовый шланг перед каждым использованием. Если есть признаки износа шланга или на шланге есть разрез, замените шланг перед использованием газового гриля при помощи запасного шланга, указанного производителем гриля.
- Не храните запасной баллон/катридж рядом с грилем.
- Не проводите шланг под поддоном - необходимо поддерживать расстояние от шланга до нижней части блока.
- Один раз в год перед началом использования прибора проводите проверку на герметичность, а также каждый раз при замене какой-либо из частей газовой системы.
- Следуйте инструкциям по поджигу при работе с грилем.
- Не зажигайте горелки при закрытой крышке гриля.
- Взрослые и дети должны быть предупреждены об опасности на поверхности высокой температуры. Дети, находящиеся рядом с газовым грилем, должны находиться под присмотром.
- Во время работы не оставляйте гриль без присмотра.
- Не перемещайте гриль, когда он находится в горячем состоянии или включен.
- Следите, чтобы электрический шнур питания и газовый шланг не касались нагретых поверхностей.
- Убедитесь, что пластины-испарители (если они входят в комплект) расположены правильно.
- Регулярно проводите чистку поддона для сбора жира и пластин-испарителей (если они входят в комплект), чтобы избежать накопления жира, что может привести к его горению.
- Не используйте воду, пиво или другие жидкости для контроля уровня пламени.
- Не используйте мойку высокого давления для очистки какой-либо из частей гриля.
- Данный газовый гриль не предназначен для коммерческого использования.
- Данный газовый гриль не предназначен и не должен использоваться в качестве обогревателя!

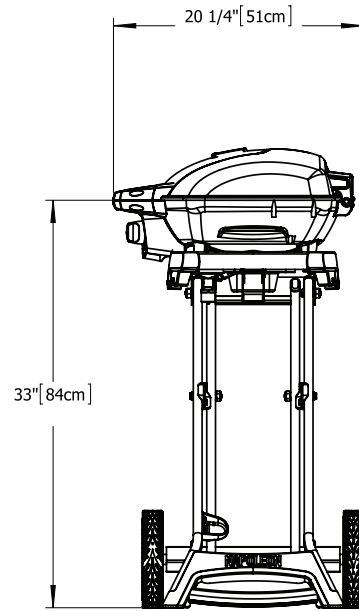
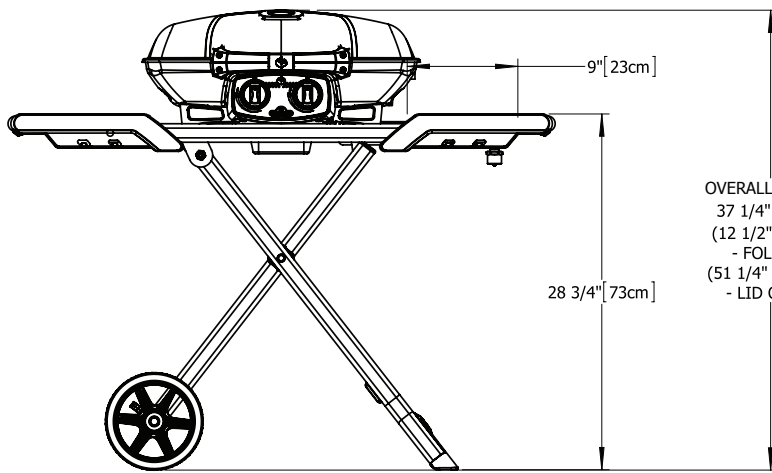
RU

РАЗМЕРЫ

RU



GRILL SIZE: 14 1/2 in X 21 1/2 in (IRREGULAR) = 285 in² (37 cm X 54 cm (IRREGULAR)= 1840 cm²)
 ALL DIMENSIONS ARE APPROXIMATE



Обращайтесь с осторожностью!



ВНИМАНИЕ! Будьте осторожны при обращении и транспортировке гриля, чтобы предотвратить повреждения и смещение внутренних компонентов. Хотя данный гриль и был разработан с учетом возможности перемещения, но несмотря на это, грубое обращение может привести к повреждению внутренних компонентов и гриль будет работать неправильно.

Надлежащая утилизация данного продукта

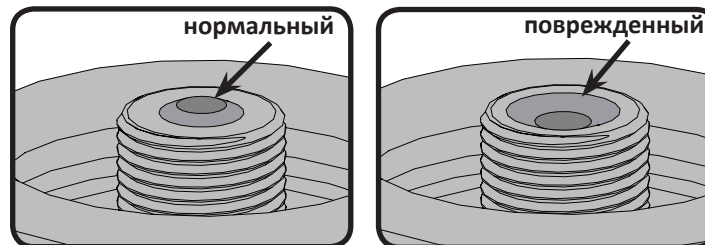
Данная маркировка означает, что данный продукт нельзя утилизировать вместе с бытовыми отходами на территории ЕС. Надлежит утилизировать устройство в соответствии со всеми надлежащими правовыми нормативами для способствования продолжительного повторного использования материальных ресурсов во избежание причинения вреда здоровью людей и окружающей природе от неконтролируемого размещения отходов. Для сдачи устройства, отработавшего свой ресурс, пожалуйста, воспользуйтесь системами сбора отходов или свяжитесь с поставщиком оборудования, у которого устройство было приобретено. Они могут принять устройство для надлежащей утилизации.



Газовый баллон:

Используйте только те газовые баллоны, которые отвечают национальным и региональным стандартам. Для достижения оптимальной производительности гриль должен работать на пропане. Одноразовые баллоны должны соответствовать стандарту EN417 и быть оснащены самогерметизирующимся клапаном Lindal. Емкость баллона должна составлять от 430 до 460 г. Баллоны должны быть заполнены пропаном или смесью пропана и бутана.

- Проверьте резиновое кольцо на регуляторе. В случае его повреждения замените регулятор.
- Никогда не присоединяйте баллон, который не соответствует региональным нормам.
- Одноразовые баллоны всегда должны быть зафиксированы с боковой стороны гриля в вертикальном положении при помощи входящего в комплект крепления.
- Никогда не храните запасной баллон в непосредственной близости от работающего оборудования. Баллоны не должны подвергаться воздействию высоких температур и прямых солнечных лучей.
- Никогда не перетягивайте баллон, так как чрезмерное перетягивание может привести к повреждению разъема регулятора или разъема баллона. Это может привести к утечке или снижению поступления потока газа в устройство.

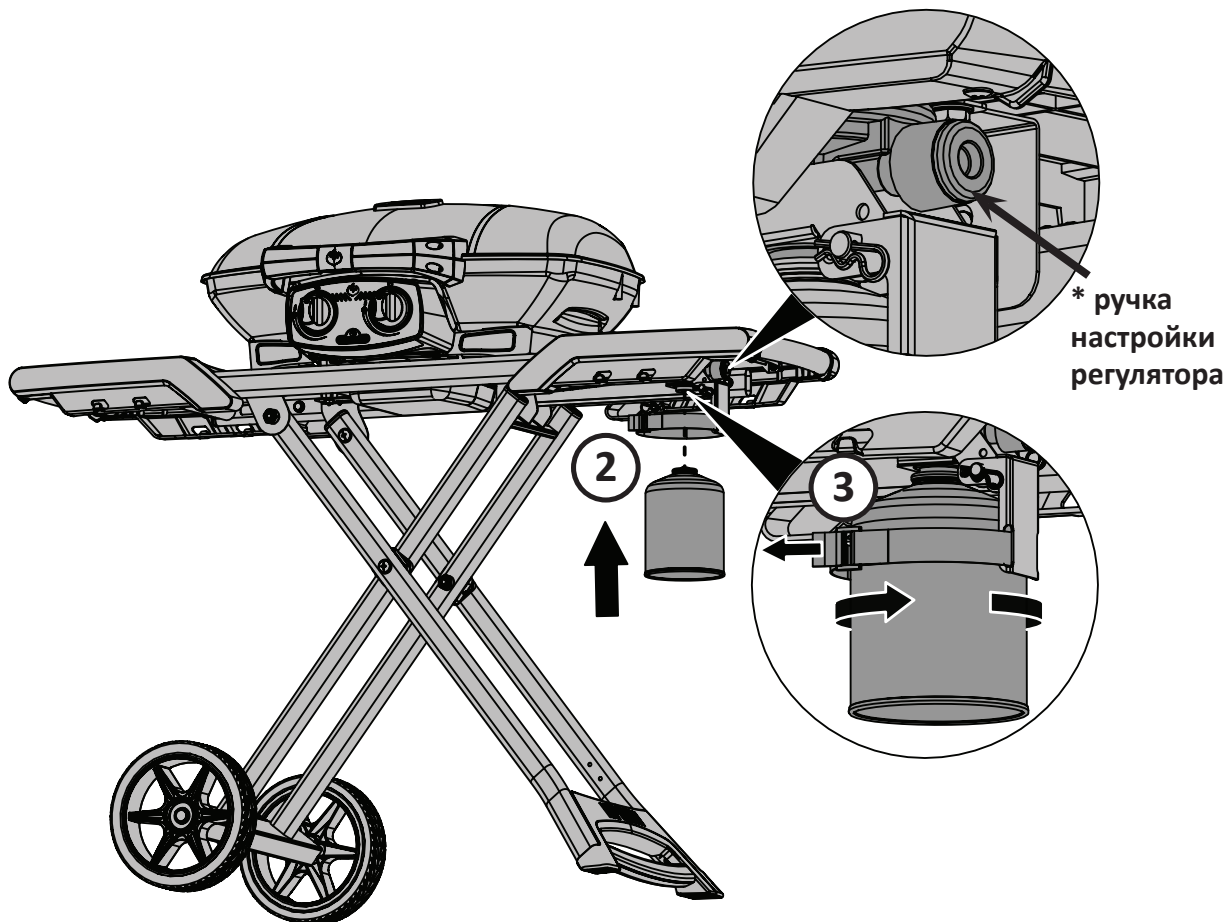


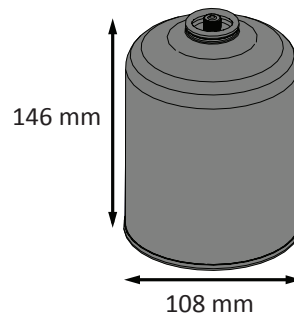
ВНИМАНИЕ! Для предотвращения попадания пыли и грязи в клапан, когда баллон не используется, необходимо надеть пылезащитный колпачок.

ВНИМАНИЕ! Прочитайте инструкцию по применению перед использованием баллона. Использование помятого или ржавого баллона может быть опасным. Выбросите баллон, если в зоне подключения его есть частицы ржавчины или грязи.

Подключение баллона: Убедитесь, что шланг регулятора установлен без загибов. Баллон имеет неподвижное соединение, которое не допускает прохождение газа до тех пор, пока не будет достигнуто необходимое плотное соединение. Снимите крышку или заглушку с баллона. Для установки баллона просто прикрутите его к регулятору по часовой стрелке. Затяните вручную, не используйте инструменты для затягивания.

Перед использованием гриля проверьте герметичность всех соединений. Испытание на герметичность должно проводиться один раз в год, а также каждый раз при подключении нового баллона или при замене какой-либо из частей газовой системы. Одноразовые баллоны всегда должны быть зафиксированы с боковой стороны гриля в вертикальном положении при помощи входящего в комплект крепления. Это предотвращает попадание жидкого пропана/бутана в регулятор, что может привести к возгоранию и повреждению регулятора.





* Для правильной работы убедитесь, что ручка настройки регулятора затянута вручную (по часовой стрелке).



ВНИМАНИЕ!

- Не прокладывайте шланг под поддоном.
- Убедитесь, что все соединения затянуты при помощи двух гаечных ключей. Не используйте тефлоновую ленту или трубную смазку для соединений шланга.
- Убедитесь, что шланг не вступает в контакт с горячими поверхностями, это может привести к его расплавлению и протечке, что может вызвать возгорание.

Газовый шланг:

- Если шланг и регулятор давления не включены производителем в комплектацию, необходимо использовать только те шланги и регуляторы давления, которые отвечают национальным и региональным стандартам.
- Убедитесь, что шланг не вступает в контакт с жиром, другими горячими жидкостями или горячими поверхностями на корпусе прибора.
- Регулярно проверяйте шланг. В случае разрыва, плавления или износа, замените шланг перед началом использования прибора.
- Шланг не должен быть длиннее 1,5 метров.
- Убедитесь, что шланг установлен без загибов и изломов.
- Замените шланг до истечения срока годности, указанного на шланге.

Технические данные:

Приведенная ниже таблица содержит основные значения для прибора.

Горелка	Размер отверстия		(Брутто) мощность (общ.)		Расход газа (общ.)	
	I	II	I	II	I	II
	#69 (0.74 мм)	#73 (0.61 мм)	4.1 кВт	4.1 кВт	301 г/ч	301 г/ч

Сертифицированные газы / давление – Проверьте данные, указанные на табличке с техническими данными, чтобы убедиться, что они соответствуют следующему списку.

категория газа	I ³ В/Р(30)	I ³ +(28-30/37)	I ³ В/Р(50)
Размеры сопла (смотрите выше)	I	I	II
Газы/ давление	Бутан и пропан при 30 Мбар	Бутан 28-30 Мбар, пропан 37 Мбар	Бутан и пропан при 50 Мбар
Страны	BE, BG, CY, DK, EE, FI, FR, GB, HR, HU, IS, IT, LT, LU, MT, NL, NO, RO, SE, SI, SK, TR	BE, CH, CY, CZ, ES, FR, GB, GR, IE, IT, LT, LU, LV, PT, SK, SI	AT, CH, DE, SK

Не нарушайте целостность и не модифицируйте регулятор давления. Используйте только те регуляторы давления, которые обеспечивают давление, указанное в приведенной выше таблице. Для замены используйте только указанные производителем регуляторы.

Инструкции по испытаниям на герметичность



ВНИМАНИЕ! Проверка герметичности должна проводиться ежегодно, каждый раз при подключении газового баллона или при замене элемента газовой системы.



ВНИМАНИЕ! Запрещено использовать открытое пламя для проверок на наличие утечки газа. Убедитесь, что рядом с грилем отсутствуют искры или очаги открытого пламени. Искры или открытое пламя может привести к взрыву, ущербу частной собственности, тяжёлым травмам или смерти.

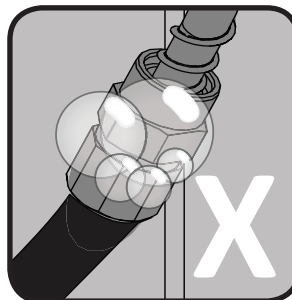
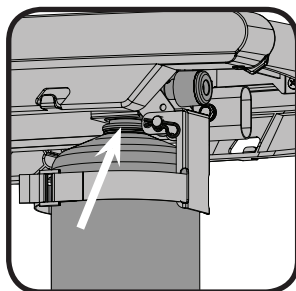
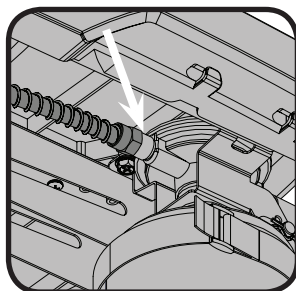
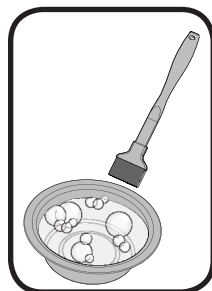
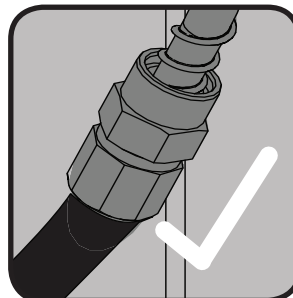
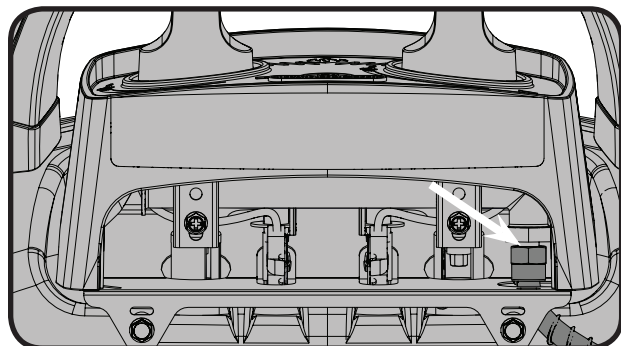


Испытание на герметичность: Необходимо провести испытание перед первым включением. Проводите испытания на герметичность ежегодно или при каждой замене газового баллона. Запрещено курение во время проведения испытания, также следует удалить все возможные источники возгорания. Смотрите схему испытания на герметичность для конкретных зон, подлежащих проверке. Поверните ручку горелки в верхнее положение. Откройте газоподающий вентиль.

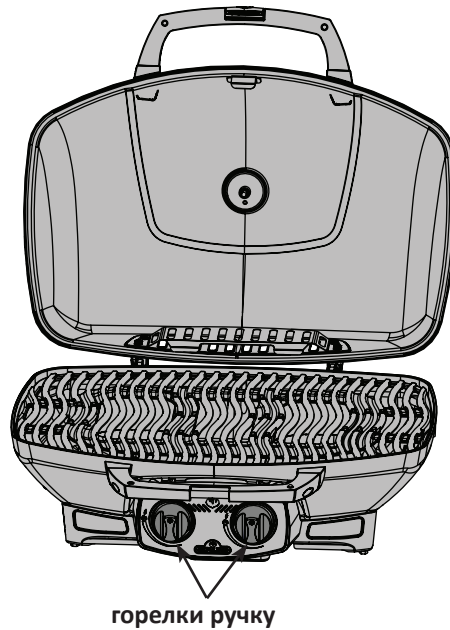
Нанесите мыльный раствор (вода и жидкое мыло в соотношении 50/50) на все соединения регулятора, шланга, коллектора и вентиляей.

Пузыри означают наличие течи. Либо затяните соединение, либо обратитесь в отдел работы с клиентами Napoleon или квалифицированным специалистам для замены деталей.

Если утечку невозможно устранить, **немедленно выключите подачу газа**, отключите баллон и обратитесь к квалифицированным специалистам. Не пользуйтесь грилем до устранения утечки.



Указания по розжигу



RU



ВНИМАНИЕ! Откройте крышку гриля.

ВНИМАНИЕ! Убедитесь, что все ручки горелок находятся в выключенном положении. Присоедините одноразовый баллон.

Зажигание главной горелки

1. Откройте крышку гриля.

2. Нажмите и поверните ручку любой из главных горелок на максимум. Это действие приведет к поджигу выбранной горелки.

3. Если запальник не зажегся, немедленно поверните ручку горелки в исходное положение «Выкл» и повторите Шаг 2 несколько раз.

4. Если горелка не зажигается в течение 5 секунд, поверните ручку горелки в положение «Выкл» и подождите 5 минут, чтобы выделившийся газ ушел, повторите Шаги 2 и 3 или подожгите при помощи спички.

5. При поджиге гриля спичкой, зажмите спичку в прилагающемся держателе для спичек. Опустите зажженную спичку через решетку гриля, одновременно поворачивая ручку соответствующей горелки на максимум.





Рекомендации по приготовлению пищи

ВНИМАНИЕ! Не используйте гриль под натяжными навесами. Нарушение этих правил может привести к пожару или травмам.

ОПАСНО! Не ставьте гриль на хранение и не транспортируйте его сразу после использования. Перед его перемещением или хранением убедитесь, что гриль холодный на ощупь. Нарушение может привести к пожару с нанесением ущерба имуществу, травмами или смертью.

Первый розжиг: Когда гриль включён в первый раз присутствует слабый запах. Это нормальное временное явление вызванное выжиганием внутренней покраски и смазочных веществ, задействованных при производстве, и не случится повторно. Оставьте горелки включенными примерно на 30 минут.

Использование главной горелки: Для подрумянивания Ваших блюд рекомендуем предварительно прогревать гриль, установив все главные горелки в максимальное положение, с закрытой крышкой в течение примерно 10 минут. Продукты, которые готовятся быстро (рыба, овощи), можно готовить на гриле с открытой крышкой. Приготовление с закрытой крышкой обеспечивает более высокую и равномерную температуру, что позволяет сократить время приготовления и прожарить мясо более равномерно. Продукты, которые готовятся более 30 минут, такие как жареное мясо, могут быть приготовлены «непрямым» гриллингом (с горелкой, с пламенем, направленным в противоположную от места размещения продуктов сторону). При приготовлении постного мяса, например, куриных грудок или постной свинины, перед прогревом, решетки можно смазать растительным маслом для уменьшения прилипания. В процессе приготовления мяса высокой степени жирности может возникать пламя. Для предотвращения такого эффекта обрежьте жир или снизьте температуру. Если пламя все-таки возникло, отодвиньте мясо в сторону и уменьшите жар. Оставьте крышку открытой. Подробные инструкции содержатся в книге *Your All Season Grill* от Napoleon.

Инструкция по чистке

ВНИМАНИЕ! При обслуживании гриля всегда надевайте защитные перчатки и очки.

ВНИМАНИЕ! Во избежание получения ожогов технический осмотр гриля следует проводить только тогда, когда он остынет. Избегайте контакта с горячими поверхностями без защитных средств. Убедитесь, что горелки выключены. Чистку гриля проводите в таком месте, где чистящие вещества не нанесут вред окружающей среде. не чистите части газового гриля чистящими средствами для духовки. Для чистки кулинарных решеток и других частей гриля не пользуйтесь посудомоечной машиной. Соусы для барбекю и соль могут быть коррозионными и привести к быстрому износу компонентов газового гриля, при отсутствии регулярной чистки.

ПРИМЕЧАНИЕ: Нержавеющая сталь имеет тенденцию к окислению или выцветанию в присутствии хлоридов и сульфидов, в особенности в прибрежных районах с тёплой атмосферой и повышенной влажностью, а также рядом с бассейнами и джакузи. Эти пятна похожи на ржавчину, но их легко удалить, и, несложно предотвратить их появление. Для предотвращения и удаления пятен чистите все поверхности из нержавеющей стали каждые 3-4 недели, или согласно необходимости, пресной водой и / или чистящим средством для нержавеющей стали.

Чугунные решетки: Чугунные барбекю-решетки, входящие в комплектацию Вашего нового гриля, превосходно удерживают и распределяют тепло. Регулярное смазывание решеток обеспечит защитное покрытие, которое поможет избежать коррозии и увеличить антипригарные свойства решеток.

Первоначальное использование: Вручную помойте решетки с использованием мягкого средства для мытья посуды, чтобы удалить все вещества, оставшиеся в процессе производства (не используйте посудомоечную машину). Сполосните горячей водой и насухо вытрите мягкой тряпочкой. Не оставляйте остатков влаги на чугуне.

Смазывание: При помощи сухой тряпки распределите растительный маргарин по всей поверхности решетки так, чтобы покрыть все отверстия и углы. Не используйте соленые жиры, такие как соленое масло или соленый маргарин. Предварительно разогрейте гриль в течение 15 минут, затем положите смазанную решетку на гриль. Поставьте ручки горелки в среднее положение при закрытой крышке. Оставьте решетки прогреваться на полчаса. Выключите горелки и отключите подачу газа. Решетки должны остыть. Эту процедуру следует повторять несколько раз в течение сезона, хотя ежедневное ее применение не обязательно (следуйте инструкциям по ежедневному уходу, приведенным ниже).

Ежедневное использование: Перед предварительным прогревом и очисткой при помощи щетки из медной проволоки, покройте всю поверхность решеток растительным маргарином. Разогрейте гриль и удалите загрязнения при помощи щетки из медной проволоки.



Очистка внутренней части гриля: Снимите барбекю-решетки. Используйте щетку со щетиной из медной проволоки для очистки внутренних поверхностей корпуса и крышки от грязи. Сметите весь мусор, образовавшийся внутри газового гриля, в съемный поддон для сбора жира.

Поддон для сбора жира: Накапливающийся жир может стать причиной возникновения пожара. Регулярно очищайте поддон для того, чтобы избежать накопления жира. Жир и лишний сок попадают в поддон, расположенный под газовым грилем и собираются в нем. Для очистки поддона, выньте его из гриля. Не используйте для очистки алюминиевую фольгу, песок или другие материалы, которые задерживают стекание жира. Поддон можно очищать при помощи лопатки-шпателя или скребка.



ВНИМАНИЕ! Перед перевозкой гриля в вертикальном положении убедитесь, что поддон для сбора жира пуст и чист.

Чистка поверхности гриля: Не пользуйтесь абразивными чистящими средствами или стальной проволочной щеткой для чистки керамических деталей или деталей из нержавеющей стали гриля Napoleon. Подобные методы уборки повреждают покрытие. Внешние поверхности гриля надлежит чистить теплой мыльной водой, пока металл еще не окончательно остыл. Для чистки нержавеющей поверхности пользуйтесь чистящим средством для нержавеющей стали или неабразивным чистящим средством. Всегда вытирайте поверхность по направлению зерен. Со временем детали из нержавеющей стали теряют окраску и приобретают золотой или коричневый оттенок. Потеря цвета не влияет на работоспособность гриля. Обращайтесь с деталями с керамической эмалью с особой осторожностью. Глазурованное декоративное покрытие, закреплённое горячей сушкой, напоминает стекло, и от удара может расколоться. При необходимости, Napoleon производит ремонт керамического покрытия.

Рекомендации по техническому обслуживанию

Мы рекомендуем вызвать сертифицированных специалистов для тщательной проверки и ежегодного обслуживания.

Не допускайте наличия горючих материалов, бензина и других легко воспламеняющихся жидкостей и горючих испарений вблизи газового гриля. Не закрывайте доступ для потока вентиляции и воздуха для сжигания.



ВНИМАНИЕ! Во время проведения чистки гриля необходимо носить защитные перчатки и защитные очки.



ВНИМАНИЕ! Перед проведением чистки обязательно выключение установки и отключения подачи газа. Во избежание получения ожогов техническое обслуживание надлежит проводить после того, как гриль полностью остыл. Проводите испытания на герметичность ежегодно, при каждой замене газового баллона или при наличии запаха газа.



Горелка: Горелка изготовлена из толстостенной нержавеющей стали 304, однако высокая температура и агрессивная среда могут вызвать появление ржавчины на ее поверхности. Ее можно удалить при помощи щетки с щетиной из медной проволоки.



ВНИМАНИЕ! Остерегайтесь пауков.

Пауков и насекомых может привлекать запах пропана и природного газа. Воздушная заслонка горелки оснащена экраном от насекомых, который снижает вероятность того, что насекомые строят гнезда внутри горелки, но в то же время это полностью проблему не решает. О наличии гнезда или паутины может свидетельствовать желтое или оранжевое пламя горелки или проскакивание пламени (вспышки) в заслонке под панелью с ручками горелок. Чтобы очистить внутреннюю часть горелки, ее необходимо снять с газового гриля: снимите винт, который крепит рассеиватель огня и горелку к основе. Винтов может быть несколько. Подвигайте горелку назад и вверх, чтобы её можно было снять.

Очистка: Используйте гибкий ершик для трубки Вентури для очистки внутренней части горелки. Стряхните частички грязи с горелки в отверстие для подвода газа. Проверьте отверстия горелок и вентилях на наличие загрязнений. Отверстия горелки могут быть закрыты частичками пищи или ржавчиной; используйте скрепку для бумаг, чтобы их прочистить. Отверстия проще чистить, если горелка снята с гриля, но это можно сделать и с установленной на гриле горелкой.

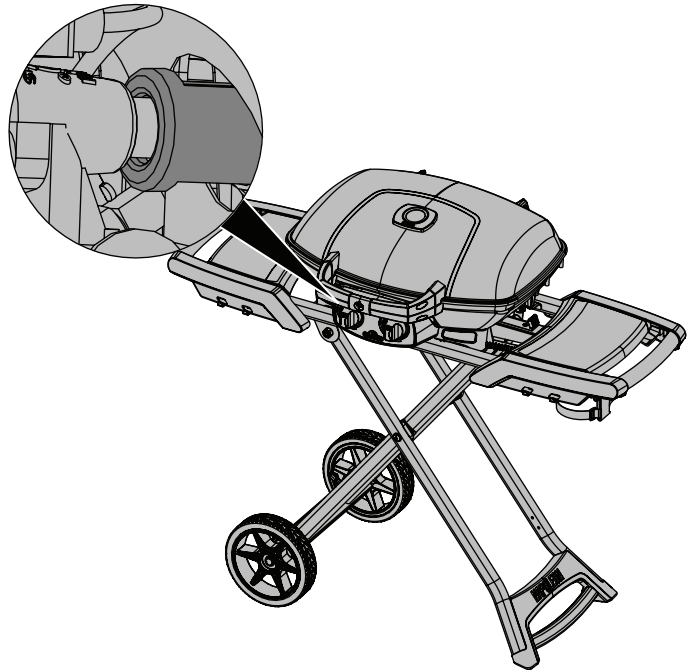
ВНИМАНИЕ! Будьте внимательны – не увеличивайте отверстия.

Убедитесь, что экран от насекомых чист, плотно натянут и свободен от пуха или другой грязи.

Повторная установка: Проведите ту же процедуру в обратном порядке, чтобы установить горелку. Во время установки убедитесь, что клапан входит в горелку. Снова установите рассеиватель огня и затяните винты для завершения установки.



ВНИМАНИЕ! При установке горелки после чистки обратите особое внимание на надлежащее положение клапана / сопла по отношению к горелке перед включением вашего газового гриля. Если вентиль расположен ненадлежащим образом (вне трубы горелки), существует опасность взрыва или пожара.



ВНИМАНИЕ! Шланг: Проверьте шланг на наличие деформации, образования трещин или порезов. В случае, если какие-либо из вышеперечисленных дефектов присутствуют не пользуйтесь газовым грилем. Обратитесь к представителям Napoleon или квалифицированным специалистам для замены деталей.

Устранение неисправностей:

Проблема	Возможные причины	Решение
Низкое тепловыделение / низкое пламя	Заблокирована подача газа Неправильный предварительный прогрев Замерзание баллона	Проверьте наличие паутин на горелке или выходном отверстии Предварительно прогрейте гриль с включенными на максимум горелками в течение 5 - 10 минут При использовании в течение длительного времени или в случае, когда баллон заканчивается, или при низкой наружной температуре воздуха, баллонам весом 1 фунт не хватает площади поверхности, чтобы жидкий пропан превращался в газ. Установите новый газовый баллон весом 1 фунт
Чрезмерное пламя / неравномерный нагрев	Неправильный предварительный прогрев Чрезмерное скопление жира и золы в поддоне для золы/сбора жира	Предварительно прогрейте гриль с двумя работающими главными горелками в течение 5-10 мин Регулярно очищайте поддон для золы/сбора жира. Не покрывайте поддон алюминиевой фольгой. Соблюдайте инструкции по чистке
Горелки горят желтым пламенем, присутствует запах газа	Возможно наличие паутины или другой грязи, или неправильное положение заслонки	Тщательно очистите горелку, сняв ее. Соблюдайте инструкции по техническому обслуживанию. Немного откройте заслонку в соответствии с инструкциями по настройке воздуха для горения. (этим должен заниматься квалифицированный газовщик)
Пропадание пламени, присутствует запах газа, возможно сопровождается трудностями при поджиге	Неправильная настройка заслонки	Слегка прикройте заслонку в соответствии с инструкциями по настройке воздуха для горения (этим должен заниматься квалифицированный газовщик)
Горелка не зажигается поджигателем, но загорается от спички	Отверстие для струи газа грязное или забилось	Очистите отверстие для струи газа при помощи щетки с мягкой щетиной
Кажется, что краска начинает отслаиваться с внутренней стороны колпака и крышки	Жир скапливается на внутренних поверхностях	Это не является дефектом. Внутренняя поверхность колпака и крышки выполнена из нержавеющей стали, поэтому не будет отслаиваться. Отслаиваться начинает затвердевший жир, при этом его высохшие частицы похожи на слезающую краску. Предотвратить это явление поможет регулярная чистка. см. инструкции по чистке.
Слишком маленькое пламя, когда горелка установлена на максимум. (грохочущий звук и трепещущее синее пламя на поверхности горелки)	Недостаток газа Пережимание шланга подачи газа Грязное или забитое отверстие Паутина и другой мусор в трубке Вентури	Проверьте уровень газа в баллоне с пропаном В случае необходимости поменяйте положение шланга Очистите отверстия горелки Очистите трубку Вентури

ХРАНИТЕ ТОВАРНЫЙ ЧЕК КАК ДОКАЗАТЕЛЬСТВО ПОКУПКИ, ПОДТВЕРЖДАЮЩЕЕ ВАШЕ ГАРАНТИЙНОЕ СОГЛАШЕНИЕ

Заказ запасных деталей

Гарантийная информация

МОДЕЛЬ: _____

ДАТА ПРИОБРЕТЕНИЯ: _____

СЕРИЙНЫЙ НОМЕР: _____

(Дайте информацию для упрощения процедуры обработки запроса)

Перед тем как связываться с отделом работы с клиентами, проверьте сайт Napoleon (расположенный по адресу www.napoleongrills.com) на предмет указаний по более интенсивной чистке, техническому обслуживанию, обнаружению и устранению неполадок и замены деталей. Напрямую свяжитесь с заводом для замены деталей и проведения работ по гарантии. Свяжитесь напрямую с дистрибьютером в вашей стране (перечень дистрибьютеров с контактами указан в руководстве пользователя поставляемом вместе с грилем) по вопросам гарантийных случаев и предоставлению запасных частей.

Данные детали в отдел по работе с клиентами высылаются оплаченной посылкой со следующей информацией:

1. Модель и серийный номер установки.
2. Номер детали и её описание.
3. краткое описание неисправности (например, 'деталь сломалась' не является таковым)
4. Доказательство владения (фотокопия реквизитов).

В некоторых случаях представитель отдела работы с клиентами может попросить вернуть деталь на завод для проведения осмотра перед заменой детали. Данные детали высылаются с предварительной в отдел работы с клиентами со следующей приложенной информацией:

1. Модель и серийный номер установки.
2. Краткое описание неисправности (например, 'деталь сломалась' не является таковым)
3. Доказательство владения (фотокопия реквизитов).
4. Номер разрешения на возврат – предоставляется представителем отдела работы с клиентом.

Перед тем, как связываться с отделом работы с клиентами, пожалуйста, примите к сведению, что на следующие расходы не распространяется гарантия.

- Издержки по перевозке, фрахтовой комиссии или экспортным сборам.
- Оплата работ по демонтажу и установке.
- Оплата звонков в техническую поддержку.
- Потеря окраски деталей из нержавеющей стали.
- Неисправность детали, связанная с чисткой и уходом, или использованием ненадлежащих чистящих средств (посудомоечных машин).

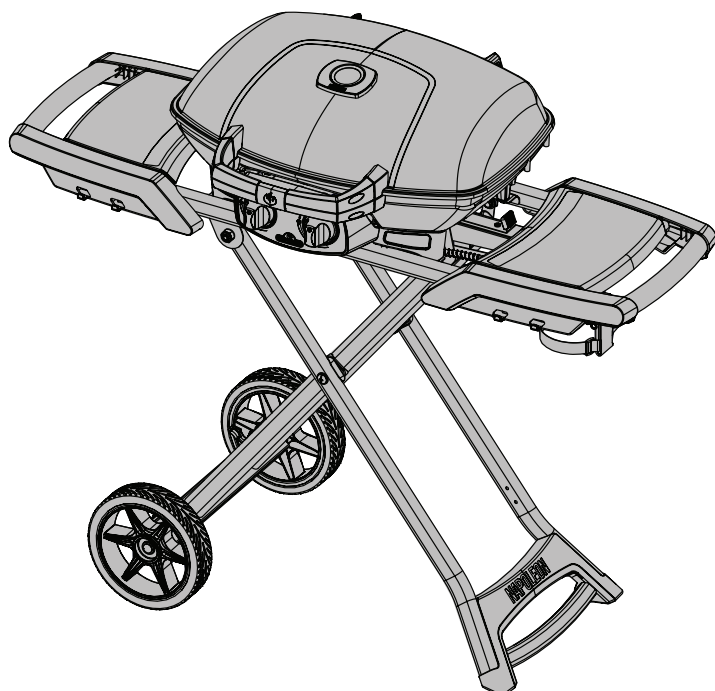
Tento plynový gril lze použít pouze venku, nebo v dobře větraném prostoru a nesmí být použit uvnitř budovy, garáže, stíněné verandy, altánu nebo v jiném uzavřeném prostoru.



Použijte štítek se sériovým číslem z kartonu



Výrobní číslo:
XXXXXX000000
Model č.



NEVYHAZUJTE

TQ285X

CZ



NEBEZPEČÍ

POKUD UCÍTÍTE PLYN:

- Vypněte plyn u spotřebiče.
- Uhaste otevřený plamen.
- Otevřete víko.
- Pokud zápach přetrvává, držte se dál od spotřebiče a ihned zavolejte svého dodavatele plynu nebo hasiče.



VAROVÁNÍ

Nesnažte se spouštět tento spotřebič bez přečtení pokynů v tomto návodu.

Neskladujte ani nepoužívejte benzín nebo jiné hořlavé kapaliny nebo výpary v blízkosti tohoto ani žádného jiného zařízení. Plynová láhev, která se nepoužívá, nesmí být uložena v blízkosti tohoto nebo jiného zařízení. Pokud informace v tomto návodu nejsou přesně dodržovány, může dojít k požáru nebo nebezpečí výbuchu a způsobit poškození majetku, zranění nebo smrt.

Oznámení k montáži: Zanechte tento návod s grilem pro budoucí použití.



N415-0340CE-E MAR 12.18

Wolf Steel Europe BV
Poppenbouwing 29-31, 4191 NZ Geldermalsen,
CCI No. 51509970, THE NETHERLANDS
info@napoleongrills.nl

www.napoleongrills.com

Napoleon Presidentská 10-letá Omezená Záruka



Výrobky NAPOLEON jsou navrženy s vynikajícími součástmi a materiály a jsou sestaveny školnými řemeslníky, kteří se pyšní svou prací. Tento produkt byl před balením a přepravou důkladně prohlédnut kvalifikovaným technikem, aby se zajistilo, že zákazník obdrží kvalitní výrobek, který od společnosti NAPOLEON očekáváte.

NAPOLEON ručí za komponenty Vašeho nového produktu Napoleon z hlediska vady materiálu a zpracování od data prodeje po následující období:

Hliníkové kryty / nerezová konstrukce	10 let
Nerezové víko	10 let
Smaltované víko	10 let
Lakované ocelové víko	5 let plné krytí, plus do 10.roku sleva 50% na díl
Nerezové trubcové hořáky	5 let plné krytí, plus do 10.roku sleva 50% na díl
Smaltované litinové rošty	5 let plné krytí, plus do 10.roku sleva 50% na díl
Nerezové nebo smaltované kryty hořáků	3 roky plné krytí, plus do 10.roku sleva 50% na díl
Všechny ostatní díly	2 roky

*Podmínky a omezení

Tato omezená záruka vytváří záruční lhůtu, jak je uvedena ve výše uvedené tabulce, pro produkt zakoupený prostřednictvím autorizovaného prodejce NAPOLEON a opravňuje původního kupujícího ke stanovenému krytí v záruční době, a to buď společností NAPOLEON nebo autorizovaným prodejcem společnosti NAPOLEON, aby nahradil součást takového výrobku, který selhal při běžném soukromém použití v důsledku výrobní vady. "50% sleva" uvedená v tabulce znamená, že součástka je k dispozici kupujícímu za 50% slevu z běžné maloobchodní ceny komponentu v uvedeném období. Tato omezená záruka se nevztahuje na příslušenství nebo bonusové položky.

Na vysvětlenou "běžná soukromá potřeba" výrobku znamená, že výrobek: byl nainstalován autorizovaným servisním technikem nebo dodavatelem v souladu s pokyny k instalaci, které jsou součástí výrobku a všemi místními a národními předpisy pro budovy a protipožární ochranu; byly řádně dodrženy; a výrobek nebyl používán jako komunální zařízení nebo v komerční sféře.

Záruka také nezahrnuje: přetopení, nestandardní hoření způsobené okolními podmínkami, jako je silný vítr nebo nedostatečná ventilace, škrábance, promáčkliny, korozi, poleptání nátěrů, zbarvení způsobené teplem, abrazivními nebo chemickými čisticími prostředky nebo působením UV záření, rozbití porcelánových či smaltovaných částí nebo škody způsobené nesprávným použitím, nehodou, krupobitím, hašením požáru, nedostatečnou údržbou, nevhodným působením či prostředím jako je sůl nebo chlor, změny, úpravy, zanedbání nebo části instalované od jiných výrobců. Pokud dojde k poškození částí, které by již nebylo možno používat (proreznutí nebo prohoření) během doby trvání oprávněné záruky, bude poskytnut náhradní díl.

Náhradní díl je výhradní odpovědností společnosti NAPOLEON definované touto omezenou zárukou. V žádném případě NAPOLEON nenes odpovědnost za instalaci, práci nebo jiné náklady nebo výdaje související s opětovným instalováním dílu v záruce, za jakékoli vedlejší, následné nebo nepřímé škody nebo za přepravní poplatky, náklady na pracovní sílu nebo vývozní cla.

Tato omezená záruka je poskytována vedle všech práv, která vám jsou poskytována místními zákony. Proto tato omezená záruka nestanoví společnosti NAPOLEON žádnou povinnost udržovat díly na skladě. Na základě dostupnosti náhradních dílů může společnost NAPOLEON podle svého uvážení splnit všechny povinnosti tím, že poskytne zákazníkovi poměrný kredit k novému produktu. Po prvním roce s ohledem na tuto omezenou záruku může společnost NAPOLEON podle svého uvážení plně splnit všechny závazky vyplývající z této záruky tím, že vrátí původnímu oprávněnému kupujícímu velkoobchodní cenu jakékoliv vadné části v záruce.

Prodejní doklad nebo kopie budou vyžadovány společně se sériovým číslem a číslem modelu při podávání záručních nároků společnosti NAPOLEON.

Společnost NAPOLEON si vyhrazuje právo nechat svého zástupce prověřit jakýkoli výrobek nebo součást před tím, než uhradí nárok na záruku. Obratě se na svého autorizovaného prodejce Napoleon popřípadě přímo na servis dovozce NAPOLEON, abyste získali nárok na záruční plnění.

Pozn.: doživotní zárukou se myslí neomezená doba, po kterou bude produkt používán prvním a původním majitelem resp. kupujícím



napoleongrills.com

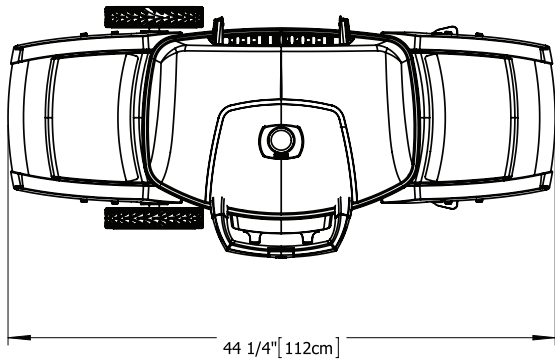


VAROVÁNÍ! Nedodržení těchto pokynů může mít za následek poškození majetku, riziko úrazu nebo smrt. Přečtěte si a dodržujte všechna varování a pokyny uvedené v této příručce před operací s grilem.

Postupy bezpečné obsluhy

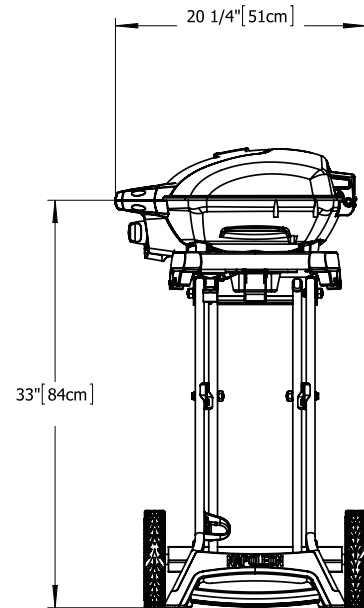
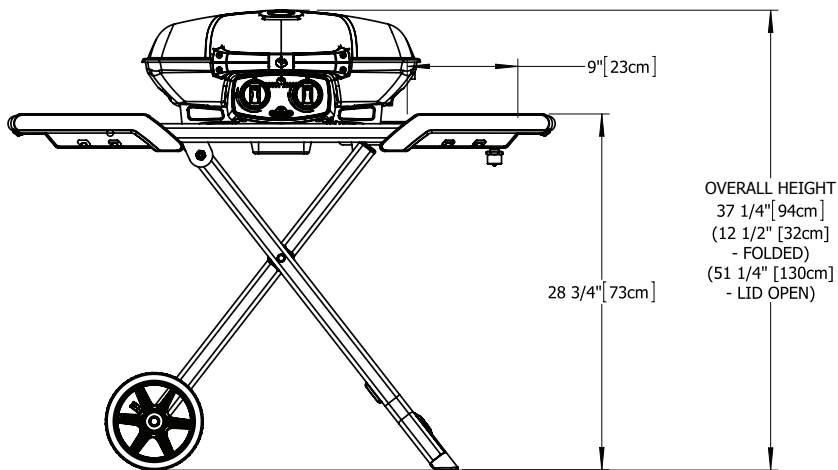
- Tento plynový gril musí sestavován přesně podle instrukcí v manuálu. Pokud byl gril skladován sestavený, je potřeba před jeho použitím zkontrolovat správnost jeho sestavení podle instrukcí a provést test těsnosti.
- Před používáním plynového grilu si přečtěte celý manuál s instrukcemi.
- Tento plynový gril může být používán pouze ve venkovních, dobře větraných prostorách a nesmí být používán uvnitř budov, garáží, zastřešených verand, altánků nebo jiných uzavřených prostor.
- Neumisťujte gril do větrného prostředí. Vysoký vítr nepříznivě ovlivňuje výkonost grilu.
- Neupravujte gril pod hořlavými materiály. Součásti utěsněné výrobcem, technikem autorizovaného servisu nebo dodavatelem nesmí být obsluhovány uživatelem.
- Nepracujte s grilem pod hořlavými konstrukcemi.
- Udržujte gril v dostatečné vzdálenosti od hořlaviny (457 mm od zadní části, 457 mm od bočních stran grilu). Tato vzdálenost je také doporučena v souvislosti s vinylovými materiály a skleněnými tabulkami.
- Hadice pro přívod plynu musí být zapojena tak, aby se nedotýkala žádných horkých povrchů grilu při jeho používání, skladování nebo převozu.
- Pokud gril nepoužíváte, zásobník plynu musí být od grilu odpojen.
- Jakmile je zásobník plynu připojen k zařízení, gril i zásobník musí být skladovány ve venkovních, dobře větraných prostorách.
- Když budete plynový gril skladovat uvnitř, je potřeba od něho odpojit zásobník plynu a ten musí být skladován ve venkovních, dobře větraných prostorách a mimo dosah dětí. Odpojený zásobník plynu nesmí být uchováván v budovách, garážích nebo jiných uzavřených prostorách.
- Před každým použitím grilu zkontrolujte hadici pro přívod plynu. Pokud na ní objevíte známky nadměrného opotřebení nebo pokud je hadice porušená, před používáním ji vyměňte. Použijte náhradní hadici určenou výrobcem grilu.
- Nikdy neskladujte náhradní zásobník plynu pod grilem nebo v jeho blízkosti.
- Nesměřujte hadici pod misku na odkápávání tuku – dodržujte bezpečné vzdálenosti od dna jednotky.
- Zkoušku těsnosti provádějte před prvním použitím, každý rok nebo vždy po výměně komponentů k plynu.
- Při používání grilu následujte instrukce k zapalování.
- Nezapalujte hořáky se zavřeným víkem.
- Dospělí a zvláště děti by měly dávat pozor v okolí vysoce hořlavých povrchů. V okolí grilu by měly být děti pod dozorem.
- Pokud je gril v provozu, nenechávejte ho bez dozoru.
- Pokud je gril v provozu, nehýbejte s ním.
- Udržujte elektrické kabely a hadice pro přívod plynu v dostatečné vzdálenosti od horkých povrchů.
- Zajistěte kryty hořáků (pokud jsou součástí) ve správné pozici.
- Čistěte kryty hořáků (pokud je součástí) a nádobu na popel a odkápávání tuku pravidelně, abyste zamezili hromadění tuku a usazenin, které se mohou vznítit.
- K hašení plamenů nepoužívejte vodu, pivo ani jiné tekutiny.
- K čištění částí grilu nepoužívejte čistič na bázi tlaku.
- Tento gril není zamýšlen pro obchodní používání.
- Tento gril není zamýšlen na to, aby byl jakkoliv používán jako topné těleso.

Rozměry



GRILL SIZE: 14 1/2 in X 21 1/2 in (IRREGULAR) = 285 in² (37 cm X 54 cm (IRREGULAR)= 1840 cm²)
ALL DIMENSIONS ARE APPROXIMATE

CZ



Zacházejte s grilem opatrně



POZOR! Při manipulaci s grilem a při jeho transportu buďte opatrní, abyste zabránili poškození a rozladění vnitřních dílů. Ačkoliv se u tohoto grilu předpokládá jeho časté přemísťování, hrubé zacházení může způsobit škody vnitřních součástí, které jsou potřebné pro správné fungování grilu.



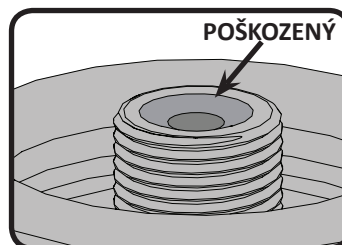
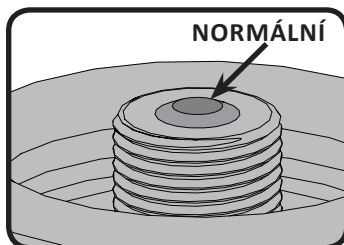
Správná likvidace tohoto produktu

Toto označení znamená, že tento výrobek nesmí být likvidován s jinými domácími zařízeními vrámci celé EU. Aby se zabránilo možnému znečištění životního prostředí nebo lidského zdraví způsobeným nekontrolovanou likvidací, recyklujte je zodpovědně a k podpoře opětovného využití hmotných zdrojů. Chcete-li vrátit použité zařízení, použijte systém sběru a recyklace nebo se obraťte na prodejce, kde byl výrobek zakoupen.

Plynová kartuše

Používejte pouze takové plynové kartuše, které vyhovují národním a místním předpisům. Pro optimální výkon by měl být gril provozován na propan. Kartuše musí vyhovovat normám a musí být vybaveny samotěsnícím ventilem. Kartuše musí mít celkový objem mezi 430 – 460 g a musí být plněny buď propanem nebo směsí propanu a butanu.

- Zkontrolujte gumový těsnící kroužek na regulátoru. Pokud je poškozen, vyměňte ho.
- Nikdy se zařízením nepropojte kartuš, která nevyhovuje předpisům.
- Kartuš musí být na straně grilu upevněna vždy ve svislé poloze pomocí záchytného držáku.
- Nikdy neskladujte náhradní kartuš poblíž zařízení. Plynové kartuše nesmí být vystavovány extrémnímu horku nebo přímému slunci.
- Nikdy kartuš příliš neutěsňujte, utěsnění může způsobit poškození přípojky regulátoru nebo přípojky kartuše.

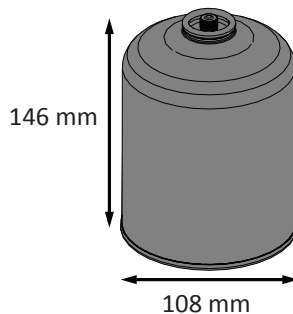


VAROVÁNÍ! Když není kartuše v provozu, měla by mít ochranné víčko, které zabrání usazování špíny a vnikání prachu do ventilu.

VAROVÁNÍ! Před použitím plynové kartuše si nastudujte instrukce k používání.

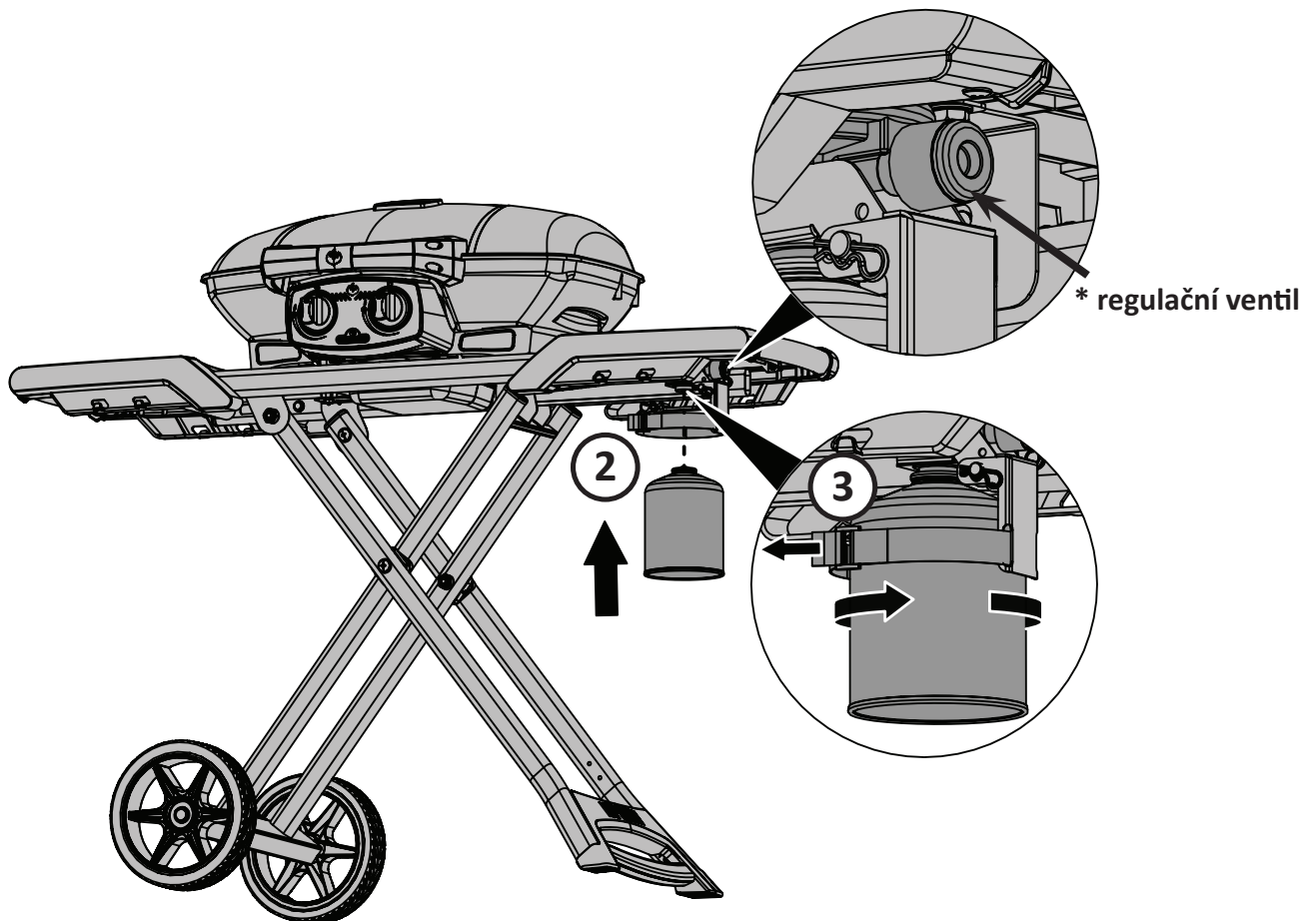
Přípojka plynové kartuše: Ujistěte se, že hadice plynového regulátoru není zamotaná. Plynová kartuše má přesně sedící přípojku, která nedovolí průtok plynu, dokud nebude těsně uzavřena. Sejměte kryt nebo kolík z kartuše, přišroubujte ji k regulátoru ve směru hodinových ručiček. Utáhněte ručně, nikdy nepoužívejte nářadí.

Před grilováním vyzkoušejte těsnost všech spojů. Test těsnosti musí být prováděn každý rok nebo pokaždé, když je kartuše připojena nebo jsou vyměněny nějaké díly v plynové soustavě.



* Pro správnou funkci, zajistí regulační ventil je otevřen.

CZ





VAROVÁNÍ!

- Neprotahujte hadici pod nádobou na odkapávání tuku.
- Ujistěte se, že všechny spoje jsou dvakrát utaženy (otočeny). Nepoužívejte teflonové provázky nebo lakované roury na jakýkoliv spoj hadice.
- Ujistěte se, že hadice není v kontaktu s horkými povrchy. Mohla by se roztavit a únik plynu by mohl způsobit požár.

Plynová hadice

- Pokud nejsou hadice a regulátor poskytnuty výrobcem, pak používejte pouze takové, které splňují národní a místní předpisy.
- Ujistěte se, že hadice není v kontaktu s tukem nebo horkými povrchy či kapalinami.
- Kontrolujte hadici pravidelně. V případě trhlin, roztavení nebo opotřebování hadici před dalším používáním vyměňte.
- Hadice nesmí být delší než 1,5 m.
- Ujistěte se, že hadice není někde přetočená nebo zamotaná.
- Před vypršením data, které je vytištěné na hadici, hadici vyměňte.

Technické údaje

V následující tabulce jsou uvedeny vstupní hodnoty pro zařízení.

Hořák	Velikost vstupního otvoru (hrubě)		Tepelný příkon (celkem)		Využití plynu (celkem)	
	I	II	I	II	I	II
	0,74 mm	0,64 mm	4,1kW	4,1kW	301 g/h	301 g/h

Certifikované plyny – Zkontrolujte typový štítek, abyste zjistili, zda odpovídá potřebným údajům.

Plyn kategorie	¹ 3B/P(30)	¹ 3+(28-30/37)	¹ 3B/P(50)
elikestí otvorů (viz výše)	I	I	II
Plyny / Tlaky	Butan a Propan na 30mbar	Butan 28-30mbar Propan 37mbar	Butan a Propan na 50mbar
Země	BE, BG, CY, DK, EE, FI, FR, GB, HR, HU, IS, IT, LT, LU, MT, NL, NO, RO, SE, SI, SK, TR	BE, CH, CY, CZ, ES, FR, GB, GR, IE, IT, LT, LU, LV, PT, SK, SI	AT, CH, DE, SK

Nemanipulujte s regulátorem, ani ho neupravujte. Používejte pouze takové regulátory, které dodávají tolik tlaku, kolik je uvedeno v tabulce. Při výměně používejte pouze regulátor určený výrobcem.

Zkoušky těsnosti- pokyny



VAROVÁNÍ! Zkouška těsnosti musí být provedena každý rok a pokaždé, když láhev odpojena nebo je-li nahrazena část plynárenské soustavy.



VAROVÁNÍ! Nikdy nepoužívejte otevřený plamen pro kontrolu úniku plynu. Pozor na jiskry nebo otevřený oheň kolem této oblasti, zatímco vy kontrolujete těsnost. Jiskry nebo otevřený oheň budou mít za následek požár nebo výbuch, škody na majetku, vážné zranění nebo smrt.

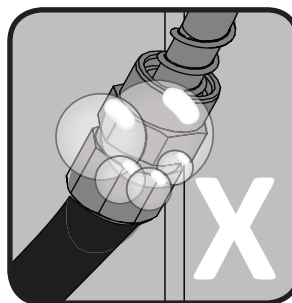
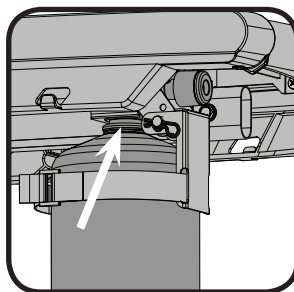
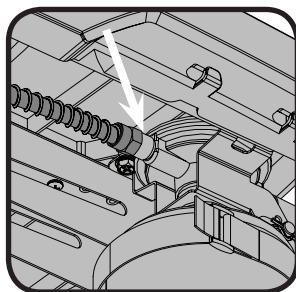
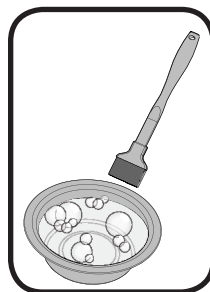
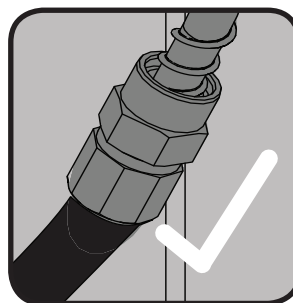
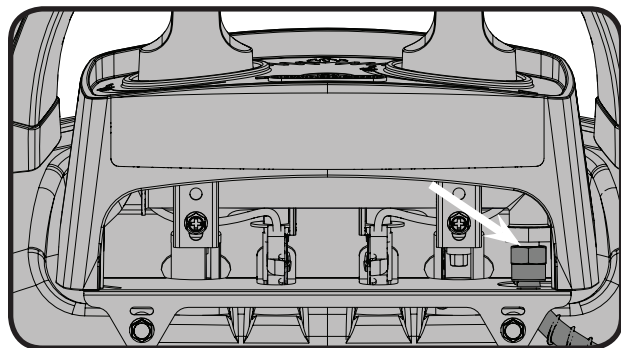


Zkoušky těsnosti: Musí být provedena před prvním použitím, ročně, a vždy, když jsou nějaké plynové součásti vyměněny nebo opraveny. Nekuřte při provádění tohoto testu, a odstraňte všechny zdroje zapálení. Viz těsnosti diagram pro oblasti, pro kontrolu. Vypněte všechny ovládací prvky hořáku do polohy vypnuto. Zapněte přívod plynu.

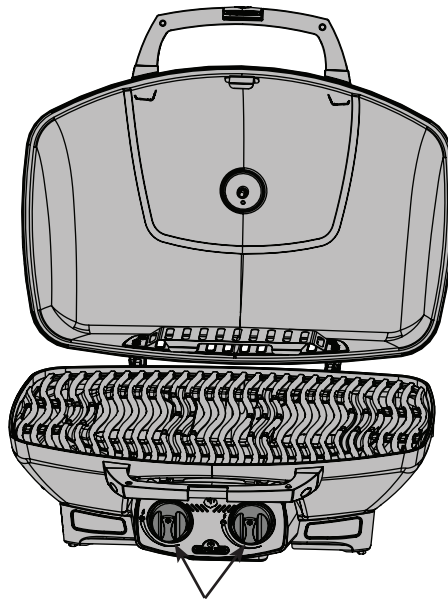
Směsí vody a mýdla 1:1 potřete všechny spoje a napojení regulátoru, hadice, potrubí a armatury.

Bublinky budou znamenat únik plynu. Buď utáhněte uvolněné spojení nebo vadnou část vyměňte popř. konzultujte s odborníky.

Pokud únik nelze zastavit, **okamžitě vypněte přívod plynu**, odpojte jej, a nechte gril zkontrolovat odborníkem. Nepoužívejte gril, dokud závada nebude odstraněna.



Zažehávací pokyny



ovládací knoflík



UPOZORNĚNÍ! Otevřete poklop.

UPOZORNĚNÍ! Zajistěte, aby všechny ovladače byly v pozici VYPNUTO. Připojte plynovou láhev.

Zapalování hlavního hořáku

1. Otevřete poklop grilu.

2. Pomalu stlačte a otočte ovládací knoflík k hlavnímu hořáku do polohy "HI" (high).

3. Pokud hořák nechytne, pak okamžitě otočte ovládací knoflík zpět do pozice VYPNUTO a opakujte krok 2 znovu.

4. Pokud hořák nechytne během 5ti vteřin, otočte knoflík zpět do pozice VYPNUTO a počkejte 5 minut kvůli rozptýlení přebytečného plynu. Pak buď opakujte kroky 2 a 3 nebo hořák zapalte zápalkami.

5. Pokud hořák zapalujete zápalkami, připojte zápalku k dodané zapalovací tyčce. Držte zapálenou sirku dolů uvnitř grilu a mezi tím točte příslušným ventilem hořáku na nejvyšší nastavení.



Instrukce k vaření



VAROVÁNÍ! Nepoužívejte tento gril pod plátěnými střechami nebo altánky. Nerespektování těchto pokynů může vést k požáru nebo poranění osob.



VÝSTRAHA! Neuskładňujte ani nepřevázejte tento gril bezprostředně po jeho použití. Před manipulací nechte gril vychladnout. Nedodržení těchto pokynů může způsobit požár, který může vést k poškození majetku, zranění osob nebo smrti.

Počáteční zažehnutí: Když grilujeme poprvé, plynový gril vydává mírný zápach. To je normální dočasný stav způsobený "vypálením" vnitřních nátěrových hmot a maziv používaných ve výrobním procesu. Jednoduše spusťte hlavní hořáky na vysokou úroveň přibližně půl hodiny.

Používání hlavního hořáku: Před opékáním jídla doporučujeme předeheat gril za použití všech hořáků na nejvyšší nastavení se zavřeným poklopem po dobu přibližně 10ti minut. Pokrm s krátkou dobou přípravy (ryby, zelenina) mohou být grilovány s otevřeným poklopem. Pečení se zavřeným poklopem zajistí vyšší a rovnoměrnou teplotu, která pomůže snížit dobu přípravy jídla a maso bude rovnoměrně propečené. Pokrm, jejichž příprava trvá déle než 30 minut – jako jsou pečeně – mohou být připravovány nepřímo (se zapáleným hořákem na protější ploše pro přípravu jídla). Při pečení libového masa – jako jsou kuřecí prsa nebo libové vepřové – je dobré ještě před předeheatím natřít mřížku olejem. Tím se zabrání lepení. Pečení masa s vysokým obsahem tuku může způsobovat tvorbu plamenů. Abyste tomu předcházeli, buď odstraňte co nejvíce tuku nebo snižte teplotu. Pokud se plameny vyskytnou, dejte pokrm stranou z plamenů a snižte teplotu. Nechte poklop otevřený.

Pokyny pro čištění



UPOZORNĚNÍ! Vždy používejte ochranné rukavice a ochranné brýle při údržbě grilu.



UPOZORNĚNÍ! Abyste předešli možnému popálení, musí být údržba provedena pouze v případě, že gril je vychladlý. Vyhnete se kontaktu s nechráněnými horkými povrchy. Zajistěte, aby všechny byly hořáky vypnuté. Očistěte gril tam, kde čistící roztoky nebudou poškozovat paluby, trávniky, nebo terasu. Nepoužívejte čistící na trouby k čištění jakékoliv části tohoto plynového grilu. Nepoužívejte samočisticí čistit na rošty nebo jakékoliv jiné části plynového grilu. Barbecue omáčka a sůl může být žíravá a může způsobit rychlé zhoršení komponentů plynového grilu, pokud ho nebudete pravidelně čistit.

Poznámka: Nerezová ocel má tendenci oxidovat nebo dělat skvrny za přítomnosti chloridů a sulfidů, zejména v pobřežních oblastech a v jiných náročných prostředích, jako jsou teplé, velmi vlhké místa kolem bazénů a vířivek. Tyto skvrny mohou být vnímány jako rez, ale mohou být snadno odstraněny. Pro zajištění prevence a odstraňování skvrn omyjte všechny nerezové povrchy každé 3-4 týdny nebo tak často, jak to ocel vyžaduje. Myjte ji čerstvou vodou nebo čistícím prostředkem.

Litinové rošty na úpravu pokrmů: Litinové rošty jsou dodávány s Vaším grilem, aby Vám poskytl vyšší schopnost udržení a distribuce tepla. Pravidelným ošetřováním (balzamováním) vytvoříte na roštu ochrannou vrstvu, která bude odolná proti korozi a zvýší se tak schopnost nepřilnavosti pokrmů k roštu.

První použití: Rošty ručně umyjte jemným přípravkem na nádobí a vodou, abyste se zbavili zbytků z výrobního procesu (nikdy nemyjte rošty v myčce). Opláchněte horkou vodou a řádně otřete do sucha. To je důležité, aby vlhkost nepronikala litinovou vrstvou.

Ošetřování (balzamování): Vezměte jemný hadřík (látku) a rozetřete jím ROSTLINNÝ TUK po celé ploše roštu tak, aby byly všechny části pokryté vrstvou tuku. Nepoužívejte slané tuky jako jsou másla nebo margaríny. Předeheat gril – asi 15 minut a pak do něj vložte tukem potřené rošty. Otočte ovládací knoflík hořáku na střední nastavení se zavřeným poklopem. Nechte rošty přibližně půl hodiny, aby se nahřály. Vypněte hořák a odpojte přívod plynu. Nechte rošt na grilu dokud nevychladne. Tento proces by se měl několikrát za sezonu opakovat, i když nebude používán každý den (pro denní používání informace viz. níže)

Denní používání: Před předeheatím a čištěním mosazným kartáčem na grily, potřete celou plochu roštu rostlinným tukem. Předeheat gril a pak setřete nechtěné zbytky z roštu kartáčem.

Čištění vnitřní části grilu: Vyjměte rošty. Na odstranění nečistot z boků a spodní části grilu použijte mosazný kartáč. Nečistoty smeťte do vyjímatelné nádoby na odkapávání tuku.

Nádoba na odkapávání tuku: Nahromaděný tuk zvyšuje riziko požáru. Abyste tomu předcházeli, čistěte nádobu pravidelně. Přebytečný tuk propadává do odkapávací nádoby, která je umístěna ve spodní části grilu, kde se tuk hromadí. Vyjměte nádobu na odkapávání z grilu. Nikdy nevystýlejte nádobu alobalem, pískem nebo jiným materiálem, který by mohl zabránit volný tok tuku. Nádoba může být oškrabána stěrkou nebo škrabkou.



UPOZORNĚNÍ! Při transportu grilu se vždy ujistěte, že je nádoba na odkapávání tuku prázdná a čistá.

Čištění vnějšího povrchu grilu: Nepoužívejte abrazivní čisticí prostředky ani drátěnku na jakémkoliv lakovaném, porcelánovém nebo nerezovém povrchu vašeho Grilu Napoleon. Pokud tak učiníte, poškrábete povrch grilu. Vnější grilovací plocha by měly být čistěna výhradně teplou mýdlovou vodou. K čištění nerezových ploch, použijte neabrazivní čistič. Vždy otírejte ve směru vláken. V průběhu používání mohou nerezové díly změnit po zahřátí barvy, obvykle do zlatého nebo hnědého odstínu. Toto zbarvení je normální a nemá to vliv na výkon a funkci grilu. Se smaltovými komponenty je nutno zacházet s opatrností. Originál čisticí prostředky můžete zakoupit u Vašeho prodejce NAPOLEON.

Pokyny pro údržbu

Doporučujeme tento plynový gril důkladně ročně kontrolovat a udržovat kvalifikovaným servisním pracovníkem.

Po celou dobu udržujte prostor na grilování bez hořlavých materiálů, benzínu a jiných hořlavých par a kapalin.



VAROVÁNÍ! Vždy používejte ochranné rukavice a ochranné brýle při čištění grilu.



VAROVÁNÍ! Vypněte plynové zdroje a odpojte jednotku před údržbou. Abyste předešli možnému popálení, musí být údržba provedena pouze v případě, když je gril vychladlý. Zkouška těsnosti musí být provedena jednou ročně.



Hořák: Hořák je vyrobený ze silnostěnné nerezové oceli 304, ale extrémní teploty nebo korozivní prostředí mohou způsobit jeho povrchovou korozi.

UPOZORNĚNÍ! Pozor na pavouky.



Vůně propanu a plynů přitahuje hmyz a pavouky. Hořák je na ústí vybaven přepážkou (mřížkou) proti hmyzu, která snižuje pravděpodobnost vytváření hnízd hmyzu uvnitř, ale problém zcela úplně neřeší. Hnízda nebo pavučiny mohou způsobit hoření světla žlutým či oranžovým plamenem, dále může dojít k hoření ve ústí pod ovládacím panelem. Před čištěním hořáku je potřeba ho z grilu vyjmout: Odšroubujte šroub/y, které zajišťují držák a hořák k základně. Hořák jemně posuňte vzad a nahoru, vyjměte ho. K vyčištění vnitřku hořáku použijte ohebný kartáček. Vysypte nečistoty otvorem pro přívod plynu. Zkontrolujte, zda jsou otvory a ventily hořáku bez nečistot a překážek. Otvory se mohou při používání ucpat nečistotami a korozi, vyčistěte například rozevřenou kancelářskou sponou. Čištění otvorů je jednodušší, když je hořák vyjmutý z grilu, ale lze ho vyčistit i upevněný.

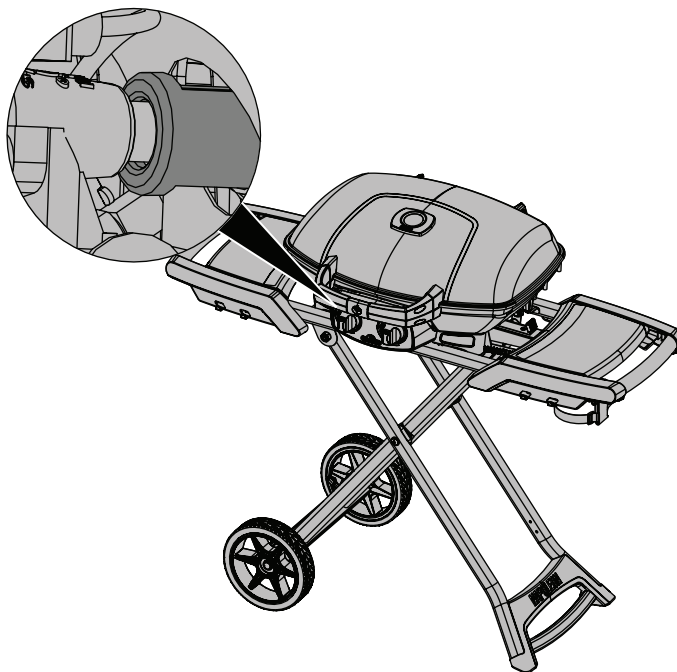
UPOZORNĚNÍ! Dávejte pozor, abyste otvory neztvrdili.

Ujistěte se, že přepážka (mřížka) proti hmyzu je čistá, těsná a není zaprášená.

Instalace hořáku zpět: Opačným postupem. Při instalaci zkontrolujte výstupy ventilu/trysky.



UPOZORNĚNÍ! Při opětovné instalaci hořáku po čištění je velmi důležité, aby ventil / tryska byla zasunuta do trubice hořáku před zapálením plynového grilu. Pokud ventil není uvnitř trubky hořáku může dojít k požáru.



VAROVÁNÍ! Hadice: Zkontrolujte oděrky, řezné rány, tavení a praskliny na hadici. Pokud některá z těchto situací existuje, nepoužívejte plynový gril. Nepoužitelnou část vám vymění prodejce Napoleonu nebo kvalifikovaný montér.

Řešení problémů

Problém	Možné příčiny	Řešení
Nízká teplota / Nízké plameny při nastavení ventilů na max.	Ucpání přívodu plynu. Nesprávné přehřátí. Zamrzlá plynová láhev.	Zkontrolujte, zda v hořáku nebo přívodu plynu nejsou pavučiny či jiné překážky. Přehřejte gril s hlavními hořáky po dobu 5 – 10 minut. Při dlouhotrvajícím grilování nebo když je bomba téměř prázdná nebo když je vnější teplota příliš nízká, male plynové láhve nemají dostatek vlhkého povrchu k dosažení přeměny tekutého propanu na plyný. Připojte novou plynovou láhev.
Nadměrné plameny / nerovnoměrné teplo.	Nesprávné přehřátí. Nadměrné hromadění tuku v nádobě na jeho odkapávání.	Přehřejte gril s hlavními hořáky po dobu 5 – 10 minut. Čistěte nádobu pravidelně. Nevystýlejte nádobu alobalem. Následujte čistící instrukce.
Hořák hoří žlutým plamenem a je doprovázen zápachem plynu.	Možnost pavučin nebo jiných nečistot či nesprávné nastavení vzduchové klapky.	Vyjměte hořák a důkladně ho vyčistěte. Otevřete vzduchovou klapku viz. pokyny týkající se spalovacího vzduchu. (Toto musí provést kvalifikovaný technik.)
Plameny se vznášejí mimo hořák, jsou doprovázeny zápachem plynu, problémy se zapalováním.	Nesprávné nastavení vzduchové klapky.	Lehce přivřete vzduchovou klapku viz. pokyny týkající se spalovacího vzduchu. (Toto musí provést kvalifikovaný technik.)
Hořák nejde zapálit pomocí zapalovacího zařízení, pouze sirkou.	Výstupy pro plameny jsou znečištěné nebo ucpané.	Vyčistěte výstupy pro plameny jemným kartáčkem.
“Nátěr” uvnitř poklopu vypadá jako by se loupal..	Jedná se o nahromaděný tuk, který ulpívá na vnitřních plochách grilu.	Nejde o vadu. Loupání je zapříčiněno ztvrdlým tukem, který zaschne a vypadá jako nátěr, ten se později odloupává. Tvorbě tukové vrstvy zabráníte pravidelným čištěním. Nahlédněte do návodu k čištění.
Výkon hořáku na maximální nastavení je příliš nízký. (Rachotivý zvuk a třepající se modrý plamen na povrchu hořáku.)	Nedostatek plynu. Přívodní hadice plynu je skřípnutá. Znečištěný nebo ucpaný otvor pro přívod plynu v hořáku. Pavučiny nebo jiné překážky v trubici.	Zkontrolujte množství plynu v bombě. Přemístěte hadici pro přívod plynu. Vyčistěte otvor pro přívod plynu. Vyčistěte trubici.
Hučení regulátoru.	Normální jev v horkých dnech.	Nejedná se o závadu. To je způsobeno vnitřními vibracemi v regulátoru a nemá vliv na výkon nebo bezpečnost plynového grilu. Hučící regulátor nebude nahrazován.

Uchovejte svůj pokladní doklad o nákupu, abyste mohli potvrdit svou záruku.

Objednávání náhradních dílů

Informace o záruce

MODEL: _____

Datum nákupu: _____

Výrobní číslo: _____

(Záznam informací naleznete zde pro přehlednost)

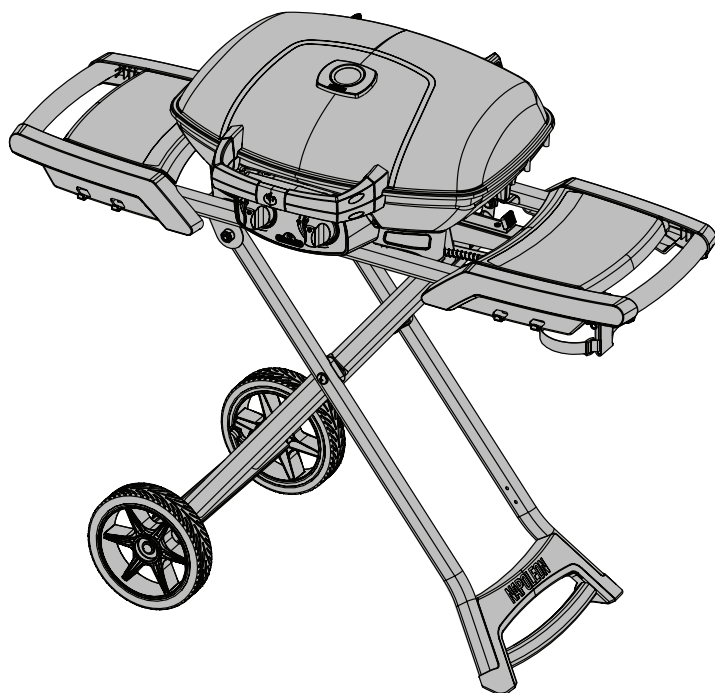
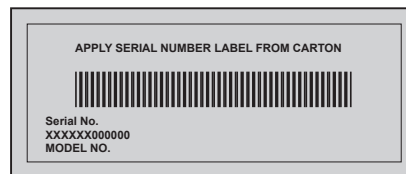
Než se obrátíte na vašeho prodejce, podívejte se na webové stránky Napoleon Grills, kde naleznete rozsáhlejší pokyny pro čištění, údržbu, odstraňování a náhradní díly - www.napoleongrills.cz. Pro náhradní díly a záruční reklamace se obraťte přímo na místního distributora / prodejce (viz seznam kontaktů na webu). Obráťte se na vašeho prodejce ve věcu náhradních dílů a záručních reklamací. Pro zpracování Vaší žádosti budeme potřebovat následující informace:

1. Model a sériové číslo přístroje.
2. Objednací číslo a popis
3. Stručný popis problému
4. Doklad o koupi (fotokopie faktury).

V některých případech reklamace může zástupce Napoleonu požádat o vrácení reklamovaného dílu do továrny na kontrolu před poskytnutím náhradních dílů.

- Než se obrátíte na vašeho prodejce Napoleon, prosím vezměte na vědomí, že na následující položky se nevztahuje záruka:
- náklady na dopravu, zprostředkování nebo vývozní clo, mzdové náklady na odstranění a instalaci,
- náklady na služby a volání k diagnostice problem, změna barvy korozivzdorné oceli,
- selhání v důsledku nedostatečného čištění a údržby nebo používání nevhodných čisticích prostředků (čističe trouby).

Tento plyn gril musí byť používaný len vonku na dobre vetranom mieste a nesmie byť používaný vo vnútri budovy, garáže, tienené verandy, altánku alebo v akýkoľvek iných uzavretých priestoroch.



SK



NEBEZPEČENSTVO

AK POCÍŤITE PLYN:

- Uzavrite prívod plynu do zariadenia.
- Uhasťte akýkoľvek otvorený oheň.
- Otvorte veko.
- Ak zápach pretrváva, držte sa ďaleko od spotrebiča a ihneď zavolajte svojho dodávateľa plynu alebo požiarnikov.



VAROVANIE!

Nepokúšajte sa zapáliť toto zariadenie, bez toho aby ste si prečítali oddiel "Horenie" v tomto návode na obsluhu.

Neukladajte ani nepoužívajte benzín alebo iné horľavé látky v blízkosti tohto ani žiadneho iného zariadenia. Pokiaľ plynová fľaša nie je pripojená, nesmie byť uložená v blízkosti tohto ani žiadneho iného zariadenia. V prípade, že nedodržíte pokyny v tomto návode, môže dôjsť k požiaru alebo výbuchu, čo spôsobí poškodenie majetku, zraneniu alebo usmrteniu osôb.

Upozornenie k inštalácii: Zanechajte tento návod pre budúce použitie grilu.



N415-0340CE-E MAR 12.18

Wolf Steel Europe BV
Poppenbouwing 29-31, 4191 NZ Geldermalsen,
CCI No. 51509970, THE NETHERLANDS
info@napoleongrills.nl

www.napoleongrills.com

Napoleon Prezidentská 10-ročná Obmedzená Záruka



Výrobky NAPOLEON sú navrhnuté s vynikajúcimi komponentmi a materiálmi a sú tvorené vyškolenými remeselníkmi, ktorí sa chvália svojím dielom. Tento produkt pred balením a prepravou dôkladne skontrolovali kvalifikovaní technici, aby sa zabezpečilo, že zákazník dostane kvalitný produkt, ktorý očakávate od spoločnosti NAPOLEON.

NAPOLEON ručí za komponenty Vášho nového produktu Napoleon z hľadiska chyby materiálu a spracovania od dátumu predaja po nasledujúce obdobie:

Hliníkové kryty / nerezová konštrukcia	10 rokov
Nerezové veko	10 rokov
Smaltované veko	10 rokov
Lakované oceľové veko	5 rokov plné krytie, plus do 10.roku zľavu 50% na diel
Nerezové trubicové horáky	5 rokov plné krytie, plus do 10.roku zľavu 50% na diel
Smaltované liatinové rošty	5 rokov plné krytie, plus do 10.roku zľavu 50% na diel
Nerezové alebo smaltované kryty horákov	3 roky plné krytie, plus do 10.roku zľavu 50% na diel
Všetky ostatné diely	2 roky

SK

*Podmienky a obmedzenia

Táto obmedzená záruka vytvára záručnú lehotu, ako je uvedená vo vyššie uvedenej tabuľke, pre produkt zakúpený prostredníctvom autorizovaného predajcu NAPOLEON a oprávňuje pôvodného kupujúceho k stanovenému krytiu v záručnej dobe, a to buď spoločnosťou NAPOLEON alebo autorizovaným predajcom spoločnosti NAPOLEON, aby nahradil súčasť takéhoto výrobku, ktorý zlyhal pri bežnom súkromnom použití v dôsledku výrobných chýb. "50% zľava" uvedená v tabuľke znamená, že súčasťka je k dispozícii kupujúcemu za 50% zľavu z bežnej maloobchodnej ceny komponent v uvedenom období. Táto obmedzená záruka sa nevzťahuje na príslušenstvo alebo bonusové položky.

Na vysvetlenie "bežná súkromná potreba" výrobku znamená, že výrobok: bol nainštalovaný autorizovaným servisným technikom alebo dodávateľom v súlade s pokynmi na inštaláciu, ktoré sú súčasťou výrobku a všetkými miestnymi a národnými predpismi pre budovy a protipožiaru ochranu; boli riadne dodržané; a výrobok nebol používaný ako komunálne zariadenia alebo v komerčnej sfére.

Záruka tiež nezahŕňa: prekúrenie, neštandardné horenie spôsobené okolitými podmienkami, ako je silný vietor alebo nedostatočná ventilácia, škrabance, preliačiny, koróziu, poleptanie náterov, sfarbenie spôsobené teplom, abrazívnymi alebo chemickými čistiacimi prostriedkami alebo pôsobením UV žiarenia, rozbitie porcelánových či smaltovaných častí alebo škody spôsobené nesprávnym použitím, nehodou, krupobitím, hasením požiaru, nedostatočnou údržbou, nevhodným pôsobením či prostredím ako je soľ alebo chlór, zmeny, úpravy, zanedbanie alebo časti inštalovanej od iných výrobcov. Pokiaľ dôjde k poškodeniu častí, ktoré by už nebolo možné používať (prereznutie alebo prehorenie) počas doby trvania oprávnenej záruky, bude poskytnutý náhradný diel.

Náhradný diel je výhradnou zodpovednosťou spoločnosti NAPOLEON definovanej touto obmedzenou zárukou. V žiadnom prípade NAPOLEON nenesie zodpovednosť za inštaláciu, prácu alebo iné náklady alebo výdavky spojené s opätovným inštalovaním dielu v záruke, za akékoľvek vedľajšie, následné alebo nepriame škody alebo za prepravné poplatky, náklady na pracovnú silu alebo vývoznú clá.

Táto obmedzená záruka je poskytovaná popri všetkých práv, ktoré vám sú poskytované miestnymi zákonmi. Preto táto obmedzená záruka nestanovuje spoločnosti NAPOLEON žiadnu povinnosť udržiavať diely na sklade. Na základe dostupnosti náhradných dielov môže spoločnosť NAPOLEON podľa svojho uváženia splniť všetky povinnosti tým, že poskytne zákazníčkovi pomerný kredit k novému produktu. Po prvom roku s ohľadom na túto obmedzenú záruku môže spoločnosť NAPOLEON podľa svojho uváženia plne plniť všetky záväzky vyplývajúce z tejto záruky tým, že vráti pôvodnému oprávnenému kupujúcemu veľkoobchodnú cenu akékoľvek chybné časti v záruke.

Predajný doklad alebo kópie budú vyžadované spoločne so sériovým číslom a číslom modelu pri podávaní záručných nárokov spoločnosti NAPOLEON. Spoločnosť NAPOLEON si vyhradzuje právo nechať svojho zástupcu preveriť akýkoľvek výrobok alebo súčasť pred tým, než uhradí nárok na záruku. Obráťte sa na svojho autorizovaného predajcu Napoleon prípadne priamo na servis dovozca NAPOLEON, aby ste získali nárok na záručné plnenie.

Pozn.: doživotnou zárukou sa myslí neobmedzená doba, po ktorú bude produkt používaný prvým a pôvodným majiteľom resp. kupujúcim



napoleongrills.com

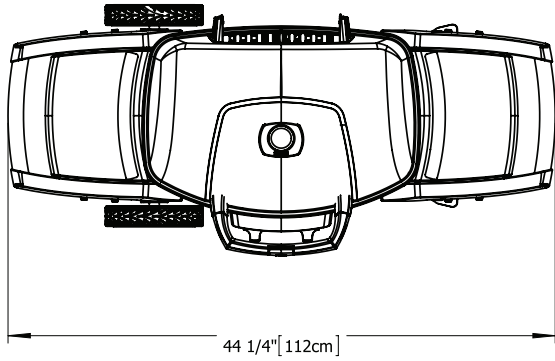


VAROVANIE! Nedodržanie týchto pokynov môže viesť k poškodeniu majetku, úrazu alebo smrti. Prečítajte si všetky upozornenia a dodržujte pokyny z tejto príručky pred prevádzkou grilu.

Bezpečné prevádzkové postupy

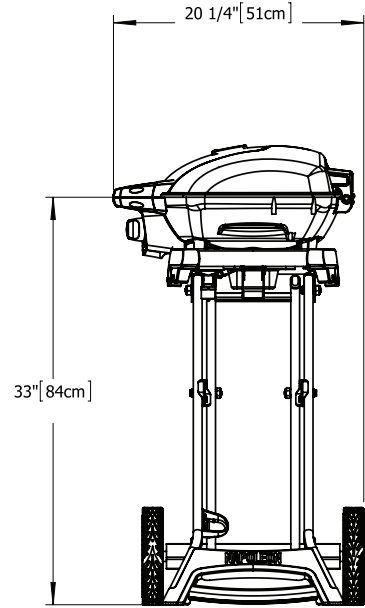
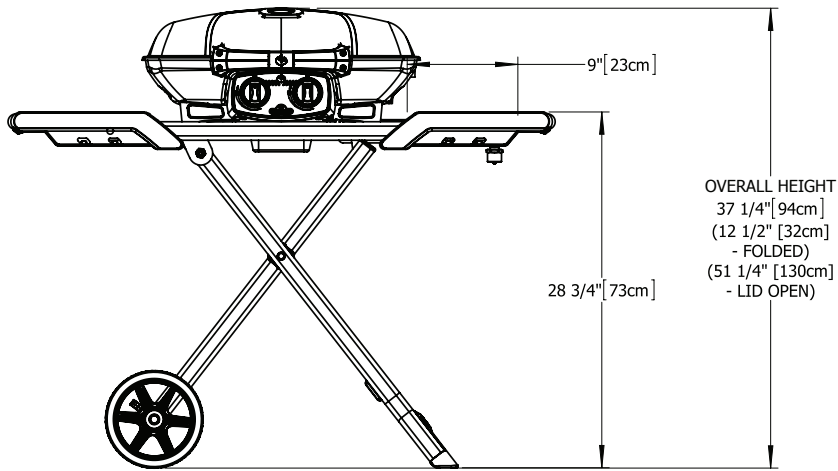
- Tento plyn gril musí byť zostavený presne podľa pokynov v návode. V prípade, že gril bol gril zostavený v obchode, je nutné skontrolovať montážny návod pre potvrdenie správneho zloženia a vykonávať požadované skúšky tesnosti pred uvedením do prevádzky grilu.
- Prečítajte si celý návod pred použitím grilu.
- Tento gril sa musí skladovať iba vonku na dobre vetranom mieste, nesmie byť používaný vo vnútri budovy, garáže, vo verande, altánku alebo iných uzavretých priestoroch.
- Tento plyn gril je určený pre propán, bután alebo len propán / butánu zmesi.
- neumiestňujte do vetra. Silný vietor môže nepriaznivo ovplyvniť výkon varenie na grile.
- Under no circumstances should this gas grill be modified. Parts sealed by the manufacturer, licensed authorized • Za žiadnych okolností by tento plyn gril nemal byť upravený užívateľom. Časti zlepené od výrobcu, smie upraviť licencovaný autorizovaným servisný technik alebo dodávateľ.
- Nepoužívajte prístroj na žiadnych horľavých konštrukciách.
- Udržiavajte správnu vzdialenosť k horľavín 18 "(457 mm), na zadnej strane prístroja, 18" (457 mm) od strán). Ďalšie tolerancie sa odporúča u vinylové dosky alebo tabule skla.
- hadice prívodu plynu musí byť inštalované takým spôsobom, ktorý neumožní kontakt s akýmikoľvek horúcimi povrchmi grilu, zatiaľ čo v je gril v prevádzke alebo v režime ukladania / cestovanie.
- Plynový filter musí byť odpojený, keď nie je plynový gril používaný.
- Keď je plynový valec pripojený k prístroju, musí byť gril a plyn skladovať vonku, alebo v dobre vetranom priestore.
- Keď je plynový gril uložený v interiéri, nesmie byť pripojena plynová fľaša, tu skladujte vo vetranom priestore alebo vonku mimo dosahu detí. Odpojené kazety nesmie byť skladované v budove, garáži alebo akékoľvek iné uzavre miestnosti.
- Pred každým použitím skontrolujte prívod plynu hadicu. Ak existujú dôkazy o nadmernom oteru alebo opotrebenia alebo je hadica rozrezal hadice, musí byť vymenená ešte pred použitím plynovom grile, namontujte náhradné hadice určené výrobcom grilu.
- Nikdy neskladujte náhradné plynovú bombu pod alebo v blízkosti tohto grilu.
- Nevedzte hadice pod odkvapkávacou miskou - správne vzdialenosť hadice k spodnej jednotke musí byť zachovaná.
- Skúška tesnosti zariadenia sa vykonáva pred prvým použitím, rok a po každej výmene dielu.
- Držte sa starostlivo pokynov pri používaní grilu.
- Nepoužívajte horáky so zatvoreným vekom
- Dospelí a najmä deti by mali byť upozornení na nebezpečenstvo prehriatia povrchu. Malé deti by mali byť pod dohľadom, v blízkosti plynového grilu.
- Pri prevádzke nenechávajte gril bez dozoru.
- Nehýbte s grilom za tepla alebo prevádzky.
- Udržujte akýkoľvek elektrický napájací kábel alebo / a prívodnú hadicu plynu v dostatočnej vzdialenosti od horúcich povrchov.
- Uistite sa, grilovací plech (ak je vo výbave) je správne umiestnený.
- Čistite zásobník tuku a grilovacie dosky pravidelne, aby sa zabránilo nahromadeniu, to môže viesť k požiaru zvyšného tuku.
- Nepoužívajte vodu, pivo, ani iné tekutiny k vzplanutiu alebo uhasenie.
- nepoužívajte tlakovú umývačku na vyčistenie akejkoľvek časti jednotky.
- Tento plyn gril nie je určený pre komerčné použitie.
- Tento plyn gril nie je určený pre a nikdy by nemal byť používaný ako kúrenie.

ROZMERY



GRILL SIZE: 14 1/2 in X 21 1/2 in (IRREGULAR) = 285 in² (37 cm X 54 cm (IRREGULAR)= 1840 cm²)
 ALL DIMENSIONS ARE APPROXIMATE

SK



Zaobchádzať opatrne



POZOR! Pri manipulácii alebo preprave grilu, dbajte aby sa zabránilo poškodeniu. Hoci tento gril bol navrhnutý pre mobilitu, ale pri hrubom zaobchádzaní alebo zneužití môže dôjsť k poškodeniu vnútorných súčastí, ktoré budú brániť grilu v riadne prevádzke.

Správna likvidácia tohto produktu

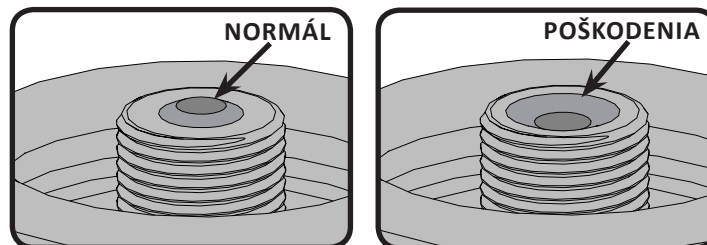


Toto označenie znamená, že tento výrobok by nemal byť likvidovaný s iným komunálnym odpadom v celej EÚ. Aby sa zabránilo možnému znečisteniu životného prostredia alebo ľudskému zdraviu spôsobeným nekontrolovanou likvidáciou odpadu, recyklujte je zodpovedne k podpore opätovného využitia materiálnych zdrojov. Ak chcete vrátiť použité zariadenie, použite prosím systém zberu a recyklácie alebo sa obráťte na predajcu, kde bol výrobok zakúpený. Tento výrobok môže byť bezpečne zrecyklované, k životnému prostrediu.

Plynová kartuša

Používajte len kartuše, ktoré spĺňajú národné a regionálne kódy. Pre optimálny výkon by mal byť gril prevádzkovaný na propán. Jednorazové kazety musí byť v súlade so štandardom EN417 a byť vybavené samotesniacim ventilom. Kartuše musí mať kapacitu paliva medzi 430g a 460g. Kartuše musia byť naplnené buď propánom alebo propán / butanen.

- Skontrolujte gumový krúžok na regulátore. V prípade poškodenia vymeníme regulátor.
- Nikdy nepripájajte kartušu, ktorá nezodpovedá miestnym predpisom.
- Jednorazové kartuše musí byť vždy zabezpečené, na strane grilu vo zvislej polohe pomocou úchytiak.
- Nikdy neskladujte náhradnú kartušu v tesnej blízkosti prevádzkového zariadenia. Kartuše nesmú byť vystavené extrémnemu teplu alebo priamemu slnečnému svetlu.
- Nikdy príliš neufahujte kazetu, pretože prílišné utiahnutie môže poškodiť regulátor pripojenie alebo pripojenie kazety. To môže spôsobiť únik alebo obmedziť tok k jednotke.

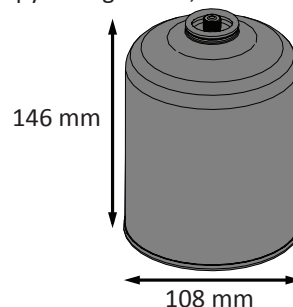


VAROVANIE! Prachová krytka by mala byť na mieste, keď kartuša nie je používaná, na zabránenie usadenín a nečistôt vo vstupe do ventilu.

VAROVANIE! Zoznámte sa s pokynmi pred použitím na kartuša. Preličina alebo skorodovaná kartuša môže byť nebezpečná. Nepoužívajte kartuši, ak v oblasti pripojenia kartuši sú častice hrdze alebo trosiek.

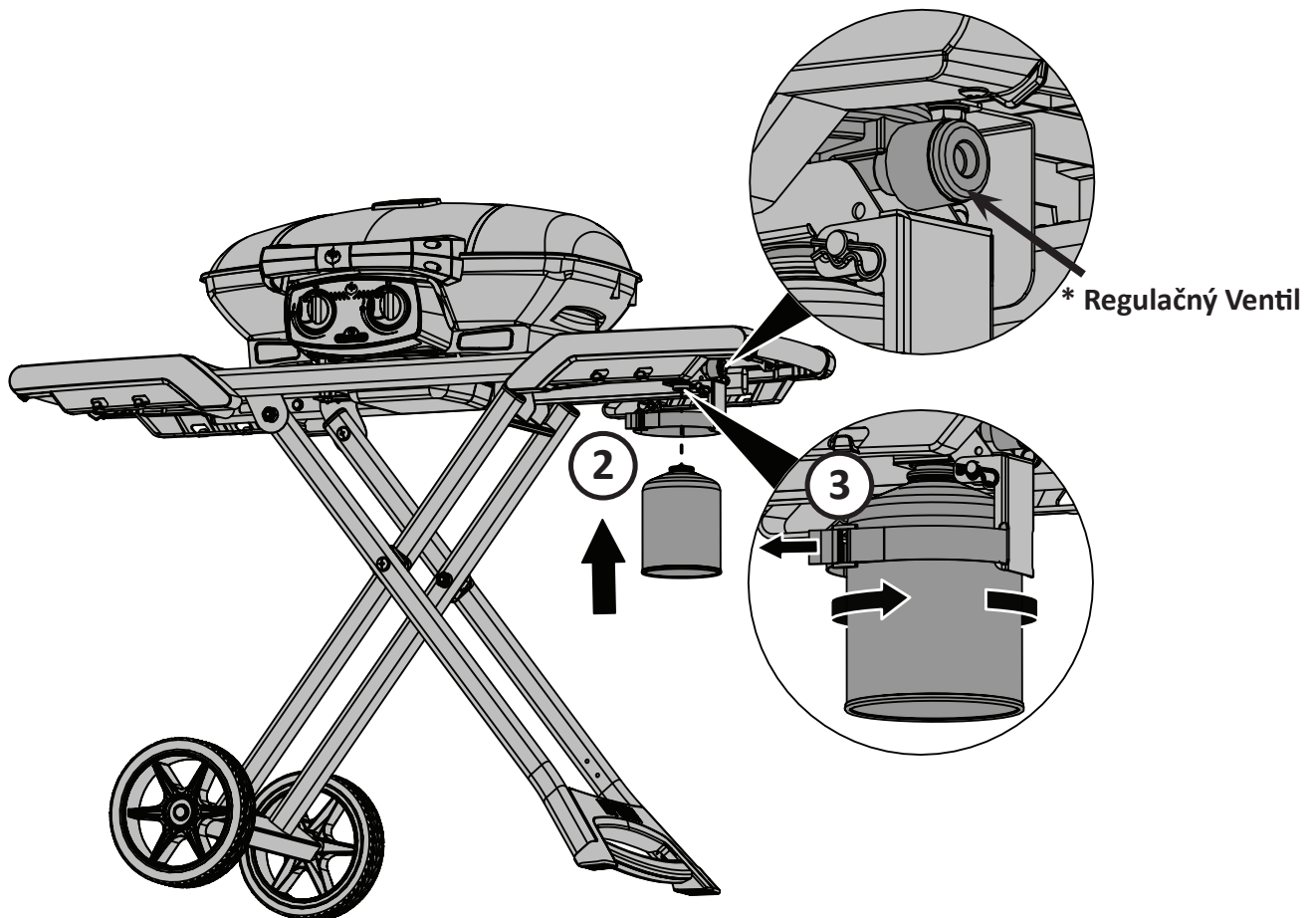
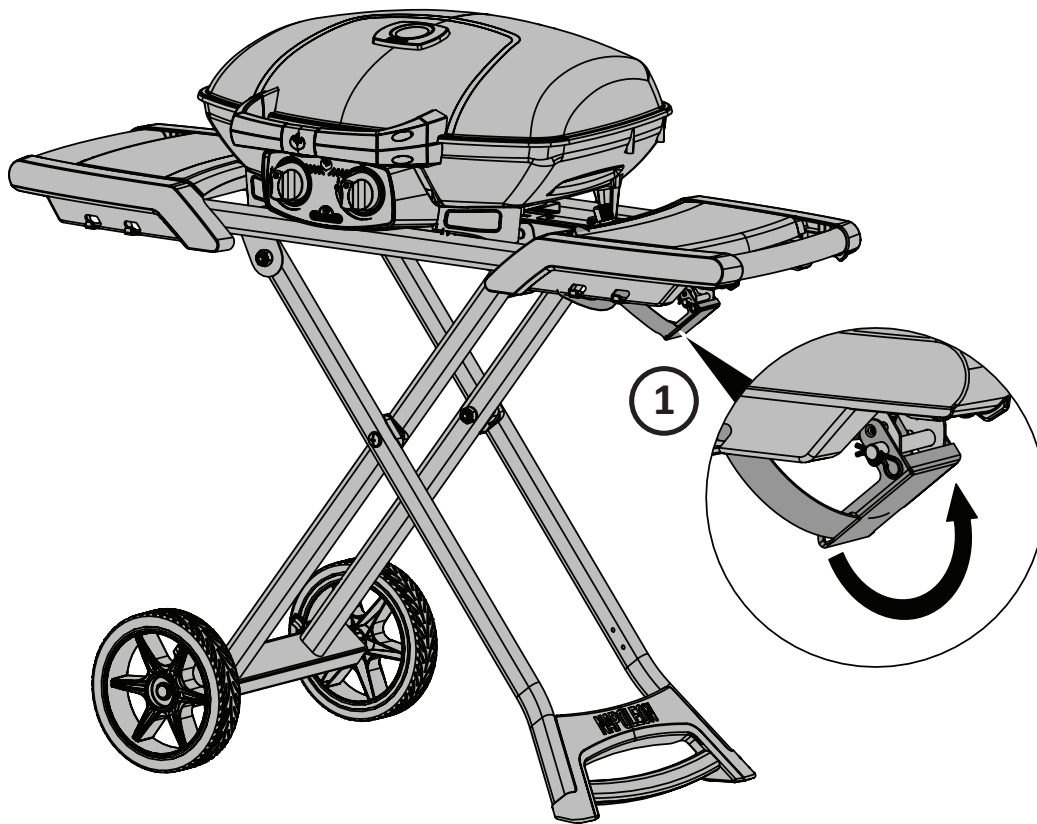
Pripojenie kartuše: Ujistite sa, že regulátor a hadica jsou bez poškodenia a nezkrútená. Kartuše má pozitívne dosedacie spojenie, ktoré neumožní prítok plynu, až kým sa dosiahne pozitívne tesnenie. Odstráňte kryt alebo zástrčku z kartuše. Ak chcete nainštalovať kartuši jednoducho ju zaskrutkujte do regulátora v smere hodinových ručičiek. Ručne dotiahnite, nikdy nepoužívajte nástroje.

Vykonajte skúšku tesnosti všetkých spojov pred použitím grilu. Skúška tesnosti musí byť vykonaná každý rok, a zakaždým odpojením fľaše alebo keď je časť plynového systému nahradená. Jednorazové kartuše musia byť pripevnené k boku grilu, vo zvislej polohe, pomocou dodávaného upevňovacieho držiaka. Tým sa zabráni že kvapalným propán-bután / vstupom do regulátora, kte môže spôsobiť strelbu a poškodenia regulátora.



Pre správnu funkciu zaistite, že je regulačný ventil otvorený.

SK





VAROVANIE!

- Nevedzte hadicu pod odkvapkávacou miskou.
- Zaistite, aby všetky spoje boli pevne utiahnuté pomocou dvoch kľúčov. Nepoužívajte teflónovú pásku na akomkoľvek pripojení hadice.
- Uistite sa, že sa hadica nedotýkala žiadnym vysoko teplých povrchov, môže sa roztaviť a únik plynu spôsobí požiar.

Plynové hadice

- V prípade, že hadice a regulátor nie sú poskytnuté výrobcom, potom použite len hadice a regulátory, ktoré spĺňajú národné a regionálne kódy.
- Uistite sa, že hadice neprichádza do styku s tukom, kvapkami tuku alebo horúcimi plochami na prístroji.
- Kontrolujte hadicu pravidelne. V prípade potrhanej, nastavených alebo opotrebovaných, pred použitím prístroja hadicu vymeňte.
- Hadica nesmie byť dlhšia ako 1,5 m.
- Uistite sa, že je hadica sa nekrúti a pri inštalácii ju nelámte.
- Pred dátumom expirácie vymeňte hadicu.

technické dáta

V nasledujúcej tabuľke sú vstupné hodnoty pre spotrebič.

Horák	Veľkosť trysiek		tepelný príkon (celkovo)		Využitie plynu (celkovo)	
	I	II	I	II	I	II
	#69 (0.74 mm)	#73 (0.61 mm)	4.1kW	4.1kW	301 g/h	301 g/h

Certifikované Plyny / Tlaky - Skontrolujte typový štítok, aby sa zabezpečilo, že zodpovedá nasledujúcom zoznamu.

Kategória plynu	¹ 3B/P(30)	¹ 3+(28-30/37)	¹ 3B/P(50)
Veľkosť otvoru (pozri vyššie)	I	I	II
Plyny / Tlaky	Butan 30mbar Propan 30mbar	Butan 28-30mbar Propan 37mbar	Butan 50mbar Propan 50mbar
Zem	BE, BG, CY, DK, EE, FI, FR, GB, HR, HU, IS, IT, LT, LU, MT, NL, NO, RO, SE, SI, SK, TR	BE, CH, CY, CZ, ES, FR, GB, GR, IE, IT, LT, LU, LV, PT, SK, SI	AT, CH, DE, SK

Nemeňte regulátor. Používajte iba regulátorom, ktorý dodávať tlak uvedený v tabuľke vyššie. Pre výmenu používajte iba regulátor určený výrobcom.

SK

Pokyny k testovanie tesnosti



VAROVANIE! Skúška tesnosti musí byť vykonaná za rok a pokaždé, keď sa fľaša odpojí, alebo, ak sa nahradza časť plynového systému.



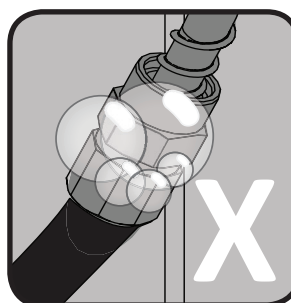
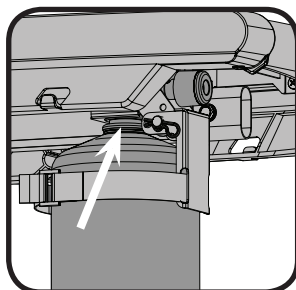
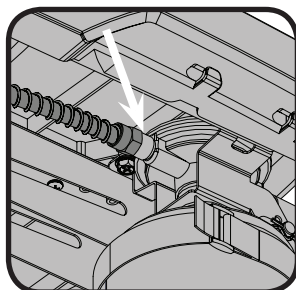
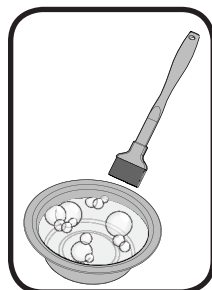
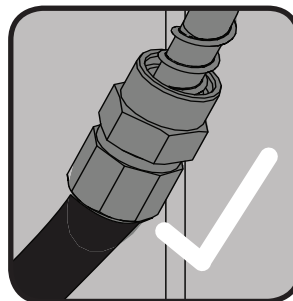
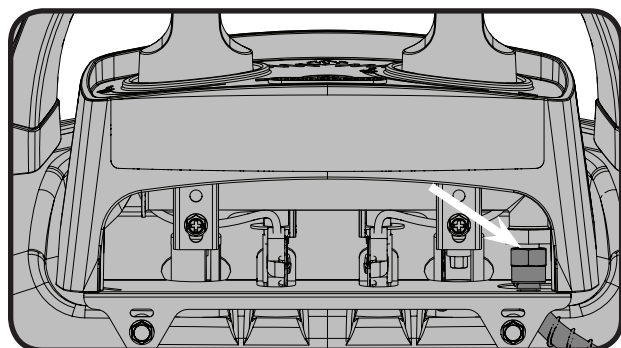
POZOR! Nikdy nepoužívajte otvorený plameň na kontrolu úniku plynu. Byť istí, žiadne iskry alebo otvorený oheň sú v tejto oblasti, zatiaľ čo vy skontrolovať tesnosť. Iskra alebo plameň bude mať za následok požiaru alebo výbuchu, škody na majetku, vážne ublíženie na zdraví alebo smrť.



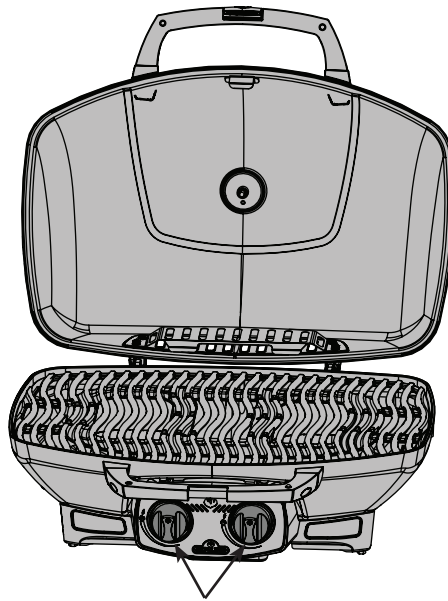
Testovanie tesnosti: Toto sa musí uskutočniť pred prvým použitím, každý rok, a vždy, keď všetky plyné zložky sú nahradené alebo opraviť. Nefajčite pri vykonávaní tohto testu, a odstráňte všetky zápalné zdroje. Pozri Testovanie netesnosti diagram pre oblasti pre kontrolu. Vypnite všetky ovládacie prvky horáka do polohy OFF. Zapnite prívod plynu ďalej.

Kefa, pol vody a pol tekutého mydla a na všetkých spojov a prípojok regulátora, hadice, trubíc a ventily. Bublíny budú indikovať únik plynu. Buď utiahnite uvoľnené kľby alebo majú časť nahradená jedným odporúčanú Napoleon oddelenia zákaznickych riešení a má gril skontrolovať certifikovaným inštalátor plynu.

Ak únik nemožno zastaviť, **okamžite vypnite prívod plynu, odpojte ho**, a majú gril skontrolovať certifikovaným inštalátor plynu alebo predajcu. Nepoužívajte gril, dokiaľ nebude opravená netesnosť.



Pokyny zapálenia



Ovládacie Horákov



VAROVANIE! Otvorte veko.

VAROVANIE! Zaistite, aby všetky ovládacie gombíky horákov boli v polohe „vypnuté“. Pomaly zapnite prívod k plynovej fľaši.

Hlavný horák

1. Otvorte veko grilu.

2. Stlačte a otočte, akýmkoľvek hlavným gombíkom horáka, pomaly do polohy „hi“. Týmto sa zapáli vybraný horák.

3. V prípade, že pilotné plameň nebude zapálený, pak ihneď otočte ovládačom späť do polohy „vypnuté“ a opakujte krok 2 niekoľkokrát.

4. V prípade, že sa horák nezapáli počas 5 sekúnd, otočte ovládací gombík do polohy „vypnuté“ a počkajte 5 minút aby sa prípadný prebytok plynu rozptýlil. Opakujte kroky 2 a 3.

5. Ak budete zapaľovať s pomocou zápalky, vložte ju do klipu. Vložte klip so zapálenou zápalkou cez rošt pod krytmi horákov a pustite ovládačom plyn do tohto horáka.



Návod grilovanie



POZOR! Nepoužívajte gril pod markízou. Nedodržanie týchto pokynov môže viesť k požiaru alebo zraneniu osôb.



NEBEZPEČENSTVO! Neukladajte tento gril ihneď po použití. Nechajte ho vychladnúť pred presunutím alebo uložením. Ak tak neurobíte, môže dôjsť k požiaru či poškodeniu majetku, úrazu alebo smrti.

Počiatkové zapálenie: pri prvom zapálení, bude gril vydávať mierny zápech plynu. To je normálne dočasný stav spôsobený vypálením vnútorných náterových hmôt a mazív používaných vo výrobnom procese, a nebude sa opakovať. Stačí spustiť hlavné horáky na vysokej horenia, približne pol hodiny. Jednoducho nechajte horieť gril na vysokom ohni asi 30 minút.

Použitie hlavného horáka: Keď chcete „zatiehnuť“ potraviny, doporučujeme predhriať gril zapnutím hlavného horáku na vysoký plameň, veko zatvorte po dobu približne 10 minút. Potraviny ktoré sa varí krátku dobu (ryby, zelenina) môže byť veko grilu otvorené. Varenie s uzavretým vekom zaistí vyššie teploty, ktoré môžu znížiť dobu varenia a mäso bude rovnomernejšie varené. Potraviny, ktoré majú dobu varenia dlhší ako 30 minút, ako je pečené mäso, môžu byť varené nepriamo (s horákom zapáleným naproti umiestnenie potravín). Pri varení veľmi chudého mäsa, ako je kuracie prsia alebo chudého bravčového mäsa, mriežky možno naolejovať pred ohrevom pre zníženie lepenie. Varenie mäsa s vysokým obsahom tuku môže vytvoriť „vzplanutí“. Redukujte množstvo tuku alebo znížte teplotu. V prípade, že dôjde k vzplanutiu, potraviny presuňte preč z plameňov a znížte teplotu. Nechajte veko otvorené.

SK

Návod na čistenie



POZOR! Pri údržbe grilu vždy používajte ochranné rukavice a ochranné okuliare.



POZOR! Aby sa predišlo možnosti popálenia, mala by byť údržba vykonávaná iba v prípade, keď je gril vychladnutý. Vyhnite sa nechránenému kontaktu s horúcimi povrchmi. Zaistite, aby boli všetky horáky vypnuté. Čistite gril v oblasti, kde čistiace prostriedky nepoškodí palubu, trávnik, či terasu. Nepoužívajte čistič na rúry na čistenie akejkoľvek časti tohto plynového grilu. Nepoužívajte samočistiaci prostriedky na rošty alebo akékoľvek iné časti. Barbecue omáčka a soľ môže byť žieravá a spôsobí prudké zhoršenie častí na plynovom grile ak nie je pravidelne čistený.

Poznámka: nerezová oceľ má sklon k oxidácii alebo vzniku škvŕn v prítomnosti chloridov a sulfidov, a to najmä v pobrežných oblastiach a iných drsných podmienkach, ako je teplo, vysoko vlhkým prostredí okolo bazénov a horúce výrivky. Tieto škvŕny môžu byť vnímané ako hrdza, ale môžu byť ľahko odstránené, alebo im možno zabrániť. Pre zaistenie prevencie a odstránenie škvŕn, premyte všetky oceleové a chrómované povrchy každé 3-4 týždne, alebo tak často, ako je požadované, čerstvou vodou a / alebo čistiacim prostriedkom na nerezovú oceľ.

Liatinové grilovacie mriežky: liatinové grilovacie mriežky dodávané s novým grilom, ponúkajú vynikajúce uchovávanie a distribúciu tepla. Pravidelným ošetrovaním svojim mriežkam pridávate ochranný povlak, ktorý pomôže v odpore voči korózii a zvýši svoje schopnosti nepríľnavosti.

Prvé použitie: Umyte grilovacie mriežky rukou s trochou čističa na riad vodou, aby sa odstránili zvyšky z výrobného procesu (nikdy neumývajte v umývačke riadu). Dôkladne opláchnite teplou vodou a utrite mäkkou handričkou. To je dôležité, aby sa zabránilo prenikaniu vlhkosti do liatiny.

Ošetrovanie: Použite mäkkú handričku s rastlinným olejom a potrite s ním všetky miesta roštu. Nepoužívajte solené tuky, ako je maslo alebo margarín. Predhrejte gril po dobu 15 minút, potom umiestnite rošty späť na gril. Otočte ovládacie gombíky horáka na strednú teplotu veko majte zavreté. Nechajte varenie mriežky ohriať približne pol hodiny. Otočte všetky horáky do polohy „OFF“ a plyn vypnite pri zdroji. Nechajte vriace mriežky vychladnúť. Tento postup by mal byť opakovaný niekoľkokrát v priebehu obdobia grilovanie, aj keď to nie je nutné pre každodenné použitie (postup denného používania).

Denné použitie: Pred predhrievaním a čistením mosadzným drôtenou kefou, potrite celý horný povrch masťou. Predhrejte gril a potom zotrite nežiaduce zvyšky mosadznou drôtenou kefou.

Čistenie vnútra v plynovom grile: Odstráňte grilovací rošt. Použite mosadznú drôtenú kefou na čistenie nečistôt z odliatku strán a pod vekom. Zmeťte všetky nečistoty z vnútra grilu plynu do odkvapkávacej misky.

Odkvapkovácia miska: Nahromadený tuk zvyšuje nebezpečenstvo požiaru. Čistite odkvapkovaciu misku tak často aby sa zabránilo nahromadeniu mastnoty. Mastnota prebytočné kvapky sa hromadí v odkvapkávacej miske, ktorá sa nachádza pod plynovým grilom. Pre čistenie, vyberte misku z grilu. Nikdy neobaľujte alebo neprekrývajte odkvapkovácia panvicu hliníkovou fóliou alebo iným materiálom, pretože to môže zabrániť správnejmu prúdeniu tuku. Panva by mala byť oškrabaná špachtľou alebo škrabkou.



POZOR! Zaistite, aby odkvapkovácia miska bola prázdna a čistá pred prepravou grilu vo zvislej polohe.

Čistenie vonkajšieho povrchu grilu: Nepoužívajte brúsne čistiace prostriedky ani drôtenku na jakovkoľvek maľovaný, porcelán alebo nerezový diel vášho grilu Napoleon. Ak tak urobíte, bude poškrabaný povrch grilu. Povrch grilu by sa mal čistiť teplou mydlovou vodou, zatiaľ čo je kov ešte na dotyk teplý. Na čistenie nerezových povrchov, použite čistič na nerezovej ocele alebo ne-abrazívne. Vždy ich utrite v smere vlákien / rýh. V priebehu doby, diely z nerezovej ocele zmení farbu pri zahriatí, zvyčajne do zlatej či hnedej farby. Toto zafarbenie je normálne a nemá vplyv na výkon grilu. S komponenty z porcelánu / smaltu je potrebné zaobchádzať so starostlivosťou. Zapečený smalt je ako sklo a ak sa poškodí, bude sa lúpať či praskať.

Pokyny pre údržbu

Odporúčame každoročne vykonať dôkladnú kontrolu a servis grilu kvalifikovaným servisným technikom.

Za všetkých okolností udržiavajte priestor na grilovanie bez horľavých materiálov, benzínu a ďalších horľavých kvapalín. Nebráňte prietoku vetracieho a spaľovacieho vzduchu. Udržiavajte vetracie otvory pre plynovú fľašu v skrini v čistote (nachádza sa na bočných stranách a na prednej a zadnej časti).



VAROVANIE! Pri čistení grilu vždy používajte ochranné rukavice a ochranné okuliare.



VAROVANIE! Vypnite plyn pri zdroji a pred údržbou odpojte aj jednotku. Aby sa predišlo možnosti popálenia, údržba by mala byť vykonávaná len v prípade, keď je gril vychladnutý. Skúška tesnosti musí byť vykonaná každý rok a vždy, keď niektorá časť bola menená.



Trubicový Horák: Horáky sú vyrobené z 304 nerezovej ocele, ale pri extrémnych teplotách a agresívnom prostredí môže spôsobiť nastať povrchovej korózie. To možno odstrániť pomocou mosadzného drôtenej kefy.

POZOR! Dajte si pozor na pavúky.



Vôňa plynu priťahuje pavúky a hmyz. Horák je vybavený vzduchovou klapkou, čo znižuje pravdepodobnosť, že hmyz bude stavať hniezda vnútri horáka, ale celkom neodstráni problém. Hniezdo alebo pavučina môže spôsobiť, že horák bude horieť žltým alebo oranžovým plameňom alebo spôsobiť požiar na vzduchovej klapke pod ovládacím panelom. Ak chcete vyčistiť vnútro horáka, musí byť odstránený z plynovom grile: Odstráňte skrutku (y), ktoré držia krížové držiaky zapalovania a horák.

Posuňte horák späť a nahor pre vybratie. Čistenie: Použite flexibilné kefa pre čistenie Venturiho trubice (vnútorné časti horáka). Vytrite všetky uvoľnené nečistoty z horáka vstupným otvorom plynu. Skontrolujte, či nie sú trubičky horáka a ventilové otvory upchaté. Trubičky horáka sa môžu zaniest v priebehu času vzhľadom na zvyškom jedla z varenia alebo korózií, použite otvorenú kancelársku sponku. Porty sa ľahšie čistia, ak je horák odstránený z grilu, ale možno vykonať aj s horákom nainštalovaným.

POZOR! Dávajte pozor, aby ste nezväčšili diery

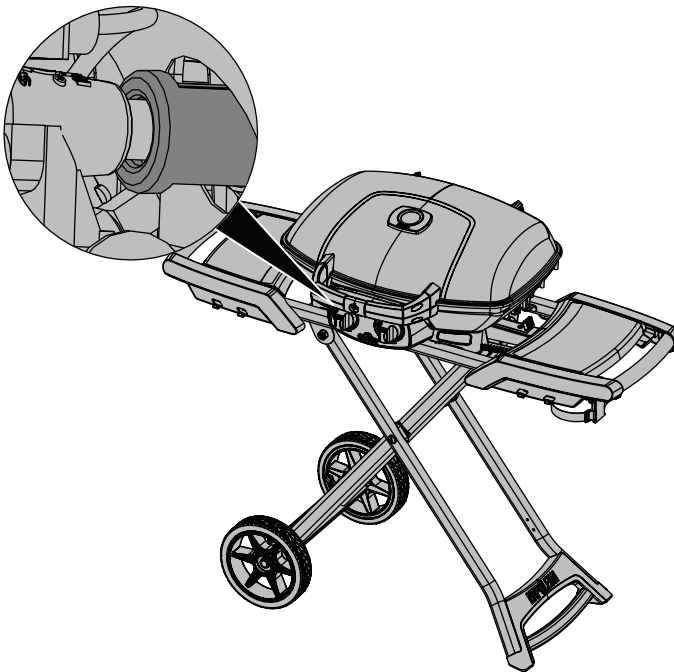
Reinštalácia: opačný postup preinštalovania horáka. Pri inštalácii skontrolujte, či je ventil v horáku.

Vymeňte krížový držiak zapalovania a utiahnite skrutky na dokončenie preinštalovanie.

SK



POZOR! Pri opätovnej inštalácii horáka po čistení je veľmi dôležité, že ventil / otvor vstúpi do trubice horáka pred zapálením vášho plynového grilu. Ak ventil nie je vo vnútri rúrky horáku by mohlo dôjsť k požiaru alebo výbuchu.



SK



VAROVANIE! Hadice: Skontrolujte odreniny, tavenie, rezy, a praskliny v hadici. Ak existuje niektorý z týchto stavov, nepoužívajte plynový gril. Časť vymeňte u svojho predajcu Napoleon alebo s odborným technikom.

Riešenie problémov

Problém	Možné príčiny	Riešenie
Nízkej teplo / Malý plameň, keď sa ventil otvorí	upchatie plynu. Nesprávne predhriatie.	Skontrolujte, či nie sú v horáku alebo otvore pavučiny. Predhrejte gril hlavnými horákmi na vysokom stupni 5 až 10 minút.
Príliš vzplanutia / nerovnomerné teplo.	Nesprávne predhriatie. V zásobníku je veľa tuku alebo popole	Predhrejte gril hlavnými horákmi na vysokom stupni 5 až 10 minút. Pravidelne čistite odkvapkávaciu misku. Nevykladajte ju hliníkovou fóliou. Viď čistenie pokyny.
Horáky horí žltým plameňom, sprevádzané vôňou plynu.	Možno pavučina iné nečistoty, alebo nesprávne nastavenie vzduchovej klapky.	Dôkladne očistite horák. Pozri všeobecné pokyny pre údržbu. Otvorte mierne prívod vzduchu v súlade s pokynmi (Musí byť vykonané kvalifikovanou osobou pre inštaláciu plynu.)
Plamene sa dvíhajú od horáka, sprevádza vôňa plynu, a možno aj problémy so zapálením / horením.	Nesprávne nastavenie vzduchovej klapky.	mierne zatvorte vzduchovej klapky v súlade s pokynmi úprav spaľovacieho vzduchu. (Musí byť vykonané kvalifikovanou osobou pre inštaláciu plynu.)
Horák sa nezapáli zabudovaným zapalovačom, ale je možno ho zapáliť sirkou.	výstup trysiek je špinavý alebo upchaný.	vyčistite trysky s mäkkou kefkou.
Hučanie regulátora.	Normálny výskyt v horúcich dňoch.	To nie je závada. Je to spôsobené vnútornými vibráciami v regulátora a nemá to vplyv na výkon alebo bezpečnosť plynovom grile. Hučiaci regulátor nebude nahradený.
“farba“ sa odlupuje z vnútra veka Nebo krytu	nahromadenie tuku na vnútorných povrchoch.	To nie je závada. Povrchová úprava na veku a “kapučiu” je z nerezovej ocele. Odlupovanie je spôsobené kalným tukom, ktorý schne, a bude sa odlupovať. Zabráňte tomu pravidelným čistením. Viď čistenie
Výkon horáka na “vysoké” nastavenie je príliš nízky. (Drnčiaci hluk a vlajúce modrý plameň na povrchu horáka.)	Nedostatok plynu. Prívodnej hadice je poblednutá. Špinavý alebo upchaný otvor. Pavučiny alebo iné látky vo Venturiho trubici.	Skontrolujte hladinu plynu vo valci propánu. Premiestnite prívodnej hadice podľa potreby. Vyčistite otvor horáka. Vyčistite Venturiho trubice.

SK

Uschovajte účtenku ako doklad o nákupe na overenie vašej ZÁRUKY.

Objednávajúce náhradných dielov

Informácie o záruke

MODEL: _____

DÁTUM NÁKUPU: _____

SÉRIOVÉ ČÍSLO: _____

(Záznam informácií pre ľahkú orientáciu)

Než sa obrátite na oddelenie zákazníckych riešení, skontrolujte Napoleon webové stránky pre rozsiahlejšie informácie -čistenie, údržbu, odstraňovanie problémov a náhradné diely na www.napoleongrills.sk. Obráťte sa na svojho miestneho distribútora priamo (pozri zoznam kontaktov distribútorov grilov) pre náhradné diely a záručnej reklamácie.

Ak chcete spracovať reklamáciu, musíme mať k dispozícii nasledujúce informácie:

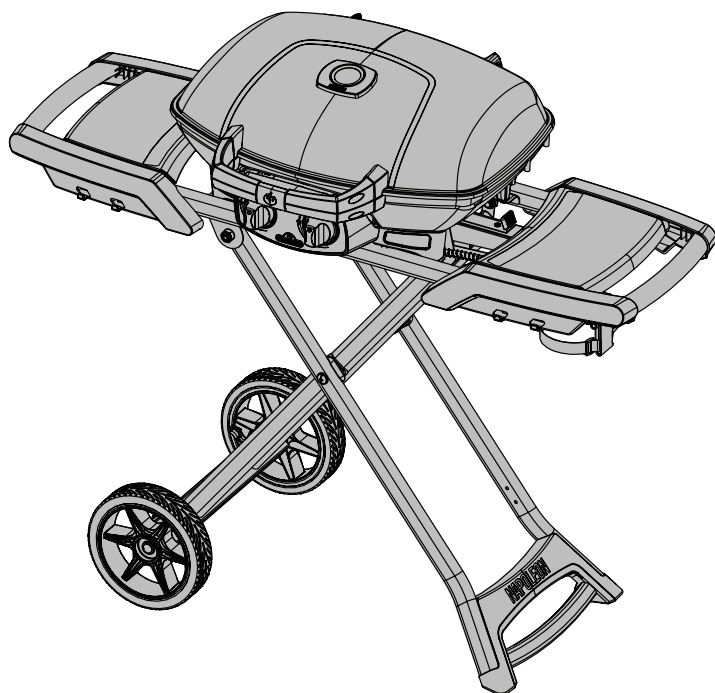
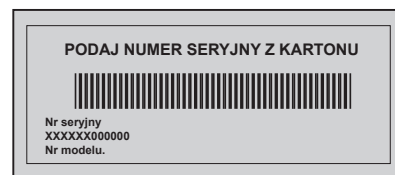
1. Model a výrobné číslo prístroja.
2. Katalógové číslo a popis.
3. Stručný opis problému („zlomený“ nie je dostatočná).
4. Fotodokumentaci
5. Doklad o nákupe (fotokópie faktúry).

V niektorých prípadoch riešenie by mohol zástupca požiadať o kontrolu v továrni pred poskytnutím náhradných dielov. Tieto diely musia byť odoslané zpet dovozci.

Než sa obrátite na riešenie pre zákazníkov, prosím, zoberte na vedomie, že na tieto položky sa nevzťahuje záruka:

- Náklady na dopravu, sprostredkovanie alebo vývozného cla.
- Náklady na pracovnú silu na odstránenie a reinštaláciu.
- Náklady na službu volania a diagnostika problému.
- Zafarbenie dielov z nerezovej ocele.
- Zlyhanie časti kvôli nedostatku údržby, alebo použitie nevhodných čistiacich prostriedkov (istiaci rúru).

Ten grill gazowy musi być używany tylko na zewnątrz w dobrze wentylowanym miejscu i nie może być używany w budynku, garażu, osłoniętym ganku, altanie ani innym ogrodzonym terenie.



PL



NIEBEZPIECZEŃSTWO

JEŚLI POCZUJESZ ZAPACH GAZU:

- Odłącz gaz od urządzenia.
- Zgaś otwarty płomień.
- Otwórz pokrywę.
- Jeśli nadal czujesz zapach, trzymaj się z dala od urządzenia i natychmiast wezwij swojego dostawcę gazu lub straż pożarną.



OSTRZEŻENIE

Nie próbuj zapalić tego urządzenia bez przeczytania instrukcji „ZAPALANIA” w tym podręczniku.

Nie przechowuj ani nie używaj benzyny ani innych łatwopalnych płynów ani oparów w pobliżu tego lub innego urządzenia. Butla gazowa nie podłączona do żytku nie może być przechowywana w pobliżu tego ani innego urządzenia. Jeśli informacje w tych instrukcjach nie są dokładnie przestrzegane, może dojść do pożaru lub wybuchu, powodując straty materialne, obrażenia ciała lub śmierć.

Informacja dla instalatora: Zostaw te instrukcje u właściciela grilla na przyszłość.



N415-0340CE-E MAR 12.18

Wolf Steel Europe BV
Poppenbouwing 29-31, 4191 NZ Geldermalsen,
CCI No. 51509970, THE NETHERLANDS
info@napoleongrills.nl

www.napoleongrills.com

10-letnia ograniczona gwarancja Napoleon



Produkty NAPOLEON są zaprojektowane z najwyższej klasy komponentów i materiałów oraz są montowane przez wyszkolonych rzemieślników, którzy są dumni ze swojej pracy. Przed przystąpieniem do pakowania i wysyłki produkt został dokładnie sprawdzony przez wykwalifikowanego technika w celu zapewnienia, że klient otrzyma produkt, którego oczekuje od firmy NAPOLEON.

NAPOLEON gwarantuje, że komponenty nowego produktu NAPOLEON będą wolne od wad materiałowych i produkcyjnych od daty zakupu przez następujący okres:

Odlewy aluminiowe oraz podstawa ze stali nierdzewnej	10 lat
Pokrywa ze stali nierdzewnej	10 lat
Pokrywa z emalii porcelanowej	10 lat
Pokrywa ze stali malowanej	5 lat pełnej ochrony, plus 50% rabatu na części do 10 lat
Palniki rurowe ze stali nierdzewnej.....	5 lat pełnej ochrony, plus 50% rabatu na części do 10 lat
Ruszty żeliwne	5 lat pełnej ochrony, plus 50% rabatu na części do 10 lat
Oslony palników ze stali nierdzewnej lub porcelanowe	3 lata pełnej ochrony, plus 50% rabatu na części do 10 lat
Pozostałe elementy	2 lata

*Warunki i ograniczenia

Niniejsza ograniczona gwarancja tworzy okres gwarancji określony w powyższej tabeli dla każdego produktu zakupionego przez autoryzowanego dealera firmy NAPOLEON oraz uprawnia pierwotnego nabywcę do określonej ochrony w odniesieniu do jakiegokolwiek elementu wymienionego w okresie gwarancji przez firmę NAPOLEON lub autoryzowanego dealera firmy NAPOLEON, do wymiany komponentu takiego produktu, którego użytkowanie, w wyniku wad produkcyjnych, nie było możliwe przy normalnej eksploatacji do celów prywatnych. Rabat 50% wskazany w tabeli oznacza, że dany komponent będzie mógł być zakupiony przez nabywcę z 50% rabatem od ceny detalicznej we wskazanym okresie. Niniejsza ograniczona gwarancja nie obejmuje akcesoriów ani elementów premiowych.

Dla pewności, „użytkowania prywatne” produktu oznacza, że produkt: został zainstalowany przez licencjonowanego autoryzowanego technika lub wykonawcę, zgodnie z instrukcjami montażu dołączonymi do produktu oraz zgodnie ze wszystkimi lokalnymi i krajowymi przepisami budowlanymi i przeciwpożarowymi; był właściwie konserwowany; i nie był wykorzystywany jako obiekt użyteczności publicznej lub do zastosowań komercyjnych.

Podobnie, „awaria” nie obejmuje: przegrzewania, wybuchów płomieni spowodowanych przez warunki atmosferyczne takie jak silny wiatr lub z powodu niedostatecznej wentylacji, zadrapań, wgłęć, korozji, odchodzenia farby, odbarwienia spowodowanego przez ciepło, chemiczne lub ściernie środki czyszczące lub działanie promieni UV, odpryskiwanie porcelanowych elementów lub uszkodzeń spowodowanych niewłaściwym użyciem, wypadkiem, gradem, zapaleniem się tłuszczu, brakiem konserwacji, obecnością szkodliwych substancji jak sól lub chlor, przeróbkami, nadużyciem, zaniedbaniem lub montowaniem nieoryginalnych części zamiennych. W przypadku pogorszenia się jakości części z powodu niewłaściwego działania urządzenia (rdzy lub przepalenia) w czasie trwania gwarancji, część zamienna zostanie dostarczona.

Wymieniany komponent jest wyłączną odpowiedzialnością NAPOLEON określoną niniejszą ograniczoną gwarancją; w żadnym wypadku firma NAPOLEON nie będzie ponosić odpowiedzialności za montaż pracę lub inne koszty lub wydatki związane z ponownym montażem części gwarancyjnej, za jakiegokolwiek przypadkowe, wtórne lub pośrednie ani za jakiegokolwiek koszty transportu, pracy i wywozowe należności celne.

Ograniczona gwarancja jest udzielana w uzupełnieniu wszelkich praw przyznanych Państwu przez lokalne przepisy prawa. W związku z tym niniejsza ograniczona gwarancja nie nakłada na firmę NAPOLEON obowiązku posiadania części zapasowych na magazynie. W zależności od dostępności części, firma NAPOLEON może według własnego uznania wywiązać się ze wszystkich zobowiązań, dostarczając klientowi proporcjonalny kredyt na nowy produkt. Po pierwszym roku w odniesieniu do tej ograniczonej gwarancji, firma NAPOLEON może, według własnego uznania, w pełni wywiązać się ze wszystkich zobowiązań związanych z niniejszą gwarancją, zwracając pierwotnemu nabywcy chronionemu gwarancją cenę hurtową jakiegokolwiek objętej gwarancją, ale wadliwej części.

W przypadku składania w firmie NAPOLEON roszczeń gwarancyjnych, wymagane jest przedstawienie dokumentu sprzedaży lub jego kopii wraz z numerem modelu.

Firma NAPOLEON zastrzega sobie prawo do sprawdzenia jakiegokolwiek produktu lub części przez swojego przedstawiciela przed zaakceptowaniem roszczenia gwarancyjnego. Należy skontaktować się z Działem Obsługi klienta firmy NAPOLEON lub autoryzowanym sprzedawcą NAPOLEON w celu uzyskania świadczenia z tytułu gwarancji.



napoleongrills.com

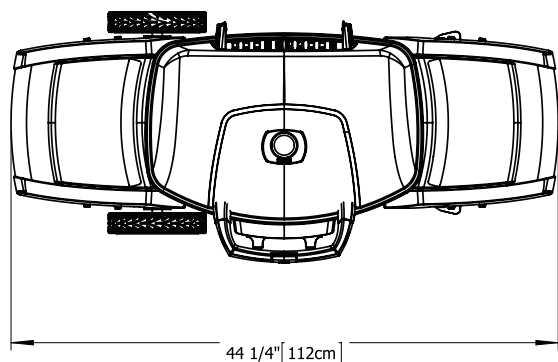


UWAGA! Niezastosowanie się do tych instrukcji może doprowadzić do uszkodzenia sprzętu, obrażeń ciała lub śmierci. Przeczytaj i zastosuj się do wszystkich uwag i instrukcji w tym podręczniku zanim uruchomisz grill.

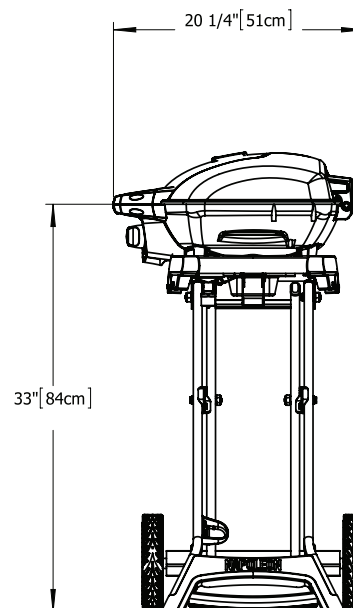
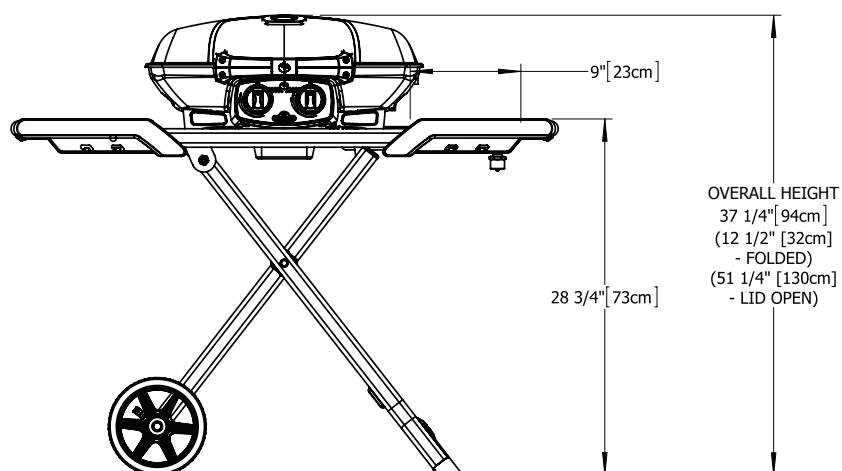
Instrukcje bezpiecznego użytkowania

- Grill gazowy należy zmontować dokładnie według instrukcji. Jeśli grill został zmontowany w sklepie, należy przejrzeć instrukcje i upewnić się, co do jego właściwego montażu, a przed uruchomieniem grilla wykonać wymaganą próbę szczelności.
- Przed użyciem grilla należy przeczytać całą instrukcję obsługi.
- Niniejszy grill gazowy należy stosować wyłącznie na zewnątrz budynku, w dobrze wentylowanym miejscu – zabrania się stosowania grilla w budynku, garażu, na obudowanym ganku, w altanie czy w jakiegokolwiek innej przestrzeni zamkniętej.
- Ten grill gazowy został przystosowany do używania z propanem, butanem lub mieszaniną propan/butan.
- Nie stawiać urządzenia w miejscu wystawionym na działanie wiatru. Silny wiatr źle wpływa na wydajność grilla gazowego.
- W żadnym wypadku nie wolno modyfikować grilla gazowego. Nie należy manipulować częściami zabezpieczonymi przez producenta, autoryzowany serwis techniczny czy dostawcę.
- Nie stosować urządzenia pod łatwopalną konstrukcją.
- Należy zachować odpowiednią odległość od materiałów łatwopalnych (41 cm z tyłu i 61 cm po bokach urządzenia). Zaleca się również zachowanie odstępu w sąsiedztwie okładzin winylowych lub szyb.
- Wąż gazowy powinien być zainstalowany tak, aby nie miał kontaktu z żadnymi gorącymi powierzchniami grilla zarówno w trakcie przyrządzania potraw jak i przechowywania.
- Kartusz z gazem powinien być odłączony, gdy grill nie jest w użyciu.
- Kiedy kartusz z gazem jest podłączony do grilla, zarówno grill jak i zbiornik powinny znajdować się na zewnątrz w dobrze wentylowanej przestrzeni.
- Kiedy grill gazowy przechowywany jest w zamkniętym pomieszczeniu, kartusz z propanem powinien być odłączony od grilla i przechowywany na zewnątrz w dobrze wentylowanej przestrzeni w miejscu niedostępnym dla dzieci. Odłączonych kartuszy z gazem nie należy przechowywać w budynku, garażu czy innej zamkniętej przestrzeni.
- Przed każdym użyciem grilla należy sprawdzić wąż doprowadzający gaz. W razie stwierdzenia znacznego wytarcia, zużycia lub przecięcia węża, przed użyciem grilla gazowego należy taki wąż wymienić, stosując zestaw węzowy wskazany przez producenta grilla.
- Nigdy nie należy przechowywać pojemnika z gazem pod lub w pobliżu grilla.
- Wąż gazowy nie powinien być instalowany pod tacą ociekową – należy zachować odpowiednią odległość.
- Przed pierwszym użyciem urządzenia, a także co roku i po każdej wymianie elementów gazowych, należy przeprowadzić próbę szczelności
- Podczas korzystania z grilla należy ściśle przestrzegać instrukcji zapalania.
- Nie zapalać palników, kiedy pokrywa jest zamknięta.
- Dorośli oraz szczególnie dzieci powinni mieć na uwadze niebezpieczeństwa związane z gorącymi powierzchniami i wysoką temperaturą. Małe dzieci powinny być nadzorowane przez dorosłych
- Nie pozostawiać włączonego grilla bez nadzoru.
- Nie przemieszczać rozgrzanego lub uruchomionego grilla.
- Uważać, aby w pobliżu rozgrzanych powierzchni nie znajdowały się żadne kable zasilania elektrycznego ani węże doprowadzające gaz.
- Upewnić się, że osłony palników (jeśli dostępne) są ułożone prawidłowo.
- Zbiornik na tłuszcz i osłony palników (jeśli dostępne) należy regularnie czyścić, aby nie zgromadził się na nich tłusty osad, który mógłby się zapalić.
- Nie używać wody, piwa ani żadnego innego płynu do kontrolowania ognia.
- Nie stosować myjek ciśnieniowych do czyszczenia którejkolwiek części urządzenia.
- Ten grill gazowy nie jest przeznaczony do użytku komercyjnego.
- Ten grill gazowy nie jest przeznaczony ani nigdy nie powinien być używany jako grzejnik.

WYMIARY



GRILL SIZE: 14 1/2 in X 21 1/2 in (IRREGULAR) = 285 in² (37 cm X 54 cm (IRREGULAR)= 1840 cm²)
ALL DIMENSIONS ARE APPROXIMATE



PL

Obchodź się ostrożnie



UWAGA! Należy ostrożnie obchodzić się z bądź przenosić grill gazowy, aby zapobiec uszkodzeniom czy przesunięciom komponentów wewnętrznych. Mimo, iż grill został zaprojektowany mając na uwadze mobilność, jednak nieodpowiednie obchodzenie się czy nadużycie może spowodować uszkodzenia elementów wewnętrznych, co wpłynie negatywnie na poprawne funkcjonowanie grilla.

Prawidłowa utylizacja tego produktu

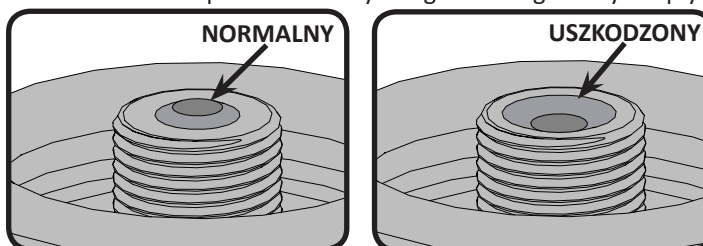


To oznaczenie wskazuje, że produkt ten nie powinien być utylizowany razem z innymi odpadami gospodarstwa domowego w całej UE. Aby uniknąć szkodliwego wpływu na środowisko lub zdrowie ludzi wskutek niekontrolowanego usuwania odpadów, utylizuj go prawidłowo aby promować ponowne użycie zasobów materialnych. Aby zwrócić używane urządzenie, skorzystaj z usług firmy recyklingowej.

Kartusz gazowy

Należy używać jedynie kartuszy gazowych, które spełniają krajowe i regionalne wymogi. Dla optymalnej wydajności grill powinien być zasilany propanem. Wymienne kartusze muszą spełniać normę EN417 i muszą być wyposażone w zawór samouszczelniający. Kartusze muszą mieć pojemność między 430g a 460g. Kartusze muszą być napełnione propanem lub mieszanką propan/butan.

- Sprawdź gumową uszczelkę w regulatorze. Jeśli jest uszkodzona, wymień regulator.
- Nigdy nie należy podłączać kartusza, który nie spełnia lokalnych norm.
- Kartusze muszą zawsze znajdować się w pozycji pionowej i muszą być umieszczone w dołączonym uchwycie znajdującym się z boku grilla.
- Nigdy nie należy przechowywać zapasowych kartuszy w bliskiej odległości od pracującego urządzenia. Kartusze nie mogą być wystawione na działanie wysokiej temperatury lub promieni słonecznych.
- Nigdy nie należy dokręcać kartusza za mocno. Przekręcenie może spowodować uszkodzenie połączenia regulatora lub kartusza. To może powodować wyciek gazu lub ograniczyć dopływ gazu do urządzenia.

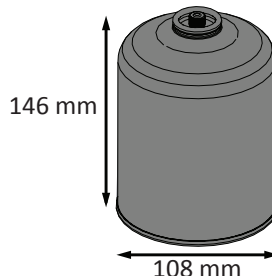


OSTRZEŻENIE! Nasadka przeciwkurzowa zawsze powinna być na swoim miejscu, gdy kartusz nie jest używany, aby zapobiec dostawaniu się zanieczyszczeń do zaworu.

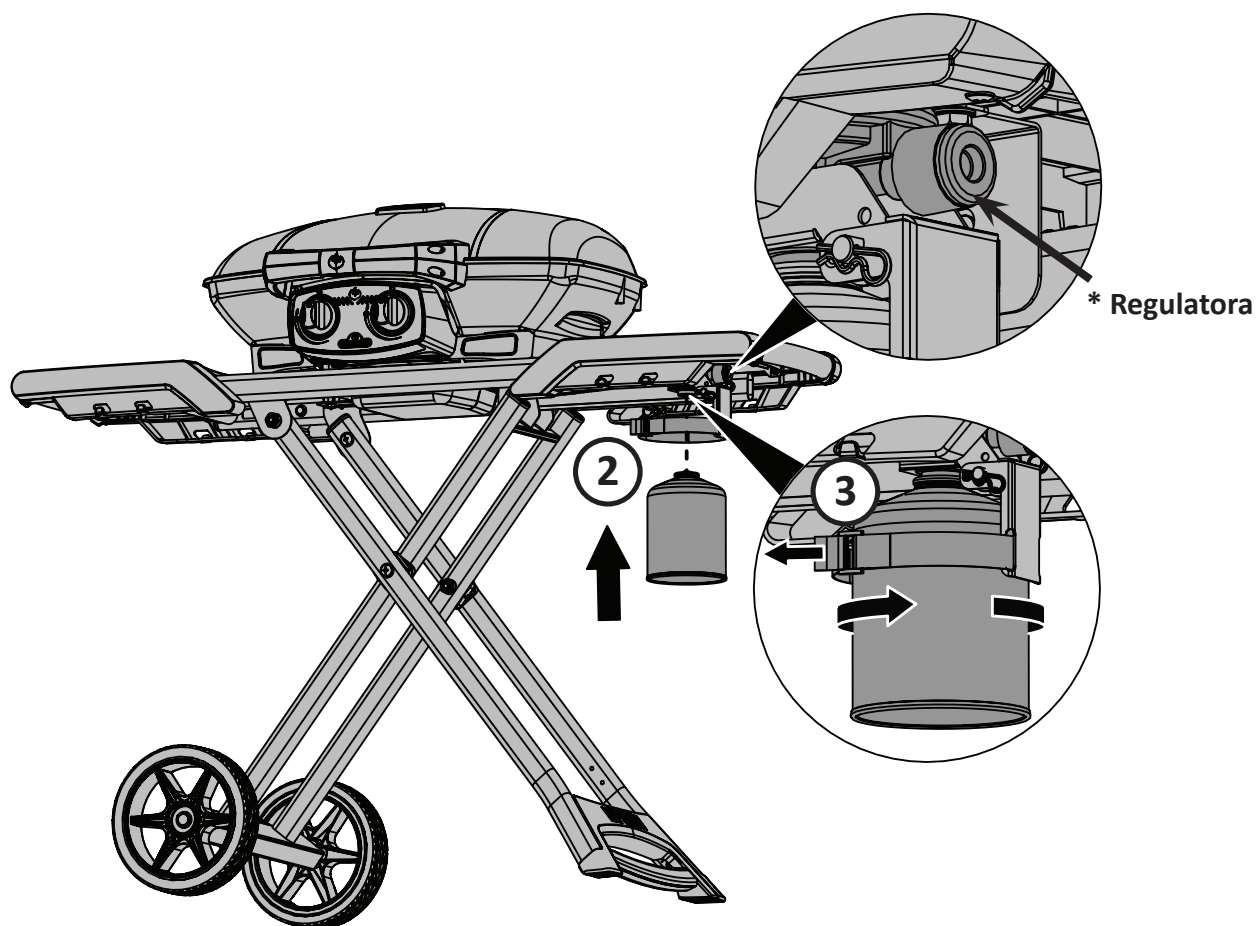
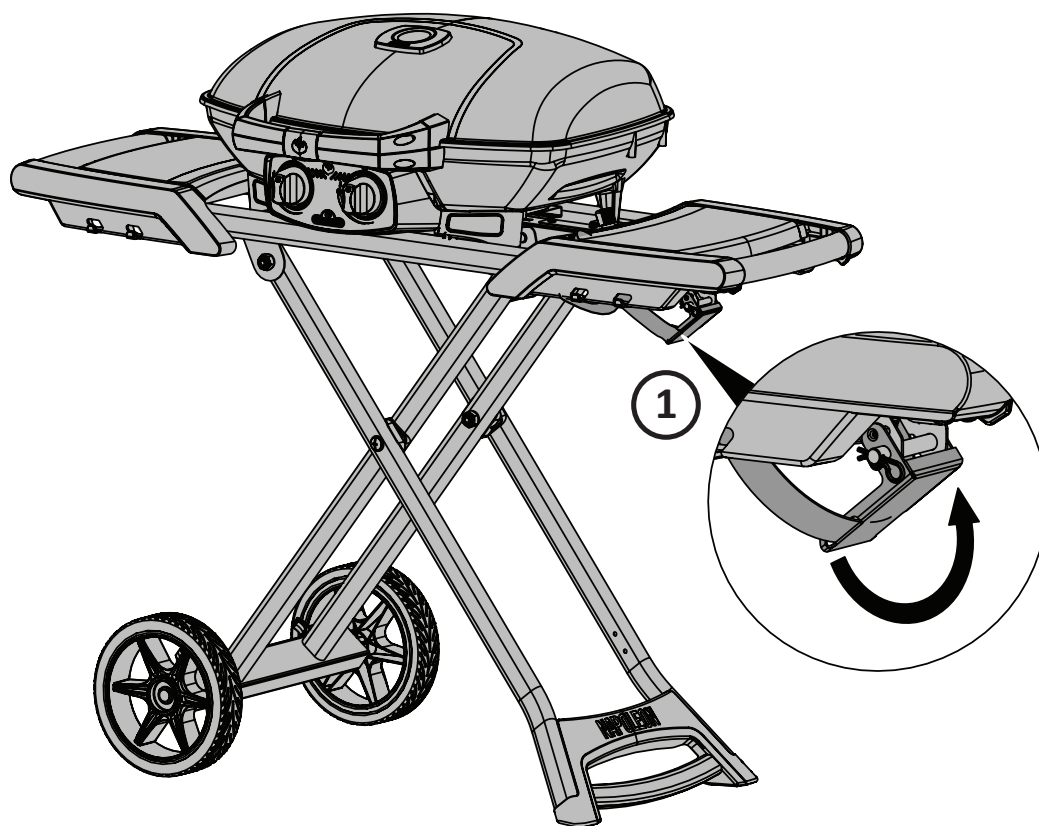
OSTRZEŻENIE! Przed użyciem należy przeczytać instrukcję na kartuszu. Wgnieciony lub zardzewiały kartusz może być niebezpieczny. Nie używaj kartusza, jeśli w miejscu podłączenia znajduje się rdza lub inne zanieczyszczenia.

Podłączenie kartusza: Upewnij się, że wąż regulatora gazowego nie jest skręcony. Kartusz posiada połączenie, które nie pozwoli na przepływ gazu dopóki nie zostanie przerwana uszczelka. Usuń osłonę z kartusza. Aby zamocować kartusz, należy wkręcać go w regulator w kierunku zgodnym z ruchem wskazówek zegara. Dokręcać ręcznie, nigdy nie używać narzędzi.

Wszystkie połączenia powinny przejść test szczelności przed uruchomieniem urządzenia. Test taki powinien być wykonywany corocznie i za każdym razem kiedy zbiornik z gazem jest przyłączany lub jakaś część układu została wymieniona. Kartusze muszą zawsze znajdować się w pozycji pionowej i muszą być umieszczone w dołączonym uchwycie znajdującym się z boku grilla. To zapobiegnie wnikaniu ciekłego gazu do regulatora, co może spowodować nadmierny płomień lub uszkodzenie regulatora.



* Dla zapewnienia właściwego działania upewnij się, że pokrętko regulacji regulatora jest dokręcone ręcznie (zgodnie z kierunkiem ruchu wskazówek zegara)



PL



OSTRZEŻENIE!

- Nie instaluj węża gazowego pod tacą ociekową.
- Upewnij się, że wszystkie połączenia są dokręcone za pomocą dwóch kluczy. Nie używaj taśmy teflonowej ani żadnego innego połączenia.
- Upewnij się, że wąż gazowy nie styka się z żadną nagrzewającą się powierzchnią. W innym wypadku wąż stopi się a gaz zacznie wyciekać powodując pożar.

Wąż gazowy

- Jeśli wąż i regulator nie zostały dołączone przez producenta, należy używać tylko węży i regulatorów spełniających krajowe i regionalne normy.
- Upewnij się, że wąż nie styka się z tłuszczem, innymi gorącymi wyciekami czy powierzchniami.
- Sprawdzaj wąż regularnie. W przypadku przetarcia czy stopienia, wymień wąż przed uruchomieniem urządzenia.
- Przewód gazowy nie powinien być dłuższy niż 1.5m.
- Upewnij się, że wąż nie jest skręcony ani splątany.
- Wymień przewód przed upływem jego daty ważności.

Dane techniczne

W poniższej tabeli podano wartości wejściowe urządzenia.

Palnik	Wielkość otworu		(Całkowita) Moc cieplna (łącznie)		Zużycie gazu (łącznie)	
	I	II	I	II	I	II
	#69 (0.74 mm)	#73 (0.61 mm)	4.1kW	4.1kW	301 g/hr	301 g/hr

Dopuszczalne wartości gazów / ciśnienia – należy upewnić się, że wartości na tabliczce znamionowej odpowiadają tym w wykazie.

Kategoria gazu	'3B/P(30)	'3+(28-30/37)	'3B/P(50)
Wymiary otworów (patrz wyżej)	I	I	II
Gaz i jego ciśnienie	Butan pod ciśnieniem 30 mbar i propan pod ciśnieniem 30 mbar	Butan pod ciśnieniem 28-30 mbar i propan pod ciśnieniem 37 mbar	Butan pod ciśnieniem 50 mbar i propan pod ciśnieniem 50 mbar
Kraje	BE, BG, CY, DK, EE, FI, FR, GB, HR, HU, IS, IT, LT, LU, MT, NL, NO, RO, SE, SI, SK, TR	BE, CH, CY, CZ, ES, FR, GB, GR, IE, IT, LT, LU, LV, PT, SK, SI	AT, CH, DE, SK

Instrukcje Sprawdzania Szczelności



UWAGA! Test szczelności należy przeprowadzać co roku i za każdym razem kiedy podłączana jest butla lub jeśli wymieniana jest część systemu gazowego.



UWAGA! Nigdy nie używaj otwartego ognia aby sprawdzić przecieki gazu. Miej pewność, że w okolicy nie ma żadnych iskier ani otwartych płomieni podczas sprawdzania szczelności. Iskry lub otwarty ogień doprowadzi do pożaru lub wybuchu, uszkodzenia mienia, poważnych obrażeń ciała lub śmierci.



Badanie szczelności: Musi być ono przeprowadzane przed pierwszym użyciem, co roku, i za każdym razem podczas wymiany lub serwisowania części gazowych. Nie pal podczas wykonywania tego testu, usuń wszystkie źródła zapłonu. Zobacz Diagram Testu Szczelności dla obszarów, które należy sprawdzić. Wyłącz wszystkie kontrolki palnika. Włącz zawór gazu.

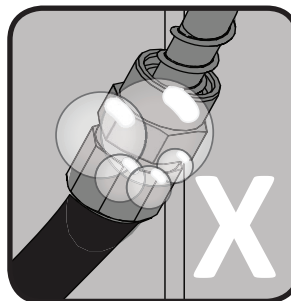
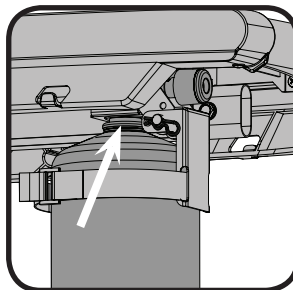
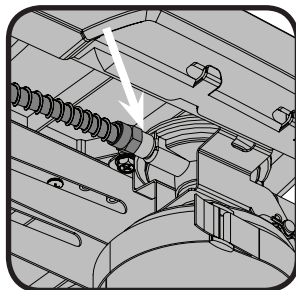
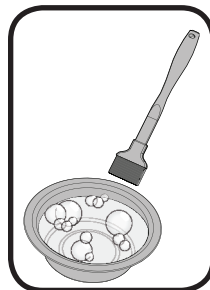
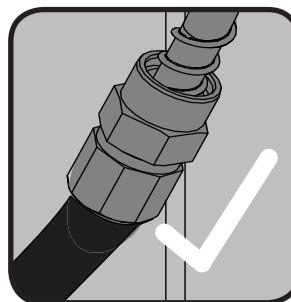
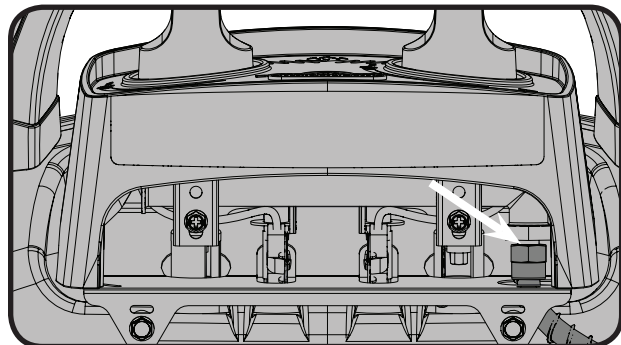


Nałóż roztwór płynnego mydła i wody pół na pół na wszystkie stawy i połączenia regulatora, węża, rozdzielaczy i zaworów.

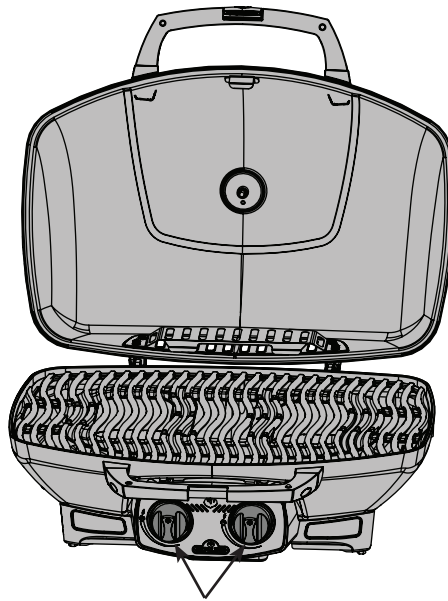


Bańki wskażą wyciek gazu. Albo dokręć luźne złącza albo wymień tą część częścią rekomendowaną przez oddział ds. klienta Napoleon i poproś o sprawdzenie przez certyfikowanego instalatora gazu.

Jeśli wyciek nie może być zatrzymany, **natychmiast wyłącz dopływ gazu**, odłącz go, i poproś o sprawdzenie certyfikowanego instalatora albo sprzedawcę gazu. Nie używaj grilla do czasu naprawienia wycieku.



Instrukcje zapalania



Pokręta Kontrolne Palników



OSTRZEŻENIE! Otwórz pokrywę

OSTRZEŻENIE! Upewnij się, że wszystkie kontrolki palnika są wyłączone. Podłącz butlę.

PL

Rozpalanie palnika głównego

1. Otwórz pokrywę grilla

2. Popchnij i wolno przekręć którekolwiek pokrętko palnika do pozycji "HIGH". Ta czynność pozwoli na odpalenie wybranego palnika.

3. Jeśli palnik się nie rozpali, przekręć pokrętko do pozycji "OFF" i powtórz krok nr 2 kilkakrotnie.

4. I Jeśli płomień i palnik nie zapalą się w ciągu 5 sekund, wyłącz pokrętko i odczekaj 5 minut, aby rozwiął się nadmiar gazu. Albo powtórz kroki 2 i 3 albo rozpal zapałką.

5. Jeśli zapalasz urządzenie zapałką, wepnij zapałkę do dostarczonego pręta do zapalania. Przytrzymaj zapaloną zapałkę przez grill podczas przekręcania odpowiedniego pokrętko do pozycji "HIGH".



Instrukcja gotowania



OSTRZEŻENIE! Nie należy używać grilla pod zadaszeniami. Nieprzestrzeganie tego ostrzeżenia może spowodować pożar lub obrażenia ciała.



NIEBEZPIECZEŃSTWO! Nie należy przechowywać ani przemieszczać grilla natychmiast po zakończeniu używania. Należy poczekać, aż grill wystygnie. Nieprzestrzeganie tego ostrzeżenia może spowodować pożar, uszkodzenie sprzętu, obrażenia ciała lub śmierć.

Początkowe Zapalenie: Zapalając po raz pierwszy, grill gazowy emituje niewielki zapach. Jest to normalny stan tymczasowy spowodowany przez „wypalanie się” farb wewnętrznych i smarów użytych podczas procesu produkcji i nie ma miejsca ponownie. Po prostu uruchom główne palniki na wysokich opcjach na około pół godziny.

Używanie grilla: Podczas smażenia potraw zalecamy nagrzanie grilla poprzez włączenie i ustawienie wszystkich palników w najwyższej pozycji przy zamkniętej pokrywie przez 10 minut. Potrawy wymagające krótkiego grillowania (ryby, warzywa) mogą być przyrządzane przy otwartej pokrywie. Grillowanie przy zamkniętej pokrywie daje wyższą, bardziej równą temperaturę, co skraca czas przyrządzania potraw i powoduje, że jedzenie jest upieczone równomiernie. Potrawy wymagające dłuższego czasu przygotowania (ponad 30 minut), takie jak pieczeń, mogą być przyrządzane pośrednio (z rozpalonym palnikiem przeciwnym do miejsca ułożenia mięsa). Przyrządzając chudego mięsa jak pierś z kurczaka czy chude mięso wieprzowe, ruszty powinny być posmarowane oliwą, co zapobiega przywieraniu potraw. Przyrządzanie tłustego jedzenia może spowodować wybuchy ognia. Aby temu zapobiec należy odciąć tłuszcz lub zredukować temperaturę. Jeśli takie płomienie się pojawią, należy odsunąć jedzenie z ognia, zredukować temperaturę i otworzyć pokrywę. Więcej informacji znajdziesz w książce kucharskiej Napoleon.

Instrukcja czyszczenia



UWAGA! Zawsze noś rękawice ochronne i okulary podczas obsługiwan grilla.



UWAGA! Aby uniknąć oparzeń, konserwację należy przeprowadzać tylko wtedy, kiedy grill jest chłodny. Unikaj niezabezpieczonego kontaktu z gorącymi powierzchniami. Upewnij się, że wszystkie palniki są wyłączone. Wyczyść grill w miejscu, gdzie substancje czyszczące nie uszkodzą pokładu, trawników ani patio. Nie używaj substancji do czyszczenia piekarnika aby czyścić jakiegokolwiek części tego grilla gazowego. Nie używaj substancji samoczyszczącej do piekarnika do czyszczenia krat do gotowania lub innych części grilla gazowego. Sos barbecue i sól mogą być żrące i spowodują gwałtowne pogorszenie się elementów grilla gazowego, chyba że będą czyszczone regularnie.

Uwaga: Stal nierdzewna może się utleniać lub plamić w obecności chlorków i siarczków, szczególnie w obszarach przybrzeżnych i innych trudnych warunkach, takich jak ciepłe, wysoce wilgotne otoczenie basenów i gorących kąpielisk. Plamy te mogą być postrzegane jako rdza, ale mogą być łatwo usunięte lub można im zapobiec. W celu zapobiegania lub usuwania plamom, umyj wszystkie powierzchnie ze stali szlachetnej co 3-4 tygodnie lub tak często jak potrzeba czystą wodą i/lub środkiem czyszczącym do stali nierdzewnej.

Ruszty żeliwne: żeliwne ruszty dostarczane razem z twoim nowym grillem doskonale zatrzymuje i dystrybuują ciepło. Regularna konserwacja rusztów zapewnia im powłokę ochronną, która ochroni ruszty przed korozją i zwiększy ich zdolność do nieprzywierania.

Pierwsze użycie: Umyj ruszty w ciepłej wodzie z mydłem, aby pozbyć się osadu pozostałego po procesie produkcyjnym (nigdy nie myj rusztów w zmywarce). Spłucz dokładnie gorącą wodą i wytrzyj miękką szmatką. To ważne, aby zapobiec wnikaniu wilgoci w żeliwo.

Konserwacja: Używając miękkiej szmatki, natrzyj powierzchnię rusztów tłuszczem roślinnym (wszystkie załamania i narożniki). Nie używaj tłuszczów zawierających sól jak masło czy margaryna. Nagrzaj grill przez 15 minut, następnie umieść ruszty na grillu. Zamknij pokrywę i nastaw pokrętła na średnia temperaturę. Ruszty powinny grzać się przez około 0,5 godziny. Wyłącz palniki, zakręć butlę. Ruszty powinny się wychłodzić. Czynność ta powinna być powtarzana kilkakrotnie w czasie sezonu jednakże nie jest to konieczne podczas codziennego używania grilla (zapoznaj się z poniższą procedurą dziennego użytkowania).

Codziennie użytkowanie: Przed nagraniem grilla i wyczyszczeniem go za pomocą szczotki drucianej, pokryj całą powierzchnię rusztów tłuszczem roślinnym. Nagrzaj grill i wtedy wyszczotkuj resztki używając mosiężnej szczotki drucianej.

Czyszczenie wnętrza grilla gazowego: Usuń kratki do gotowania. Używaj szczotki drucianej do wyczyszczenia drobnych pozostałości z boków obudowy oraz pod pokrywą. Wymieć pozostałości z wnętrza grilla do tacy ociekowej.

Taca ociekowa: nagromadzony tłuszcz to zagrożenie pożarowe. Czyść tace ociekową często, aby unikać gromadzenia się tłuszczu. Tłuszcz i jego nadmiar skapuje do pojemnika na tłuszcz umieszczonego poniżej grilla gazowego i tam się gromadzi. Aby wyczyścić tace ociekową, wysuń ją. Nigdy nie wykładaj tacy folią aluminiową, piaskiem czy innym materiałem gdyż może to spowodować nieprawidłowe spływanie tłuszczu. Taca powinna być starta szpachelką lub ścierakiem.



UWAGA! Przed przenoszeniem grilla w pozycji pionowej, upewnij się, że taca ociekowa jest pusta i czysta.

Czyszczenie zewnętrznej powierzchni grilla: Nie używaj środków ściernych ani wełny stalowej na częściach lakierowanych, porcelanowych i ze stali nierdzewnej grill Napoleon. Spowoduje to zarysowanie powierzchni. Zewnętrzne powierzchnie grilla powinny być czyszczone ciepłą wodą mydlaną, podczas gdy metal jest nadal ciepły w dotyku. Aby czyścić powierzchnie nierdzewne, używaj środka do czyszczenia stali nierdzewnej lub specjalnego płynu. Zawsze wycieraj w kierunku ziarna. Z biegiem czasu, części ze stali nierdzewnej będą się odbarwiać podczas podgrzewania, zazwyczaj do koloru złota lub brązu. To przebarwienie jest normalne i nie ma wpływu na wydajność grilla. Części ze szkliwa porcelanowego muszą być traktowane z dodatkową troską. Wypieczone wykończenie emalii przypomina szkło, i ukruszy się jeśli zostanie uderzone. Emalia do wykończeń jest dostępna u państwa sprzedawcy Napoleon.

Instrukcja konserwacji

Polecamy aby ten grill gazowy był dokładnie sprawdzony i serwisowany przez wykwalifikowanego pracownika serwisu.

Przez cały czas obszar grilla powinien być wolny od materiałów łatwopalnych, benzyny i innych oparów i cieczy łatwopalnych. Nie blokuj przepływu wentylacji i powietrza.



UWAGA! Zawsze należy nosić rękawice ochronne oraz okulary podczas czyszczenia grilla.



UWAGA! Wyłącz źródło gazu i odłącz urządzenie przed naprawami. Aby uniknąć możliwości poparzeń, konserwacja powinna być przeprowadzana kiedy grill jest chłodny. Test szczelności musi być wykonywany co roku i zawsze kiedy jakkolwiek część gazowa jest wymieniana lub gdy wyczuwalny jest zapach gazu.



Palnik: Palniki są wykonane z ciężkiej stali nierdzewnej 304, ale ekstremalne temperatury i żrące środowisko może powodować korozję powierzchni. Może ona zostać usunięta mosiężną szczotką drucianą.



UWAGA! Strzeż się pająków

Pająki i owady są przyciągane przez zapach propanu i gazu naturalnego. Palnik jest wyposażony w ekran na owady w klapach powietrznych, co redukuje prawdopodobieństwo zbudowania gniazd owadów w palniku, ale nie eliminuje problemu całkowicie. Gniazdo lub pajęczyna mogą spowodować, że palnik będzie się palił jasnym żółtym lub pomarańczowym płomieniem lub spowoduje pożar w klapach powietrznych pod panelem kontrolnym.

Aby wyczyścić wnętrze palnika, musi on zostać zdjęty z grilla gazowego: Usuń śrubę (śruby), która mocuje palnik do podstawy. Przesuń palnik do tyłu i w górę, aby go wysunąć. Czyszczenie: Użyj elastycznej szczotki do tub Venturiego do wyczyszczenia wnętrza palnika. Wytrząśnij luźny osad z palnika poprzez wlot gazu. Sprawdź porty palnika i otwory zaworu czy nie są zapchane. Porty palnika mogą się blokować z biegiem czasu z powodu pozostałości po gotowaniu lub korozji; użyj otwartego spinacza, aby je wyczyścić. Porty palnika czyści się łatwiej, gdy palnik jest wyjęty z grilla, ale może to być zrobione także, gdy palnik jest zainstalowany w grillu.

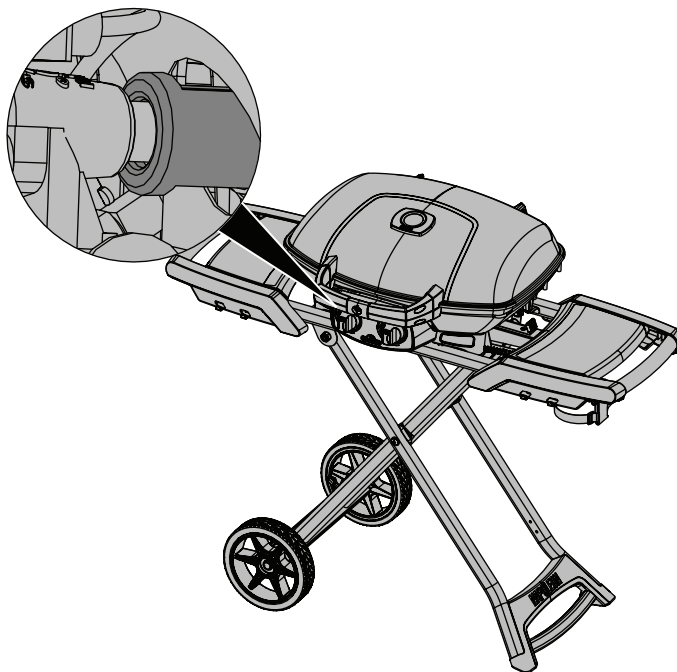
UWAGA! Uważaj aby nie powiększyć otworów.

Upewnij się, że ekran na owady jest czysty, naciągnięty i wolny od pyłu czy innych zabrudzeń.

Ponowna instalacja: Zastosuj procedurę odwrotną w celu ponownego zamocowania palnika. Upewnij się, że zawór wchodzi do palnika. Zamocuj wspornik i dokręć śruby.



UWAGA! Podczas ponownej instalacji palnika po czyszczeniu, ważne jest, aby zawór/otwór wchodził do rury palnika przed zapaleniem grilla gazowego. Jeśli zawór nie znajduje się w środku rury palnika, może dojść do pożaru lub wybuchu.



UWAGA! Wąż: Sprawdź otarcia, stopienia, nacięcia, i pęknięcia węża. Jeśli którykolwiek z tych stanów występuje, nie używaj grilla gazowego. Wymień część u sprzedawcy Grilla Gazowego Napoleon Gas Grill lub u wykwalifikowanego instalatora gazu.

Rozwiązywanie problemów

Problem	Możliwa przyczyna	Rozwiązanie
Niskie ciepło / Niski płomień, kiedy zawór jest ustawiony na wysokie obroty.	Zablokowanie dopływu gazu Nieodpowiednie nagrzanie.	Upewnij się, że nie ma pajęczyny w palniku lub otworach. Rozgrzej grill przez 5-10 minut z włączonymi głównymi palnikami ustawionymi na maksymalną temperaturę.
Nadmierne rozbłyski/ nierówne ciepło	Nieodpowiednie nagrzanie. Nadmierna ilość tłuszczu lub popiołu w tacy ociekowej.	Rozgrzej grill przez 5-10 minut z włączonymi głównymi palnikami ustawionymi na maksymalną temperaturę. Czyść tacę ociekową regularnie. Nie wykładaj jej folią aluminiową. Przeczytaj instrukcję czyszczenia.
Palniki palą się żółtym płomieniem, wraz z towarzyszącym temu zapachem gazu.	Możliwa pajęczyna lub inne zanieczyszczenia, albo nieprawidłowa regulacja kłapy powietrznej.	Dokładnie wyczyść palnik. Przeczytaj instrukcję konserwacji. Otwórz lekko kłapę powietrzną zgodnie z instrukcją regulacji dopływu powietrza (musi to być zrobione przez wykwalifikowanego gazownika)
Na palniku pojawiają się się płomienie, towarzyszy temu zapach gazu i możliwe problemy z rozpaleniem.	Niewłaściwa regulacja kłapy powietrznej.	Zamknij lekko kłapę powietrzną zgodnie z instrukcją regulacji dopływu powietrza (musi to być zrobione przez wykwalifikowanego gazownika)
Palnik nie zapala się zapalnikiem, ale rozpala się zapałką.	System zapłonowy może być brudny lub zapchany.	Wyczyść system zapłonowy za pomocą miękkiej szczotki.
Brzęczący regulator	Normalne zjawisko w gorące dni	To nie jest wada. Jest to spowodowane wewnętrznymi wibracjami regulatora i nie wpływa na funkcjonalność czy bezpieczeństwo użytkownika grilla gazowego. Brzęczący regulator nie będzie wymieniony.
“Farba” zdaje się łuszczyć wewnątrz pokrywy lub kaptura.	Tłuszcz gromadzi się na wewnętrznych powierzchniach..	To nie jest defekt. Wykończenie wnętrza to stal nierdzewna, która nie odchodzi. Łuszczenie jest spowodowane przez nagromadzony osad, który wysycha i tak jak farba odpada kawałkami. Zapobiega temu regularne czyszczenie. Przeczytaj instrukcję czyszczenia.
Palnik ustawiony na “high” pali się słabo (dudnienie i niebieski płomień wychodzący ponad palnik.)	Brak gazu Wąż gazowy jest zaciśnięty. Otwory są brudne lub zapchane. Pajęczyna lub inna blokada w tubie Venturiego.	Sprawdź ilość poziomopropanu w butli. Odłącz i zamocuj ponownie wąż gazowy. Wyczyść otwory palnika. Wyczyść tubę Venturiego.

**ZACHOWAJ PARAGON JAKO DOWÓD ZAKUPU, ABY POTWIERDZIĆ
GWARANCJĘ.**

Zamawianie Części Zamiennech

Informacje o gwarancji

MODEL: _____

DATA ZAKUPU: _____

NUMER SERYJNY: _____

(Wpisz informacje dla łatwego odniesienia)

Przed skontaktowaniem się z rozwiązaniem specjalne, sprawdź stronę Napoleon, odnośnie szerszego czyszczenia, konserwacji, rozwiązywania problemów i instrukcji wymiany części na www.napoleongrills.pl. Skontaktuj się bezpośrednio z lokalnym dystrybutorem (odwołaj się do listy dystrybutorów dostarczonej razem z grillem) w celu zamówienia części zamiennych lub złożenia reklamacji.

Aby przetworzyć roszczenie, musimy otrzymać następujące informacje:

1. Model i numer seryjny urządzenia.
2. Numer części i opis.
3. Zwięzły opis problemu ('zepsuty' nie wystarczy)
4. Dowód zakupu (kserokopia faktury).

W niektórych przypadkach przedstawiciel obsługi klienta może poprosić o zwrot części w celu inspekcji przed dostarczeniem części zamiennych. Części te muszą być wysłane po przedpłacie do działu obsługi klienta z następującymi informacjami:

1. Model i numer seryjny urządzenia.
2. Zwięzły opis problemu ('zepsuty' nie wystarczy).
3. Dowód zakupu (kserokopia faktury).
4. Numer autoryzacji zwrotu – dostarczony przez przedstawiciela obsługi klienta.

Przed skontaktowaniem się z działem obsługi klienta, proszę zauważyć, że następujące elementy nie są objęte gwarancją:

- Koszty transportu, prowizje i cła wywozowe.
- Koszty pracy dotyczące usunięcia lub ponownej instalacji.
- Koszty połączeń serwisowych w celu zdiagnozowania problemów.
- Przebarwienia części stali nierdzewnej.
- Awaria części wynikająca z braku czyszczenia lub konserwacji, lub używania nieodpowiednich środków czyszczących (środków do czyszczenia piekarnika).



CAUTION! During unpacking and assembly we recommended you wear work gloves and safety glasses for your protection. Although we make every effort to make the assembly process as problem free and safe as possible, it is characteristic of fabricated steel parts that the edges and corners might be sharp and could cause cuts if handled incorrectly.

ОСТОРОЖНО! Во время удаления упаковки и сборки рекомендуется носить защитные перчатки и защитные очки. Хотя во время производства для обеспечения быстрой и эффективной сборки гриля были приняты все меры для устранения острых граней, тем не менее, надлежит обращаться с деталями очень аккуратно во избежание травм.

POZOR! Při vybalování a montáži vám doporučujeme nosit pracovní rukavice a ochranné brýle pro vaši ochranu. Ačkoli jsme věnovali veškeré úsilí tomu, aby proces montáže byl bezpečný, tak je možné, že ocelové části, jako jsou rohy a hrany mohou být ostré a způsobit řezné rány při nesprávné manipulaci.

POZOR! Pri rozbaľovaní a montáži odporúčame nosiť pracovné rukavice a ochranné okuliare pre vašu ochranu. Aj keď sme vynaložili všetko úsilie, aby montážny proces nebol problémový a bol bezpečný. Diely sú vyrobené z ocele, hrany a rohy môžu byť ostré, môžete si spôsobiť zranenie pri nesprávnej manipulácii!

UWAGA! Podczas rozpakowywania i montażu zalecamy noszenie rękawic roboczych i okularów ochronnych. Pomimo, że dokładamy wszelkich starań, aby proces montażu był pozbawiony problemów i tak bezpieczny jak to tylko możliwe, cechą charakterystyczną dla metalowych części stalowych jest to, że ich krawędzie i rogi mogą być ostre i mogą powodować skaleczenia, jeśli są używane niepoprawnie.



x2

N450-0043 (8mm)



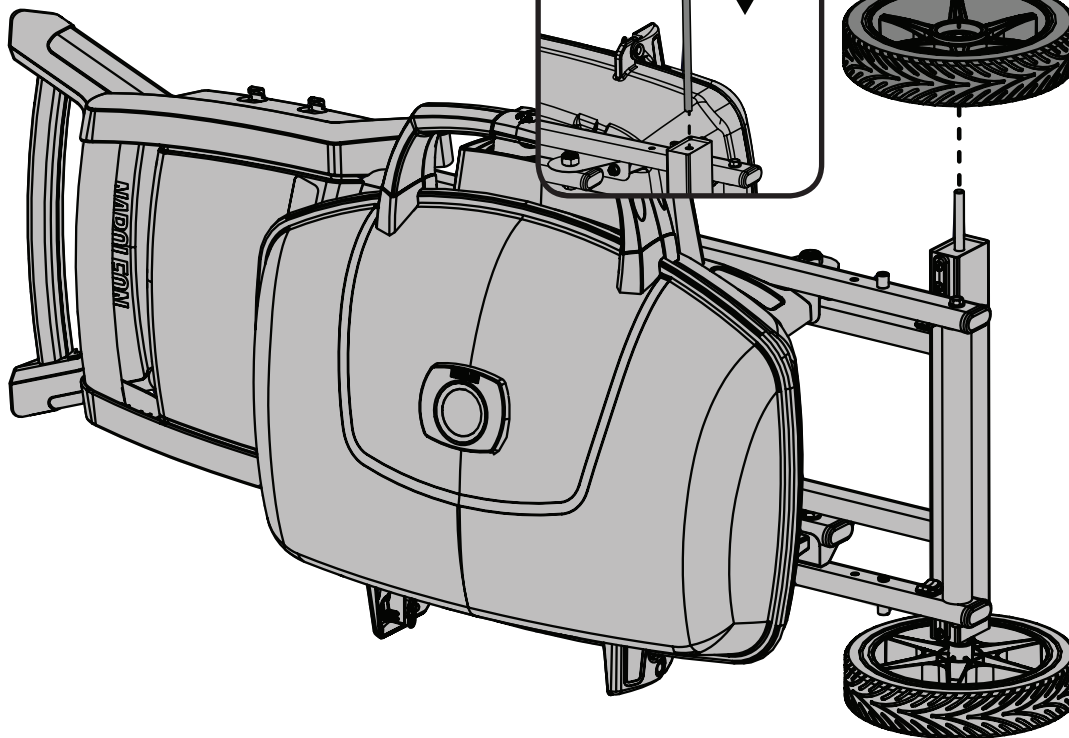
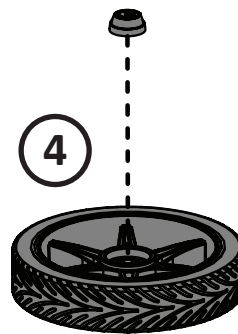
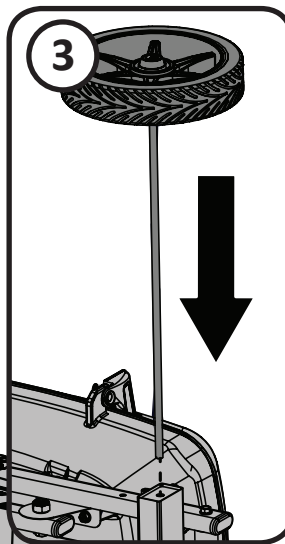
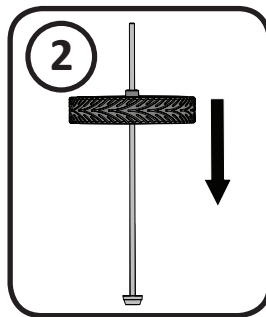
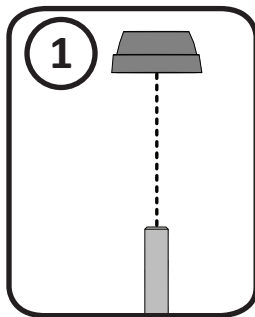
If necessary the axle cap can be tapped with a rubber mallet.

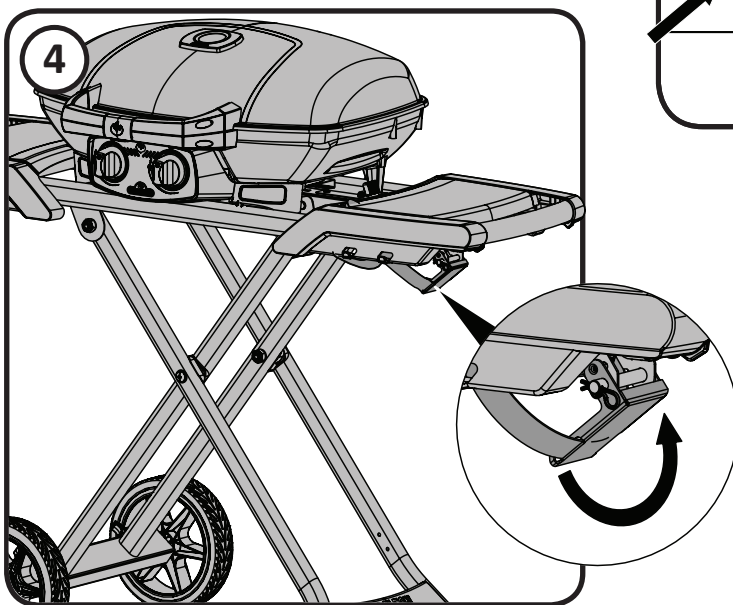
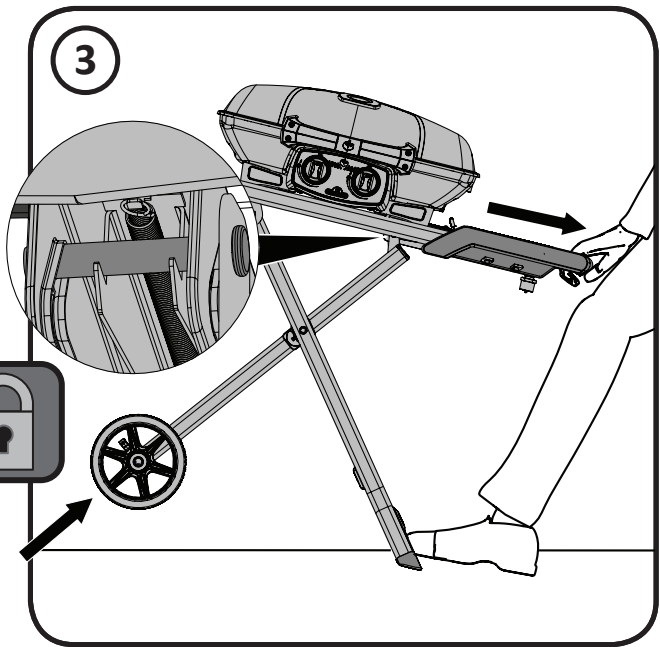
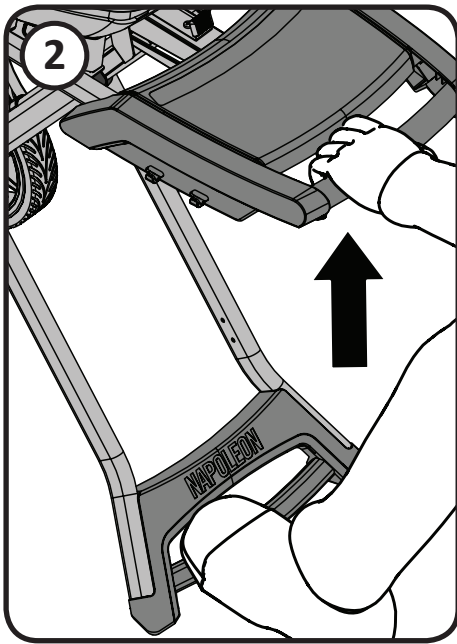
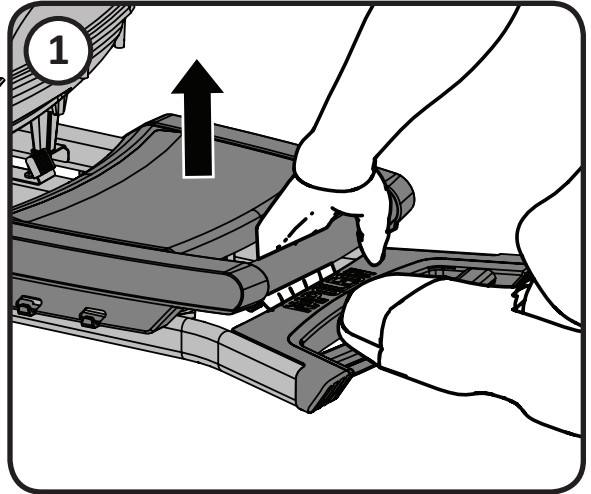
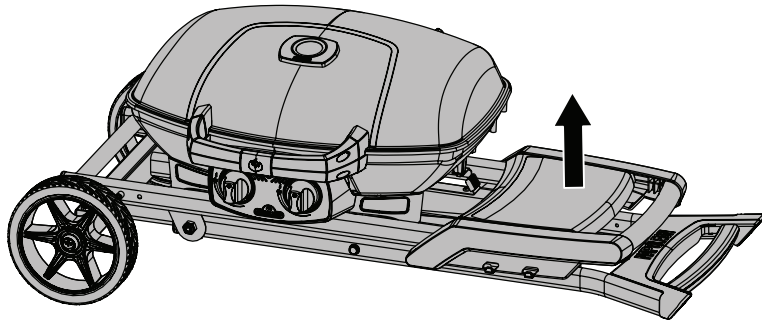
При необходимости ось крышки могут быть использованы с резиновым молотком.

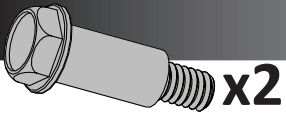
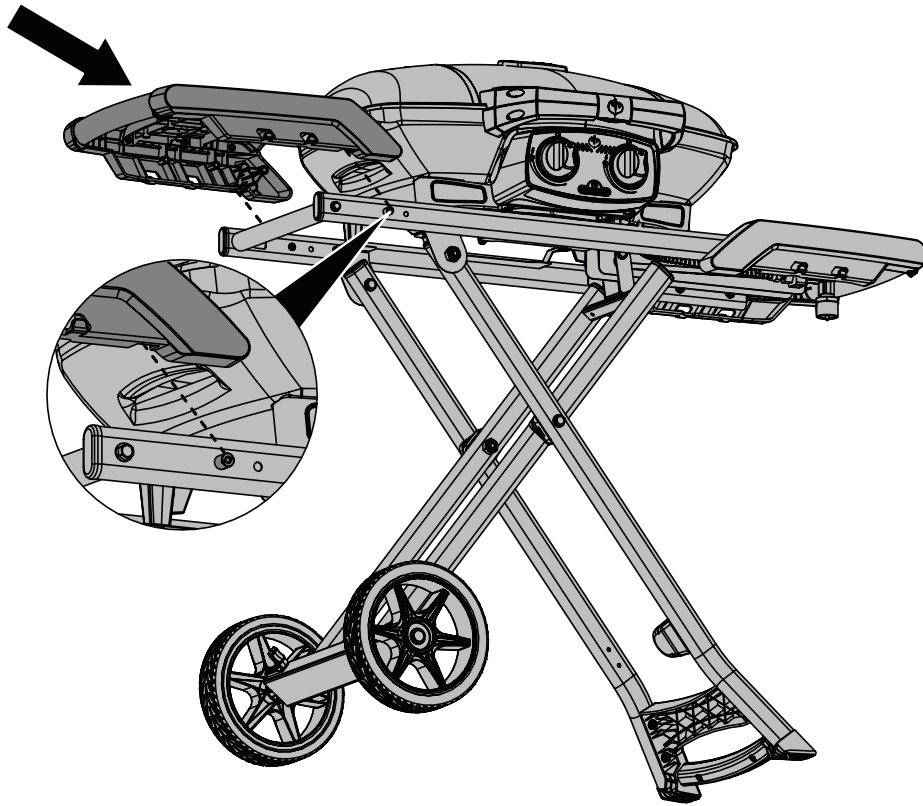
V případě potřeby lze poklici vyrazit gumovou paličkou.

V prípade potreby môžete využiť pre montáž čiapky nápravy gumovú paličku.

W razie potrzeby użyć gumowego młotka.

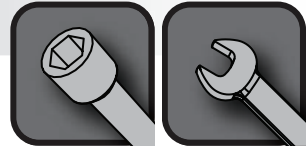




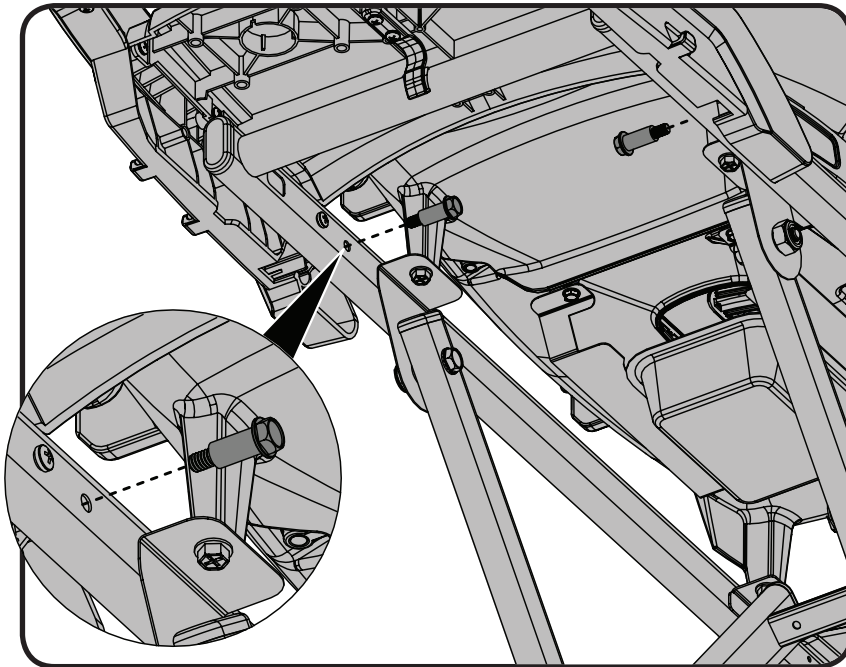


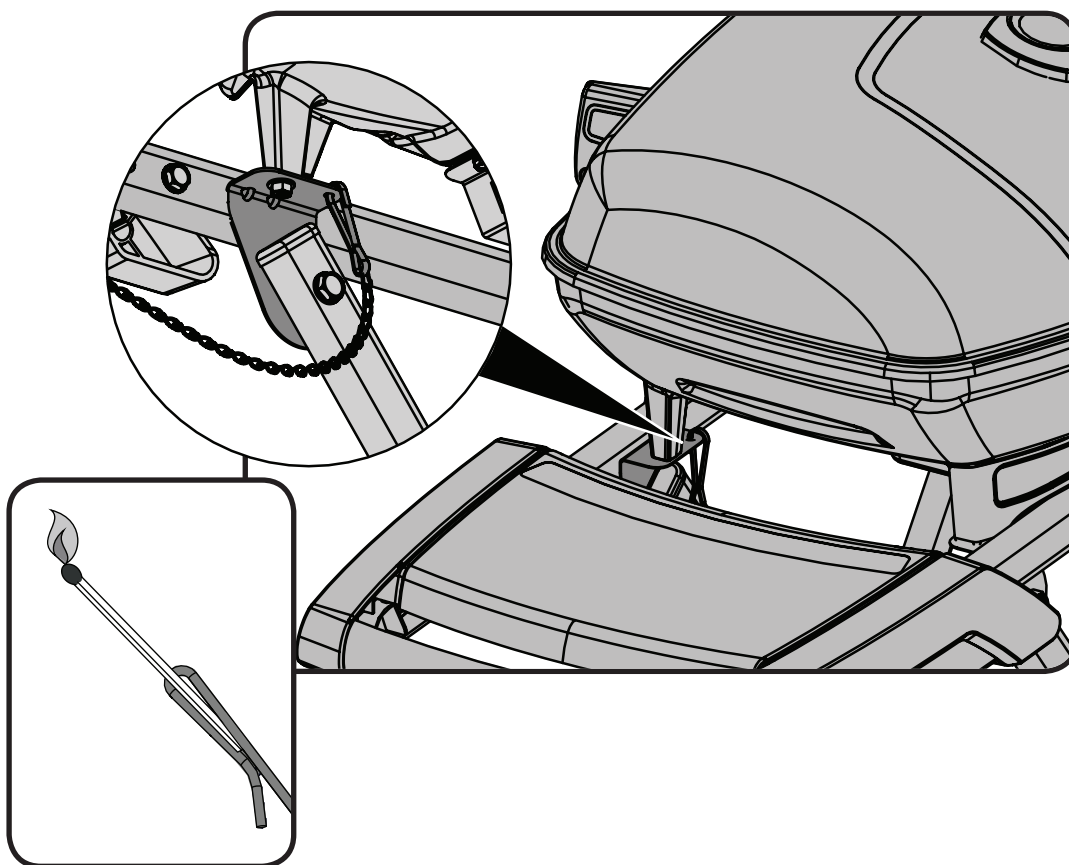
x2

N570-0110 (1/4"-20)



10mm



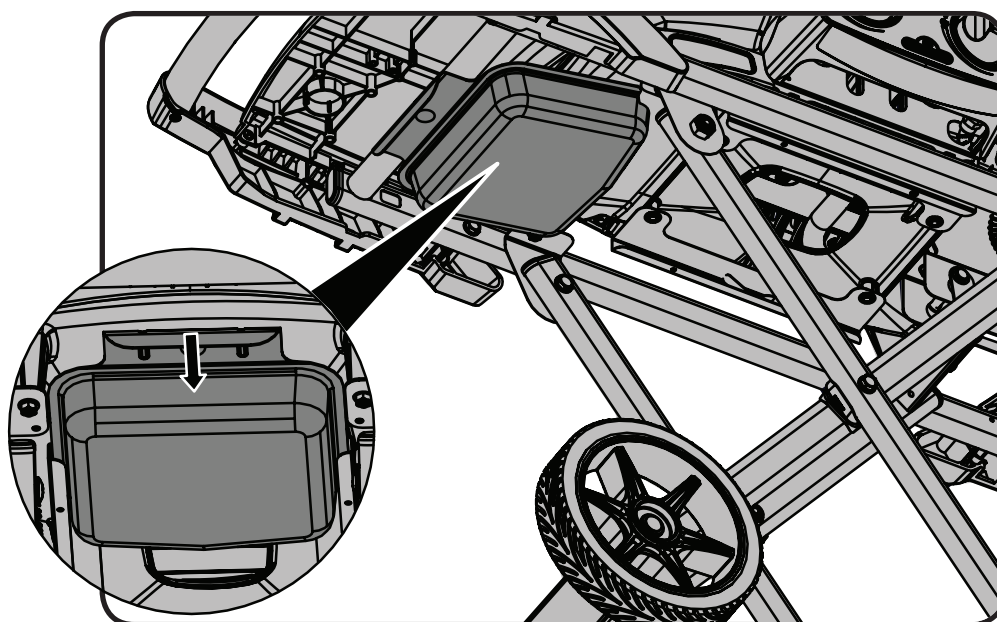


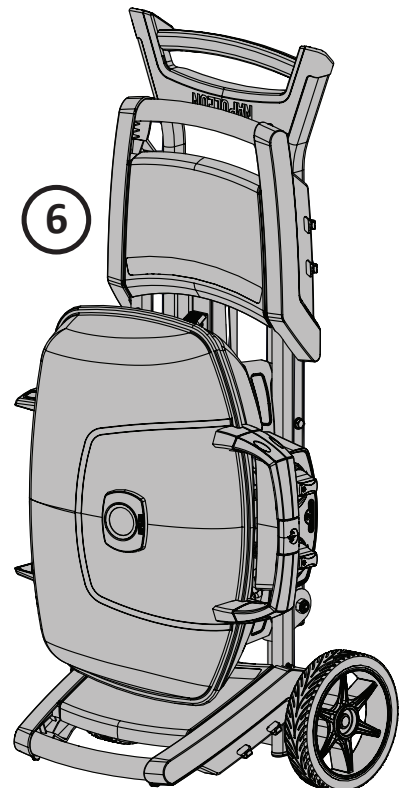
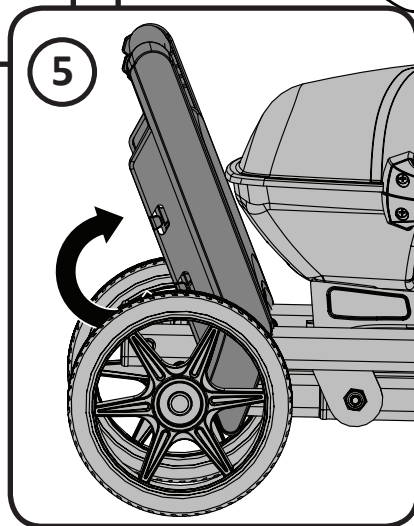
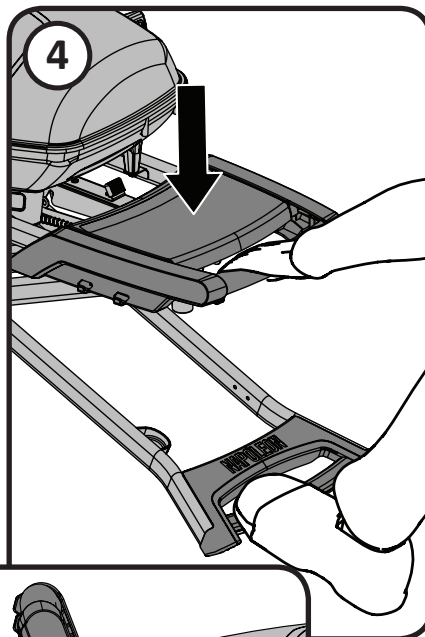
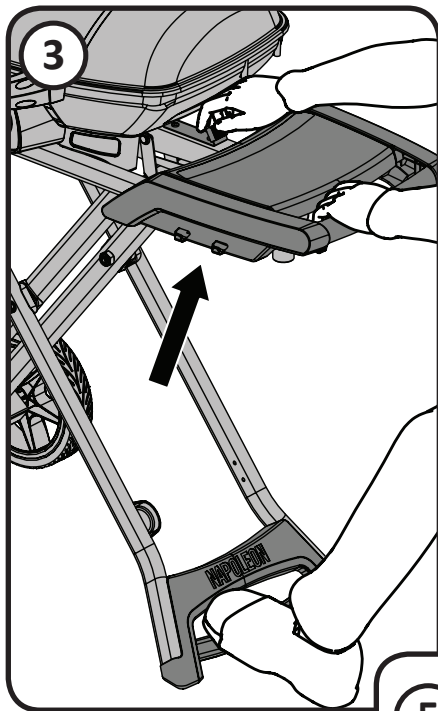
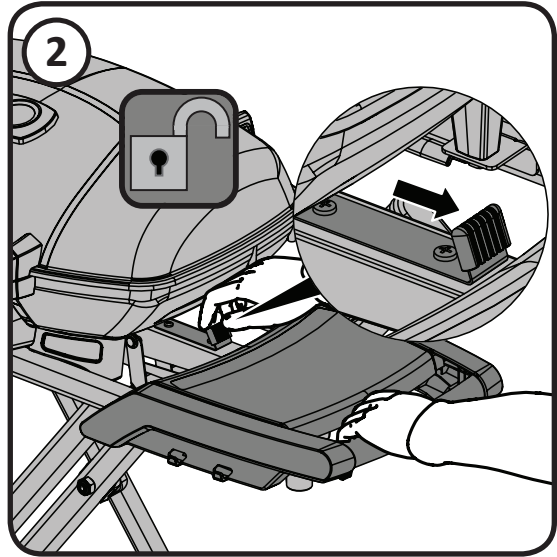
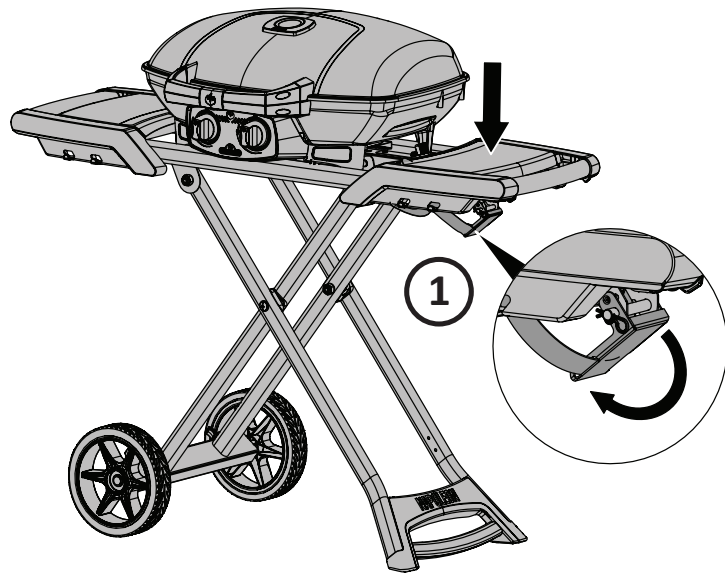
CAUTION! Ensure drip pan is empty and clean before transporting grill in vertical position.

ВНИМАНИЕ! Убедитесь, что поддон для сбора жира пустой и чистой перед транспортировкой гриля в вертикальном положении.

POZOR! Zajistěte, aby odkapávací miska byla prázdná a čistá před přepravou grilu ve svislé poloze.

POZOR! Zaistite, aby odkvapkávacia miska bola prázdna a čistá pred prepravou grilu vo zvislej polohe.





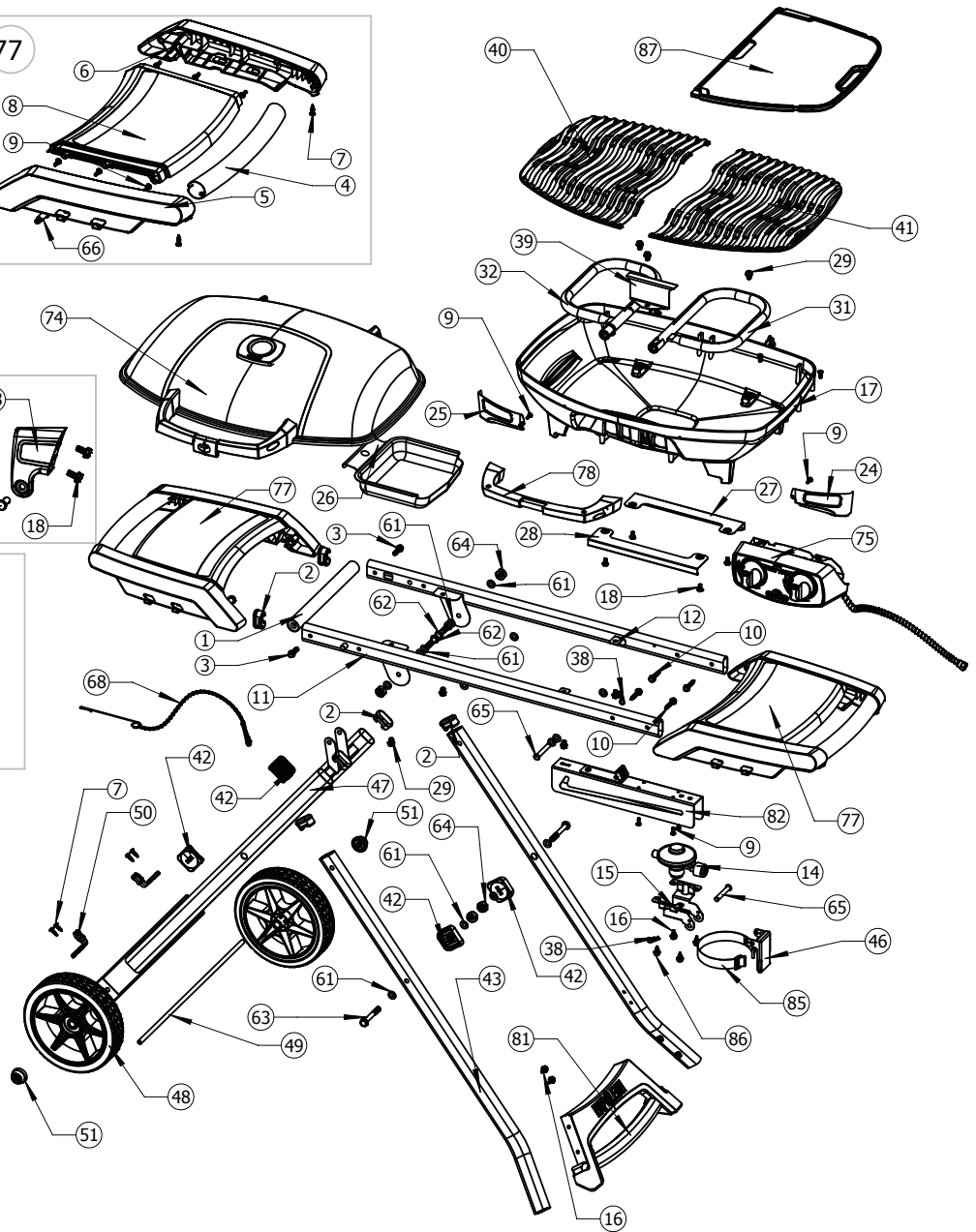
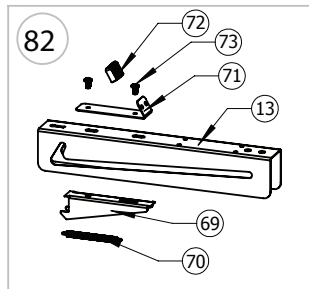
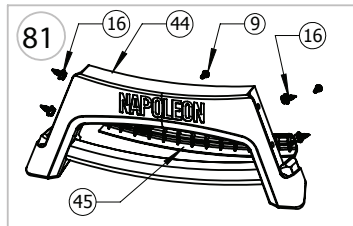
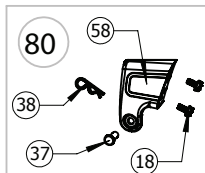
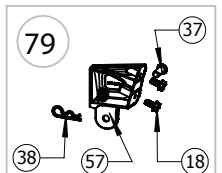
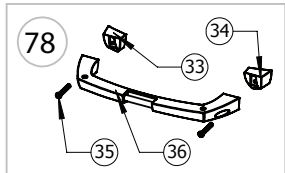
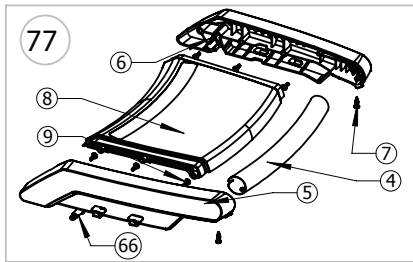
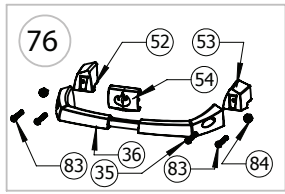
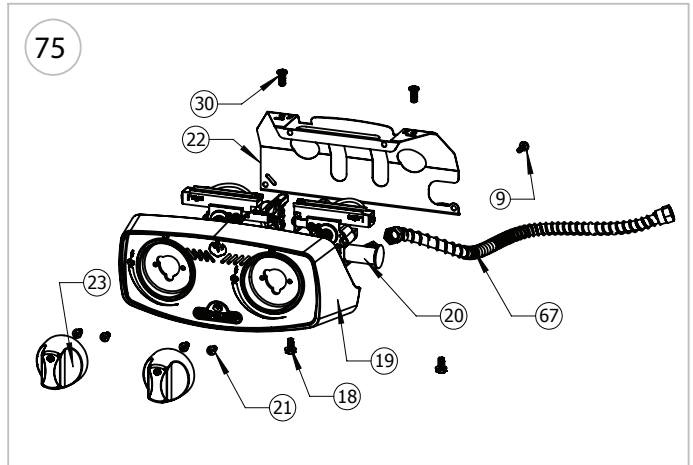
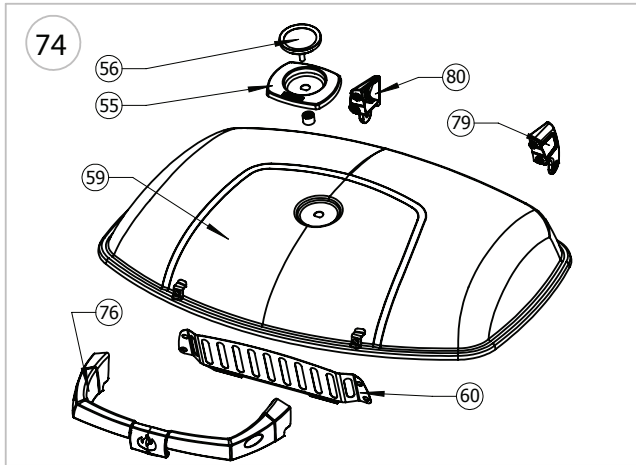
Parts List

Item	Part #	Description	
1	N325-0085-SS1SG	handle cart	x
2	N120-0023	cap nylon	x
3	Z570-0036	screw 1/4-20 x 7/8"	x
4	N325-0086-SS1SG	handle cart shelf	x
5	N120-0022	cap shelf	x
6	N120-0021	cap shelf	x
7	N570-0013	screw #8 x 5/8"	x
8	N590-0237	shelf left / right	x
9	N570-0076	screw #8 x 1/2"	x
10	N570-0111	screw #14 x 1 1/4"	x
11	N010-0804-SS1SG	cart front beam	x
	N160-0017	clip rear burner tube	x
12	N010-0805-SS1SG	cart rear beam	x
13	N525-0047-BK1SG	rail sliding track	x
14	N530-0051	regulator	x
15	N080-0349-BK1SG	bracket regulator mount	x
16	N570-0086	screw #14 x 1/2"	x
17	N135-0045-BK1HT	base	x
18	N570-0104	screw 10-24 x 3/8"	x
19	N475-0319	control panel	x
20	N010-0773	manifold	x
21	N570-0078	screw M4 x 8mm	x
22	N585-0089-BK1HT	heat shield control panel	x
23	N380-0020-RD	control knob	x
24	N200-0109-BK1HT	cover right leg	x
25	N200-0108-BK1HT	cover left leg	x
26	N710-0079	drip pan	x
27	N010-0821	bracket drip pan left	x
28	N010-0822	bracket drip pan right	x
29	N570-0073	screw 1/4-20 x 3/8"	x
30	Z570-0033	screw 10-24 x 12mm	x
31	N100-0047	burner right	x
32	N100-0046	burner left	x
33	N655-0158	support handle left	x
34	N655-0159	support handle right	x
35	Z570-0029	screw 10-24 x 35mm	x
36	N325-0082	handle top/bottom	x
37	N485-0020	clevis pin	x
38	N485-0021	cotter pin	x
39	N080-0302	cross light bracket	x
40	N305-0087-BK2FL	cooking grid left	x
41	N305-0088-BK2FL	cooking grid right	x
42	N735-0018	washer leg pivot	x
43	N720-0067-SS1SG	tube cart side	x
44	N272-0001	foot scissor cart	x
45	N325-0084	handle scissor cart foot	x
46	N080-0348	bracket, 1 lb tank	x
47	N010-0806-SS1SG	cart wheel side	x

Parts List

Item	Part #	Description	
48	Z745-0001	wheel 8"	x
49	N015-0009	axle	x
50	N160-0026	clip tubing	x
51	N450-0043	nut axle cap	x
52	N655-0156	support lid handle left	x
53	N655-0157	support lid handle right	x
54	N390-0003	latch handle	x
55	N051-0009	bezel temperature gauge	x
56	N685-0015	temperature gauge	x
57	N330-0021	hinge right	x
58	N330-0020	hinge left	x
59	N010-0776-BL4HM	lid blue	x
	N010-0776-RD4HM	lid red	x
60	N215-0013	wind shield	x
61	N735-0019	washer, 8mm	x
62	N570-0108	screw M8 x 35mm	x
63	N570-0109	screw M8 x 60mm	x
64	Z450-0015	nut M8	x
65	N485-0022	clevis pin 8mm x 50mm	x
66	N570-0110	screw shoulder	x
67	N720-0060	flex connector manifold	x
68	N555-0058	lighting rod	x
69	N390-0004-BK1SG	latch slide	x
70	N630-0006	spring	x
71	N390-0005-SS1SG	latch handle	x
72	N500-0042B	rubber handle	x
73	Z570-0023	screw 10-24 x 6mm	x
74	N010-0776-BL4HM-SER	assembly lid blue	x
	N010-0776-RD4HM-SER	assembly lid red	x
75	N475-0319-SER	assembly control panel	x
76	N325-0082T-SER	assembly handle top	x
77	N010-0820-SER	assembly side shelf	x
78	N325-0082B-SER	assembly handle bottom	x
79	N330-0021-SER	assembly hinge right	x
80	N330-0020-SER	assembly hinge left	x
81	N325-0084-SER	assembly handle scissor cart foot	x
82	N525-0047-BK1SG-SER	assembly rail sliding track	x
83	Z570-0037	screw, 1/4-20	x
84	Z450-0009	nut, 1/4-20	x
85	N640-0003	strap, LPG tank	x
86	N570-0099	screw #14 X 3/4"	x
87	56080	griddle	ac
	68286	vinyl cover	ac
	66005	lage tank adapter hose DE	ac
	66006	lage tank adapter hose SE	ac
	66007	lage tank adapter hose NL	ac
	66008	lage tank adapter hose GB	ac
	66009	lage tank adapter hose IT	ac

Parts Diagram





Napoleon products are protected by one or more U.S. and Canadian and/or foreign patents or patents pending.



N415-0340CE-E