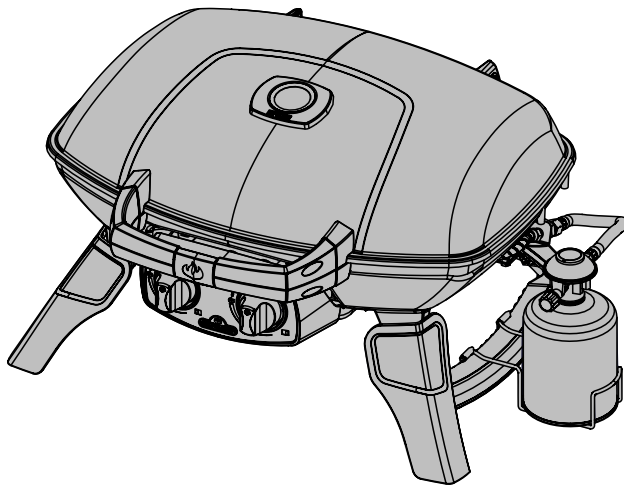
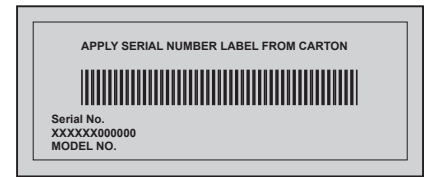


This gas grill must be used only outdoors in a well-ventilated space and must not be used inside a building, garage, screened-in porch, gazebo or any other enclosed area.



**TQ285**



**DANGER**

**IF YOU SMELL GAS:**

- Shut off gas to the appliance.
- Extinguish any open flame.
- Open lid.
- If odor continues, keep away from the appliance and immediately call your gas supplier or fire department.



**WARNING**

Do not try to light this appliance without reading the "LIGHTING" instructions section of this manual.

Do not store or use gasoline or other flammable liquids or vapors in the vicinity of this or any other appliance. An L.P. cylinder not connected for use must not be stored in the vicinity of this or any other appliance. If the information in these instructions is not followed exactly, a fire or explosion may result, causing property damage, personal injury or death.

**Notice to Installer: Leave these instructions with the grill owner for future reference.**



N415-0289CE-W MAR 27.18

Wolf Steel Europe BV  
Poppenbouwing 29-31, 4191 NZ Geldermalsen,  
CCI No. 51509970, THE NETHERLANDS  
[info@napoleongrills.nl](mailto:info@napoleongrills.nl)

[www.napoleongrills.com](http://www.napoleongrills.com)

EN

FR  
PG.15

NL  
PG.29

DE  
PG.43

NO  
PG.57

DK  
PG.71

FI  
PG.85

SE  
PG.99

IT  
PG.113



PG.127

# Napoleon President's 10 Year Limited Warranty



NAPOLEON products are designed with superior components and materials, and are assembled by trained craftsmen who take great pride in their work. This grill has been thoroughly inspected by a qualified technician before packaging and shipping to ensure that you, the customer, receive the quality product you expect from NAPOLEON.

NAPOLEON warrants that components in your new NAPOLEON product will be free from defects in material and workmanship from the date of purchase, for the following period:

Aluminum castings / stainless steel base .....	<b>10 years</b>
Stainless steel lid .....	<b>10 years</b>
Porcelain enamel lid .....	<b>10 years</b>
Painted steel lid .....	<b>5 years full coverage, plus 50% off until the 10<sup>th</sup> year</b>
Stainless steel tube burners .....	<b>5 years full coverage, plus 50% off until the 10<sup>th</sup> year</b>
Porcelain-enameled cast iron cooking grids .....	<b>5 years full coverage, plus 50% off until the 10<sup>th</sup> year</b>
Stainless steel or porcelain sear plates .....	<b>3 years full coverage, plus 50% off until the 10<sup>th</sup> year</b>
All other parts .....	<b>2 years</b>

#### \*Conditions and Limitations

This Limited Warranty creates a warranty period as specified in the aforementioned table, for any product purchased through an authorized NAPOLEON dealer, and entitles the original purchaser to the specified coverage in respect of any component replaced within the warranty period, either by NAPOLEON or an authorized NAPOLEON dealer, to replace a component of such product that has failed in normal private use as a result of a manufacturing defect. The "50% off" indicated in the table means the component is made available to the purchaser at a 50% discount off the regular retail price of the component for the period indicated. This Limited Warranty does not cover accessories or bonus items.

For greater certainty, "normal private use" of a product means that the product: has been installed by a licensed, authorized service technician or contractor, in accordance with the installation instructions included with the product and all local and national building and fire codes; has been properly maintained; and has not been used as a communal amenity or in a commercial application.

Similarly, "failure" does not include: over-firing, blow outs caused by environmental conditions such as strong winds or inadequate ventilation, scratches, dents, corrosion, deterioration of painted and plated finishes, discoloration caused by heat, abrasive or chemical cleaners or UV exposure, chipping of porcelain enameled parts, or damages caused by misuse, accident, hail, grease fires, lack of maintenance, hostile environments such as salt or chlorine, alterations, abuse, neglect or parts installed from other manufacturers.

Should deterioration of parts occur to the degree of non-performance (rusted through or burnt through) within the duration of the warranted coverage, a replacement part will be provided. The replacement component is the sole responsibility of NAPOLEON defined by this Limited Warranty; in no event will NAPOLEON be responsible for installation, labor or any other costs or expenses related to the re-installation of a warranted part, for any incidental, consequential, or indirect damages or for any transportation charges, labor costs or export duties.

This Limited Warranty is provided in addition to any rights afforded to you by local laws. Accordingly, this Limited Warranty imposes no obligation upon NAPOLEON to keep parts in stock. Based on the availability of parts, NAPOLEON may at its discretion discharge all obligations by providing a customer a prorated credit towards a new product. After the first year, with respect to this Limited Warranty NAPOLEON may, at its discretion, fully discharge all obligations with respect to this warranty by refunding to the original warranted purchaser the wholesale price of any warranted but defective part(s).

The bill of sale or copy will be required together with a serial number and a model number when making any warranty claims from NAPOLEON. NAPOLEON reserves the right to have its representative inspect any product or part prior to honoring any warranty claim. You must contact NAPOLEON Customer Service or an authorized NAPOLEON dealer to obtain the benefit of the warranty coverage.



napoleongrills.com

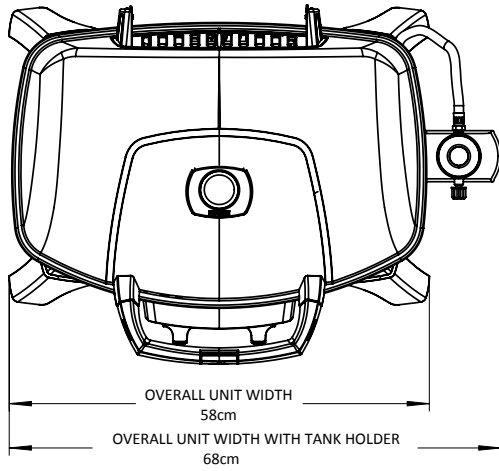


**WARNING!** Failure to follow these instructions could result in property damage, personal injury or death. Read and follow all warnings and instructions in this manual prior to operating grill.

## Safe Operating Practices

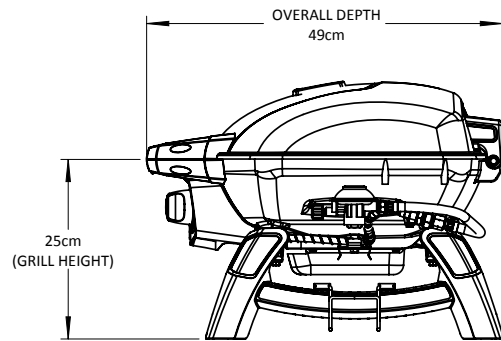
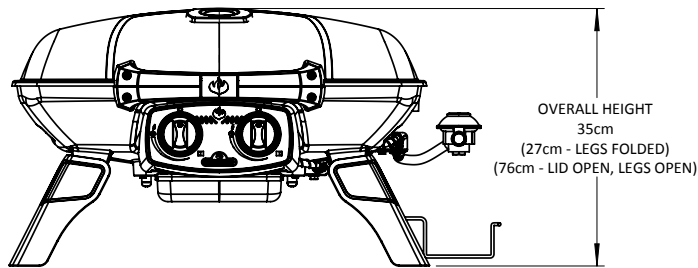
- This gas grill must be assembled exactly according to the instructions in the manual. If the grill was store assembled, you must review the assembly instructions to confirm correct assembly and perform the required leak tests before operating the grill.
- Read the entire instruction manual before operating the gas grill.
- This gas grill must only be used outdoors in a well-ventilated space and must not be used inside a building, garage, screened in porch, gazebo or any other enclosed area.
- This gas grill is designed for propane, butane or a propane/butane mix only.
- Do not locate in windy settings. High winds adversely affect the cooking performance of the gas grill.
- Under no circumstances should this gas grill be modified. Parts sealed by the manufacturer, licensed authorized service technician or contractor must not be manipulated by the user.
- Do not operate unit under any combustible construction.
- Maintain proper clearance to combustibles 18" (457mm) to rear of unit, 18" (457mm) to sides). Additional clearance is recommended near vinyl siding or panes of glass.
- The gas supply hose must be installed in a manner that will not allow contact with any hot surfaces of the grill while in use or in the storage/travel mode.
- The gas cartridge must be disconnected when the gas grill is not in use.
- When the gas cartridge is connected to the appliance, the gas grill and cartridge must be stored outdoors in a well-ventilated space.
- When the gas grill is to be stored indoors, the connection between the propane cartridge and the gas grill must be disconnected and the cartridge removed and stored outdoors in a well ventilated space out of reach of children. Disconnected cartridges must not be stored in a building, garage or any other enclosed area.
- Inspect the gas supply hose before each use. If there is evidence of excessive abrasion or wear or the hose is cut, it must be replaced, prior to using the gas grill, with a replacement hose assembly specified by the grill manufacturer.
- Never store a spare cartridge under or near this grill.
- Do not route hose underneath drip pan - proper hose clearance to bottom of unit must be maintained.
- Leak test the unit before initial use, annually and whenever any gas components are replaced.
- Follow the lighting instructions carefully when operating the grill.
- Do not light burners with lid closed.
- Adults and especially children should be alerted to the hazards of high surface temperatures. Young children should be supervised near the gas grill.
- Do not leave grill unattended when operating.
- Do not move grill when hot or operating.
- Keep any electrical supply cord and gas supply hose away from any heated surfaces.
- Ensure sear plate (if equipped) is positioned properly.
- Clean grease tray and sear plates (if equipped) regularly to avoid build-up, which may lead to grease fires.
- Do not use water, beer, or any other liquids to control flare-ups.
- Do not use a pressure washer to clean any part of the unit.
- This gas grill is not intended for commercial use.
- This gas grill is not intended for and should never be used as a heater.

# DIMENSIONS



## TQ285 GRILL

GRILL SIZE: 37 cm X 54 cm (IRREGULAR) = 1840 cm<sup>2</sup>  
ALL DIMENSIONS ARE APPROXIMATE





## Handle With Care



**CAUTION!** Use care when handling or transporting your grill to prevent damage and misalignment of internal components. Although this grill has been designed with mobility in mind, rough handling or abuse will result in damage to internal components, preventing your grill from operating properly.

### Correct Disposal Of This Product

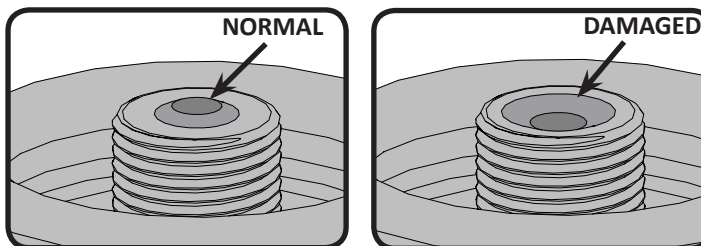


This marking indicates that this product should not be disposed with other household wastes throughout the EU. To prevent possible harm to the environment or human health from uncontrolled waste disposal, recycle it responsibly to promote the sustainable reuse of material resources. To return your used device, please use the return and collection systems or contact the retailer where the product was purchased. They can take this product for environmental safe recycling.

## Gas Cartridge

Use only cartridges, which meet national and regional codes. **For optimal performance the grill should be operated on propane.** Disposable cartridges must conform to the EN417 standard and be equipped with a linald self-sealing valve. Cartridges must have a fuel capacity of between 430g and 460g. Cartridges must be filled with either propane or a propane / butane mix.

- Inspect the rubber o-ring on the regulator. If there is damage replace the regulator.
- Never connect a cartridge, which does not meet local codes.
- Disposable cartridges must always be secured to the side of the grill in an upright position using the retaining bracket supplied.
- Never store a spare cartridge in close proximity of an operating appliance. Cartridges must not be exposed to extreme heat or direct sunlight.
- Never over tighten the cartridge, as over tightening may cause damage to the regulator connection or the cartridge connection. This can cause a leak or restrict the flow to the unit.

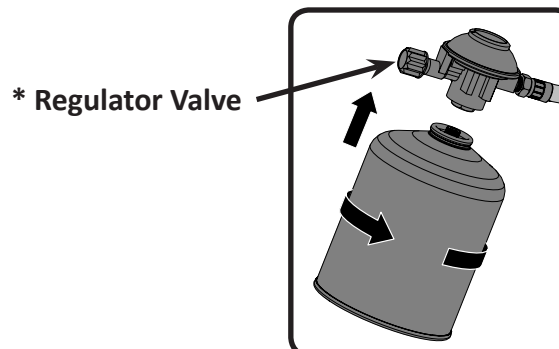
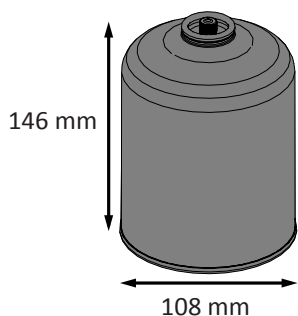


**WARNING!** The dust cap should be in place when the cartridge is not in use to prevent dirt and debris from entering the valve.

**WARNING!** Review instructions on the cartridge prior to using. A dented or rusted cartridge may be hazardous. Discard cartridge if rust particles or debris are in the connection area of the cartridge.

**Cartridge Connection:** Ensure that the gas regulator hose is kink free. The cartridge has a positive seating connection, which will not allow gas flow until a positive seal has been achieved. Remove the cap or plug from the cartridge. To install the cartridge simply screw it into the regulator in a clockwise direction. Hand tighten only, never use tools.

Leak test all joints prior to using the barbecue. A leak test must be performed annually, and each time a cylinder is hooked up, or part of the gas system is replaced. Disposable cartridges must be secured to the side of the grill, in an upright position, using the supplied retaining bracket. This will prevent liquid propane / butane from entering the regulator, which can cause over firing and damage to the regulator.



\* For proper operation, ensure regulator valve is open.



### WARNING!

- Do not route hose underneath drip pan.
- Ensure all connections are tightened using two wrenches. Do not use Teflon tape or pipe dope on any hose connection.
- Ensure the hose does not contact any high temperature surfaces, or it may melt and leak causing a fire.

## Gas Hose

- If the hose and regulator are not included by the manufacturer, then only hoses and regulators which meet national and regional codes are to be used.
- Ensure that the hose does not come into contact with grease, other hot drippings, or any hot surfaces on the appliance.
- Check hose regularly. In the case of rips, melting or wear, replace hose before using the appliance.
- The hose must not be longer than 1.5m.
- Ensure that the hose is twist and kink free when installed.
- Replace the hose before expiry date printed on the hose.

## Technical Data

The following table lists input values for the appliance.

Burner	Orifice Size		(Gross) Heat Input (Total)		Gas Usage (Total)	
	I	II	I	II	I	II
	#69 (0.74 mm)	#73 (0.61 mm)	4.1kW	4.1kW	301 g/hr	301 g/hr

Certified Gases / Pressures - Check rating plate to ensure that it corresponds with following list.

Gas Category	<sup>1</sup> 3B/P(30)	<sup>1</sup> 3+(28-30/37)	<sup>1</sup> 3B/P(50)
Orifice Sizes(see above)	I	I	II
Gases / Pressures	Butane and Propane at 30mbar	Butane 28-30mbar Propane 37mbar	Butane and Propane at 50mbar
Countries	BE, BG, CY, DK, EE, FI, FR, GB, HR, HU, IS, IT, LT, LU, MT, NL, NO, RO, SE, SI, SK, TR	BE, CH, CY, CZ, ES, FR, GB, GR, IE, IT, LT, LU, LV, PT, SK, SI	AT, CH, DE, SK

Do not tamper with or modify regulator. Use only regulators which supply the pressure listed in the table above. For replacement, use only the regulator specified by the manufacturer.

## Table Top Use

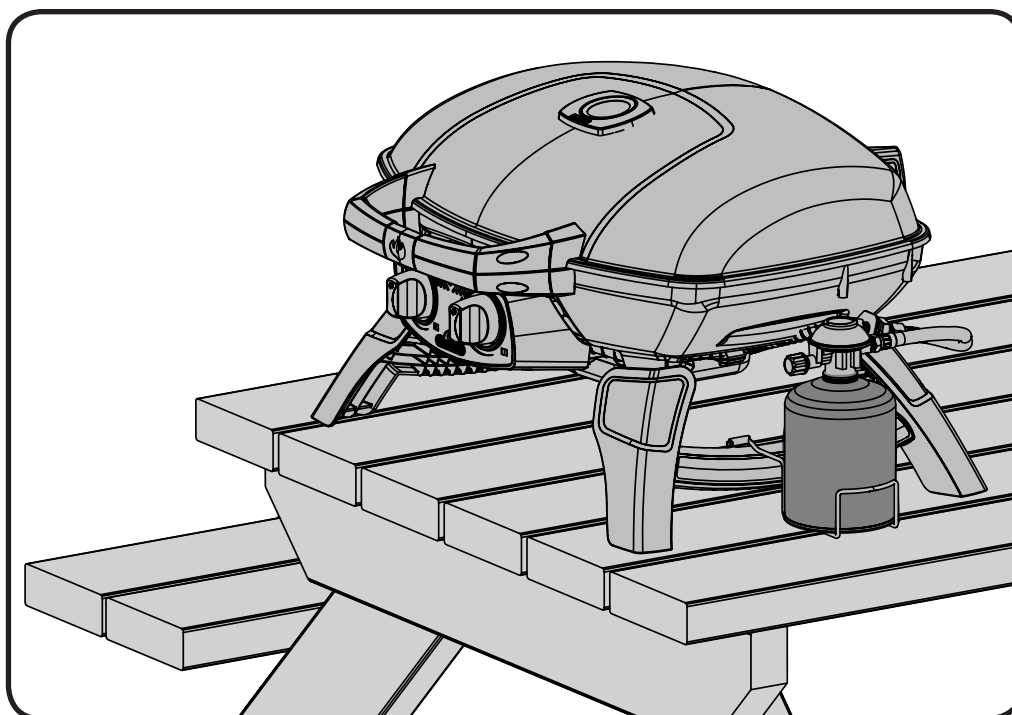
The TQ285/PRO285 has been designed with mobility in mind. With collapsible legs, the TQ285/PRO285 can be set up on most table tops. The legs fold out and lock into place, folding back into a locked position when on the go.



**WARNING!** The legs located on each side of your grill must be unfolded during use.



**WARNING!** Do not use the grill on plastic, resin or glass table tops.



# Leak Testing Instructions



**WARNING!** A leak test must be performed annually and each time a cylinder is hooked up or if a part of the gas system is replaced.



**WARNING!** Never use an open flame to check for gas leaks. Be certain no sparks or open flames are in the area while you check for leaks. Sparks or open flames will result in a fire or explosion, damage to property, serious bodily injury, or death.



**Leak testing:** This must be done before initial use, annually, and whenever any gas components are replaced or serviced. Do not smoke while performing this test, and remove all sources of ignition. See Leak Testing Diagram for areas to check. Turn all burner controls to the off position. Turn gas supply valve on.

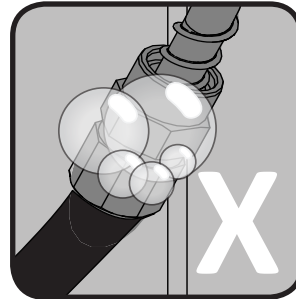
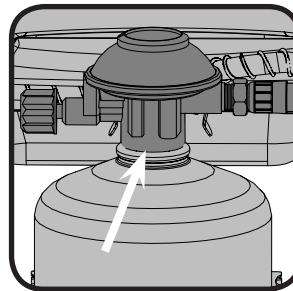
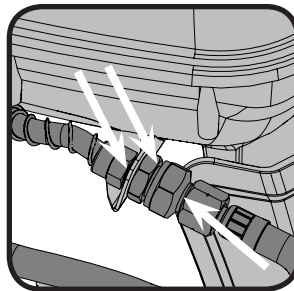
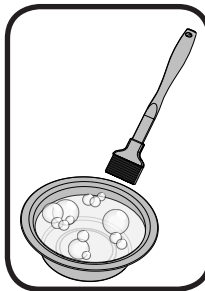
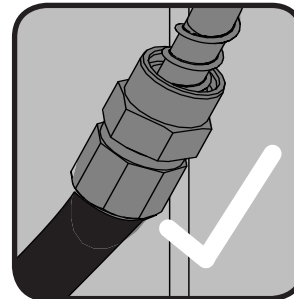
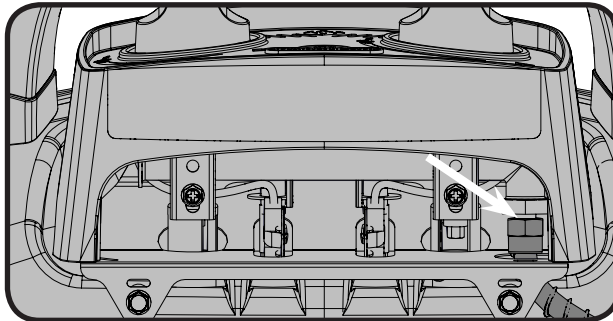


Brush a half-and-half solution of liquid soap and water onto all joints and connections of the regulator, hose, manifolds and valves.

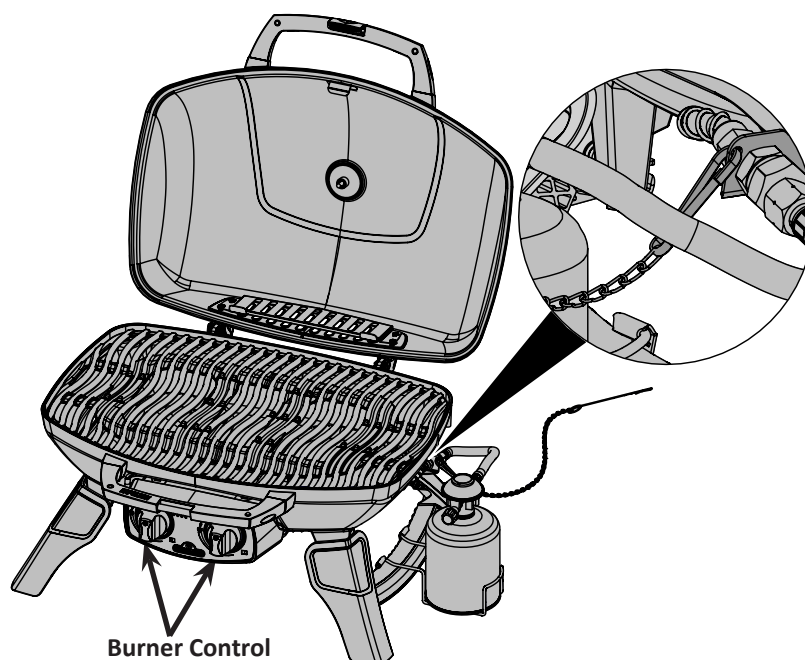


Bubbles will indicate a gas leak. Either tighten the loose joint or have the part replaced with one recommended by the Napoleon Customer Solutions department and have the grill inspected by a certified gas installer.

If the leak cannot be stopped, **immediately shut off the gas supply**, disconnect it, and have the grill inspected by a certified gas installer or dealer. Do not use the grill until the leak has been corrected.



# Lighting Instructions



**WARNING!** Open lid

**WARNING!** Ensure all burner controls are in the off position. Slowly turn on the cylinder gas supply valve.

## Main Burner Lighting

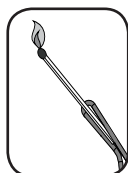
1. Open grill lid

2. Push and turn any main burner control knob slowly to the 'hi' position. This action will ignite the selected burner.

3. If the burner does not ignite, then immediately turn the control knob back to the 'off' position and repeat step 2 several times.

4. If the burner will not ignite within 5 seconds, turn the control knob to the 'off' position and wait 5 minutes for any excess gas to dissipate, either repeat steps 2 and 3 or light with a match.

5. If lighting the unit with a match, clip the match into the supplied lighting rod. Hold the lit match down through the grill while turning the corresponding burner valve to high.





## Cooking Instructions

**WARNING!** Do not use this grill under extended awnings. Failure to follow these instructions could result in a fire or personal injury.



**DANGER!** Allow the grill to cool to the touch before moving or storing. Failure to do so could result in a fire resulting in property damage, personal injury or death.

**Initial Lighting:** When lit for the first time, the gas grill emits a slight odor. This is a normal temporary condition caused by the “burn-in” of internal paints and lubricants used in the manufacturing process and does not occur again. Simply run the main burners on high for approximately one-half hour.

**Main Burner Use:** When searing foods, we recommend preheating the grill by operating all main burners in the high position with the lid closed for approximately 10 minutes. Food cooked for short periods of time (fish, vegetables) can be grilled with the lid open. Cooking with the lid closed will ensure higher, more even temperatures that can reduce cooking time and cook meat more evenly. Food that has a cooking time longer than 30 minutes, such as roasts, can be cooked indirectly (with the burner lit opposite to the food placement). When cooking very lean meats, such as chicken breasts or lean pork, the grids can be oiled before pre-heating to reduce sticking. Cooking meat with a high degree of fat content can create flare-ups. Either trim the fat or reduce temperatures to inhibit this. Should a flare-up occur, move food away from the flames and reduce the heat. Leave the lid open. See Your All Season Grill cookbook by Napoleon for more detailed instructions.

## Cleaning Instructions



**WARNING!** Always wear protective gloves and safety glasses when servicing your grill.



**WARNING!** To avoid the possibility of burns, maintenance should be done only when the grill is cool. Avoid unprotected contact with hot surfaces. Ensure all burners are turned off. Clean grill in an area where cleaning solutions will not harm decks, lawns, or patios. Do not use oven cleaner to clean any part of this gas grill. Do not use a self-cleaning oven to clean cooking grids or any other parts of the gas grill. Barbecue sauce and salt can be corrosive and will cause rapid deterioration of the gas grill components unless cleaned regularly.



**Note:** Stainless steel tends to oxidize or stain in the presence of chlorides and sulfides, particularly in coastal areas and other harsh environments, such as the warm, highly humid atmosphere around pools and hot tubs. These stains could be perceived as rust, but can be easily removed or prevented. To provide stain prevention and removal, wash all stainless steel and chrome surfaces every 3-4 weeks or as often as required with fresh water and/or stainless steel cleaner.

**Cast Iron Cooking Grids:** The cast iron cooking grids supplied with your new grill offer superior heat retention and distribution. By regularly seasoning your grids you are adding a protective coating, which will aid in resisting corrosion and increase your grids non-stick capabilities.

**First Time Use:** Wash the cooking grids by hand with mild dish soap and water to remove any residue from the manufacturing process (never wash in a dish washer). Rinse thoroughly with hot water and dry completely with a soft cloth. This is important to avoid moisture from entering the cast iron.

**Seasoning:** Using a soft cloth, spread VEGETABLE SHORTENING over the entire grid surface ensuring all grooves and corners are covered. Do not use salted fats such as butter or margarine. Pre-heat your grill for 15 minutes, then place the seasoned cooking grids in the grill. Turn the burner control knobs to medium with the lid closed. Allow the cooking grids to heat for approximately one-half hour. Turn all the burners to the “OFF” position and turn the gas off at the source. Let the cooking grids stand until cool. This procedure should be repeated several times throughout the season, although it is not required for daily use (follow daily usage procedure below).

**Daily Usage:** Before pre-heating, and cleaning with a brass wire grill brush, coat the entire top surface of the cooking grids with VEGETABLE SHORTENING. Pre-heat the grill and then brush away any unwanted residue with a brass wire brush.

**Cleaning Inside The Gas Grill :** Remove the cooking grids. Use a brass wire brush to clean loose debris from casting sides and underneath the lid. Brush all debris from inside the gas grill into the removable drip pan.

**Drip Pan:** Accumulated grease is a fire hazard. Clean the drip pan frequently to avoid grease buildup. Grease and excess drippings pass through to the drip pan, located beneath the gas grill and accumulate. To clean, slide the drip pan free of the grill. Never line the drip pan with aluminum foil, sand or any other material as this could prevent the grease from flowing properly. The pan should be scraped out with a putty knife or scraper.



**CAUTION!** Ensure drip pan is empty and clean before transporting grill in vertical position.

**Cleaning The Outer Grill Surface:** Do not use abrasive cleaners or steel wool on any painted, porcelain or stainless steel parts of your Napoleon Grill. Doing so will scratch the finish. Exterior grill surfaces should be cleaned with warm soapy water while the metal is still warm to the touch. To clean stainless surfaces, use a stainless steel or a non-abrasive cleaner. Always wipe in the direction of the grain. Over time, stainless steel parts discolor when heated, usually to a golden or brown hue. This discoloration is normal and does not affect the performance of the grill. Porcelain enamel components must be handled with additional care. The baked-on enamel finish is glass-like, and will chip if struck. Touch-up enamel is available from your Napoleon Grill dealer.

## Maintenance Instructions

We recommend this gas grill be thoroughly inspected and serviced annually by a qualified service person. At all times keep the gas grill area free from combustible materials, gasoline and other flammable vapors and liquids. Do not obstruct the flow of ventilation and combustion air.



**WARNING!** Always wear protective gloves and safety glasses when cleaning your grill.

**WARNING!** Turn off the gas at the source and disconnect the unit before servicing. To avoid the possibility of burns, maintenance should be done only when the grill is cool. A leak test must be performed annually and whenever any component of the gas train is replaced or gas smell is present.

**Burner:** The burner is made from heavy wall 304 stainless steel, but extreme heat and a corrosive environment can cause surface corrosion to occur. This can be removed with a brass wire brush.

**CAUTION!** Beware of Spiders.

Spiders and insects are attracted to the smell of propane and natural gas. The burner is equipped with an insect screen on the air shutter, which reduces the likelihood of insects building nests inside the burner but does not entirely eliminate the problem. A nest or web can cause the burner to burn with a soft yellow or orange flame or cause a fire (flashback) at the air shutter underneath the control panel. To clean the inside of the burner, it must be removed from the gas grill: Remove the screw (s) that attach the cross light bracket and the burner to the base. Slide the burner back and upwards to remove.

**Cleaning:** Use a flexible venturi tube brush to clean the inside of the burner. Shake any loose debris from the burner through the gas inlet. Check the burner ports and valve orifices for blockages. Burner ports can close over time due to cooking debris and corrosion; use an opened paperclip to clean them. The ports are easier to clean if the burner is removed from the grill, but it can also be done with the burner installed.

**CAUTION!** Take care not to enlarge the holes.

Ensure the insect screen is clean, tight, and free of any lint or other debris.

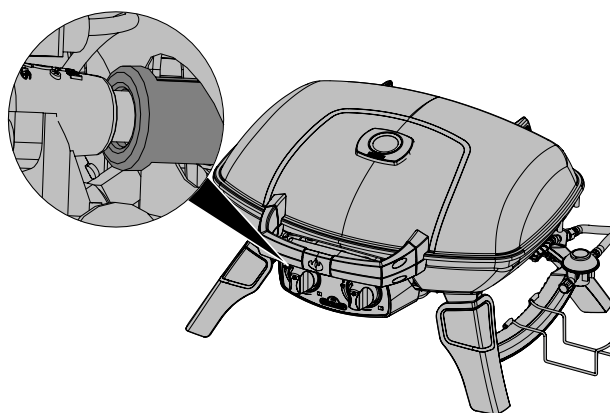
**Reinstallation:** Reverse the procedure to reinstall the burner. Check that the valve enters the burner when installing. Replace cross light bracket and tighten screws to complete reinstallation.







**WARNING!** When reinstalling the burner after cleaning it is very important that the valve/orifice enters the burner tube before lighting your gas grill. If the valve is not inside the burner tube a fire or explosion could occur.



**WARNING!** Hose: Check for abrasions, melting, cuts, and cracks in the hose. If any of these conditions exist, do not use the gas grill. Have the part replaced by your Napoleon Grill dealer or qualified gas installer.

# Troubleshooting

Problem	Possible Causes	Solution
Low heat / Low flame when valve turned to high.	Blockage of gas. Improper preheating.	Check for spider webs in the burner or orifice. Preheat grill with main burners on high for 5 to 10 minutes.
Excessive flare-ups/ uneven heat.	Improper preheating. Excessive grease and ash build up in drip pan.	Preheat grill with both main burners on high for 5 to 10 minutes. Clean drip pan regularly. Do not line pan with aluminum foil. Refer to cleaning instructions.
Burners burn with yellow flame, accompanied by the smell of gas.	Possible spider web or other debris, or improper air shutter adjustment.	Thoroughly clean burner by removing. See general maintenance instructions. Open air shutter slightly according to combustion air adjustment instructions. (This must be done by a qualified gas installer.)
Flames lift away from burner, accompanied by the smell of gas, and possibly difficulties in lighting.	Improper air shutter adjustment.	Close air shutter slightly according to combustion air adjustment instructions. (This must be done by a qualified gas installer.)
Burner will not light with the igniter, but will light with a match.	Jet-fire outlet is dirty or clogged.	Clean jet-fire outlet with a soft bristle brush.
Humming regulator.	Normal occurrence on hot days.	This is not a defect. It is caused by internal vibrations in the regulator and does not affect the performance or safety of the gas grill. Humming regulators will not be replaced.
"Paint" appears to be peeling inside lid or hood.	Grease build-up on inside surfaces.	This is not a defect. The peeling is caused by hardened grease, which dries into paint-like shards that flake off. Regular cleaning will prevent this. See cleaning instructions.
Burner output on "high" setting is too low. (Rumbling noise and fluttering blue flame at burner surface.)	Lack of gas. Supply hose is pinched. Dirty or clogged orifice. Spider webs or other matter in venturi tube.	Check gas level in propane cylinder. Reposition supply hose as necessary. Clean burner orifice. Clean out venturi tube.

**KEEP YOUR RECEIPT AS PROOF OF PURCHASE TO VALIDATE YOUR WARRANTY.**

# Ordering Replacement Parts

## *Warranty Information*

MODEL: \_\_\_\_\_

DATE OF PURCHASE: \_\_\_\_\_

SERIAL NUMBER: \_\_\_\_\_

### ***(Record information here for easy reference)***

Before contacting the Customer Solutions Department, check the Napoleon Grills Website for more extensive cleaning, maintenance, troubleshooting and parts replacement instructions at [www.napoleongrills.com](http://www.napoleongrills.com). Contact the factory directly for replacement parts and warranty claims. Our Customer Solutions Department is available between 9 AM and 5 PM (Eastern Standard Time) at 1-866-820-8686 or by e-mail at [grills@napoleonproducts.com](mailto:grills@napoleonproducts.com). To process a claim, we must be provided with the following information:

1. Model and serial number of the unit.
2. Part number and description.
3. A concise description of the problem ('broken' is not sufficient).
4. Proof of purchase (photocopy of the invoice).

In some cases the Customer Solutions Representative could request to have the parts returned to the factory for inspection before providing replacement parts. These parts must be shipped prepaid to the attention of the Customer Solutions Department with the following information enclosed:

1. Model and serial number of the unit.
2. A concise description of the problem ('broken' is not sufficient).
3. Proof of purchase (photocopy of the invoice).
4. Return Authorization Number - provided by the Customer Solutions Representative.

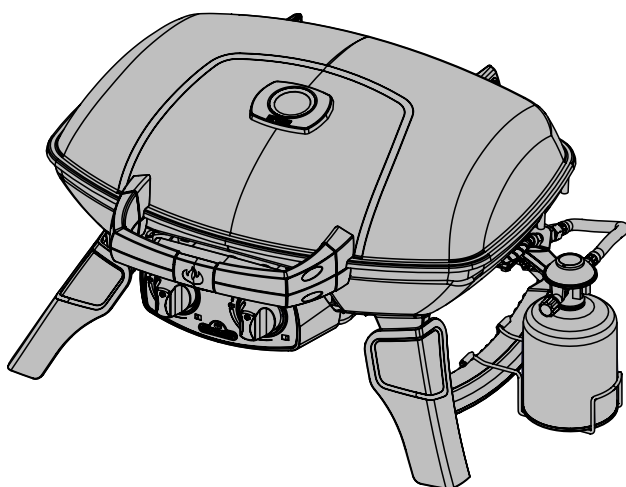
Before contacting Customer Solutions Representative, please note that the following items are not covered by the warranty:

- Costs for transportation, brokerage or export duties.
- Labour costs for removal and reinstallation.
- Costs for service calls to diagnose problems.
- Discoloration of stainless steel parts.
- Part failure due to lack of cleaning and maintenance, or use of improper cleaners (oven cleaner or other harsh chemicals).

Ce gril doit être utilisé uniquement à l'extérieur, dans un endroit bien aéré et ne doit jamais être utilisé à l'intérieur d'un bâtiment, d'un garage, un gazebo, une véranda avec paramoustique, ou de tout autre endroit fermé.



FR



### DANGER

SI VOUS DÉTECTEZ UNE ODEUR DE GAZ :

- Fermez l'alimentation en gaz à l'appareil.
- Éteignez toute flamme nue.
- Ouvrez le couvercle.
- Si l'odeur persiste, éloignez-vous de l'appareil et appelez immédiatement votre fournisseur de gaz ou le service des incendies.



### AVERTISSEMENT

Ne tentez pas d'allumer cet appareil avant d'avoir lu la section «INSTRUCTIONS D'ALLUMAGE» de ce manuel.

Pour votre sécurité, n'entrez pas et n'utilisez pas d'essence ou autres liquides et vapeurs inflammables à proximité de cet ou tout autre appareil. Une bonbonne de propane non branchée ne devrait pas être entreposée à proximité de cet ou de tout autre appareil. Si ces instructions ne sont pas suivies à la lettre, un feu ou une explosion pourraient s'ensuivre, causant des dommages à la propriété, des blessures corporelles ou des pertes de vie.

Note à l'installateur : Laissez ces instructions au propriétaire du gril pour consultation ultérieure.



N415-0289CE-W MAR 27.18

Wolf Steel Europe BV  
Poppenbouwing 29-31, 4191 NZ Geldermalsen,  
CCI No. 51509970, THE NETHERLANDS  
[info@napoleongrills.nl](mailto:info@napoleongrills.nl)

[www.napoleongrills.com](http://www.napoleongrills.com)

# Garantie limitée à vie de 10 ans de Napoléon



Les produits NAPOLÉON sont conçus avec des composants et des matériaux de qualité supérieure, assemblés par des artisans qualifiés qui sont fiers de leur travail. Ce gril a été soigneusement inspecté par un technicien qualifié avant d'être emballé et expédié pour garantir que vous, le client, recevez le produit de qualité dont vous vous attendez de la part de NAPOLÉON.

FR

NAPOLÉON garantit que les composants de votre nouveau produit NAPOLÉON seront exempts de défauts de matériau ou de fabrication à compter de la date de l'achat, et ce, pour la durée suivante :

Pièces en fonte d'aluminium / base en acier inoxydable .....	<b>10 ans</b>
Couvercle en acier inoxydable .....	<b>10 ans</b>
Couvercle en porcelaine émaillée .....	<b>10 ans</b>
Couvercle en acier peint .....	<b>5 ans de pleine garantie, plus 50 % de rabais jusqu'à la 10e année</b>
Brûleurs tubulaires en acier inoxydable.....	<b>5 ans de pleine garantie, plus 50 % de rabais jusqu'à la 10e année</b>
Plaques de brûleur en fonte émaillée en porcelaine .....	<b>5 ans de pleine garantie, plus 50 % de rabais jusqu'à la 10e année</b>
Plaques de brûleur en acier inoxydable ou en porcelaine	<b>3 ans de pleine garantie, plus 50 % de rabais jusqu'à la 10e année</b>
Toutes les autres pièces.....	<b>2 ans</b>

## \*Conditions et limitations

La présente garantie limitée couvre une période de garantie telle que spécifiée dans le tableau ci-dessus pour tout produit acheté par l'entremise d'un détaillant autorisé NAPOLÉON et donne droit à l'acheteur d'origine à la couverture spécifiée relativement à tout composant remplacé durant la période de garantie, que ce soit par NAPOLÉON ou un détaillant autorisé NAPOLÉON, pour le remplacement de tout composant qui présente une défaillance dans le cadre d'un usage privé normal à la suite d'un défaut de fabrication. La mention « 50 % de rabais » indiquée dans le tableau signifie que le composant est mis à disposition de l'acheteur à 50 % de son prix de détail courant pour la période indiquée. La présente garantie limitée ne couvre ni les accessoires ni les articles offerts gratuitement.

Il est entendu que l'« usage privé normal » d'un produit signifie que le produit : a été installé par un technicien de service ou entrepreneur certifié, conformément aux instructions d'installation incluses avec le produit et à tous les codes d'incendie et de construction locaux et nationaux; a été entretenu correctement; et n'a pas été utilisé dans une application à usage collectif ou commercial.

De la même manière, « défaillance » n'inclut pas : la surchauffe, les extinctions causées par des conditions environnementales telles que des vents forts ou une ventilation inadéquate, les égratignures, les bosses, la corrosion, la détérioration des finis peints et plaqués, la décoloration due à la chaleur, aux nettoyants abrasifs ou chimiques ou à l'exposition à des rayons UV, l'écaillage des pièces en porcelaine émaillée ou les dommages causés par un mauvais usage, un accident, la grêle, des feux de graisse, un manque d'entretien, un environnement inadéquat tel que le sel ou le chlore, des altérations, des abus, des négligences ou des pièces installées par d'autres fabricants.

Dans le cas d'une détérioration des composants causant le mauvais fonctionnement de l'appareil (perforation par la rouille ou la surchauffe) pendant la période couverte par la garantie, les pièces de rechange seront fournies par NAPOLÉON. Les composants de rechange relèvent de la seule responsabilité de NAPOLÉON telle que définie par la présente garantie limitée; en aucun cas, NAPOLÉON ne saurait être tenu responsable de l'installation, de la main-d'œuvre ou de tous autres coûts ou dépenses relatifs à la réinstallation d'une pièce garantie, de tous dommages accessoires, consécutifs ou indirects ni de tous frais de transport, de main-d'œuvre ou taxes d'exportation.

La présente garantie limitée vient s'ajouter à tous les droits qui vous sont accordés par la législation locale. Par conséquent, la présente garantie limitée n'impose pas à NAPOLÉON l'obligation de garder des pièces en stock. En fonction de la disponibilité des pièces, NAPOLÉON peut, à sa discrétion, se libérer de toute obligation en fournissant à un client un crédit au prorata applicable à un nouveau produit. Après la première année, NAPOLÉON peut, à sa discrétion, se libérer entièrement de toute obligation en ce qui concerne la présente garantie limitée en remboursant à l'acheteur d'origine le prix de gros de toute pièce garantie et défectueuse.

La facture ou une copie sera requise ainsi que le numéro de série et le numéro de modèle lors d'une réclamation auprès de NAPOLÉON. NAPOLÉON se réserve le droit de demander à son représentant d'inspecter tout produit ou pièce avant d'honorer toute réclamation. Pour pouvoir bénéficier de la couverture de garantie, vous devez contacter le service à la clientèle de NAPOLÉON ou un détaillant autorisé NAPOLÉON.



napoleongrills.com



**AVERTISSEMENT!** Si ces instructions ne sont pas suivies, des dommages matériels, des blessures corporelles ou des pertes de vie pourraient s'ensuivre. Lisez et respectez tous les avertissements et les instructions de ce manuel avant de faire fonctionner le grill.

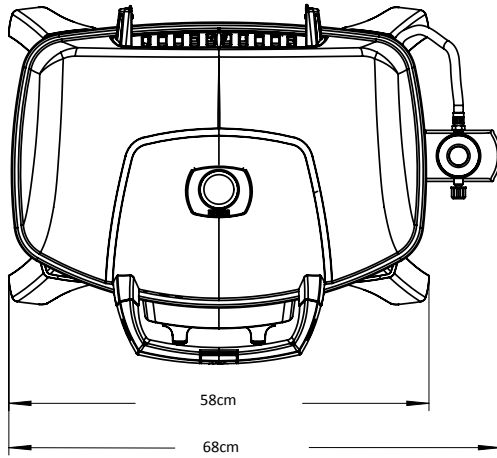
## Pratiques Sécuritaires D'utilisation

- Ce grill à gaz doit être assemblé conformément aux instructions du manuel. Si le grill a été assemblé en magasin, vous devez réviser les instructions d'assemblage afin de confirmer que le grill ait été assemblé correctement et aussi pour effectuer un test de détection de fuite avant d'utiliser le grill.
- Lire le manuel d'instructions en entier avant d'utiliser le grill.
- Ce grill doit être utilisé uniquement à l'extérieur, dans un endroit bien aéré et ne doit jamais être utilisé à l'intérieur d'un bâtiment, d'un garage, un gazebo, une véranda avec paramoustique, ou de tout autre endroit fermé.
- Ce grill à gaz est conçu pour fonctionner avec du propane, du butane ou un mélange de propane/ butane seulement.
- N'installez pas le grill dans un endroit venteux. Les vents forts nuiront à la performance de cuisson de votre grill.
- Ce grill ne devra être modifié en aucun cas. Les composants scellés par le fabricant, le technicien de service autorisé ou le contractant ne doivent pas être manipulés par l'utilisateur.
- Ne pas fonctionner le grill sous une construction combustible non protégée.
- Respecter les dégagements recommandés aux matériaux combustibles (457mm) à l'arrière du grill et (457mm) sur les côtés). Un dégagement plus grand est recommandé à proximité d'un recouvrement de vinyle ou d'une surface vitrée.
- Le tuyau d'alimentation en gaz doit être installé de façon à ce qu'il n'entre pas en contact avec les surfaces chaudes du grill lors du fonctionnement ou lors de l'entreposage et des déplacements.
- La cartouche de propane doit être débranchée lorsque le grill à gaz n'est pas utilisé.
- Lorsque la cartouche de gaz est branchée à l'appareil, le grill à gaz et la cartouche doivent être entreposés à l'extérieur, dans un endroit bien aéré.
- Lorsque le grill doit être entreposé à l'intérieur, la cartouche de gaz doit être débranchée du grill et entreposée à l'extérieur dans un endroit bien aéré, hors de la portée des enfants.
- Les cartouches de propane ne doivent en aucun temps être entreposées à l'intérieur d'un bâtiment, d'un garage ou de tout autre endroit fermé.
- Inspectez le tuyau d'alimentation en gaz avant chaque utilisation. S'il montre des signes de fendillement excessif, d'usure ou s'il est coupé, il doit être remplacé par un ensemble de rechange spécifié par le fabricant avant d'utiliser le grill.
- N'entreposez pas de cartouche de rechange sous ce grill ou à proximité.
- Ne pas passer le tuyau d'alimentation sous le tiroir d'égouttement - le dégagement requis entre le tuyau et le fond de la cuve doit être maintenu.
- Faire un test de détection de fuites avant la première utilisation, annuellement et à chaque fois qu'une pièce du système de gaz est remplacée.
- Suivre les instructions d'allumage à la lettre lorsque vous utilisez votre grill.
- Ne pas allumer les brûleurs avec le couvercle fermé.
- Les adultes et particulièrement les enfants doivent être sensibilisés aux risques que représentent les surfaces exposées à des températures élevées. Surveillez les jeunes enfants lorsqu'ils sont près du grill.
- Ne pas laisser le grill sans surveillance lorsqu'il est allumé.
- Ne pas déplacer le grill pendant qu'il fonctionne ou qu'il est chaud.
- Gardez les cordons électriques et les tuyaux d'alimentation en gaz éloignés des surfaces chauffantes.
- S'assurer que la plaque de brûleur (si équipée) est installée de façon adéquate.
- Nettoyer le tiroir d'égouttement et la plaque de brûleur (si équipée) régulièrement pour éviter les feux de graisse.
- Ne pas utiliser d'eau, de bière ou autre liquide pour contrôler les poussées de flamme.
- N'utilisez pas un pulvérisateur pour nettoyer l'appareil.
- Cet appareil n'est pas conçu pour un usage commercial.
- Ce grill à gaz n'est pas conçu et ne doit jamais être utilisé comme appareil de chauffage.

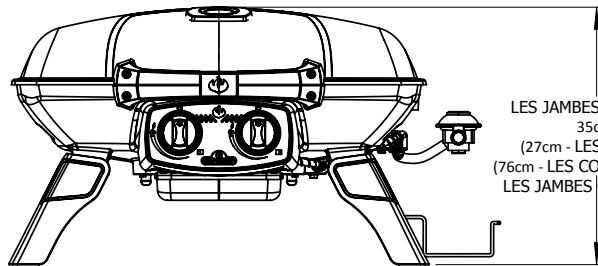
FR

# DIMENSIONS

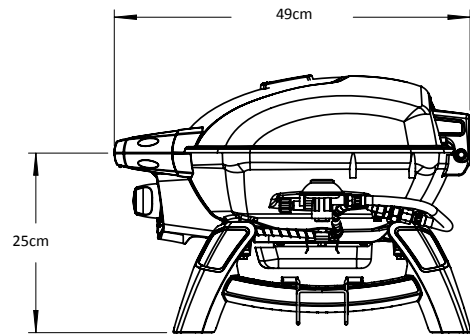
FR



TQ285 GRILLE  
 DIMENSIONS GRILLE: 37 cm X 54 cm (IRRÉGULIER) = 1840 cm<sup>2</sup>  
 TOUS LES DIMENSIONS SONT APPROXIMATIVES



LES JAMBES OUVERTES  
 35cm  
 (27cm - LES JAMBES REPLIÉES)  
 (76cm - LES COUVERCLE OUVERTES,  
 LES JAMBES OUVERTES)





## Manipuler Avec Soins



**ATTENTION!** Manipulez ou transportez votre gril avec soin afin de prévenir tout dommage et désalignement des composantes internes. Malgré que le gril a été conçu pour avoir une certaine mobilité, toute manipulation brusque ou de l'abus causeront des dommages aux composantes internes, nuisant ainsi au bon fonctionnement de votre gril.



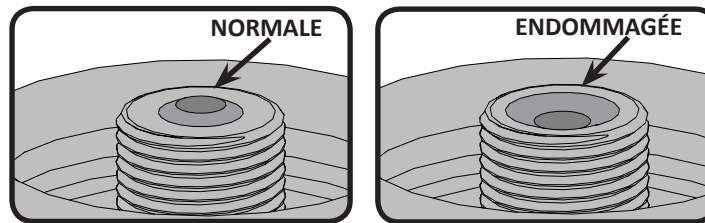
### Mise au rebut du produit

À travers l'UE, ce symbole indique que le produit ne doit pas être mis au rebut avec les autres ordures ménagères. Afin de protéger l'environnement et la santé publique contre les déchets non contrôlés, veuillez recycler l'appareil de manière responsable afin d'encourager la réutilisation durable de ressources de matériaux. Afin de retourner votre appareil usagé, veuillez utiliser les systèmes de retour ou de récupération ou contactez le revendeur auprès duquel l'appareil a été acheté. Ils peuvent reprendre l'appareil afin de le faire recycler et ainsi protéger l'environnement.

## Cartouche de gaz

N'utilisez que des cartouches de gaz qui répondent aux exigences des normes régionales et nationales. Utilisez propane pour le meilleur résultat. Les cartouches jetables doivent se conformer aux exigences de la norme EN417 et être munies d'une soupape étanche lindal. Les cartouches doivent avoir une capacité entre 430 g et 460 g. Les cartouches doivent être remplies avec du propane ou un mélange de propane/butane.

- Inspectez le joint annulaire sur le régulateur. S'il est endommagé, remplacez le régulateur.
- Ne branchez jamais une cartouche qui ne répond pas aux exigences des normes locales.
- Les cartouches jetables doivent être fixées en tout temps sur le côté du gril, à la verticale, à l'aide du support de retenue fourni.
- N'entreposez jamais de cartouche de rechange à proximité d'un appareil en fonction. Les cartouches ne doivent pas être exposées à la chaleur extrême ou à la lumière directe du soleil.
- Ne serrez pas trop la cartouche, car le serrage excessif peut endommager le raccord du régulateur ou celui de la cartouche. Ceci peut causer une fuite ou nuire à l'écoulement du gaz vers l'appareil.

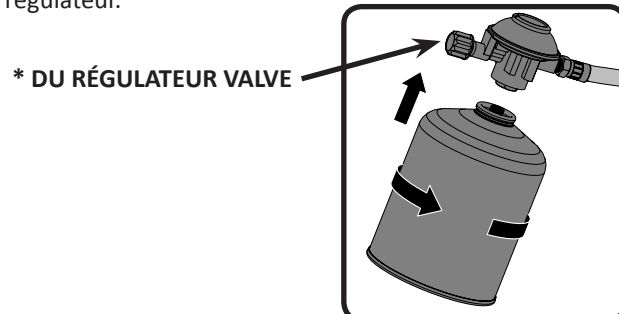
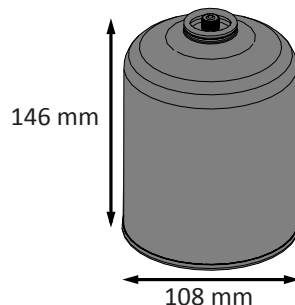


**AVERTISSEMENT!** Le bouchon devrait être mis en place lorsque la cartouche n'est pas utilisée afin d'empêcher la saleté et les débris de pénétrer dans la soupape.

**AVERTISSEMENT!** Lisez les instructions sur la cartouche avant d'utiliser. Une cartouche bosselée ou rouillée peut être dangereuse. Jetez la cartouche si vous apercevez des particules de rouille ou des débris dans la zone de connexion de la cartouche.

**Branchement de la cartouche :** Assurez-vous que le tuyau du régulateur de gaz est sans anomalie. La cartouche possède un raccord qui empêche l'écoulement du gaz jusqu'à ce qu'un joint étanche soit obtenu. Enlevez le bouchon de la cartouche. Pour installer la cartouche, vissez-la dans le régulateur dans un sens horaire. Serrez à la main seulement, ne jamais utiliser d'outils.

Faites un test de détection de fuites avant d'utiliser le gril. Un test de détection de fuites doit être fait annuellement et à chaque fois qu'une cartouche est branchée ou qu'une pièce du système de gaz est remplacée. Les cartouches jetables doivent être fixées sur le côté du gril, à la verticale, à l'aide du support de retenue fourni. Ceci empêchera le propane liquide/butane d'entrer dans le régulateur, ce qui pourrait causer une surchauffe et endommager le régulateur.



\* Pour un fonctionnement adéquat, assurez-vous que le soupape de réglage du ouvert.



### AVERTISSEMENT!

- Ne pas passer le tuyau d'alimentation sous le tiroir d'égouttement.
- Assurez-vous que tous les raccordements de boyaux sont serrés à l'aide de deux clés. N'utilisez pas de ruban de Téflon ou de composé pour raccord de tuyau sur les raccordements.
- Assurez-vous que le boyau ne touche à aucune surface à haute température sinon il risque de fondre, de provoquer une fuite et causer un feu.

FR

## Tuyau De Gaz

- Si le tuyau et le régulateur ne sont pas fournis par le fabricant, seuls les tuyaux et les régulateurs se conformant aux exigences des normes nationales et régionales peuvent être utilisés.
- Assurez-vous que le tuyau n'entre pas en contact avec de la graisse, d'autres jus de cuisson chauds ou toute surface chaude sur l'appareil.
- Inspectez le tuyau régulièrement. Si le tuyau montre des signes de fendillement, de fonte ou d'usure, remplacez le tuyau avant d'utiliser l'appareil.
- Le tuyau ne doit pas dépasser 1,5 m de longueur.
- Assurez-vous que le tuyau ne soit pas plié ou tordu lorsque installé.
- Remplacez le tuyau avant la date d'expiration imprimée sur celui-ci.

## Données Technique

Le tableau ci-dessous affiche les valeurs d'entrée de l'appareil.

Brûleur	Taille De L'injecteur		(Brut) Entrée De Chaleur (Total)		Utilisation De Gaz (Total)	
	I	II	I	II	I	II
	#69 (0.74 mm)	#73 (0.61 mm)	4.1kW	4.1kW	301 g/hr	301 g/hr

Gaz certifiés / pressions - Vérifiez la plaque d'homologation pour vous assurer qu'elle corresponde avec la liste suivante.

Catégorie de gaz	I 3B/P(30)	I 3+(28-30/37)	I 3B/P(50)
Grandeurs de l'injecteur (voir ci-dessus)	I	I	II
Gaz / pressions	Butane et Propane à 30mbar	Butane 28-30mbar Propane 37mbar	Butane et Propane à 50mbar
Pays	BE, BG, CY, DK, EE, FI, FR, GB, HR, HU, IS, IT, LT, LU, MT, NL, NO, RO, SE, SI, SK, TR	BE, CH, CY, CZ, ES, FR, GB, GR, IE, IT, LT, LU, LV, PT, SK, SI	AT, CH, DE, SK

Ne démontez pas et ne modifiez pas le régulateur. Ne démontez pas et ne modifiez pas le régulateur. N'utilisez que des régulateurs fournissant les pressions affichées dans le tableau ci-dessus. Pour un remplacement, n'utilisez que le régulateur indiqué par le fabricant.

## Utilisation sur une table

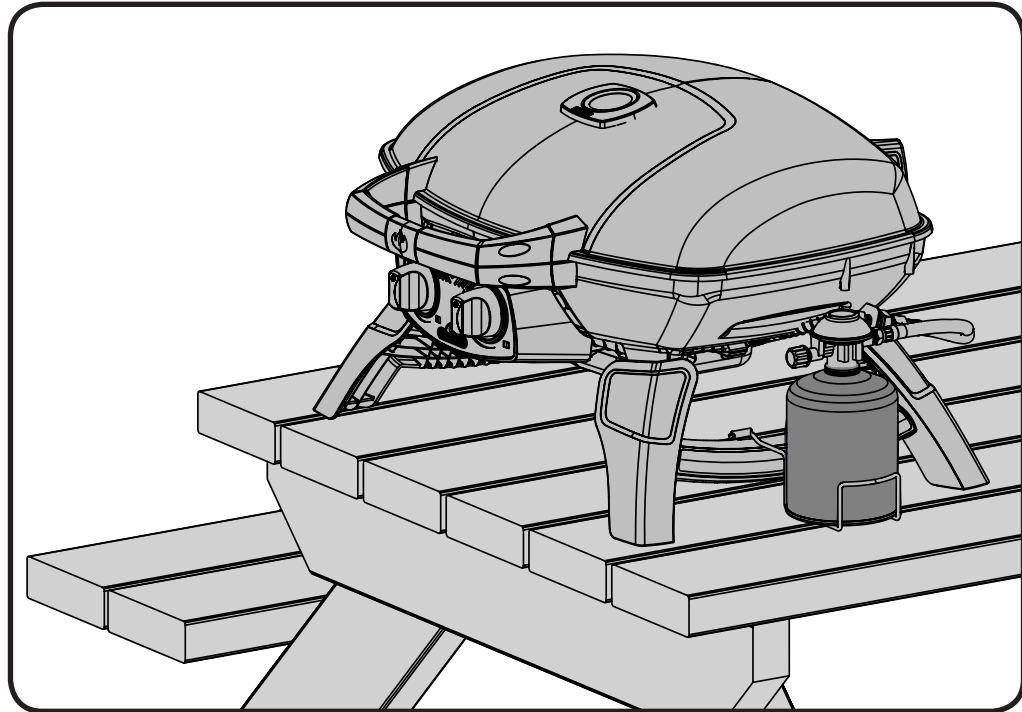
Le TQ285/PRO285 a été conçu avec la mobilité à l'esprit. Grâce à ses pattes pliantes, le TQ285/PRO285 peut être installé sur la plupart des tables. Les pattes se déplient et bloquent en place pour ensuite sereplier lors de vos déplacements.



**AVERTISSEMENT!** Les pattes situées de chaque côté du gril doivent être dépliées pendant l'utilisation.



**AVERTISSEMENT!** N'utilisez pas le gril sur des surfaces de table en plastique, en résine ou en verre.



FR

## Test De Détection De Fuites



**AVERTISSEMENT!** Il doit être fait avant la première utilisation, annuellement et à chaque fois qu'une pièce du système de gaz est remplacée ou réparée.



**AVERTISSEMENT!** N'utilisez pas une flamme nue pour vérifier pour des fuites de gaz. Assurez-vous qu'il n'y ait aucune étincelle ni flamme nue à proximité de l'endroit à vérifier. Les étincelles ou les flammes nues provoqueront un feu ou une explosion, causant des dommages matériels, des blessures graves ou des pertes de vie.



**Test De Fuites:** Il doit être fait avant la première utilisation, annuellement et à chaque fois qu'une pièce du système de gaz est remplacée ou réparée. Ne fumez pas et enlevez toutes sources d'allumage lorsque vous faites ce test. Consultez le schéma de test de fuites pour voir les endroits à tester.



1 - Fermez tous les boutons des brûleurs. Ouvrez la soupape de la bonbonne.

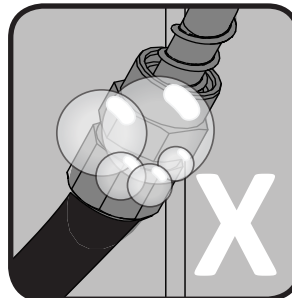
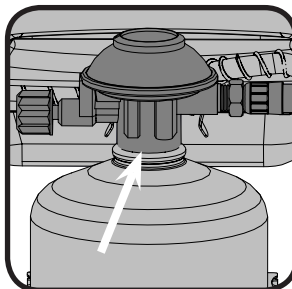
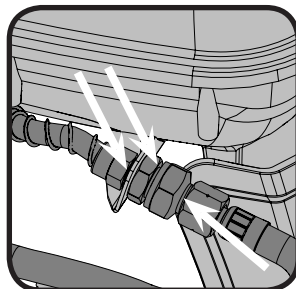
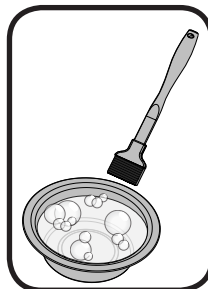
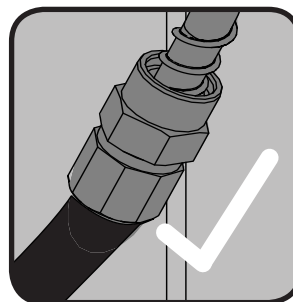
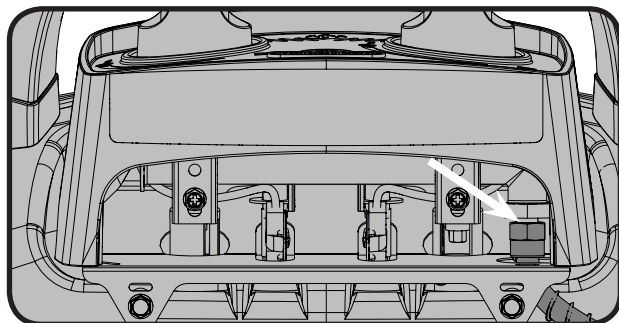
2 - Appliquez une solution de deux parts égales de savon liquide et d'eau sur tous les joints du régulateur, le tuyau et ses raccords.

3 - Des bulles indiqueront une fuite de gaz. Resserrez le joint ou remplacez la pièce avec une autre recommandée par le détaillant.

4 - Si la fuite ne peut être réparée, **fermez l'alimentation de gaz à la bonbonne**, enlevez-la et faites inspecter votre gril par votre fournisseur de gaz ou détaillant. N'utilisez pas l'appareil jusqu'à ce que la fuite soit réparée.

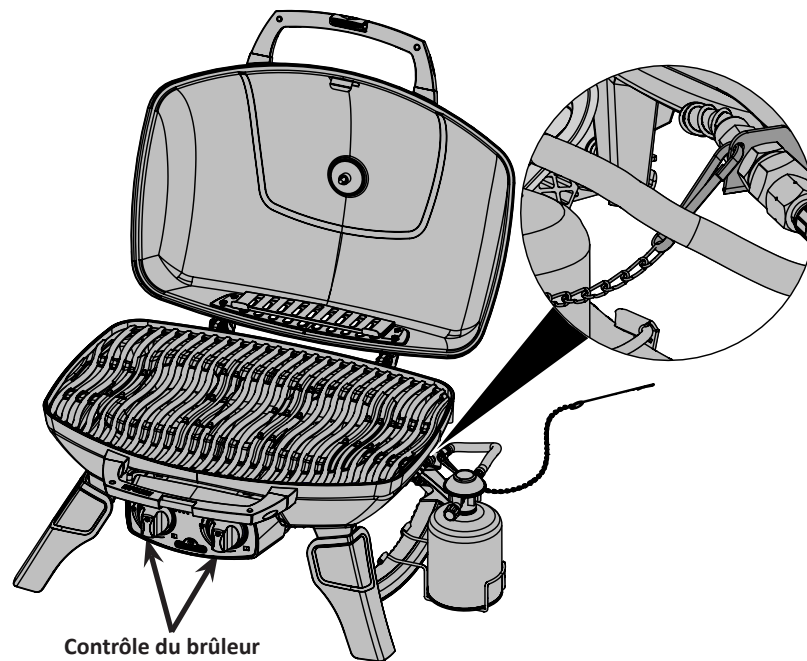


5 - Fermez la soupape de la bonbonne.



# Instruction D'allumage

FR



**AVERTISSEMENT!** Ouvrez le couvercle.

**AVERTISSEMENT!** Fermez tous les boutons de contrôle des brûleurs fermez. Branchez un cylindre jetable.

## Allumage du brûleur principal

1. Ouvrez le couvercle.

2. Appuyez et tournez lentement un des boutons de contrôle des brûleurs principaux à « hi ». Ceci allumera le brûleur sélectionné.

3. Si le brûleur ne s'allume pas, tournez immédiatement le bouton de contrôle à « off » puis répétez l'étape 2 à plusieurs reprises.

4. Si le brûleur ne s'allume pas en moins de 5 secondes, tournez le bouton de contrôle à « off » et attendez 5 minutes pour permettre au surplus de gaz de se dissiper. Répétez les étapes 2 et 3 ou allumez avec allumette.

5. Si vous allumez l'appareil avec une allumette, fixez-la dans la tige d'allumage fournie. Tenez l'allumette allumée et abaissez-la dans le grill jusqu'en de brûleur et tournez la soupape du brûleur correspondant à "HIGH".



# Instructions D'opération



**AVERTISSEMENT!** Ne pas utiliser cet appareil sous un auvent. Le non respect de cette mesure de sécurité pourrait entraîner un incendie ou de blessures.



**DANGER!** Attendre que le gril soit froid avant de le ranger. Le non respect de cette mesure de sécurité pourrait entraîner un incendie causant des dommages à la propriété, des blessures ou la mort.

FR

**Éclairage initial:** Lorsqu'il est allumé pour la première fois, le gril dégagera une légère odeur. Ceci est un phénomène normal et temporaire causé par l'évaporation des peintures et lubrifiants internes utilisés dans le processus de fabrication et ne se reproduira plus. Allumez simplement les brûleurs de cuve à "high" pendant une demi-heure.

**Utilisation Du Brûleur:** Avant de cuire les aliments il est recommandé de préchauffer le gril à "high" avec le couvercle fermé pendant environ 10 minutes. Les aliments à cuisson courte (poisson, légumes) peuvent être grillés avec le couvercle ouvert. Une cuisson avec le couvercle fermé procurera des températures plus élevées et plus constantes qui réduiront la période de cuisson et cuiront la viande de façon plus égale. Les aliments qui requièrent un temps de cuisson de plus de 30 minutes, tels que les rôtis, peuvent être cuits en utilisant la méthode indirecte (avec le brûleur allumé du côté opposé à l'emplacement de la viande). Lorsque vous faites cuire des viandes très maigres, comme une poitrine de poulet ou du porc maigre, il est à conseiller de huiler les grilles de cuisson avant le préchauffage ce qui aura pour effet d'empêcher la viande de trop coller aux grilles. Le fait de cuire de la viande avec beaucoup de gras, peut causer des flambées soudaines. Il suffit alors d'enlever le gras avant la cuisson ou de réduire la température pour remédier à ce problème. En cas de flambées, éloignez les aliments de la flamme et réduisez la température. Gardez le couvercle ouvert. Pour des instructions plus détaillées, veuillez consulter le "Livres de recettes toutes saisons" de NAPOLEON.

## Nettoyage



**AVERTISSEMENT!** Portez toujours des gants protecteurs et des lunettes de sécurité lorsque vous l'entretien votre gril.



**AVERTISSEMENT!** Assurez-vous que les brûleurs sont éteints avant de nettoyer. Éviter tout contact avec les surfaces chaudes. Nettoyez votre gril dans un endroit où les produits de nettoyage n'endommageront pas votre patio, terrain ou terrasse. N'utilisez pas de produit de nettoyage à fourneau pour nettoyer votre gril. La sauce BBQ et le sel sont très corrosifs et causeront une détérioration très rapide de votre gril à moins que vous ne fassiez un nettoyage régulier.



**Note :** L'acier inoxydable a tendance à s'oxyder ou à tacher en présence de chlorures et de sulfures que l'on retrouve particulièrement dans les zones côtières ainsi que dans les environnements chauds et humides tels que les piscines et les spas. Ces taches peuvent être prises pour de la rouille mais il peuvent être facilement enlevées et même évitées. Afin de prévenir les taches, nettoyez toutes les surfaces en acier inoxydable et chrome toutes les trois à quatre semaines ou au besoin avec de l'eau douce et un nettoyant à acier inoxydable.

**Grilles de cuisson en fonte :** Les grilles de cuisson en fonte incluses avec votre nouveau gril offrent une rétention et une distribution supérieures de la chaleur. En huilant vos grilles de cuisson, vous vous trouvez à ajouter une couche de protection qui aidera les grilles à mieux résister contre la corrosion et à augmenter les caractéristiques antiadhésives.

**Première utilisation :** Nettoyez les grilles de cuisson à la main avec un savon à vaisselle doux et de l'eau afin d'enlever tout résidu provenant du procédé de fabrication (ne jamais laver au lave-vaisselle). Rincez bien avec de l'eau chaude et séchez complètement avec un linge doux. Ceci est important pour éviter que de l'humidité pénètre la fonte.

**Entretien :** À l'aide d'un linge doux, appliquez une couche de SHORTENING VÉGÉTAL sur toute la surface de la grille en vous assurant de couvrir toutes les encoches et les coins. N'utilisez pas de corps gras salés comme du beurre ou de la margarine. Préchauffez votre gril pendant 15 minutes, puis placez les grilles de cuisson dans le gril. Tournez les boutons de commande à feu moyen puis fermez le couvercle. Laissez les grilles de cuisson chauffer environ une demi-heure. Éteignez le brûleur et fermez l'alimentation en gaz à la source. Laissez refroidir les grilles de cuisson. Cette procédure devrait être répétée plusieurs fois durant la saison, bien qu'elle ne soit pas requise à chaque utilisation du gril (suivez la procédure d'utilisation quotidienne ci-dessous).

**Utilisation quotidienne :** Avant de préchauffer et de nettoyer avec une brosse en laiton, appliquez une couche de SHORTENING VÉGÉTAL sur toute la surface des grilles. Préchauffez le gril et enlevez tous les résidus avec une brosse en laiton.

**Nettoyage De L'intérieur Du Gril:** Enlevez les grilles de cuisson. Utilisez une brosse en laiton pour enlever les débris non-incrustés sur les côtés de la cuve et à l'intérieur du couvercle. Nettoyez tous les débris qui se trouvent à l'intérieur du gril en les faisant tomber dans le tiroir d'égouttement.

**Nettoyage Du Tiroir D'égouttement :** Sortez le tiroir d'égouttement pour en faciliter le nettoyage. Il devrait être nettoyé fréquemment afin d'éviter une accumulation de graisse. La graisse et les jus de cuisson s'accumulent dans le tiroir d'égouttement qui se trouve sous le gril. L'accumulation de graisse peut créer un risque de feu. Ne tapissez jamais votre tiroir d'égouttement avec du papier d'aluminium car ceci aurait pour effet de nuire à l'approvisionnement en air nécessaire au bon fonctionnement du brûleur. Le tiroir d'égouttement devrait être gratté à l'aide d'un couteau à mastic ou d'un grattoir.



**ATTENTION!** Assurez-vous que le plateau d'égouttement est vide et nettoyé avant de transporter le gril à la verticale.

**Nettoyage De L'extérieur Du Gril:** N'utilisez pas de produits abrasifs pour nettoyer les pièces peintes, de fini porcelaine ou en acier inoxydable. Les éléments en porcelaine émaillée doivent être manipulés avec soin. Le fini émaillée étant cuit il devient comme du verre; il s'ébrêchera au moindre choc. Vous pouvez vous procurer de la peinture émaillée pour les retouches chez votre détaillant NAPOLEON. Utilisez une solution d'eau savonneuse chaude pour nettoyer l'extérieur du gril pendant qu'il est encore tiède au toucher. Pour nettoyer les surfaces en acier inoxydable utilisez un produit de nettoyage à acier inoxydable ou un produit de nettoyage tout usage sans abrasif. Frottez toujours dans le sens du grain. N'utilisez pas de laine d'acier car elle égratignerait le fini. Les pièces en acier inoxydable vont décolorer sous l'effet de la chaleur pour habituellement prendre une couleur dorée ou brune. Cette décoloration est normale et n'affectera pas la performance du gril.

## Instructions D'entretien

Nous vous conseillons de faire inspecter ce gril à gaz annuellement par un technicien de service qualifié. L'emplacement du gril à gaz doit être gardé libre de tous matériaux combustibles, essence ou autres liquides et vapeurs inflammables en tout temps. Les apports d'air comburant et d'air de ventilation ne doivent pas être obstrués.



**AVERTISSEMENT!** Portez toujours des gants protecteurs et des lunettes de sécurité lorsque vous nettoyez votre gril.



**AVERTISSEMENT!** Fermez le gaz à la source et débranchez l'appareil avant l'entretien. L'entretien devrait être effectué seulement lorsque le gril est froid pour éviter toutes possibilités de brûlure. Un test de détection de fuites devrait être effectué annuellement ou à chaque fois qu'une composante de gaz est remplacée.



**Brûleur :** Le brûleur est fabriqué à partir d'acier inoxydable 304 de gros calibre, mais la chaleur extrême et un environnement corrosif peuvent provoquer de la corrosion de surface. Cette corrosion peut être enlevée avec une brosse en laiton.

**ATTENTION!** Méfiez-vous des araignées.



Les araignées et les insectes sont attirés par l'odeur du propane et du gaz naturel. Le brûleur est équipé d'un grillage sur le volet d'air, ce qui réduit la probabilité que des insectes se construisent des nids dans le brûleur, mais n'élimine pas complètement le problème. La présence d'un nid ou d'une toile d'araignée dans le brûleur produira une flamme jaune pâle ou orangée ou causera un feu (retour de flamme) au niveau du volet d'air sous le panneau de commande. Pour nettoyer l'intérieur du brûleur, retirez-le du gril à gaz : Enlevez la(les) vis servant à fixer le support du pont d'allumage et le brûleur à la base. Glissez le brûleur vers l'arrière et vers le haut pour le retirer. Nettoyage : Utilisez une brosse à venturi flexible pour nettoyer l'intérieur du brûleur. Secouez tous les débris hors du brûleur en les faisant sortir par l'ouverture de l'arrivée du gaz. Vérifiez si les orifices du brûleur et les orifices des soupapes sont obstrués. Les orifices des brûleurs peuvent s'obstruer au fil du temps en raison des débris et de la corrosion; utilisez un trombone déplié pour les nettoyer. Les orifices sont plus faciles à nettoyer si le brûleur est retiré de l'appareil, mais le nettoyage peut aussi être fait même si le brûleur est en place.

**ATTENTION!** Prenez soin de ne pas agrandir les trous.

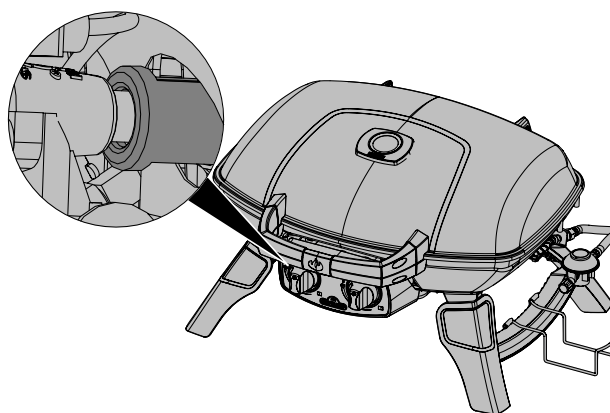
Assurez-vous que le grillage contre les insectes est propre, serré et exempt de fibres ou autres débris.

**Réinstallation :** Inversez la procédure pour réinstaller le brûleur. Lors de l'installation, vérifiez si la soupape entre dans le brûleur. Réinstallez le support du pont d'allumage et serrez les vis pour compléter l'installation.





**AVERTISSEMENT!** Lors de la réinstallation du brûleur après le nettoyage, il est très important que la soupape / l'orifice entre dans le brûleur avant que vous allumiez votre gril à gaz. Si la soupape n'est pas à l'intérieur du brûleur, un feu ou une explosion pourrait survenir.



**AVERTISSEMENT!** Boyau: Vérifiez l'usure, coupures, craquelures ou s'il est fondu. Si vous découvrez une de ces déficiences, n'utilisez pas votre gril. Faites remplacer la pièce par votre détaillant NAPOLEON ou par un installateur qualifié.

# Guide De Dépannage

Problème	Causes possibles	Solutions
Faible chaleur/petite flamme lorsque le bouton de contrôle est à "high".	Le débit du gaz est bloqué.  Mauvais préchauffage.  La bonbonne ne suffit pas à la demande..	Vérifiez pour des toiles d'araignée à l'intérieur du brûleur ou de l'orifice.  Préchauffez le gril en allumant le brûleur à "high" pendant 5 à 10 minutes  Après de longues périodes de cuisson ou lorsque la bonbonne est presque vide ou que la température extérieure est basse, les bonbonnes de 1 lb n'ont pas suffisamment de vaporisation pour permettre au propane liquide de se transformer en gaz. Installez une nouvelle bonbonne de 1 lb.
Poussées de flamme excessives/chaleur inégale.	Mauvais préchauffage  Accumulation excessive de graisse et de cendres sur le dans le tiroir d'égouttement.	Préchauffez le gril en allumant le brûleur à "high" pendant 5 à 10 minutes.  Nettoyez le tiroir d'égouttement régulièrement. Ne tapissez pas le tiroir d'égouttement avec du papier d'aluminium. Consultez les instructions de nettoyage.
Les flammes produites par les brûleurs sont jaunes et vous détectez une odeur de gaz.	Possibilité de toiles d'araignée ou autres débris, ou d'un mauvais ajustement du volet d'air.	Retirez le brûleur et nettoyez-le complètement. Consultez les instructions d'entretien. Ouvrez légèrement le volet d'air tout en vous conformant aux instructions de réglage du volet d'air. (ceci doit être effectué par un installateur de gaz qualifié)
Les flammes se détachent du brûleur, accompagnées d'une odeur de gaz et possiblement une difficulté d'allumage.	Mauvais ajustement du volet d'air.	Fermez légèrement le volet d'air tout en vous conformant aux instructions de réglage du volet d'air. (ceci doit être effectué par un installateur de gaz qualifié)
Le brûleur ne s'allume pas avec l'allumeur mais s'allume avec une allumette.	Le fil de l'électrode est endommagé.  Le fil de l'électrode est relâché.  L'électrode est craquée ou brisée.	Remplacez le fil.  Assurez-vous que le fil de l'électrode soit poussé bien au fond et soit bien serré sur le terminal derrière l'allumeur.  Remplacez l'électrode.
Le régulateur murmure lorsque l'appareil fonctionne.	Problème normal par temps chaud.	Ceci n'est pas un défaut. Le murmure est causé par une vibration à l'intérieur du régulateur et n'affecte en rien la performance et la sécurité du gril à gaz. Les régulateurs émettant un murmure ne seront pas remplacés.
La peinture semble peler à l'intérieur du couvercle ou de la hotte.	Accumulation de graisse sur les surfaces internes.	Ceci n'est pas un défaut. Le pelage est causé par la graisse qui durcit et sèche comme des éclats de peinture qui pèlent. Un nettoyage régulier préviendra ce problème. Consultez les instructions de nettoyage.
Le contrôle est réglé à "high" mais la chaleur générée par le brûleur est trop basse. (Grondement et flamme bleue irrégulière à la surface du brûleur.) Modèle infrarouge seulement.	Manque de gaz.  Le tuyau d'alimentation en gaz est pincé.  L'injecteur du brûleur est sale ou obstrué.  Présence de toiles d'araignée ou autres débris dans le tube du venturi.	Vérifiez le niveau de propane dans la bonbonne.  Remplacez le tuyau d'alimentation convenablement.  Nettoyez l'injecteur du brûleur.  Nettoyez le tube du venturi.

**GARDEZ VOTRE REÇU COMME PREUVE D'ACHAT POUR VALIDER VOTRE**

# Commande De Pièces De Rechange

## Information Sur La Garantie

MODÈLE: \_\_\_\_\_

DATE D'ACHAT: \_\_\_\_\_

NUMÉRO DE SÉRIE: \_\_\_\_\_

### ***(Inscrivez l'information ici pour y avoir accès facilement.)***

Avant de contacter le département du service aux consommateurs, consultez le site Web de Napoleon Grills pour obtenir plus d'instructions sur le nettoyage, l'entretien, le dépannage et le remplacement des pièces à [www.napoleongrills.com](http://www.napoleongrills.com). Contactez le fabricant directement pour obtenir des pièces de rechange et faire des réclamations au titre de la garantie. Le département du service aux consommateurs est à votre disposition entre 9 h et 17 h (heure normale de l'Est) au 1-866-820-8686 ou e-mail [grills@napoleonproducts.com](mailto:grills@napoleonproducts.com). Pour qu'une réclamation soit traitée, l'information suivante est nécessaire :

1. Modèle et numéro de série de l'appareil.
2. Numéro de la pièce et description.
3. Description concise du problème (« brisé » n'est pas suffisant).
4. Preuve d'achat (copie de la facture).

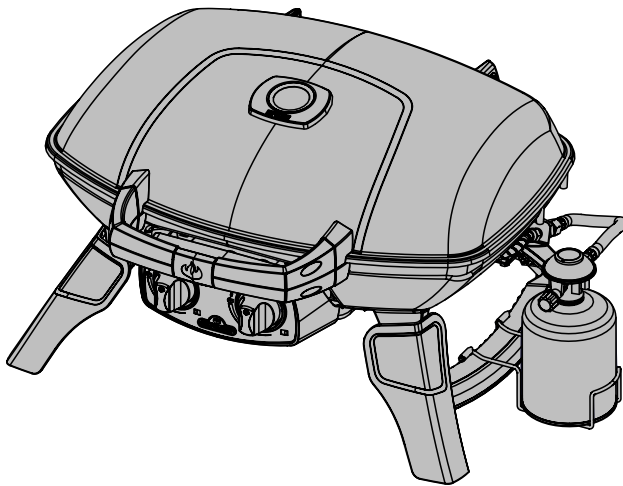
Dans certains cas, le département du service aux consommateurs peut demander de retourner la pièce pour des fins d'inspection avant de fournir une pièce de rechange. Les pièces doivent être expédiées port payé à l'attention du département du service aux consommateurs avec l'information suivante :

1. Modèle et numéro de série de l'appareil.
2. Description concise du problème (« brisé » n'est pas suffisant).
3. Preuve d'achat (copie de la facture).
4. Numéro d'autorisation de retour - fourni par le représentant du département du service aux consommateurs.

Avant de contacter le service aux consommateurs, veuillez prendre note que les items suivants ne sont pas couverts par la garantie :

- coûts de transport, de courtage et frais d'exportation;
- coûts de main-d'oeuvre pour l'enlèvement et l'installation de la pièce;
- coûts des appels de service pour diagnostiquer le problème;
- décoloration des pièces en acier inoxydable;
- bris des pièces causé par un manque d'entretien et de nettoyage, ou par l'utilisation de nettoyeurs inappropriés (nettoyant à fourneau ou autres produits chimiques agressifs).

Deze gasbarbecue mag alleen buiten op een goed verluchte plek worden gebruikt.  
Gebruik hem nooit in een gebouw, garage of een andere gesloten ruimte.



**TQ285**

NL



### **GEVAAR**

#### **INDIEN U GAS RUIKT:**

- Sluit de gastoevoer naar het apparaat af.
- Doof open vlammen.
- Open het deksel.
- Blijf uit de buurt van het apparaat indien u gas blijft ruiken en neem onmiddellijk contact op met het gasbedrijf of de brandweer.



### **WAARSCHUWING**

Steek dit apparaat niet aan voordat u de instructies van het hoofdstuk **AANSTEKEN** in deze handleiding hebt gelezen.

Sla geen benzine of andere ontvlambare vloeistoffen of dampen op of gebruik deze niet in de buurt van dit of enig ander apparaat. Een niet-gebruikte, losgekoppelde gasfles mag niet in de buurt van dit of enig ander apparaat worden opgeslagen. Indien deze aanwijzingen niet precies worden opgevolgd, kan dat brand-of explosiegevaar meebrengen en materiële schade, persoonlijk letsel of de dood veroorzaken.

**Bewaar deze handleiding als referentie**



N415-0289CE-W MAR 27.18

Wolf Steel Europe BV  
Poppenbouwing 29-31, 4191 NZ Geldermalsen,  
CCI No. 51509970, THE NETHERLANDS  
[info@napoleongrills.nl](mailto:info@napoleongrills.nl)

[www.napoleongrills.com](http://www.napoleongrills.com)

# 10 jaar beperkte Napoleon President's Garantie

NAPOLEON producten worden gemaakt van onderdelen en materialen van hoge kwaliteit en worden gemonteerd door goed opgeleide vakmensen die erg trots zijn op hun werk. Deze grill is voor het inpakken en verzenden grondig geïnspecteerd door een gekwalificeerd technicus om te garanderen dat u als klant het kwaliteitsproduct ontvangt dat u van NAPOLEON mag verwachten.



NAPOLEON garandeert dat componenten van uw nieuwe NAPOLEON-product volledig vrij zullen zijn van gebreken inzake materialen en vakmanschap vanaf de aankoopdatum voor de onderstaande periode:

Aluminium gietvormen / roestvrijstalen basis.....	<b>10 jaar</b>
Roestvrijstalen deksel .....	<b>10 jaar</b>
Porseleinen gebrandverfde deksel .....	<b>10 jaar</b>
Geverfd stalen deksel.....	<b>5 jaar volledige dekking, plus 50% korting tot het 10<sup>de</sup> jaar</b>
Roestvrijstalen buisbranders .....	<b>5 jaar volledige dekking, plus 50% korting tot het 10<sup>de</sup> jaar</b>
Met porselein geëmailleerde gietijzeren grillroosters.....	<b>5 jaar volledige dekking, plus 50% korting tot het 10<sup>de</sup> jaar</b>
Roestvrijstalen of porseleinen schroeiplates .....	<b>3 jaar volledige dekking, plus 50% korting tot het 10<sup>de</sup> jaar</b>
Alle overige onderdelen.....	<b>2 jaar</b>

## Voorwaarden en beperkingen

Deze Beperkte Garantie geeft een garantieperiode voor ieder product dat bij een geautoriseerde NAPOLEON-dealer is gekocht zoals gespecificeerd in de eerder genoemde tabel en geeft de oorspronkelijke koper recht op de gespecificeerde dekking met betrekking tot ieder component dat binnen de garantie vervangen is, hetzij door NAPOLEON, hetzij door een geautoriseerde NAPOLEON-dealer, om een component te vervangen van een dergelijk product dat kapot gegaan is tijdens normaal huishoudelijk gebruik als een gevolg van een productiefout.

De "50% korting" genoemd in de tabel betekent dat het component beschikbaar is voor de koper voor 50% van de reguliere verkoopprijs van het component in de aangegeven periode. Deze Beperkte Garantie dekt geen accessoires of merchandise.

Ter verduidelijking: "normaal huishoudelijk gebruik van een product" betekent dat het product: geïnstalleerd is door een bevoegde monteur, in overeenstemming met de installatie-instructies die bij het product zijn inbegrepen en met de lokale bouw- en brandverordeningen; goed onderhouden is; en is niet gebruikt als gemeenschapsvoorziening of in een commerciële toepassing.

Daarnaast betekent "storing" niet: oververhitting, uitvallen vanwege omgevingsomstandigheden, zoals sterke wind of inadequate ventilatie, krassen, deuken, corrosie, slijtage van verf en platen, verkleuring door hitte, schurende of chemische schoonmaakmiddelen of blootstelling aan UV, afsplinteren van porseleinen, gebrandverfde onderdelen, of schade veroorzaakt door foutief gebruik, ongeval, hagel, brandend vet, gebrekkig onderhoud, blootstelling aan bijtende middelen zoals zout of chloor, aanpassingen, misbruik, verwaarlozing, of het installeren van onderdelen van andere fabrikanten.

Mochten onderdelen dermate verslechteren dat ze niet meer functioneren (doorgeroest of doorgebrand) binnen het tijdsbestek van de garantiedekking, dan zal een vervangend onderdeel geleverd worden.

Het vervangende onderdeel is de volledige verantwoordelijkheid van NAPOLEON zoals gedefinieerd in deze Beperkte Garantie; in geen geval is NAPOLEON aansprakelijk voor installatiekosten, arbeidskosten-, of enige andere kosten of uitgaven die voortvloeien uit de herinstallatie van een garantie-item, voor enig incidentele, resulterende of indirecte schade of voor eventuele transportkosten, arbeidskosten of exporttarieven.

Deze Beperkte Garantie bestaat naast mogelijke rechten voortvloeiend uit lokale wetgeving. Daarnaast verplicht deze Beperkte Garantie NAPOLEON niet tot het in voorraad houden van reserve-onderdelen. NAPOLEON kan, naar eigen goeddunken en gebaseerd op de verkrijgbaarheid van onderdelen, volledig aan haar verplichtingen voldoen door de klant een evenredig krediet te verlenen voor een nieuw product. Na het eerste jaar kan NAPOLEON, met het oog op deze Beperkte Garantie, naar eigen goeddunken alle door deze garantie opgelegde verplichtingen volledig nakomen door de originele koper de groothandelsprijs van alle defecte onderdelen met een geldige garantie terug te betalen.

Wanneer u een beroep doet op de garantie van NAPOLEON, heeft u de verkoopfactuur of een kopie daarvan nodig, samen met een serienummer en het modelnummer. NAPOLEON behoudt het recht om een vertegenwoordiger ieder product of onderdeel te laten inspecteren alvorens een garantieclaim te honoreren. U moet contact opnemen met de klantenservice van NAPOLEON of een geautoriseerde NAPOLEON-dealer om de voordelen van de garantiedekking te verkrijgen.



napoleongrills.com

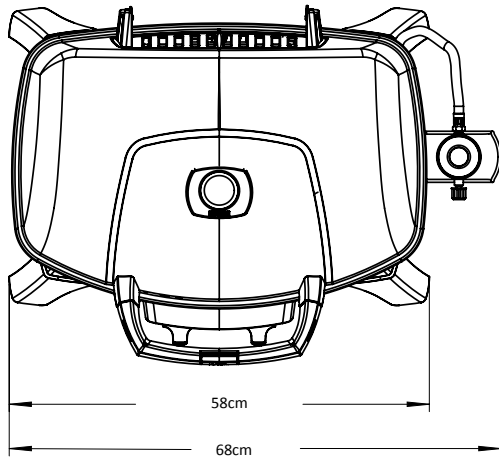


**WAARSCHUWING!** Indien deze aanwijzingen niet precies worden opgevolgd, kan dat brand- of explosiegevaar met zich meebrengen en materiële schade, persoonlijk of dodelijk letsel veroorzaken.

## Veiligheidsvoorschriften

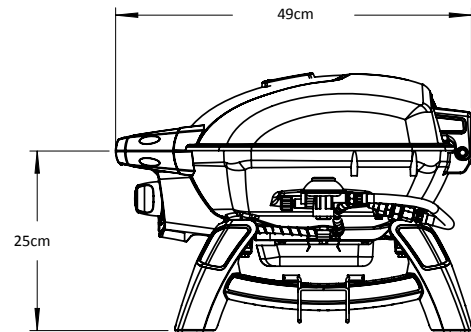
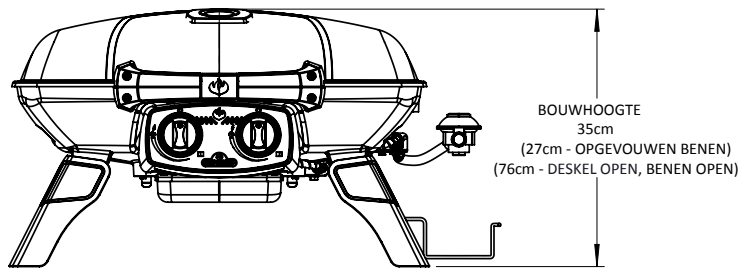
- Deze gasgrill moet precies volgens de instructies in de handleiding worden geassembleerd. Wanneer de grill in de winkel geassembleerd was, moet u de assemblage-instructies herzien om correcte assemblage te bevestigen en de vereiste testen op lekkage uit te voeren alvorens de grill in gebruik te nemen.
- Lees de volledige handleiding alvorens de gasgrill in gebruik te nemen.
- Deze gasgrill mag alleen in de openlucht in een goed-geventileerde ruimte worden gebruikt en moet niet in een gebouw, garage, afgeschermd veranda, gazebo of een ander ingesloten gebied worden gebruikt.
- Deze gasgrill is alleen ontworpen voor propaan, butaan of een propaan/butaan mengsel.
- Gebruik niet in winderige omstandigheden. Sterke wind beïnvloedt de kookprestaties van de gasgrill in een negatieve manier.
- In geen geval mag er iets worden gewijzigd in de constructie van deze gasgrill. Onderdelen verzegeld door de fabrikant, een vergunning erkende reparateur, of aannemer mogen niet worden gemanipuleerd door de gebruiker.
- Gebruik deze eenheid niet onder een brandbare bedekking.
- Zorg voor voldoende afstand van brandbare materialen: 18" (457mm) van de achterkant, 18" (457mm) van de zijkanten van de eenheid. Extra afstand wordt geadviseerd bij gebruik nabij vinyl of ruiten van glas.
- De gastoevoerslang moet worden geïnstalleerd zodat het geen contact maakt met hete oppervlakten van de grill terwijl deze in gebruik is of klaar voor opslag is.
- De gas cilinder moet worden ontkoppelt wanneer de gasgrill niet in gebruik is.
- Wanneer de gas cilinder op het toestel is aangesloten, moeten de gasgrill en de cilinder in de openlucht in een goed-geventileerde ruimte worden opgeslagen.
- Wanneer de gasgrill binnen moet worden opgeslagen, moet de aansluiting tussen de propaanpatroon en de gasgrill worden ontkoppelt en de cilinder verwijderd en opgeslagen in de openlucht in een goed geventileerde ruimte uit bereik van kinderen. Ontkoppelde cilinders moeten niet in een gebouw, garage of een ander ingesloten gebied worden opgeslagen.
- Inspecteer de gastoevoerslang vóór elk gebruik. Als er bewijsmateriaal van bovenmatige schuring of slijtage is of de slangen snee heeft, moet het, voorafgaand aan het gebruiken van de gasgrill, met een nieuwe slang worden vervangen die door de grillfabrikant wordt gespecificeerd.
- Sla nooit een extra cilinder onder of dichtbij deze grill op.
- Leid de slang niet onder de lekbak - handhaaf de juiste afstand van de onderkant van de eenheid.
- Test de eenheid op lekkage vóór gebruik, jaarlijks en wanneer om gasonderdelen worden vervangen.
- Volg de aansteekinstructies zorgvuldig wanneer u de grill gebruikt.
- Steek de branders niet aan wanneer de deksel gesloten is.
- Volwassenen en vooral kinderen moeten op de hoogte zijn van de gevaren van hoge oppervlaktetemperaturen. Jonge kinderen in de buurt van de gasgrill moeten onder toezicht zijn.
- Laat de grill niet onbeheerd achter tijdens gebruik.
- Beweeg de grill niet wanneer deze heet of in gebruik is.
- Houd alle elektrische snoeren en de gastoevoerslang weg van hete oppervlakten.
- Maak zeker dat de schroeiplateau juist gepositioneerd is.
- Maak de vetschaal en schroeiplateau regelmatig schoon om vetopbouw te vermijden, wat tot vetbranden kan leiden.
- Gebruik geen water, bier, of een andere vloeistoffen om opflakkingen te voorkomen.
- Gebruik een hogedrukreiniger om de onderdeel van de eenheid schoon te maken.
- Deze gasgrill is niet ontworpen voor commercieel gebruik.
- Deze gasgrill is niet bedoelt voor en mag nooit als verwarming worden gebruikt.

# AFMETINGEN



TQ285 GRILL  
 GRILLROOSTERS: 37 cm X 54 cm (onregelmatig) = 1840 cm<sup>2</sup>  
 AFMETINGEN BENADEREND

NL





## Hanteer zorgvuldig



**LET OP!** Wees voorzichtig tijdens gebruik of transport van uw grill om schade en foutieve uitlijning van interne componenten te voorkomen. Hoewel deze grill met mobiliteit in gedachten is ontworpen, zal ruwe behandeling of misbruik in schade aan interne componenten resulteren, wat kan voorkomen dat uw grill verhindert naar behoren werkt.



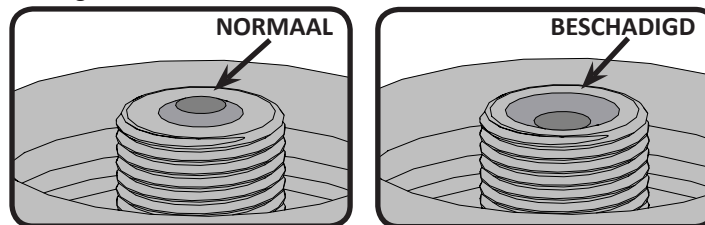
### Correcte verwijdering van dit product

Deze aanduiding geeft aan dat dit product in de gehele EU niet bij het overige huishoudelijke afval mag worden gezet. Recycle het verantwoord ter bevordering van duurzaam hergebruik van grondstoffen en ter voorkoming van mogelijke schade aan het milieu en de volksgezondheid t.g.v. ongecontroleerde dumping. Gebruik a.u.b. het teruggave- en verzamelsysteem, of neem contact op met de winkel waar u het product heeft gekocht. Daar kan men dit product op een milieuvriendelijke manier recyclen.

## Gas Cilinder

Gebruik alleen cilinders die aan nationale en regionale voorschriften voldoen. Gebruik propaan voor een optimaal resultaat. Wegwerpcilinders moeten in overeenstemming zijn met de normen van EN417 en moeten een lindaksel sluitend ventiel hebben. De cilinders moeten een brandstofcapaciteit hebben van tussen 430g en 460g. De cilinders moeten met propaan of een propaan/butaanmengsel zijn gevuld.

- Controleer de rubberen O-ring op de regelgever. Als er schade is, vervang dan de regelgever.
- Sluit nooit een cilinder aan die niet aan de lokale voorschriften voldoet.
- Wegwerpcilinders moeten altijd aan de zijkant van de grill rechtop worden bevestigd met gebruik van de geleverde beugel.
- Sla nooit een extra cilinder in de nabijheid van een toestel in gebruik op. De cilinders mogen niet aan extreme hitte of direct zonlicht worden blootgesteld.
- Draai de cilinder nooit te strak aan, het te strak aandraaien kan schade aan de regelgeversverbinding of de cilinderverbinding veroorzaken. Dit kan een lek veroorzaken of de stroom naar het apparaat beperken.

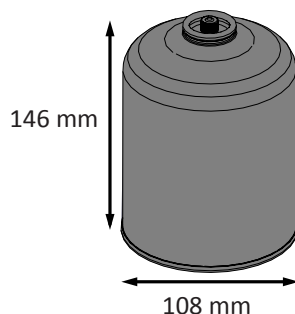


**WAARSCHUWING!** De stofkap moet op zijn plaats zijn wanneer de cilinder niet in gebruik is om te verhinderen dat vuil en rotzooi in het ventiel komen.

**WAARSCHUWING!** Lees de instructies op de cilinder voor gebruik. Een gedeukte cilinder of een cilinder met roest kan gevaarlijk zijn. Gooi de cilinder weg als u roestdeeltjes of rotzooi in het verbingsgebied van de cilinder ziet.

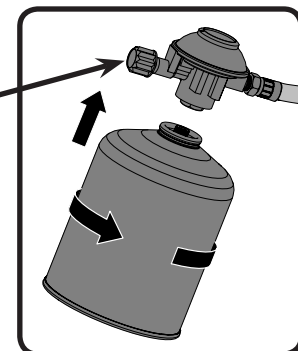
**Verbinding van de cilinder:** Maak zeker dat de slang van de gasregelgever niet geknikt is. De cilinder heeft een positieve plaatsingsverbinding, zodat er geen gas zal stromen totdat er een positieve verbinding is. Verwijder de kap of plug uit de cilinder. Om de cilinder te installeren draai het simpelweg met de klok mee in de regelgever. Draai slechts met de hand aan, gebruik nooit gereedschap.

Test alle verbindingen op lekkage voor gebruik van de barbecue. Een test op lekkage moet jaarlijks worden uitgevoerd, en iedere keer wanneer een cilinder wordt geïnstalleerd, of een onderdeel van het gassysteem wordt vervangen. Wegwerpcilinders moeten altijd aan de zijkant van de grill rechtop worden bevestigd met gebruik van de geleverde beugel. Dit zal voorkomen dat vloeibaar propaan/butaan de regelgever in gaat, wat brand en schade aan de regelgever kan veroorzaken.



\* Voor juist gebruik, zorg dat de knop van de regelgever is geopend.

\* AANPASSEN VAN DE REGELGEVER





### WAARSCHUWING!

- Routeer geen slang onder de lekbak.
- Zorg dat alle verbindingen worden aangedraaid door twee moersleutels te gebruiken. Gebruik geen Teflonband of smeermiddel op slangverbindingen.
- Zorg dat de slang geen contact met oppervlakten met een hoge temperatuur heeft, of deze kan smelten en lekken wat een brand kan veroorzaken.

## Gas slang

- Indien de slang en de regelaar niet door de fabrikant worden meegeleverd, dan mogen alleen goedgekeurde slangen en regelaars worden gebruikt.
- Zorg ervoor dat de slang niet in contact komt met vet, ander heet braadvet of hete oppervlakten van de barbecue.
- Controleer de slang regelmatig. Indien hij gescheurd, gesmolten of versleten is, moet hij worden vervangen voordat het apparaat opnieuw wordt gebruikt.
- Hij mag niet langer dan 1,5 m zijn.
- Zorg ervoor dat er bij de installatie geen verdraaiing of kinken zijn in de slang.
- Vervang de slang vóór de vervaldatum die erop vermeld staat.

## Regelaar

In de volgende tabel vindt u invoerwaarden voor het apparaat.

Brander	Openingsgrootte		(Bruto)Warmte-Invoer (Totaal)		Gasverbruik (Totaal)	
	I	II	I	II	I	II
	#69 (0.74 mm)	#73 (0.61 mm)	4.1kW	4.1kW	301 g/hr	301 g/hr

Gecertificeerde gassen / drukwaarden – Controleer of de kenplaat overeenkomt met de volgende lijst.

Gassoort	I 3B/P(30)	I 3+(28-30/37)	I 3B/P(50)
Openingsgrootten (zie hierboven)	I	I	II
Gassen / drukwaarden	Butaan en Propaan op 30mbar	Butaan 28-30mbar Propaan 37mbar	Butaan en Propaan op 50mbar
Landen	BE, BG, CY, DK, EE, FI, FR, GB, HR, HU, IS, IT, LT, LU, MT, NL, NO, RO, SE, SI, SK, TR	BE, CH, CY, CZ, ES, FR, GB, GR, IE, IT, LT, LU, LV, PT, SK, SI	AT, CH, DE, SK

Knoei niet met de regulator en breng geen veranderingen aan. Gebruik alleen regulators die druk leveren zoals aangegeven in de bovenstaande table. Vervang alleen met een door de fabrikant voorgeschreven regulator.

## Gebruik vrijstaand op tafel

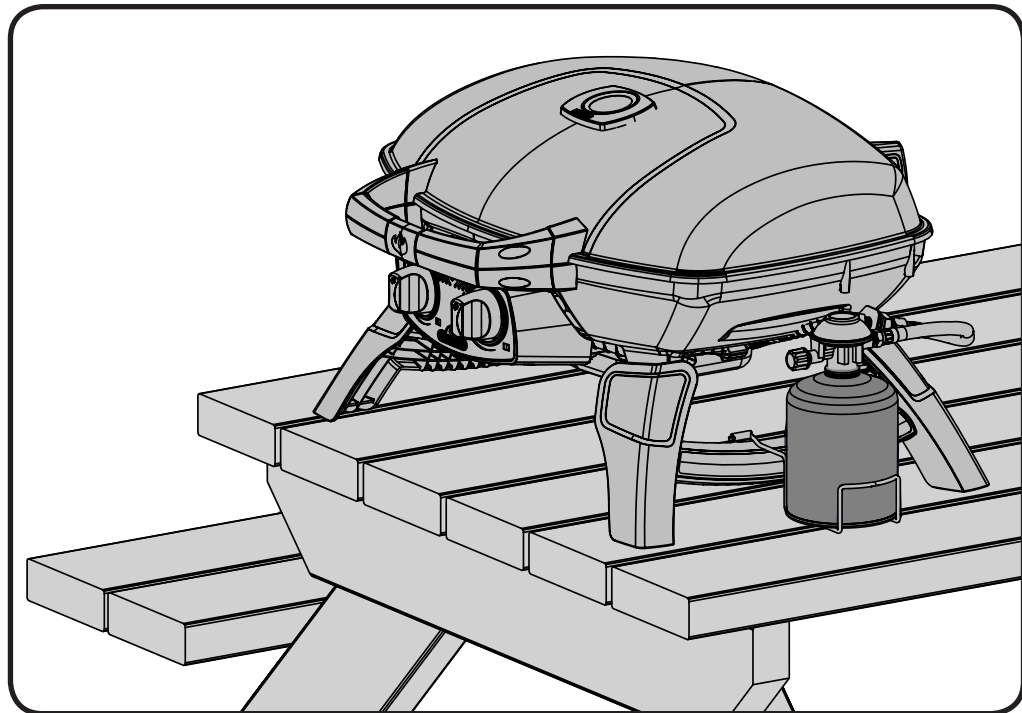
De TQ285/PRO285 is ontworpen met mobiliteit als oogmerk. Met zijn inklapbare poten kan de TQ285/PRO285 op de meeste tafels worden geplaatst. De poten zijn uitklapbaar en vergrendelen zich in positie, ze klappen weer terug en vergrendelen zich als u onderweg gaat.



**WAARSCHUWING!** De poten die zich aan weers zijde van de grill bevinden moeten uitgeklaapt zijn tijdens gebruik.



**WAARSCHUWING!** Gebruik de grill niet op plastic, kunsthars of glazen tafel bladen.



NL

## Instructies I.V.M. Lectest



**WAARSCHUWING!** Test het apparaat op lekkage vóór het eerste gebruik, jaarlijks en na vervanging of onderhoud van gasonderdelen.



**WAARSCHUWING!** Niet Op Lekkage Met Behulp Van Een Vuurtje. Rook niet tijdens deze test en verwijder alle ontstekingsbronnen.



**LEKTEST:** Test het apparaat op lekkage vóór het eerste gebruik, jaarlijks en na vervanging of onderhoud van gasonderdelen. Rook niet tijdens deze test en verwijder alle ontstekingsbronnen. Zie het schema in verband met lektests voor de te controleren gedeelten.

Schakel alle branderknoppen uit. Draai de gastoevoerkraan open.



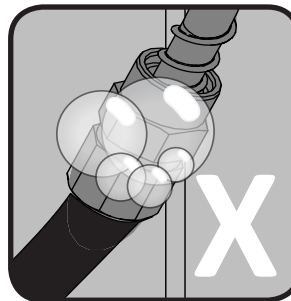
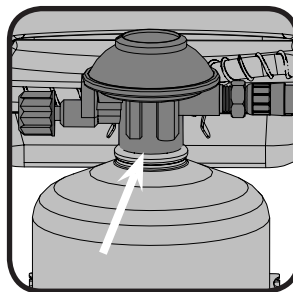
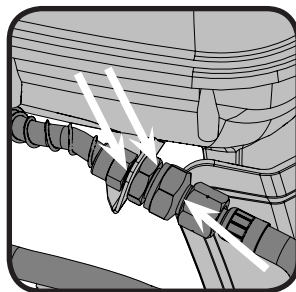
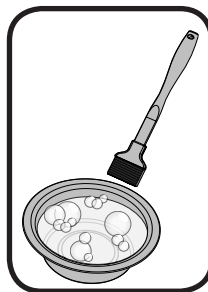
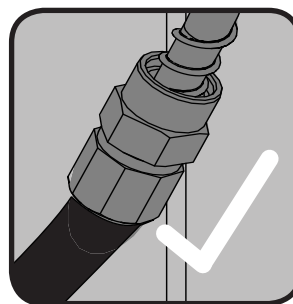
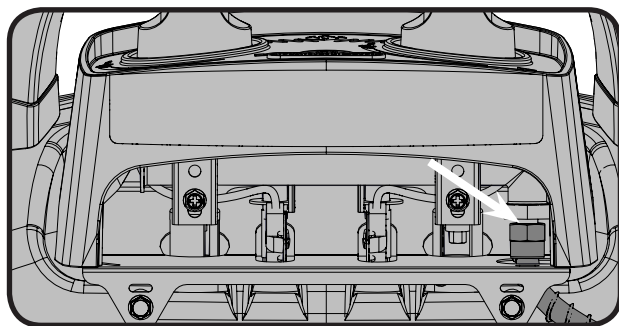
Breng met een borsteltje op alle verbindingen en aansluitingen van de regelaar, slang, verdeelstukken en kranen een oplossing van vloeibare zeep en water aan.

Luchtballen wijzen op een gaslek. Draai het losse onderdeel vast of vervang het door een door de handelaar aanbevolen stuk.

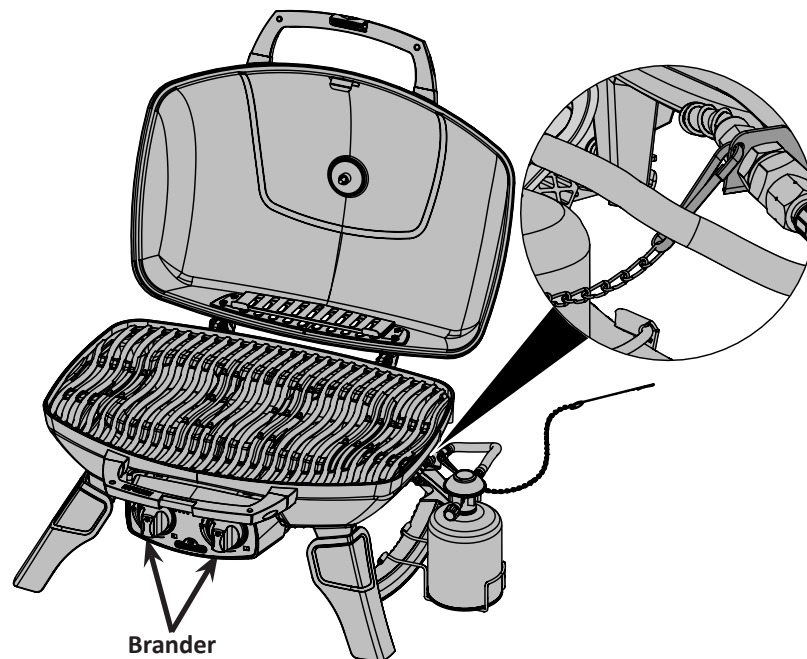


Als het lek niet kan worden gedicht, **sluit dan de gastoevoer af**, koppel deze af en laat de barbecue controleren door het gasbedrijf of de handelaar. Gebruik het apparaat slechts nadat het lek werd gedicht.

Sluit de gastoevoer af.



# Instructies voor het aansteken



**WAARSCHUWING!** Deksel openen

**WAARSCHUWING!** Controleer of alle branders in de UIT positie staan. Sluit een passende gas cilinder aan

## Hoofd brander aansteken

1. Open grill deksel

2. Druk en draai de hoofdbrander knop langzaam naar de 'HI' positie. Deze handeling zal de gekozen brander doen ontsteken.

3. Als de brander niet ontsteekt draai dan de knop onmiddellijk weer in de 'OFF' positie en herhaal handeling 2 tot de brander wel ontsteekt.

4. Als de brander binnen 5 seconden niet brandt, draai dan de knop in de 'OFF' positie en wacht 5 minuten tot het overtollig gas is verdwenen, herhaal dan stappen 2 en 3 of ontsteek de brander met een lucifer.

5. Als de grill met een Lucifer wordt aangestoken klem dan de lucifer in de meegeleverde 'aansteek klem'. Steek de ingeklemde lucifer door het rooster terwijl u de gasregelaar opendraait.



## Kookinstructies



**WAARSCHUWING!** Gebruik deze grill niet onder uitgetrokken luifels. Het niet volgen van deze instructies kan in brand of lichamelijk letsel resulteren.



**GEVAAR!** Sla deze grill niet direct na gebruik op. Laat de grill afkoelen zodat u de grill kan aanraken voor deze te slaan of te bewegen. Het nalaten om dit te doen kan in een brand resulteren wat bezitsschade, lichamelijk letsel of dood kan veroorzaken.

**Eerste vuren:** Wanneer de gasbarbecue voor het eerst wordt aangestoken, zult u een geur ruiken. Dat is normaal en is maar heel tijdelijk. Het gaat om het "inbranden" van verf en smeermiddelen binnenin die werden gebruikt tijdens de productie. Dit gebeurt maar één keer. Laat de hoofdbranders ongeveer een half uur lang op de hoogste stand aan staan.

**Gebruik van de hoofdbrander:** Wanneer u voedsel schroeit, adviseren wij voorverwarming van de grill door alle hoofdbranders op de positie "HIGH" met de deksel dicht in werking te stellen voor ongeveer 10 minuten. Het voedsel dat voor korte tijd (vissen, groenten) wordt gegrild kan met open deksel worden geroosterd. Het koken met het gesloten deksel zorgt voor hogere, meer even temperaturen wat de kooktijd kan verminderen en vlees meer gelijk kookt. Het voedsel dat een kooktijd heeft van langer dan 30 minuten, zoals braadvlees, kan (met de brander tegengesteld aan de voedselplaatsing aangestoken) indirect worden gekookt. Wanneer het koken van zeer mager vlees, zoals kippenborst of mager varkensvlees, kunnen de roosters ingesmeerd worden met olie voor het voorverwarmen om de kans op aanbakken te verminderen. Het koken van vlees met een hoog vetgehalte kan tot opflakkingen leiden. Trim het vet in orde of verminder de temperatuur om dit te verhinderen. Indien u opflakkingen waarneemt, neem het voedsel van de vlammen en de verminder de temperatuur. Laat de deksel open. Zie Uw "All season grill" kookboek van Napoleon voor meer gedetailleerde instructies.

NL

## Reinigings Instructies



**WAARSCHUWING!** Monteren werkhandschoenen en een veiligheidsbril te dragen wanneer het schoonmaken.



**WAARSCHUWING!** Sluit de gastoevoer af aan de bron en schakel het apparaat uit voor iedere onderhoudsbeurt. Onderhoud mag alleen worden uitgevoerd wanneer de barbecue is afgekoeld, om mogelijke brandwonden te voorkomen. Barbecuesaus en zout kunnen corrosief zijn en tasten de onderdelen van de barbecue snel aan als deze niet regelmatig worden schoongemaakt.



**Nota:** roestvrijstaal heeft de neiging om te roesten in de aanwezigheid van chloriden en sulfiden, in het bijzonder in kustgebieden en andere ruwe gebieden zoals de warme, hoogvochtige atmosfeer rond zwembaden en bubbelbaden. Deze vlekken lijken op roest, maar kunnen makkelijk worden verwijderd en voorkomen. Om zeker te zijn van roestbestrijding, dient u alle roestvrijstalen oppervlakken elke 3-4 weken of zo vaak als nodig is met zoet water en roestvrijstaalreiniger te wassen.

**Gietijzeren roosters:** De gietijzeren roosters van uw nieuwe grill bieden u superieure warmteopname en geleiding. Door uw roosters regelmatig in te vetten brengt u een beschermende coating aan, die helpt het rooster meer roestbestendig te maken en die de anti aanbak eigenschappen van het rooster verbetert.

**Bij ingebruikname:** Was de roosters met de hand met een milde zeep en water om eventueel residu van het productie proces te verwijderen. (was nooit in een vaatwasser) spoel roosters grondig af met heet water en droog ze compleet af met een zachte doek. Dit is belangrijk zodat er geen vochtigheid in het gietijzer binnendringt.

**Invetten:** gebruik een zachte doek, en verdeel een plantaardige olie over het gehele rooster oppervlak en zorg dat alle hoeken en groeven goed ingevet zijn. Gebruik geen gezouten vetten boter of margarine. Verwarm uw grill 15 minuten voor, plaats vervolgens de ingevette roosters in de grill. Draai de regelaars naar medium en sluit het deksel. Laat uw roosters gedurende een half uur verwarmen. Zet alle branders in de 'OFF' positie en draai het gas bij de bron dicht. Lat de roosters afkoelen. Deze procedure dient u gedurende het seizoen een aantal malen te herhalen, alhoewel dit niet noodzakelijk is bij dagelijks gebruik. ( Volg onderstaande instructie bij dagelijks gebruik.)

**Dagelijks gebruik:** Alvorens uw grill voor te verwarmen en te reinigen met een messing draadborstel, vet u de bovenzijde van het rooster in met plantaardige olie. Verwarm uw grill voor en borstel overtollig residu weg met en messing draadborstel.

**De binnenkant van de grill reinigen:** Verwijder de roosters. Gebruik een messing draadborstel om vervuiling te verwijderen van de gegoten zij delen en de binnenkant van de deksel. Borstel alle vervuiling van de binnenkant van uw grill in de uitneembare vet lade.

**Vet opvang schaal:** Opeengehoopte vetten zijn brandgevaarlijk. Reinig de vet opvang schaal regelmatig om te voorkomen dat vet zich ophoopt. Vet en uittredende sappen komen terecht in de vet opvang schaal, die zich onder de branders bevindt, en hopen zich daar op. Om deze te reinigen schuift u de vet opvang schaal uit de grill. Bekleed de vet opvang schaal nooit met aluminium folie, zand of enig ander materiaal omdat dit de goede doorstroming van vet zou kunnen belemmeren. De schaal dient te worden uitgeschraapt met een plamuurmes of een schraper.



**LET OP!** Verzekert u dat de schaal leeg en schoon is alvorens deze in verticale positie te transporteren.

**Reiniging van de buitenkant van de grill:** Reinig geveerde, geëmailleerde of roestvrijstalen onderdelen niet met schurende schoonmaakmiddelen. Geëmailleerde onderdelen dienen extra voorzichtig te worden gehanteerd. Het email kan barsten als je er op slaat. Om het email te repareren kunt u evt. email-touch-up gebruiken. De buitenkant van de barbecue moet met lauw zeepwater worden schoongemaakt. Reinig de roestvrijstalen delen met een schoonmaakmiddel voor roestvrij staal of met een niet-schurend product. Veeg altijd met de draad mee. Staalwol maakt krassen in de afwerking en mag niet worden gebruikt. Roestvrijstalen onderdelen verkleuren (ze worden goudkleurig of bruin) bij gebruik. Dat is normaal en beïnvloedt de werking van de grill niet.

NL

## Onderhouds Instructies

Wij adviseren dat deze gas grill jaarlijks grondig geïnspecteerd en onderhouden wordt door een gekwalificeerd vakman.

Houd te allen tijde het gebied rond de gas grill vrij van brandbare materialen, benzine en andere brandbare dampen en vloeistoffen. Belemmer de stroom van ventilatie en verbrandingslucht niet.



**WAARSCHUWING!** Monteren werkhandschoenen en een veiligheidsbril te dragen wanneer het schoonmaken.

**WAARSCHUWING!** Sluit de gastoevoer af aan de bron en schakel het apparaat uit voor iedere onderhoudsbeurt. Onderhoud mag alleen worden uitgevoerd wanneer de barbecue is afgekoeld, om mogelijke brandwonden te voorkomen. Een lektest moet jaarlijks en telkens als een gasonderdeel werd vervangen, worden uitgevoerd.

**Brander:** De brander is vervaardigd uit dikwandig 304 r.v.s., maar extreme hitte en een corrosieve omgeving kunnen tot oppervlakte corrosie leiden. Dit kan worden verwijderd met een messing draad borstel.

**LET OP!** Wees behoedzaam voor spinnen.



Spinnen en insecten worden aangetrokken door de geur van propaan, en aardgas. De brander is uitgerust met een insecten rooster op de lucht inlaat regelaar, deze reduceert de waarschijnlijkheid dat insecten nesten in de brander bouwen maar kan het probleem niet volledig uitsluiten. Een nest of een web kan een brander met een zacht gele of oranje vlam doen branden of een een brand veroorzaken bij de lucht inlaat onder het bedieningspaneel. Om de brander van binnen te reinigen dient deze uit de grill verwijderd te worden. Verwijder schroeven waarmee de brander aan de kruisvuur beugel en aan het chassis van de grill is bevestigd. Beweeg de brander naar achteren en omhoog om hem te verwijderen.

**Reinigen:** Gebruik een flexibele 'venturi' (gasbuis) reinigingsborstel om de binnenkant van de brander te reinigen. Schud los gekomen de brander uit door de gasinlaat opening. Controleer de brander openingen en de sproeier op de gasregelaar op blokkades. Brander openingen kunnen dicht gaan zitten in de loop der tijd door etensresten en corrosie. Gebruik een b.v. opengebogen paperclip om deze te reinigen. De brander openingen zijn eenvoudiger te reinigen als de brander gedemonteerd is maar het gaat ook gaat ook als deze nog gemonteerd is.

**LET OP!** Zorg ervoor dat u de openingen niet groter maakt.

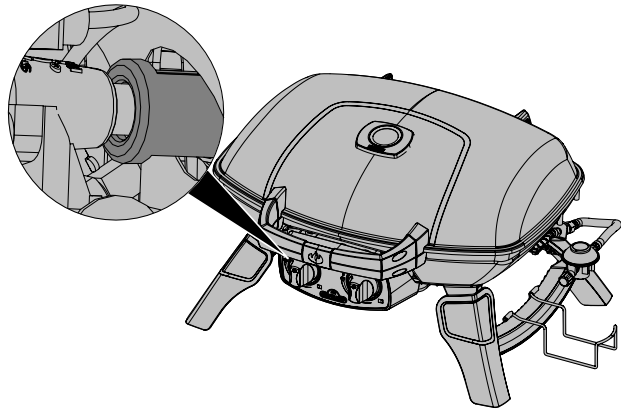
Zorg dat het insectenrooster schoon is, sluitend geplaatst zit en vrij is van verontreinigingen.

**Terug monteren:** Herhaal de demontage handelingen in omgekeerde volgorde om de brander terug te monteren. Verzekert dat de regelaar in de brander zit als u deze monteert. Herplaats de kruisvuurbeugels en draai de schroeven vast aan om de herinstallatie te voltooien.





**WAARSCHUWING!** Het is erg belangrijk dat bij het herinstalleren van de brander na het reinigen, de/het klep/ uiteinde de brander in gaat voordat u uw gasgrill aansteekt. Als de klep niet in de brander zit, kan brand- of explosiegevaar ontstaan.



NL



**WAARSCHUWING!** Slang: Controleer op afgeschaafde, gesmolten, doorgesneden en gebarsten plekken. Gebruik de gasbarbecue niet indien de slang er zo uitziet. Laat het onderdeel vervangen door uw Napoleon-handelaar in gasbarbecues of door een erkend gasinstallateur.



# Probleem oplossen

Probleem	Mogelijke oorzaak	Oplossing
Weinig warmte/ Kleine vlammen als brander op 'HIGH' staat.	Gas blokkade.  Niet goed voorverwarmd.  Gas cilinder bevroren.	Controleer brander en sproeier op spinnenwebben.  Verwarm uw grill 5 tot 10 minuten voor op de 'HIGH' stand.  Als u voor langere tijd grilt of met een bijna lege gas cilinder, of bij lage buiten temperatuur, heeft een kleine gas cilinder niet voldoende verdampings oppervlak om voldoende vloeibaar propaan in gasvorm om te zetten. Sluit een nieuwe volle gas cilinder aan.
Excessieve vlam aanwakking/ ongelijkmatige warmte verdeling.	Niet goed voorverwarmd.  Overmatige opbouw van vet en as in de vet opvang schaal.	Verwarm uw grill 5 tot 10 minuten voor op de 'HIGH' stand.  Reinig uw vet opvang schaal regelmatig, bekleed uw vet opvang schaal niet met aluminium folie. Raadpleeg uw onderhouds instructies.
Branders branden met gele vlam gepaard met een gaslucht..	Mogelijk spinnenweb of andere vervuiling, niet goed afgestelde lucht toevoer.	Brander grondig reinigen door hem te verwijderen. Se algemene onderhouds instructies. Lucht toevoer regelaar iets verder openen volgens verbrandings lucht toevoer bijstel instructies. (Dit dient door een gekwalificeerde gas installateur te geschieden.)
Vlammen bevinden zich op enige afstand van de brander gepaard met gaslucht en mogelijk problemen met het aansteken..	Niet goed afgestelde lucht toevoer regelaar.	Lucht toevoer regelaar iets verder sluiten volgens verbrandings lucht toevoer bijstel instructies. (Dit dient door een gekwalificeerde gas installateur te geschieden.)
Brander ontsteekt niet met het ontstekings mechanism maar wel met een lucifer.	Jet-fire uitgang is verontreinigd of verstopt.	Reinig Jet-fire uitgang met zachte borstel of penseel.
"Lak" lijkt los te laten van binnenkant van de deksel.	Vet opbouw aan de binnen oppervlaktes.	Dit is geef defect, Het afbladeren wordt veroorzaakt door aangebakken vet dat uitdroogt en afschilfert.
Brander vermogen is te lag ondanks dat de regelaar op 'HIGH' staat. (Rommelend geluid en sputterende blauwe vlammen aan het brander oppervlak.)	Gas is bijna op.  Gas slang is bekneld.  Vervuilde of verstopte sproeier.  Spinnenweb of ander vervuiling in de branderbuis.	Check gas nivo in de gasfles.  Herpositioneer de gas slang indien nodig.  Reinig de sproeier.  Reinig de branderbuis.
Zoemende regelaar.	Normaal op warme dagen.	Dit is geen mankement. Dit wordt veroorzaakt door de interne trillingen in de regelaar en beïnvloedt niet de werking of de veiligheid van de gasbarbecue. Zoemende regelaars worden niet vervangen.

**HOUD UW BON ALS BEWIJS VAN AANKOOP VOOR DE GELDIGHEID  
VAN UW GARANTIE**

## Bestellen Van Reserveonderdelen

### GARANTIE-INFORMATIE

MODEL: \_\_\_\_\_

AANKOOPDATUM: \_\_\_\_\_

SERIENUMMER: \_\_\_\_\_

***(schrijf hier uw gegevens voor gemakkelijke referentie)***

Voordat u contact opneemt met de klantenservice, controleer de NAC website voor uitgebreidere reiniging, onderhoud, het oplossen van problemen en de instructies voor het vervangen van onderdelen op [www.napoleongrills.com](http://www.napoleongrills.com). Neem direct contact op met de fabriek voor vervangende onderdelen of schadeclaims. De klantenservice is bereikbaar tussen 9 AM en 5 PM (Eastern Standard Time) op 1-866-820-8686. Voor het afhandelen van een schadeclaim, hebben wij de volgende gegevens nodig:

1. Model en serienummer van het apparaat.
2. Onderdeelnummer en beschrijving.
3. Een korte duidelijke omschrijving van het probleem ('gebroken' is niet voldoende).
4. Bewijs van aankoop (kopie van de factuur).

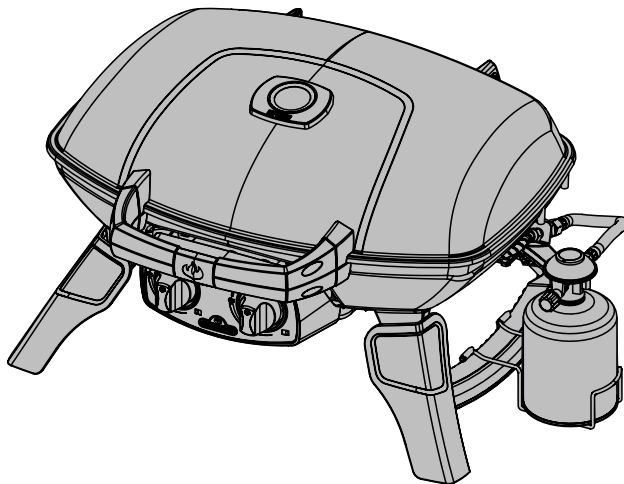
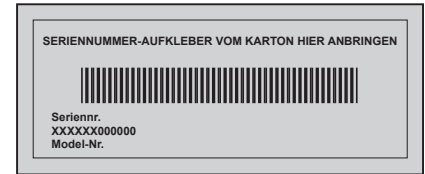
In enkele gevallen kan de vertegenwoordiger van de klantenservice verzoeken de onderdelen naar de fabriek terug te sturen voor onderzoek, voordat vervangende onderdelen worden geleverd. De onderdelen dienen vooruitbetaald verscheept te worden ter attentie van de klantenservice met de volgende gegevens:

1. Model en serienummer van het apparaat.
2. Een korte duidelijke omschrijving van het probleem ('gebroken' is niet voldoende).
3. Bewijs van aankoop (kopie van de factuur).
4. Retour autorisatienummer – verstrekt door de vertegenwoordiger van de klantenservice.

Let u er op, voordat u contact opneemt met de klantenservice, dat de volgende zaken niet door de garantie worden gedekt:

- transportkosten, provisie of exportbelastingen
- arbeidsloon voor het de- en herinstalleren
- kosten voor servicegesprekken om de problemen vast te stellen
- ontkleuring van roestvrijstalen onderdelen
- mankementen aan onderdelen door gebrek aan reiniging en onderhoud, of het gebruik van onjuiste reinigingsmiddelen (ovenreiniger).

Dieser Gasgrill darf nur an einem gut belüfteten Ort im Freien benutzt werden, nicht jedoch in einem Gebäude, einer Garage oder einem anderen geschlossenen Bereich.



**TQ285**

DE



### **GEFAHR**

#### **WENN ES NACH GAS RIECHT:**

- Gaszufuhr zum Gerät absperren.
- Flammen löschen.
- Haube öffnen.
- Wenn es weiterhin nach Gas riechen sollte, dem Gerät fernbleiben und unverzüglich den Gaslieferanten oder die Feuerwehr benachrichtigen.



### **ACHTUNG**

Vor dem Zünden dieses Geräts bitte unbedingt den Abschnitt „ZÜNDANLEITUNG“ lesen.

In der Nähe dieses oder anderer Geräte dürfen weder Benzin noch andere brennbaren Flüssigkeiten oder Gase gelagert werden. Dies gilt auch für nicht angeschlossene Gasflaschen. Ein Nichtbefolgen dieser Anleitung kann durch Brände oder Explosionen zu Sachschäden und Körperverletzungen, auch zu tödlichen, führen.

**Bitte Bewahren Sie Diese Anleitung Auf**



N415-0289CE-W MAR 27.18

Wolf Steel Europe BV  
Poppenbouwing 29-31, 4191 NZ Geldermalsen,  
CCI No. 51509970, THE NETHERLANDS  
[info@napoleongrills.nl](mailto:info@napoleongrills.nl)

[www.napoleongrills.com](http://www.napoleongrills.com)

# Napoleon President Beschränkte 10-Jahres-Garantie



Hochwertige Komponenten und Materialien bilden die Grundlage der NAPOLEON Produkte. Sie werden von gelernten Handwerkern, denen ihre Arbeit mit großem Stolz erfüllt, montiert. Dieses Produkt wurde durch einen Fachmonteur gründlich geprüft, bevor es verpackt und ausgeliefert wurde, um zu garantieren, dass Sie, der Kunde, das erwartete Qualitätsprodukt von NAPOLEON erhalten.

NAPOLEON garantiert, dass die Bestandteile Ihres neuen NAPOLEON Produkts ab dem Kaufdatum für den folgenden Zeitraum frei von Material- und Arbeitsfehlern sein werden:

Alugussteile / Edelstahlrahmen .....	<b>10 Jahre</b>
Edelstahl-Deckel .....	<b>10 Jahre</b>
Porzellan-Emaillierter Deckel .....	<b>10 Jahre</b>
Deckel aus lackiertem Stahl .....	<b>5 Jahre voller Umfang, abzüglich 50 % bis zum 10. Jahr</b>
Edelstahl-Rohrbrenner .....	<b>5 Jahre voller Umfang, abzüglich 50 % bis zum 10. Jahr</b>
Grillroste aus porzellanbeschichtetem Gusseisen .....	<b>5 Jahre voller Umfang, abzüglich 50 % bis zum 10. Jahr</b>
Edelstahl- oder Porzellan- Flammenschutzsätze .....	<b>3 Jahre voller Umfang, abzüglich 50 % bis zum 10. Jahr</b>
Alle anderen Teile .....	<b>2 Jahre</b>

DE

**\*Bedingungen und Beschränkungen**

Diese beschränkte Garantie bewirkt eine wie zuvor in der Aufstellung aufgeführte Garantiefrist für jedes bei einem autorisierten NAPOLEON Händler erworbene Produkt und berechtigt den ursprünglichen Käufer, entsprechend den geltenden Bestimmungen hinsichtlich des Komponentenaustauschs innerhalb der Garantiefrist, zu den entweder durch NAPOLEON oder einen autorisierten NAPOLEON Händler zu erbringenden Garantieleistungen. Diese beziehen sich auf den Austausch einer Komponente eines solchen Produkts, das im normalen Privatgebrauch infolge eines Herstellungsfehlers ausfiel. „Abzüglich 50 %“, wie in der Aufstellung genannt, bedeutet, dass die Komponente dem Käufer für den angegebenen Zeitraum mit 50 % Rabatt auf den regulären Verkaufspreis der Komponente angeboten wird. Diese beschränkte Garantie umfasst weder Zubehör noch Extrateile.

Um Missverständnissen vorzubeugen, „normaler Privatgebrauch“ eines Produkts bedeutet, dass das Produkt durch einen lizenzierten, autorisierten Servicetechniker oder Auftragnehmer in Übereinstimmung mit der dem Produkt beigefügten Installationsanleitung sowie allen lokalen und nationalen Bauverordnungen und Feuerschutzbestimmungen installiert wurde, dass es ordnungsgemäß gepflegt wurde und dass es nicht als Gemeinschaftsvorrichtung oder gewerblich genutzt wurde.

„Ausfallen“ beinhaltet nicht: übermäßige Hitzeerzeugung; Erlöschen der Flammen infolge von Umgebungsbedingungen wie starkem Wind oder unzureichender Luftzirkulation; Kratzer; Beulen; Rostbildung; Abnutzung von aufgetragenen Lackierungen und Plattierungen; durch Hitzeinwirkung, scheuernde oder chemische Reinigungsmittel oder UV-Bestrahlung verursachte Verfärbung; Beschädigung porzellan-emaillierter Teile oder Schäden, die verursacht wurden durch unsachgemäße Nutzung, Unfall, Hagel, Fettbrand, mangelnde Pflege, widrige Umgebungseinflüsse wie Salz oder Chlor, Umbau, Nachlässigkeit oder installierte

Teile von anderen Herstellern. Sollten sich während der gewährten Garantiefrist Teile so sehr abnutzen, dass die Nutzung nicht mehr möglich ist (durchgerostet oder -gebrannt), werden die entsprechenden Ersatzteile bereitgestellt.

NAPOLEON ist gemäß dieser beschränkten Garantie einzig für die Ersatzkomponente verantwortlich. Unter keinen Umständen wird NAPOLEON Verantwortung übernehmen für Installation, Arbeitskräfte oder jegliche andere Kosten im Zusammenhang mit der Installation eines im Garantiebereich enthaltenen neuen Teils; für Neben-, Folge- oder indirekte Schäden oder für Fracht, Arbeitskosten oder Ausfuhrzölle.

Diese beschränkte Garantie gilt in Ergänzung zu jeglichen Rechten, die Ihnen laut den örtlichen Gesetzen zustehen. Folglich erlegt diese beschränkte Garantie NAPOLEON keine Verpflichtung dahingehend auf, Einzelteile vorrätig zu halten. Auf der Grundlage der Einzelteilverfügbarkeit kann sich NAPOLEON nach eigenem Ermessen von allen Verpflichtungen entbinden, indem dem entsprechenden Kunden eine anteilige Gutschrift beim Kauf eines neuen Produkts gewährt wird. Nach dem ersten Jahr kann sich NAPOLEON in Bezug auf diese beschränkte Garantie nach eigenem Ermessen von allen Verpflichtungen hinsichtlich dieser Garantie vollständig entbinden, indem dem ursprünglichen und ein Garantieanspruch zustehenden Käufer der Großhandelspreis eines jeden im Garantiebereich enthaltenen aber defekten Einzelteils erstattet wird.

Für die Geltendmachung von Garantieansprüchen bei NAPOLEON sind der Kaufvertrag oder eine Kopie dessen sowie die Serien- und Modellnummer erforderlich.

NAPOLEON ist das Recht vorbehalten, durch einen damit beauftragten Vertreter jedes Produkt oder Teil prüfen zu lassen, bevor einem Garantieanspruch stattgegeben wird. Sie müssen sich an den NAPOLEON Kundendienst oder einen autorisierten NAPOLEON Händler wenden, um von der angebotenen Garantie profitieren zu können.



napoleongrills.com

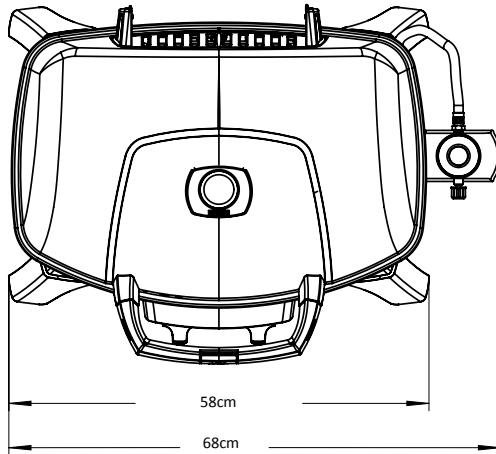


**ACHTUNG!** Ein Nichtbefolgen dieser Anleitung kann durch Brände oder Explosionen zu Sachschäden und Körperverletzungen, auch zu tödlichen, führen.

## Sicherheitsanweisungen

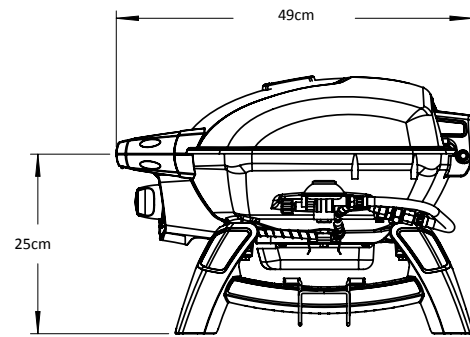
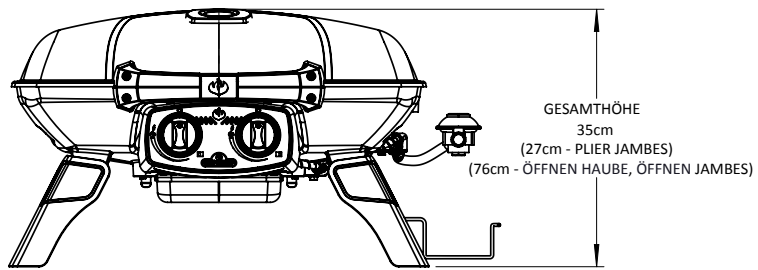
- Der Grill muss exakt nach Montageanleitung montiert werden. Haben Sie den Grill bereits montiert erworben, lesen Sie die Montageanleitung, überprüfen Sie die korrekte Montage und führen Sie die erforderliche Dichtheitsprüfung vor Inbetriebnahme durch.
- Lesen Sie die gesamte Bedienungsanleitung bevor Sie den Grill in Betrieb nehmen.
- Der Grill darf nur im Freien an einem gut durchlüfteten Bereich verwendet werden; nicht innerhalb eines Gebäudes, einer Garage, auf einer abgeschotteten Veranda, Pavillon oder einem anderen geschlossenen Bereich.
- Dieser Grill ist ausschließlich geeignet für Popangas, Butangas oder eine Propan-/Butangas-Mischung.
- Nicht in windiger Umgebung verwenden. Starker Wind kann die Leistung des Grills negativ beeinflussen.
- Der Grill darf nicht umgebaut werden. Abgedichtete Teile des Herstellers, eines autorisierten Servicetechnikers oder Auftragnehmers dürfen nicht vom Anwender verändert werden.
- Halten Sie hinten und seitlich des Grills einen Abstand von 18" (ca. 45 cm) zu brennbaren Stoffen ein. Ein größerer Abstand ist bei Vinyl-Verkleidungen und Glasscheiben empfohlen.
- Der Gasschlauch muss so installiert werden, dass er weder bei Verwendung, noch bei der Aufbewahrung oder dem Transport des Grills mit heißen Oberflächen in Kontakt kommen kann.
- Die Gaskartusche muss bei Nicht-Verwendung des Grills entfernt werden.
- Wenn die Gaskartusche an das Gerät angeschlossen ist, muss dieses im Freien in einem gut durchlüfteten Bereich gelagert werden.
- Wird der Grill in einem Innenraum gelagert, muss die Gaskartusche entfernt und in einem Außenbereich außerhalb der Reichweite von Kindern aufbewahrt werden. Offene Gaskartuschen dürfen nicht in Gebäuden, Garagen oder anderen geschlossenen Bereichen aufbewahrt werden.
- Überprüfen Sie den Gaszufuhrschlauch vor jedem Gebrauch. Wenn es Anzeichen für eine übermäßige Abnutzung, Verschleiß oder Schnitte gibt, muss er vor der Verwendung des Grills mit einem vom Hersteller angegebenen Ersatzschlauch ersetzt werden.
- Bewahren Sie niemals Ersatz-Kartuschen unter oder in der Nähe des Grills auf.
- Leiten Sie den Gaszufuhrschlauch nicht unter der Auffangschale durch. Halten Sie den entsprechenden Abstand zur Unterseite des Grills ein.
- Führen Sie vor dem ersten Gebrauch, einmal jährlich sowie nach dem Tausch von Gas-Komponenten eine Dichtheitsprüfung durch
- Befolgen Sie die Anzündanleitung, wenn Sie den Grill verwenden.
- Entzünden Sie die Brenner nicht bei geschlossenem Grilldeckel.
- Erwachsene und vor allem Kinder sollten vor den hohen Oberflächentemperaturen gewarnt werden. Kleine Kinder sollten in der Nähe des Grills beaufsichtigt werden.
- Lassen Sie den Grill während der Verwendung nicht unbeaufsichtigt.
- Bewegen Sie den Grill nicht während der Verwendung oder solange er heiß ist.
- Halten Sie Elektrokabel und Gaszufuhrschläuche fern von heißen Oberflächen.
- Versichern Sie sich, dass die Grillplatte in der richtigen Position ist (sofern in der Ausstattung enthalten)
- Reinigen Sie die Fettauffangschale und Grillplatten (sofern enthalten) regelmäßig, um Ablagerungen zu vermeiden, die zu Fettbrand führen könnten.
- Verwenden Sie kein Wasser, Bier oder andere Flüssigkeiten um ein Aufflammen zu regulieren.
- Verwenden Sie keinen Hochdruckreiniger bei der Reinigung jeglicher Teile.
- Dieser Grill ist nicht für die kommerzielle Verwendung entwickelt worden.
- Dieser Grill ist nicht als Heizgerät entwickelt worden und sollte niemals als solches verwendet werden.

# DIMENSIONS



TQ285 GRILL

GRILL DIMENSION: 37 cm X 54 cm (UNREGELMÄSSIG) = 1840 cm<sup>2</sup>  
DIMENSIONS UNGEFÄHRE



DE

## Vorsichtig handhaben!



**ACHTUNG!** Bei Handhabung oder Transport des Grills vorsichtig vorgehen, um Schäden und Versatz der internen Bauteile zu vermeiden. Obwohl dieser Grill für Mobilität ausgelegt ist, kann grober oder falscher Umgang zu Schäden an internen Bauteilen und fehlerhafter Funktion führen.



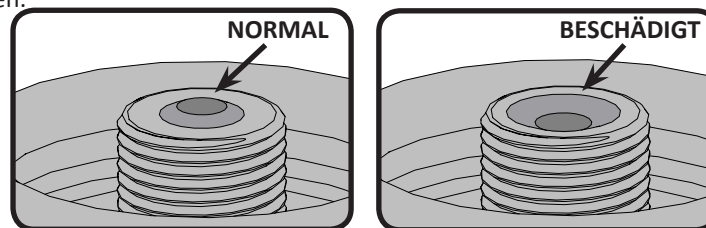
### Entsorgung von Altgeräten aus privaten Haushalten in der EU

Dieses Symbol auf dem Produkt oder dessen Verpackung gibt an, dass das Produkt innerhalb der EU nicht zusammen mit dem Restmüll entsorgt werden darf. Die separate Sammlung und das Recyceln Ihrer alten Elektrogeräte zum Zeitpunkt ihrer Entsorgung trägt zum Schutz der Umwelt bei und gewährleistet, dass sie auf eine Art und Weise recycelt werden, die keine Gefährdung für die Gesundheit des Menschen und der Umwelt darstellt. Es obliegt daher Ihrer Verantwortung, das Gerät an einer entsprechenden Rücknahmestelle für die Entsorgung oder Wiederverwertung von Elektro- oder Elektronik-Altgeräten aller Art abzugeben oder wenden Sie sich an den Händler, von dem das Produkt erworben wurde. Gemäß den lokalen Bestimmungen gewährleisten diese Stellen, dass das Gerät auf eine Art und Weise recycelt wird, die keine Gefährdung für die Umwelt darstellt.

## Gaspatrone

Nur Gaspatronen verwenden, die den nationalen und regionalen Vorschriften entsprechen. Für einen optimalen Betrieb sollte Propangas verwendet werden. Einwegpatronen müssen der EN-417-Norm entsprechen und mit einem selbstdichtenden Lindal-Ventil ausgestattet sein. Patronen müssen ein Fassungsvermögen von 430 bis 460 g aufweisen. Patronen müssen entweder mit Propangas oder einer Propan-/Butanmischung befüllt sein.

- Den Gummi-O-Ring am Druckregler inspizieren. Bei Beschädigungen den Druckregler ersetzen.
- Niemals eine Gaspatrone anschließen, die nicht den lokalen Vorschriften entspricht.
- Einwegpatronen müssen stets in aufrechter Position an der Grillseite befestigt werden – hierzu die mitgelieferte Haltevorrichtung verwenden.
- Ersatzpatronen nicht in der Nähe des Geräts aufbewahren, wenn dieses in Betrieb ist. Gaspatronen nicht extremer Hitze aussetzen und von direktem Sonnenlicht fernhalten.
- Die Patrone niemals zu fest anziehen, da dies zu Beschädigungen des Druckregleranschlusses oder Patronenanschlusses führen kann. Diese können zu einem Leck oder eingeschränktem Durchfluss zur Einheit führen.

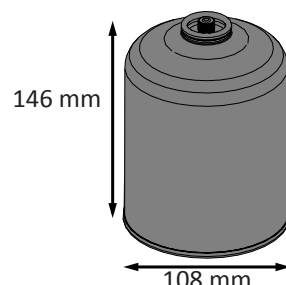


**ACHTUNG!** Die Staubschutzkappe sollte aufgesetzt werden, wenn die Patrone nicht verwendet wird, um das Eindringen von Schmutz und Ablagerungen in das Ventil zu verhindern.

**ACHTUNG!** Vor Verwendung die Anweisungen auf der Patrone genau durchlesen. Eine verbeulte oder verrostete Patrone kann gefährlich sein. Die Patrone entsorgen, wenn sich Rostpartikel oder Ablagerungen an der Verbindungsstelle der Patrone befinden.

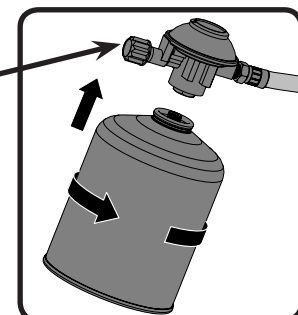
**Anschließen der Patrone:** Sicherstellen, dass der Gasdruckreglerschlauch keinen Knick aufweist. Die Patrone hat eine positive Sitzposition, die einen Gasfluss erst dann erlaubt, wenn eine positive Abdichtung erreicht ist. Abdeckung der Gaspatrone abnehmen. Zur Montage die Patrone einfach im Uhrzeigersinn in den Druckregler einschrauben. Nur per Hand anziehen, niemals Werkzeug verwenden.

Alle Anschlüsse vor Inbetriebnahme des Grills auf Gaslecks prüfen. Das Gerät jährlich und nach Anschließen einer neuen Gasflasche auf Gaslecks prüfen, oder wenn eine Komponente des Gassystems ersetzt wurde. Einwegpatronen müssen stets in aufrechter Position an der Grillseite befestigt werden – hierzu die mitgelieferte Haltevorrichtung verwenden. Hierdurch wird das Eintreten von flüssigem Propan / Butan in den Druckregler vermieden, das zu Überfeuern und Schäden am Druckregler führen kann.



\* Für ordnungsgemäßen Betrieb sicherstellen, Regelventil geöffnet ist.

\* EINSTELLEN DES DRUCKREGLERS







### ACHTUNG!

- Schlauch nicht unterhalb der Auffangschale verlegen.
- Alle Schlauchanschlüsse mit zwei Rohrschlüsseln fest anziehen. Kein Teflon-Abdichtungsband oder Dichtungskitt für die Rohrverbindungen verwenden.
- Den Schlauch von heißen Oberflächen fernhalten. Schmelzen des Schlauchs kann zu Bränden führen.

## Gasschlauch

- Gehören Schlauch und Regler nicht zum Lieferumfang, dürfen nur solche Schläuche und Regler verwendet werden, die die einschlägigen gesetzlichen Bestimmungen erfüllen.
- Der Schlauch darf nicht mit Fett oder sonstigen heißen Flüssigkeiten oder Bauteilen des Geräts in Berührung kommen.
- Schlauch regelmäßig überprüfen. Ein Schlauch, der Risse oder Schmelzstellen aufweist oder abgenutzt ist, muss vor der nächsten Benutzung des Geräts ersetzt werden.
- Der Schlauch darf nicht länger als 1,5 m sein.
- Beim Anschließen ist darauf zu achten, dass der Schlauch knickfrei und nicht verdreht ist.
- Der Schlauch ist vor dem aufgedruckten Ablaufdatum auszuwechseln.

## Regler

In der folgenden Tabelle sind die Anschlusswerte des Geräts aufgeführt.

Brenner	Düsengröße		(Grob)Leistung(Insgesamt)		Gasverbrauch (Insgesamt)	
	I	II	I	II	I	II
	#69 (0.74 mm)	#73 (0.61 mm)	4.1kW	4.1kW	301 g/hr	301 g/hr

Zugelassene Gase / Druck - Die Werte Ihres Geräts stehen auf dem Typenschild.

Gaskategorie	3B/P(30)	3+(28-30/37)	3B/P(50)
Düsengröße (siehe oben)	I	I	II
Gasdruck	Butan und Propane bei 30mbar	Butan 28-30mbar Propane 37mbar	Butan und Propane bei 50mbar
Länder	BE, BG, CY, DK, EE, FI, FR, GB, HR, HU, IS, IT, LT, LU, MT, NL, NO, RO, SE, SI, SK, TR	BE, CH, CY, CZ, ES, FR, GB, GR, IE, IT, LT, LU, LV, PT, SK, SI	AT, CH, DE, SK

Nehmen Sie keinerlei Änderungen am Druckregler vor. Nur Druckregler verwenden, die den in der vorstehenden Tabelle angegebenen Druck bereitstellen. Ersetzen Sie den Druckregler nur mit vom Hersteller vorgegebenen Modellen.



## Verwendung am Tisch

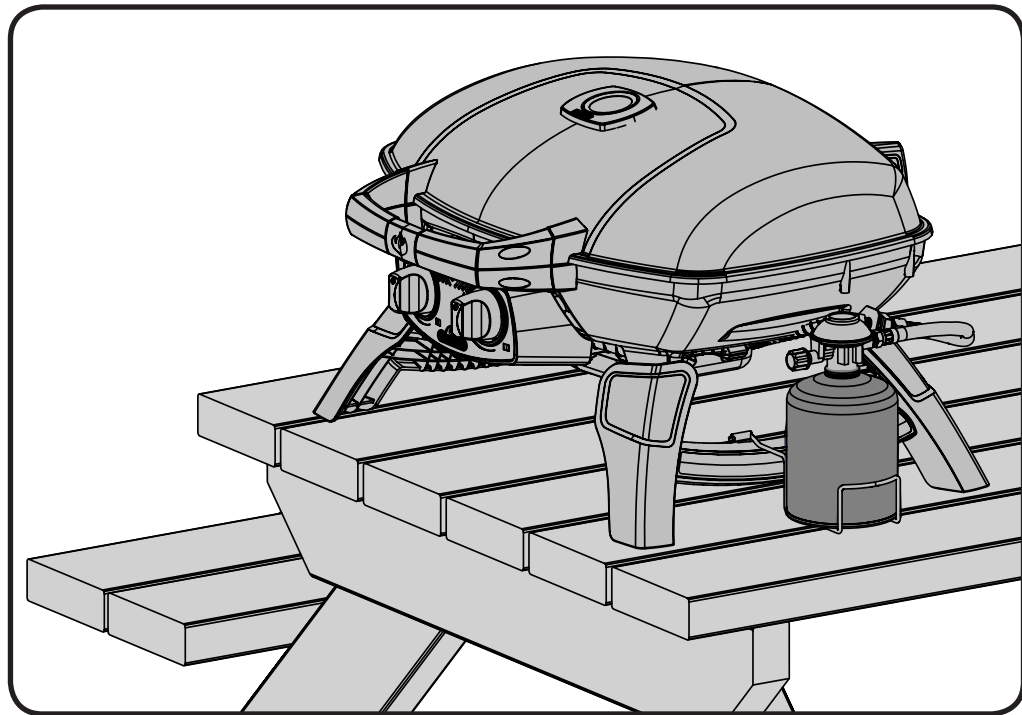
Der TQ285/PRO285 ist für den mobilen Einsatz entworfen. Mit seinen klappbaren Beinen kann der TQ285/PRO285 auf den meisten Tischen verwendet werden. Die Beine klappen aus und rasten ein; beim Transport einklappen und in entsprechender Position einrasten lassen.



**WARNUNG!** Die Beine auf beiden Seiten des Grills müssen während der Verwendung ausgeklappt sein.



**WARNUNG!** Grill nicht auf Plastik-, Kunstharz- oder Glas-Tischplatten stellen.



DE

## Anleitung Für Die Leckageprüfung



**ACHTUNG!** Ein Leckagetest muss vor der ersten Benutzung, jährlich und nach Auswechseln oder Warten eines Gasbauteils durchgeführt werden.



**ACHTUNG!** Während der Prüfung ist Rauchen verboten. Alle Zündquellen sind zu entfernen.



**Leckageprüfung:** Ein Leckagetest muss vor der ersten Benutzung, jährlich und nach Auswechseln oder Warten eines Gasbauteils durchgeführt werden. Während der Prüfung ist Rauchen verboten. Alle Zündquellen sind zu entfernen. Die zu prüfenden Stellen sind auf der *Leckageprüfzeichnung* aufgeführt. Alle Brenner abstellen. Flaschenventil aufdrehen.



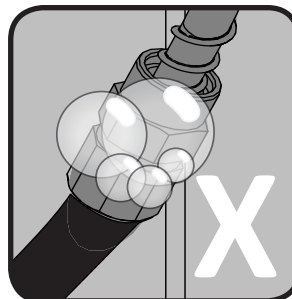
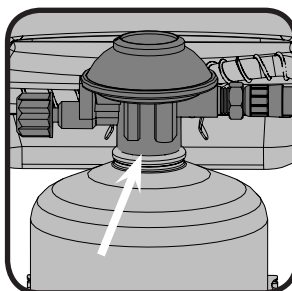
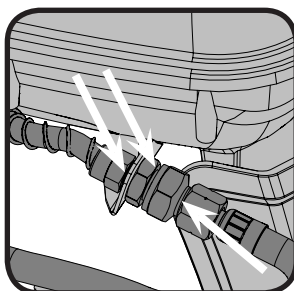
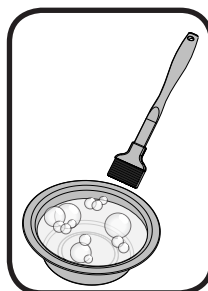
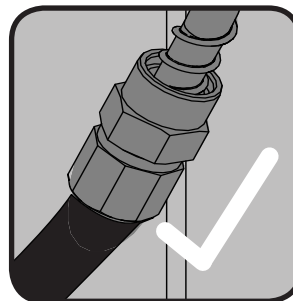
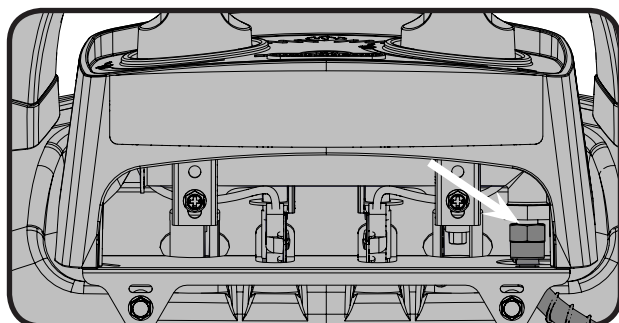
Seifenwasser (halb Wasser, halb Flüssigseife) auf alle Anschlüsse und Verbindungen an Regler, Schlauch, Verteiler und Ventile auftragen.

Leckagen werden durch Blasenbildung angezeigt. Leckage durch Festdrehen des Anschlusses oder Austausch des Teils durch ein vom Händler empfohlenes Teil beseitigen.

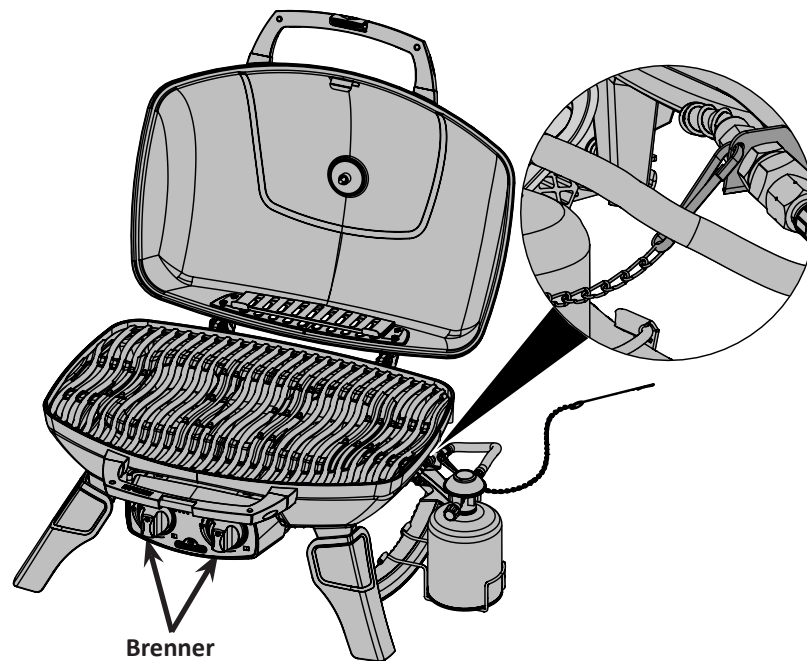
Bleibt die Leckage bestehen, **Flaschenventil zudrehen**, Regler abnehmen und Grill vom Gaslieferanten oder Händler untersuchen lassen. Das Gerät darf erst wieder benutzt werden, wenn die Leckage behoben ist. Gaszufuhr abstellen.



DE



# Zündanleitung



DE



**WARNUNG!** Deckel öffnen

**WARNUNG!** Stellen Sie sicher, dass alle Brenner ausgeschaltet/in OFF-Position sind. Setzen Sie eine Einweg-Kartusche ein.

## Hauptbrenner entzünden

1. Grilldeckel öffnen

2. Drücken und drehen Sie alle Drehregler der Hauptbrenner langsam in die Position "hi". So werden die ausgewählten Brenner gezündet.

3. Falls der Brenner nicht zündet, drehen Sie den Drehregler sofort wieder in die OFF-Position und wiederholen Sie Schritt 2 einige Male.

4. Zündet der Brenner nicht innerhalb von 5 Sekunden, drehen Sie den Drehregler in die OFF-Position und warten Sie 5 Minuten, bis sich etwaiges austretendes Gas verflüchtigt hat, wiederholen Sie Schritt 2 und 3 oder entzünden Sie den Brenner mit einem Streichholz.

5. Wenn Sie den Brenner mit einem Streichholz entzünden, klemmen Sie dieses in die mitgelieferte Anzündstange. Halten Sie das geklemmte Streichholz durch den Rost, während Sie den jeweiligen Drehregler aufdrehen.



## Grillanleitung



**WARNUNG!** Verwenden Sie den Grill nicht unter ausgeklappten Markisen oder Sonnensegeln. Ein Unterlassen der Anweisung kann zu Feuer oder Verletzungen führen.

**ACHTUNG!** Klappen Sie den Grill nicht unmittelbar nach der Verwendung in den Aufbewahrungs- bzw. Transportmodus. Lassen Sie den Grill ganz abkühlen bevor Sie ihn bewegen oder aufbewahren. Ein Unterlassen dieser Anweisung kann zu einem Feuer und Sachschaden, Verletzungen oder Tod führen.

Beim allerersten Erhitzen gibt der Gasgrill einen leichten Geruch ab. Der Geruch wird durch das „Einbrennen“ der Innenlacke und Verdunsten der Schmiermittel aus der Fertigung verursacht, ist ganz normal und tritt später nicht mehr auf. Vor der ersten Benutzung sollten Sie darum die Hauptbrenner etwa eine halbe Stunde mit größter Hitze brennen lassen. Vor dem Grillen von magerem Fleisch wie Hähnchenbrust oder mageres Schweinefleisch ist es am besten, die Roste vor dem Vorwärmen zu ölen, damit das Fleisch nicht anklebt. Beim Grillen von sehr fettem Fleisch kann es zum Aufflammen kommen. Um Aufflammen zu verhindern, können Sie Fett abschneiden oder mit niedrigerer Temperatur grillen. Wenn es zum Aufflammen kommt, legen Sie das Fleisch von der Flamme weg zur Seite und stellen die Temperatur herunter. Lassen Sie die Haube offen. Eine detaillierte Anleitung finden Sie in Napoleons Grill-Kochbuch.

**Verwendung des Hauptbrenners:** Vor dem Braten von Speisen sollte der Grill vorgewärmt werden. Hierzu alle Hauptbrenner bei geschlossener Grillhaube auf hoher Flamme für ca. 10 Minuten betreiben. Gerichte, die nur kurze Kochzeiten erfordern (Fisch, Gemüse) können bei offener Grillhaube gegrillt werden. Kochen bei geschlossener Haube ermöglicht höhere, gleichmäßigere Temperaturen. Kochzeiten werden reduziert und Fleischstücke werden gleichmäßiger gegart. Speisen, wie z. B. Braten, die eine Garzeit von mehr als 30 Minuten erfordern, sollten indirekt gegart werden (der Brenner gegenüber des Grillguts sollte gezündet sein). Bei der Zubereitung sehr magerer Fleischsorten wie Hühnerbrust oder mageren Stücken vom Schwein kann der Grillrost vor dem Vorwärmen eingefettet werden, um Anhaften zu vermeiden. Bei der Zubereitung von sehr fetthaltigen Fleischsorten kann es zu Aufflammen kommen. Das Fett etwas abtrimmen oder die Temperatur reduzieren, um Aufflammen zu verhindern. Sollte es zum Aufflammen kommen, Grillgut von der Flamme entfernen und Hitze reduzieren. Haube offen lassen. Weitere Anweisungen finden Sie im Napoleon-Grillkochbuch für alle Jahreszeiten mit exklusiven Rezepten für alle Gelegenheiten.

DE

## Reinigungsanleitung



**VORSICHT!** Beim Reinigungsanleitung sollten Arbeitshandschuhe und eine Schutzbrille getragen werden.

**VORSICHT!** Zum Reinigen müssen die Brenner ausgeschaltet sein. Heiße Flächen nicht ungeschützt berühren. Grill an einen Ort stellen, wo das Reinigungsmittel keinen Schaden anrichten kann (nicht auf die Terrasse oder den Rasen). Kein Teil dieses Gasgrills darf mit Ofenreiniger gesäubert werden. Grillroste oder andere Teile des Gasgrills nicht in einem selbstreinigenden Ofen säubern. Gasgrill regelmäßig reinigen, da Barbecue-Sauce und Salz das Metall angreifen.

**Hinweis:** In chlorid- und sulfidhaltigen Umgebungen kann auch rostfreier Stahl oxidieren oder Flecken aufweisen. Dazu gehören insbesondere Küstenregionen und andere extreme Bedingungen, z. B. die nähere Umgebung von Pools und Whirlpools, die von hoher Wärme und Luftfeuchtigkeit gekennzeichnet ist. Diese Flecken werden manchmal mit Rost verwechselt, aber sie können einfach entfernt und vermieden werden. Reiben Sie alle rostfreien Stahlflächen alle 3 bis 4 Wochen mit Leitungswasser und einem Reinigungsmittel für rostfreien Stahl ab, um die Entstehung von Flecken zu verhindern.

**Gusseisen Grillroste:** Die Gusseisen Grillroste Ihres neuen Grills bieten besondere Hitzespeicherung und – Verteilung. Durch regelmäßiges Einfetten der Grillroste entsteht eine Schutzschicht, die Korrosion reduziert und die Anti-Haft-Eigenschaften des Rostes verbessert.

**Erste Verwendung:** Waschen Sie den Grillrost händisch mit einem milden Spülmittel, um etwaige Rückstände der Produktion zu entfernen (Niemals in der Spülmaschine waschen). Spülen Sie es gut mit heißem Wasser ab und trocknen Sie es mit einem weichen Tuch, um ein Eindringen von Feuchtigkeit in das Gusseisen zu verhindern.

**EINFETTEN:** Verwenden Sie ein weiches Tuch und verteilen Sie Pflanzenfett über den gesamten Rost inkl. aller Rillen und Ecken. Verwenden Sie keine gesalzene Fette wie Butter oder Margarine. Heizen Sie den Grill 15 Minuten vor, setzen Sie dann die eingefetteten Roste in den Grill ein. Drehen Sie die Regler in mittlere Stellung und schließen Sie den Deckel. Lassen Sie die Grillroste für 30 Minuten im Grill. Drehen Sie alle Brenner auf OFF-Position und drehen Sie das Gas an der Quelle ab. Lassen Sie die Grillroste abkühlen. Dieser Prozess sollte einige Male während der Grillsaison wiederholt werden, ist aber im täglichen Gebrauch nicht nötig (folgen Sie der folgenden Anweisung für den täglichen Gebrauch).

**TÄGLICHER GEBRAUCH:** Vor dem Vorheizen und Reinigen mit einer Messingdrahtbürste bedecken Sie die gesamte Oberfläche des Grillrosts mit Pflanzenfett. Heizen Sie den Grill vor und entfernen Sie dann die unerwünschten Rückstände mit der Messingdrahtbürste.

**Gasgrill innen reinigen:** Entfernen Sie die Grillroste. Verwenden Sie eine Messingdrahtbürste um losen Schmutz von Gussteilen und unter dem Grilldeckel zu entfernen. Bürsten Sie alle Rückstände im Inneren des Gasgrills in die abnehmbare Fettauffangschale.

**Fettauffangschale/Tropfschale:** Gesammelte Fette sind eine Brandgefahr. Reinigen Sie die Fettauffangschale regelmäßig, um ein Ansammeln von Fett zu verhindern.

Fette und austretende Bratensäfte laufen gesammelt in die Auffangschale, die sich unter dem Gasgrill befindet. Um die Auffangschale zu reinigen, ziehen Sie sie aus dem Grill. Kleiden Sie sie nicht mit Alufolie, Sand oder anderen Materialien aus, da dies das richtige Fließen des Fettes verhindern würde. Die Pfanne mit einer Spachtel oder einem Schaber säubern.



**ACHTUNG!** Stellen Sie sicher, dass die Auffangschale leer ist, bevor Sie den Grill in vertikaler Position transportieren.

**Reinigen Der Aussenseite Des Gasgrills:** Lackierte, Porzellan- oder Rostfreistahlteile nicht mit Scheuermitteln säubern. Die Porzellanemalle ist besonders vorsichtig zu behandeln. Die Emaillebeschichtung ist wie Glas und platzt beim Anschlagen leicht ab. Außenflächen am besten in handwarmem Zustand mit warmem Seifenwasser reinigen. Rostfreistahl mit einem entsprechenden Reinigungsmittel oder einem nicht scheuernden Reinigungsmittel säubern. Stets in Strukturrichtung wischen. Keine Stahlwolle verwenden, da sie Kratzspuren hinterlässt. Rostfreistahl verfärbt sich unter Hitze goldfarben oder braun. Diese Verfärbung ist normal und beeinträchtigt die Leistung des Grills nicht.

DE

## Wartungs Anleitung

Der Gasgrill sollte jährlich von einem zugelassenen Wartungsdienst überprüft und gewartet werden.

Brennbare Materialien, Benzin und andere brennbare Dämpfe und Flüssigkeiten müssen entfernt vom Gasgrill gelagert werden. Luftwege zur Belüftung und zum Brenner nicht blockieren.



**VORSICHT!** Beim reinigungsanleitung sollten Arbeitshandschuhe und eine Schutzbrille getragen werden.



**VORSICHT!** Gaszufuhr vor den Wartungsarbeiten abstellen und Gerät von der Gaszufuhr trennen. Grill vor dem Warten abkühlen lassen, damit es nicht zu Verbrennungen kommt. Jährlich und nach Auswechseln eines Gasbauteils eine Leckageprüfung durchführen.



**Brenner:** Der Brenner ist aus dickwandigem 304 Edelstahl, aber extreme Hitze und eine korrosive Umgebung kann zu Oberflächenkorrosion führen. Diese kann mit einer Messingdrahtbürste entfernt werden.



**ACHTUNG!** Hüten Sie sich vor Spinnen.

Spinnen und Insekten werden vom Geruch nach Propan- und Erdgas angezogen. Der Brenner ist mit einem Insektenschutzgitter auf der Luftklappe ausgestattet, was die Wahrscheinlichkeit von Insektenestern im Inneren des Brenners reduziert, aber das Problem nicht vollständig beseitigt. Ein Nest oder Spinnennetz kann dazu führen, dass der Brenner mit einer leicht gelben oder orangen Flamme brennt oder es kann durch einen Flammenrückschlag einen Brand an der Luftklappe unter dem Bedienfeld verursachen. Um das Innere des Brenners zu reinigen, muss er vom Gasgrill entfernt werden: Entfernen Sie die Schraube(n), die die Halterung und den Brenner auf der Grundplatte befestigen. Schieben Sie den Brenner zurück und nach oben, um ihn zu entfernen.

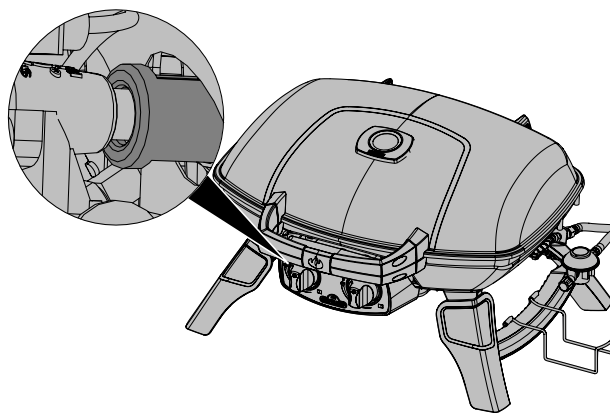
**Reinigung:** Verwenden Sie eine flexible Venturirohr-Bürste, um das Innere des Brenners zu reinigen. Schütteln Sie den losen Schmutz durch den Gaseinlass aus dem Brenner. Überprüfen Sie die Brenneröffnungen und Ventilöffnungen auf etwaige Verstopfungen. Brenneröffnungen können im Laufe der Zeit durch Grillrückstände und Korrosion verstopfen – verwenden Sie eine Büroklammer um sie zu reinigen. Die Brenneröffnungen sind einfacher zu reinigen, wenn die Brenner entfernt sind; es funktioniert aber auch mit eingebauten Brennern.

**ACHTUNG!** Achten Sie darauf, die Löcher nicht zu vergrößern. Stellen Sie sicher, dass das Insektengitter sauber, fest und frei von Fusseln und anderen Fremdkörpern ist.

**Wieder-Einbau:** Führen Sie den Prozess umgekehrt durch, um den Brenner wieder zu installieren. Stellen Sie sicher, dass das Ventil bei der Installation in den Brenner führt. Setzen Sie die Halterung ein und ziehen Sie die Schrauben fest, um den Einbau abzuschließen.



**ACHTUNG!** Bei der erneuten Installation des gereinigten Brenners unbedingt sicherstellen, dass das Ventil/ die Öffnung in das Brennerrohr führt, bevor der Gasgrill angezündet wird. Wenn das Ventil sich nicht innerhalb des Brennerrohrs befindet, kann es zu Brand oder Explosion kommen.



**VORSICHT!** Schlauch : auf Abrieb, Schmelzstellen, Einschnitte und Risse untersuchen. Wenn einer dieser Defekte vorliegt, darf der Gasgrill nicht benutzt werden. Schlauch von Ihrem Napoleon-Händler oder einem Fachbetrieb auswechseln lassen.

# Problembehandlung

Problem	Mögliche Ursachen	Lösung
Geringe Hitze / Niedrige Flamme trotz Reglerposition „high“	Gas-Blockade  Falsches Vorheizen  Gasflasche zugefroren	Auf Spinnennetze im Brenner oder der Öffnung überprüfen.  Hauptbrenner des Grills auf höchster Stufe 5 – 10 Minuten vorheizen.  Bei langem Grillen, wenn die Gasflasche fast leer ist oder sehr niedrige Außentemperaturen herrschen hat eine 1-Pfund-Gasflasche nicht genügend befeuchtete Oberfläche, um flüssiges Propan in Dampf zu verwandeln. Setzen Sie eine neue Gasflasche ein.
Übermäßiges Aufflammen/ ungleichmäßige Hitze	Falsches Vorheizen  Übermäßige Fett- und Asche-Rückstände in der Fettauffangschale	Grill mit beiden Hauptbrennern in höchster Stufe 5 – 10 Minuten vorheizen.  Auffangschale regelmäßig reinigen. Nicht mit Alufolie auskleiden. Den Reinigungsanweisungen folgen.
Brenner brennen mit gelber Flame, begleitet von Gasgeruch	Spinnennetz oder andere Fremdkörper oder unsachgemäße Luftklappeneinstellung	Brenner entfernen und gründlich reinigen. Siehe Allgemeine Wartungsanweisungen. Luftklappen entsprechend der Anweisung für Verbrennungslufteinstellungen leicht öffnen (Diese Tätigkeit muss von einem professionellen Gasinstallateur durchgeführt werden).
Flammen heben sich vom Brenner ab, begleitet von Gasgeruch und möglichen Schwierigkeiten beim Zünden.	Unsachgemäße Luftklappen-Einstellung	Luftklappen entsprechend der Anweisung für Verbrennungslufteinstellungen leicht schließen (Diese Tätigkeit muss von einem professionellen Gasinstallateur durchgeführt werden).
Brenner last sich nicht mit der Zündvorrichtung entfachen, aber mit einem Streichholz.	Jet-Fire Ventil ist schmutzig oder verstopft	Jet-Fire Ventil mit einem weichen Borstenpinsel reinigen
„Lack“ scheint sich auf der Innenseite des Deckels oder der Grillhaube abzuschälen	Fettablagerungen auf der inneren Oberfläche	Das ist kein Defekt. Das „Abschälen“ wird durch gehärtete Fette verursacht, die sich in eingetrocknetem Zustand in eine lack-ähnliche Schicht verwandeln und abfallen. Regelmäßiges Reinigen verhindert dies. Siehe Reinigungsanweisungen.
Brennleistung auf hoher Einstellung ist zu schwach (grollendes Geräusch und flackernde blaue Flamme an der Brennoberfläche)	Zu wenig Gas  Gaszufuhrschlauch ist eingeklemmt  Schmutzige oder verstopfte Öffnung  Spinnennetz oder andere Fremdkörper im Venturirohr	Gaslevel in der Gasflasche prüfen.  Gaszufuhrschlauch entsprechend positionieren.  Brenneröffnung reinigen.  Venturirohr reinigen.
Regler gibt ein brummendes Geräusch ab.	Ist an heißen Tagen normal.	Dies ist kein Defekt. Es wird durch Vibrationen im Regler erzeugt und beeinträchtigt die Leistung und Sicherheit des Grills nicht. Brummende Regler werden nicht ersetzt.

**BEWAHREN SIE IHRE QUITTING ALS KAUFNACHWEIS AUF, UM IHREN GARANTIEANSPRUCH ZU VALIDIEREN.**

## BESTELLUNG VON ERSATZTEILEN

### GARANTIE-INFORMATIONEN

MODELL: \_\_\_\_\_

KAUFDATUM: \_\_\_\_\_

SERIENNUMMER: \_\_\_\_\_

### ***(Alle für einen Garantieanspruch benötigten Informationen hier aufzeichnen)***

Bevor Sie sich mit dem Kundenlösungen setzen, besuchen Sie bitte die Napoleon-Website unter [www.napoleongrills.com](http://www.napoleongrills.com), um ausführlichere Informationen zu Reinigung, Wartung und Pflege, Fehlerbehebung und Ersatzteile zu erhalten. Setzen Sie sich direkt mit dem Werk in Verbindung, um Ersatzteile zu bestellen und Garantieansprüche geltend zu machen. Kontaktieren Sie bitte den Importeur Ihres Landes (Kontakt Daten im Lieferumfang Ihres Grills enthalten) für Ersatzteile und Garantieansprüche.

Zur Bearbeitung eines Garantieanspruchs bitte die folgenden Informationen bereithalten:

1. Modell- und Seriennummer des Geräts
2. Teilenummer und –beschreibung
3. Vollständige Beschreibung des Problems („kaputt“ ist nicht ausreichend)
4. Kaufnachweis (Fotokopie der Rechnung)

In manchen Fällen kann der Kundenlösungen die Einsendung der Teile zur Überprüfung im Werk verlangen, bevor Ersatzteile ausgeliefert werden. Die Teile müssen unter Vorauszahlung aller Transportkosten und Angabe der folgenden Informationen an den Kundendienst versandt werden:

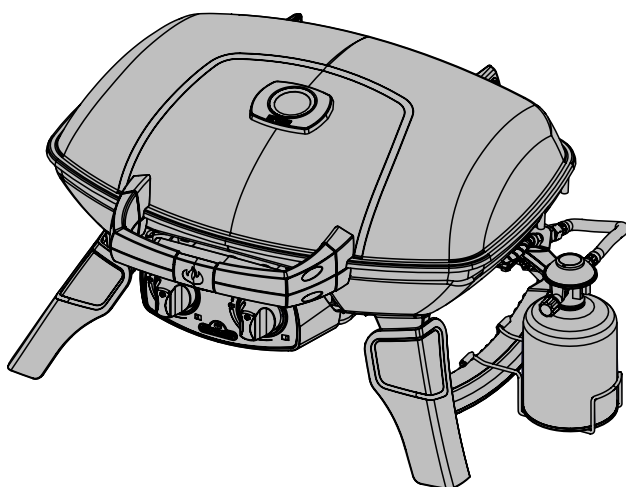
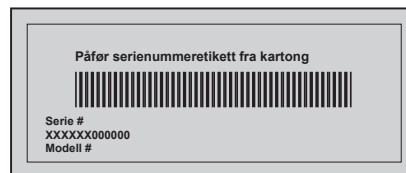
1. Modell- und Seriennummer des Geräts
2. Vollständige Beschreibung des Problems („kaputt“ ist nicht ausreichend)
3. Kaufnachweis (Fotokopie der Rechnung)
4. Autorisierungscode für die Rücksendung. Diese erhalten Sie vom Kundendienstmitarbeiter.

Beachten Sie, dass die folgenden Teile nicht unter die Garantie fallen, bevor Sie den Kundenlösungen kontaktieren:

- Transportkosten, Courtage oder Exportzölle
- Arbeitskosten für Aus- und Einbau
- Telefonkosten für Anrufe zur Diagnose eines Problems
- Verfärbungen von Edelstahlteilen
- Teileversagen aufgrund von mangelnder Reinigung und Pflege, oder Verwendung von falschen Reinigungsmitteln (Ofenreiniger)



Denne grillen er bare beregnet på utendørs bruk og skal aldri brukes i garasjer og på overbygde balkonger, eller verandaer.



**TQ285**

NO



### FARE

#### HVIS DU LUKTER GASS:

- Steng av gasstilførselen til apparatet.
- Slukk eventuell åpen ild/flammer
- Åpne lokket
- Hvis lukten fortsatt er tilstede: Gå vekk fra apparatet og tilkall øyeblikkelig Gassleverandør eller ring Brannvesenet.



### ADVARSEL

Ikke prøv å tenne denne grillen ute å ha lest instruksjoner om "TENNING" i denne håndboken.

Ikke oppbevar eller bruk bensin eller andre brennbare væsker, eller noe annet apparat som benytter brennbar/eksplosjons farlig væske i drift i nærheten av grillen. En gassflaske som ikke er tilkoblet må ikke oppbevares i nærheten av grillen eller noen andre anordninger. Hvis informasjonen i disse instruksjoner ikke følges eksakt kan det resultere i brann eller eksplosjon som kan forårsake skade på eiendom, alvorlige personskader eller død.

**Merknad til installatøren: Lever disse instruksjonene til eieren, som skal beholde dem for fremtidig bruk.**



N415-0289CE-W MAR 27.18

Wolf Steel Europe BV  
Poppenbouwing 29-31, 4191 NZ Geldermalsen,  
CCI No. 51509970, THE NETHERLANDS  
[info@napoleongrills.nl](mailto:info@napoleongrills.nl)

[www.napoleongrills.com](http://www.napoleongrills.com)

# Napoleon Presidents 10 års begrensede garanti



NAPOLEON produkter er utformet med førsteklasses komponenter og materialer, og er montert av erfarne fagfolk som legger stolthet i sitt arbeid. Produktet er grundig inspisert av kvalifisert personell før pakking og skipping slik at du – kunden – skal få det kvalitetsproduktet du forventer fra NAPOLEON.

NAPOLEON garanterer at komponentene i ditt nye NAPOLEON-produkt er uten feil i materialer og utførelse fra kjøpsdato og ut følgende periode:

Støpte deler i aluminium / fot i rustfritt stål.....	10 år
Lokk i rustfritt stål .....	10 år
Porselensemaljert lokk .....	10 år
Lakkert stållokk.....	5 års full dekning, pluss 50 % avslag inntil det 10. året
Brennerrør i rustfritt stål.....	5 års full dekning, pluss 50 % avslag inntil det 10. året
Porselensemaljerte grillrister i støpejern .....	5 års full dekning, pluss 50 % avslag inntil det 10. året
Flammetemmere i rustfritt stål eller porselen.....	3 års full dekning, pluss 50 % avslag inntil det 10. året
Alle andre deler .....	2 år

## \*Vilkår og begrensninger

Denne begrensede garantien har en garantiperiode som angitt i den ovennevnte tabellen for alle produkter som er kjøpt gjennom en autorisert NAPOLEON-forhandler, og gir den opprinnelige kjøperen rett til den angitte dekningen for alle komponenter som må skiftes ut i garantitiden, enten av NAPOLEON eller av en autorisert NAPOLEON-forhandler, til å skifte ut en komponent i et slikt produkt som har gått i stykker ved normal privat bruk som følge av en produksjonsfeil. "50 % avslag", som angitt i tabellen betyr at komponenten gjøres tilgjengelig for kjøperen med 50 % avslag på den vanlige butikkprisen for komponenten i den angitte perioden. Denne begrensede garantien dekker ikke tilbehør eller bonusdeler.

For å være mer presis betyr "normal privat bruk" av et produkt at produktet har blitt montert av en lisensiert, autorisert servicetekniker eller -leverandør i samsvar med monteringsanvisningene vedlagt produktet og alle lokale og nasjonale bygg- og brannforskrifter, at det har vært vedlikeholdt, og at det ikke har vært brukt på fellesarealer eller til kommersielle formål.

I tillegg omfatter uttrykket "gå i stykker" ikke bruk av for sterk varme, utblåsing på grunn av værforhold som sterk vind eller utilstrekkelig lufting, riper, bulker, rust, forringelse av lakkerte overflater og metallbelegg, misfarging på grunn av varme, slipende eller kjemiske rengjøringsmidler eller UV-eksponering, avskalling av porselensemaljerte deler eller skader forårsaket av feilbruk, ulykker, hagl, fettbrann, manglende vedlikehold, skadelige miljøer med for eksempel mye salt eller klor, ombygginger, misbruk, vanskjøtsel eller monterte deler fra andre produsenter.

(f.eks. som følge av gjennomrusting eller fordi det er brent hull i dem) i garantiperioden, blir delene erstattet. Erstatningsdelen er eneansvaret til NAPOLEON i henhold til denne begrensede garantien. NAPOLEON er under ingen omstendighet ansvarlig for montering, arbeid eller andre kostnader eller utgifter i tilknytning til montering av en del med garanti, for eventuelle tilfældige skader, følgeskader eller indirekte skader eller for eventuelle transportutgifter, arbeidskostnader eller eksportavgifter.

Denne begrensede garantien kommer i tillegg til eventuelle rettigheter du har i henhold til landets lover. Følgelig betyr det at denne begrensede garantien ikke forplikter NAPOLEON til å holde et lager med reservedeler. På grunnlag av de delene som finnes tilgjengelig, kan NAPOLEON etter eget skjønn fritas for alle forpliktelser ved å tilby kunden et pro rata-basert avslag på et nytt produkt. Etter det første året i tilknytning til denne begrensede garantien kan NAPOLEON etter eget skjønn innfri alle forpliktelser som gjelder denne garantien, ved å tilbakebetale den opprinnelige kjøperen grossistprisen på alle garanterte, men defekte deler.

Kjøpekontrakt eller kopi vil bli krevet sammen med et serienummer og et modellnummer ved fremsetting av garantikrav mot NAPOLEON. NAPOLEON forbeholder seg retten til å la sin representant kontrollere alle produkter eller deler før eventuelle garantikrav innfris. Du må kontakte NAPOLEONs kundeservice eller en autorisert NAPOLEON-forhandler for å få innfridd garantien.



napoleongrills.com



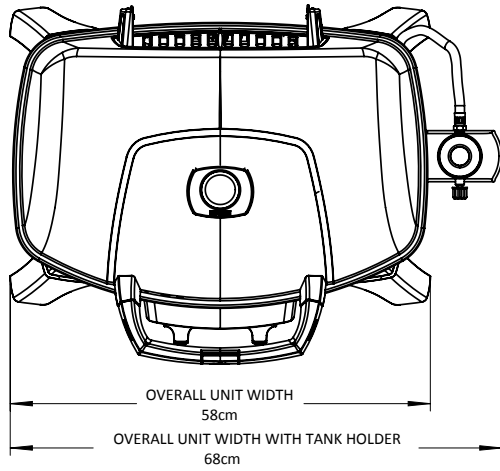
**ADVARSEL!** Hvis instruksjonene ikke følges kan det føre til alvorlig personskade, død eller skade på eiendom. Les og følg alle advarsler og sikkerhetsregler i Brukerhåndboken før gassgrillen tas i bruk.

## Sikkerhetsinstruks

- Grillen må settes sammen i henhold til monteringsanvisningen. Er grill montert i butikk, må den gjennomgås for å sjekke at monteringsanvisning er fulgt. Det må også gjennomføres lekkasjesjekk før grillen tas i bruk.
- Les hele manualen før du bruker grillen.
- Denne grillen må kun brukes utendørs i godt ventilert område. Den må ikke brukes inne, i garasjer, carporter, paviljonger eller andre lukkede områder.
- Denne grillen er kun laget for propan, butan eller en blanding av disse.
- Sett ikke grillen på et vindutsatt sted. Sterk vind påvirker grillens effektivitet.
- Grillen må ikke under noen omstendigheter modifiseres. Forseglede deler fra fabrikk eller forhandler må ikke endres av bruker.
- Bruk ikke grillen under brennbare konstruksjoner.
- Hold tilstrekkelig avstand til brennbart materiale, minst 0,5 meter bak grillen og 0,5 meter til begge sider. Samme avstand anbefales til vinyl- og glasspaneler.
- Gasslangen må ikke komme i kontakt med varme flater under bruk og oppbevaring.
- Gassflasken må kobles av når grillen ikke brukes.
- Når gassflasken er påmontert, må grill og flaske oppbevares ute i ventilert område.
- Hvis grillen skal oppbevares innendørs, må flasken kobles fra grillen og oppbevares utendørs i godt ventilert område. Flasken må ikke oppbevares i garasje eller annet lukket område.
- Sjekk slangen før hver bruk. Er det tegn til skraper, slitasje eller kutt på slangen må den byttes før bruk. Sørg for at det kun brukes slanger som er godkjent for formålet.
- Oppbevar aldri ekstra gassflasker under eller nær grillen.
- Legg ikke slangen under dryppannen. Sørg for tilstrekkelig avstand til bunnen av grillkassen.
- Ta lekkasjetest før bruk, årlig og ved ethvert bytte av gassrelaterte komponenter.
- Følg instruksjonen ved tenning av grillen.
- Ikke tenn brennere med grilllokket nede.
- Voksne og spesielt barn bør gjøres oppmerksom på farene ved varme overflatetemperaturer. Små barn bør holdes under oppsyn nær grillen.
- Hold grillen under konstant oppsyn under bruk.
- Ikke flytt grillen når den er i bruk eller varm.
- Hold elektriske kabler og gasslange unna varme overflater.
- Se etter at flammestemmerne (hvis medfølger), er riktig plassert.
- Rens dryppanne og flammestemmer regelmessig for å unngå opphopning og mulig brann i fett.
- Bruk ikke vann, øl eller andre væsker for å stoppe en oppflamming.
- Det må ikke brukes høytrykkspyler ved vask av grillen.
- Denne grillen er ikke ment for kommersiell bruk.
- Denne grillen er ikke ment som og bør aldri brukes som varmer.

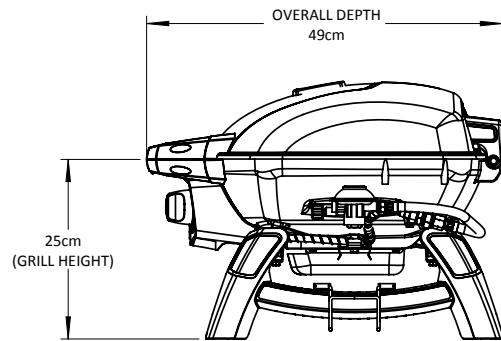
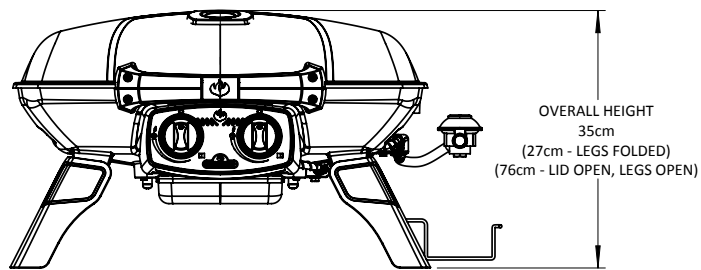
NO

# DIMENSJONER



## TQ285 GRILL

GRILL SIZE: 37 cm X 54 cm (IRREGULAR) = 1840 cm<sup>2</sup>  
ALL DIMENSIONS ARE APPROXIMATE



NO

## Håndteres med forsiktighet.



**FORSIKTIG!** Vær forsiktig når du bruker eller transporterer din grill for at unngå skade og forskyving av indre komponenter. Selv om denne grillen er laget med tanke på å kunne ta denne med seg så vil røff håndtering eller feil bruk føre til skade eller forskyving av indre komponenter, som igjen fører til at grillen ikke fungerer som den skal.



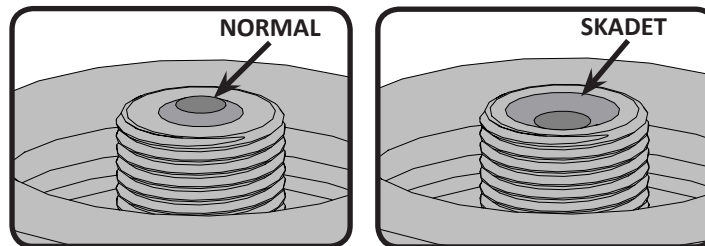
### Korrekt avfalls håndtering av dette produktet

Denne merkingen angir at dette produktet ikke skal kastes sammen med annet husholdningsavfall i hele EU. For å hindre mulig skade på miljøet eller menneskelig helse fra ukontrollert avfallshåndtering, resirkuler det ansvarlig for å fremme bærekraftig gjenbruk av materielle ressurser. For å returnere en brukt enhet, kan du bruke retur og innsamlingsystemer eller ta kontakt med forhandleren der produktet ble kjøpt. De kan ta imot dette produktet for miljø trygg resirkulering.

## Gassbeholder

Bruk kun godkjente beholdere som møter de nødvendige krav. For optimalt resultat må man benytte propangass. Engangsbeholdere må møte EN417 standard og være utstyrt med Lindal selvforsegrende ventil. Beholderne må ha en kapasitet på mellom 430g og 460g. Beholderne må være fylt med enten propan eller en propan/butan miks.

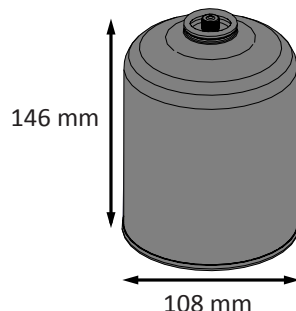
- Sjekk regulatorens gummi o-ring. Er den ødelagt må regulatoren byttes
- Bruk aldri en gassbeholder som ikke er godkjent.
- Engangsbeholdere med gass må alltid oppbevares ved siden av grillen i oppreist stilling ved hjelp av medfølgende brakett.
- Ikke oppbevar ekstra beholdere rett ved en grill i bruk. Beholderne må ikke utsettes for ekstrem varme eller direkte sollys.
- Beholderen må ikke strammes for hardt på grillen. Det kan skade regulatoren eller koblingen til beholderen. Dette kan forårsake lekkasje eller begrense strømmen av gass til grillen.



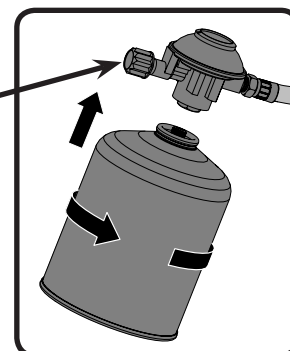
**ADVARSEL!** Støvhetten bør være på når beholderen ikke er i bruk for å hindre smuss i ventilen.  
**ADVARSEL!** Les instruksjonen på beholderen før bruk. En skadet eller rustet beholder kan være farlig. Ikke bruk beholderen hvis det er rustflekker eller metallpartikler i koblingsområdet.

**Tilkobling av beholder:** Sørg for at regulatorslanger ligger fritt. At beholderen er riktig plassert som betyr at gassen først strømmer når den er korrekt koblet. Fjern beskyttelsekappen fra beholderen. For å koble til beholderen, skru den med klokken på regulatoren. Bruk kun håndmakt, aldri verktøy.

Ta lekkasjetest på alle koblinger før bruk. Lekkasjetest må utføres årlig, hver gang en beholder har hengt seg opp eller det er byttet gassrelaterte deler. Engangsbeholdere må sikres på siden av grillen i oppreist stilling ved hjelp av medfølgende brakett. Dette vil hindre at flytende propan/butan når regulatoren, noe som vil kunne medføre overtenning og skade på regulatoren.



\* Regulator Valve



\* Sørg for at regulator knotten er lukket med hånd



### ADVARSEL!

- Ikke før slangen under dryppannen.
- Sørg for at alle koblinger er strammet ordentlig. Ikke bruk Teflontape på noen slangekoblinger.
- Sørg for at slangen ikke kommer i kontakt med varme overflater. Den kan smelte og forårsake brann.

## Gaslange

- Hvis ikke slange og regulator er inkludert fra fabrikk, sørg for at det kun brukes slanger og regulatorer som er godkjent for bruken.
- Se etter at slangen ikke kommer i kontakt med varmt mat søl, fett, eller andre varmekilder på grillen.
- Sjekk slangen regelmessig. Ved skader eller slitasje må slangen skiftes før bruk.
- Slangen skal ikke være lenger enn 1,5 meter.
- Vær oppmerksom på at slangen skal løpe fritt uten vridninger eller knekk ved montering.
- Bytt slangen innen utløpsdato.

## Tekniske data

Følgende tabell oppgir inngangsverdier for grillen.

Brenner	Åpningsstørrelse		(Gross) Varme inntak (Totalt)		Gass forbruk (Totalt)	
	I	II	I	II	I	II
	#69 (0.74 mm)	#73 (0.61 mm)	4.1kW	4.1kW	301 g/t	301 g/t

Godkjente gasser/trykk – Sjekk at beholderne er i henhold til spesifikasjoner.

Gass Kategori	I 3B/P(30)	I 3+(28-30/37)	I 3B/P(50)
Åpningsdiametre (se ovenfor)	I	I	II
Gasser / press	Butan og Propan på 30mbar	Butan 28-30mbar Propan 37mbar	Butan og Propan på 50mbar
Landene	BE, BG, CY, DK, EE, FI, FR, GB, HR, HU, IS, IT, LT, LU, MT, NL, NO, RO, SE, SI, SK, TR	BE, CH, CY, CZ, ES, FR, GB, GR, IE, IT, LT, LU, LV, PT, SK, SI	AT, CH, DE, SK

Gjør ikke modifiseringer eller inngrep på regulatoren. Bruk kun regulatorer som gir det trykket som nevnt i tabellen over. Ved bytte, bruk kun regulatorer spesifisert av produsent.

## Bruk av bordmodell.

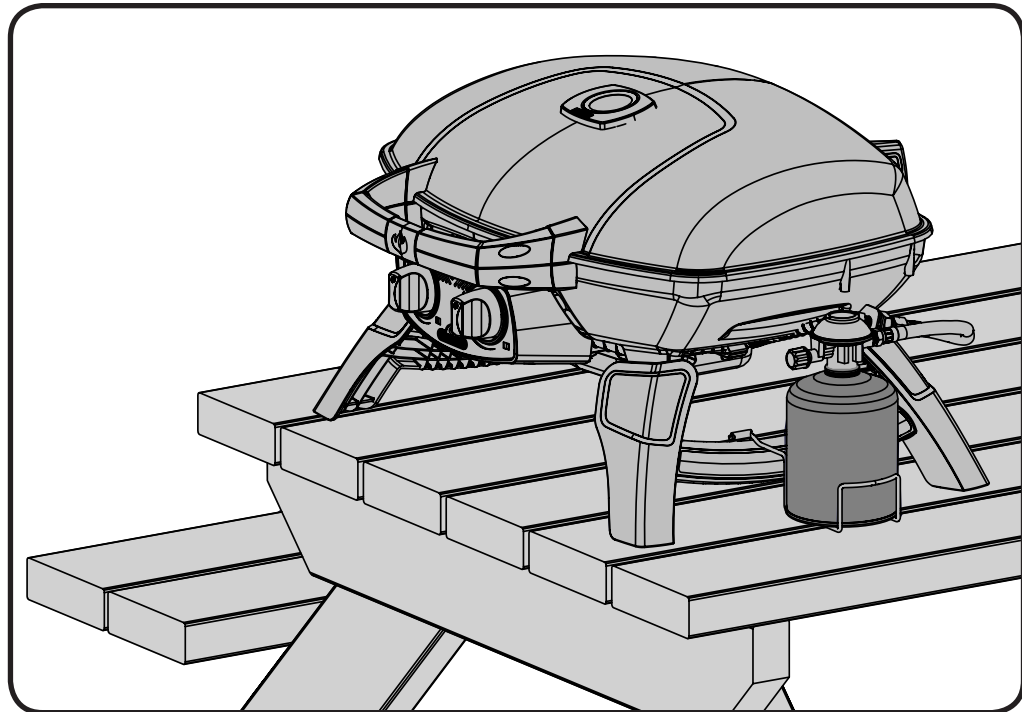
TQ285/PRO285 er laget med tanke på mobilitet. Med sammenleggbare bein kan TQ285/PRO285 plasseres på de fleste bordplater. Beina felles ut og låses på plass for bruk og felles inn igjen når den skal fraktes videre.



**ADVARSEL!** Beina må være brettet ut på begge sider under bruk.



**ADVARSEL!** Ikke bruk grillen på plast, harpiks eller glassoverflater.



NO

## GASSLEKKASJE SJEKK INSTRUKSJONER



**ADVARSEL!** Ta alltid en gasslekketest når gassbeholderen har vært frakoblet eller ved bytte av noen gasskomponenter.



**ADVARSEL!** Bruk ikke åpen flamme for å sjekke om det er noen gasslekkasjer. Pass på at det ikke finnes gnister eller åpne flammer i området mens du sjekker for lekkasjer. Gnister eller åpne flammer kan resultere i brann eller en eksplosjon som kan medføre alvorlig personskade eller død.



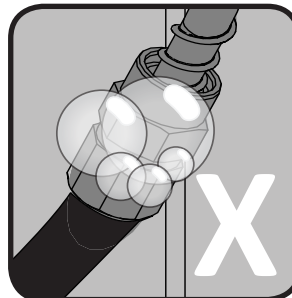
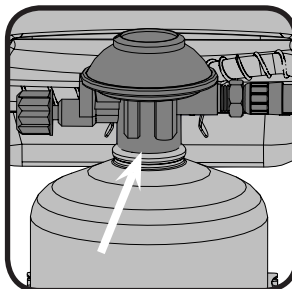
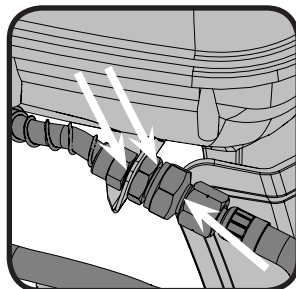
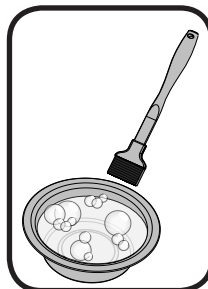
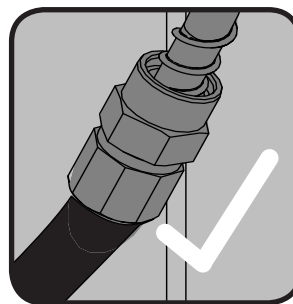
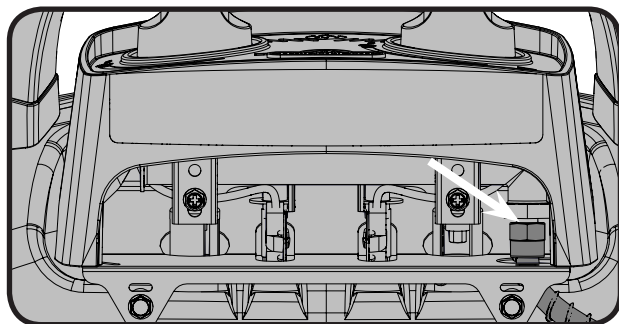
**Lekkasje test:** Må alltid utføres ved førstegangs bruk/lagringsperiode, og bytte av noen gasskomponenter. Ikke røyk under gasslekkasje sjekken og fjern alt brennbart materiale. Les Diagrammet for lekkasjetesten for å se hvilke område som må sjekkes. Pass på at alle bryterne til brennerne er slått av. Åpne beholderventilen.



Halvbland såpe/vann og fukt godt alle skjøtene, koblinger på regulatorene, slange, grenrør og ventiler. Hvis det oppstår bobler er det en lekkasje. Hvis det er lekkasje:



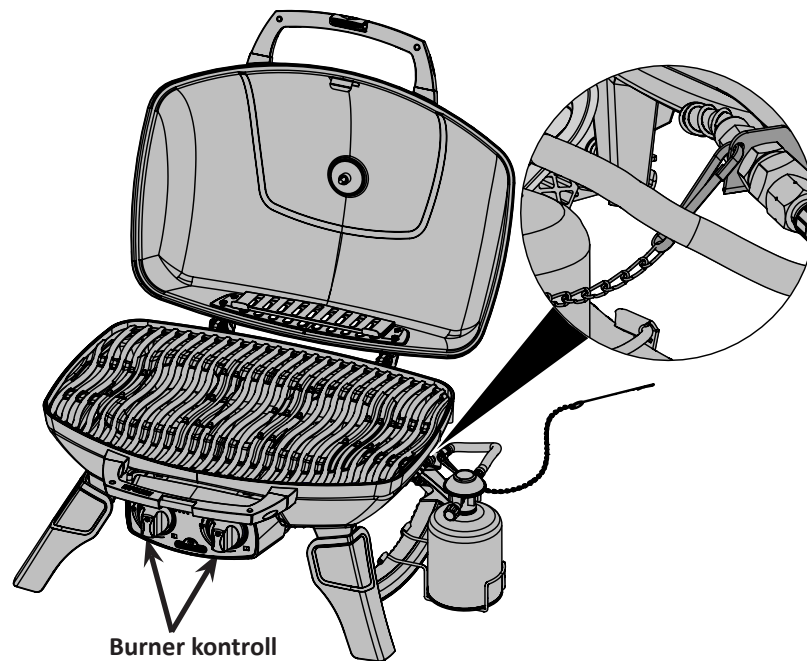
Skru av gassen og fastskru forbindelsen eller bytt ut delen med en ny del anbefalt av en på Napoleons kundesenter eller la en autorisert gass installatør kontrollere gassgrillen. Hvis det fortsatt lekker, koble umiddelbart fra gassen og la en autorisert installatør kontrollere grillen. Ikke bruk grillen før lekkasjen er rettet opp.



NO



# Belysnings Instruksjoner



**ADVARSEL!** Ha lokket åpent.

**ADVARSEL!** Sjekk at begge brennerne står i av posisjon. Koble til gassen.

NO

## Tenning av brennere

1. Åpne lokket på grillen.
2. Trykk inn og vri kontrollknotten til den brenneren du ønsker å tenne rolig til "HIGH" posisjon. Dette vil antenne valgte brenner.
3. Hvis brenneren ikke tenner, vri kontrollknotten tilbake til "OFF" posisjon umiddelbart og prøv trinn 2 igjen. Gjenta flere ganger om nødvendig.
4. Om brenneren ikke tenner innen 5 sekunder, vri kontrollknotten til "OFF" posisjon og vent 5 minutter for å la overskytende gass forsvinne. Gjenta enten trinn 2 og 3, eller tenn med fyrstikk.
5. Hold fyrstikken ned mot brenneren og vri kontrollknotten for å antenne gassen.



## Grill instruksjoner



**ADVARSEL!** Ikke bruk grillen under markiser Hvis ikke disse instruksene følges kan det oppstå brann eller personskade.



**FARE!** Ikke sett grillen til lagring eller transport direkte etter bruk, vent til grillen har blitt kald. Hvis ikke kan det medføre skade på bygninger, personskader eller død.

**Første tenning:** Når grillen tennes for første gang avgir den en lett fremmed duft. Dette er en helt normal tilstand som kommer av innbrenning av indre farger og smøremidler som har blitt brukt under produksjon og kommer ikke til å oppstå igjen. Bare kjør hovedbrennerne på høy omtrent en halvtime.

**Bruk av hovedbrenner:** Vi anbefaler å forvame grillen før bruk ved å sette på alle hovedbrennerne i High-posisjon med lokket lukket i ca. 10 minutter. Mat tilberedt for korte perioder av gangen (fisk, grønnsaker) kan bli grillet med lokket åpent. Matlaging med lokket lukket vil sikre høyere og mer stabil temperatur som kan redusere steketiden og steker kjøtt mer jevnt. Mat som har en steketid på lengre enn 30 minutter (stek, kan tilberedes indirekte (for brenneren tennes motsatt til mat plassering). Når du tilbereder svært magert kjøtt, for eksempel kyllingbryst eller magert svinekjøtt, kan ristene oljes før forvarming å redusere heft. Steking av kjøtt med en høy grad av fettinnholdet kan skape stikkflammerups. Enten trimme fett eller redusere temperaturen å hindre dette. Skulle en oppblussing må maten flyttes vekk fra flammene og redusere varmen. La lokket åpent. Se Din All Season Grill kokebok av Napoleon for mer detaljerte instruksjoner.

## Rengjørings instruksjoner.



**ADVARSEL!** Bruk alltid vernehansker og vernebriller når du rengjør grillen.



**ADVARSEL!** For å unngå brannskader, bør vedlikehold gjøres når grillen er kald. Unngå ubeskyttet kontakt med varme overflater. Sørg for at alle brennere er slått av. Rengjør grillen i et område hvor rengjøringsmidler ikke vil skade terrassegulv, gressplendek, eller annen uteplass.. Ikke bruk ovnsrens/stekeovnsrens til å rengjøre delene av gassgrill. Ikke bruk en selvrensende ovn til å rengjøre grillrist eller andre deler på gassgrillen. Barbecue saus og salt kan være etsende og vil føre til raskere forringelse av gassgrill komponentene med mindre de rengjøres regelmessig.



**Merk:** Rustfritt stål har en tendens til å oksidere eller få flekker i nærvær av klorider og sulfider. Særlig under røffe klimaforhold og andre tøffe miljøer. Som for eksempel i varm og svært fuktig atmosfære rundt bassenger og badestamper. Disse flekkene kan oppfattes som rust, men kan fjernes eller forhindres. Vask alle overflater i rustfritt stål hver 3-4 uker, eller så ofte som nødvendig med ferskvann og / eller stållrens.

**Grillrist i støpejern:** Grillrister i støpejern gir et uovertruffent varmeopptak og varmfordeling. Ved jevnlig vedlikehold av grillristene gir du risten et beskyttende lag som hjelper mot rust og gjør "slipp lett" effekten bedre.

**Første gangs bruk:** Vask ristene for hånd med mildt såpevann for å fjerne eventuelle rester fra produksjon. Vask aldri støpejernrister i oppvaskmaskin. Rens grundig med varmt vann og tørk helt med en myk klut. Tørkingen er viktig for å hindre fukt i å angripe støpejernet.

**Sesongmessig:** Bruk en myk klut og gni vegetabilsk olje over hele risten. Sørg for at alle deler blir dekt. Ikke bruk saltholdig materiale som smør eller margarin. Forvarm grillen i 15 minutter, sett så ristene i grillen. Sett styrken til medium med lukket lokk. La ristene stå i grillen i ca. en halv time. Skru av alle brennerne og stopp gasstilførselen. La ristene avkjøle i grillen. Denne prosedyren bør gjentas flere ganger i løpet av sesongen, men er nødvendig hver gang.

**Daglig:** Før forvarming og børstning med messingbørste, påfør vegetabilsk olje på hele overflaten. Forvarm så grillen og børst bort uønskede rester med messingbørste.

**Rengjøring på innsiden av gassgrillen:** Ta bort grillristen. Bruk en stålbørste til å løsne bøss fra støpesidene og under lokket. Børst all bøss fra innsiden av grillen ned i den flyttbare drypppannen.

**Dryppanne:** Oppsamlet fett er en brannfare. Rengjør dryppannen regelmessig for å unngå at det bygger seg opp med fett. Overflødig fett rinner ned i dryppannen som ligger under gassgrillen og samles der. For å rengjøre dryppannen trekkes den ut fra gassgrillen. Fyll aldri dryppannen med aluminiumsfolie, sand eller annet materiale da dette kan hindre fett fra å renne ned i pannen..Pannen kan skrapes med en sparkel eller skrape.



**OBS!** Pass på at dryppannen er tom og ren før du setter grillen på høykant.

**Rengjøring av Ytre Grill Overflaten:** Ikke bruk slipende rengjøringsmidler eller stålull på malt emalje eller rustfrie stål deler av Napoleon Grill. Dette vil kunne ripe finishen. Utvendige grill overflater bør rengjøres med varmt såpevann mens metallet fortsatt er litt varmt å ta på. Fett og nye organiske flekker fjernes bakteriologisk ved ca. +67 grd.Celsius. For å rengjøre rustfrie flater: Bruk en rustfri Stålrens eller et ikke-slipende rengjøringsmiddel som egner seg for rustfritt stål. Tørk alltid i stålets "fiber" retning. Over tid blir rustfrie ståldeler misfarget ved oppvarming. Vanligvis til en gylden eller brun fargetone. Denne misfargingen er normal og påvirker ikke ytelsen til grillen.

Porselen emaljerte komponenter må håndteres med ekstra omsorg. De emaljerte flatene er ofte påstøpt et annet egnet underlag, glassaktige og kan få skader og krakeleringer(sprekkdannelse) eller skader allerede ved lette slag. Du kan få kjøpt emaljeforsterker fra din Napoleon Grill forhandler.

## Vedlikehold Instruksjoner

Vi anbefaler at denne gassgrillen bli grundig kontrollert og vedlikeholdt årlig av en kvalifisert fagperson. Pass på alltid at det ikke finnes brennbart materiale som bensin eller andre brennbare gasser og væsker i området rundt gassgrillen. Ikke begrens eller blokker ventilasjonen og forbrenningsluften.



**ADVARSEL!** Bruk alltid vernehansker og vernebriller når du rengjør grillen.



**ADVARSEL!** Slå av gassen ved kilden og koble fra enheten før service. For å unngå muligheten for brannskader, bør vedlikehold gjøres bare når grillen er kald/avkjølt. En lekkasjetest må utføres hvert år og hver gang komponentdeler i gasskjeden er byttet ut eller når gasslukt er til stede.



**Brenner:** Brenneren er laget i sterk 304 rustfritt stål, men ekstrem varme og utvendige elementer kan gi overflaterust. Denne kan fjernes med messingbørste.

**ADVARSEL!** Se opp for edderkopper.



Edderkopper og andre insekter tiltrekkes av lukten av naturgass og propan. Brennerne er utstyrt med insektsnett ved inntaket, noe som reduserer faren for at insekter bygger rede i brenneren, men det kan likevel forekomme. Insektrede eller spindelvev kan gjøre at brenneren brenner med en svakt gul eller oransje farge, eller det kan føre til at flammen slår tilbake ut av luftinntaket under kontrollpanelet. For å rengjøre innsiden av brenneren, må den demonteres fra grillen:

Fjern skruene som fester avstandsholderen og brenneren til basen. La brenneren gli bakover og opp for å frigjøre. Rensing: Bruk en myk flaskebørste for å rense inni brenneren. Rist ut eventuelle løse rester gjennom inntaket for gassen. Sjekk brennerhullene og ventilområdet for blokkeringer. Brennerhull kan tettes over tid på grunn av matrester og rustpigmenter. Bruk en binders for å fjerne blokkeringer. Hullene er lettere å rense når brenneren er fjernet fra grillen, men det kan også gjøres mens brenneren er montert.

**ADVARSEL!** Pass på å ikke forstørre hullene i brenneren.

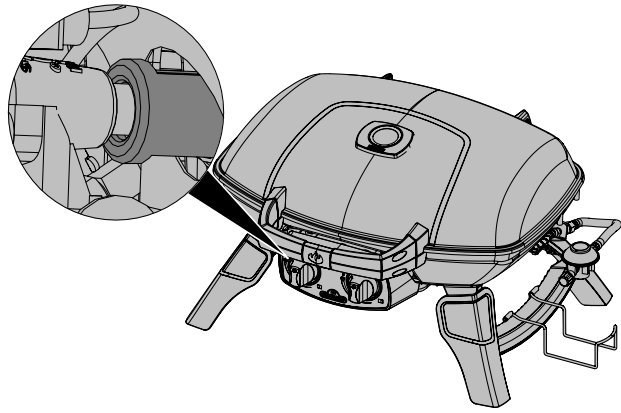
Sørg for at insektsnettet er rent og sitter stramt.

**Reinstallasjon:** Reverser prosedyren for å sette brenneren tilbake på plass. Pass på at ventilen entrer brenneren ved installasjonen. Sett avstandsholderen på plass og stram skruene for å fullføre reinstallasjonen.

NO



**ADVARSEL!** Når du installerer brenneren etter rengjøring, er det svært viktig at ventilen / åpning står tilsluttet i brenneråpningen før du tenner gassgrillen. Dersom ventilen ikke står inne i brennrøret Kan brann eller eksplosjon oppstå!



**ADVARSEL!** Slange: Se til at koblingspunktene i begge ender av slangen er forsvarlig festet før montering til gasskilden og kontroller at koplignene er lekkasjefrie. Kontroller slitasje, smeltemerker på slangen, kutt, og/eller sprekker i slangen. Hvis en eller flere av disse anmerkningene forefinnes, må du ikke bruke gassgrill. Få delen byttet ut fra din Napoleon Gass Grill forhandler eller kvalifisert gass installatør.

# Problemløsning

Problem	Mulig årsak	Løsning
Lav varme/ Liten flamme når ventilen er skrudd på høy.	Blokkering av gass. Ikke riktig forvarming.	Se etter edderkoppnett i brenneren eller åpningen. Forvarm grillen med hovedbrenneren på høy i 5 til 10 minutter.
Veldig stor eller ujevn flamme.	Ikke riktig forvarming. Veldig mye fett og aske har bygd seg opp i aske/dryp - pannen.	Forvarm grillen med begge hovedbrennerene på høy i 5 til 10 minutter. Rengjør dryppannen jevnlig. Ikke kle pannen med aluminiumsfolie. Se rengjøringsinstruksjoner.
Brennerne brenner med gul flamme samtidig som det lukter gass.	Mulig edderkoppnett eller annen bøss, eller mulig misforhold luft/gass.	Ta ut brenneren og rengjør den grundig. Se generelle vedlikeholdsinstruksjoner. Hvis ikke problemet løses må det tas kontakt med forhandler.
Flammene «flyr» bort fra brenneren, sammen med gassluk og er vanskelig å tenne.	Mulig misforhold luft/gass.	Ta kontakt med forhandler.
Brenneren vil ikke tenne med tenneren men tenner med en fyrstikk.	Jet-fire åpningen er full av bøss eller er tett..	Rengjør Jet-fire åpningen med en myk børste.
Maling ser ut til å flasse av på innsiden av lokk eller hette.	Fett ser ut til å bygge seg opp på innsiden av lokk eller hette.	Dette er ikke en feil på finishen. Det flasser ikke av. Det som flasser av er fastbrent fett som ser ut som malingsflak.
Får liten effekt når brenneren er skrudd på høy. ( Brummende lyd og flakkende blå flamme på overflaten på brenneren).	Tomt for gass. Gaslangen er i klem. Skitten eller tett åpning. Edderkoppnett eller andre ting i røret til brennerens flammeåpning.	Sjekk gassnivå i gasstanken. Endre plassering av gaslangen. Rengjør åpningen i brenneren. Rens ut av røret i brennerens flammeåpning.
Summende regulator.	Helt normalt på varme dager.	Dette er ikke en feil. Det er forårsaket av interne vibrasjoner i regulator og påvirker ikke ytelsen eller sikkerheten til gassgrill. Summende regulatorer vil ikke bli erstattet.

**NO**

**TA VARE PÅ DIN KVITTERING SOM ET BEVIS FOR DITT INNKJØP FOR Å  
BEKREFTE DIN GARANTI**

## Bestilling av reservedeler

### Garantiinformasjon

MODELL: \_\_\_\_\_

DATO FOR KJØP: \_\_\_\_\_

SERIENUMMER: \_\_\_\_\_

### ***(Registrer informasjon her for enkel referanse)***

Før du kontakter kundeløsninger, sjekk Napoleons nettside for mer omfattende instruksjon om rengjøring, vedlikehold, feilsøking og utskifting av deler på [www.napoleongrills.no](http://www.napoleongrills.no) Ta direkte kontakt med din lokale forhandler eller der du har kjøpt grillen for reservedeler og garantikrav.

For å behandle et krav trenger vi følgende informasjon:

1. Modell og serienummer på enheten.
2. Del nummer og beskrivelse.
3. En kortfattet beskrivelse av problemet («ødelagt» er ikke tilstrekkelig).
4. Kjøpsbevis (kopi av fakturaen).

I noen tilfeller kan vår kundeløsninger representant be om at delene returneres til fabrikken for kontroll innen du får en ny reservedel.

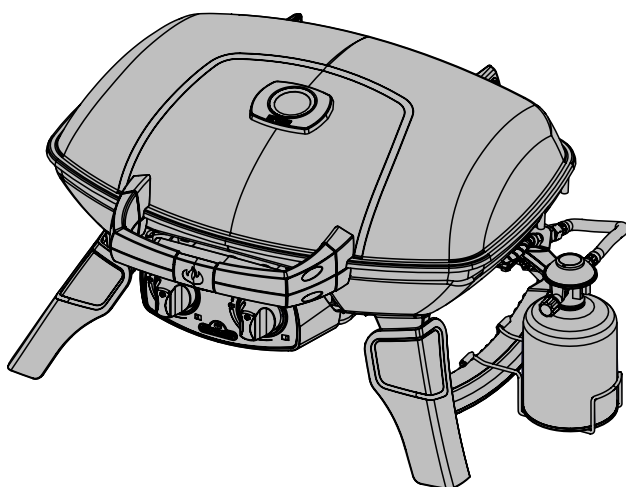
Delene må sendes med forhåndsbetalt frakt til kundeløsninger avdelingen med følgende informasjon :

1. Modell og serienummer på enheten.
2. Del nummer og beskrivelse.
3. En kortfattet beskrivelse av problemet («ødelagt» er ikke tilstrekkelig).
4. Returnnummer som du får fra vår kundeløsninger.

Før du kontakter kundeløsninger, vær oppmerksom på at følgende ikke dekkes av garantien:

- Kostnad for transport, avgifter og eksportavgifter.
- Arbeidskostnader for fjerning og reinstallerings.
- Kostnader for( «service samtale) for å finne ut hva som er problemet.
- Misfarging av deler i rustfritt stål.
- Feil som har oppstått på grunn av manglende renhold og vedlikehold eller bruk av feil rengjøringsmidler. (ovn rens).

Denne grill må kun benyttes udendørs – og ikke i et område uden god ventilation eller indendørs i udestue eller andet lukket rum.



**TQ285**



### **FARLIGT**

#### **HVIS DU LUGTER GAS**

- Luk for gassen til grillen
- Sluk for alt åben ild.
- Låget åbnes
- Hvis lugten fortsætter skal fejlen rettes inden fortsat brug – kontakt evt. forhandler.



### **ADVARSEL**

Prøv ikke at tænde grillen uden at have læst afsnit om "Tænding" i denne vejledning.

Opbevar ikke benzin eller andre brandbare væsker i nærheden af denne grill eller lign produkter. En gasflaske som ikke er i brug bør opbevares separat og ikke i umiddelbar nærheden af grillen. Hvis advarsler i denne vejledning ikke følges kan det forårsage alvorlige ulykker og følgeskader på såvel ting som person.

DK

Til ejer af grillen: Gem denne vejledning til senere brug.



N415-0289CE-W MAR 27.18

Wolf Steel Europe BV  
Poppenbouwing 29-31, 4191 NZ Geldermalsen,  
CCI No. 51509970, THE NETHERLANDS  
[info@napoleongrills.nl](mailto:info@napoleongrills.nl)

[www.napoleongrills.com](http://www.napoleongrills.com)

# Napoleons 10 Års Garanti



NAPOLEON-produkterne er designet med komponenter og materialer i overlegen kvalitet, og er samlet af uddannede håndværkere, der er stolte af deres arbejde. Produkterne er blevet grundigt inspiceret af en kvalificeret tekniker inden emballering og forsendelse for at sikre, at kunden modtager det kvalitetsprodukt, der forventes af NAPOLEON.

NAPOLEON garanterer, at komponenter i dit nye NAPOLEON produkt vil være fri for defekter i materiale og udførelse fra købsdatoen og i følgende periode:

Støbt aluminium / rustfri stål .....	<b>10 års fuld dækning</b>
Låg i rustfri stål .....	<b>10 års fuld dækning</b>
Låg i emaljeret porcelæn .....	<b>10 års fuld dækning</b>
Låg i malet stål .....	<b>5 års fuld dækning + 10 år med 50% rabat</b>
Brænderør i rustfri stål .....	<b>5 års fuld dækning + 10 år med 50% rabat</b>
Grillriste i støbejern .....	<b>5 års fuld dækning + 10 år med 50% rabat</b>
Sear Plates i rustfri stål eller emaljeret porcelæn .....	<b>3 års fuld dækning + 10 år med 50% rabat</b>
Alle andre dele .....	<b>2 års fuld dækning</b>

#### \*Betingelser og begrænsninger

Denne garanti sikre en garantiperiode som angivet i ovenstående tabel for ethvert produkt, der købes via en autoriseret NAPOLEON-forhandler. Derudover giver garantien den oprindelige køber den angivne dækning for eventuelle komponenter, der er udskiftet inden garantiperioden udløber. Kontakt NAPOLEON Danmark eller en autoriseret NAPOLEON-forhandler, for at erstatte komponenter eller grill, der har fejl eller er blevet beskadiget under normal privat brug, som følge af en fabriksfejl. Livstid med 50% rabat, som angivet i tabellen ovenover, betyder at komponenterne stilles til rådighed for køberen hvor der trækkes 50% af prisen fra den faste pris for komponenterne i den angivne periode. Denne garanti dækker ikke tilbehør eller bonusartikler.

Betydningen af "normal privat brug" af et produkt: Produktet er installeret i overensstemmelse med installationsmanualen til produktet. Alle lokale samt nationale bygge- og brandkoder er blevet overholdt og har ikke været anvendt som en fælles facilitet eller i en kommerciel sammenhæng.

Fejl eller beskadigelser omfatter ikke: overophedning, udblæsninger forårsaget af miljømæssige forhold som kraftig vind eller utilstrækkelig ventilation, ridser og buler, forringelse af malede og forgyldte overflader, misfarvning forårsaget af varme, slibemidler eller kemiske rengøringsmidler eller UV-eksponering, afskalning af porcelæns emaljerede dele eller skader forårsaget af misbrug, ulykke, hagl, smørrebrande, manglende vedligeholdelse, fjendtlige miljøer som salt eller klor, forsmøkkelse eller dele installeret fra andre producenter. Skulle forringelse af dele forekomme i graden af manglende ydeevne (rustet igennem eller brændt igennem) inden for garantiperioden, vil der blive udleveret en udskiftningskomponent.

Ifølge dette garantibevis er NAPOLEON Danmarks eneste ansvar udskiftningskomponenten; under ingen omstændigheder vil NAPOLEON være ansvarlig for installation, arbejdskraft eller andre omkostninger og udgifter i forbindelse med geninstalleringen af en berettiget komponent. NAPOLEON står heller ikke til ansvar for påløbende, deraf følgende, eller indirekte skader eller for nogen transportomkostninger, omkostninger til arbejdskraft eller eksport afgifter.

Dette garantibevis er givet til dig som et supplement til de rettigheder, der er givet til dig af den danske lovgivning. Således pålægger dette garantibevis ikke nogen forpligtelser til, at NAPOLEON Danmark skal have delene på lager. Baseret på om delene er tilgængelige, har NAPOLEON Danmark rettigheden til at afvikle alle forpligtelser ved at fremskaffe kunden en forholdsmæssigt beregnet kredit mod købet af et nyt produkt. I overensstemmelse med garantibeviset må NAPOLEON Danmark efter det første år vælge at afvikle alle forpligtelser ved at tilbagebetale kunden engrosprisen på enhver berettiget men defekt vare.

Kunden skal kunne fremvise salgskvitteringen for købet eller en kopi heraf, sammen med et serienummer og et modelnummer, hvis garantibeviset fra NAPOLEON Danmark anvendes.

NAPOLEON Danmark forbeholder sig ret til at få en repræsentant til at inspicere produktet eller delen, før NAPOLEON Danmark hæfter for et garantibevis. Du skal kontakte NAPOLEON Danmarks kundeservice eller en autoriseret NAPOLEON Danmark forhandler før garantibeviset dækker.

DK



napoleongrills.com



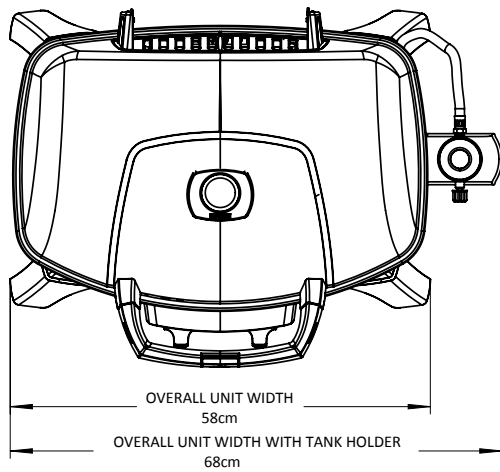


**ADVARSEL!** Undlader man at følge denne vejledning kan forårsage alvorlig skade på ting og person. Læs og følg alle advarsler og vejledninger i denne brugsanvisning inden grillen tages i brug.

## Sikker brug af gasrill

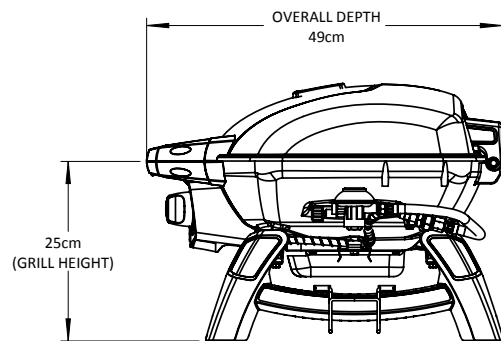
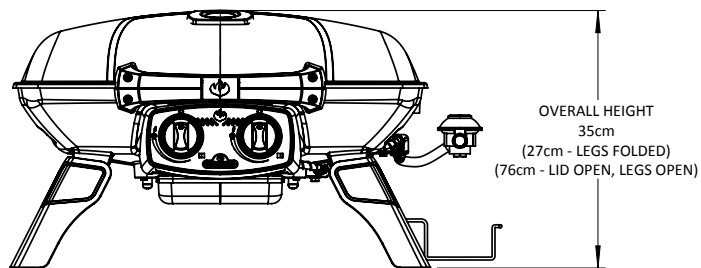
- Denne grill skal samles i nøje overensstemmelse med denne vejledning. Hvis grillen er købt samlet skal man selv kontrollere at den er samlet som beskrevet og gennemføre den beskrevne lækagetest inden at grillen tages i brug.
- Læs hele brugsanvisningen inden at grillen tages i brug.
- Denne gasgrill må kun benyttes udendørs i et velventileret område, og ikke indendørs i bygning, garage, udestue eller andre lukkede områder.
- Denne gasgrill er beregnet til brug med almindelig flaskegas.
- Sæt ikke grillen i områder med stærk vind. Kraftig vindpåvirkning af grillen vil have indflydelse på effekten af grillen.
- Under ingen omstændigheder må der ændres på grillen. Dele påsat af fabrikken, aut. serviceforhandler må ikke ændres af bruger.
- Brug ikke grillen under brandbare konstruktioner.
- Hold altid grillen i sikker afstand til brandbare materialer. Hold ekstra afstand til glasarealer o.lign.
- Gasslange skal placeres på en sådan måde at den ikke kan komme i kontakt med varme flader, eller kan beskadiges ved opbevaring/transport.
- Tilslutning til gasflaske bør afmonteres når grillen ikke er i brug.
- Når gasflasken er tilsluttet til grillen, bør såvel gasgrill som gasflaske være placeret udendørs i velventileret område.
- Når grillen skal opbevares indendørs, skal gasflasken afmonteres og placeret udendørs i et velventileret område, uden direkte adgang for børn. Gasflaske bør ikke opbevares indendørs i lukket rum.
- Gasslange bør kontrolleres inden brug. Hvis gasslange på nogen måde er slidt eller beskadiget skal den udskiftes med ny godkendt slange inden grillen tages i brug igen.
- Opbevar aldrig en ekstra gasflaske under grillen eller i nærheden af denne.
- Gasslange må ikke føres under drypbakke – hold sikker afstand .
- Lækagetest bør foretages inden ibrugtagning, med jævne mellemrum eller når der er sket udskiftning af dele på grillen.
- Følg nøje vejledning om optænding af grillen.
- Tænd ikke grillen med låget lukket.
- Voksne og specielt børn skal være opmærksom på faren ved de høje temperaturer. Specielt små børn bør nøje instrueres i nærheden af grillen.
- Grill i brug bør hele tiden være under overvågning.
- Grill som er i brug eller varm bør ikke flyttes.
- El-ledning eller gasslange skal holdes på sikker afstand af varme overflader.
- Vær sikker på at flametaimer (hvis leveret) er korrekt på plads.
- Rengør jævnligt fedtskål og flametaimer plader (hvis leveret) for fedtrest, for at undgå stikflammer fra fedtrest.
- Ved opflamning bør man ikke anvende vand, øl eller anden vædske for at kontrollere opflamning.
- Brug ikke højtryksrensere til rengøring af grillen eller dele heraf.
- Denne grill er ikke konstrueret til professionelt brug.
- Denne grill er ikke konstrueret til at skulle fungere som opvarmningskilde.

# MÅL



## TQ285 GRILL

GRILL SIZE: 37 cm X 54 cm (IRREGULAR) = 1840 cm<sup>2</sup>  
ALL DIMENSIONS ARE APPROXIMATE



DK

## Behandles med forsigtighed



**ADVARSEL!** For at undgå skade på grillen og dens dele er det nødvendigt at man behandler grillen med forsigtighed og omtanke. Selv om grillen er designet til at skulle transporteres vil en hård behandling kunne resultere i skade på grillen som kan påvirke dens funktion.



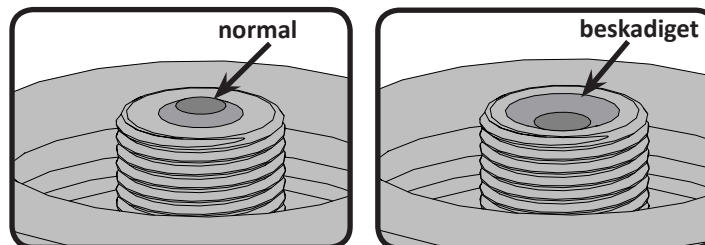
### Korrekt bortskaffelse af dette produkt.

Denne markering betyder at produktet ikke må bortskaffes med almindeligt husholdningsaffald. For at undgå ukontrolleret bortskaffelse som kan skade miljøet bør man undersøge hvorledes man mest hensigtsmæssigt bortskaffer produktet, således at det kan benyttes korrekt i genanvendelsesprocessen. Kontakt evt. lokale miljømyndig for at forhøre nærmere.

## Gasdåse

Brug kun gasdåser godkendt til brug til formålet og efter nationale regler. For maksimal ydelse bør grillen anvendes med propane gas. Gasdåsen skal være efter EN417 standard og være forsynet med Lindal selvlukkende ventil. Gasdåsen skal indeholde 430-460 g gas. Gastype skal være propan eller blanding af propan/butan gas.

- Undersøg gummi o-ring på regulator. Hvis der er skader skal regulator udskiftes.
- Brug aldrig en gasdåse som ikke er godkendt efter nationale bestemmelser.
- Gasdåsen skal altid være sikkert placeret ved grillen i holder som medfølger.
- En ekstra gasdåse må ikke opbevares i umiddelbart nærhed af grillen. Gasdåsen må ikke udsættes for speciel høje temperature eller for direkte solskin.
- Gasdåsen må ikke overspændes, da det kan skade forbindelsen til regulator og gasdåse. Det kan betyde utæthed eller forhindre korrekt passage af gassen.

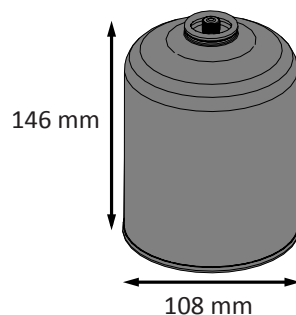


**ADVARSEL!** Når gasdåse ikke er i brug bør man forhindre snavs og støv i at blokere ventilen.

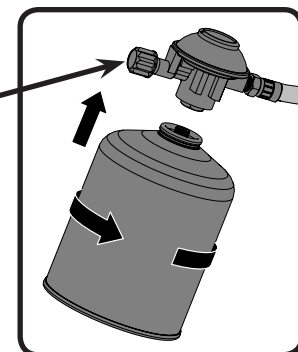
**ADVARSEL!** Læs brugsanvisning på dåsen inden den tages i brug. En bulet eller rusten gasdåse kan være farlig. Bortskaf gasdåse hvis den er tvivl om kvaliteten af den.

**Tilslutning til gasdåse:** Kontroller at slange til regulator ikke er med knæk. Gasdåsens ventil har en lukkeordning som betyder at gas ikke vil flyde ud inden korrekt påsætning af regulator. Fjern beskyttelsehætte på gasdåse. Herefter påsættes regulator til gasdåse ved at påskruer i urets retning. Stram med almindelig håndkraft – brug ikke værktøj !

Foretag lækagetest af alle forbindelser inden brug af grillen. Lækagetest skal foregå jævnlige, afhængig af brug, ved udskiftning af dele, eller når man skønner behov herfor. Gasdåse placeres på siden af grillen, i opret position i den medfølgende holder. Det betyder at man undgår u hensigtsmæssig udsivning af gas, som kan forårsage flammer, som kan beskadige regulator.



\*reguleringsventilen



\* Husk at reguleringsknappen på regulator er korrekt lukket (urets retning)

DK

**ADVARSEL !**

- Slange må ikke føres under drypbakke.
- Sørg for at bruge slangebånd til korrekt tilslutning – brug ikke tape eller lign.
- Slangen må ikke komme i kontakt med varme overflader, da den herved kan smelte og blive utæt med mulighed for ild.

## Gas slange

- Hvis slange og regulator ikke følger grillen, skal man sørge for at man kun benytter godkendte materialer til formålet (spørg forhandler)
- Sørg for at slangen ikke kommer i berøring med fedt eller andre varme stoffer, eller varme flader.
- Slangen kontrolleres jævnligt. I tilfælde af revner, slidtage eller beskadigelse skal slangen udskiftes omgående inden videre brug.
- Slangen bør max. være 1,5 m
- Sørg for at slangen er lige og uden knæk.
- Slangen bør skiftes inden den bliver defekt.

## Tekniske data

Nedenstående viser ydelse for grillen.

Dyse størrelse		(Gross) Ydelse (Total)		Gasforbrug (Total) Brænder	
I	II	I	II	I	II
#69 (0.74 mm)	#73 (0.61 mm)	4.1kW	4.1kW	301 g/hr	301 g/hr

Af typeskilt fremgår gastype/gastryk – bør kontrolleres inden brug

Gass Kategori	I 3B/P(30)	I 3+(28-30/37)	II 3B/P(50)
Mundingsstørrelser (se ovenfor)	I	I	II
Gases / Pressures	Butan og Propan på 30mbar	Butan 28-30mbar Propan 37mbar	Butan og Propan på 50mbar
Lande	BE, BG, CY, DK, EE, FI, FR, GB, HR, HU, IS, IT, LT, LU, MT, NL, NO, RO, SE, SI, SK, TR	BE, CH, CY, CZ, ES, FR, GB, GR, IE, IT, LT, LU, LV, PT, SK, SI	AT, CH, DE, SK

Der må ikke ændres på regulator. Brug kun godkendt regulator beregnet til denne model. Hvis man er tvivl bør man kontakte sin forhandler !

## Brug som bordgrill

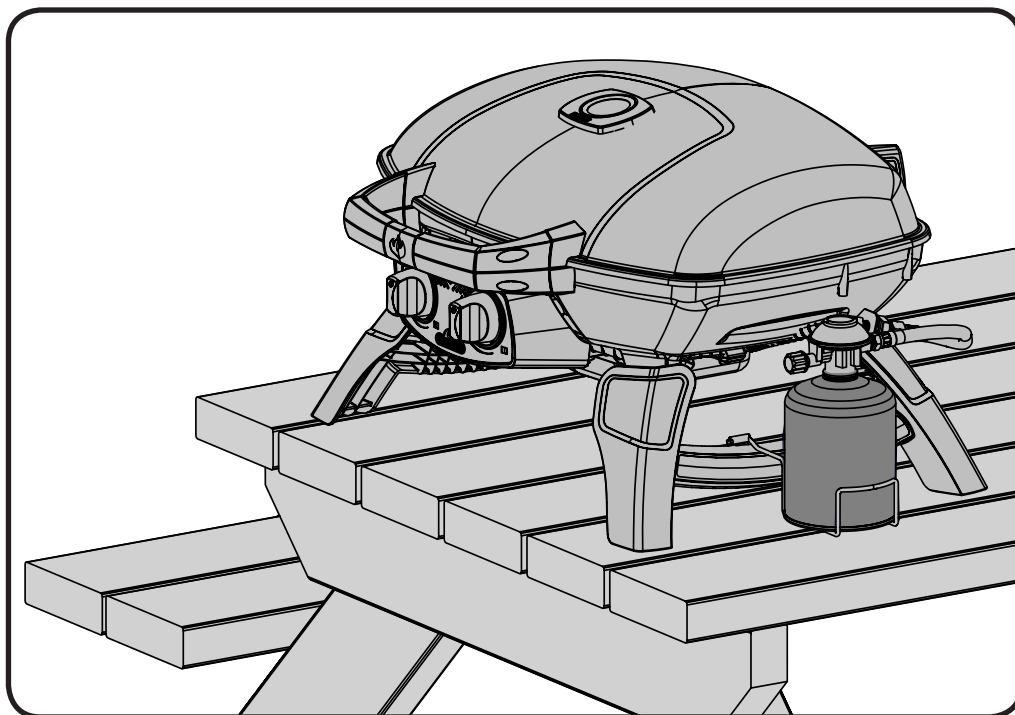
Model TQ285 er designet som en transportabel grill. Med sammenklappelige ben, kan model TQ285 anvendes på de fleste borde. Ben slås ud og låses på plads, og foldes tilbage i låst position ved transport.



**ADVARSEL !** Ben på begge sider af grillen skal slås ud under brug af grillen.



**DAVARSEL !** Brug ikke grillen direkte på overflader af plastic, træ eller glasflader.



DK

## Vejledning i lækagetest



**ADVARSEL!** En lækagetest skal gennemføres med jævne mellemrum og når dele eller flaske skiftes.



**ADVARSEL!** Brug aldrig åben ild til at teste for gasudslip. Sørg for at der ikke er gnist eller åben ild i det område hvor der testes for lækage. Gnister eller åben ild kan forårsage en eksplosion med fare for personer og omgivelser med alvorlige følger.



**Lækagetest:** Dette bør ske inden grillen tages i brug første gang, med jævne mellemrum og hver gang at grillen er eftersat eller dele udskiftet. Der må ikke rygges når denne test foretages, og fjern alle former for muligheder for antændelse. Se diagram for områder som bør lækagetestes . Alle kontrolknapper sættes på OFF. Der åbnes for gassen ved gasflaske.

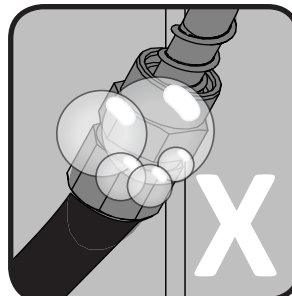
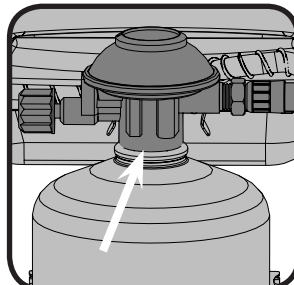
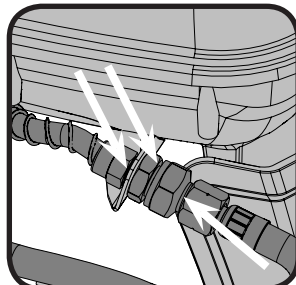
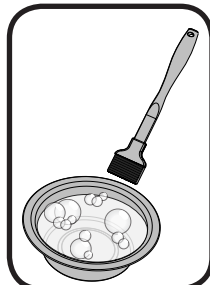
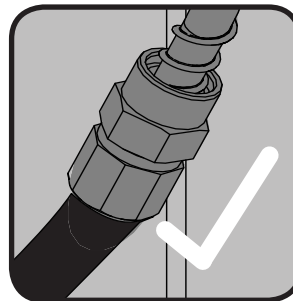
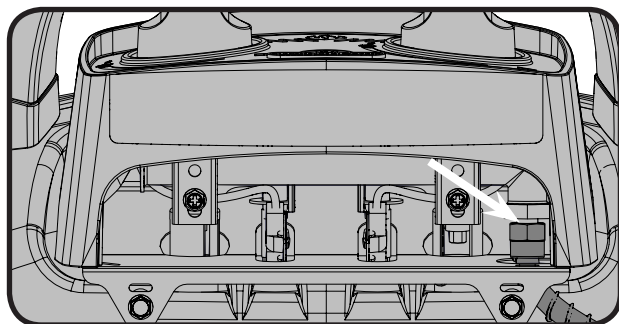


En blanding med 50/50 vand og sæbe påføres med børste på alle dele med gas – regulator, slange, gasrør, ventiler og samlinger.

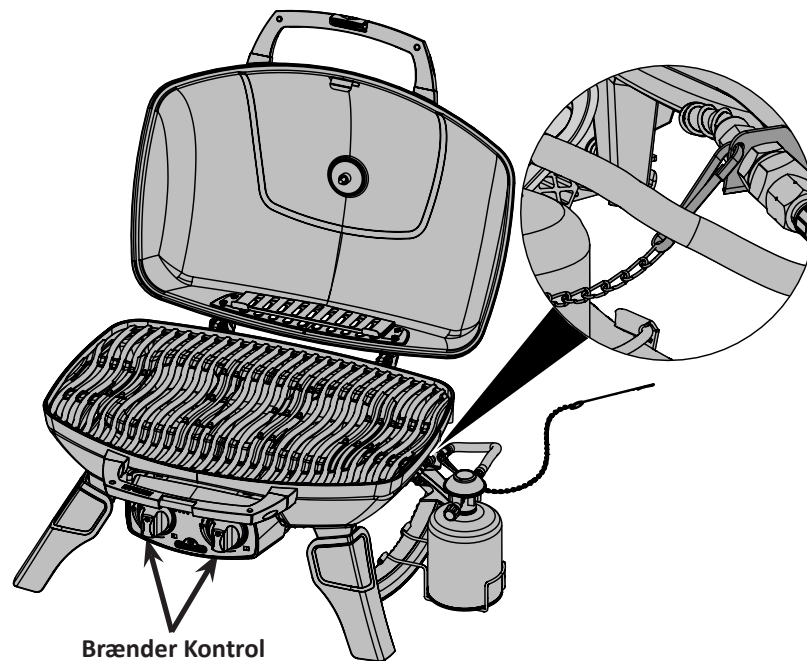


Bobler vil afsløre en utæthed. Dette skal udbedres omgående inden grillen anvendes igen. Det kan ske ved evt. fastspænding af løs del, udskiftning af defekt del – kontakt forhandler hvis man er i tvivl.

Hvis utæthed ikke kan stoppes, bør der **omgående lukkes for gassen ved gasflaske**.og slange/regulator tages af. Brug ikke grillen før utæthed er fundet og fjernet. Kontakt evt. forhandler.



# Optændingsvejledning



**ADVARSEL!** Låget skal stå åbent !

**ADVARSEL !** Alle kontrolknapper skal stå på "OFF" Tilslut gasforbindelsen.

## Tænding af hovedbrænder

DK

1. Grilllåget skal stå åbent !

2. Tryk og drej en af kontrolknapperne langsomt til max. indstilling. I den forbindelse vil der ske en tænding af den aktuelle brænder.

3. Hvis brænder ikke tændes, drejes kontrolknop til "OFF" og trin 2 gentages – evt. flere gange – indtil brænder er tændt.

4. Hvis brænder ikke er tændt efter 5 sec. drejes kontrolknop til "OFF" og der ventes ca. 5 min indtil udsivende gas er forsvundet. Herefter gentages punkt 2 og 3 – man kan også tænde med en tændstik.



5. Hvis man tænder med en tændstik kan man bruge den holder til tændstik som medfølger. Hold den tændte tændstik ned gennem grillen til brænder hvorefter der åbnes for gassen ved kontrolknappen.

## Vejledning for tilberedning



**ADVARSEL !** Brug ikke grillen markiser eller brandbare udhæng. Undlader man at følge vejledningen kan det resultere i brand eller personskade.



**FARLIGT !** Grillen bør ikke sættes til opbevaring eller transporteres umiddelbart efter brug. Lad først grillen køle helt af inden den pakkes væk. Undlader man dette kan det medføre ild eller personskade !

**Første optænding:** Når grillen tændes første gang, kan der opstå lugt og lettere røg. Dette skyldes at der på de enkelte dele i forbindelse med fremstillingen kan være rester fra produktionen som først skal brændes af. Det sker ved at man i forbindelse med første optænding lader grillen varme helt op og disse rester vil så brænde af efter max. 30 min. Herefter vil denne lugt ikke forekomme mere.

**Brug af hovedbrænder:** Når maden skal svitses, anbefaler vi at alle brændere opvarmes inden da på højeste ydelse – med lukket låg – i ca. 10 minutter. Madvarer som kun kræver kort tilberedning ved lavere temperaturer (fisk, grøntsager) kan grilles med låget åbent. Tilbereder man med låget lukket opnår man højere og mere jævn temperatur, som kan reducere tiden for tilberedningen, og maden bliver desuden mere ens og jævn tilberedt. Madvarer med en længere tilberedningstid end 30 min., f. eks. stege, kan tilberedes med indirekte varme (brænder direkte under maden er ikke tændt). Ved tilberedning af magert kød (kyllingebryster, koteletter m.v.) kan man med fordel først smøre grillristen med olie for at undgå at kød hænger fast til risten. Madvarer med et højt indhold af fedt kan derimod give stikflammer under tilberedningen. Det kan begrænses ved at bortsikere det meste fedt eller reducere temperaturen under tilberedningen. Skulle der alligevel opstå stikflammer skal madvaren omgående fjernes fra flammen og temperaturen sættes ned. Lad låget stå åbent.

## Vejledning for rengøring og vedligeholdelse



**ADVARSEL!** Det anbefales at bruge beskyttelsesbriller + handsker når man efterser sin grill.



**ADVARSEL!** For at undgå forbrænding bør man kun efterser sin grill når den er afkølet og kold. Undgå direkte kontakt med varme flader. Vær sikker på at alle brændere er slukket. Gør grillen ren i et område som er velegnet. Brug ikke ovnrens til rengøring af denne grill. Brug ikke en selvrensende ovn til at rengøre riste og andre dele. Barbecue sauce og salt kan være ætsende, og bør derfor fjernes jævnlige fra grillen.



**Bemærk:** Rustfri stål har en tendens til at oxidere eller ændre karakter i forbindelse med klorider og sulfider, især i kystområder og andre udsatte miljøer, samt den varme og fugtige luft der findes i områder ved boblebad og swimmingpools. Disse pletter kan opfattes som rust, men kan let fjernes eller forhindres. For at forebygge og fjerne pletter bør overfladen behandles jævnlige eller når påkrævet med frisk vand og/eller rengøringsmiddel til rustfri stål (må ikke indeholde slibemiddel)

**Grillriste i støbejern:** Grillriste i støbejern som medfølger denne grill giver en jævn og effektiv varmfordeling. Ved løbende brug bliver risten tilført fedtstof og dermed en overflade som er med til at bevare risten, som er nem at benytte uden at madvarer hænger fast.

**Inden første gangs brug:** Grillriste bør vaske af med en mild og varm sæbeblanding for at fjerne eventuelle rester fra produktionen. (Vask aldrig i opvaskemaskine) Efterskyl med rigelig varmt vand og tør grundigt efter med en blød klud. Det er vigtigt for at undgå fugt i forbindelse med støbejern (kan skabe rustdannelse).

**Løbende vedligeholdelse:** Ved brug af blød klud påføres vegetabilsk olie over hele grillristens flader – husk hjørner og ripper. Brug ikke fedtstoffer med saltindhold (smør/margarine). Lad grillen forvarme i 15 min. inden de indsmurte grillriste lægges på plads i grillen. Drej kontrolknapper på medium og lad låget været lukket. Lad grillristene blive gennemvarme i en periode (30 min.) Herefter lukkes for gassen på kontrolknapper og sluk for gassen ved regulator. Lad herefter grillen afkøle. Denne vedligeholdelse bør ske løbende – afpasset af hvor meget og hvor længe man benytter sin grill.

**Ved daglig brug :** Grillristen påføres først vegetabilsk olie med en blød klud. Herefter forvarmes grillen med lukket låg, hvorefter risten kan rengøres med en blød metalbørste (messing) for at fjerne eventuelle madrester fra risten.

**Indvendig rengøring af gasgrill:** Tag grillriste ud. Brug en blød metalbørste til at løsne rester fra de støbte flader og indersiden af låget. Børst de løse rester fra indersiden af grillen ned i den aftagelige drypbakke.



**Drypbakke:** Opsamlet fedt kan være brandfarligt ! Rengør drypbakke jævnligt for fedtrest. Fedt og kødsafter drypper ned gennem grillen og opsamles i drypbakken, som er placeret under grillen. Ved rengøring bør drypbakke tages ud af grillen. Brug aldrig alufolie, sand og lign. i drypbakken da det kan forhindre fedtstof i at flyde. Bakken kan gøres ren ved hjælp af en spartel og køkkenrulle.

**HUSK !** Drypbakken skal være tømt og rengjort inden grillen pakkes sammen og transporteres lodret.

**Rengøring af grillen udvendig:** Brug ikke slibende rengøringsmidler eller ståluld på malet, emaljeret eller rustfrie dele på din Napoleon gas grill. Hvis det sker vil det beskadige overfladen. Udvendige grilloverflader skal rengøres med varm sæbeblanding mens overfladen stadig er lidt varm. Overflader af rustfri stål bør rengøres med varm sæbeblanding eller specielt rensmiddel til rustfri stål – uden slibemiddel. Tør i retning af stålets struktur. Ved løbende brug vil rustfri stål ændre karakter og i forbindelse med opvarmning ændres farve til gylden og brunlig. Denne ændring har ingen indflydelse på kvalitet og grillens funktion.. Emaljerede dele må behandles med speciel forsigtighed. Emaljerede dele har en glasagtig overflade, og vil skalle af ved slag. Reparationssæt af emalje kan købes.

## Vejledning for vedligeholdelse

Vi anbefaler at denne gas grill bliver grundig eftersat min. hvert år – evt. med assistance af en specialist. I det område hvor gas grillen anvendes bør altid holdes fri for brandbare materialer, benzin og andre tændbare væsker. Hold grillen fri så der er rigelig med ventilation og frisk luft.



**ADVARSEL!** Når grillen rengøres bør man være omhyggelig – kan evt. benytte handsker og beskyttelsesbriller.

**ADVARSEL!** Sluk for gassen - også ved regulator og fjern gasflasken. For at undgå stikflammer m.v. bør grillen kun vedligeholdes når den er kold. Lækagetest bør foretages med jævne mellemrum, og i forbindelse med udskiftning af gasførende dele eller når det lugter af gas.

**Brænder:** Brænder er fremstillet af kraftig kvalitet i #304 rustfri stål, men de høje temperaturer samt aggressive miljø kan forårsage korrosionsdannelse på overfladen. Dette kan fjernes med en brænderbørste af blød messing.

**VÆR OPMÆRKSOM!** Pas på insekter.

Edderkopper og insekter bliver tiltrukket af lugten af gas. Brænder er ved luftindtag forsynet med et net, som skulle begrænse muligheden for at de bygger reder indvendig i gasrøret. Nettet løser dog ikke problemet helt ! Reder og spindelvæv forårsager en gul eller orange farve på flamme, eller en "tilbagebrænding" (flashback) gennem luftindtag på underside af kontrolpanel. For at rengøre brænder indvendigt er det nødvendigt at tage den ud. Fjern skrue(r) som forbinder overløbsskinne og brænder til selve grillen. Brænder trækkes bagud/opad ud af grillen. Rengøring: Brug en specielt rund brænderbørste til indvendig rengøring af brænder. Kontroller huller i brænder samt dysehul er åbent og ikke blokeret. Huller i brænder kan tilstoppes af fedt og korrosion, og kan åbnes igen ved hjælp af en åben clips. Huller i brænder er lettere at rengøre når brænder er taget ud, men kan også rengøres mens brænder er på plads i grillen.

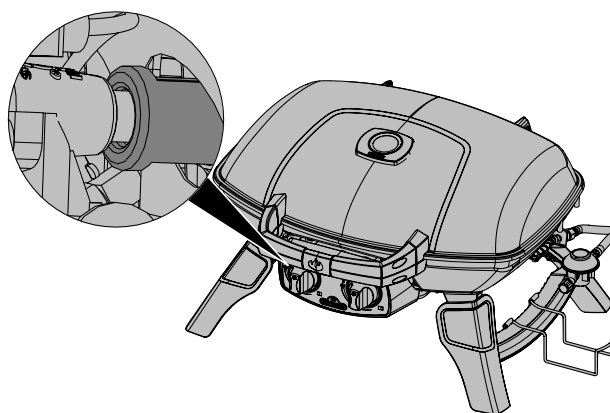
**VÆR FORSIGTIG!** Huller i brænder må ikke gøres større.

Vær sikker på at nettet ved luftindtag er rent og fri for insekter og snavs.

**Isætning af brænder:** Sker modsat efter hvordan den blev taget ud. Vær opmærksom på at gasventilen sidder korrekt ind over enden af gasbrænder. Overløbsskinne sættes på plads igen og fastspændes med skruer.



**ADVARSEL!** Når brænder sættes på plads igen efter rengøring er det meget vigtigt at enden på brænderrør sættes korrekt ind over dyse på enden af ventil. Hvis dyse ikke er korrekt på plads i brænderrør kan det forårsage en farlig situation med ild og stikflammer.



**ADVARSEL!** Gasslange bør jævnlig efterses for beskadigelse, revner, slid m.v. Hvis slange ikke er i orden må grillen ikke benyttes før slange er udskiftet med ny DG-godkendt slange.

# Fejlfinding

Problem	Mulig årsag	Løsning
Lav varme/lav flamme med kontrolknop på max.	Gassen blokeret.  Utilstrækkelig forvarmning  Isdannelse på gasbeholder.	Kontrollerer insekter i brænder/ventil  Forvarm grill med hovedbrænder på max. i 5-10 min.  Sker ved lang tilberedningstid, beholder er ved at være tom eller ved lave udetemperaturer. Udskift evt. til ny gasbeholder.
Stikflammer/ujævn varme	Utilstrækkelig forvarmning  For meget fedt og snavs i drypbakken	Forvarm grill med begge hovedbrændere på max. i 5-10 min.  Rengør drypbakken jævnlige. Brug ikke alufolie i bakken. Se vejledning om rengøring.
Brænder giver gul flamme, samt lugt af gas.	Mulighed for insekter og spindelvæv og utilstrækkelig lufttilførsel ved brænderrør.	Brænder tages ud til grundig rengøring. Se vejledning herom. Evt. forkert indstilling af luftindtag ved brænder – kan reguleres (fagmand)
Flamme ved brænder ustabil, lugt af gas og vanskeligt at tænde.	Forkert indstilling af luftindtag ved brænderrør.	Luftindtag skal reguleres (dette sker bedst ved hjælp af fagmand)
Brænder tænder ikke ved tændingssystem, men med en tændstik	Jet-fire tændingssystem er snavset eller tilstoppet.	Rens jet-fire udgang med en blød børste
"Maling" synes at skalle af indvendigt i låg.	Lag af fastbrændt fedtstof på indvendig side af låg.	Dette er ikke en fejl. Afskalning skyldes fastbrændt fedt som skaller af i flager. Jævnlig rengøring vil forhindre dette. Se vejledning om rengøring.
Summende regulator.	Sker normalt på varme dage	Dette er ikke en defekt. Skyldes vibrationer i ventilator og har ingen indflydelse på ydelse. Regulator ombyttes ikke her.
Brænder ydelse for lav ved max. indstilling (speciel lyd fra brænder og ujævn blå flamme)	Mangel på gas  Gasslange er blokeret  Snavset eller blokeret dyse.  Spindelvæv eller andet blokere brænderrør	Undersøg beholdning af gas.  Gasslange holdes lige uden knæk  Rengør dyse  Rengør brænderrør

**OPBEVAR KØBSKVITTERING SOM BEVIS FOR GYLDIG GARANTIPERIODE****Bestilling af reservedele****Garantioplysning**

MODEL: \_\_\_\_\_

KØBSDATO: \_\_\_\_\_

SERIENUMMER: \_\_\_\_\_

**(Vejledning ved bestilling)**

Inden man kontakter sin forhandler for kundeløsninger på grund af en fejl, bør man informere sig i vejledning omkring rengøring, vedligeholdelse og fejlfinding. Kontakt forhandler direkte ved bestilling af reservedel samt garantispørgsmål. Ved tilfælde med reklamationer eller ønske om reservedele bedes man kontakte den NAPOLEON forhandler hvor grillen er købt - eller nærmeste forhandler.

For at kunne behandle en reklamation skal følgende være oplyst:

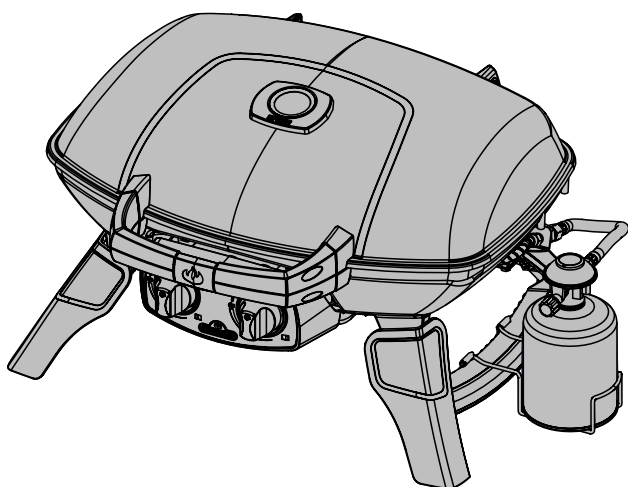
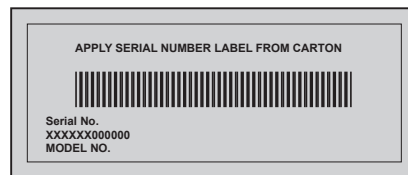
1. Model og serienummer for grillen
2. Del nr. og beskrivelse af delen som ønskes.
3. En kortfattet beskrivelse af problemet ("brækket" er ikke tilstrækkeligt)
4. Købskvittering (kopi)

For at kunne behandle reklamationen vil det i nogle tilfælde være nødvendigt at indlever den defekte del – den må derfor ikke smides væk inden reklamationen er færdigbehandlet. Ved indlevering af defekt del skal ovenstående oplysninger medfølge

Det bedes bemærke at følgende omkostninger ikke dækkes i tilfælde af garanti:

- Udgift til fragt ved defekte dele
- Arbejds løn ved ombytning af dele.
- Udgifter ved kontakt til forhandler ved reklamation.
- Ændring af farve på rustfri stål dele
- Defekt på dele som skyldes manglende rengøring og vedligeholdelse, eller brug af forkerte rengøringsmidler (ovn rens m.v.)

Tätä grilliä saa käyttää vain hyvin ilmastoiduissa ulkotiloissa. Sitä ei saa käyttää sisätiloissa, autotalleissa, lasitetuilla tai muulla tavoin suljetuilla terasseilla, huvimajoissa tai muissa suljetuissa tiloissa.



**SÄILYTÄ TÄMÄ OHJE**

**TQ285**



### **HUOMIO**

#### **MIKÄLI HAISTAT KAASUN HAJUN:**

- Sulje välittömästi kaasuntulo laitteeseen.
- Sammuta kaikki avotuli.
- Avaa grillikupu.
- Mikäli kaasunhaju jatkuu, pysy kaukana grillistä ja soita joko laitteen maahantuojalle, kaasupullojen myyjälle tai palon sattuessa palolaitokselle.



### **VAROITUS**

Älä sytytä grilliä ennen kuin olet lukenut sytytysohjeet käyttöohjeesta.

Älä säilytä mitään syttyviä tai höyrystyviä nesteitä laitteen läheisyydessä. Kytkemätöntä täysinäistä nestekaasupulloa ei saa säilyttää grillin lähellä. Mikäli näitä ohjeita ei noudateta, voi mahdollinen tulipalo tai räjähdys olla seurauksena ja aiheuttaa vakavia henkilö- ja omaisuusvahinkoja.

FI

**Huomautus asentajalle: tämä käyttöohje on aina jätettävä grillin omistajan haltuun mahdollista tulevaa käyttötarvetta varten.**



N415-0289CE-W MAR 27.18

Wolf Steel Europe BV  
Poppenbouwing 29-31, 4191 NZ Geldermalsen,  
CCI No. 51509970, THE NETHERLANDS  
[info@napoleongrills.nl](mailto:info@napoleongrills.nl)

[www.napoleongrills.com](http://www.napoleongrills.com)

# Napoleon President's 10 vuoden rajoitettu takuuhjelma



NAPOLEON tuotteet on suunniteltu ja valmistettu ensiluokkaisista materiaaleista ja komponenteista, sekä rakennettu ammattilaistyönä. Tämä tuote on tarkastettu kaikilta osin teknisellä osastolla ennen kuin se on pakattu laatikkoonsa, jotta sinä kuluttajana voit olla varma, että tuote vastaa NAPOLEON tuotteille asetettuja laatuodotuksia.

NAPOLEON takaa uuden NAPOLEON-kaasugrillisi seuraavat materiaalit ja työnlaadun vikojen osalta ostopäivästä lähtien seuraavasti:

Aluminivaluosat / ruostumaton teräs pohja.....	<b>10 vuotta</b>
Ruostumaton teräs kupu .....	<b>10 vuotta</b>
Posliiniemaloitu kupu.....	<b>10 vuotta</b>
Ruostumaton teräs putkipolttimet .....	<b>5 vuotta, plus 50 % kymmenenteen vuoteen asti</b>
Ruostumaton teräs lämmöntasauslevyt.....	<b>5 vuotta, plus 50 % kymmenenteen vuoteen asti</b>
Posliiniemaloituidut valurautaiset paistopinnat .....	<b>5 vuotta, plus 50 % kymmenenteen vuoteen asti</b>
Ruostumaton ja emaloitu teräs lämmöntasauslevyt .....	<b>3 vuotta, plus 50 % viidenteentoista vuoteen asti</b>
Kaikki muut osat .....	<b>2 vuotta</b>

## \*Takuuohjelman ehdot ja rajoitukset

NAPOLEON takuuhjelma kattaa tuotantoviat alkuperäiselle ostajalle edellyttäen, että tuote on ostettu valtuutetulta NAPOLEON jälleenmyyjältä seuraavin ehdoin ja rajoituksin. Taulukossa mainittu plus 50% tarkoittaa takuuhjelman päättymisen jälkeistä aikaa, varaosat löytyvät kaasugrillin omistajalle 50 %:n alennuksella svh-hinnasta. Tämä rajoitettu takuuhjelma ei kata lisävarusteita tai ylimääräisiä osia.

Takuuohjelma ei ole siirrettävissä grillin seuraavalle omistajalle. Grillin saa asentaa vain asiantunteva henkilö sen jälkeen, kun hän on tutustunut käyttöohjeen kohtiin kasaamisesta ja asennuksesta, sekä käytöstä ja noudattaen kaikkia kansallisia rakennus- ja paloturvallisuusohjeita. Takuuohjelma ei kata vahinkoja jotka johtuvat grillin käyttövirheestä, huollon puutteesta, rasvavalosta, vaarallisesta ympäristöstä, onnettomuudesta, luvattomista muutoksista, ohjeen vastaisesta käytöstä, luvattomista osista, huolimattomuudesta ja muiden tuottajien osien käyttämisestä. Takuuohjelma ei kata yhteisö- tai ammattikäytössä olevaa tuotetta.

Takuuohjelma ei kata muovisien osien värimuutoksia kemiallisia puhdistusaineita käytettäessä tai UV-säteille altistumisesta johtuvia kulumia tai vahinkoja. Rajoitettu takuuhjelma ei myöskään kata naarmuja, painautumia, maalattuja tai pinnoitettuja pintoja, korroosiota tai lämmön aiheuttamaa värimuutosta, hankausaineiden tai syövyttävien puhdistusaineiden käytöstä johtuvia vikoja, emaloitun pinnan hilseilyä tai lohkeilua, eikä asennustarvikkeita.

Mikäli tuotevirhe estää grillin käytön (läpiruostuminen tai läpipalaminen) grillin takuuhjelman voimassa oloaikana, vaihto-osa toimitetaan. Napoleon ei vastaa seuraavista vahingoista: grillin liika kuumeneminen johtuen ilmastollisista olosuhteista tai ilmanvaihdon puuttumisesta, rakeista, kovasta tuulesta, kovakouraisesta käsittelystä, hankaavista puhdistusaineista tai kemikaaleista aiheutuneita vahinkoja. Napoleon ei vastaa takuuosan vaihtoon liittyvistä asennus-, lähetys-, tullaus- tai työkuuluista eivätkä ne kuulu takuun piiriin.

Tämä rajoitettu takuuhjelma on annettu paikallisten lakien mukaisten oikeuksien lisäksi. Näin ollen tämä rajoitettu takuuhjelma ei velvoita NAPOLEONia pitämään osia varastossa. Osien saatavuuden perusteella NAPOLEON voi harkintansa mukaan täyttää kaikki velvoitteensa antamalla asiakkaalle alennusta uusiin tuotteisiin. Ensimmäisen vuoden jälkeen NAPOLEONilla on oikeus palauttaa, alkuperäisen takuuhjelman piiriin kuuluvalla ostajalle takaisin viallisen osan (osien) tukkuhinta. Näin tehdessään NAPOLEON täyttää kaikki tämän takuuhjelman mukaiset velvoitteet.

Kopio ostokuitista sekä grillin malli- ja sarjanumero on esitettävä takuupyynnön yhteydessä. Napoleon varaa oikeuden grillin tai sen osan tutkimiseen takuun myöntämiseksi. Sinun tulee ottaa yhteyttä NAPOLEONIN asiakaspalveluun tai valtuutettuun jälleenmyyjään takuuasioissa.

FI



napoleongrills.com

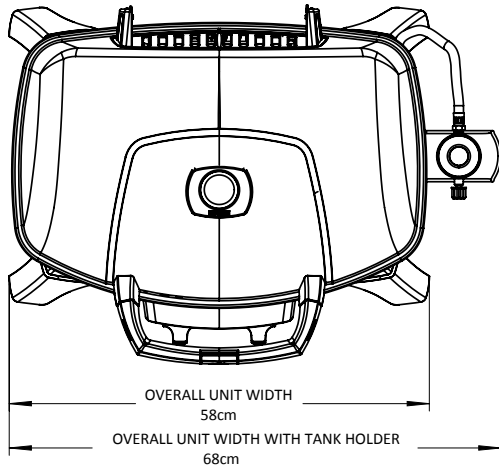


**VAROITUS!** Näiden ohjeiden noudattamatta jättäminen voi johtaa omaisuus- tai henkilövahinkoihin. Lue käyttöohje ja seuraa sen antamia ohjeita ja varoituksia ennen grillin käyttöönottoa.

## Kuinka käytät grilliä turvallisesti

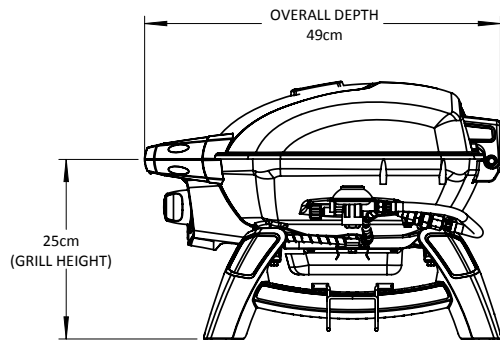
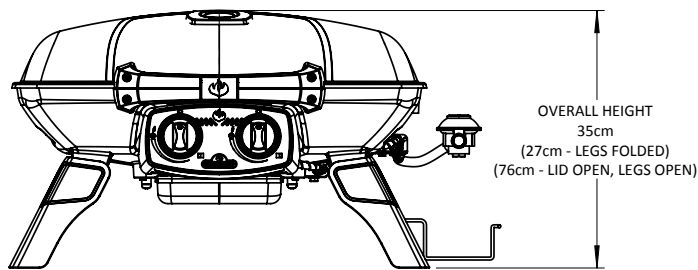
- Tämä grilli pitää koota tarkoin käyttöohjeen mukaisesti. Mikäli olet ostanut grillin valmiiksi koottuna, sinun on tarkistettava, että grilli on koottu oikein ja suorittaa vuototesti ennen kuin otat grillin käyttöön.
- Lue koko käyttöohje ennen kuin otat grillin käyttöön.
- Tätä kaasugrilliä saa käyttää vain ulkotiloissa joissa ilma vaihtuu hyvin ja sitä ei saa käyttää sisätiloissa, autotalleissa, suljetuilla terasseilla ja parvekkeilla, huvimajoissa tai muissa suljetuissa tiloissa.
- Tämä kaasugrilli on tarkoitettu propaani, butaani tai propaani/butaanilla käytettäväksi. Tarkista myyjäliikkeestä.
- Älä sijoita tuuliseen paikkaan. Kova tuuli huonontaa grillin suorituskykyä.
- Grilliin ei saa tehdä mitään muutoksia missään tilanteessa.
- Grilliä ei saa käyttää minkään palavan rakennelman alla.
- Grillin ja palavien materiaalien välillä on oltava seuraavat turvaetäisyydet: 18" (457 mm) taakse ja sivuille 18" (457 mm). Lisää etäisyyttä mikäli grillin ja sivuilla sijaitsee vinyyli- tai lasitasoja.
- Kaasun liitäntäletku tulee asentaa siten ettei se kosketa grillin kuumia pintoja käytön tai kuljetuksen/säilytyksen aikana.
- Kaasurasia tulee aina poistaa grillistä kun sitä ei käytetä.
- Kaasurasian ollessa kiinnitettynä laitteeseen, kaasugrilli ja kaasurasia tulee säilyttää ulkotiloissa joissa ilma vaihtuu hyvin.
- Kun kaasugrilliä säilytetään sisätiloissa, kaasurasia tulee irrottaa kaasugrillistä ja rasia säilyttää ulkotiloissa, joissa ilma vaihtuu hyvin lasten ulottumattomissa. Kaasurasioita ei saa säilyttää sisätiloissa, autotalleissa tai muissa suljetuissa tiloissa.
- Tarkista kaasuletkun kunto ennen jokaista käyttökertaa. Mikäli letkussa näkyy kulumia ja halkeamia, se pitää vaihtaa uuteen ennen kuin kaasugrilliä käytetään.
- Älä ohjaa kaasuletkua rasvapellin alta -pidä grillin pohjan ja letkun välissä riittävä etäisyys.
- Älä koskaan säilytä vara kaasurasioita tämän grillin alla.
- Vuoto testaa laite saippuavesiliuoksella ennen käyttöä, säännöllisesti ja aina kun vaihdat osia grilliin tai vaihdat letkut/säätimen.
- Noudata sytytysohjeita tarkoin.
- Älä sytytä polttimeita kun kansi/kupu on kiinni.
- Aikuisia ja erityisesti lapsia tulisi varoittaa kuumien osien vaarallisuudesta. Pidä lapset loitolla grillistä.
- Älä jätä päällä olevaa grilliä ilman valvontaa.
- Älä siirrä päällä olevaa tai kuumaa grilliä.
- Pidä kaikki sähköjohdot ja kaasuletkut pois kuumista pinnoista.
- Huolehdi että lämmöntasauslevy (jos laitteessa on sellainen) on asetettu oikein.
- Puhdista rasvakuppi/-pelti ja lämmöntasauslevy (jos laitteessa on sellainen) säännöllisesti estääksesi rasvan kerääntymisen mitkä saattavat aiheuttaa rasvapaloja.
- Älä käytä vettä, olutta tai muita nesteitä sammuttaaksesi rasvapaloja.
- Älä käytä painepesuria puhdistaaksesi grilliä tai sen osia.
- Kaasugrilli ei sovellu ammattikäyttöön vaan on tehty ainoastaan kotitalouskäyttöön
- Tämä kaasugrilli ei ole tarkoitettu lämmittimeksi ja sitä ei saa käyttää missään tapauksessa lämmittimenä.

# MITAT



## TQ285 GRILL

GRILL SIZE: 37 cm X 54 cm (IRREGULAR) = 1840 cm<sup>2</sup>  
ALL DIMENSIONS ARE APPROXIMATE





## Käsittele varoen



**HUOMIO!** Vahinkojen ja osien vioittumisen ehkäisemiseksi ole varovainen käsitellessäsi tai kuljettaessasi grilliä. Vaikka grilli on suunniteltu liikkuvuutta ajatellen, varmaton käyttö ja huolimaton käsittely saattaa johtaa osien vaurioitumiseen, jotka estävät grillin oikeanlaisen käytön.

### Tämän tuotteen hävittäminen oikein

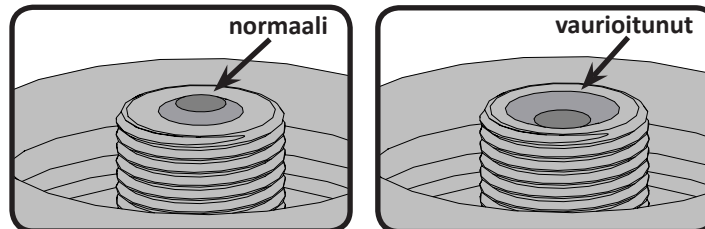


Tämä merkintä ilmoittaa, ettei tuotetta saa hävittää muun talousjätteen mukana EU:n alueella. Hallitsemattomasta jätteidenhävittämisestä mahdollisesti ympäristölle tai ihmisille aiheutuvien haittavaikutusten ehkäisemiseksi tuote tulisi kierrättää. Kierrätys edistää myös materiaalivarojen kestävää uusiokäyttöä. Jos haluat palauttaa käytetyn laitteen, käytä kierrätystavaran keräysjärjestelmiä tai ota yhteyttä tuotteen myyneeseen jälleenmyyjään. Jälleenmyyjä ottaa tuotteen vastaan ja kierrättää sen ympäristölle turvallisesti.

## Kaasupullo

Käytä ainoastaan kansallisten ja paikallisten säädösten mukaisia kaasupulloja. Parhaan toiminnan saavuttamiseksi grilliä tulisi käyttää propaani kaasupullolla. Kertakäyttöisten kaasurasioiden tulee vastata EN417 standardia ja niiden tulee olla varustettuja venttiilillä. Kaasurasioiden tilavuus tulee olla 430g ja 460 g välillä. Tarkista kuminen O-rengas säätimestä. Mikäli siinä näkyy vaurioita vaihda säädin.

- Älä koskaan kytke kaasurasiaa joka ei vastaa paikallisia säädöksiä. Kertakäyttöiset rasiat tulee aina asettaa pystyasentoon laitteen mukana tulevalle tukipitimellä.
- Älä koskaan säilytä vara kaasurasioita laitteen läheisyydessä. Kaasurasioita ei saa altistaa kuumuudelle tai suoralle auringonpaisteelle.
- Älä koskaan yli kiristä kaasurasiaa, ylikiristäminen saattaa aiheuttaa vahinkoja säätimelle tai kaasurasian liitokselle.
- Tämä saattaa aiheuttaa vuodon tai estää kaasunvirtauksen laitteeseen.

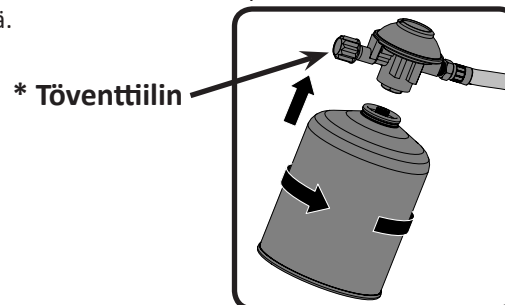
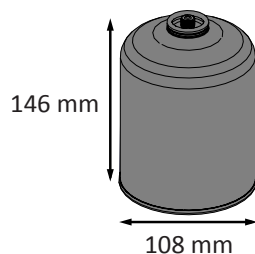


**VAROITUS!** Kaasurasian mukana tuleva pölysuoja tulee asettaa kaasurasia päälle säilytyksen ajaksi estääksesi lian ja karstan pääsyn venttiiliin.

**VAROITUS!** Lue käyttöohjeet kaasurasian käytöstä ja asentamisesta tarkoin enne laitteen käyttöönottoa. Kolhuinen tai ruostunut rasia voi olla vaarallinen. Hävitä kaasurasia mikäli siinä on ruostetta tai sen on vioittunut liitos alueelta.

**Kaasurasia kytkeminen:** Varmistu että kaasusäätimen letku ei kierry. Kaasurasiasa on venttiiliiliitos joka estää kaasunvirtauksen ennen kun rasia on tiivistynyt kunnolla. Irrota pölysuoja tai tulppa rasiasta. Kiinnittäaksesi rasian säätimeen kierrä sitä myötäpäivään. Kierrä rasiaa ainoastaan käsin, älä käytä työkaluja.

Tee vuototesti saippualliuoksella ennen kaasugrillin käyttöä. Vuototesti pitää suorittaa vuosittain ja joka kerta kun pullo liitetään grilliin tai kaasujärjestelmän joku osa vaihdetaan. Kertakäyttöiset rasiat pitää aina asettaa pystyasentoon grillin sivulle laitteen mukana tulevalle tukipitimellä. Tämä estää kaasunpääsyn säätimestä, joka voisi vahingoittaa säädintä.



\* Asianmukaisen käytön varmistamiseksi, tarkasta että säätimen säädinnuppi on tiukasti paikoillaan (myötäpäiväinen suunta)



### VAROITUS!

- Älä ohjaa kaasuletkua rasvapellin alta - pidä grillin pohjan ja letkun välissä riittävä etäisyys.
- Varmistu että kaikki liitoskohdat ovat tiiviit käyttämällä kahta jakoavainta samanaikaisesti. Älä käytä Teflon teippiä tai putkiliitoksia missään letku liitoksissa.
- Varmistu ettei letku kosketa mitään grillin kuumia pintoja käytön tai se saattaa sulaa ja vuoto voi aiheuttaa tulipalon.

## Kaasuletku

- Grillissä saa käyttää vain hyväksytyä matalapainesäädintä ja kaasuletkua. Grilliä ei saa kytkeä kaasuverkkoon.
- Varmistu ettei letku kosketa kuumia pintoja tai joudu kosketukseen kuuman rasvan kanssa.
- Tarkista letkun kunto säännöllisesti. Mikäli havaitset halkeilemista, vaihda letku ennen kuin otat grillin käyttöön.
- Letku ei missään tapauksessa saa olla pidempi kuin 1,2 m.
- Tarkista ettei asennuksen jälkeen kaasuletkuun jää kiertymiä tai taitoksia.
- Kaasuletkuun on painettu letkun valmistusvuosi. Suositamme letkun vaihtoa uuteen 3 vuoden kuluttua valmistusvuodesta lukien tai aikaisemmin mikäli letkun kunto sitä vaatii.

## Tekninen tieto

Seuraava tekninen taulukko kertoo grillin käyttöpaineen ja kaasunkulutuksen sekä tehot.

Poltin	Suuttimen koko		Kokonaisbruttoteho		Kaasunkulutus	
	I	II	I	II	I	II
	#69 (0.74 mm)	#73 (0.61 mm)	4.1kW	4.1kW	301 g/h	301 g/hr

Tarkista grillin tuotelaatasta että käyttämäsi kaasu vastaa seuraavaa erittelyä:

Kaasuluokka	'3B/P(30)	'3+(28-30/37)	'3B/P(50)
Suutinkoot (ks. yllä)	I	I	II
Kaasu / paine	Butaani 30mbar Propaani 30mbar	Butaani 28-30mbar Propaani 37mbar	Butaani 50mbar Propaani 50mbar
maa	BE, BG, CY, DK, EE, FI, FR, GB, HR, HU, IS, IT, LT, LU, MT, NL, NO, RO, SE, SI, SK, TR	BE, CH, CY, CZ, ES, FR, GB, GR, IE, IT, LT, LU, LV, PT, SK, SI	AT, CH, DE, SK

Älä muuta matalapainesäädintä. Käytä vain hyväksytyä matalapainesäädintä joka täyttää kansalliset säädökset.

Painetta ei saa muuttaa tai säätää. Jos säätölaite vaihdetaan, tulee käyttää ainoastaan valmistajan määrittelemää säätölaitetta.

## Pöytätasolla käyttäminen

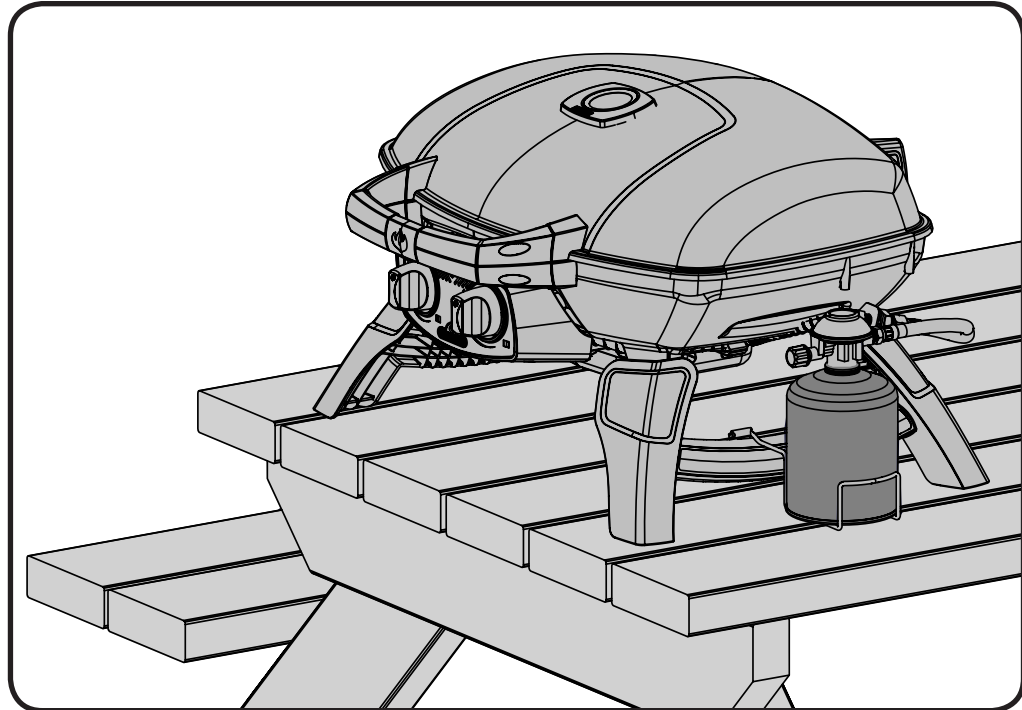
TQ285 on suunniteltu ajatellen liikkuvuutta. Taitettavien jalkojen ansiosta TQ285 voidaan asettaa useiden pöytäpintojen päälle. Jalat taittuvat ulos, lukkiutuvat paikoilleen, ja sisään lukkiutuen kuljetuksen tai säilytyksen ajaksi.



**VAROITUS!** Kummatkin jalat tulee taittaa ulos kun grilli otetaan käyttöön ja kun grilliä käytetään.



**VAROITUS!** Älä käytä grilliä muovisilla, hartsisilla tai lasisilla pöytäpinnoilla.



## VUOTOTESTIN OHJEET



**VAROITUS!** Vuototesti täytyy suorittaa vuosittain ja aina kun pullo tai muu osa kaasujärjestelmästä vaihdetaan.



**VAROITUS!** Älä koskaan testaa vuotoa avoliekillä. Varmistu että läheisyydessä ei ole kipinöitä tai avoliekkiä kun teet testin. Kipinät tai avoliekit johtavat räjähdykseen tai tulipaloon, vahinkoa omaisuudelle tai vakavia henkilövahinkoja.

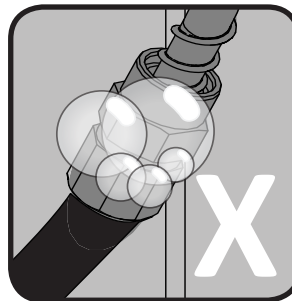
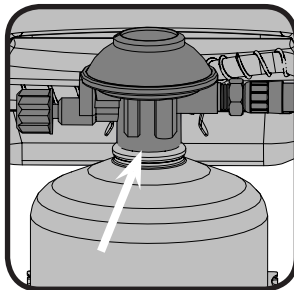
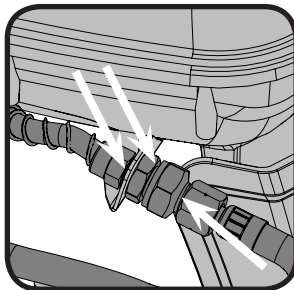
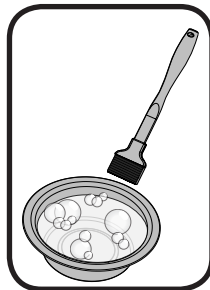
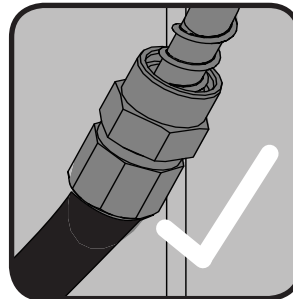
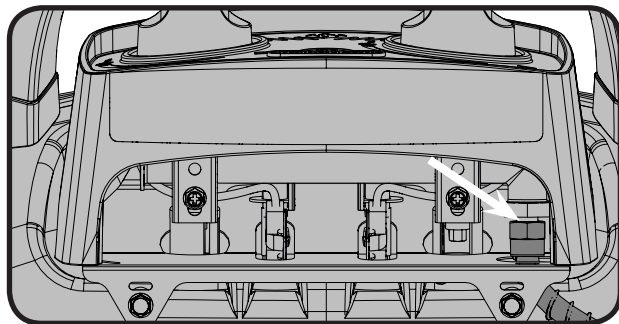


**Vuototesti:** tämä pitää suorittaa aina kun aloitat grillauskauden, vuosittain tai aina silloin kun kaasujärjestelmän joku osa vaihdetaan tai huolletaan. Älä tupakoi kun teet testin, ja poista läheisyydestä kaikki mikä voi aiheuttaa syttymisen. Tarkista kaikki kaasujärjestelmän osat huolellisesti. Sulje kaikki säätimet suljettu asentoon. Avaa kaasuntulo pullostta.

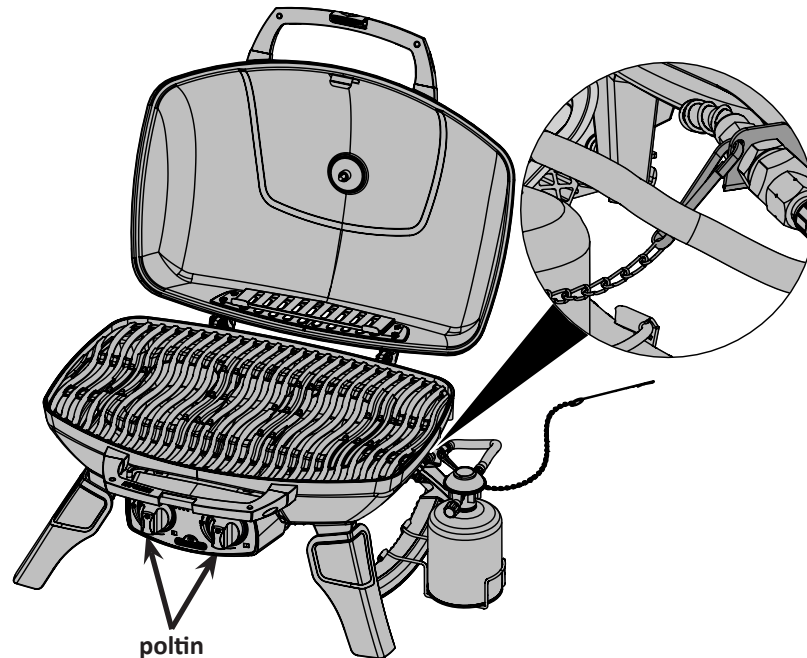
Sivele letkun liitoskohdat, matalapainesäätimestä sekä kaasuletkun kiinnityskohdasta sekä kaasuhanoista saippua/vesiliuoksella.

Kuplat merkitsevät kaasuvuotoa. Kiristä letkukiinnitykset tai mikäli vuotokohta on hanajärjestelmässä on käännettävä maahantuojan tai jälleenmyyjän puoleen.

Mikäli vuotoa ei saada loppumaan, **katkaise välittömästi kaasuntulo pullostta**, irrota pullo ja ota yhteys jälleenmyyjään tai maahantuojaan joka ohjaa sinut lähimmälle kaasuasentajalle. Älä käytä grilliä ennen kuin vuoto saadaan loppumaan.



# SYTYTYSOHJEET



**VAROITUS!** Avaa kupu

**VAROITUS!** Varmista että kaikki polttimoiden säätimet ovat off asennossa. Liitä kertakäyttöinen kaasurasia.

## Pääpolttimien sytytys

1. Avaa grillin kupu

2. Paina ja käännä mitä tahansa säädinnappia hitaasti täysi teho "hi" asentoon. Tämä toiminto sytyttää valitun polttimen.

3. Mikäli poltin ei syty, käännä säädinnappi välittömästi asentoon "off" ja toista kohta 2 useampia kertoja.

4. Mikäli poltin ei syty 5 sekunnin kuuessa, käännä säädinnappi "off" asentoon ja odota 5 minuuttia jotta kaasu haihtuu, tämän jälkeen toista kohta 2 ja 3 tai sytytä grilli pitkällä sytyttimellä tai tulitikulla.

5. Mikäli sytytät grillin tulitikulla, kiinnitä tulitikku laitteen mukana toimitettuun tulitikun pitimeen. Pidä pitimestä kiinni suunnaten se alaspäin polttimeen samanaikaisesti kääntäen säädinnupista kaasunvirtausta suurelle teholle.



## GRILLAUSVIHJEITÄ



**VAROITUS!** Älä käytä grilliä markiisien alla. Tämän ohjeen noudattamatta jättäminen saattaa aiheuttaa tulipalon tai henkilövahinkoja.



**VAARA!** Älä laita grilliä säilytykseen tai kuljetusasentoon heti sen käytön jälkeen. Anna grillin jäähtyä ennen sen siirtämistä tai säilyttämistä. Tämän ohjeen noudattamatta jättäminen saattaa aiheuttaa vaaratilanteen ja henkilövahinkoja.

**Ensimmäinen sytytys:** kun grilli sytytetään ensimmäistä kertaa, kaasugrillistä voi tulla hajua. Se on normaali ja ohimenevä ilmiö kun valmistuksessa käytettävät öljyt ja muut valmistusaine jäävät palavat pois. Haju poistuu ensimmäisen kerran jälkeen. Ensimmäisellä sytytyskerralla käytä grilliä suurella lämmöllä noin puoli tuntia.

**Pääpolttimoinen käyttö:** Ruokia ruskistettaessa suosittelemme grillin esilämmitystä pitämällä kaikkia polttimoita täydellä teholla kupu suljettuna noin 10 minuutin ajan. Kalaa ja vihanneksia grillattaessa voidaan grillata kupu auki. Grillattaessa kupu kiinni saavutetaan suurempi ja tasaisempi lämpötila joka voi lyhentää paistoaikaa ja kypsentää lihaa tasaisemmin. Ruoka jonka paistoaika on pidempi kuin 30 minuuttia, kuten paisti, voidaan grillata epäsuorasti. Vähärasvaisia lihoja grillattaessa kuten kanaa tai sianlihaa, paistopinnat voidaan öljytä ennen esilämmitystä estääksesi ruoan tarttumista paistopintaan.

Rasvaisia lihoja grillattaessa voi syntyä rasvaleimahduksia. Leikkaa rasva pois tai laske grillin lämpötilaa välttääksesi rasvaleimahduksia. Mikäli rasvaleimahdus syntyy, siirrä ruoka pois leimahduksesta ja vähennä lämpöä. Jätä grillin kupu auki.

## PUHDISTUSOHJEET



**VAROITUS!** Pidä aina suojakäsineitä ja -laseja kun puhdistat grilliä.



**VAROITUS!** Puhdista grilli vain silloin kun se on kylmä. Käytä aina suojahansikkaita kun käsittelet grillin kuumia pintoja. Tarkista aina että grillin säätimet ovat suljettu asennossa. Puhdista grilli aina tiloissa jossa ei ole pilaantuvia pintoja, nurmikoita tai patioita. Älä käytä uunin puhdistusainetta minkään grillinosan puhdistukseen. Älä käytä itse puhdistuvaa uunia grilliritilöiden tai muiden grillinosien puhdistukseen. Grillauskastikkeet sisältävät happoja ja suolaa joka aiheuttaa korroosiota ja grillin vahingoittumisen mikäli sitä ei puhdisteta säännöllisesti.



**HUOMIO:** Ruostumaton teräs saattaa muuttaa väriään mikäli läheisyydessä esiintyy klorideja tai sulfaatteja, erityisesti rannikkoalueilla ja muissa rasittavissa olosuhteissa kuten kuumassa ja kosteassa ilmastossa joka on lähellä uima-altaita ja poreammeita. Tällaiset värimuutokset voidaan helposti puhdistaa tai estää. Tällöin on grilli puhdistettava puhtaalla vedellä ja/tai erityisellä ruostumattoman teräksen puhdistusaineella.

**Valurautaiset paistopinnat:** Grillisi mukana toimitettavat valurautaiset avoparilat tarjoavat parhaan mahdollisen lämmön varaavuuden ja lämmönjakautumisen. Ajoittainen rasvapoltto pidentää valurautapintojen ikää ja estää ruostumisen sekä ruoan kiinni tarttumisen.

**Ensimmäinen käyttökerta:** Pese valurautaiset paistopinnat miedolla saippuavedellä poistaaksesi mahdolliset tehdas rasvanjäämät (älä koskaan pese tiskikoneessa). Huuhtelee paistopinnat kuumalla vedellä ja kuivaa pehmeällä liinalla. Huolellinen kuivaus on tärkeää jottei kosteus pääse imeytymään valurautaan,

**Valuraudan rasvapoltttaminen:** Käytä pehmeää kostutettua liinaa/paperia levittääksesi rypsiöljyä/ oliiviöljyä/ihraa tai laardia koko paistopinnalle varmistaen että kaikki kulmauksetkin on voideltu öljyllä. Älä käytä suolattuja rasvoja kuten margariinia ja voita. Esilämmitä grilliä 15 minuuttia ja aseta paistopinnat paikoilleen grilliin. Käännä säädinnupit medium asennolle ja sulje grillin kupu. Anna valurautaisten paistopintojen lämmitä grillissä noin puoli tuntia. Käännä grillin polttimet kiinni "OFF" asentoon ja sulje kaasuntulo kaasupullostasta. Anna paistopintojen viilentyä grillissä. Tämä toimenpide tulisi toistaa useita kertoja vuoden aikana, mutta sitä ei tarvitse tehdä päivittäin grillauksen jälkeen. (katso alla päivittäinen grillauksen jälkeinen hoito)

**Päivittäinen grillauksen jälkeinen hoito:** Ennen esilämmitystä ja paistopintojen putsamista messinkipäisellä harjalla, päällystä koko grillin paistopinta öljyllä/rasvalla. Esilämmitä grilli ja pyyhi jääneet marinadit ja karstat pois messinkiharjalla.

**Grillin sisäosien puhdistaminen:** Poista paistopinnat grillistä ja käytä messinki harjaa poistaaksesi rasvan ja karsta valusivuilta. Harjaa kaikki karsta grillin sisältä irrotettavaan rasvakuppiin, joka sijaitsee grillin alla.

**Rasvakuppi:** Kerääntynyt rasva voi aiheuttaa palovaaran. Puhdista rasvakuppi säännöllisesti jottei rasva pääse kerääntymään siihen. Rasva ja karsta kerääntyvät rasvakuppiin, joka sijaitsee grillin alla. Puhdistaaksesi sen, liu'uta rasvakuppi pois grillin alta. Älä koskaan vuoraa rasvakuppia alumiinifoliolla. Rasvakuppi tulisi raaputtaa lastalla tai kaapimella täysin puhtaaksi. Varoitus! Varmistu että rasvakuppi on täysin tyhjä ja puhdistettu ennen sen takaisin asettamista vaaka-asentoon (kuljetus tai säilytys).

**Grillin ulkopintojen puhdistus:** Älä käytä hankausjauheita sisältäviä puhdistusaineita tai –tyynyjä mihinkään polttomaalattuun, emaloituun tai ruostumatonta terästä sisältävään osaan. Ulkopinnat on pestävä lämpöisellä saippuavedellä silloin kun grilli on vielä lämmin mutta ei enää kuuma. Ruostumattomien teräspintojen puhdistukseen soveltuu erityisesti sille valmistettu puhdistusaine. Puhdista aina teräksen hiontasuuntaan. Aikaa myöten ruostumaton teräs muuttaa väriään kuumetessaan, useimmiten ruskehtavaan värisävyyneen. Värisävyn muutos johtuu korkeista lämpötiloista joilla grilli toimii eikä vaikuta grillin käyttöominaisuuksiin. Emaloituja osia on käsiteltävä varoen ja hoidettava hellävaraisesti. Kuumennettu emali käyttäytyy kuten lasi ja rikkoutuu mikäli sitä töytätään.

## HUOLTO-OHJEET



Suosittellemme kaasugrillin perusteellisen tarkastuksen ja huollon suorittamista vuosittain. Tarkastuksen ja huollon tulee suorittaa pätevä ammattilainen.



Pidä palavat materiaalit, bensiini ja muut syttyvät kaasut ja nesteet poissa kaasugrillin läheisyydestä. Älä estä tuuletuksen tai palamisilman kulkua.



**VAROITUS!** Pidä aina suojahansikkaita ja -laseja kun puhdistat grilliäsi.



**VAROITUS!** Irrota grilli kaasupullosta aina kun grilliä puhdistetaan tai huolletaan. Grillin pitää olla kylmä kun näihin toimenpiteisiin ryhdytään. Vuototesti on tehtävä vuosittain ja aina kun joku kaasujärjestelmästä vaihdetaan joku komponentti tai kun tunnet kaasunhajua.

**Poltin:** Poltin on valmistettu laadukkaasta 304 ruostumattomasta teräksestä, mutta erittäin kova lämpö ja syövyttävä ympäristö voivat aiheuttaa korroosiota polttimen pinnoille. Tämä voidaan poistaa messinkipäisellä puhdistusharjalla.



**VAROITUS!** Varo hämähäkkejä.

Kaasupullon ponneaine houkuttaa hämähäkkejä ja hyönteisiä. Polttimen ilmaventtiilissä on hyönteisverkko, jonka tarkoituksena on estää hyönteisiä pääsemästä ja rakentamasta pesiä polttimen sisälle. Se ei kuitenkaan kokonaan poista ongelmaa. Pesä tai seitti voi aiheuttaa polttimen hennon keltaisen tai oranssin liekin tai tulipalon (liekin takaisinlyönnin) säätöpaneelin alla olevassa ilmaluukussa. Polttimen sisäpuolen puhdistamiseksi poltin täytyy poistaa grillistä: irrota ruuvi(t) jotka kiinnittävät tulikanavan rungon pohjaan. Poista poltin liu'uttamalla sitä taakse ja ylös. Puhdistaminen: Käytä taipuisaa polttimen puhdistusharjaa ja puhdista poltin sisältä. Ravistele irtonaiset jäänteet ulos polttimesta kaasun tuloaukon kautta. Tarkista, ovatko polttimen ja venttiilin aukot tukossa. Polttimen aukot saattavat tukkeutua ajan mittaan kerääntyvän ruoanvalmistusjäänteiden ja ruostumisen johdosta. Käytä avattua paperiliitintä. Tarkista ettei polttimen venttiilit tai hanoissa ole tukoksia. Aukkojen puhdistus on helpompaa, jos poltin on irrotettu grillistä, mutta ne voi puhdistaa myös polttimen ollessa asennettuna.

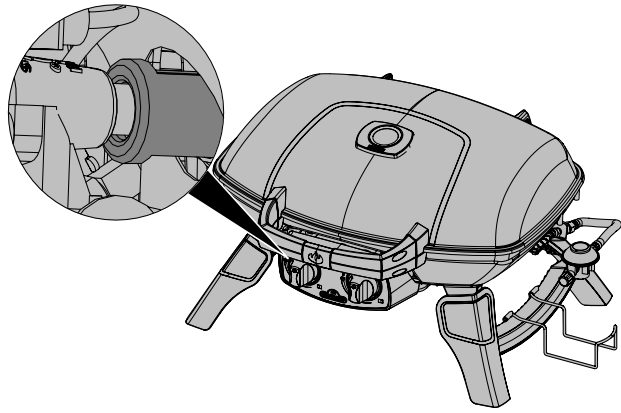
**VAROITUS!** Varo laajentamasta aukkoja

Varmistu että hyönteisverkko on puhdas, paikoillaan ja tiukka ja ettei siinä ole nukkaa tai muita jäänteitä.

**Takaisinasennus:** Asenna poltin uudelleen seuraten ohjeita lopusta alkuun. Varmista asentaessa, että venttiili menee polttimeen. Laita tulikanavat paikoilleen ja ruuvaa kiinnittäaksesi polttimet paikoilleen.



**VAROITUS!** Kun asennat takaisin kaasupoltinta puhdistuksen jälkeen on erittäin tärkeää tarkistaa että kaasunhanan pää ja suutin menevät polttimon sisään ennen kuin sytytät grillin. Mikäli hanan pää ei ole polttimon sisällä, se voi aiheuttaa tulipalon tai räjähdysen.



**VAROITUS!** Tarkista säännöllisesti kaasuletkun kunto: mahdolliset kulumat, halkeamat. Jos havaitset mitään näistä, älä käytä grilliä. Vaihda letku uuteen hyväksytyyn letkuun.



# VIANETSINTÄ

Ongelma	Mahdolliset syyt	Ratkaisu
Matala lämpö / Pieni liekki vaikka polttimet ovat täydellä teholla.	Tukos.  Vääränlainen esilämmitys.  Kaasupullo tyhjentymässä	Tarkista mahdolliset hämähäkinseitit polttimesta ja sen putkesta.  Esilämmitä molemmilla polttimoilla täydellä teholla noin 5-15 minuuttia.  Vaihda kaasupullo
Liiallinen liekin räsihöhtely/epätasainen lämpö.	Vääränlainen esilämmitys  Rasvapellile/-kupille kertynyt liiallinen rasva ja karsta.	Esilämmitä molemmilla polttimoilla täydellä teholla noin 5-15 minuuttia.  Puhdista rasvapelti/-kuppi säännöllisesti. Älä vuoraa kuppia aluminifoliolla. Katso puhdistusohjeet.
Polttimet palavat keltaisella liekillä, ja tunnet kaasun hajua.	Tukos kaasujärjestelmässä, hämähäkin seitti, muu karsta.	Irrota poltin ja puhdista se kauttaaltaan. Katso yleiset huolto-ohjeet.
Liekit poistuvat polttimosta, tunnet kaasunhajua ja sinulla on vaikeuksia sytyttää grilliä.	Vääränlainen ilmansäätö polttimessa.	Ota yhteyttä maahantuojaan.
Poltin ei syty piezolla mutta sytty tulitikulla tai erillisellä sytyttimellä.	Jet-fire sytytyksen ulostulossa on likaa tai se on tukossa.	Puhdista jet-fire ulostulo pehmeällä harjaspäällä.
”Maali” kuoriutuu kuvun sisältä.	Rasvaa kertynyt kuvun sisäpinnolle.	Tämä ei ole vika. Kuvun sisäosat ovat ruostumatonta terästä eivätkä ne kuoriudu. Tämä johtuu kovettuneen rasvan kuivumisesta, joka kuoriutuu pois. Säännöllinen puhdistaminen estää tämän. Katso puhdistusohjeet.
Polttimen teho ”korkealla” on liian matala. (Jyrisevä ääni ja ja humiseva liekki polttimen pinnalla.)	Kaasu loppunut.  Nestekaasuletku taittunut.  Tukkiutunut polttimen aukko.  Hämähäkin seittiä tai muuta karstaa polttimessa.	Vaihda kaasupullo.  Aseta letku siten ettei siihen tule taitoksia tai vaihda letku mikäli tarpeen.  Puhdista poltin.  Puhdista poltin kauttaaltaan irrottamalla se.

***Pidä tallessa ostokuitti jota vastaan takuu on voimassa.***

# Varaosan tilauslomake

## ***Takuuinformaatio***

Malli: \_\_\_\_\_

Ostopäivä: \_\_\_\_\_

Sarjanumero: \_\_\_\_\_

## ***Tallenna tämä yllä olevaan paikkaan heti kun olet ostanut grillin jolloin tieto löytyy helposti.***

Ennen kuin otat yhteyden asiakasratkaisut, tarkista Napoleon website [www.napoleongrills.com](http://www.napoleongrills.com) tai [www.napoleongrills.fi](http://www.napoleongrills.fi) . Puhdistukseen, huoltoon, probleematilanteiden ratkaisuun ja varaosien numerointiin - Ota yhteyttä maahantuojaan takuuasioissa ja/tai varaosa tiedusteluissa. MAAHANTUOJA KAASUVALO OY PORTTIKAARI 18, 01200 VANTAA. P (09) 8689 300 [kaasuvalo@kaasuvalo.fi](mailto:kaasuvalo@kaasuvalo.fi)

Varaosaa tilattaessa tarvitsemme seuraavan informaation:

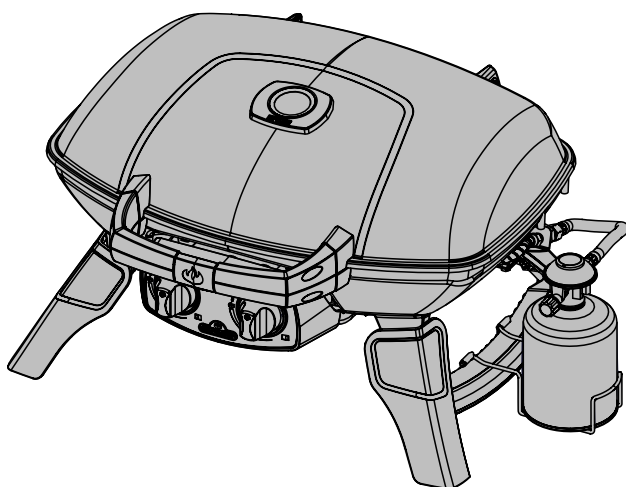
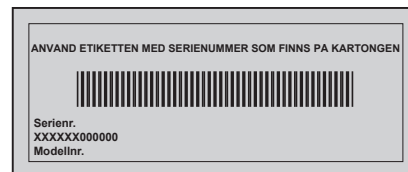
1. Malli ja sarjanumero
2. Osanumero ja kuvaus
3. Tarkka ohje vian laadusta ("riikki" ei riitä)
4. Kopion ostokuitista

Joissakin tapauksissa voi asiakasratkaisut pyytää palauttamaan viallisen osan jotta vian laatu voidaan tarkistaa. Nämä osat täytyy palauttaa asiakaspalvelun antamien ohjeiden mukaisesti ja yllä olevien tietojen lisäksi palautukseen on merkittävä lähettäjän nimi ja täysi osoite sekä puhelinnumero. Osaa ei saa palauttaa ennen kuin otat yhteyden asiakaspalveluun joka ilmoittaa mikäli palautus on tarpeen tai miten se pitää toimittaa maahantuojalle.

Ennen kuin otat yhteyden asiakasratkaisut huomioi että seuraavat osat eivät kuulu takuun piiriin:

- Kuljetusmaksut eivätkä tullit
- Osan irrottamis- ja uudelleen asentamisen aiheuttamat työkustannukset
- Puhelinkulut
- Ruostumattoman teräksen värimuutokset jotka aiheutuvat käytöstä
- Osan toimimattomuus joka johtuu väärän puhdistusaineen käytöstä tai puutteellisesta puhdistuksesta.

Gasolgrillen får endast användas utomhus i ett välventilerat utrymme och får inte användas inomhus, i ett garage, inbyggd veranda, lusthus eller något annat tillslutet utrymme.



**SÄILYTÄ TÄMÄ OHJE**

**TQ285**



### **FARA**

#### **OM DU KÄNNER GASLUKT:**

- Stäng av gasen till anordningen.
- Släck eventuella öppna lågor.
- Öppna locket.
- Håll dig undan från anordningen om lukten kvarstår och kontakta genast din gasleverantör eller brandkåren.



### **VARNING**

Försök inte tända anordningen utan att först läsa avsnittet med instruktioner för "TÄNDNING" i denna handbok. Förvara eller använd inte bensin eller andra lättantändliga vätskor eller ångor i närheten av denna eller någon annan anordning. En lågtryckscylinder som inte är ansluten för användning får inte förvaras i närheten av denna eller någon annan anordning. Om informationen i dessa instruktioner inte följs exakt kan brand eller explosion uppstå och orsaka egendomsskada, personskada eller dödsfall.

SE

Meddelande till installatören: Lämna instruktionerna hos grillens ägare för framtida referens.



N415-0289CE-W MAR 27.18

Wolf Steel Europe BV  
Poppenbouwing 29-31, 4191 NZ Geldermalsen,  
CCI No. 51509970, THE NETHERLANDS  
[info@napoleongrills.nl](mailto:info@napoleongrills.nl)

[www.napoleongrills.com](http://www.napoleongrills.com)

## Begränsad garanti för gasolgrillen Napoleon President



NAPOLEON-produkter är konstruerade med förstklassiga komponenter och material och är monterade av utbildade hantverkare med stor yrkesskicklighet och noggrannhet. Denna grill har noggrant inspekterats av en kvalificerad tekniker innan paketering och frakt för att säkerställa att du som kund får den kvalitetsprodukt du förväntar dig av NAPOLEON.

NAPOLEON's begränsade livstidsgaranti gäller under följande perioder:

Gjutna delar av aluminium.....	<b>10 år</b>
Grillbalja - rostfritt stål.....	<b>10 år</b>
Lock - rostfritt.....	<b>10 år</b>
Lock - porslinsmaljerat.....	<b>10 år</b>
Lock - lackerat.....	<b>5 år, plus "50 % rabatt" t.o.m. år 10</b>
Brännarrör - rostfria.....	<b>5 år, plus "50 % rabatt" t.o.m. år 10</b>
Grillgaller - porslinsmaljerat gjutjärn.....	<b>5 år, plus "50 % rabatt" t.o.m. år 10</b>
Droppskydd – rostfria eller porslinsmaljerade.....	<b>3 år, plus "50 % rabatt" t.o.m. år 10</b>
Övriga delar.....	<b>2 år</b>

### \*Villkor och begränsningar

NAPOLEON garanterar dess produkter mot fabrikationsfel enligt ovanstående tabell förutsatt att inköpet gjordes hos en auktoriserad NAPOLEON-återförsäljare samt att produkten använts för normal privat användning. Denna garanti kan inte på något sätt överlåtas utan gäller endast för den ursprungliga köparen.

"50 % rabatt" i ovanstående tabell innebär att köparen erbjuds att, efter utgången garantitid, köpa reservdelar med 50 % rabatt på gällande pris.

Med "Normal privat användning" menas att produkten har installerats enligt medföljande manual, installationen uppfyller gällande lokala och nationella föreskrifter, underhållits enligt medföljande manual och inte använts för kommersiellt syfte.

Inbyggnads- samt naturgasgrillar som ska kopplas till fast anslutning måste installeras av en licensierad, auktoriserad servicetekniker eller installatör. Installationen ska utföras i enlighet med de anvisningar som medföljer produkten samt lokala och nationella bygg- och brandföreskrifter.

Denna garanti täcker inte skador som orsakats av överhettning eller att lågan slocknar p.g.a. t.ex. miljöfaktorer som stark vind eller otillräcklig ventilation, repor, bucklor, ytrost, missfärgning av lackerade eller målade delar, missfärgning orsakad av värme, slipmedel, rengöringsmedel eller UV-exponering, flisning på delar av porslinsmaljerat gjutjärn. Garantin gäller inte heller skador som orsakats av felaktig användning, olyckshändelse, hagelskurar, fettbränder,

bristande underhåll, miljöer med höga halter av klor eller salt, modifieringar, missbruk eller försummelse. Även att använda delar från andra tillverkare upphäver garantin. Om delar inom garantitiden blir så pass defekta att de inte längre uppfyller sin funktion, kommer en reservdel att tillhandahållas.

NAPOLEON's garantiåtagande omfattar endast att tillhandahålla en utbytesdel och omfattar inte ersättning för eventuella kostnader för installation, arbete eller andra kostnader eller utgifter i samband med ominstallation av garanterad del. Man ansvarar inte heller för eventuella transportkostnader eller tullavgifter.

Denna garanti är ett komplement till gällande lokala lager och föreskrifter. Följaktligen innebär inte denna garanti att NAPOLEON har någon skyldighet att lagerhålla reservdelar. Baserat på tillgång av reservdelar, kan NAPOLEON besluta att istället för utbytesdel tillhandahålla en ny produkt till rabatterat pris. Efter det första året, kan NAPOLEON trots gällande garantier, välja att istället för att tillhandahålla reservdelar ge återförsäljaren en återbetalning på det belopp som motsvarar hans inköpspris för den defekta delen.

Kvitto eller kopia på köpet ska uppvisas tillsammans med bild på typskylt med serienummer och bild på defekt del när det görs anspråk på garantin. NAPOLEON förbehåller sig rätten att låta en representant inspektera den defekta produkten eller delen innan eventuell åtgärd genomförs. Vid anspråk på garantin ska köparen först vända sig till inköpsstället av produkten och i andra hand till generalagenten i det land som grillen är köpt.

SE



napoleongrills.com

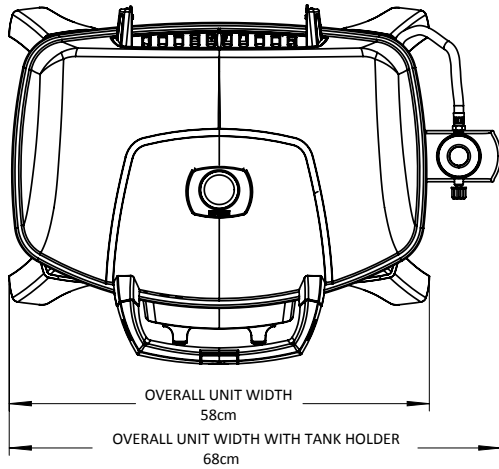


**VARNING!** Om instruktionerna inte efterföljs, kan detta resultera i egendomsskada, personskada eller dödsfall. Läs och följ alla varningar och instruktioner i denna handbok innan grillen används.

## Säkra rutiner för användning

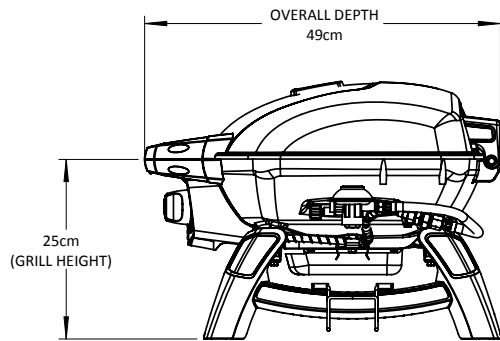
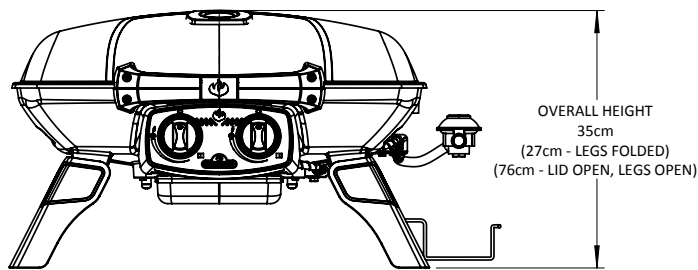
- Denna gasolgrill måste monteras exakt enligt manualens instruktioner. Om grillen överlämnats ihopmonterad, måste du granska instruktionerna för montering för att säkerställa att den är korrekt monterad och utföra nödvändiga läcktest innan grillen används.
- Läs hela manualen innan gasolgrillen används.
- Gasolgrillen får endast användas utomhus i ett välventilerat utrymme och får inte användas inomhus, i ett garage, inbyggd veranda eller något annat tillslutet utrymme.
- Grillen är utformad för gasol, butan eller propan-butan-blandning.
- Placera inte grillen i en blåsig omgivning. Kraftig vind påverkar gasolgrillens tillagningsförmåga negativt.
- Grillen får absolut inte byggas om. Delar som tillhandahålls av tillverkare eller återförsäljare får inte modifieras av användaren.
- Använd inte enheten under någon brännbar konstruktion.
- Håll ett lämpligt avstånd till brännbara föremål (457 mm till enhetens baksida eller sidor). Ett ytterligare avstånd rekommenderas nära vinylbeklädnad eller glasrutor.
- Gasolslangen måste installeras på ett sådant sätt att den inte kommer i kontakt med några varma ytor vid varken användning eller förvaring.
- Gasolflaskan ska vara bortkopplad när grillen inte används.
- När gasolflaskan är ansluten måste grillen och flaskan förvaras utomhus i väl ventilerade utrymmen.
- När gasolgrillen förvaras inomhus, måste gasolflaskan kopplas loss från grillen och förvaras utomhus i ett välventilerat utrymme. Frånkopplade tuber får inte förvaras i en byggnad, garage eller annat stängt utrymme.
- Kontrollera gasslangen innan varje användning. Om slangen är överdrivet sliten måste den bytas ut mot en utbytesslang enligt grilltillverkarens anvisningar innan gasgrillen används.
- Förvara aldrig en reservgastub under eller nära grillen.
- Dra inte slangen under dropptråget. Slangen måste alltid hållas borta från enhetens underdel.
- Läcktesta alla anslutningar innan de används första gången (även om grillen köptes färdigmonterad), årligen samt var gång någon gaskomponent har bytts ut.
- Följ noggrant instruktionerna för tändning när grillen används.
- Tänd inga brännare när locket är stängt.
- Vuxna och speciellt barn ska uppmärksammas på farorna med de höga yttemperaturerna. Små barn ska hållas under uppsikt när de är i närheten av grillen.
- Lämna inte grillen obevakad när den används.
- Flytta inte på grillen när den är varm eller när den används.
- Håll eventuella strömsladdar och gasolslangar borta från uppvärmda ytor.
- Se till att droppskyddet, i de fall det finns, är korrekt placerat enligt instruktionerna för montering av droppskydd.
- Rengör fettuppsamlare och droppskydd regelbundet för att undvika pålagringar, vilka kan orsaka fettbränder.
- Använd inte vatten, öl eller annan vätska för att kontrollera flammor.
- Använd inte högtryckstvätt för rengöring av någon komponent.
- Grillen är inte avsedd för kommersiellt bruk.
- Grillen är inte avsedd för och får aldrig användas för uppvärmning.

# Dimensioner



**TQ285 GRILL**

GRILL SIZE: 37 cm X 54 cm (IRREGULAR) = 1840 cm<sup>2</sup>  
ALL DIMENSIONS ARE APPROXIMATE



SE

## Hanteras varsamt



**WARNING!** Var försiktig när du hanterar eller transporterar din grill för att förhindra skador och förskjutning av invändiga delar. Även om denna grill har utformats med rörlighet i åtanke, kommer ovarsam hantering eller missbruk resultera i skador på invändiga delar som gör att din grill inte kommer att fungera korrekt.



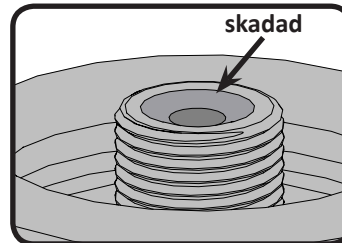
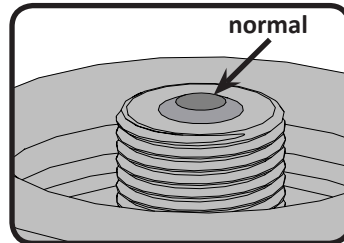
## Korrekt avfallshantering av produkten

Denna märkning indikerar att produkten inte ska kastas med annat hushållsavfall inom hela EU. Återvinn produkten ansvarsfullt för att stödja hållbar återanvändning av materiella resurser samt för att förhindra möjlig skada på miljön eller människors hälsa av okontrollerad avfallshantering. Använd retur- och insamlingssystem för att returnera din begagnade anordning eller kontakta återförsäljaren där produkten köptes. De kan ta hand om produkten för en miljövänlig återvinning.

## Gasflaskor, ej påfyllningsbara

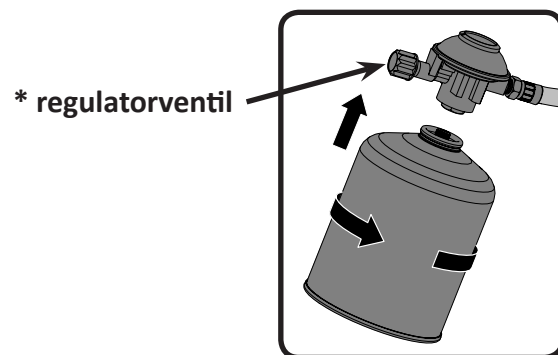
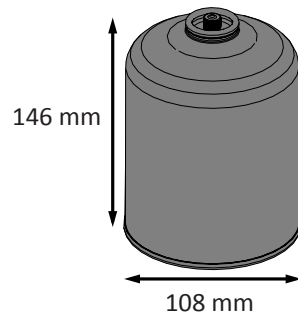
Använd endast gasflaskor som uppfyller nationella och regionala normer. För optimal prestanda ska grillen drivas med propangas. Ej påfyllningsbara flaskor måste uppfylla kraven enligt EN417 och vara utrustade med självstängande ventil. Flaskornas kapacitet ska vara mellan 430 g och 460 g och innehålla antingen gasol (propan) eller en blandning av propan och butan.

- Inspektera gummi-o-ringen på regulatorn. Om det finns skador byta regulatorn.
- Anslut aldrig en flaska, som inte uppfyller lokala bestämmelser.
- Gasolflaskan måste alltid vara fäst vid sidan av grillen i en upprätt position med hjälp av dess hållare.
- Reservflaskor får inte förvaras i skåpet eller i omedelbar närhet till en enhet som används. Gasflaskan får inte utsättas för extrem hetta eller direkt solljus.
- Spänn aldrig fast flaskan för hårt eftersom det kan skada regulatorns anslutning eller flaskanslutningen. Detta kan orsaka läckage eller begränsa flödet till enheten.



**WARNING!** Gå igenom instruktionerna på gasolflaskan innan användning. En bucklig eller rostig flaska kan vara farlig, kassera om det finns rostpartiklar eller smuts i anslutningsområdet. Ta bort ev. plastplugg på flaskan och skruva in regulatorn medurs. Dra åt för hand, använd aldrig verktyg.

Läcktesta alla sammanfogningar innan grillen används. Läcktest måste utföras årligen, samt var gång en tub ansluts eller om någon del av gassystemet byts ut. Ej påfyllningsbara flaskor skall fästas på sidan av grillen, i upprätt läge, med hjälp av den medföljande hållaren. Detta förhindrar att flytande propan/butan kommer in i regulatorn, vilket kan leda till överbränning och skada på regulatorn.



\* För säker användning, säkerställ att flaskan är ordentligt fastskruvad.



### VARNING!

- Dra inte slangen under droppråget.
- Säkerställ att alla kopplingar är åtdragna. Använd två skruvnycklar. Använd inte teflontejp eller gängpasta på någon slangkoppling.
- Säkerställ att slangen inte kommer i kontakt med någon het yta. Den kan då smälta och läcka och därmed ge upphov till brand.

## Gaslang

- Om slang eller reglage inte levereras från tillverkaren, får endast sådana slangar och reglage som uppfyller nationella och regionala normer användas.
- Säkerställ att slangen inte kommer i kontakt med fett, annat hett spill eller någon annan het yta på anordningen.
- Kontrollera slangen regelbundet. Om den har revor, har smält eller är sliten, byts slangen ut innan anordningen används. • Rekommenderad slanglängd är 0,9 m. Slangens längd får inte överstiga 1,5 m.
- Säkerställ att slangen är fri från trassel när den monteras.
- Byt ut slangen innan det utgångsdatum som är tryckt på den.

## Teknisk data

Följande tabell innehåller anordningens ingångsvärden.

Brännare	Mynningens storlek		(brutto) Värmetillförsel (total)		Gasanvändning (total)	
	I	II	I	II	I	II
	#69 (0.74 mm)	#73 (0.61 mm)	4.1kW	4.1kW	301 g/hr	301 g/hr

Godkända gaser och tryck. Kontrollera märkskylt för att säkerställa att det överensstämmer med följande lista.

Gaskategori	'3B/P(30)	'3+(28-30/37)	'3B/P(50)
Öppningsstorlekar (se ovan)	I	I	II
Gaser och tryck	Butan och propan vid 30 mbar	Butan 28-30 mbar Propan 37 mbar	Butan och propan vid 50 mbar
Länder	BE, BG, CY, DK, EE, FI, FR, GB, HR, HU, IS, IT, LT, LU, MT, NL, NO, RO, SE, SI, SK, TR	BE, CH, CY, CZ, ES, FR, GB, GR, IE, IT, LT, LU, LV, PT, SK, SI	AT, CH, DE, SK

Manipulera eller modifiera inte med reglaget. Använd enbart reglage som klarar det tryck som anges i tabellen ovan. Vid utbyte får endast sådant reglage användas som anges av tillverkaren.



## Användning av grill ovanpå bordskivor

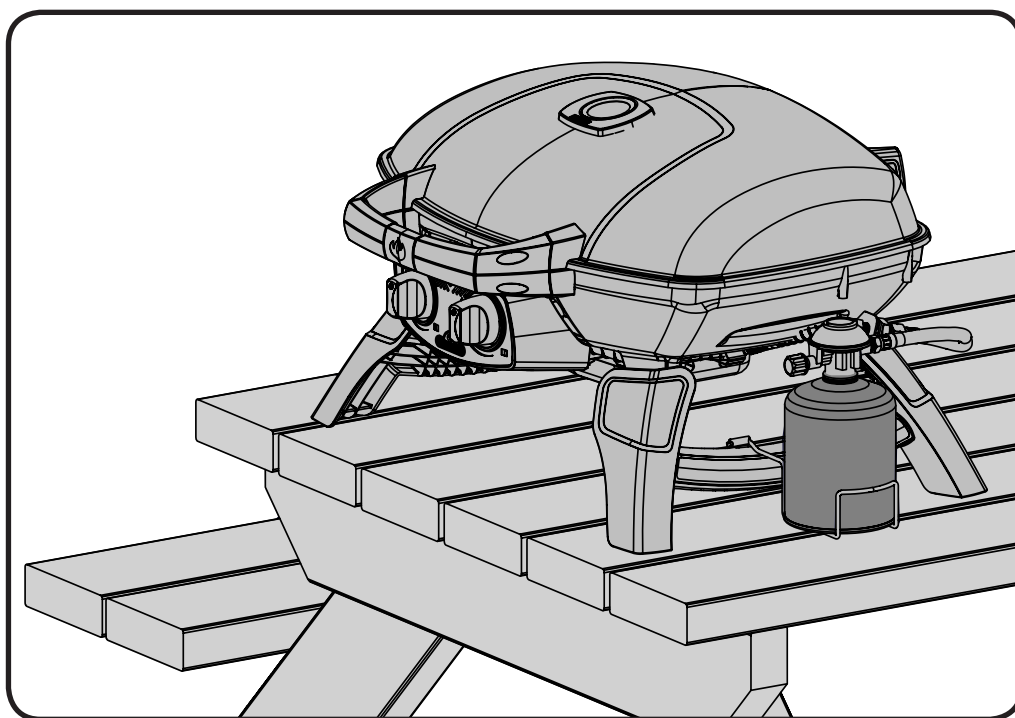
TQ285 har utformats med flexibilitet i fokus och de uppfällbara benen gör att TQ285 kan placeras på de flesta bordsskivor. Benen viks ut och låses på plats och viks tillbaka när du ska förflytta dig.



**WARNING!** Båda benen måste vikas ut vid användning.



**WARNING!** Använd inte grillen på bordsskivor av plast eller glas.



## Instruktioner för läcktest



**WARNING!** Läcktest måste utföras årligen samt var gång en tub ansluts eller om någon del av gassystemet byts ut.



**WARNING!** Använd aldrig en öppen låga för att leta efter gasläckor. Se till att inga gnistor eller öppna lågor finns i området när du letar efter läckor. Gnistor eller öppna lågor resulterar i brand eller explosion, egendomsskada, allvarlig kroppsskada eller dödsfall.



**Läcktest:** Detta måste utföras innan grillen används första gången, årligen samt var gång någon gaskomponent har bytts ut eller reparerats. Rök inte medan testet utförs och avlägsna allt som kan antändas. Läs mer i Diagram för läcktest för att se vilka områden som ska kontrolleras. Stäng av alla brännarreglage. Slå på ventilen för gastillförsel.

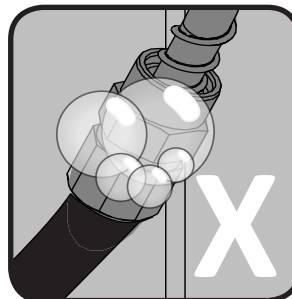
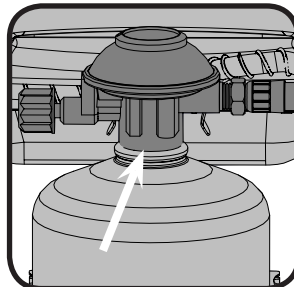
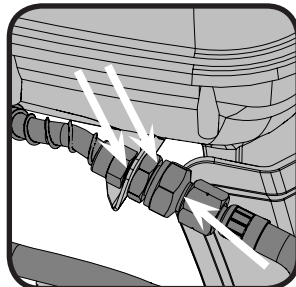
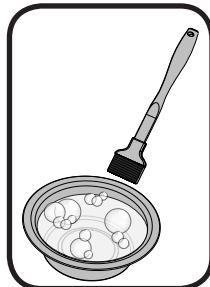
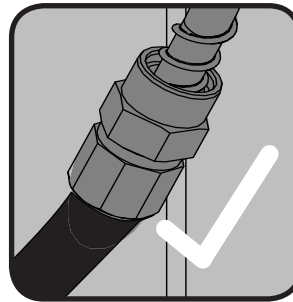
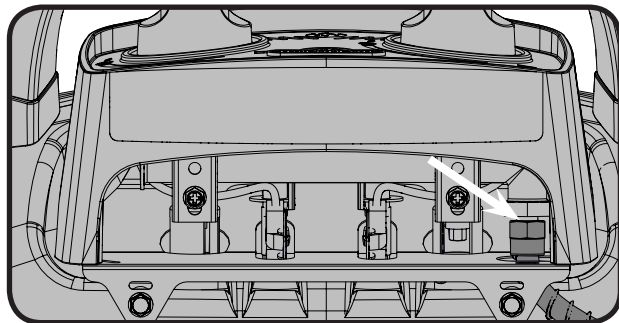


Pensla på en lösning av hälften flytande två och hälften vatten på alla skarvar och kopplingar på reglage, slang, grenrör och ventiler.

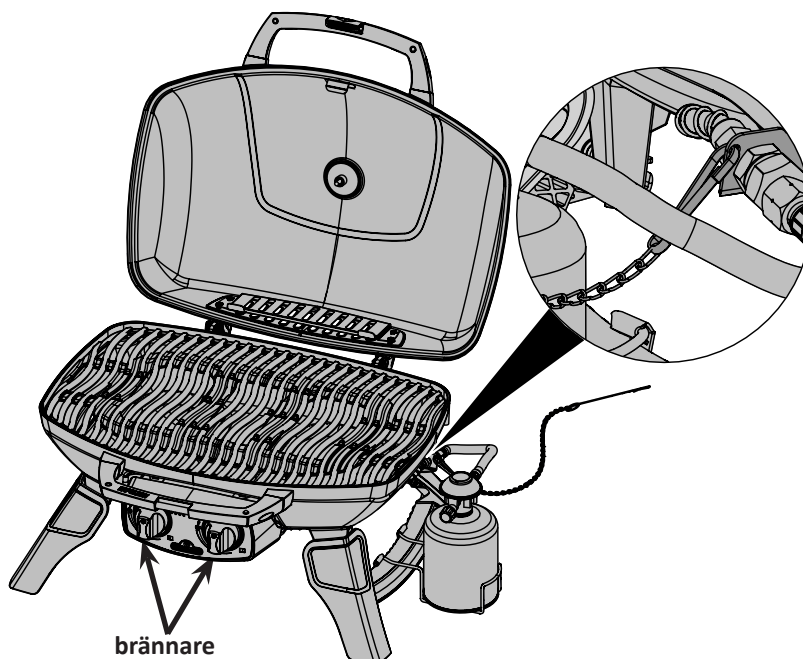


Bubblor indikerar en gasläcka. Dra antingen åt de lösa skarvarna eller byt ut delen mot en som rekommenderas av Napoleons kundtjänst och låt en auktoriserad gasinstallatör kontrollera grillen.

Slå genast av gastillförseln om läckan inte kan stoppas. Koppla från gastillförseln och låt en auktoriserad gasinstallatör eller försäljare kontrollera grillen. Använd inte grillen förrän läckaget är avhjälpt.



# Instruktioner för tändning



**VARNING!** Öppna locket

**VARNING!** Säkerställ att alla brännarreglage är avstängda. Slå på ventilen för gastillförsel.

## Tändning av huvudbrännare

1. Öppna grillens lock.
2. Tryck in och vrid sakta kontrollvredet på huvudbrännaren till läget "hi". På så sätt tänds tändlågan som i sin tur tänder vald brännare.
3. Om lågan inte tänds ska kontrollvredet omedelbart vridas tillbaka till läget "off" varefter steg 2 upprepas flera gånger.
4. Om lågan eller brännaren inte tänds inom 5 sekunder vrids kontrollknappen till läget "off". Vänta 5 minuter så att överskottsgasen försvinner. Upprepa steg 2 och 3 eller tänd med en tändsticka.
5. Om enheten skall tändas med en tändsticka, placera tändstickan i den medföljande tändstaven. Håll den tända stickan ned i grillen vid droppskyddet medan motsvarande brännarventil vrids till tändläge.



SE

## Instruktioner för tillagning



**VARNING!** Använd inte denna grill under utfällda markiser då det kan leda till brand eller personskada.



**FARA!** Placera inte denna grill i förvaringsutrymme eller reseläge direkt efter användning. Låt grillen svalna till beröringstemperatur innan den flyttas eller förvaras. Underlåtenhet att göra detta kan resultera i en brand som kan resultera i skador på egendom, personskada eller dödsfall.

**Första tändning:** När gasgrillen tänds första gången avger den en lätt doft. Detta är ett helt normalt och tillfälligt tillstånd som orsakas av inbränningen av inre färger och smörjmedel som används under tillverkningen och kommer inte att uppstå igen. Kör bara huvudbrännarna på hög i ungefär en halvtimme.

**Användning av huvudbrännare:** När mat ska brynas, rekommenderar vi att grillen värms upp genom att alla brännare sätts på högsta värme med stängt lock i ungefär tio minuter. Mat som ska tillagas under kortare tid (fisk och grönsaker) kan grillas med öppet lock. Tillagning med stängt lock ger högre och jämnare temperaturer som kan minska tillagningstiden och ge en jämnare tillagning. Livsmedel med längre tillagningstid än 30 minuter, som exempelvis stekar, kan tillagas indirekt (där den brännare tänds som är mitt emot matens placering). Vid tillagning av magert kött, som kycklingbröst eller magert fläskkött, kan gallren oljas innan uppvärmning för att minska risken för att det fastnar. Tillagning av kött med högt fettinnehåll kan orsaka uppfламning. Putsa bort fettet eller sänk temperaturen för att förhindra detta. Flytta köttet från flammorna och sänk värmen om uppfламning uppstår. Lämna locket öppet. Se Napoleons kokbok Grillning för alla säsonger för mer information.

## Instruktioner för rengöring



**VARNING!** Använd alltid skyddshandskar och skyddsglasögon vid rengöring av grillen.



**VARNING!** För att undvika risken för brännskador ska underhållsarbete endast utföras när grillen är kall. Undvik oskyddad kontakt med varma ytor. Säkerställ att alla brännare är avstängda. Rengör grillen på en yta där rengöringsmedel inte skadar altandäck, gräsmatta eller uteplats. Använd inte rengöringsmedel för ugn för att rengöra någon del av denna gasogrill. Använd inte en självrengörande ugn för att rengöra grillgaller eller någon annan del av gasogrillen. Grillsås och salt kan vara frätande och ger en snabb försämring av gasogrillens delar om de inte rengörs regelbundet.



**Observera:** Rostfritt stål har en förmåga att oxideras eller fläckas tillsammans med klorid eller sulfid, i synnerhet längs med kusten och annan kärvt miljö som exempelvis den varma, fuktiga luften runt pooler och badtunnor. Dessa fläckar kan uppfattas som rost men kan enkelt avlägsnas eller förhindras. Tvätta alla ytor i rostfritt stål med rent vatten och/eller rengöringsmedel för rostfritt stål var tredje till fjärde vecka eller så ofta som krävs för att förhindra och avlägsna fläckar.

**Grillgaller i gjutjärn:** De grillgaller i gjutjärn som medföljer din nya grill har en överlägsen förmåga att bevara och fördela värmen. Genom att regelbundet smörja gallren tillför du ett skyddande hölje som står emot rost och gör att maten inte fastnar på gallret.

**Första gången gallret används:** Tvätta grillgallren för hand med mildt diskmedel och vatten för att avlägsna eventuella rester från tillverkningsprocessen (diska aldrig gallren i diskmaskin). Skölj noga med varmt vatten och torka helt med en mjuk trasa. Detta är viktigt för att undvika att fukt kommer in i gjutjärnet.

**Smörjning:** Använd en mjuk trasa, fördela VEGETABILISKT MATFETT över gallrets hela yta och se till att alla räfflor och hörn är täckta. Använd inte saltade fetter som smör eller margarin. Värm upp grillen i 15 minuter och placera därefter de insmorda grillgallren i grillen. Vrid brännarreglaget till medium med locket stängt. Låt grillgallren värmas i ungefär en halvtimme. Vrid alla brännare till läget "AV" och stäng av gasen vid källan. Låt grillgallren vara kvar tills de har svalnat. Denna procedur ska upprepas flera gånger under säsongen, även om det inte krävs för daglig användning (följ proceduren för daglig användning nedan).

**Daglig användning:** Täck grillgallrets hela övre yta med VEGETABILISKT MATFETT innan uppvärmning eller rengöring med en borste med mässingsborst. Värm upp grillen och borsta därefter bort oönskade rester med en borste med mässingsborst.

**Rengöring inuti gasogrillen:** Ta bort grillgallren. Använd en borste med mässingsborst för att rengöra löst skräp från gallrets sidor samt från locket insida. Sopa ner allt skräp från gasogrillens insida i dropptråget.

**Dropptråg:** Lagrat fett är en brandrisk. Rengör dropptråget ofta (efter 4-5 användningar eller så ofta som behövs) för att undvika påbyggnad av fett. Fett och överskottsdroppar passerar genom dropptråget under gasolgrillen och samlas i engångsfettuppsamlaren under dropptråget. Dra loss dropptråget från grillen för att komma åt engångsfettuppsamlaren eller för att rengöra dropptråget. Fyll aldrig dropptråget med aluminiumfolie, sand eller något annat material eftersom detta kan förhindra att fett flyter korrekt. Tråget ska skrapas ur med en spackelkniv eller skrapa.



**OBSERVERA!** Säkerställ att dropptråget är tomt och rengjort innan grillen transporteras vertikalt.

**Rengöring av yttre grilllyta:** Använd inte rengöringsmedel med slipmedel eller stålull på några målade, emaljerade eller rostfria delar av din Napoleon-grill. Detta kommer att repa ytan. Yttre grilllytor ska rengöras med varmt tvålatten medan metallen fortfarande känns varm. Använd rengöringsmedel för rostfritt stål eller utan slipmedel för rengöring av ytor i rostfritt stål. Torka alltid i fibrernas riktning. Med tiden missfärgas delar i rostfritt stål av uppvärmningen, vanligtvis till en gyllene eller brun nyans. Missfärgningen är normal och påverkar inte grillens prestanda. Emaljerade delar måste hanteras med extra försiktighet. Den emaljerade ytan är glasliknande och flisas lätt vid slag. Emalj för förbättring av ytan finns att köpa från din Napoleon-återförsäljare.

## Instruktioner för underhåll

Vi rekommenderar att denna gasolgrill kontrolleras och servas årligen av kvalificerad servicepersonal.

Se alltid till att området runt gasolgrillen är fritt från brännbara material, bensin eller andra lättantändliga gaser och vätskor. Blockera inte ventilationen eller utströmningen av förbränningsluft.



**VARNING!** Använd alltid skyddshandskar och skyddsglasögon vid rengöring av grillen.



**VARNING!** Stäng av gasen vid källan och koppla bort enheten innan service. För att undvika risken för brännskador ska underhållsarbete endast utföras när grillen är kall. Läcktest måste utföras årligen samt var gång någon komponent i gaskedjan har bytts ut eller gasluktt förekommer.



**Gasolbrännare:** Brännarna är gjorda av tjockt rostfritt stål 304, men extrem hetta och en korroderande miljö kan orsaka rost på ytan. Denna kan avlägsnas med en borste med mässingsborst.

**VAR FÖRSIKTIG!** Se upp för spindlar.

Spindlar och insekter dras till lukten av propan eller naturgas. Brännaren är utrustad med ett insektsnät på luftspjället, vilket minskar risken för att insekter bygger bo inuti brännaren men eliminerar inte problemet helt. Ett bo eller spindelväv kan få brännaren att brinna med en mjuk gul eller orange låga eller orsaka en brand (bakeld) vid luftspjället under kontrollpanelen. Vid rengöring av brännarens insida måste den avlägsnas från gasolgrillen: Avlägsna skruven (-arna) som fäster korständningsplåt och brännaren vid den bakre väggen. Dra brännaren bakåt och uppåt för att ta loss den. Rengöring: Använd avsedd venturiborste att rengöra brännarens insida. Skaka ut eventuellt löst skräp från brännaren genom gasintaget. Kontrollera brännarens öppningar och ventilmynningar så att de inte är blockerade. Brännarens öppningar kan tillslutas med tiden på grund av skräp från matlagning eller korrosion. Använd ett öppnat pappersgem för att rengöra dem. Öppningarna är enklare att rengöra om brännaren tas loss från grillen, men det kan också göras när den sitter fast i grillen.

**OBSERVERA!** Se till att inte förstora hålen.

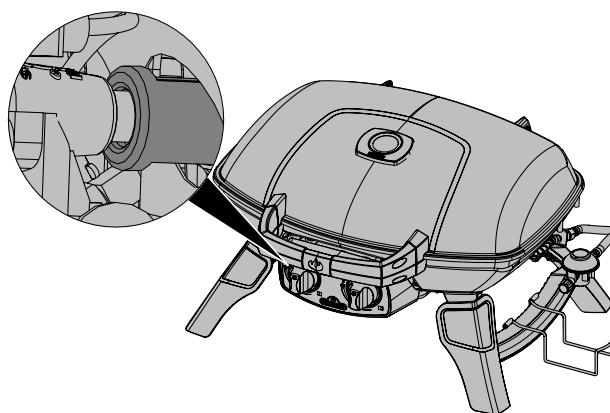
Se till att insektsnätet är rent, tätt och fritt från skräp.

**Sätta tillbaka brännaren:** Utför processen i omvänd ordning för att sätta tillbaka brännaren. Kontrollera att ventilen angör brännaren vid montering. Sätt tillbaka korständningsplåt och dra åt skruvarna ordentligt.





**WARNING!** När brännaren sätts tillbaka efter rengöring är det mycket viktigt att ventilen eller mynningen går in i brännarens rör innan gasolgrillen tänds. Om ventilen inte är innanför brännarens rör kan brand eller explosion uppstå.



**WARNING!** Slang: Kontrollera att slangen inte är sliten, smält, skuren eller har sprickor. Använd inte gasolgrillen om något av detta förekommer. Låt din Napoleon-återförsäljare eller en kvalificerad gasinstallatör byta ut delen.

# Felsökning

Problem	Möjlig orsaker	Lösning
Låg värme/liten låga när ventilen är inställd på hög.	Gasen blockeras.  Felaktig uppvärmning.  Frusen gasolflaska.	Undersök om det finns spindelnät i brännarrören eller öppningarna.  Värm upp grillen med båda huvudbrännarna på hög värme i 10-15 minuter.  Vid tillagning under längre perioder, när gasolflaska är på väg att ta slut eller vid låga utetemperaturer kan inte engångsflaskan förse grillen med tillräcklig mängd gasol. Byta gasolflaskan till en ny.
Häftiga uppflamningar/ ojämn värme.	Felaktig uppvärmning.  Överflödigt påbyggnad av fett och aska på droppskydd och i dropptråg.	Värm upp grillen med båda huvudbrännarna på hög värme i 10-15 minuter.  Rengör regelbundet droppskydd och dropptråg. Täck inte pannan med aluminiumfolie. Se instruktioner för rengöring.
Brännare brinner med gul låga tillsammans med gaslukt.	Eventuell spindelväv eller annat skräp, alternativt felaktig inställning av luftspjäll.	Rengör brännaren noga genom att ta bort den. Se allmänna instruktioner för underhåll.  Justera tillförsel av luft.
Flamnor sticker från brännarna samt luft av gasol och ev. problem att tända.	Felaktig inställning av luftspjället.	Stäng luftspjället helt och öppna det succesivt tills lågan brinner korrekt.
Brännare tänder inte automatiskt men går att tända med tändsticka.	Jet-fire-rör är smutsigt eller blockerat.	Rengör Jet-fire-rör med en mjuk borste.
De ser ut som färgavlagringar på invändiga ytor.	Fettupbyggnad på invändiga ytor.	Detta är inte ett fel. Locket är av rostfritt stål och ger inte färgavlagringar. Avlagringen orsakas av torkat fett som flagnar av likt färg. Förebygg detta med regelbunden rengöring. Se allmänna instruktioner för underhåll.
Effekten i brännarna är för låg även vid "hög" effekt. (Mullrande ljud och fladdrande blå flamma vid brännarna)	För lite gasol.  Klämda slangar.  Smutsigt eller blockerade öppningar.  Spindelnät eller annan blockering av brännarröret.	Kontrollera nivån i gasolflaskan.  Flytta slangarna.  Rengör öppningar i brännarrör.  Rengör brännarrören invändigt med avsedd venturiborste.

**BEHÅLL DITT KVITTO SOM ETT BEVIS AV INKÖPET FÖR ATT BEKRÄFTA DIN GARANTI.**

## Beställning av ersättningsdelar

### Garantiinformation

MODELL: \_\_\_\_\_

INKÖPSDATUM: \_\_\_\_\_

SERIENUMMER: \_\_\_\_\_

### **(Registrera information här för enklare referens)**

Innan kundlösningar kontaktas, kontrolleras Napoleons webbplats för mer utförliga instruktioner om rengöring, underhåll, felsökning och byte av delar på [www.napoleongrills.com](http://www.napoleongrills.com). För reservdelar och garantiärenden, kontakta din lokala återförsäljare. Förteckning hittar du på [www.napoleongrillar.se](http://www.napoleongrillar.se).

För att behandla ett garantianspråk behöver vi följande information:

1. Enhetens modell och serienummer.
2. Artikelnummer samt beskrivning.
3. En kortfattad beskrivning av problemet ("trasig" räcker inte).
4. Inköpsbevis (kopia på fakturan).

I vissa fall kan vår kundlösningar begära att delarna returneras till fabriken för kontroll innan ersättningsdelar tillhandahålls. Delarna måste skickas med förbetald frakt till kundtjänstavdelningen med följande information bifogad:

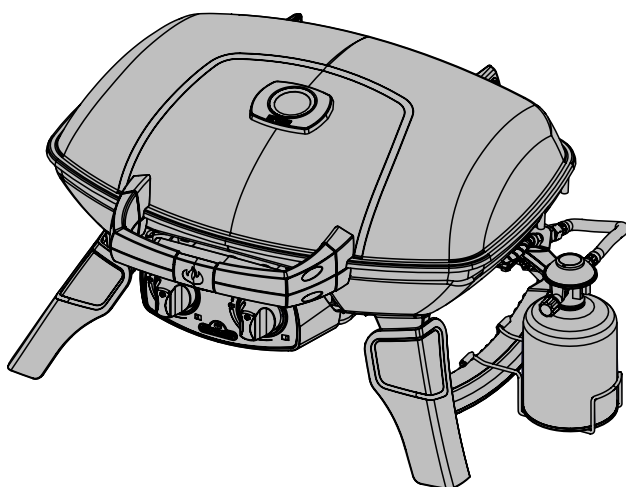
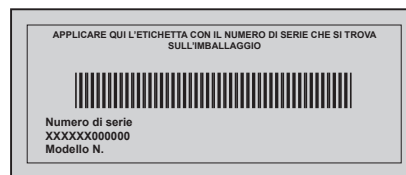
1. Enhetens modell och serienummer.
2. En kortfattad beskrivning av problemet ("trasig" räcker inte).
3. Inköpsbevis (kopia på fakturan).
4. Returnummer, erhållet av kundlösningar.

Innan Kontakta kundlösningar, notera att följande problem inte ersätts av garantin:

- Kostnad för frakt, arvode eller exporttullar.
- Arbetskostnad för borttagande och ommontering.
- Kostnader för servicesamtal för att diagnostisera problem.
- Felfärgning av delar i rostfritt stål.
- Felaktigheter orsakade av bristande rengöring och underhåll eller användning av olämpliga rengöringsmedel (ugnsrengöring).



Questa griglia a gas deve essere usata solo all'esterno, in un posto ben ventilato e non deve essere usata all'interno di edificio, garage o altre aeree chiuse.



### **PERICOLO**

#### **COSA FARE SE SENTI ODORE DI GAS:**

- Spegnerne il gas.
- Estinguere eventuali fiamme aperte
- Aprire il coperchio
- Chiamare subito il tecnico del gas o i vigili del fuoco se l'odore persiste.



### **ATTENZIONE**

Non cercate di accendere l'impianto senza prima avere preso visione della sezione "ACCENSIONE" di questo manuale.

Per la tua sicurezza non tenere o usare benzina o altre sostanze infiammabili nelle vicinanze di questo od altri impianti.

Una bombola di gas propano non collegata all'uso non deve essere accantonata vicino all'impianto.

Se le informazioni di queste istruzioni non sono seguite in modo esatto potrebbe verificarsi un' esplosione che causera' seri danni a cose e persone o morte.

Conservare il presente Manuale Per Riferimenti Futuri



N415-0289CE-W MAR 27.18

Wolf Steel Europe BV  
Poppenbouwing 29-31, 4191 NZ Geldermalsen,  
CCI No. 51509970, THE NETHERLANDS  
[info@napoleongrills.nl](mailto:info@napoleongrills.nl)

[www.napoleongrills.com](http://www.napoleongrills.com)

IT

# Napoleon President's 10 Year Limited Warranty



I prodotti NAPOLEON sono stati progettati con componenti e materiali di qualità e sono assemblati da artigiani addestrati che vanno molto orgogliosi nel loro lavoro. Questo prodotto è stato accuratamente controllato da un tecnico qualificato prima dell'imballaggio e della spedizione per garantire che tu, cliente, ricevi il prodotto con la qualità che ti aspetti da NAPOLEON.

NAPOLEON garantisce che i componenti del tuo nuovo barbecue NAPOLEON saranno esenti da difetti del materiale e costi di manodopera dalla data del tuo acquisto, per i periodi sotto indicati:

Fusioni di alluminio / base in acciaio inox.....	<b>10 anni</b>
Coperchio in acciaio inox.....	<b>10 anni</b>
Coperchio in smalto porcellanato .....	<b>10 anni</b>
Coperchio verniciato.....	<b>5 anni copertura completa, più 50% di sconto fino al 10° anno</b>
Brucciatori in acciaio inox.....	<b>5 anni copertura completa, più 50% di sconto fino al 10° anno</b>
Griglie di cottura in ghisa porcellanata .....	<b>5 anni copertura completa, più 50% di sconto fino al 10° anno</b>
Diffusori in acciaio inox on in ghisa porcellanata .....	<b>3 anni copertura completa, più 50% di sconto fino al 10° anno</b>
Tutte le altre parti .....	<b>2 anni</b>

## \*Condizioni e limitazioni

Questa Garanzia Limitata crea un periodo di garanzia come specificato nella tabella di cui sopra, per qualsiasi prodotto acquistato tramite un rivenditore NAPOLEON autorizzato, e dà diritto all'acquirente originale alla copertura specificata per qualsiasi componente sostituito nel periodo di garanzia, da parte di NAPOLEON o di un autorizzato NAPOLEON, per sostituire un componente di tale prodotto che si è rotto durante il normale utilizzo in uso privato a causa di un difetto di fabbricazione. Il "50% di sconto" indicato nella tabella indica che il componente è messo a disposizione dell'acquirente ad uno sconto del 50% sul prezzo normale al dettaglio del componente per il periodo indicato. Questa garanzia limitata non copre accessori o articoli bonus.

Per una maggiore chiarezza, il "normale uso privato" di un prodotto indica che il prodotto è stato installato da un tecnico autorizzato o un contraente autorizzato, in conformità alle istruzioni di installazione incluse nel prodotto e di tutti i regolamenti locali e nazionali in materia di costruzione e di allaccio dei fuochi; è stato adeguatamente mantenuto; non è stato utilizzato per usi pubblici o commerciali.

Allo stesso modo, "la rottura" non include: sovraccarico, fuoriuscita causata da condizioni ambientali quali forti venti o ventilazione inadeguata, graffi, urti, corrosione, deterioramento delle finiture dipinte e placcate, scolorimento causato da calore, detersivi abrasivi o chimici o esposizione a raggi UV, taglio di parti smaltate in porcellana o danni causati da abusi, incidenti, grandine, incendi dovuti ai grassi di scolo, mancanza di manutenzione, ambienti ostili come sale o cloro, alterazioni, abusi, negligenza o parti installate da altri produttori.

Nel caso in cui il deterioramento delle parti renda impossibile l'utilizzo (ruggine perforante o bruciature perforanti) entro il periodo di copertura della garanzia, verrà fornita una parte di ricambio. Il ricambio sostitutivo è la sola responsabilità di NAPOLEON definita da questa Garanzia Limitata; NAPOLEON non sarà in nessun caso responsabile dell'installazione, del lavoro o di qualsiasi altro costo o spese legati alla reinstallazione di una parte garantita, per eventuali danni accidentali, consequenziali o indiretti o per eventuali spese di trasporto, costi del lavoro o dazi all'esportazione.

Questa garanzia limitata è fornita in aggiunta a tutti i diritti concessi dalle leggi locali. Di conseguenza, questa Garanzia Limitata non impone alcun obbligo a NAPOLEON di conservare le parti in magazzino. Sulla base della disponibilità di parti, NAPOLEON può a sua discrezione scaricare tutti gli obblighi fornendo a un cliente un credito proporzionale verso un nuovo prodotto. Dopo il primo anno, in relazione a questa Garanzia Limitata, NAPOLEON può, a sua discrezione, rispettare pienamente tutti gli obblighi relativi a questa garanzia, restituendo all'acquirente originale il prezzo all'ingrosso di eventuali parti non garantite ma difettose.

Lo scontrino di vendita o una copia sarà richiesto insieme al numero di serie e il numero di modello quando si effettua una richiesta di garanzia da parte di NAPOLEON. NAPOLEON si riserva il diritto di ispezionare tramite un suo rivenditore qualsiasi prodotto o parte prima di rispettare qualsiasi richiesta di garanzia. È necessario contattare il Servizio Clienti NAPOLEON o un rivenditore NAPOLEON autorizzato per ottenere il beneficio della copertura della garanzia.



napoleongrills.com

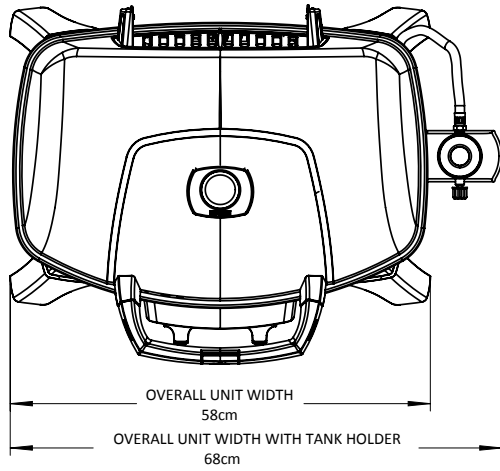


**ATTENZIONE!** Se le informazioni di queste istruzioni non sono seguite in modo esatto potrebbe verificarsi un' esplosione che causerà seri danni a cose e persone o morte.

## Procedure operative di sicurezza

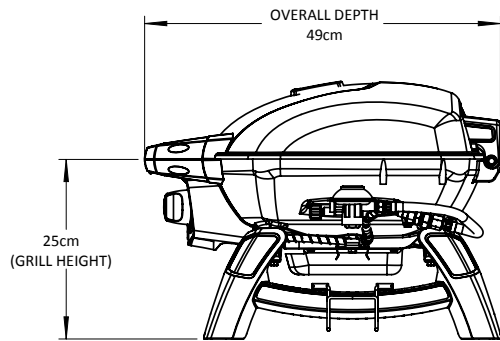
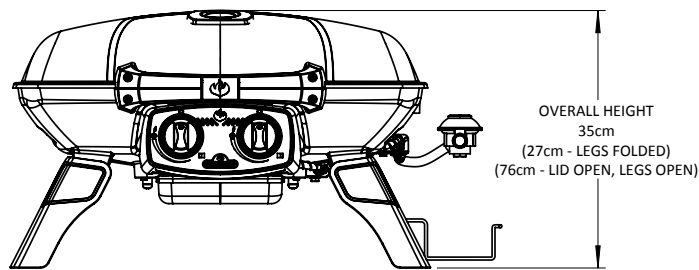
- Questa griglia a gas deve essere montata esattamente secondo le istruzioni riportate nel manuale. Se il grill è stato assemblato in negozio , è necessario rivedere le istruzioni di montaggio per confermare il corretto montaggio e prima di utilizzare la griglia effettuare le prove di tenuta richiesti.
- Leggere tutto il manuale di istruzioni prima di utilizzare la griglia a gas.
- Questa griglia a gas deve essere utilizzato esclusivamente all'aperto in uno spazio ben ventilato e non deve essere utilizzata all'interno di un edificio , garage , veranda , gazebo o qualsiasi altra area chiusa.
- Il grill è progettato solo per propano , butano o una miscela di propano / butano.
- Non collocare in ambienti ventosi. I venti forti influenzano negativamente le prestazioni di cottura del grill a gas.
- In nessun caso questo grill a gas deve essere modificato. Le parti sigillate dal costruttore o da tecnico autorizzato non devono essere manipolate dall'utente.
- Non utilizzare il grill in qualsiasi area dove si può trovare materiale combustibile.
- Mantenere una distanza adeguata dal combustibile. 457 millimetri sul retro dell'unità, 457 millimetri sui i lati. Distanza aggiuntiva si raccomanda vicino rivestimenti in vinile o lastre di vetro.
- Il tubo di alimentazione del gas deve essere installato in modo tale da non permettere il contatto con superfici calde della griglia durante l'uso oppure quando lo si ripone o in viaggio.
- La cartuccia del gas deve essere scollegata quando non si usa la griglia.
- Quando la cartuccia del gas è collegato all'apparecchio , il grill a gas e la cartuccia devono sempre stare all'aperto in uno spazio ben ventilato.
- Quando la griglia a gas viene riposta al coperto, il collegamento tra la cartuccia propano e la griglia deve essere scollegato, la cartuccia rimossa e conservata all'aperto in uno spazio ben ventilato, fuori dalla portata dei bambini. Le cartucce disconnesse non devono essere conservate in un edificio, garage o qualsiasi altra area chiusa.
- Controllare il tubo di alimentazione del gas prima di ogni utilizzo . Se vi è evidenza di eccessiva abrasione o usura o il tubo è tagliato, deve essere sostituito, prima di utilizzare il grill a gas, con un tubo flessibile con le specifiche richieste dal costruttore della griglia.
- Non conservare la cartuccia di ricambio sotto o vicino al grill.
- Non fate passare il tubo di alimentazione sotto la leccarda. La distanza tra il tubo e il fondo del grill deve essere mantenuta.
- Testate la presenza di perdite prima dell'uso iniziale, annualmente e ogni volta che vengono sostituiti tutti i componenti a contatto del gas.
- Seguire attentamente le istruzioni di accensione quando si utilizza il grill.
- Non accendete i bruciatori con il coperchio chiuso.
- Adulti e bambini soprattutto devono essere avvertiti dei pericoli legati alle temperature superficiali elevate. I bambini devono essere sorvegliati quando sono vicini al grill a gas.
- Non lasciate griglia incustodita durante il funzionamento.
- Non spostate la griglia quando è calda o in funzione.
- Tenere qualsiasi cavo elettrico e tubo del gas di alimentazione lontano da superfici riscaldate.
- Assicurarsi che il diffusore (se in dotazione) sia posizionato correttamente.
- Pulire regolarmente il vassoio raccogli grasso e le piastre (se in dotazione) per evitare l'accumulo , che può portare il grasso a incendiarsi.
- Non utilizzare acqua, birra o altri liquidi per controllare le fiammate.
- Non utilizzare una idropulitrice per pulire qualsiasi parte della griglia .
- Questa griglia a gas non è destinata all'uso commerciale.
- Questa griglia a gas non è e non deve mai essere usata come riscaldatore.

# DIMENSIONI



### TQ285 GRILL

GRILL SIZE: 37 cm X 54 cm (IRREGULAR) = 1840 cm<sup>2</sup>  
ALL DIMENSIONS ARE APPROXIMATE



## Maneggiare con cura



**ATTENZIONE!** Fare attenzione quando si maneggia o trasporta il grill per evitare danni e disallineamento dei componenti interni. Anche se questa griglia è stata progettata con la mobilità in mente, manomissione o abuso si tradurrà in danni ai componenti interni, impedendo la vostra griglia di funzionare correttamente.

### Corretto smaltimento del prodotto

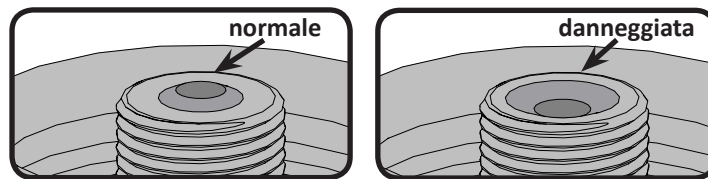


Questo simbolo indica che il prodotto non deve essere smaltito come un qualsiasi rifiuto domestico, in nessun paese dell'Unione Europea. Per evitare possibili danni all'ambiente o alla salute umana causati da uno smaltimento non controllato, si prega di riciclare il prodotto in modo da incoraggiare il riutilizzo sostenibile di risorse materiali. Per restituire l'apparecchio usato, utilizzare i sistemi di restituzione e raccolta oppure contattare la rivendita dove il prodotto è stato originariamente acquistato. Il rivenditore si occuperà di smaltire il prodotto in maniera sicura per l'ambiente.

## Cartuccia a gas.

Utilizzare solo cartucce con i requisiti nazionali e regionali richiesti. Per ottenere una prestazione ottimale il prodotto deve utilizzare gas propano. Le cartucce monouso devono essere conformi allo standard EN417 ed essere dotate di una valvola autosigillante Lindal. Le cartucce devono avere una capacità a pieno di circa 430gr e 460gr. Le cartucce devono essere riempite sia con propano o con una miscela di propano/butano.

- Controllare l'o-ring sul regolatore. Se vi è un danno sostituire il regolatore.
- Non collegare mai una cartuccia, che non soddisfa le normative locali.
- Le cartucce monouso devono sempre essere fissate al lato della griglia in posizione verticale con la staffa di fissaggio in dotazione.
- Non conservare mai una cartuccia di ricambio in prossimità di un apparecchio in funzionamento. Le cartucce non devono essere esposte a calore estremo o alla luce del sole diretta.
- Non stringere eccessivamente la cartuccia, in quanto un eccessivo serraggio può causare danni al collegamento del regolatore o il collegamento della cartuccia. Ciò può causare una perdita o limitare il flusso verso il grill.

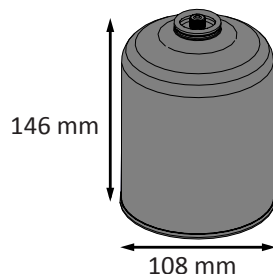


**ATTENZIONE!** Il tappo di protezione deve essere in posizione quando la cartuccia non è in uso, per evitare che sporco e detriti entrino nella valvola.

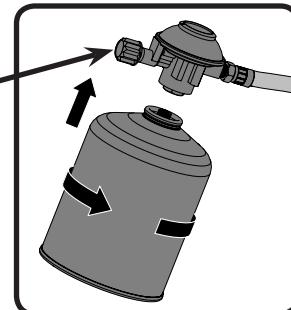
**ATTENZIONE!** Leggete le istruzioni sulla cartuccia prima di utilizzarla. Una cartuccia ammaccata o arrugginita può essere pericolosa. Eliminare la cartuccia se particelle di ruggine o detriti sono nella zona di collegamento della cartuccia.

**Cartuccia di collegamento:** Accertarsi che il tubo regolatore del gas non sia attorcigliato. La cartuccia ha una connessione che non permetterà il flusso di gas fino a che non sia completamente a tenuta. Togliere il tappo o la spina dalla cartuccia. Per installare la cartuccia semplicemente avvitare il regolatore in senso orario. Serrare solo a mano, non usare mai utensili.

Provare la tenuta di tutte le giunzioni prima di utilizzare il barbecue. Una prova di tenuta deve essere eseguita annualmente, ogni volta che una cartuccia è collegata oppure parte del sistema del gas viene sostituito. Cartucce monouso devono essere fissate al lato della griglia, in posizione verticale, utilizzando la staffa di fissaggio in dotazione. Ciò impedirà al liquido propano/butano di entrare nel regolatore, che può causare un fuoco e danneggiare il regolatore.



\* valvola di regolazione



\* Per un corretto funzionamento, assicurarsi che la manopola del regolatore sia stretta a mano (senso orario).



### ATTENZIONE!

- Non fare passare il tubo di alimentazione sotto la leccarda.
- Assicurarsi che tutti i collegamenti siano serrati utilizzando due chiavi. Non usare nastro di teflon o sigillanti su qualsiasi collegamento del tubo.
- Assicurarsi che il tubo non sia in contatto con superfici ad alta temperatura, può fondere e perdere gas causando un incendio.

## Tubo del gas

- Se il tubo del gas e il regolatore non sono forniti dal costruttore, utilizzare solo tubi e regolatori che abbiano i requisiti nazionali richiesti.
- Assicurarsi che il tubo non venga a contatto con grasso, altri materiali caldi gocciolanti o superfici calde dell'apparecchio.
- Controllare il tubo regolarmente. Nel caso di strappi, fusione o usura, sostituire il tubo prima di utilizzare l'apparecchio.
- Il tubo non deve essere più lungo di 1,5 mt.
- Assicurarsi che il tubo non sia attorcigliato o intrecciato una volta installato.
- Sostituire il tubo prima della data di scadenza stampata sul tubo.

## Dati tecnici

La seguente tabella elenca i dati dell'apparecchio

Bruciatore	Dimensione Orifizio		Calore totale		Consumo gas (totale)	
	I	II	I	II	I	II
	#69 (0.74 mm)	#73 (0.61 mm)	4.1kW	4.1kW	301 g/hr	301 g/hr

Gas certificati/Pressioni - Controllare la targhetta per garantire che corrispondano all'elenco seguente.

Categoria gas	'3B/P(30)	'3+(28-30/37)	'3B/P(50)
Dimensioni foro (v.sopra)	I	I	II
Gas / Pressioni	Butano e Propano a 30mbar	Butano 28-30mbar Propano 37mbar	Butano e Propano a 50mbar
Paesi	BE, BG, CY, DK, EE, FI, FR, GB, HR, HU, IS, IT, LT, LU, MT, NL, NO, RO, SE, SI, SK, TR	BE, CH, CY, CZ, ES, FR, GB, GR, IE, IT, LT, LU, LV, PT, SK, SI	AT, CH, DE, SK

Non manomettere o modificare il regolatore. Utilizzare esclusivamente regolatori che forniscono la pressione elencata nella tabella di cui sopra. Per la sostituzione, utilizzare solo il regolatore specificato dal produttore.

## Uso su tavolo.

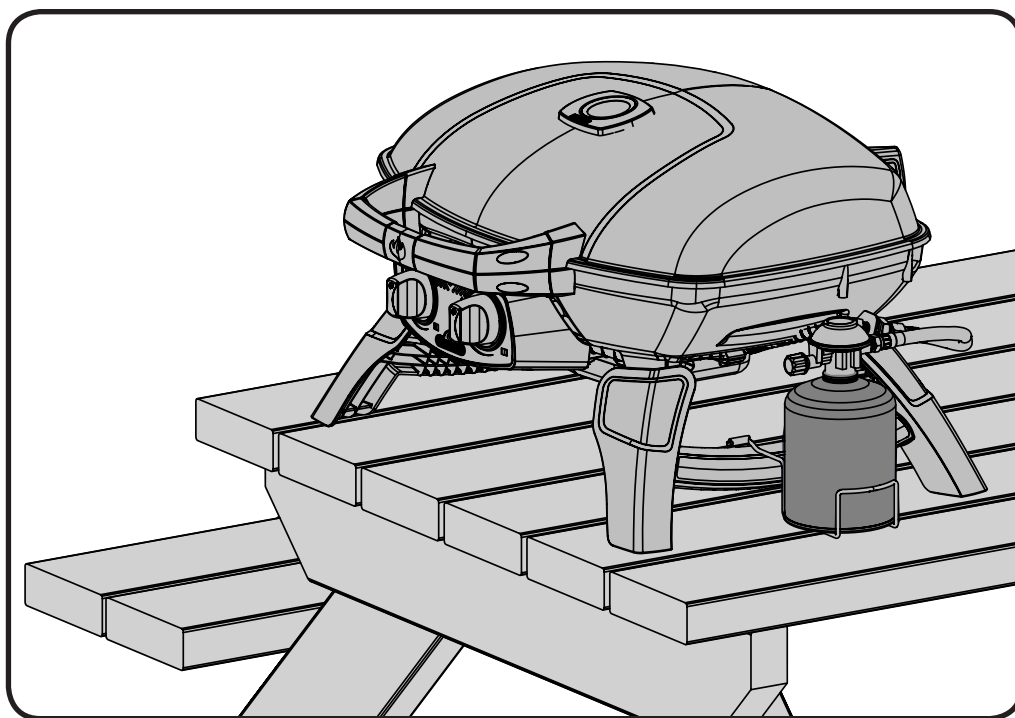
Il TQ285 è stato concepito con l'idea della mobilità. Con le gambe ripieghevoli, il TQ285 può essere installato sulla maggior parte dei tavoli. Le gambe si aprono e si bloccano, chiuderle in posizione di blocco durante il viaggio.



**ATTENZIONE!** Le gambe che si trovano su ogni lato del vostro grill devono essere aperte durante l'utilizzo.



**ATTENZIONE!** Non utilizzate il grill su tavoli di plastica, resina o vetro.



## Istruzioni Per Verifica Fughe Di Gas



**ATTENZIONE!** Ciò deve essere fatto prima dell'utilizzo iniziale, annualmente e ogni volta che i componenti sono stati utilizzati.



**ATTENZIONE!** Non usare una fiamma per testare eventuali fughe di gas. Non fumare mentre eseguite il test e togliete ogni fonte di calore.



**Verifica Fughe Di Gas:** Ciò deve essere fatto prima dell'utilizzo iniziale, annualmente e ogni volta che i componenti sono stati utilizzati. Non fumare mentre eseguite il test e togliete ogni fonte di calore. Controllare il diagramma per aree di test :



Connettete la bombola da 500g al regolatore della griglia, o se usate tubi alternativi, connetterli alla valvola della bombola e al regolatore della griglia. Assicuratevi che il regolatore sia in posizione CHIUSO/ OFF e girate la valvola su ON.

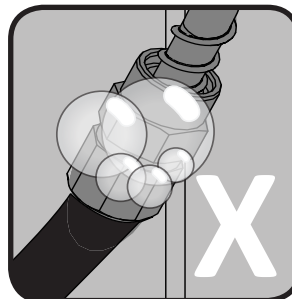
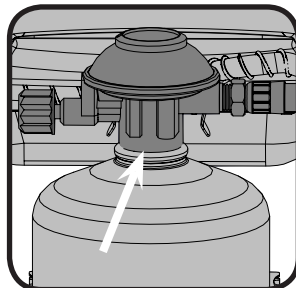
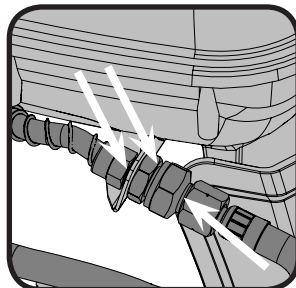
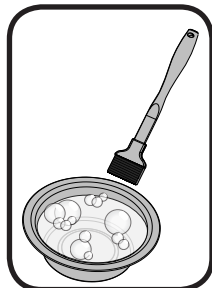
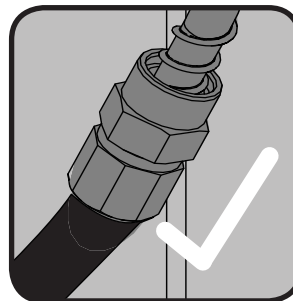
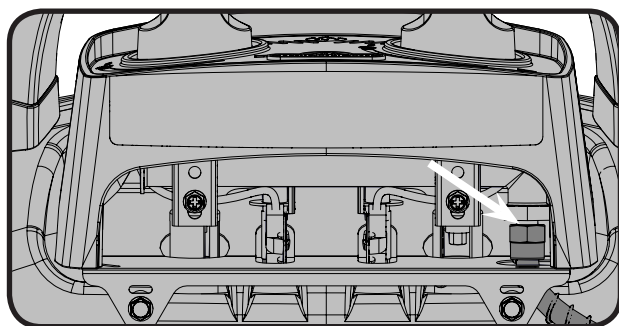


Spazzolate le giunture con una soluzione mezza acqua e mezza sapone. Quando utilizzate tubi alternativi spazzolate con la soluzione mezza acqua e mezza sapone su ogni estremità del tubo.

Eventuali bolle indicano una perdita di gas. Stringete il giunto allentato o sostituitelo con un pezzo nuovo raccomandato dal vostro rivenditore.

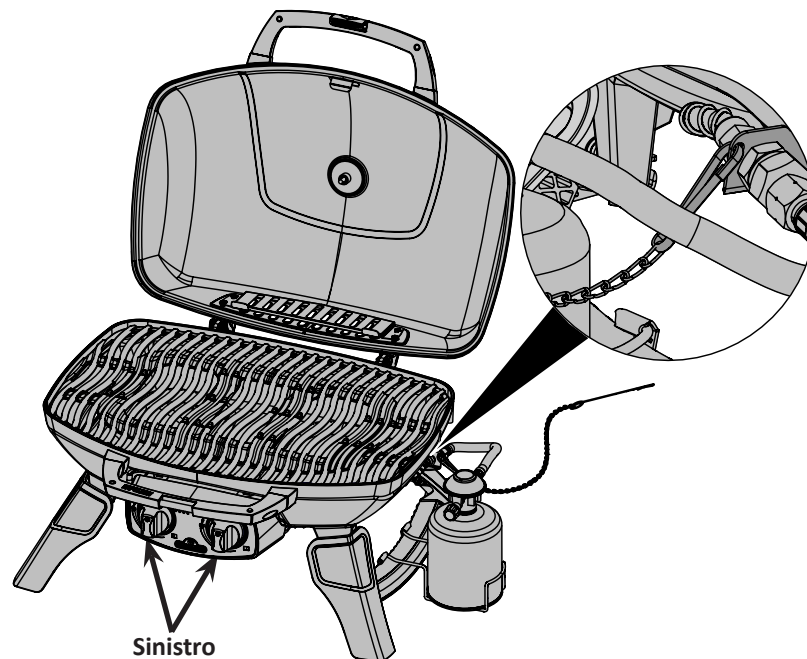
Se la perdita non può essere riparata, scollegate la bombola da 500g oppure chiudete la valvola della bombola da 9kg, e fate ispezionare il vs. barbecue dal vostro fornitore di gas. Non utilizzare l'impianto prima che la fuga sia stata riparata.

Chiudere il gas.





# Istruzioni Per Accensione



**ATTENZIONE!** Aprire il coperchio.

**ATTENZIONE!** Assicurarsi che tutti i controlli dei bruciatori siano in posizione off. Collegare una bombola usa e getta.

## Accensione Bruciatore principale

1. Aprire il coperchio

2. Premere e ruotare lentamente una manopola di controllo del bruciatore principale lentamente alla posizione 'hi'. Questa operazione accende il bruciatore selezionato.

3. Se il bruciatore non si accende, rigirate immediatamente la manopola di controllo nella posizione "off" e ripetete il passo 2 diverse volte.

4. Se il bruciatore non si accende entro 5 secondi, girate la manopola di controllo nella posizione "off" e aspettate 5 minuti affinché il gas in eccesso possa dissiparsi dopodichè ripetete i passi 2 e 3 oppure accendete con un fiammifero.

5. Se accendete il grill con un fiammifero, fissatelo sul supporto fornito. Tenete il fiammifero acceso verso il basso attraverso la griglia mentre si ruota la valvola del bruciatore nella posizione "hi".



IT

## Istruzioni Per La Cottura



**ATTENZIONE!** Non utilizzare questa griglia sotto i tendoni. La mancata osservanza di queste istruzioni può causare incendi o lesioni personali.



**PERICOLO!** Non mettete via la griglia subito dopo l'uso. Lasciate raffreddare il grill al tatto prima di spostarlo o immagazzinarlo. In caso contrario si potrebbe causare un incendio causando danni materiali, lesioni personali o la morte.

Quando accesa per la prima volta, la griglia a Gas emette un leggero odore. Si tratta di una condizione temporanea normale causata dalle "bruciature" delle parti interne, vernici e lubrificanti usati nel processo di fabbricazione e non succederà più. Semplicemente mantenete i bruciatori in posizione HIGH per circa mezz'ora.

**Utilizzo del bruciatore principale:** Quando grigliate, si consiglia di preriscaldare il grill azionando tutti i bruciatori principali in posizione alta con il coperchio chiuso per circa 10 minuti. Il cibo cucinato per brevi periodi di tempo (pesce, verdure) può essere grigliato con il coperchio aperto. Cucinare con il coperchio chiuso assicurerà alte temperature in grado di ridurre il tempo di cottura e cuocere la carne in modo più uniforme. I cibi che hanno un tempo di cottura più lungo di 30 minuti, come gli arrostiti, possono essere cucinati indirettamente (con il bruciatore acceso opposto alla collocazione cibo). Durante la cottura di carni molto magre, come petti di pollo o carne magra di maiale, le griglie possono essere oliate prima del pre-riscaldamento per ridurre l'attaccamento. Cucinare la carne con un alto grado di contenuto di grassi può creare fiammate. O eliminate il grasso o riducete la temperatura per ridurre questo problema. Se si verifica una fiammata, spostare il cibo lontano dalle fiamme e ridurre il calore. Lasciare il coperchio aperto. Leggete il ricettario Napoleon per istruzioni più dettagliate.

## Istruzioni Per La Pulizia



**ATTENZIONE!** Si raccomanda di indossare guanti da lavoro e occhiali di protezione during la manutenzione.



**ATTENZIONE!** Assicuratevi che i bruciatori siano spenti prima di pulirli. Evitate di toccare tutte le superfici calde. Pulite la vostra griglia in posti dove il detersivi non possano rovinare il vostro pavimento, terrazzo o altro. Non utilizzate i prodotti per la pulizia del forno, per pulire la vostra griglia. La salsa BBQ e il sale sono molto corrosivi e causano il deterioramento rapido della vostra griglia a meno che voi non facciate una pulizia regolare.



**Nota:** l'acciaio inossidabile può arrugginire o macchiarsi quando in presenza di cloruri e di solfuri, particolarmente nelle zone costiere e in altri ambienti difficili, come ad esempio in prossimità dell'atmosfera calda e ad alta umidità creata dalle piscine e dalle vasche da idromassaggio. Queste macchie possono sembrare ruggine, ma è facile rimuoverle e prevenirne l'occorrenza. Per evitare la formazione di macchie, lavare tutte le superfici in acciaio con acqua fresca e un detersivo specifico ogni 3-4 settimane, o quando necessario.

**Griglie di cottura in ghisa:** Le griglie di cottura in ghisa in dotazione garantiscono una maggiore resa calorifica nonché una migliore distribuzione del calore. Ungendo regolarmente le griglie aiuterete il rivestimento protettivo a resistere alla corrosione e aumenterete la capacità antiaderente della griglia.

**Primo utilizzo:** Lavare le griglie di cottura a mano con sapone delicato e acqua per rimuovere ogni residuo dal processo di produzione (non lavare in lavastoviglie). Sciacquare accuratamente con acqua calda e asciugare completamente con un panno morbido. Questo è importante per evitare la penetrazione di umidità della ghisa.

**Preparazione:** con un panno morbido, passate dell' OLIO VEGETALE su tutta la superficie della griglia in modo che tutte le scanalature e gli angoli siano unti. Non utilizzare grassi come il burro o margarina. Preriscaldare il grill per 15 minuti, quindi posizionate le griglie di cottura oliate sulla griglia. Ruotare le manopole di regolazione del bruciatore nella posizione media con il coperchio chiuso. Lasciare le griglie di cottura a riscaldare per circa mezz'ora. Girare tutti i bruciatori in posizione "OFF" e spegnete il gas alla fonte. Lasciate che le griglie di cottura si raffreddino. Questa procedura deve essere ripetuta più volte per tutta la stagione, anche se non è necessario per l'uso quotidiano (seguire la procedura di uso quotidiano di seguito).

**Uso quotidiano:** Prima pre-riscaldare, e pulire con una spazzola con il filo di ottone, ungere l'intera superficie delle griglie di cottura con OLIO VEGETALE. Preriscaldare il grill e poi spazzolare via ogni residuo indesiderato con una spazzola metallica di ottone.

**Pulizia interna del grill:** Rimuovere le griglie di cottura. Utilizzare una spazzola metallica di ottone per pulire i detriti sciolti sulle fusioni laterali e sotto il coperchio. Spazzolare tutti i detriti dall'interno della grill nella leccarda estraibile.

**Leccarda:** Il grasso residuo è un pericolo di incendio. Pulite la leccarda regolarmente per evitare l'accumulo di grasso. Grasso e sgocciolature in eccesso passano attraverso le griglie e si depositano sulla leccarda, che si trova sotto il grill a gas. Per pulire, far scorrere la leccarda e tirarla fuori dal grill. Non rivestire mai la leccarda con un foglio di alluminio, sabbia o altro materiale in quanto ciò potrebbe impedire il grasso di fluire correttamente. La leccarda deve essere raschiata con una spatola o un raschietto.



**ATTENZIONE!** Assicuratevi che la leccarda sia vuota e pulita prima di trasportare il grill in posizione verticale.

**Pulizia Esterna Della Griglia:** non utilizzare prodotti abrasivi per pulire le parti verniciate o in acciaio inossidabile. Utilizzate una soluzione di sapone e acqua calda per pulire l'esterno della griglia mentre è ancora tiepida. Per pulire le superfici in acciaio inossidabile utilizzate un prodotto di pulizia per acciaio inossidabile o un prodotto di pulizia multi uso senza abrasivi. Non usate lana di acciaio per non graffiare la superficie. I pezzi in acciaio inossidabile si scoloriranno per effetto del calore e prenderanno un colore bruno o dorato. La decolorazione non diminuirà le potenzialità della griglia.

## Istruzioni Per La Manutenzione

Si consiglia di far ispezionare e controllare il grill a gas ogni anno da personale qualificato.

Lasciare sempre l'area del grill sgombro da materiali combustibili, benzina e altri vapori e liquidi infiammabili. Non ostruire il flusso di aria per la ventilazione e la combustione.



**ATTENZIONE!** Si raccomanda di indossare guanti da lavoro e occhiali di protezione during la pulizia.



**ATTENZIONE!** Chiudete il gas e disconnettete l'unità prima dell'uso. La manutenzione dovrebbe essere fatta solo quando la griglia è fredda per evitare possibili scottature. Un test di perdite di gas deve essere fatto annualmente e ogni volta che un componente viene riparato o sostituito.



**Brucciato:** Il bruciatore è realizzato in acciaio inox 304, ma il calore estremo e un ambiente corrosivo può causare la corrosione della superficie. Questo può essere rimosso con una spazzola metallica di ottone.

**ATTENZIONE!** Attenzione ai ragni.

Ragni e insetti sono attratti dall'odore di propano e gas naturale. Il bruciatore è dotato di una griglia di protezione insetti sulla presa d'aria, che riduce la probabilità di nidi di insetti all'interno del bruciatore ma non elimina del tutto il problema. Un nido può far sì che il bruciatore bruci con una fiamma gialla o arancio o provocare incendi (flashback) alla presa dell'aria sotto il pannello di controllo. Per pulirlo all'interno il bruciatore, deve essere rimosso dalla griglia a gas: Rimuovere la vite (i) che fissano la staffa e il bruciatore alla base. Per rimuoverlo far scorrere il bruciatore all'indietro verso l'alto. Pulizia: Utilizzare un tubo Venturi flessibile per pulire l'interno del bruciatore. Far uscire eventuali detriti dal bruciatore dalla parte dell'ingresso del gas. Controllare che nei fori del bruciatore e orifizi delle valvole non ci siano blocchi. L'ingresso del gas del bruciatore si può chiudere nel tempo a causa dei detriti e della corrosione durante la cottura; utilizzare una graffetta aperta per pulirli. Gli ingressi sono più facili da pulire se il bruciatore viene rimosso dalla griglia, ma può anche essere fatto con il bruciatore installato.

**ATTENZIONE!** Fatte attenzione a non allargare i fori.

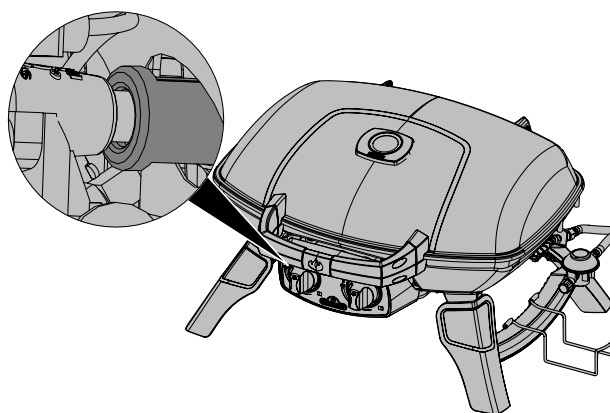
Assicurarsi che la griglia per insetti sia pulita, stretta, e priva di ogni traccia di fili o altri detriti.

**Reinstallazione:** Invertire la procedura per reinstallare il bruciatore. Controllare che la valvola entri nel bruciatore durante l'installazione. Sostituire la staffa a croce e serrare le viti per completare la reinstallazione.





**AVVERTENZA!** Dopo la pulizia dei fornelli è estremamente importante verificare che la valvola/il foro siano dentro al tubo del fornello prima di accendere il grill. Se la valvola non si trova all'interno del tubo potrebbe verificarsi un incendio o un'esplosione.



**ATTENZIONE!** Tubo: Controllate le eventuali abrasioni, colature, tagli e crepe. Se una di queste condizioni si verifica non usate la griglia. Sostituite il pezzo dal vostro rivenditore o installatore del gas.

## Risoluzione dei problemi

Problema	Possibile causa	Soluzione
Calore basso / Fiamma bassa quando il regolatore è nella posizione "high".	Blocco del gas.  Pre-riscaldamento improprio.  Bombola del gas si sta congelando.	Verificare la presenza di ragnatele nel bruciatore o dell'orifizio.  Pre-riscaldare il grill con I bruciatori principali al massimo per 5/10 minuti.  Quando cuocete per lunghi periodi di tempo, o quando la bombola si sta svuotando, o quando la temperatura esterna è bassa la bombola non ha abbastanza superficie bagnata per permettere al propano liquido di vaporizzare. Utilizzate una bombola nuova.
Fiammate eccessive/ calore irregolare	Pre-riscaldamento improprio	Pre-riscaldare il grill con entrambi I bruciatori al massimo per 5/10 minuti  Pulite la leccarda regolarmente. Non copritela con carta di alluminio. Leggete le istruzioni per la pulizia.
Bruciatori con fiamma gialla accompagnata da odore di gas	Possibile nido di ragno o altri detriti, oppure regolazione sbagliata della presa d'aria.	Pulire accuratamente il bruciatore rimuovendolo. Vedere le istruzioni di manutenzione generale. Aprire leggermente la presa dell'aria in base alle istruzioni di regolazione dell'aria di combustione. (Questo deve essere fatto da un installatore qualificato.)
Fiammate alte accompagnate da odore di gas ed eventualmente anche difficoltà di accensione	Impropria regolazione della presa d'aria.	Chiudere leggermente presa d'aria in base alle istruzioni di regolazione dell'aria di combustione. (Questo deve essere fatto da un installatore qualificato.)
Il bruciatore non si accende con l'iniettore, ma si accende con un fiammifero.	L'accensione Jet-fire è sporca o intasata	Pulite l'iniettore jet-fire con una spazzola a setole morbide.
La vernice sembra spelarsi all'interno del coperchio e sulla cappa	Del grasso si è accumulato sulle superfici interne	Questo non è un difetto. Il coperchio e la cappa sono di acciaio inox e non si spelano. Lo spelarsi è causato dal grasso indurito che si asciuga e sembra frammenti di vernice che si sfaldano. Una pulizia regolare previene questo problema. Vedere le istruzioni pulizia.
La fiamma del bruciatore in posizione "high" è troppo bassa. (Rumore e fiamma blu irregolare sul bruciatore)	Mancanza di gas  Il tubo di alimentazione in dotazione è schiacciato  Orifizio sporco o intasato  Nidi di ragno o altre cose nel tubo venturi	Controllare il livello del gas nella bombola  Verificare il tubo di alimentazione  Pulire l'orifizio del bruciatore  Ripulire il tubo venturi.

**PER CONVALIDARE LA GARANZIA È NECESSARIO CONSERVARE LA RICEVUTA COME PROVA D'ACQUISTO**

## **Come Ordinare Parti Di Ricambio**

### **Informazioni Sulla Garanzia**

MODELLO: \_\_\_\_\_

DATA DI ACQUISTO: \_\_\_\_\_

NUMERO DI SERIE: \_\_\_\_\_

### ***(Per comodità, annotare qui le informazioni)***

Prima di contattare il soluzioni per i clienti, visitare il sito di Napoleon per maggiori informazioni sulla pulizia, la manutenzione, la risoluzione dei problemi e le istruzioni su come richiedere parti di ricambio: [www.napoleongrills.it](http://www.napoleongrills.it). Per pezzi di ricambio e richieste di garanzia contattate direttamente il vostro rivenditore locale (fate riferimento alla lista dei rivenditori che trovate insieme al vostro barbecue).

Affinché Napoleon possa onorare la vostra richiesta, dovrete fornirci le seguenti informazioni:

1. Modello e numero di serie dell'unità.
2. Numero della parte e descrizione.
3. Una breve descrizione del problema ('rotto' non è sufficiente).
4. Prova di acquisto (fotocopia della fattura).

In alcuni casi il tecnico potrebbe richiedere l'invio delle parti alla fabbrica, prima di provvedere alla sostituzione. L'invio, prepagato, deve avvenire all'attenzione del centro di assistenza con le seguenti informazioni:

1. Modello e numero di serie dell'unità.
2. Una breve descrizione del problema ('rotto' non è sufficiente).
3. Prova di acquisto (fotocopia della fattura).
4. Numero di autorizzazione alla restituzione – fornito dal soluzioni per i clienti

Prima di contattare il centro di soluzioni è bene ricordare che i seguenti articoli non sono coperti dalla garanzia:

- costi di trasporto, intermediazione o dazi di esportazione
- costo della manodopera per disinstallazione e reinstallazione
- costo delle chiamate di servizio per l'individuazione dei problemi
- discolorazione delle parti in acciaio inossidabile
- mancato funzionamento della parte dovuto a mancanza di pulizia o manutenzione, o uso di detersivi inadatti (detersivi per forno)



**CAUTION!** During unpacking and assembly we recommended you wear work gloves and safety glasses for your protection. Although we make every effort to make the assembly process as problem free and safe as possible, it is characteristic of fabricated steel parts that the edges and corners might be sharp and could cause cuts if handled incorrectly.

**ATTENTION!** Lors du déballage et de l'assemblage, nous vous conseillons de porter des gants de travail et des lunettes de sécurité pour votre protection. Malgré tous nos efforts pour assurer que l'assemblage soit aussi sécuritaire et sans problème que possible, il se peut que les bords et les coins des pièces usinées en acier soient coupants et qu'ils causent des coupures si les pièces ne sont pas manipulées correctement.

**WAARSCHUWING!** Het is aanbevolen om tijdens het uitpakken en monteren voor uw veiligheid werkhandschoenen aan te trekken en een veiligheidsbril op te zetten. Hoewel we er alles aan doen om het montage proces zo goed en zo veilig mogelijk te maken, is het kenmerkend voor bewerkte stalen onderdelen dat de uiteinden en hoeken scherp kunnen zijn en verwondingen kunnen veroorzaken als ze tijdens de montage niet op de juiste manier worden behandeld.

**ACHTUNG!** Wir empfehlen beim Entpacken des Geräts und bei der Montage Arbeitshandschuhe und eine Schutzbrille zu tragen. Wir unternehmen alle Anstrengungen, den Montageprozess so problemlos und sicher wie möglich zu machen, doch bearbeitete Stahlteile haben üblicherweise scharfe Kanten und Ecken, die zu Schnittverletzungen führen können, wenn sie während der Montage unsachgemäß gehandhabt werden.

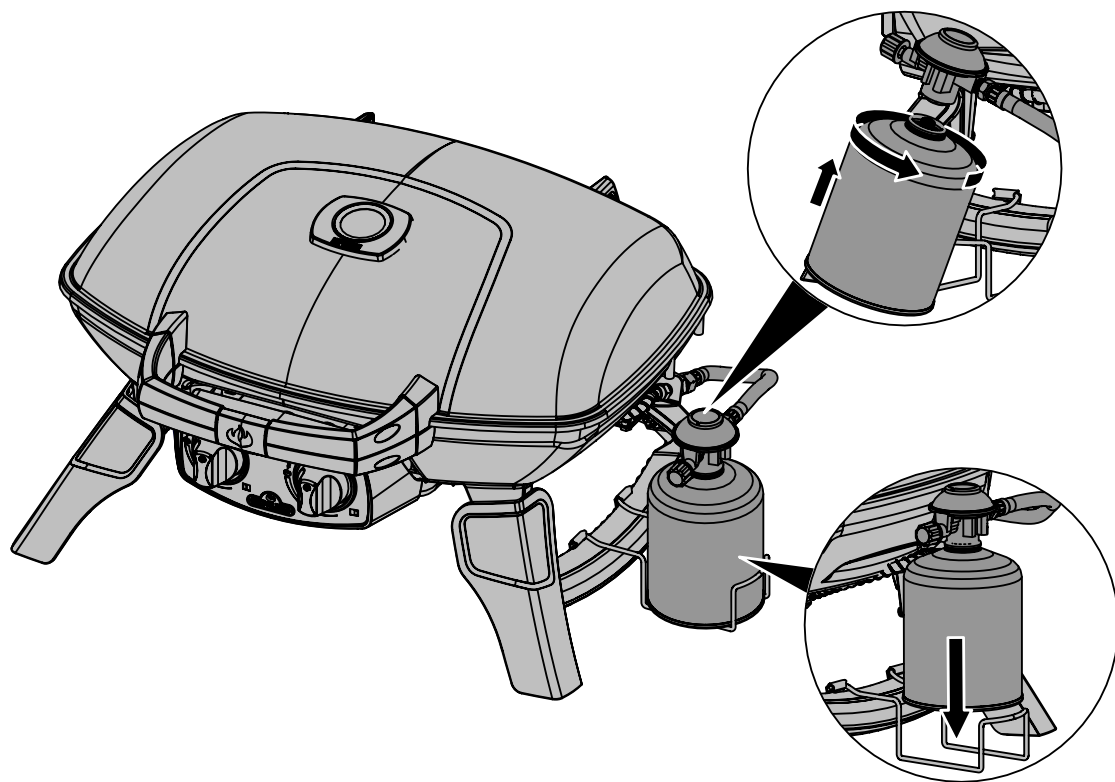
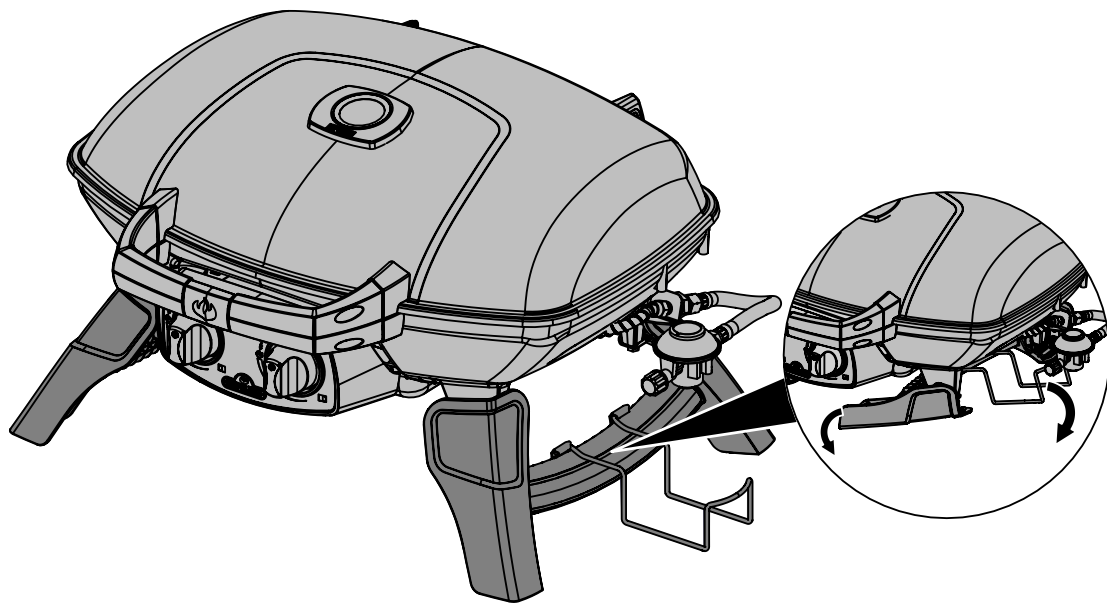
**FORSIKTIG!** Ved utpakking og montering anbefaler vi at det benyttes arbeidshansker og vernebriller som beskyttelse. Selv om vi bestreber oss for å gjøre monteringen så problemfri og sikker som mulig, er delene av stål og kan ha skarpe kanter og hjørner som kan forårsake kutt hvis de ikke håndteres korrekt.

**FORSIGTIG!** Når grillen pakkes ud bør man sikre sig mod skader – brug evt. handsker og anden beskyttelse. Selvom vi har tilstræbt at gøre montering af grillen så sikkert og let som muligt, bør man være opmærksom på at dele kan være skarpe på kanter og hjørner, og bør behandles med forsigtighed.

**HUOMIO!** Suositamme suojalasien käyttöä grillin kokoamisessa. Grillin kokoaminen on yritetty tehdä mahdollisimman turvallisiksi ja helpoksi mutta teräsosien teollisessa valmistuksessa jää varsinkin reunat ja kulmat voivat jäädä teräviksi ja aiheuttaa haavoja jos niitä ei käsitellä varoen.

**VAR FÖRSIKTIG!** Under uppäckning och montering rekommenderar vi att du använder arbetshandskar och säkerhetsglasögon som skydd. Även om vi anstränger oss för att göra monteringen så problemfri och säker som möjligt, kännetecknas den av färdiga ståldelar som kan ha skarpa kanter och hörn som kan orsaka skärskador om de inte hanteras på rätt sätt.

**ATTENZIONE!** Durante il disimballaggio e l'assemblaggio, si raccomanda di indossare guanti da lavoro e occhiali di protezione. Nonostante siano state prese tutte le misure necessarie per rendere il processo di assemblaggio il più semplice e sicuro possibile, le parti fabbricate in acciaio hanno tipicamente bordi e angoli affilati che potrebbero causare tagli se maneggiate in modo errato durante il montaggio.





## Parts List

Item	Part #	Description	
1	N135-0045-BK1HT	base	x
2	N080-0304	bracket drip pan support	x
3	N570-0104	screw 10-24 x 3/8"	x
4	N475-0319	control panel	x
5	N010-0773	manifold assembly 30 mbar	x
	N010-0825	manifold assembly 50 mbar	x
6	N570-0078	screw M4 x 8mm	x
7	N585-0089-BK1HT	heat shield control panel	x
8	N570-0076	screw 8 x 1/2"	x
9	N380-0020-RD	control knob	x
10	N570-0073	screw 1/4-20 x 3/8"	x
11	N710-0079	drip pan	x
12	Z570-0033	screw 10-24 x 12mm	x
13	N100-0047	burner right	x
14	N100-0046	burner left	x
15	N325-0082	handle top/bottom	x
16	N655-0158	support handle left	x
17	N655-0159	support handle right	x
18	N570-0107	screw 10-24 x 30mm	x
19	N305-0087-BK2FL	cooking grid left	x
20	N305-0088-BK2FL	cooking grid right	x
21	N485-0020	clevis pin	x
22	N080-0302	cross light bracket	x
23	N485-0021	cotter pin	x
24	N075-0090	leg	x
25	N630-0005	spring clip	x
26	N080-0303	bracket leg	x
27	N735-0017	washer teflon 12mm x 6mm x 1mm	x
28	N720-0060	flex connector manifold	x
29	N655-0156	support lid handle left	x
30	N530-0040	regulator 30 mbar	x
	N530-0041	regulator 50 mbar	x
31	N655-0157	support lid handle right	x
32	N390-0003	latch handle	x
33	N051-0009	bezel temperature gauge	x
34	N685-0015	temperature gauge	x
35	N330-0020	hinge left	x
36	N330-0021	hinge right	x
37	N010-0776-BL4HM	lid blue	x
	N010-0776-RD4HM	lid red	x
38	N215-0013	wind shield	x
39	N080-0345-BK1HT	bracket regulator mount	x
40	N160-0025	clip flex connector	x
41	N555-0058	lighting rod	x
42	N255-0057	fitting 3/8" to 1/4"	x
43	N255-0014	fitting	x
44	N080-0344	bracket tank retainer	x
45	N160-0028	tank clip	x
46	W450-0027	nut 1/2"	x
47	N010-0776-BL4HM-SER	assembly lid blue	x
	N010-0776-RD4HM-SER	assembly lid red	x

**Parts List**

Item	Part #	Description	
48	N475-0319-SER	assembly control panel	x
49	N330-0020-SER	assembly hinge left	x
50	N325-0082T-SER	assembly handle top	x
51	N330-0021-SER	assembly hinge right	x
52	N325-0082B-SER	assembly handle bottom	x
53	N160-0028-SER	assembly tank clip	x
54	N075-0090-SER	assembly leg	x
	68285	vinyl cover	ac
	56080	griddle	ac
	66005	lage tank adapter hose DE	ac
	66006	lage tank adapter hose SE	ac
	66007	lage tank adapter hose NL	ac
	66008	lage tank adapter hose GB	ac
	66009	lage tank adapter hose IT	ac

x - standard

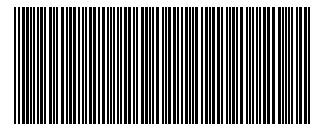
ac - accessory





Napoleon products are protected by one or more U.S. and Canadian and/or foreign patents or patents pending.

Les produits de Napoléon sont protégés par notre brevet d'invention dans les pays États Unis, Canada et international.



N415-0289CE-W