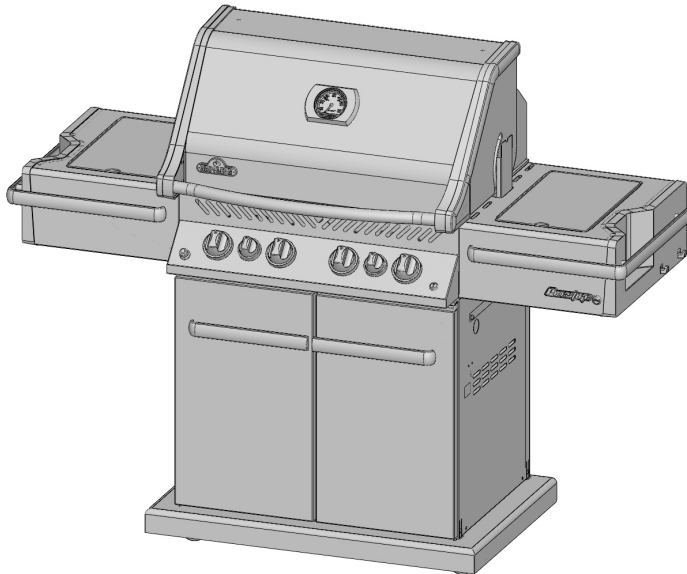
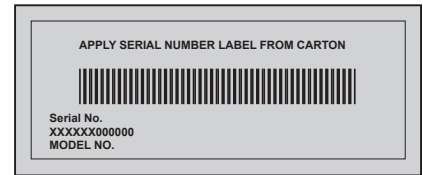


This gas grill must be used only outdoors in a well-ventilated space and must not be used inside a building, garage, screened-in porch, gazebo or any other enclosed area.



PRO 500



DANGER

IF YOU SMELL GAS:

- Shut off gas to the appliance.
- Extinguish any open flame.
- Open lid.
- If odor continues, keep away from the appliance and immediately call your gas supplier or fire department.



WARNING

Do not try to light this appliance without reading the "LIGHTING" instructions section of this manual.

Do not store or use gasoline or other flammable liquids or vapors in the vicinity of this or any other appliance. An L.P. cylinder not connected for use must not be stored in the vicinity of this or any other appliance. If the information in these instructions is not followed exactly, a fire or explosion may result, causing property damage, personal injury or death.

Adults and especially children should be alerted to the hazards of high surface temperatures. Young children should be supervised near the gas grill.

Notice to Installer: Leave these instructions with the grill owner for future reference.



N415-0248CE-GB-DE FEB 10.15

Napoleon Group of Companies
214 Bayview Dr., Barrie, Ontario, Canada L4N 4Y8
Phone: 1-705-726-4278 Fax: (705)-725-2564

www.napoleongrills.com

Customer Solutions: 1-866-820-8686 or grills@napoleonproducts.com



EN

DE
PG.19



PG.37



All NAPOLEON gas grills are manufactured under the strict Standard of the world recognized ISO 9001-2008 Quality Assurance Certificate.

NAPOLEON products are designed with superior components and materials, and are assembled by trained craftsmen who take great pride in their work. The burner and valve assembly are leak tested and test-fired at a quality test station. This grill has been thoroughly inspected by a qualified technician before packaging and shipping to ensure that you, the customer, receive the quality product you expect from NAPOLEON.



Napoleon Gas Grill President's Limited Lifetime Warranty

NAPOLEON warrants that components in your new NAPOLEON product will be free from defects in material and workmanship from the date of purchase, for the following period:

Aluminum castings / stainless steel base	Lifetime
Stainless steel lid	Lifetime
Porcelain enamel lid	Lifetime
Stainless steel cooking grids	Lifetime
Stainless steel tube burners	10 years ^{plus5}
Stainless steel sear plates	5 years ^{plus5}
Porcelain-enameled cast iron cooking grids	5 years ^{plus5}
Stainless steel infrared rotisserie burner	5 years
Ceramic infrared rotisserie burner (excluding screen)	3 years
Ceramic infrared bottom or side burners (excluding screen)	2 years
All other parts	2 years

^{plus5} indicates a period of extended warranty coverage whereby the replacement part will be made available to the consumer for an additional 5 years at 50% of the current retail price.

Conditions and Limitations

NAPOLEON warrants its products against manufacturing defects to the original purchaser only, provided that the purchase was made through an authorized NAPOLEON dealer and is subject to the following conditions and limitations:

This factory warranty is non-transferable and may not be extended what-so-ever by any of our representatives.

The gas grill must be installed by a licensed, authorized service technician or contractor. Installation must be done in accordance with the installation instructions included with the product and all local and national building and fire codes.

This limited warranty does not cover damages caused by misuse, lack of maintenance, grease fires, hostile environments, accident, alterations, abuse or neglect and parts installed from other manufacturers will nullify this warranty. Discoloration to plastic parts from chemical cleaners or UV exposure is not covered by this warranty.

This limited warranty further does not cover any scratches, dents, painted finishes, corrosion or discoloring by heat, abrasive and chemical cleaners, nor chipping on porcelain enamel parts, nor any components used in the installation of the gas grill.

Should deterioration of parts occur to the degree of non-performance (rusted through or burnt through) within the duration of the warranted coverage, a replacement part will be provided.

After the first year, with respect to this President's Limited Lifetime Warranty NAPOLEON may, at its discretion, fully discharge all obligations with respect to this warranty by refunding to the original warranted purchaser the wholesale price of any warranted but defective part(s).

NAPOLEON will not be responsible for the installation, labor or any other costs or expenses related to the re-installation of a warranted part, and such expenses are not covered by this warranty.

Notwithstanding any provision contained in this President's Limited Lifetime Warranty NAPOLEON's responsibility under this warranty is defined as above and it shall not in any event extend to any incidental, consequential, or indirect damages.

This warranty defines the obligation and liability of NAPOLEON with respect to the NAPOLEON gas grill and any other warranties expressed or implied with respect to this product, its components or accessories are excluded.

NAPOLEON neither assumes, nor authorizes any third party to assume, on its behalf, any other liabilities with respect to the sale of this product.

NAPOLEON will not be responsible for: over firing, blow outs caused by environmental conditions such as strong winds, or inadequate ventilation,

Any damages to the gas grill due to weather damage, hail, rough handling, damaging chemicals or cleaners will not be the responsibility of NAPOLEON.

The bill of sale or copy will be required together with a serial number and a model number when making any warranty claims from NAPOLEON.

NAPOLEON reserves the right to have its representative inspect any product or part prior to honoring any warranty claim.

NAPOLEON shall not be liable for any transportation charges, labor costs, or export duties.



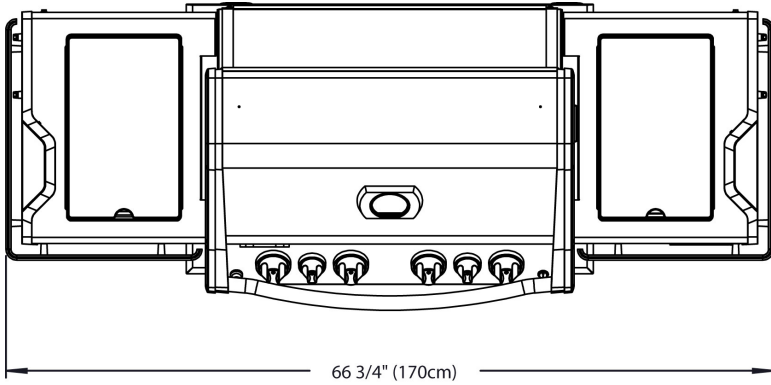
WARNING! Failure to follow these instructions could result in property damage, personal injury or death. Read and follow all warnings and instructions in this manual prior to operating grill.

Safe Operating Practices

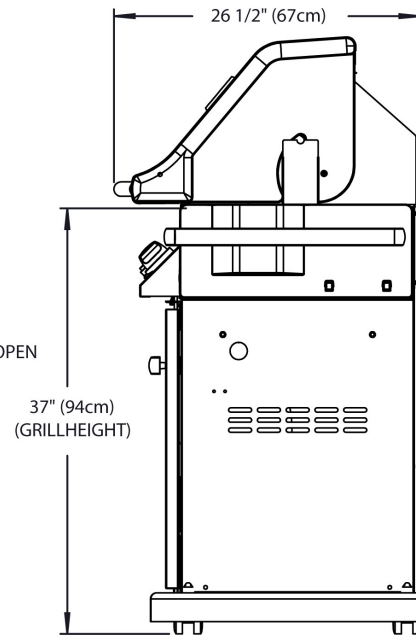
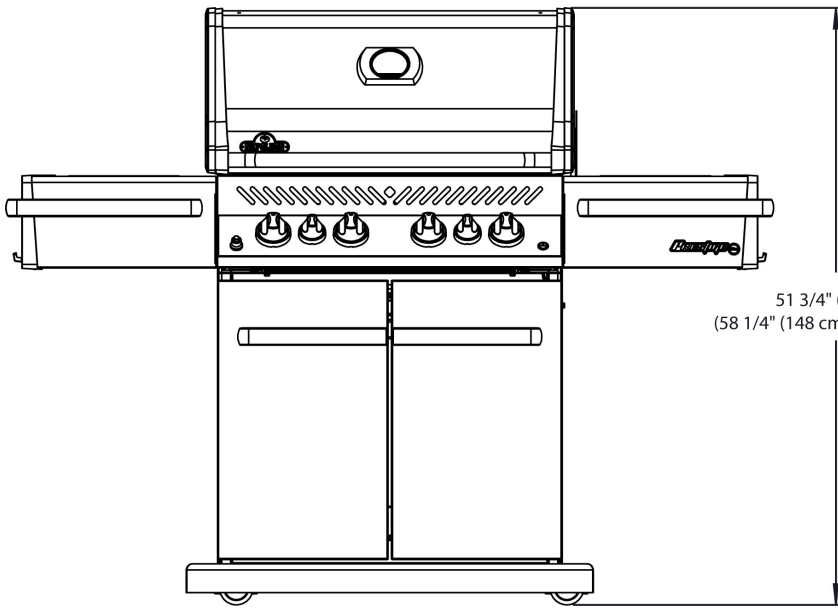
- This gas grill must be assembled exactly according to the instructions in the manual. If the grill was store assembled, you must review the assembly instructions to confirm correct assembly and perform the required leak tests before operating the grill.
- Read the entire instruction manual before operating the gas grill.
- Under no circumstance should this gas grill be modified.
- Follow lighting instructions carefully when operating grill.
- Gas must be turned off at the propane cylinder or at the natural gas supply valve when the gas grill is not in use.
- Keep children and pets away from hot grill, DO NOT allow children to climb inside cabinet.
- Children should be supervised to ensure that they do not play with the appliance.
- This appliance is not intended for use by persons (including children) with reduced physical, sensory or mental capabilities, or lack of experience and knowledge, unless they have been given supervision or instruction concerning use of the appliance by a person responsible for their safety.
- Do not leave the grill unattended while in use.
- Do not move grill when hot or operating.
- This grill is for household use only.
- This gas grill must not be installed in or on recreational vehicles and/or boats.
- This gas grill must only be stored outdoors in a well-ventilated area and must not be used inside a building, garage, screened -in porch or any other enclosed area.
- Maintain proper clearance to combustibles (24" (610mm) to rear of unit 7" (178mm) to sides). Additional clearance is recommended near vinyl siding or panes of glass.
- At all times keep the ventilation openings of the cylinder enclosure free and clear from debris.
- Do not operate unit under any combustible construction.
- Do not locate in windy settings. High winds adversely affect the cooking performance of the gas grill.
- When the gas grill is stored indoors, the propane cylinder must be disconnected from the grill and stored outdoors in a well-ventilated area, disconnected cylinders must not be stored in a building, garage or other enclosed area. Natural gas units must be disconnected from the supply when being stored indoors.
- Inspect the gas line hose before each use. If there is evidence of excessive abrasion or wear, it must be replaced before using the gas grill, with a replacement hose assembly specified by the grill manufacturer.
- Never store a spare LP gas cylinder under or near this grill.
- Never fill the cylinder beyond 80 % full.
- When changing out the gas cylinder, ensure there are no nearby sources of ignition. Do not smoke.
- Leak test all connections before initial use, even if the grill was purchased fully assembled, annually or whenever any gas component has been replaced.
- Never use natural gas in a unit designed for liquid propane gas.
- Never use lighter fluid in a gas grill.
- Use charcoal briquettes only with a Napoleon charcoal tray designed for this unit.
- Burner controls must be off when turning supply cylinder on.
- Do not light burners with lid closed.
- Do not operate rear burner with main burners operating.
- The lid is to be closed during the preheat period.
- Do not route hose underneath drip pan-proper hose clearance to bottom of unit must be maintained.
- Clean grease tray and sear plates regularly to avoid build-up, which may lead to grease fires.
- Remove warming rack before lighting rear burner. The extreme heat will damage the warming rack.
- Ensure sear plates are positioned properly according to sear plate installation instructions.
- Do not use side shelves to store lighters, matches or any other combustibles.
- Keep gas line away from heated surfaces
- Keep any electrical supply cord away from water or heated surfaces.
- Inspect infrared burner venturi tube for spider webs and other obstructions periodically. Clean the tubes completely if you find any such obstructions.
- The outdoor cooking gas grill and its individual shutoff valve must be disconnected from the gas supply piping system during any pressure testing of that system at test pressures in excess of 0.5psi (3.5kPa).
- The outdoor cooking gas grill must be isolated from the gas supply piping system by closing its individual manual shutoff valve during any pressure testing of the gas supply piping system at test pressures equal to or less than 1/2 psi (3.5 kPa).

DIMENSIONS

EN



PRO500 GRILL
 GRILL SIZE : 500 SQ.IN (3205 sq.cm)
 WARMING RACK SIZE : 260 SQ.IN (1625 sq.cm)
 ALL DIMENSIONS ARE APPROXIMATE



Correct Disposal Of This Product



This marking indicates that this product should not be disposed with other household wastes throughout the EU. To prevent possible harm to the environment or human health from uncontrolled waste disposal, recycle it responsibly to promote the sustainable reuse of material resources. To return your used device, please use the return and collection systems or contact the retailer where the product was purchased. They can take this product for environmental safe recycling.

Gas Cylinder

Use only gas cylinders, which meet national and regional codes. The minimum cylinder size for butane units is 13kg, and for propane units is 6kg. Ensure that the cylinder can provide enough fuel to operate the appliance. If in doubt, check with your local gas supplier.

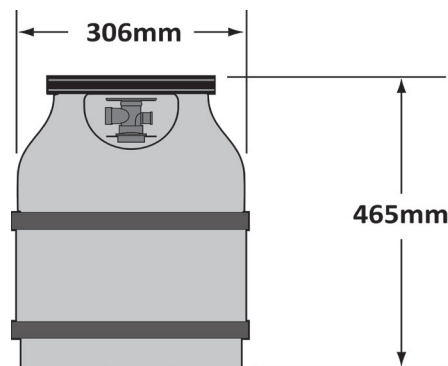
- Use caution when handling the cylinder valve.
- Never connect a cylinder, which does not meet local codes.
- All cylinders 7kg or larger must be placed outside the enclosure (under the right side shelf) on level ground. Cylinders smaller than 7kg (maximum size 465mm high by 306mm wide) may be placed inside the enclosure, on the right side of the bottom shelf. Only cylinders connected to the appliance may be stored in the enclosure, or close to the appliance. Spare cylinders must not be stored in the enclosure, or in close proximity of an operating unit. Cylinders must not be exposed to extreme heat or direct sunlight.



WARNING! Ensure that the hose is routed to maintain proper clearance to the underside of the unit. Hoses that contact high temperature surfaces may melt and leak, causing a fire.

Cylinder Connection: Ensure that the gas regulator hose is kink free. Remove the cap or plug from the cylinder fuel valve. Tighten regulator to cylinder valve. *Leak test all joints prior to using the barbecue.* A leak test must be performed annually, and each time a cylinder is hooked up, or if a part of the gas system is replaced.

Example Cylinder



Gas Hose

- If the hose and regulator are not included by the manufacturer, then only hoses and regulators which meet national and regional codes are to be used.
- Ensure that the hose does not come into contact with grease, other hot drippings, or any hot surfaces on the appliance.
- Check hose regularly. In the case of rips, melting or wear, replace hose before using the appliance.
- The recommended hose length is 0.9m. The hose must not be longer than 1.5m.
- Ensure that the hose is twist and kink free when installed.
- Replace the hose before expiry date printed on the hose.



WARNING!

- Do not route hose underneath drip pan.
- Do not route hose between space in bottom shelf and back panel.
- Do not route hose over top of back panel.
- Ensure all connections are tightened using two wrenches. Do not use Teflon tape or pipe dope on any hose connection.
- Ensure the hose does not contact any high temperature surfaces, or it may melt and leak causing a fire.
- Do not use enclosure to store excess hose, as there is a greater chance of the hose contacting a hot surface, it may melt and leak causing a fire.

Technical Data

The following table lists input values for the appliance.

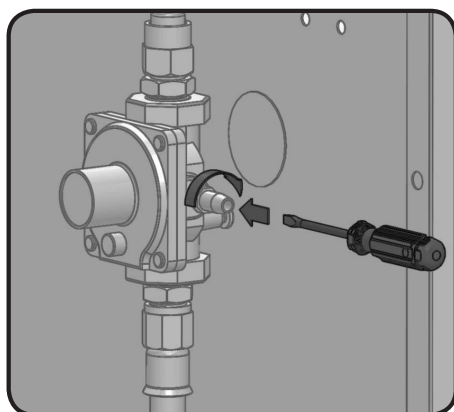
Burner	Orifice Size		(Gross) Heat Input (Total)		Gas Usage (Total)	
	I	II	I	II	I	II
Main	#60	1.45mm	16.0 kW	14.0 kW	1164 g/hr	1332 L/hr
Rear	1.25mm	#50	5.7 kW	5.0 kW	415 g/hr	476 L/hr
Side (Infra Red)	#60	1.45mm	4.0 kW	3.5 kW	291 g/hr	333 L/hr
Side (Flame)	#60	1.45mm	4.0 kW	3.5 kW	291 g/hr	333 L/hr

Certified Gases / Pressures - Check rating plate to ensure that it corresponds with following list.

Gas Category	3B/P(30)	3+(28-30/37)	3B/P(37)	3B/P(50)	2H	2E	2E+	2L
Orifice Sizes (see above)	I	I	I	I	II	II	II	II
Gases / Pressures	Butane and Propane at 30mbar	Butane 28-30mbar Propane 37mbar	Butane and Propane at 37mbar	Butane and Propane at 50mbar	G20 at 20mbar	G20 at 20/25 mbar	G20/G25 at 20/25 mbar	G25 at 25mbar
Countries	BE, BG, CY, DK, EE, FI, FR, GB, HR, HU, IS, IT, LT, LU, MT, NL, NO, RO, SE, SI, SK, TR	BE, CH, CY, CZ, ES, FR, GB, GR, IE, IT, LT, LU, LV, PT, SK, SI	PL	AT, CH, DE, SK	AT, BG, CH, CZ, DK, EE, ES, FI, GB, GR, HR, HU, IE, IS, IT, LV, LT, NO, PT, RO, SE, SI, SK, TR	DE, LU, PL	BE,FR	NL

Do not tamper with or modify regulator. Use only regulator which supply the pressure listed in the table above. The grill is also equipped with an internal regulator. This internal regulator has an outlet pressure of 24.5 mbar for propane/butane and 18.5 mbar for natural gas and must not be modified or adjusted. For replacement, use only the regulator specified by the manufacturer.

This unit includes an internal regulator which stabilizes the gas pressure and improves grill performance. This regulator cannot be adjusted. There is a pressure tap located on the side of the regulator. It can be used by a qualified service person when servicing the grill to determine if the regulator is functioning properly. The screw within the pressure tap must always be kept tight, except when performing a pressure test on the regulator (qualified service personnel only).



Leak Testing Instructions



WARNING! A leak test must be performed annually and each time a cylinder is hooked up or if a part of the gas system is replaced.



WARNING! Never use an open flame to check for gas leaks. Be certain no sparks or open flames are in the area while you check for leaks. Sparks or open flames will result in a fire or explosion, damage to property, serious bodily injury, or death.



Leak testing: This must be done before initial use, annually, and whenever any gas components are replaced or serviced. Do not smoke while performing this test, and remove all sources of ignition. See Leak Testing Diagram for areas to check. Turn all burner controls to the off position. Turn gas supply valve on.



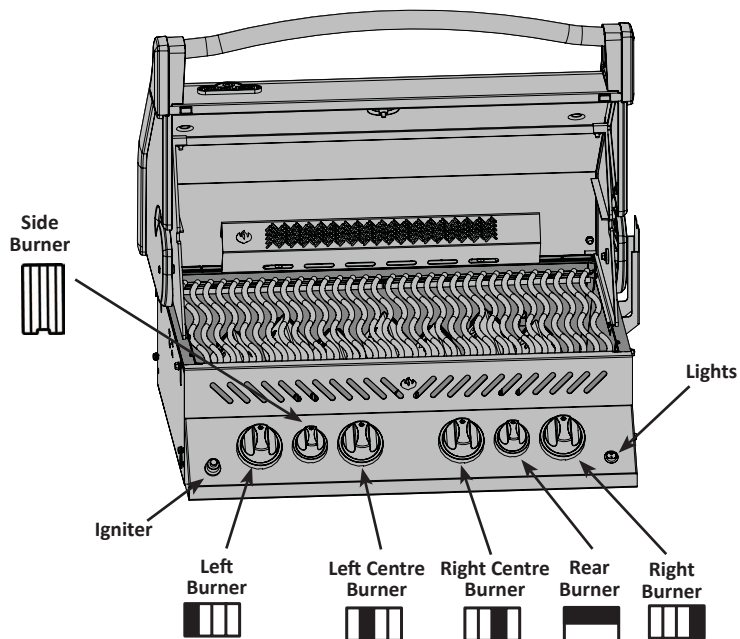
Brush a half-and-half solution of liquid soap and water onto all joints and connections of the regulator, hose, manifolds and valves.



Bubbles will indicate a gas leak. Either tighten the loose joint or have the part replaced with one recommended by the Napoleon Customer Solutions department and have the grill inspected by a certified gas installer.

If the leak cannot be stopped, immediately shut off the gas supply, disconnect it, and have the grill inspected by a certified gas installer or dealer. Do not use the grill until the leak has been corrected.

Lighting Instructions



WARNING! Open lid

Off Position



WARNING! Ensure all burner controls are in the off position. Slowly turn on the gas supply valve.

Main Burner Lighting	Rear Burner Lighting (if equipped)	Side Burner Lighting (optional)
1. Open grill lid	1. Open grill lid	1. Open burner cover.
2. Push and turn any main burner knob slowly to the high position. If the pilot lights, continue to push down on the control knob until the burner lights and then release.	2. Remove warming rack.	2. Turn side burner control to high position.
3. If the pilot does not ignite, then immediately turn the control knob back to the 'off' position and repeat step 2 several times.	3. Turn rear burner control to high position.	3. Press and hold igniter button until burner lights, or light by match.
4. If the pilot and burner will not ignite within 5 seconds, turn the control knob to the 'off' position and wait 5 minutes for any excess gas to dissipate. Either repeat steps 2 and 3 or light with a match.	4. Press and hold igniter button until burner lights, or light by match.	4. If ignition is not immediate, turn burner control off. Wait 5 minutes. Repeat.
5. If lighting the unit with a match, clip the match into the supplied lighting rod. Hold the lit match down through the grill and sear plate while turning the corresponding burner valve to high.	5. If ignition is not immediate, turn burner control off. Wait 5 minutes. Repeat.	



WARNING! Do not use rear burner while operating main burner.

Cooking Instructions

Initial Lighting: When lit for the first time, the gas grill emits a slight odor. This is a normal temporary condition caused by the “burn-in” of internal paints and lubricants used in the manufacturing process and does not occur again. Simply run the main burners on high for approximately one-half hour.

Do not locate this gas grill in windy settings. High winds adversely affect the cooking performance of the gas grill. In extreme circumstances when consistent high winds come from directly behind the unit, heat can vent underneath the control panel. This may cause the control panel to become extremely hot to touch and the knobs to deform.

Napoleon offers an optional wind deflector illustrated below. Install this wind deflector to help prevent the possibility of improper heat build up.

NOTE! Napoleon is not responsible for: over firing, blow outs caused by environmental conditions such as strong winds, or inadequate ventilation.

FIG .1



FIG .2

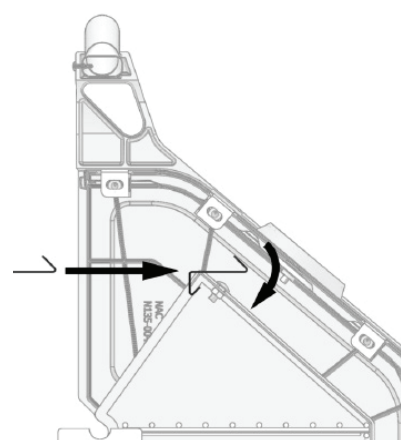
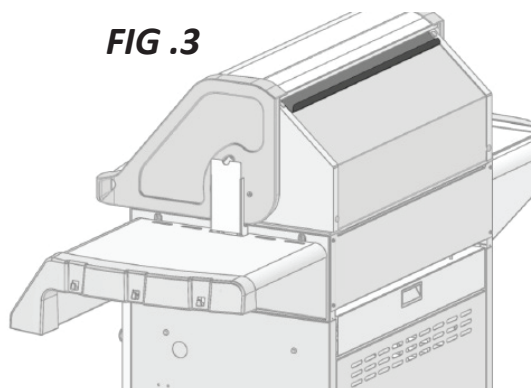


FIG .3



Main Burner Use: When searing foods, we recommend preheating the grill by operating all main burners in the high position with the lid closed for approximately 10 minutes. Food cooked for short periods of time (fish, vegetables) can be grilled with the lid open. Cooking with the lid closed will ensure higher, more even temperatures that can reduce cooking time and cook meat more evenly. Food that has a cooking time longer than 30 minutes, such as roasts, can be cooked indirectly (with the burner lit opposite to the food placement). When cooking very lean meats, such as chicken breasts or lean pork, the grids can be oiled before pre-heating to reduce sticking. Cooking meat with a high degree of fat content can create flare-ups. Either trim the fat or reduce temperatures to inhibit this. Should a flare-up occur, move food away from the flames and reduce the heat. Leave the lid open. See Your All Season Grill cookbook by Napoleon for more detailed instructions.

Infrared Main Burner Use (If Equipped): Follow the Infrared Burner Ignition procedures and operate on high for 5 minutes with the lid closed or until the ceramic burners glow red. Place food on the grill(s) and cook according to times listed in the Infrared Grilling Chart. Depending upon your taste, continue cooking over infrared burners on high, medium, or low, turning food frequently, or place food over unlit burners, close lid, and allow the oven temperature to slowly finish cooking your food.



CAUTION! Due to the intense heat the infrared burners provide, food left unattended over burners will burn quickly. Keep the lid open when cooking with the infrared burners set to high. The intense heat ensures adequate searing temperatures even with the lid open. This also allows observation of the food to prevent burning.

Direct Cooking: Place food to be cooked on the grill directly over the heat. This method is generally used for searing or for foods that do not require prolonged cooking times such as hamburgers, steaks, chicken pieces, or vegetables. The food is first seared to trap-in the juices and flavor, and then the temperature is lowered to finish cooking the food to your preference.

Indirect Cooking: With one or more burners operating, place food to be cooked on the grill over a burner that is not operating. The heat circulates around the food, cooking slowly and evenly. Cooking with this method is much the same as cooking in your oven and is generally used for larger cuts of meats such as roasts, chickens or turkeys, but can also be used for cooking foods that are prone to flare-ups or for smoking foods. Lower temperatures and slower cooking times result in tender foods.

Rear Burner Use (If Equipped): Remove the warming rack prior to use, the extreme heat will damage the warming rack. Cooking grids should also be removed if they interfere with the rotisserie. The rear burner is designed to be used in conjunction with the rotisserie kit available from your dealer. See the rotisserie kit assembly instructions.

To use the counterbalance - remove the rotisserie motor from the gas grill. Place the spit with meat being cooked across the hangers inside the grill. The meat will naturally hang with the heavy side down. Tighten the counterbalance arm and weight so the arm is facing up. Slide the counterweight in or out to balance the load and tighten in place. Re-install the motor and begin cooking. Place a metal dish underneath the meat to collect drippings for basting and naturally delicious gravy. Basting liquid may be added as required. To seal in juices, first operate rear burner on high until brown, then reduce the heat to thoroughly cook foods. Keep the lid closed for best results. Your roasts and fowl will brown perfectly on the outside and stay moist and tender on the inside. For example, a 3 pound chicken on the rotisserie will be done in approximately 1½ hours on medium to high. See 'Your all Season Grill' cookbook by Napoleon for more detailed instructions.



WARNING! Barbecue sauce and salt can be corrosive and will cause rapid deterioration of the gas grill components unless cleaned regularly. When finished cooking disassemble rotisserie components, wash thoroughly with warm soapy water and store indoors.

Infrared Side Burner Use: The gas grill should be located so that the side burner is protected from the wind, because the wind will adversely affect its performance. The recommended pan diameter is 200 to 250 mm.

The side burner is equipped with a cooking grid which can be positioned at two different heights. The lower position can be used like any range top burner, for gravies, soups, etc. The higher position is for searing meats. (see instructions located on side burner lid).



WARNING! Do not close the side burner lid while it is operating or hot.

WARNING! Do not adjust cooking grid while hot or operating.

WARNING! Do not use side burner to deep fry foods as cooking with oil can create a dangerous situation.

1. Follow the infrared side burner lighting instructions and operate on high for 5 minutes with the lid opened or until the ceramic burners glow red.
2. Place food on grills and cook according to times listed in the Infrared Grilling Chart.
3. Depending upon your taste, continue cooking over infrared burners on high, medium or low, turning food frequently, or place food on the main burner area of the grill, close lid, and allow oven temperature to slowly finish cooking your food.

CAUTION! Due to the intense heat the infrared burners provide, food left unattended over burners will burn quickly.

Protection Of Your Infra Red Burners: The infrared burners of your grill are designed to provide a long service life. However, there are steps you must take to prevent cracking of their ceramic surfaces, which will cause the burners to malfunction.

- Never let water come in direct contact with your ceramic burner.
- Do not allow hard objects to impact the infra red burner.
- Do not allow cold water (rain, sprinkler, hose, etc.) to come in contact with hot ceramic burners. A large temperature differential can cause cracking of the ceramic tile.
- Keep the lid closed when the side burner is not in use.
- After cooking operate the burner on high for 5 minutes, to burn off any drippings and debris.

Damage caused by failure to follow these steps is not covered by your grill warranty.

Infrared Heat

Most people don't realize that the heat source we are most familiar with, our sun, warms the earth using mainly infrared energy. This is a form of electro-magnetic energy with a wavelength just greater than the red end of the visible light spectrum but less than a radio wave. This energy was discovered in 1800 by Sir William Herschel who dispersed sunlight into its component colors using a prism. He showed that most of the heat in the beam fell into the spectral region just beyond the red end of the spectrum, where no visible light existed. Most materials readily absorb infrared energy in a wide range of wavelengths, causing an increase in its temperature. The same phenomenon causes us to feel warmth when we are exposed to sunlight. The infrared rays from the sun travel through the vacuum of space, through the atmosphere, and penetrate our skin. This causes increased molecular activity in the skin, which creates internal friction and generates heat, allowing us to feel warmth.

Foods cooked over infrared heat sources are heated by the same principle. Charcoal grilling is our most familiar choice for infrared cooking. The glowing briquettes emit infrared energy to the food being cooked with very little drying effect. Any juices or oils that escape from the food drip onto the charcoal and vaporize into smoke giving the food its delicious grilled taste. The Napoleon infrared burner cooks in the same way. In each burner, 10,000 ports – each with its own tiny flame – cause the surface of the ceramic tile to glow red. This glow emits the same type of infrared heat to the food as charcoal, without its hassle or mess. Infrared burners also provide a more consistently heated area that is far easier to regulate than a charcoal fire. For instant searing, the burners can be set to high, yet they can also be turned down for slower cooking. We all know how difficult that is on a charcoal fire. Traditional gas burners heat the food in a different way. The air surrounding the burner is heated by the combustion process and then rises to the food being cooked. This generates lower grill temperatures that are ideal for more delicate cuisine such as seafood or vegetables, whereas Napoleon's infrared burners produce searing heat for juicier, tastier steaks, hamburgers and other meats. For cooking times and tips refer to the Infrared Grilling Chart.

Infrared Grilling Chart

Food	Control Setting	Cooking Time	Helpful Suggestions
Steak 1 in. (2.54cm) thick	High setting 2 min. each side. High setting 2 min. each side then medium setting. High setting 2 min. each side then medium setting.	4 min. – Rare 6 min. – Medium 8 min. – Well done	When selecting meat for grilling, ask for marbled fat distribution. The fat acts as a natural tenderizer while cooking and keeps it moist and juicy.
Hamburger 1/2 in. (1.27cm) thick	High setting 2 min. each side. High setting 2 1/2 min. each side. High setting 3 min. each side.	4 min. – Rare 5 min. – Medium 6 min. – Well done	Preparing hamburgers to order is made easier by varying the thickness of your patties. To add an exotic taste to your meat, try adding hickory-flavored woodchips to Napoleon's woodchip smoker.
Chicken pieces	High setting 2 min. each side. then medium-low to low setting.	20-25 min.	The joint connecting the thigh and the leg from the skinless side should be sliced 3/4 of the way through for the meat to lay flatter on the grill. This helps it to cook faster and more evenly. To add a trademark taste to your cooking, try adding mesquite-flavoured woodchips to your Napoleon woodchip smoker.
Pork chops	Medium	6 min. per side	Trim off the excess fat before grilling. Choose thicker chops for more tender results.
Spare ribs	High setting for 5 minutes low to finish	20 min. per side turn often	Choose ribs that are lean and meaty. Grill until meat easily pulls away from the bone.
Lamb chops	High setting for 5 minutes medium to finish	15 min. per side	Trim off the excess fat before grilling. Choose extra thick chops for more tender results.
Hot dogs	Medium - Low	4-6 min.	Select the larger size wieners. Slit the skin lengthwise before grilling.

Cleaning Instructions



WARNING! Always wear protective gloves and safety glasses when servicing your grill.



WARNING! To avoid the possibility of burns, maintenance should be done only when the grill is cool. Avoid unprotected contact with hot surfaces. Ensure all burners are turned off. Clean grill in an area where cleaning solutions will not harm decks, lawns, or patios. Do not use oven cleaner to clean any part of this gas grill. Do not use a self-cleaning oven to clean cooking grids or any other parts of the gas grill. Barbecue sauce and salt can be corrosive and will cause rapid deterioration of the gas grill components unless cleaned regularly.



Note: Stainless steel tends to oxidize or stain in the presence of chlorides and sulfides, particularly in coastal areas and other harsh environments, such as the warm, highly humid atmosphere around pools and hot tubs. These stains could be perceived as rust, but can be easily removed or prevented. To provide stain prevention and removal, wash all stainless steel surfaces every 3-4 weeks or as often as required with fresh water and/or stainless steel cleaner.

Grids And Warming Rack: The grids and warming rack are best cleaned with a brass wire brush during the pre-heating period. Steel wool can be used for stubborn stains. It is normal that stainless grids (if equipped) will discolor permanently from regular usage due to the high temperature of the cooking surface.

Control Panel: The control panel text is printed directly on the stainless steel and with proper maintenance will remain dark and legible. To clean the panel, use only warm soapy water or stainless steel cleaner available from your Napoleon dealer. Never apply abrasive cleaners on any stainless surfaces, especially the printed portion of the control panel or the printing will gradually rub off.

Infrared Burners: Because of the high intensity of the infrared burner, most drippings and food particles that fall onto the burner surface are immediately incinerated. However, some debris and residue may remain. To remove this residue after cooking, operate the grill on high for 5-10 minutes. Do not clean the ceramic tile with a wire brush.

Cleaning Inside The Gas Grill: Remove the cooking grids. Use a brass wire brush to clean loose debris from the casting sides and underneath the lid. Scrape the sear plates with a putty knife or scraper, and use a wire brush to remove the ash. Remove the sear plates and brush debris from the burners with the brass wire brush. Sweep all debris from inside the gas grill into the drip pan.



WARNING! Accumulated grease is a fire hazard.

Drip Pan: The drip pan on your grill has been supplied with a grease deflector which is easily installed by pressing into place. Clean the drip pan, the grease deflector, and the grease tray frequently (every 4-5 uses or as often as required) to avoid grease buildup. Grease and excess drippings pass through to the drip pan, located beneath the gas grill and accumulate in the disposable grease tray below the drip pan. To access the disposable grease tray or to clean the drip pan, slide the drip pan free of the grill. Remove the grease deflector from the drip pan. The drip pan and the grease deflector should be scraped with a putty knife or scraper. Never line the drip pan with aluminum foil, sand or any other material as this could prevent the grease from flowing properly. Once clean, fit the grease deflector into the drip pan and reinstall into your grill. Replace the disposable grease tray every 2 – 4 weeks, depending on your gas grill usage. For supplies, see your Napoleon Gas Grill dealer.

Cleaning The Outer Grill Surface: Do not use abrasive cleaners or steel wool on any painted, porcelain or stainless steel parts of your Napoleon Grill. Doing so will scratch the finish. Exterior grill surfaces should be cleaned with warm soapy water while the metal is still warm to the touch. To clean stainless surfaces, use a stainless steel or a non-abrasive cleaner. Always wipe in the direction of the grain. Over time, stainless steel parts discolor when heated, usually to a golden or brown hue. This discoloration is normal and does not affect the performance of the grill. Porcelain enamel components must be handled with additional care. The baked-on enamel finish is glass-like, and will chip if struck. Touch-up enamel is available from your Napoleon Grill dealer.



Maintenance Instructions

We recommend this gas grill be thoroughly inspected and serviced annually by a qualified service person.

At all times keep the gas grill area free from combustible materials, gasoline and other flammable vapors and liquids. Do not obstruct the flow of ventilation and combustion air. Keep the cylinder enclosure ventilation openings (located on the cart sides and at the front and back of the bottom shelf) free and clear from debris.

WARNING! Always wear protective gloves and safety glasses when cleaning your grill.

WARNING! Turn off the gas at the source and disconnect the unit before servicing. To avoid the possibility of burns, maintenance should be done only when the grill is cool. A leak test must be performed annually and whenever any component of the gas train is replaced or gas smell is present.

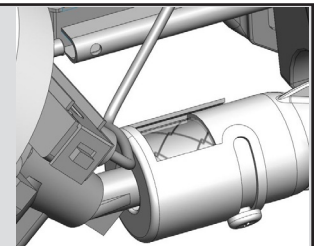
Burner: The burner is made from heavy wall 304 stainless steel, but extreme heat and a corrosive environment can cause surface corrosion to occur. This can be removed with a brass wire brush.

CAUTION! Beware of Spiders.

Spiders and insects are attracted to the smell of propane and natural gas. The burner is equipped with an insect screen on the air shutter, which reduces the likelihood of insects building nests inside the burner but does not entirely eliminate the problem. A nest or web can cause the burner to burn with a soft yellow or orange flame or cause a fire (flashback) at the air shutter underneath the control panel. To clean the inside of the burner, it must be removed from the gas grill: Remove the screw (s) that attaches the burner to the back wall. Slide the burner back and up wards to remove. Cleaning: Use a flexible venturi tube brush to clean the inside of the burner. Shake any loose debris from the burner through the gas inlet. Check the burner ports and valve orifices for blockages. Burner ports can close over time due to cooking debris and corrosion, use an opened paperclip or the supplied port maintenance bit to clean them. Drill out blocked ports using this drill bit in a small cordless drill. The ports are easier to clean if the burner is removed from the grill, but it can also be done with the burner installed. Do not flex the drill bit when drilling the ports, as this will cause the drill bit to break. This drill is for burner ports only, not for the brass orifices (jets) which regulate the flow into the burner. Take care not to enlarge the holes. Ensure the insect screen is clean, tight, and free of any lint or other debris.

Reinstallation: Reverse the procedure to reinstall the burner. Check that the valve enters the burner when installing. Replace sear plate mount and / or tighten screws to complete reinstallation.

WARNING! When reinstalling the burner after cleaning it is very important that the valve/orifice enters the burner tube before lighting your gas grill. If the valve is not inside the burner tube a fire or explosion could occur.

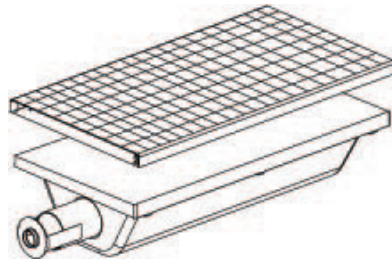


Protection Of Infrared Burners: The infrared burners of your grill are designed to provide a long service life, though care must taken to prevent cracking of their ceramic surfaces. Fractures will cause the burners to malfunction. The following provides a few of the causes of cracks and the steps you can take to avoid them. Damage caused by failure to follow these steps is not covered by your grill warranty.

1. Impact with hard objects - Never allow hard objects to strike the ceramic. Take care when inserting or removing cooking grates and accessories into or from the grill.
2. Contact with water or other liquids - Cold liquids contacting the hot ceramic surfaces can cause them to break. Never throw water into the grill to douse a flame. If the ceramic or interior of a burner becomes wet while not in use, later operation of the burner can create steam, which can produce sufficient pressure to crack the ceramic. Repeated soaking of the ceramic can also cause it to swell and expand. This expansion causes undue pressure on the ceramic that can cause it to crack and crumble.
 - i) Never throw water into the grill to control flare-ups.
 - ii) Do not attempt to operate the infrared burners in open air while raining.
 - iii) If you find standing water in your grill (because of exposure to rainfall, sprinklers, etc.), inspect the ceramic for evidence of possible watersoaking. If the ceramic appears to be wet, remove the burner from the grill. Turn it upside down to drain the excess water and bring indoors to dry thoroughly.

3. Impaired ventilation of hot air from the grill - For the burners to function properly, hot air must have a way to escape the grill. If the hot air is not allowed to escape, the burners can become deprived of oxygen causing them to back-flash. If this occurs repeatedly, the ceramic could crack. Never cover more than 75% of the cooking surface with solid metal (i.e., griddle or large pan).

4. Incorrect cleaning - Do not clean the ceramic tile with a wire brush. If debris is collecting on your burner, light the burner and operate on high for 5 minutes with the lid open, allowing debris to burn off.



Replacement Screen N565-0002



WARNING! Hose: Check for abrasions, melting, cuts, and cracks in the hose. If any of these conditions exist, do not use the gas grill. Have the part replaced by your Napoleon Gas Grill dealer or qualified gas installer.

Aluminum Castings: Clean castings periodically with warm soapy water. Aluminum will not rust, but high temperatures and weathering can cause oxidation to occur on aluminum surfaces. This appears as white spots on the castings. To refinish these areas, clean first and sand lightly with fine sandpaper. Wipe the surface to remove any residue and paint with high temperature barbecue paint. Protect surrounding areas from over-spray. Follow the manufacture's directions for curing.

Troubleshooting

Problem	Possible Causes	Solution
Low heat / Low flame when valve turned to high.	For propane - improper lighting procedure. For natural gas - undersized supply line. For both gases - improper preheating.	Ensure lighting procedure is followed carefully. All gas grill valves must be in the off position when the tank valve is turned on. Turn tank on slowly to allow pressure to equalize. See lighting instructions. Pipe must be sized according to installation code. Preheat grill with both main burners on high for 10 to 15 minutes.
Excessive flare-ups/uneven heat.	Sear plates installed incorrectly. Improper preheating. Excessive grease and ash build on sear plates and in drip pan.	See assembly instructions. Preheat grill with main burners on high for 10 to 15 minutes. Clean sear plates and drip pan regularly. Do not line pan with aluminum foil. Refer to cleaning instructions.
Burners burn with yellow flame, accompanied by the smell of gas.	Possible spider web or other debris in burner.	Thoroughly clean burner by removing. See general maintenance instructions.
Rear and Side burners will not light with the igniter, but will light with a match.	Dead battery / or installed incorrectly. Loose electrode wire or switch terminal wires.	Replace with heavy duty premium battery. Check that electrode wire is firmly pushed onto the terminal on the back of the igniter. Check that the lead wires from the module to the ignition switch (if equipped) are firmly pushed onto their respective terminals.
Main burner will not light with the igniter, but will light with a match.	Jet-fire outlet is dirty or clogged.	Clean jet-fire outlet with a soft bristle brush.
Humming regulator.	Normal occurrence on hot days.	This is not a defect. It is caused by internal vibrations in the regulator and does not affect the performance or safety of the gas grill. Humming regulators will not be replaced.
Burners will not cross light each other.	Dirty or corroded cross light brackets.	Clean or replace as required.
"Paint" appears to be peeling inside lid or hood.	Grease build-up on inside surfaces.	This is not a defect. The finish on the lid and hood is porcelain, and will not peel. The peeling is caused by hardened grease, which dries into paint-like shards, that flake off. Regular cleaning will prevent this. See cleaning instructions.
Burner output on "high" setting is too low. (Rumbling noise and fluttering blue flame at burner surface.)	Lack of gas. Supply hose is pinched. Dirty or clogged orifice. Spider webs or other matter in venturi tube.	Check gas level in propane cylinder. Reposition supply hose as necessary. Clean burner orifice. Clean out venturi tube.

Problem	Possible Causes	Solution
Infrared burner (if equipped) flashes back (during operation the burner abruptly makes a loud “whoosh” sound, followed by a continuous blow-torch type sound and grows dim.)	<p>Ceramic tiles overloaded with grease drippings and build-up. Ports are clogged.</p> <p>Burner overheated due to inadequate ventilation (too much grill surface covered by griddle or pan.)</p> <p>Cracked ceramic tile.</p> <p>Leaking gasket surrounding the ceramic tile, or a weld failure in the burner housing.</p>	<p>Turn burner off and allow to cool for at least two minutes. Relight burner and burn on high for at least five minutes or until the ceramic tiles are evenly glowing red.</p> <p>Ensure that no more than 75% of the grill surface is covered by objects or accessories. Turn burner off and allow to cool for at least two minutes, then relight.</p> <p>Allow burner to cool and inspect very closely for cracks. If any cracks are found, contact your authorized Napoleon dealer to order a replacement burner assembly.</p> <p>Contact your authorized Napoleon dealer for instructions on ordering a replacement burner assembly.</p>
Pilot will not light. (if equipped)	<p>Lack of gas.</p> <p>Obstruction in pilot orifice.</p> <p>Electrode wire loose or off.</p> <p>Dirty pilot electrode.</p> <p>Pilot is actually lit.</p>	<p>After turning pilot knob to high, wait approximately 20-30 seconds for air to purge the gas supply line while pressing igniter. Fill propane cylinder. During initial set-up or after tank has been refilled, it is best to light one of the tube burners before lighting the pilot burner. This enables the gas to reach the valves on the manifold more quickly.</p> <p>Clean pilot orifice.</p> <p>Replace lead wire.</p> <p>Clean pilot electrode.</p> <p>The pilot flame, especially on natural gas units is very difficult to see. Place your hand 1 in. (2.5 cm) above grill surface over the pilot burner to feel for heat.</p>

KEEP YOUR RECEIPT AS PROOF OF PURCHASE TO VALIDATE YOUR WARRANTY.

Ordering Replacement Parts

Warranty Information

MODEL: _____

DATE OF PURCHASE: _____

SERIAL NUMBER: _____

(Record information here for easy reference)

Before contacting the Customer Care Department, check the NAC Website for more extensive cleaning, maintenance, troubleshooting and parts replacement instructions at www.napoleongrills.com. Contact the factory directly for replacement parts and warranty claims. Our Customer Solutions Department is available between 9 AM and 5 PM (Eastern Standard Time) at 1-866-820-8686 or fax at 1-705-727-4282. To process a claim, we must be provided with the following information:

1. Model and serial number of the unit.
2. Part number and description.
3. A concise description of the problem ('broken' is not sufficient).
4. Proof of purchase (photocopy of the invoice).

In some cases the Customer Care Representative could request to have the parts returned to the factory for inspection before providing replacement parts. These parts must be shipped prepaid to the attention of the Customer Solutions Department with the following information enclosed:

1. Model and serial number of the unit.
2. A concise description of the problem ('broken' is not sufficient).
3. Proof of purchase (photocopy of the invoice).
4. Return Authorization Number - provided by the Customer Care Representative.

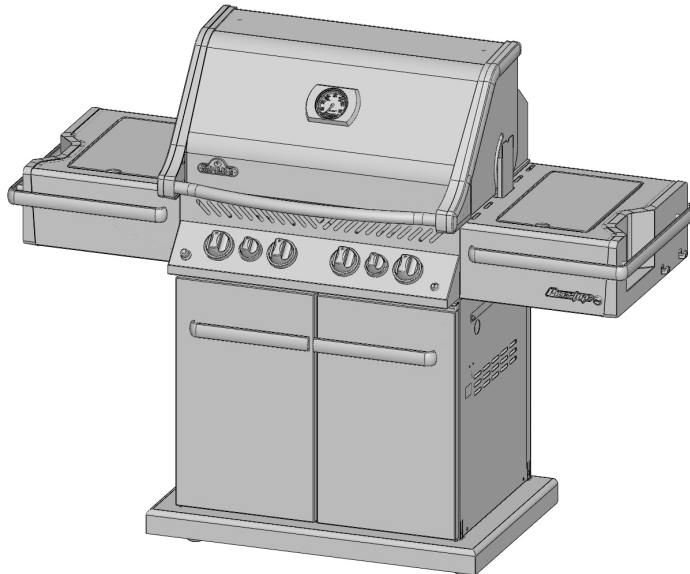
Before contacting customer care, please note that the following items are not covered by the warranty:

- Costs for transportation, brokerage or export duties.
- Labor costs for removal and reinstallation.
- Costs for service calls to diagnose problems.
- Discoloration of stainless steel parts.
- Part failure due to lack of cleaning and maintenance, or use of improper cleaners (oven cleaner).

Dieser Gasgrill darf nur an einem gut belüfteten Ort im Freien benutzt werden, nicht jedoch in einem Gebäude, einer Garage oder einem anderen geschlossenen Bereich.



DE



PRO 500



GEFAHR

WENN ES NACH GAS RIECHT:

- Gaszufuhr zum Gerät absperren.
- Flammen löschen.
- Haube öffnen.
- Wenn es weiterhin nach Gas riechen sollte, dem Gerät fernbleiben und unverzüglich den Gaslieferanten oder die Feuerwehr benachrichtigen.



ACHTUNG

Vor dem Zünden dieses Geräts bitte unbedingt den Abschnitt „ZÜNDANLEITUNG“ lesen.

In der Nähe dieses oder anderer Geräte dürfen weder Benzin noch andere brennbaren Flüssigkeiten oder Gase gelagert werden. Dies gilt auch für nicht angeschlossene Gasflaschen. Ein Nichtbefolgen dieser Anleitung kann durch Brände oder Explosionen zu Sachschäden und Körperverletzungen, auch zu tödlichen, führen.

Erwachsene und insbesondere Kinder sollten vor den Gefahren beim Umgang mit hohen Oberflächentemperaturen gewarnt werden. Kleine Kinder, die sich in der Nähe des Gasgrills aufhalten, sollten stets beaufsichtigt werden.

Bitte Bewahren Sie Diese Anleitung Auf



N415-0248CE-GB-DE FEB 10.15

Napoleon Group of Companies
214 Bayview Dr., Barrie, Ontario, Canada L4N 4Y8
Phone: 1-705-726-4278 Fax: (705)-725-2564

www.napoleongrills.com

Customer Solutions: 1-866-820-8686 or grills@napoleonproducts.com





NAPOLEON-Gasgrills werden gemäß Qualitätssicherungsnorm ISO 9001-2008 hergestellt.

NAPOLEON-Produkte bestehen aus hervorragenden Bauteilen und Materialien und werden von Fachkräften montiert, die stolz auf ihre Arbeit sind. Vor dem Verpacken für den Versand sind Ventile und Brenner auf einem Qualitätsprüfstand leakagegeprüft bzw. probegezündet und von einem qualifizierten Techniker inspiziert worden, damit der Kunde genau das Qualitätsprodukt erhält, das er von NAPOLEON erwartet.

President's Limited Lifetime Warranty der Napoleon-Gasgrills

Die Firma NAPOLEON garantiert, dass ab Kaufdatum an den Komponenten Ihres neuen NAPOLEON-Produkts weder Material- noch Verarbeitungsmängel für die folgende Dauer auftreten:

Alugussteile / Edelstahlrahmen	Lebenszeit
Edelstahl Deckel	Lebenszeit
Porzellan-Emailierter Deckel	Lebenszeit
Edelstahl-Grillroste	Lebenszeit
Edelstahl-Rohrbrenner	10 Jahre ^{plus5}
Edelstahl-Flammenschutzsätze	5 Jahre ^{plus5}
Grillroste aus porzellanbeschichtetem Gusseisen	5 Jahre ^{plus5}
Edelstahl-Infrarotbrenner für Drehspieß	5 Jahre
Keramik-Infrarotbrenner für Drehspieß (ausgenommen Gitter)	3 Jahre
Unterer Keramik-Infrarotbrenner oder Keramik-Infrarot-Seitenbrenner (ausgenommen Gitter)	2 Jahre
Sonstige Teile	2 Jahre

^{plus5} bedeutet eine erweiterte Garantiefrist, wonach das Ersatzteil dem Käufer für zusätzliche 5 Jahre zu 50% des aktuellen Einzelhandelspreises zur Verfügung gestellt wird.

Bedingungen und Beschränkungen

NAPOLEON garantiert ausschließlich gegenüber dem Erstkäufer und unter der Voraussetzung, dass der Kauf über einen offiziellen NAPOLEON-Vertragshändler erfolgt ist, eine Mängelfreiheit seiner Produkte. Dabei gelten die folgenden Bedingungen und Beschränkungen:

Die vorliegende Herstellergarantie ist nicht übertragbar und kann auf keinen Fall von einem unserer Vertreter verlängert werden.

Der Gasgrill muss von einem lizenzierten, autorisierten Servicetechniker oder Vertragspartner installiert werden. Die Installation muss gemäß den mitgelieferten Installationsanweisungen sowie sämtlichen regionalen und nationalen Bau- und Brandschutzvorschriften erfolgen.

Diese beschränkte Garantie umfasst keine Schäden, die durch unsachgemäße Bedienung, mangelhafte Wartung, Fettbrand, Umwelteinflüsse, Unfälle, Modifikationen, missbräuchliche Verwendung oder Nachlässigkeit verursacht werden. Im Falle der Installation von Ersatzteilen anderer Hersteller erlischt die vorliegende Garantie. Verfärbungen von Plastikteilen durch den Einsatz von chemischen Reinigungsmitteln oder die Einwirkung von Sonnenlicht sind in dieser Garantie nicht abgedeckt.

Von dieser Garantie sind ferner ausgenommen: Kratzer, Dellen, Lackschäden, Beschichtungen, Korrosion oder Verfärbungen durch Hitzeeinwirkung oder scheuernde und chemische Reinigungsmittel sowie Absplitterungen auf porzellanbeschichteten Teilen und Komponenten, die bei der Installation des Gasgrills verwendet werden.

Sollte sich der Zustand eines Teils innerhalb der Garantiefrist so sehr verschlechtern (Durchrosten oder Durchbrennen), dass es nicht mehr funktionstüchtig ist, wird dem Kunden ein Ersatzteil zur Verfügung gestellt.

Nach dem ersten Jahr ist NAPOLEON gemäß der vorliegenden President's Limited Lifetime Warranty befugt, sich nach eigenem Ermessen von sämtlichen Garantieverpflichtungen zu entbinden, indem sie dem Erstkäufer den Großhandelspreis eines mangelhaften Garantieteils rückerstattet.

NAPOLEON übernimmt keine Verantwortung für Installations-, Arbeits- oder andere Kosten bzw. Ausgaben, die im Zusammenhang mit der Neuinstallation eines Garantieteils entstehen. Diese Kosten sind von der vorliegenden Garantie ausgenommen.

Ungeachtet der in dieser der President's Limited Lifetime Warranty enthaltenen Bestimmungen entspricht die Haftung von NAPOLEON gemäß dieser Garantie dem oben Dargelegten und erstreckt sich in keinem Fall auf etwaige Neben-, Folge- oder indirekte Schäden.

Die vorliegende Garantie definiert die Verpflichtung und Haftung von NAPOLEON im Hinblick auf den NAPOLEON-Gasgrill. Sonstige ausdrückliche oder implizierte Gewährleistungen hinsichtlich dieses Produkts, seiner Komponenten oder Zubehörteile sind ausgeschlossen.

NAPOLEON übernimmt im Zusammenhang mit dem Verkauf dieses Produkts keine weiteren Haftungen und befugt auch Dritte nicht dazu, in ihrem Namen weitere Haftungen zu übernehmen.

NAPOLEON übernimmt keine Verantwortung für: Überhitzung, Ausblasen durch Umwelteinflüsse wie starke Winde oder inadäquate Belüftung.

Etwaige Schäden am Gasgrill durch Wettereinflüsse, Hagel, grobe Behandlung, aggressive Chemikalien oder Reinigungsmittel liegen nicht in der Verantwortung von NAPOLEON.

Im Falle eines Garantieanspruchs ist der Kaufbeleg oder eine Kopie davon unter Angabe der Serien- und Modellnummer vorzulegen.

NAPOLEON behält sich das Recht vor, vor Erfüllung der Garantiepflicht das Produkt oder ein Teil davon von einem ihrer Vertreter begutachten zu lassen.

NAPOLEON übernimmt keine Transport- und Arbeitskosten oder Ausfuhrzölle.



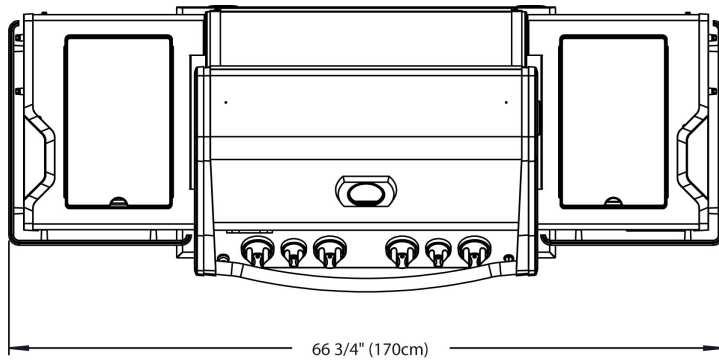
ACHTUNG! Ein Nichtbefolgen dieser Anleitung kann durch Brände oder Explosionen zu Sachschäden und Körperverletzungen, auch zu tödlichen, führen.

Vorsichtsmassnahmen

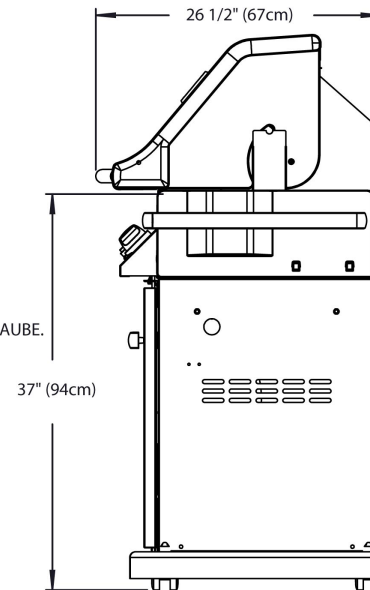
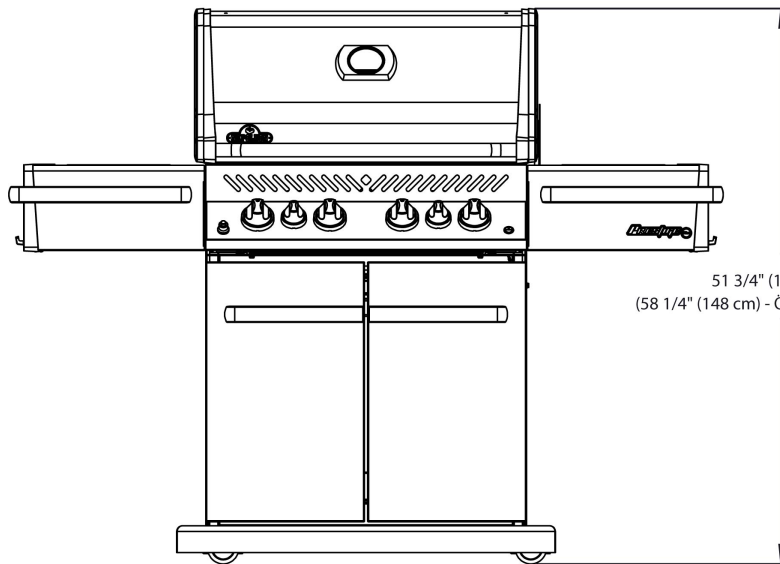
- Bei der Montage dieses Gasgrills müssen die Anweisungen im Handbuch genau befolgt werden. Falls der Grill vollständig montiert aufbewahrt wurde, müssen die Montageanweisungen erneut überprüft und die erforderlichen Prüfungen auf Gaslecks durchgeführt werden, bevor der Grill in Betrieb genommen wird.
- Vor dem ersten Gebrauch des Gasgrills die gesamte Anleitung lesen.
- Auf keinen Fall darf dieser Gasgrill modifiziert werden.
- Grill stets genau nach Anleitung zünden.
- Wenn der Gasgrill nicht benutzt wird, muss die Gaszufuhr an der Gasflasche oder die Erdgasleitung abgesperrt werden.
- Kinder und Haustiere vom heißen Grill fernhalten, Kinder NICHT in den Unterschrank klettern lassen.
- Kinder vom Grill fernhalten oder beaufsichtigen - dieses Gerät ist kein Spielzeug!
- Dieses Gerät ist für den Gebrauch durch Personen (einschließlich Kindern) mit eingeschränkten physischen, sensorischen oder psychischen Fähigkeiten bzw. ohne jegliche Erfahrung oder Vorwissen nur dann geeignet, wenn eine angemessene Aufsicht oder ausführliche Anleitung zur Benutzung des Geräts durch eine verantwortliche Person sichergestellt ist.
- Den Grill niemals unbeaufsichtigt lassen, wenn er in Betrieb ist.
- Den Grill nicht bewegen, solange er heiß oder in Betrieb ist.
- Dieser Grill ist nur für den Privatgebrauch bestimmt.
- Dieser Gasgrill ist nicht zum Einbau in Wohnwagen/Wohnmobilen und/oder Booten vorgesehen.
- Diesen Gasgrill nur im Freien an einer gut belüfteten Stelle lagern. Niemals in einem Gebäude, einer Garage oder einem geschlossenen Bereich/Raum benutzen.
- Ausreichenden Abstand zu brennbaren Materialien einhalten (610mm zur Geräterückseite, 178 mm zu den Seitenteilen). Zusätzlicher Abstand ist empfehlenswert, wenn das Gerät in der Nähe von Vinyl-Verkleidungen oder großen Fensterscheiben aufgestellt wird.
- Stellen Sie sicher, dass die Lüftungslöcher des Zylinders stets frei von Schmutz und Ablagerungen sind.
- Gerät niemals unter einer ungeschützten brennbaren baulichen Struktur aufstellen.
- Gerät nur an einem windgeschützten Ort aufstellen. Die Kochleistung des Gasgrills wird durch starke Windeinwirkung beeinträchtigt.
- Falls der Gasgrill im Innenbereich gelagert wird, muss die Propangasflasche vom Grill entfernt und im Freien an einer gut belüfteten Stelle aufbewahrt werden. Propangasflaschen dürfen nicht in Gebäuden, Garagen oder anderen geschlossenen Räumen gelagert werden.
- Vor jeder Benutzung muss der Gasschlauch untersucht werden. Wenn der Schlauch stark abgerieben oder eingeschnitten ist, muss er vor Benutzung des Gasgrills mit einem vom Hersteller empfohlenen Schlauch ersetzt werden.
- Ersatz-Propangasflaschen niemals unter oder in der Nähe des Grills aufbewahren.
- Die Gasflasche niemals mehr bis als 80 % füllen.
- Stellen Sie beim Auswechseln der Gasflasche sicher, dass sich keine Zündquellen in der Nähe befinden. Rauchen verboten.
- Vor der ersten Inbetriebnahme alle Anschlüsse auf Gaslecks prüfen, auch wenn der Grill vollständig montiert geliefert wurde. Führen Sie diesen Test jährlich oder nach dem Austausch einer Gaskomponente aus.
- Niemals ein für den Gebrauch mit flüssigem Propangas ausgelegtes Gerät mit Erdgas betreiben.
- Niemals flüssige Grillanzünder zum Anzünden eines Gasgrills verwenden.
- Holzkohlenbriketts nur mit einer für dieses Gerät vorgesehenen Napoleon-Holzkohlenwanne verwenden.
- Vor Öffnen der Gaszufuhr kontrollieren, dass die Brenner-Bedienelemente auf der Position „OFF“ (Aus) stehen.
- Brenner Niemals bei geschlossener Grillhaube zünden.
- Rückseitigen Brenner nicht verwenden, wenn der Hauptbrenner in Betrieb ist.
- Grillhaube während der Vorwärmzeit geschlossen halten.
- Den Schlauch nicht unter der Auffangschale durchführen – stets ausreichenden Abstand des Schlauches zum Geräteboden einhalten.
- Fett-Auffangbehälter und Glühplatten regelmäßig reinigen, um Fettansammlungen zu vermeiden, die zu Fettbränden führen können.
- Vor dem Anzünden des hinteren Brenners den Warmhalterost entfernen. Der Warmhalterost kann durch die extreme Hitze beschädigt werden.
- Korrekte Position der Glühplatten kontrollieren. Folgen Sie hierzu den Installationsanweisungen für die Glühplatten.
- Die Seitenablagen nicht für die Aufbewahrung von Feuerzeugen, Streichhölzern oder anderen brennbaren Materialien verwenden.
- Gasleitung von allen Oberflächen fernhalten, die heiß werden können.
- Elektrische Kabel von Wasser oder heißen Oberflächen fernhalten.
- Venturirohdüsen der Infrarotbrenner periodisch auf Spinnweben und Verstopfungen durch andere Objekte überprüfen.
- Die Rohrdüsen vollständig reinigen, um alle Verstopfungen zu entfernen.
- Der Außen-Gasgrill und das entsprechende Sperrventil müssen von Gaszufuhrsystem getrennt werden, wenn das Gassystem aus Gasdrücke von über 0,5 psi (3,5 kPa) geprüft wird.
- Der Gasgrill für den Gebrauch im Freien und das entsprechende Sperrventil müssen vom Gaszufuhr und den Verbindungsrohren getrennt werden, wenn das Gassystem aus Gasdrücke von über 0,5 psi (3,5 kPa) geprüft wird.

ABMESSUNGEN

DE



PRO500 GRILL
 GRILL DIMENSION: 500 SQ.IN (3205 sq.cm)
 WARMHALTEROST DIMENSION: 260 SQ.IN (1625 sq.cm)
 DIMENSIONS UNGEFÄHRE





Entsorgung von Altgeräten aus privaten Haushalten in der EU

Dieses Symbol auf dem Produkt oder dessen Verpackung gibt an, dass das Produkt innerhalb der EU nicht zusammen mit dem Restmüll entsorgt werden darf. Die separate Sammlung und das Recyceln Ihrer alten Elektrogeräte zum Zeitpunkt ihrer Entsorgung trägt zum Schutz der Umwelt bei und gewährleistet, dass sie auf eine Art und Weise recycelt werden, die keine Gefährdung für die Gesundheit des Menschen und der Umwelt darstellt. Es obliegt daher Ihrer Verantwortung, das Gerät an einer entsprechenden Rücknahmestelle für die Entsorgung oder Wiederverwertung von Elektro- oder Elektronik-Altgeräten aller Art abzugeben oder wenden Sie sich an den Händler, von dem das Produkt erworben wurde. Gemäß den lokalen Bestimmungen gewährleisten diese Stellen, dass das Gerät auf eine Art und Weise recycelt wird, die keine Gefährdung für die Umwelt darstellt.

Gasflaschen

Es dürfen nur Gasflaschen benutzt werden, die die einschlägigen gesetzlichen Bestimmungen erfüllen. Die Mindestflaschengröße bei Butan ist 13 kg, bei Propan 6 kg. Die Flasche muss eine für den Betrieb ausreichende Gasmenge liefern können. Im Zweifelsfall wird der Gaslieferant mit Informationen helfen.

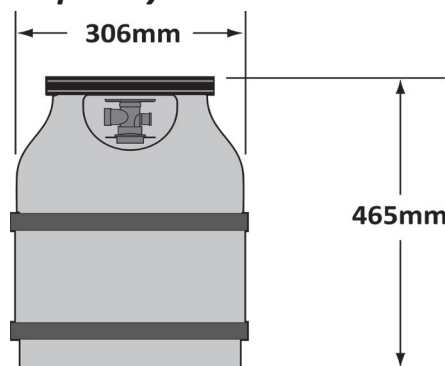
- Das Ventil der Gasflasche ist vorsichtig zu behandeln.
- Eine Flasche, die die gesetzlichen Bestimmungen nicht erfüllt, darf nicht angeschlossen werden.
- Eine mehr als 7 kg (maximale Größe 465mm hoch durch ausgedehnte 306mm) fassende Flasche muss außerhalb der Einfassung (unter der rechten Seitenablage) auf ebenem Boden stehen. Kleinere Flaschen können innerhalb der Einfassung in der Aussparung im unteren Regal stehen. Nur angeschlossene Gasflaschen dürfen in der Einfassung oder nahe am Gerät stehen. Reserveflaschen dürfen nicht in der Nähe eines betriebenen Geräts gelagert werden. Gasflaschen dürfen weder großer Hitze noch dem direkten Sonnenlicht ausgesetzt werden.



ACHTUNG! Der Schlauch muss den vorgeschriebenen Abstand zum Boden des Geräts haben. Wenn der Schlauch heiße Flächen berührt, kann er schmelzen und undicht werden und einen Brand verursachen.

FLASCHENANSCHLUSS: Es ist sicherzustellen, dass der Gasreglerschlauch knickfrei ist. Kappe oder Stöpsel vom Flaschenventil entfernen. Regler an das Flaschenventil anschließen. Vor der Benutzung des Grills alle Verbindungen auf Leckagen überprüfen. Ein Leckagetest muss jährlich, nach jedem Anschließen einer Flasche und nach Auswechseln eines Gasbauteils durchgeführt werden.

Beispiel Zylinder



Gasschlauch

- Gehören Schlauch und Regler nicht zum Lieferumfang, dürfen nur solche Schläuche und Regler verwendet werden, die die einschlägigen gesetzlichen Bestimmungen erfüllen.
- Gerät nicht an eine permanente Gasversorgung anschließen.
- Der Schlauch darf nicht mit Fett oder sonstigen heißen Flüssigkeiten oder Bauteilen des Geräts in Berührung kommen.
- Schlauch regelmäßig überprüfen. Ein Schlauch, der Risse oder Schmelzstellen aufweist oder abgenutzt ist, muss vor der nächsten Benutzung des Geräts ersetzt werden.
- Es wird eine Schlauchlänge von 0,9 m empfohlen. Der Schlauch darf nicht länger als 1,5 m sein.
- Beim Anschließen ist darauf zu achten, dass der Schlauch knickfrei und nicht verdreht ist.
- Der Schlauch ist vor dem aufgedruckten Ablaufdatum auszuwechseln.



ACHTUNG!

- Schlauch nicht unterhalb der Auffangschale verlegen.
- Schlauch nicht im Zwischenraum zwischen dem unteren Regal und der hinteren Abdeckung verlegen.
- Schlauch nicht über die Oberseite der hinteren Abdeckung verlegen.
- Alle Schlauchanschlüsse mit zwei Rohrschlüsseln fest anziehen. Kein Teflon-Abdichtungsband oder Dichtungskitt für die Rohrverbindungen verwenden.
- Den Schlauch von heißen Oberflächen fernhalten. Schmelzen des Schlauchs kann zu Bränden führen.
- Ersatzschläuche nicht im Unterschrank des Grills aufbewahren, da hier größere Gefahr besteht, dass der Schlauch mit einer heißen Oberfläche in Kontakt kommen, schmelzen und zu einem Gasleck und Bränden führen kann.
- Alle Verbindungen mit Seifenlauge auf Gaslecks überprüfen. Folgen Sie den Anweisungen für die Suche nach Gaslecks in diesem Handbuch.

Regler

In der folgenden Tabelle sind die Anschlusswerte des Geräts aufgeführt.

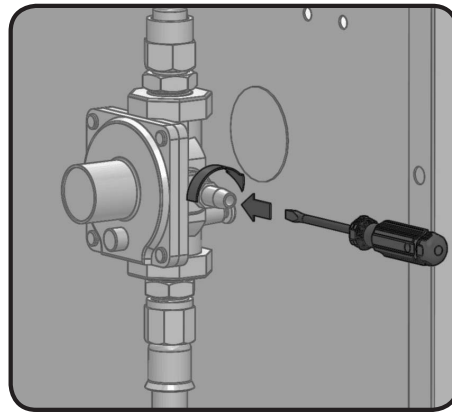
Brenner	Düsengrösse		(Grob)Leistung (Insgesamt)		Gasverbrauch (Insgesamt)	
	I	II	I	II	I	II
Haupt	#60	1.45mm	16.0 kW	14.0 kW	1164 g/hr	1332 L/hr
Hinten	1.25mm	#50	5.7 kW	5.0 kW	415 g/hr	476 L/hr
Seite (Infrarot)	#60	1.45mm	4.0 kW	3.5 kW	291 g/hr	333 L/hr
Seite (Flamme)	#60	1.45mm	4.0 kW	3.5 kW	291 g/hr	333 L/hr

Zugelassene Gase / Druck - Die Werte Ihres Geräts stehen auf dem Typenschild.

Gaskategorie	¹ 3B/P(30)	¹ 3+(28-30/37)	¹ 3B/P(37)	¹ 3B/P(50)	¹ 2H	¹ 2E	¹ 2E+	¹ 2L
Düsengröße (siehe oben)	I	I	I	I	II	II	II	II
Gasdruck	Butan und Propane bei 30mbar	Butan 28-30mbar Propane 37mbar	Butan und Propane bei 37mbar	Butan und Propane bei 50mbar	G20 bei 20mbar	G20 bei 20/25 mbar	G20/G25 bei 20/25 mbar	G25 bei 25mbar
Länder	BE, BG, CY, DK, EE, FI, FR, GB, HR, HU, IS, IT, LT, LU, MT, NL, NO, RO, SE, SI, SK, TR	BE, CH, CY, CZ, ES, FR, GB, GR, IE, IT, LT, LU, LV, PT, SK, SI	PL	AT, CH, DE, SK	AT, BG, CH, CZ, DK, EE, ES, FI, GB, GR, HR, HU, IE, IS, IT, LV, LT, NO, PT, RO, SE, SI, SK, TR	DE, LU, PL	BE,FR	NL

Nehmen Sie keinerlei Änderungen am Druckregler vor. Nur Druckregler verwenden, die den in der vorstehenden Tabelle angegebenen Druck bereitstellen. Der Grill ist mit einem internen Druckregler ausgestattet. Der interne Druckregler hat einen Auslassdruck von 24,5 mbar für Propan-/Butangas und 18,5 mbar für Erdgas und erfordert keine Modifizierung oder Anpassung. Ersetzen Sie den Druckregler nur mit vom Hersteller vorgegebenen Modellen.

Diese Einheit ist mit einem internen Druckregler ausgestattet, der den Gasdruck stabilisiert und die Grillleistung verbessert. Dieser Druckregler ist nicht anpassbar. An der Seite des Druckreglers befindet sich ein Druckhahn. Dieser kann von einem entsprechend ausgebildeten Kundendiensttechniker dazu verwendet werden, die Funktion des Druckreglers zu überprüfen. Die Schraube mit dem Druckhahn muss stets fest angezogen sein, außer bei der Durchführung eines Drucktests am Druckregler (nur durch entsprechend geschulten Servicetechniker).



DE

Anleitung Für Die Leckageprüfung



ACHTUNG! Ein Leckagetest muss vor der ersten Benutzung, jährlich und nach Auswechseln oder Warten eines Gasbauteils durchgeführt werden.



ACHTUNG! Während der Prüfung ist Rauchen verboten. Alle Zündquellen sind zu entfernen.



Leckageprüfung: Ein Leckagetest muss vor der ersten Benutzung, jährlich und nach Auswechseln oder Warten eines Gasbauteils durchgeführt werden. Während der Prüfung ist Rauchen verboten. Alle Zündquellen sind zu entfernen. Die zu prüfenden Stellen sind auf der *Leckageprüfzeichnung* aufgeführt.

Alle Brenner abstellen. Flaschenventil aufdrehen.



Seifenwasser (halb Wasser, halb Flüssigseife) auf alle Anschlüsse und Verbindungen an Regler, Schlauch, Verteiler und Ventile auftragen.

Leckagen werden durch Blasenbildung angezeigt. Leckage durch Festdrehen des Anschlusses oder Austausch des Teils durch ein vom Händler empfohlenes Teil beseitigen.

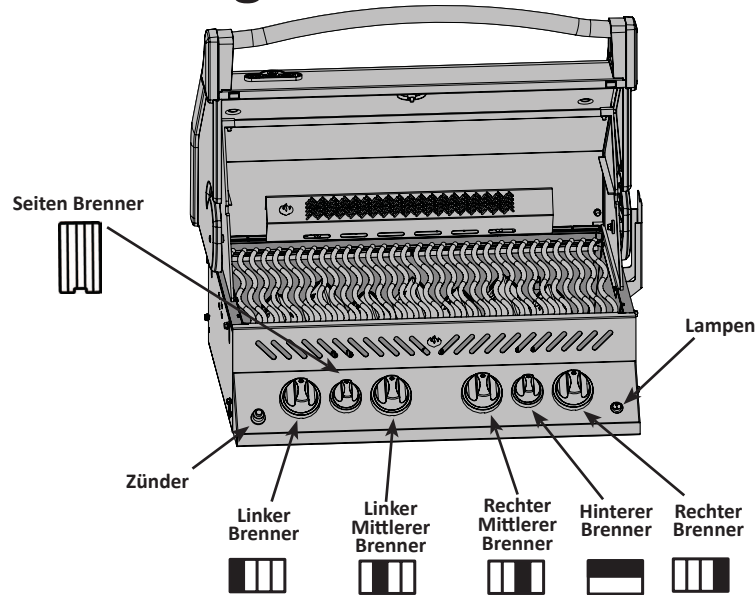


Bleibt die Leckage bestehen, Flaschenventil zudrehen, Regler abnehmen und Grill vom Gaslieferanten oder Händler untersuchen lassen. Das Gerät darf erst wieder benutzt werden, wenn die Leckage behoben ist.

Gaszufuhr abstellen.

Zündanleitung

DE



ACHTUNG! Haube öffnen.

Ausschaltstellung



ACHTUNG! Stellen Sie sicher, dass alle Brenner-Bedienelemente auf „OFF“ (Aus) gestellt sind, und öffnen Sie das Gasventil an der Gasquelle.

Anzünden des Hauptbrenners	Anzünden des rückseitigen Brenners (Rotisseriebrenner)	Anzünden der Seitenbrenner (Falls vorhanden)
1. Haube öffnen.	1. Haube öffnen.	1. Haube des Seitenbrenners öffnen.
2. Beliebiges Hauptbrenner-Bedienelement drücken und langsam auf Stufe „HI“ (Hohe Flamme) drehen. Hierdurch wird die Pilotflamme gezündet, welche wiederum den ausgewählten Brenner entzündet. Nach Zünden der Pilotflamme das Bedienelement weiterhin gedrückt halten, bis der Brenner entzündet ist. Lassen Sie das Bedienelement los, wenn das Gas brennt.	2. Warmhalterost abnehmen.	2. Seitenbrenner-Bedienelement drücken und langsam auf Stufe „HI“ (Hohe Flamme) drehen.
3. Wenn der Pilot nicht zündet, das Bedienelement SOFORT wieder auf „OFF“ (Aus) stellen und Schritt 2 mehrmals wiederholen.	3. Rückseitigen -Bedienelement drücken und langsam auf Stufe „HI“ (Hohe Flamme) drehen.	3. Zündknopf drücken und gedrückt halten, bis Brenner zündet; oder mit Streichholz anzünden
4. Falls Pilot und Brenner nicht innerhalb von 5 SEKUNDEN zünden, das Bedienelement auf „OFF“ stellen und 5 Minuten warten, damit sich unverbranntes Gas verflüchtigen kann. Danach die Schritte 2 und 3 wiederholen oder den Brenner mit einem Streichholz entzünden.	4. Zündknopf drücken und gedrückt halten, bis Brenner zündet; oder mit Streichholz anzünden	4. Falls der Brenner nicht innerhalb von 5 SEKUNDEN zündet, das Bedienelement auf „OFF“ stellen und 5 Minuten warten, damit sich unverbranntes Gas verflüchtigen kann. Danach die Schritte 2 und 3 wiederholen oder den Brenner mit einem Streichholz entzünden.
5. Falls der Grill mit einem Streichholz angezündet wird, klemmen Sie das Streichholz in den mitgelieferten Streichholzhalter ein. Das brennende Streichholz nach unten halten, durch den Grill und die Glühplatte führen und dabei das entsprechende Brennerventil auf hohe Flamme drehen.	5. Falls der Brenner nicht innerhalb von 5 SEKUNDEN zündet, das Bedienelement auf „OFF“ stellen und 5 Minuten warten, damit sich unverbranntes Gas verflüchtigen kann. Danach die Schritte 3 und 4 wiederholen oder den Brenner mit einem Streichholz entzünden.	



ACHTUNG! Der hintere Brenner darf nicht zusammen mit dem Hauptbrenner benutzt werden.

Grillanleitung

Beim allerersten Erhitzen gibt der Gasgrill einen leichten Geruch ab. Der Geruch wird durch das „Einbrennen“ der Innenlacke und Verdunsten der Schmiermittel aus der Fertigung verursacht, ist ganz normal und tritt später nicht mehr auf. Vor der ersten Benutzung sollten Sie darum die Hauptbrenner etwa eine halbe Stunde mit größter Hitze brennen lassen. Vor dem Grillen von magerem Fleisch wie Hähnchenbrust oder mageres Schweinefleisch ist es am besten, die Roste vor dem Vorwärmen zu ölen, damit das Fleisch nicht anklebt. Beim Grillen von sehr fettem Fleisch kann es zum Aufflammen kommen. Um Aufflammen zu verhindern, können Sie Fett abschneiden oder mit niedrigerer Temperatur grillen. Wenn es zum Aufflammen kommt, legen Sie das Fleisch von der Flamme weg zur Seite und stellen die Temperatur herunter. Lassen Sie die Haube offen. Eine detaillierte Anleitung finden Sie in Napoleons Grill-Kochbuch.

Stellen Sie den Grill nicht an einem windigen Standort auf. Starker Wind beeinträchtigt die Leistung des Gasgrills.

Bei extremem Wind gegen die Rückseite des Grills kann Hitze über das Bedienungspanel entweichen. Dies kann die Bedienelemente stark erhitzen (Vorsicht bei Berührung) und zu deren Verformung führen.

Napoleon bietet optional die unten abgebildeten Wind-Abweiser an. Montieren Sie diese, um entsprechendes Erhitzen zu vermeiden.

HINWEIS! Napoleon übernimmt keine Haftung für zu starkes Befeuern oder Hitzeausstöße aufgrund von Umwelteinflüssen wie starkem Wind oder unsachgemäßer Belüftung.

FIG .1

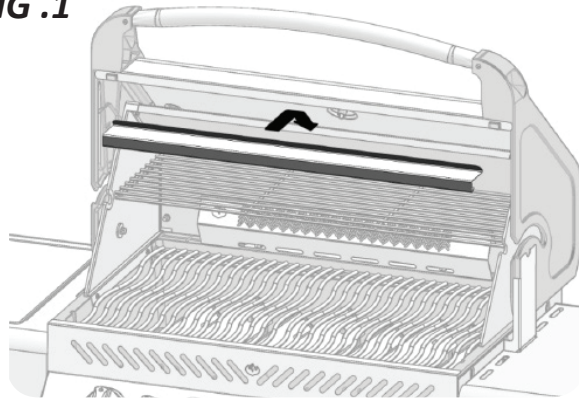


FIG .2

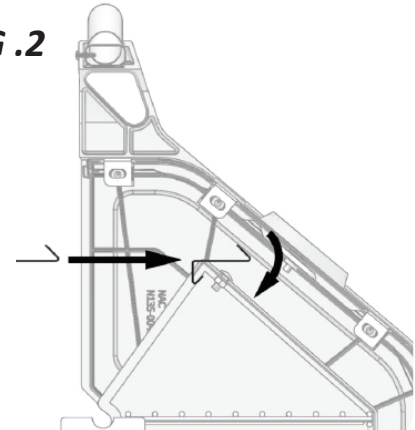
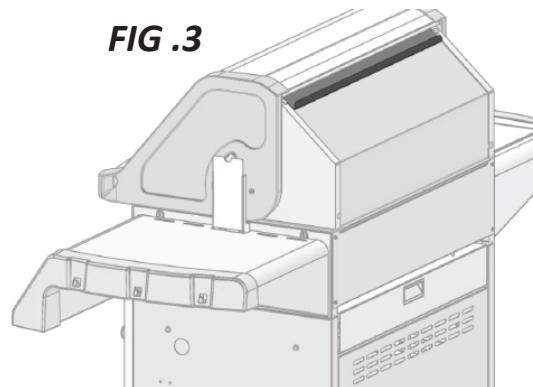


FIG .3



Grillen Mit Den Hauptbrennern: Vor dem Anbraten von Grillgut wird 10 Minuten Vorwärmen empfohlen. Dafür werden alle Hauptbrenner auf die höchste Stufe gestellt und die Haube geschlossen. Kurz zu grillende Nahrungsmittel wie Fisch und Gemüse können bei offener Haube gegrillt werden. Beim Grillen bei geschlossener Haube ist die Temperatur gleichmäßiger und höher, sodass die Grillzeit kürzer ist und das Fleisch gleichmäßiger gegrillt wird. Benötigt ein Grillgut länger als 30 Minuten, wie z. B. ein Braten, so kann es indirekt gekocht werden (Braten neben den gezündeten Brenner stellen). Vor dem Grillen von magerem Fleisch wie Hähnchenbrust oder mageres Schweinefleisch ist es am besten, die Roste vor dem Vorwärmen zu ölen, damit das Fleisch nicht anklebt. Beim Grillen von sehr fettem Fleisch kann es zum Aufflammen kommen. Um Aufflammen zu verhindern, können Sie Fett abschneiden oder mit niedrigerer Temperatur grillen. Wenn es zum Aufflammen kommt, legen Sie das Fleisch von der Flamme weg zur Seite und stellen die Temperatur herunter. Lassen Sie die Haube offen. Eine detaillierte Anleitung finden Sie in Napoleons Grill-Kochbuch.



Grillen Mit Den Infrarot-Hauptbrennern: Infrarotbrenner gemäß der Zündanleitung zünden und 5 Minuten oder bis die Keramikbrenner rot glühen bei geschlossener Haube auf höchster Stufe brennen lassen. Grillgut auf den Grill legen und solange braten, wie es in der Infrarot-Grilltabelle aufgeführt ist.

Je nach Geschmack können Sie entweder auf dem Infrarotbrenner auf höchster, mittlerer oder niedriger Stufe weitergrillen und das Grillgut öfter wenden, oder Sie legen es neben den Infrarotbrenner, schließen die Haube und lassen es wie im Bratofen fertig garen.

VORSICHT! Wegen der großen Hitze der Infrarotbrenner brennt das Grillgut schnell an! Darum sollte die Haube offen sein, wenn mit den Infrarotbrennern in höchster Stufe gegrillt wird. Durch die große Hitze ist auch bei offener Haube eine ausreichende Anbrattemperatur gewährleistet. Außerdem kann man das Grillen besser überwachen und ein Anbrennen verhindern.

Direktes Garen: Grillgut direkt über der Wärmequelle auf den Grill legen. Diese Methode wird üblicherweise zum Braten von Speisen verwendet, die keine langen Kochzeiten erfordern - Hamburger, Steaks, Geflügelstücke, Gemüse usw. Das Grillgut wird zunächst scharf angebraten, um Säfte und Aromen im Grillgut „einzusiegeln“. Anschließend wird die Temperatur verringert, um das Gericht punktgenau fertig zu garen.

Indirektes Garen: Hierbei kann nur einer oder auch mehrere Brenner verwendet werden. Grillgut über einem nicht gezündeten Brenner auf den Grill legen. Die Wärme zirkuliert um das Grillgut und sorgt so für langsames und gleichmäßiges Garen. Diese Kochmethode ist vergleichbar mit dem Garen im Backofen und wird üblicherweise für größere Fleischstücke wie Braten, ganze Hähnchen oder Pute verwendet. Sie eignet sich aber auch für die Zubereitung von Grillgut, das leicht zum Aufflammen führen kann. Aufgrund der niedrigeren Temperaturen und längeren Kochzeiten ist dies die zuverlässigste Garmethode zum Grillen zarter und saftiger Fleischstücke.

Verwendung Des Rückseitigen Brenners: (Falls vorhanden) Warmhalterost vor dem Betrieb entfernen, die extreme Hitze schadet dem Warmhalterost. Grillroste sollten ebenfalls entfernt werden, falls sie die Verwendung des rehspeises behindern. Der rückseitige Brenner ist für den Einsatz mit dem Drehspieß-Set konzipiert, das über Ihren Napoleon-Händler bezogen werden kann. Siehe Anweisungen für die Montage des Drehspieß-Sets. Zur Verwendung des Gegengewichts den Drehspießmotor vom Gasgrill entfernen. Den Spieß mit dem Grillgut in die beiden Einhängevorrichtungen an der Innenseite des Grills einlegen. Das Fleischstück wird naturgemäß mit der schwereren Seite nach unten hängen. Arm und Gewicht des Gegengewichts anziehen, bis der Arm nach oben zeigt. Das Gegengewicht nach innen oder außen verschieben, bis das Gewicht auf dem Spieß gleichmäßig verteilt ist und dann festdrehen. Den Motor wieder aufsetzen und mit dem Grillen beginnen. Einen Auffangbehälter unter dem Grillgut platzieren. Der aufgefangene Bratensaft kann zum Bepinseln des Fleisches oder zur Herstellung einer köstlichen Soße verwendet werden. Falls nötig, zusätzliche Flüssigkeit zum Übergießen oder Bepinseln zufügen. Rückseitigen Brenner zunächst auf hoher Flamme betreiben, bis das Fleisch angebräunt ist und dann die Flamme reduzieren, um das Fleisch fertig zu garen. Auf diese Art wird das Grillgut versiegelt und das Fleisch bleibt zart und saftig. Die Grillhaube stets geschlossen halten, um ein optimales Kochergebnis zu erzielen. Braten und Geflügel erhalten eine knusprigbraune Kruste und das Fleisch bleibt zart und saftig. Beispielsweise benötigt ein Brathuhn mit einem Gewicht von 1,5 kg mit dem Drehspieß ca. 1½ Stunden (bei mittlerer bis hoher Flamme). Weitere Anweisungen finden Sie im Napoleon-Grillkochbuch mit exklusiven Rezepten für alle Gelegenheiten.



VORSICHT! Barbecuesoße und Salz kann korrosiv wirken und schnell zur Korrosion des Grills und einzelner Bauteile führen, wenn keine regelmäßige Reinigung durchgeführt wird.

Verwendung des Infrarot-Seitenbrenners: Der Gasgrill sollte so positioniert werden, dass der Seitenbrenner möglichst windgeschützt ist, da starke Winde die Leistung des Seitenbrenners beeinträchtigen können. Der empfohlene Durchmesser für Pfannen und Töpfe ist 20 bis 25 cm.

Der Seitenbrenner ist mit einem Grillrost, welches auf zwei Höhen einsetzbar ist. Die niedrigere Position kann wie ein normales Gaskochfeld verwendet werden und eignet sich zur Zubereitung von Soßen, Suppen usw. Die höhere Position eignet sich zum Braten von Fleisch. (Siehe Anweisungen unter der Haube des Seitenbrenners.)



ACHTUNG! Seitenbrenner nicht schließen, solange der Grill in Betrieb oder noch heiß ist.

ACHTUNG! Den Grillrost nicht verstellen, solange er heiß oder in Betrieb ist.

ACHTUNG! Seitenbrenner NICHT zum Frittieren verwenden, da das Kochen mit Öl zu gefährlichen Bedingungen führen kann.

1. Folgen Sie den Anweisungen für das Anzünden des Infrarotbrenners und betreiben Sie den Grill bei offener Haube für 5 Minuten oder bis die Keramik-Brenner rot glühen.
2. Fleisch oder anderes Grillgut auf den Grill legen und gemäß den in der Tabelle für das Infrarotgrillen angegebenen Zeiten grillen.
3. Nach Geschmack auf hoher, mittlerer oder niedriger Temperatur über dem Infrarotbrenner weitergrillen und die Speisen oft wenden oder Speisen vom Infrarotbrenner wegschieben, Haube schließen und auf Ofentemperatur langsam fertig garen.



ACHTUNG! Die Infrarotbrenner erzeugen eine sehr intensive Hitze - Grillgut nicht unbeaufsichtigt auf dem Brenner lassen, da es schnell anbrennen kann. Bei Verwendung der Infrarotbrenner auf hoher Flamme die Haube offen lassen. Die intensive Hitze sorgt für ausreichende Brattemperaturen auch bei geöffneter Haube. Dies erlaubt auch das bessere Überwachen des Grillguts, um Anbrennen zu vermeiden.

DE

Schutz der Infrarotbrenner: Die Infrarotbrenner des Napoleon-Grills sind für eine lange Lebensdauer ausgelegt. Es sind jedoch einige Maßnahmen erforderlich, um Risse in den keramischen Brennoberflächen zu vermeiden, die zu Brennerfehlfunktionen führen können.

- Die Keramik-Brenner dürfen niemals direkt mit Wasser in Berührung kommen.
- Die Keramik-Brenner niemals mit harten Gegenständen in Kontakt bringen oder berühren.
- Kaltes Wasser (Regen, Rasensprenger, Gartenschlauch usw.) von den Keramik-Brennern fernhalten. Große Temperaturunterschiede können zu Rissen in der keramischen Oberfläche führen.

Schäden, die aufgrund der Nichtbefolgung dieser Maßnahmen entstehen, unterliegen nicht der Garantieflicht von Napoleon.

Infrarotwärme

Die meisten Menschen wissen nicht, dass unsere natürliche Wärmequelle, die Sonne, die Erde hauptsächlich mit Infrarotenergie wärmt. Infrarotenergie ist eine Form der elektromagnetischen Energie mit einer etwas größeren Wellenlänge als die Farbe Rot des Lichtspektrums, aber einer etwas geringeren als die der Radiowellen. Diese Energie wurde 1800 von Sir William Herschel entdeckt, der das Sonnenlicht mit Hilfe eines Prismas in seine Bestandteile zerlegte. Er wies nach, dass die meiste Wärme des Sonnenlichts im Bereich neben dem roten Ende des Spektrums, wo das Licht nicht mehr sichtbar ist, zu finden ist. Dies ist der Bereich der Infrarotenergie. Die meisten Materialien absorbieren Infrarotstrahlung in einem breiten Wellenlängenbereich und werden dadurch erwärmt. Ebenso fühlen wir Wärme auf der Haut, wenn wir uns dem Sonnenlicht aussetzen. Die Infrarotstrahlung der Sonne wandert durch das Vakuum des Weltraums und die Atmosphäre und dringt in unsere Haut ein. Die Bewegung der Moleküle der Haut wird verstärkt, was zu stärkerer interner Reibung führt und Wärme erzeugt, die wir fühlen können.

Nahrungsmittel können genauso mit Infrarotstrahlung erhitzt werden. Dabei ist Holzkohle die herkömmliche Art des Infrarotkochens, mit der wir alle vertraut sind. Die glühenden Kohlen geben Infrarotenergie an das Grillgut ab, wobei der Trocknungseffekt sehr gering ist. Bratensaft und Öle, die dem Grillgut entweichen, tropfen hinunter in die Holzkohle, sodass ein Rauch aufsteigt, der dem Grillgut den herrlichen Grillgeschmack verleiht. Die Infrarotbrenner der Napoleon-Grills funktionieren genauso. Jeder der Brenner hat 10.000 Löcher. Aus jedem Loch tritt eine Flamme aus, die die Keramikoberfläche zur Rotglut bringen. Die glühende Oberfläche strahlt Infrarotwärme auf das Grillgut ab, ohne dass man sich mit Holzkohle herumschlagen muss. Außerdem ist die Wärme gleichmäßig über die ganze Fläche verteilt und einfacher zu regeln als ein Holzkohlefeuer. Zum schnellen Anbraten können die Brenner ganz aufgedreht und zum langsamen Kochen heruntergestellt werden. Wie schwierig das bei einem Holzkohlefeuer ist, wissen wir alle. Normale Gasbrenner erhitzen das Grillgut auf andere Weise. Die Luft um den Brenner herum wird durch den Verbrennungsprozess erhitzt und steigt zum Grillgut auf, das dann gebraten wird. Die Grilltemperatur ist geringer, was für Meeresfrüchte und Gemüse ideal ist. Kurz gesagt: Napoleons Infrarotbrenner erzeugen eine Anbrathitze, die zu saftigeren, geschmackvolleren Steaks, Hamburgern und sonstigen Fleischgerichten führt. Grillzeiten und Grilltipps finden Sie in der Infrarot-Grilltabelle.

Infrarot-Grilltabelle

DE

Grillgut	Brennerstufe	Grillzeit	Empfehlungen
Steak, 2,5 cm dick	2 Min. pro Seite auf höchster Stufe 2 Min. pro Seite auf höchster Stufe, dann mittlere Stufe 2 Min. pro Seite auf höchster Stufe, dann mittlere Stufe	Englisch: 4 Min. Medium: 6 Min. Durch: 8 Min.	Durchwachsenes Fleisch eignet sich am besten zum Grillen. Das Fett macht das Fleisch zart und saftig.
Hamburger, 1,27 cm dick	2 Min. pro Seite auf höchster Stufe 2,5 Min. pro Seite auf höchster Stufe 3 Min. pro Seite auf höchster Stufe	Englisch: 4 Min. Medium: 5 Min. Durch: 6 Min.	Wieweit der Hamburger durch sein soll, kann man auch durch seine Dicke bestimmen. Hickoryspäne im Räucherkasten des Napoleon-Grills gibt dem Fleisch einen exotischen Geschmack.
Hähnchenstü cke	2 Min. pro Seite auf höchster Stufe, dann mittlere bis unterste Stufe	20-25 Min.	Gelenk zwischen Ober- und Unterschenkel auf der hautlosen Seite $\frac{3}{4}$ durchschneiden, damit das Fleisch flach auf dem Grill liegt. So wird es schneller und gleichmäßiger gegrillt. Mesquitspäne im Räucherkasten des Napoleon-Grills verleiht dem Fleisch einen ganz besonderen Geschmack.
Schweinekotelett	Mittlere Stufe	6 Min. pro Seite	Vor dem Grillen überschüssiges Fett abschneiden. Dicke Koteletts werden zarter.
Spare Ribs	5 Min. auf höchster Stufe, dann niedrige Stufe zum Garen	20 Min. pro Seite, oft wenden	Magere, fleischige Spareribs sind die besten. Solange grillen, bis das Fleisch sich leicht von den Knochen lösen lässt.
Lammkotelett	5 Min. auf höchster Stufe, dann mittlere Stufe zum Garen	15 Min. pro Seite	Vor dem Grillen überschüssiges Fett abschneiden. Dicke Koteletts werden zarter.
Würstchen	Mittlere bis niedrigste Stufe	4-6 Min.	Dicke Würstchen sind am besten geeignet. Vor dem Grillen der Länge nach aufschlitzen.

Reinigungsanleitung



VORSICHT! Beim Reinigungsanleitung sollten Arbeitshandschuhe und eine Schutzbrille getragen werden.

VORSICHT! Zum Reinigen müssen die Brenner ausgeschaltet sein. Heiße Flächen nicht ungeschützt berühren. Grill an einen Ort stellen, wo das Reinigungsmittel keinen Schaden anrichten kann (nicht auf die Terrasse oder den Rasen). Kein Teil dieses Gasgrills darf mit Ofenreiniger gesäubert werden. Grillroste oder andere Teile des Gasgrills nicht in einem selbstreinigenden Ofen säubern. Gasgrill regelmäßig reinigen, da Barbecue-Sauce und Salz das Metall angreifen.

Hinweis: In chlorid- und sulfidhaltigen Umgebungen kann auch rostfreier Stahl oxidieren oder Flecken aufweisen. Dazu gehören insbesondere Küstenregionen und andere extreme Bedingungen, z. B. die nähere Umgebung von Pools und Whirlpools, die von hoher Wärme und Luftfeuchtigkeit gekennzeichnet ist. Diese Flecken werden manchmal mit Rost verwechselt, aber sie können einfach entfernt und vermieden werden. Reiben Sie alle rostfreien Stahlflächen alle 3 bis 4 Wochen mit Leitungswasser und einem Reinigungsmittel für rostfreien Stahl ab, um die Entstehung von Flecken zu verhindern.

Roste Und Warmhaltefläche : lassen sich am besten beim Vorwärmen des Grills mit einer weichen Messingdrahtbürste säubern. Für schwer zu entfernende Flecke Stahlwolle verwenden. Rostfreistahlroste erhalten bei normalem Betrieb des Grills wegen der hohen Temperatur eine permanente Verfärbung.

Bedienleiste: Die Bedienleistenbeschriftung wird direkt auf die Edelstahloberfläche gedruckt und bei sachgerechter Pflege bleibt der Aufdruck dunkel und lesbar. Zur Reinigung der Bedienleiste warme Seifenlauge oder Edelstahlreiniger verwenden. Edelstahlreiniger ist bei Ihrem Napoleon-Händler erhältlich. Keine scheuernden Reinigungsmittel zur Reinigung von Edelstahlflächen verwenden. Dies kann vor allem auf der Bedienleiste zum Abrieb der aufgedruckten Beschriftung führen.

Infrarotbrenner: Wegen der großen Hitze des Infrarotbrenners verbrennt sofort fast alles, was vom Grillgut herunter auf die Brennerfläche fällt. Es bleiben jedoch möglicherweise Rückstände kleben. Rückstände am besten gleich nach dem Grillen verbrennen, indem der Grill 5-10 Minuten lang auf der höchsten Stufe.

Das Innere Des Gasgrills: Grillroste entfernen. Gusseiserne Seiten und die Innenseite der Haube mit einer weichen Messingdrahtbürste von losem Schmutz befreien. Anbratplatten mit einem Spachtel oder Schaber abkratzen, und die Asche mit einer Drahtbürste beseitigen. Anbratplatten abnehmen, und die Brenner mit einer Messingdrahtbürste reinigen. Den Schmutz aus dem Inneren des Gasgrills in die Tropfpfanne fegen. Anbratplatten wieder einsetzen und auf richtige Positionierung achten (siehe Zusammenbauanleitung).



WARNUNG! Fettansammlungen können zu Bränden führen.

Fett-Auffangbehälter: Der Fett-Auffangbehälter Ihres Grills wurde mit einem Fett-Deflektor geliefert, der durch leichtes Drücken einrastet und so installiert wird. Das häufige Reinigen von Fett-Auffangbehälter, Deflektor und Auffangwanne (alle 4-5 Anwendungen oder so oft wie nötig) verhindert, dass sich Fett ansammelt. Fett und überschüssige Bratflüssigkeit laufen durch den Fett-Auffangbehälter, der sich unterhalb des Gasgrills befindet, und sammeln sich dann in der Einweg-Auffangwanne. Um Zugriff auf die Einweg-Auffangwanne zu erhalten oder um den Fett-Auffangbehälter zu reinigen, ziehen Sie den Fett-Auffangbehälter aus dem Grill. Entfernen Sie den Deflektor aus dem Fett-Auffangbehälter. Fett-Auffangbehälter und Deflektor sollten mit einem Spachtel oder Abzieher sauber geschabt werden. Den Fett-Auffangbehälter nicht mit Alufolie, Sand oder anderen Materialien auslegen, da dies den erwünschten Fettabfluss behindern kann. Setzen Sie nach der Reinigung den Deflektor in den Fett-Auffangbehälter ein und bauen Sie diesen wieder in Ihren Grill ein. Ersetzen Sie die Einweg-Auffangwanne alle 2 – 4 Wochen, je nachdem wie häufig Sie Ihren Gasgrill verwenden. Zubehörteile können über Ihren Napoleon-Gasgrill-Händler bezogen werden.

Reinigen Der Aussenseite Des Gasgrills: Lackierte, Porzellan- oder Rostfreistahlteile nicht mit Scheuermitteln säubern. Die Porzellanemaille ist besonders vorsichtig zu behandeln. Die Emaillebeschichtung ist wie Glas und platzt beim Anschlagen leicht ab. Emaille-Reparaturmaterial ist von Ihrem Napoleon-Händler erhältlich. Außenflächen am besten in handwarmem Zustand mit warmem Seifenwasser reinigen. Rostfreistahl mit einem entsprechenden Reinigungsmittel oder einem nicht scheuernden Reinigungsmittel säubern. Stets in Strukturrichtung wischen. Keine Stahlwolle verwenden, da sie Kratzspuren hinterlässt. Rostfreistahl verfärbt sich unter Hitze goldfarben oder braun. Diese Verfärbung ist normal und beeinträchtigt die Leistung des Grills nicht.

Wartungs Anleitung

Der Gasgrill sollte jährlich von einem zugelassenen Wartungsdienst überprüft und gewartet werden.

Brennbare Materialien, Benzin und andere brennbare Dämpfe und Flüssigkeiten müssen entfernt vom Gasgrill gelagert werden. Luftwege zur Belüftung und zum Brenner nicht blockieren. Lüftungslöcher des Gasflaschenschanks (an den Grillwagenseiten und der Vorder- und Rückseite des unteren Regalbodens) stets frei von Schmutz und Ablagerungen halten.



VORSICHT! Beim Reinigungsanleitung sollten Arbeitshandschuhe und eine Schutzbrille getragen werden.

VORSICHT! Gaszufuhr vor den Wartungsarbeiten abstellen und Gerät von der Gaszufuhr trennen. Grill vor dem Warten abkühlen lassen, damit es nicht zu Verbrennungen kommt. Jährlich und nach Auswechseln eines Gasbauteils eine Leckageprüfung durchführen.

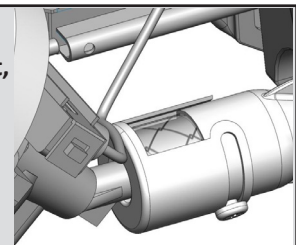
Brenner: sind aus dickwandigem Rostfreistahl 304 hergestellt. Wegen der extremen Hitze und der Umwelteinflüsse treten trotzdem Korrosionen auf. Korrosion der Oberflächen mit einer Messingdrahtbürste entfernen. Verstopfte Auslässe mit einer geöffneten Heftklammer freimachen. Auslässe dabei nicht vergrößern.

VORSICHT! Passen Sie Von Den Spinnen Auf

Spinnen und Insekten werden von Propan- und Erdgasgeruch angelockt. Damit sie im Brenner keine Nester bauen, ist der Lufteinlass mit einem Insektengitter versperrt, womit das Problem jedoch nicht 100%ig gelöst ist. Ein Spinnennetz oder Nest verbrennt mit einer weichgelben oder orangefarbenen Flamme, oder es kommt zu einem Feuer (Flammenrückschlag) an der Luftzufuhr unter dem Bedienbrett. Damit das Innere eines Brenners gereinigt werden kann, muss er aus dem Gasgrill ausgebaut werden. Schraube in der Mitte des Brenners lösen. Brenner am hinteren Teil nach oben und herausheben. Innere des Brenners mit einer flexiblen Spezialbürste zum Reinigen von Venturirohren säubern. Den gelösten Schmutz durch den Gaseinlass aus dem Brenner schütteln. Das Insektengitter muss sauber, dicht und frei von Fusseln und sonstigem Schmutz sein. Auch die Ventildüsen müssen sauber sein. Es ist darauf zu achten, dass die Düsen beim Reinigen nicht vergrößert werden. Brenner wieder einbauen. Beim Einbau muss die Düse in den Brenner geführt werden. Brennerabdeckung aufsetzen und Befestigungsschrauben festschrauben.



ACHTUNG! Bei der erneuten Installation des gereinigten Brenners unbedingt sicherstellen, dass das Ventil/die Öffnung in das Brennerrohr führt, bevor der Gasgrill angezündet wird. Wenn das Ventil sich nicht innerhalb des Brennerrohrs befindet, kann es zu Brand oder Explosion kommen.



Schutz Der Infrarotbrenner: Die Infrarotbrenner des Grills haben normalerweise eine lange Lebensdauer. Damit diese lange Lebensdauer gewährleistet ist, muss verhindert werden, dass die Keramikbeschichtung reißt. Im Folgenden wird beschrieben, wie Rissbildung zu verhindern ist. Schäden, die wegen Nichtbeachtung dieser Hinweise auftreten, sind nicht von der Garantie gedeckt.

1. Stöße mit harten Gegenständen – Die Keramik darf nicht mit harten Gegenständen angestoßen werden. Beim Abnehmen und Einsetzen der Grillroste ist Vorsicht geboten. Fällt solch ein Gegenstand auf die Keramik, würde diese wahrscheinlich reißen.

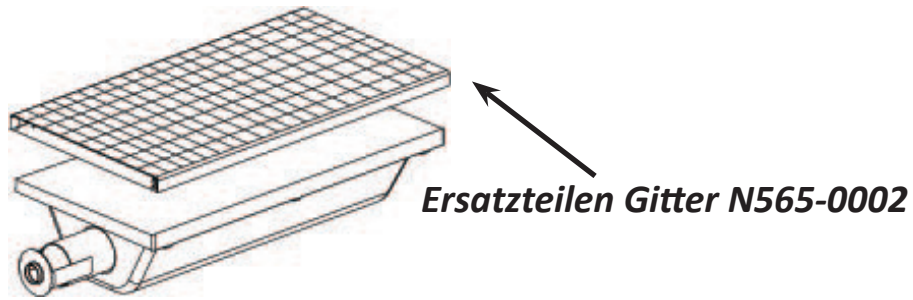
2. Wasser und sonstige Flüssigkeiten – Wenn viel kalte Flüssigkeit mit der heißen Keramikfläche in Berührung kommt, kann diese reißen. Darum darf kein Wasser auf den Grill geschüttet werden, um ein Aufflammen zu löschen. Wenn bei abgestelltem Grill die Keramik oder das Innere eines Brenners nass wird, kann die Keramik durch den Druck des Wasserdampfs reißen, wenn der Grill wieder benutzt wird. Wiederholtes Nässen der Keramik lässt diese aufquellen und expandieren. Dieses Expandieren setzt die Keramik unter Druck, sodass sie reißen und abbröckeln kann.

i) Kein Wasser auf den Grill werfen, um ein Aufflammen zu löschen.

ii) Grill nicht im Freien betreiben, wenn es regnet.

iii) Sollte einmal Wasser im Grill stehen (z. B. durch Regen oder Sprinkler), ist zu untersuchen, ob die Keramik sich mit Wasser vollgesogen hat. Ist die Keramik nass, Brenner aus dem Grill ausbauen. Umgekehrt hinlegen, damit das Wasser ablaufen kann. Im Hause gründlich trocknen lassen.

3. Schlechte Belüftung des Grills – Die heiße Luft muss aus dem Grill entweichen können, damit die Brenner richtig funktionieren. Bei schlechter Belüftung kommt es zu Sauerstoffmangel, was zu Flammenrückschlägen führt. Wenn dies wiederholt passiert, reißt die Keramik. Darum sollte niemals mehr als 75% der Grillfläche mit Vollmetall (d.h. von einem Grillblech oder einer großen Pfanne) abgedeckt sein.



VORSICHT! Schlauch : auf Abrieb, Schmelzstellen, Einschnitte und Risse untersuchen. Wenn einer dieser Defekte vorliegt, darf der Gasgrill nicht benutzt werden. Schlauch von Ihrem Napoleon-Händler oder einem Fachbetrieb auswechseln lassen.

Alugussteile: regelmäßig mit warmem Seifenwasser säubern. Normalerweise rostet Aluminium nicht. Durch die hohen Temperaturen und die Umwelteinflüsse kann es jedoch zu einem Oxidieren der Oberfläche kommen. Dies äußert sich als weiße Flecke auf dem Guss. Gussteile säubern und mit feinem Sandpapier abschmirlgeln. Schmirlgeltaub abwischen, und Gussteile mit temperaturbeständiger Grillfarbe lackieren. Benachbarte Teile abdecken, damit sie nicht mit Farbe besprüht werden. Gemäß Anweisung auf der Farbdose trocknen lassen.

Fehlerbehebung

Problem	Mögliche Ursachen	Lösung
Geringe Hitze / kleine Flamme auf Stellung „High“.	Bei Propangas – die Anweisungen für das Anzünden wurden nicht befolgt. Bei Erdgas – Leitung für die Gaszufuhr zu klein. Bei beiden Gasarten – ungenügendes Vorheizen.	Die Anweisungen für das Anzünden genau befolgen. Alle Gasgrillventile müssen sich in der Stellung „OFF“ (Aus) befinden, wenn das Ventil für die Gaszufuhr geöffnet wird. Die Gaszufuhr langsam öffnen, um Druckausgleich zu ermöglichen. Siehe Anweisungen für das Anzünden. Rohrgröße muss den Installationsvorschriften entsprechen. Beide Hauptbrenner einschalten und Grill auf hoher Stufe 10 bis 15 Minuten vorheizen.
Übermäßiges Aufflammen/ ungleichmäßige Hitze.	Flammenschutzsätze nicht ordnungsgemäß installiert. Ungenügendes Vorheizen. Übermäßige Ansammlung von Fett und Asche auf den Flammenschutzsätzen und im Fett-Auffangbehälter.	Siehe Montageanweisungen. Beide Hauptbrenner einschalten und Grill auf hoher Stufe 10 bis 15 Minuten vorheizen. Flammenschutzsätze und Auffangbehälter regelmäßig reinigen. Auffangbehälter nicht mit Alufolie auslegen. Siehe Anweisungen für das Reinigen des Grills.
Brenner brennt mit gelber Flamme mit wahrnehmbarem Gasgeruch.	Möglicherweise ist der Brenner durch ein Spinnennetz und etwas anderes verschmutzt.	Brenner entfernen und gründlich reinigen. Siehe Anweisungen zu Wartung und Pflege.
Heckbrenner und Seitenbrenner zünden nicht mit dem Zünder, aber mit einem Streichholz.	Leere Batterie / oder nicht ordnungsgemäß installiert. Elektrodendraht oder Schalter-Klemmdrähte locker.	Durch eine leistungsstarke Batterie ersetzen. Überprüfen, dass Elektrodendraht sich fest in der Anschlussklemme an der Rückseite des Zünders befindet. Überprüfen Sie, ob die Anschlussdrähte vom Modul zum Zündschalter (soweit vorhanden) fest auf ihre jeweiligen Anschlussklemmen gedrückt werden.
Brenner lässt sich nicht mit dem Zünder zünden, aber mit einem Streichholz.	Jetfire-Auslass ist verschmutzt oder verstopft.	Reinigen Sie den Jetfire-Auslass mit einer weichen Bürste.
„Summender“ Druckregler.	Normales Verhalten an heißen Tagen.	Dies ist kein Defekt. Das Geräusch wird durch interne Vibrationen im Druckregler hervorgerufen und beeinträchtigt weder die Leistung noch die Sicherheit des Gasgrills. „Summende“ Druckregler werden nicht ersetzt.
Brenner entzünden sich nicht gegenseitig.	Verschmutzte oder korrodierte Halter.	Reinigen oder bei Bedarf ersetzen.
Haubeninnenseite sieht aus, als ob „Farbe“ abblättert.	Fettansammlung auf den Innenseiten.	Dies ist kein Defekt. Die Hauben haben ein Porzellan-Finish, das nicht abblättern kann. Das Abblättern wird durch hart gewordenes Fett hervorgerufen, das zu farbähnlichen Splittern trocknet, die abblättern können. Dies kann durch regelmäßiges Reinigen verhindert werden. Siehe Anweisungen für das Reinigen.

Problem	Mögliche Ursachen	Lösung
Brennerleistung auf Stufe „High“ ist zu niedrig. (Rumpelnde Geräusche und flatternde blaue Flamme an der Brenneroberfläche.)	Zu wenig Gas. Zufuhrschlauch ist eingeklemmt. Schmutzige oder verstopfte Öffnung. Spinnweben oder anderes Material in der Venturidüse.	Kontrollieren Sie den Gasstand in der Propangasflasche. Zufuhrschlauch falls nötig neu positionieren. Brennerauslass reinigen. Venturidüse reinigen.
Der Infrarotbrenner (falls vorhanden) „blitzt auf“ (während des Betriebs macht der Brenner ein lautes „Wusch“-Geräusch, gefolgt von einem kontinuierlichen, schweißbrennerähnlichen Geräusch und hört dann auf zu glühen.)	Keramische Fliesen mit Bratenfett und Ablagerungen überfrachtet. Anschlüsse sind verstopft. Brenner überhitzt aufgrund unzureichender Belüftung (die Grillfläche ist weitgehend mit Pfannen oder Töpfen abgedeckt). Risse oder Sprünge in der keramischen Oberfläche. Dichtung der keramischen Oberfläche ist undicht, oder fehlerhafte Schweißnaht im Brennergehäuse.	Brenner abstellen und für mindestens zwei Minuten abkühlen lassen. Brenner erneut zünden und für mindestens fünf Minuten auf hoher Flamme betreiben, oder bis die keramischen Oberflächen gleichmäßig glühen. Sicherstellen, dass nicht mehr als 75 % der Grillfläche mit Objekten oder Zubehör zugedeckt ist. Brenner abstellen und für mindestens zwei Minuten abkühlen lassen, dann erneut anzünden. Brenner abkühlen lassen und sorgfältig auf Risse untersuchen. Falls Sie Risse feststellen sollten, wenden Sie sich an einen autorisierten Napoleon-Händler, um eine Ersatz-Brennereinbaugruppe zu bestellen. Wenden Sie sich an einen autorisierten Napoleon-Händler, um Informationen zur Bestellung einer Ersatz-Brennereinbaugruppe zu erhalten.
Zündflamme lässt sich nicht anzünden. (falls vorhanden)	Zu wenig Gas. Verstopfung in der Pilotdüse. Elektrodendraht locker oder nicht vorhanden. Schmutzige Pilotelektrode. Zündflamme ist bereits gezündet.	Nachdem Sie den Zündknopf auf „High“ gestellt haben, warten Sie ca. 20-30 Sekunden bei gedrücktem Zünder, damit Luft aus der Gasversorgungsleitung entweichen kann. Propangasflasche füllen. Während der Ersteinrichtung oder nach einer Neubefüllung des Gasbehälters, empfiehlt es sich, einen der Rohrbrenner zu zünden, bevor der Zündbrenner entzündet wird. Dadurch kann das Gas die Ventile auf der Verteiler schneller erreichen. Pilotdüse reinigen. Anschlussdrähte erneuern. Pilotelektrode reinigen. Die Zündflamme, vor allem bei erdgasbetriebenen Einheiten, ist sehr schwierig zu erkennen. Halten Sie Ihre Hand 2,5 cm über der Grill-Oberfläche oberhalb des Zündrenners, um die Wärme zu fühlen.

BEWAHREN SIE IHRE QUITTING ALS KAUFNACHWEIS AUF, UM IHREN GARANTIEANSPRUCH ZU VALIDIEREN.

BESTELLUNG VON ERSATZTEILEN

GARANTIE-INFORMATIONEN

MODELL: _____

KAUFDATUM: _____

SERIENNUMMER: _____

(Alle für einen Garantieanspruch benötigten Informationen hier aufzeichnen)

Bevor Sie sich mit dem Kundendienst in Verbindung setzen, besuchen Sie bitte die NAC-Website unter www.napoleongrills.com, um ausführlichere Informationen zu Reinigung, Wartung und Pflege, Fehlerbehebung und Ersatzteile zu erhalten. Setzen Sie sich direkt mit dem Werk in Verbindung, um Ersatzteile zu bestellen und Garantieansprüche geltend zu machen. Unser Kundendienst ist zwischen 9 und 15 Uhr Eastern Standard Time erreichbar. Telefonnummer: +1-866-820-8686, Faxnummer: +1-705-727-4282. Zur Bearbeitung eines Garantieanspruchs bitte die folgenden Informationen bereithalten:

1. Modell- und Seriennummer des Geräts
2. Teilenummer und –beschreibung
3. Vollständige Beschreibung des Problems („kaputt“ ist nicht ausreichend)
4. Kaufnachweis (Fotokopie der Rechnung)

In manchen Fällen kann der Kundendienstbeauftragte u. U. die Einsendung der Teile zur Überprüfung im Werk verlangen, bevor Ersatzteile ausgeliefert werden. Die Teile müssen unter Vorauszahlung aller Transportkosten und Angabe der folgenden Informationen an den Kundendienst versandt werden:

1. Modell- und Seriennummer des Geräts
2. Vollständige Beschreibung des Problems („kaputt“ ist nicht ausreichend)
3. Kaufnachweis (Fotokopie der Rechnung)
4. Autorisierungscode für die Rücksendung. Diese erhalten Sie vom Kundendienstmitarbeiter.

Beachten Sie, dass die folgenden Teile nicht unter die Garantie fallen, bevor Sie den Kundendienst kontaktieren:

- Transportkosten, Courtage oder Exportzölle
- Arbeitskosten für Aus- und Einbau
- Telefonkosten für Anrufe zur Diagnose eines Problems
- Verfärbungen von Edelstahlteilen
- Teileversagen aufgrund von mangelnder Reinigung und Pflege, oder Verwendung von falschen Reinigungsmitteln (Ofenreiniger)



CAUTION! During unpacking and assembly we recommended you wear work gloves and safety glasses for your protection. Although we make every effort to make the assembly process as problem free and safe as possible, it is characteristic of fabricated steel parts that the edges and corners might be sharp and could cause cuts if handled incorrectly.

Getting Started

1. Remove all cart panels, hardware, and grill head from carton. Raise lid and remove any components packed inside. Use the parts list to ensure all necessary parts are included.
2. Do not destroy packaging until the grill has been fully assembled and operates to your satisfaction.
3. Assemble the grill where it is to be used, lay down cardboard or a towel to protect parts from being lost or damaged while assembling.
4. **Most stainless steel parts are supplied with a protective plastic coating that must be removed prior to using the grill. The protective coating has been removed from some of the parts during the manufacturing process and may have left behind a residue that can be perceived as scratches or blemishes. To remove the residue, vigorously wipe the stainless steel in the same direction as the grain.**
5. Follow all instructions in the order that they are laid out in this manual.
6. Two people are required to lift the grill head onto the assembled cart.



If you have any questions about assembly or grill operation, or if there are damaged or missing parts please call our Customer Solutions Department at 1-866-820-8686 between 9 AM and 5 PM (Eastern Standard Time).



ACHTUNG! Wir empfehlen beim Entpacken des Geräts und bei der Montage Arbeitshandschuhe und eine Schutzbrille zu tragen. Wir unternehmen alle Anstrengungen, den Montageprozess so problemlos und sicher wie möglich zu machen, doch bearbeitete Stahlteile haben üblicherweise scharfe Kanten und Ecken, die zu Schnittverletzungen führen können, wenn sie während der Montage unsachgemäß gehandhabt werden.

Erste Schritte

1. Alle Paneele für den Wagen, Hardware und Grilleinsatz aus dem Karton entnehmen. Haube öffnen und alle darin verpackten Komponenten entnehmen. Anhand der Stückliste sicherstellen, dass alle nötigen Teile vorhanden sind.
2. Zerstören Sie die Verpackung nicht, bevor der Grill vollständig montiert ist und zu Ihrer Zufriedenheit funktioniert.
3. Den Grill an der Stelle montieren, wo er verwendet werden soll. Legen Sie Pappe oder ein Handtuch zurecht, um während der Montage keine Teile zu verlegen oder zu beschädigen.
4. **Die meisten Edelstahl-Komponenten sind mit einer Plastik-Schutzfolie überzogen, die vor dem ersten Gebrauch des Grills entfernt werden muss. An manchen Stellen wurde die Schutzfolie bereits während des Produktionsprozesses entfernt und kann Rückstände hinterlassen haben, die wie Fehler oder Kratzer im Material aussehen. Um diese Rückstände zu entfernen, wischen Sie einfach mit sanftem Druck in Richtung der Maserung des Materials.**
5. Folgen Sie allen Anweisungen in diesem Handbuch in der angegebenen Reihenfolge.
6. Zwei Personen sind erforderlich, um den Grillaufsatz auf den montierten Wagen zu setzen.



Bei Fragen zur Montage oder zum Betrieb des Grills, oder bei beschädigten oder fehlenden Teilen, wenden Sie sich an unseren Kundendienst unter +1-866-820-8686 zwischen 9 Uhr und 15 Uhr Eastern Standard Time.

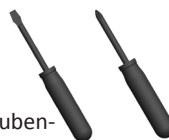
Tools required for assembly (tools not included)

Erforderliche Werkzeuge für die Montage (Werkzeuge nicht enthalten)

3/8 (10mm)
Wrench,
ratchet or driver
10 mm
schraubenschlüssel
oder ring-
maulschlüssel



Flat and Phillips
screwdrivers
Flach- und
kreuzschlitzschrauben-
dreher

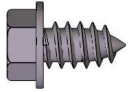


Pliers
Zangen



Hammer
Hamer

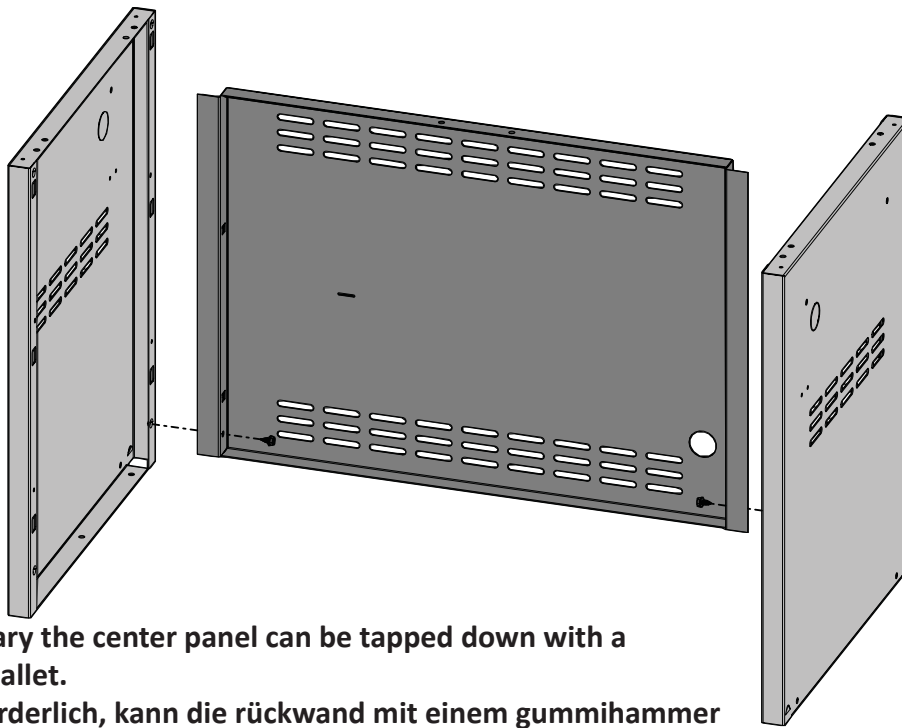




2 X N570-0086 (#14 x 1/2")

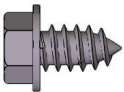


3/8"(10mm)



If necessary the center panel can be tapped down with a rubber mallet.

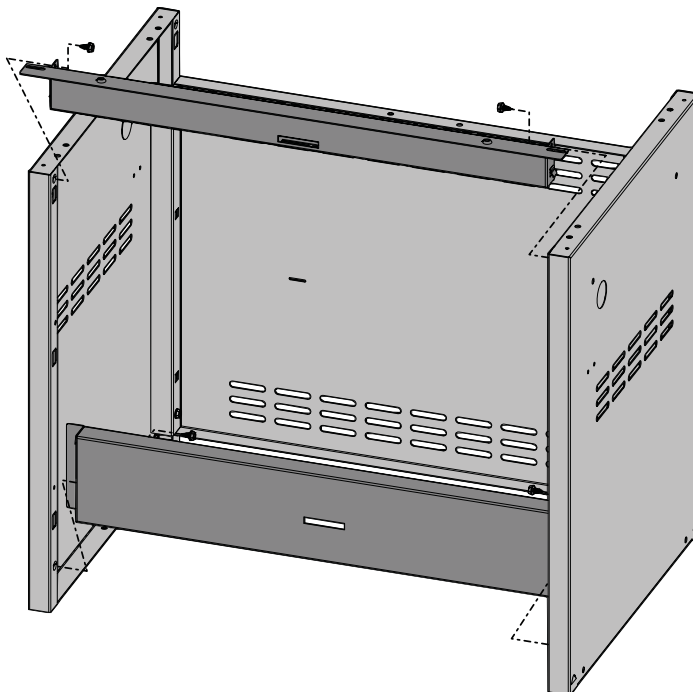
Falls erforderlich, kann die rückwand mit einem gummihammer nach unten geklopft werden.

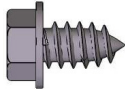


4 X N570-0086 (#14 x 1/2")



3/8"(10mm)

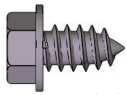
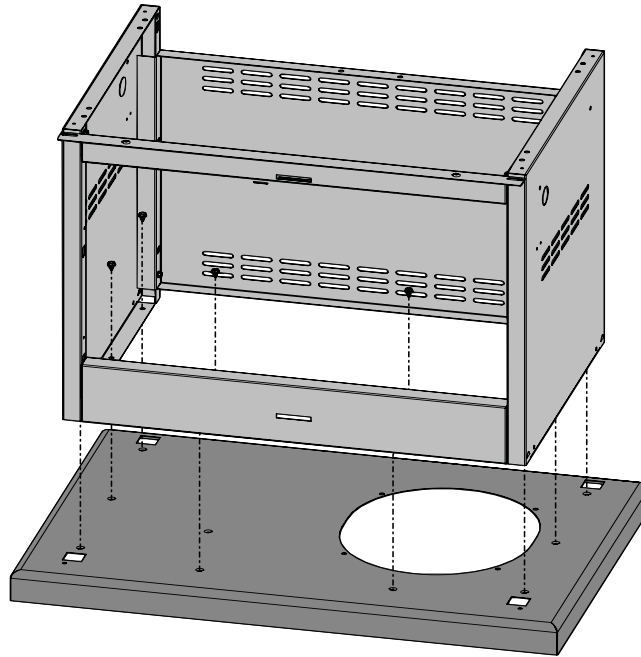




8 X N570-0086 (#14 X1/2")



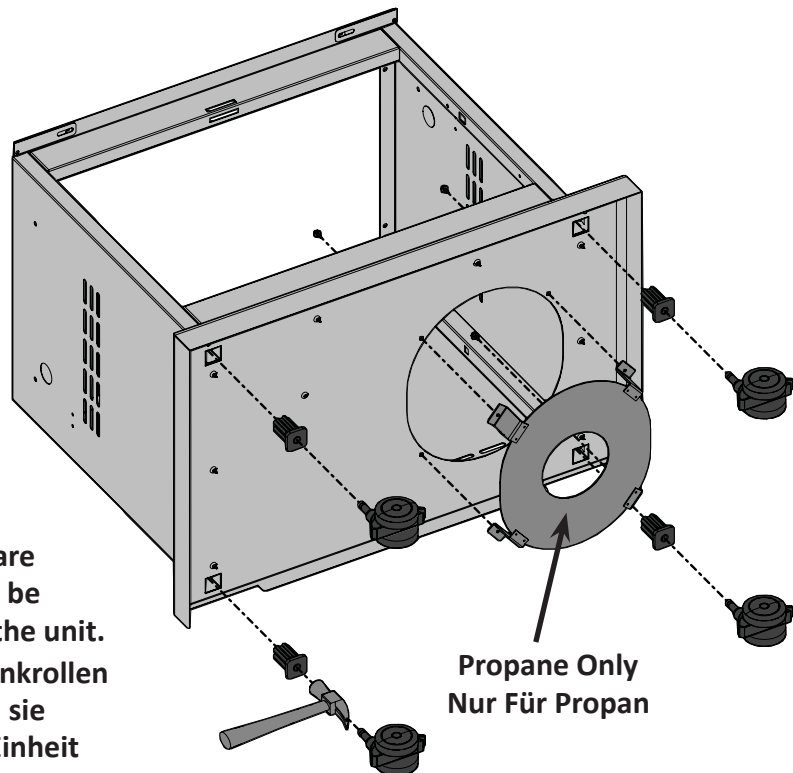
3/8"(10mm)



4 x N570-0086 (#14 x 1/2")

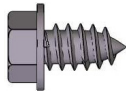


3/8"(10mm)



Ensure the front casters are unlocked as they can not be accessed without lifting the unit.
Sicherstellen, dass die Lenkrollen nicht festgestelt sind, da sie nur durch Anheben der Einheit zugänglich sind.

Propane Only
Nur Für Propan

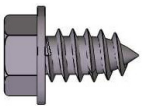
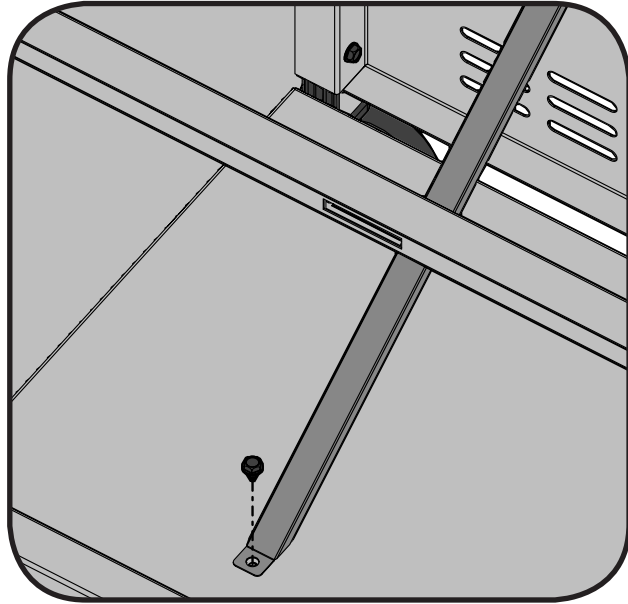
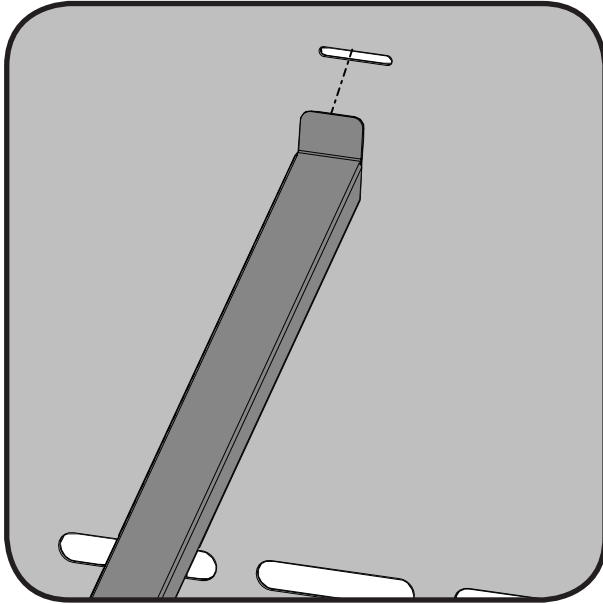


1 x N570-0086 (#14 x 1/2")



3/8" (10mm)

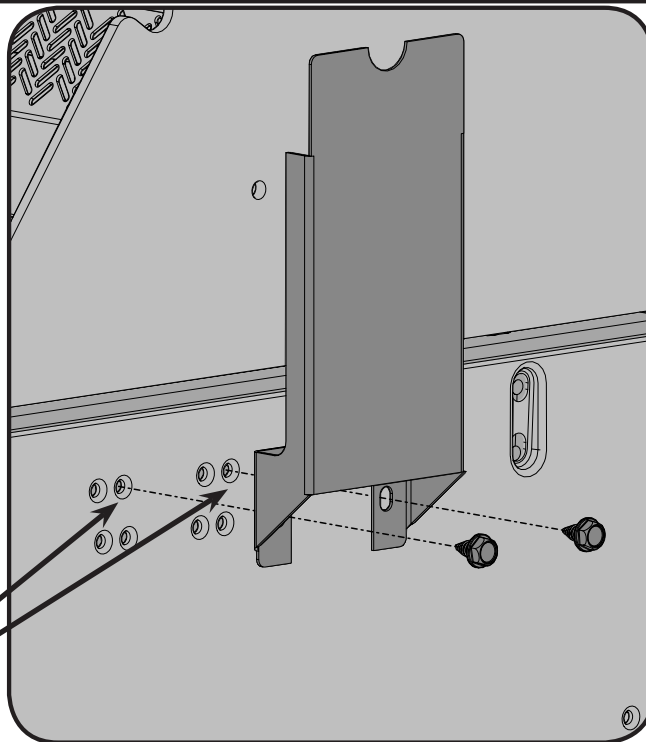
Propane Only
Nur Für Propan

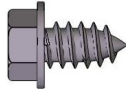


2 x N570-0086 (#14 x 1/2")



3/8" (10mm)





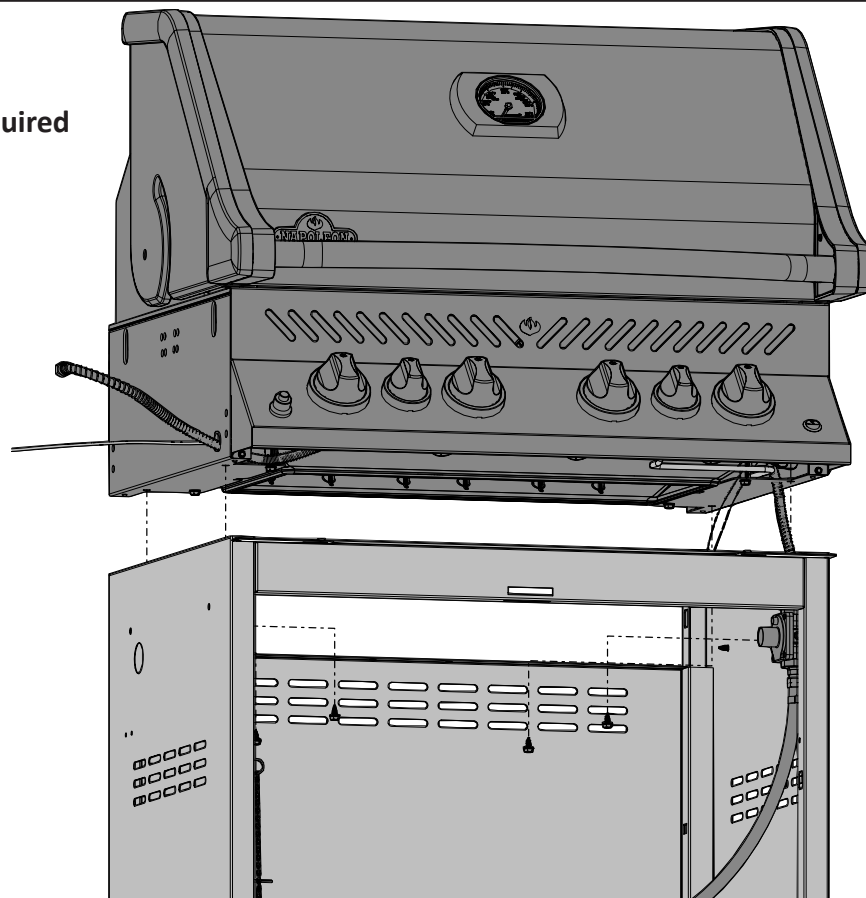
4 x N570-0086 (#14 x 1/2")



3/8" (10mm)

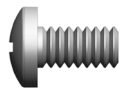
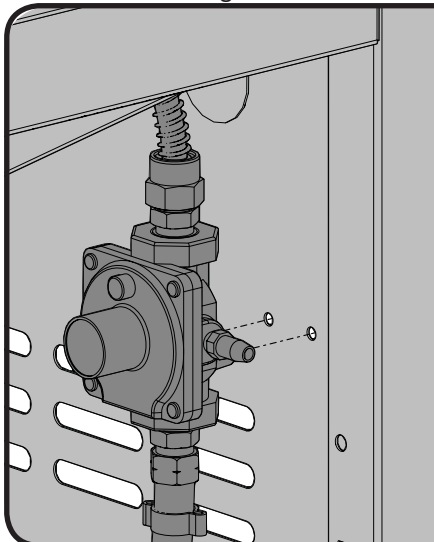
Two people are required for this step.

Für diesen schritt
Sind zwei personen
erforderlich.



PROPANE ONLY - To avoid assembly difficulties, prior to mounting the grill head, remove the zip tie holding the regulator up under the control panel. This was installed at the factory to protect the regulator hose during shipping and is no longer required. (Take care when removing the tie not to damage the hose). Ensure the regulator drops behind the beam on the front of the cabinet.

NUR FÜR PROPAN – Zur Vermeidung von Schwierigkeiten bei der Montage des Grillkopfes zunächst den Kabelbinder entfernen, mit dem der Druckregler unterhalb der Bedienleiste befestigt ist. Der Kabelbinder wird vor der Auslieferung ab Werk angebracht, um den Schlauch des Druckreglers vor Beschädigung zu schützen und ist nicht weiter erforderlich. (Den Kabelbinder vorsichtig durchschneiden, um den Schlauch nicht zu beschädigen.) Stellen Sie sicher, dass der Druckregler sich hinter dem Träger auf der Vorderseite des Gehäuses befindet.

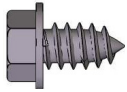
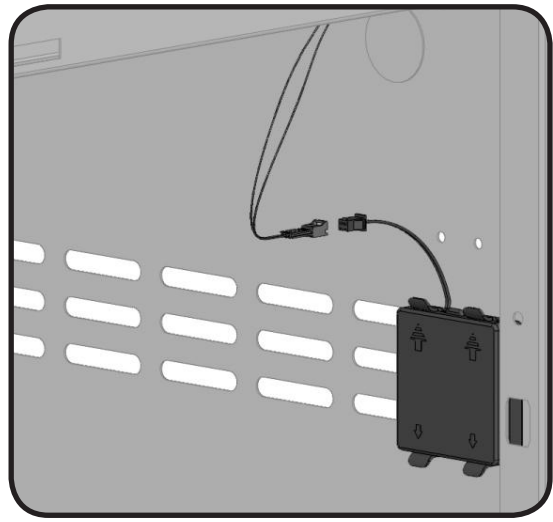
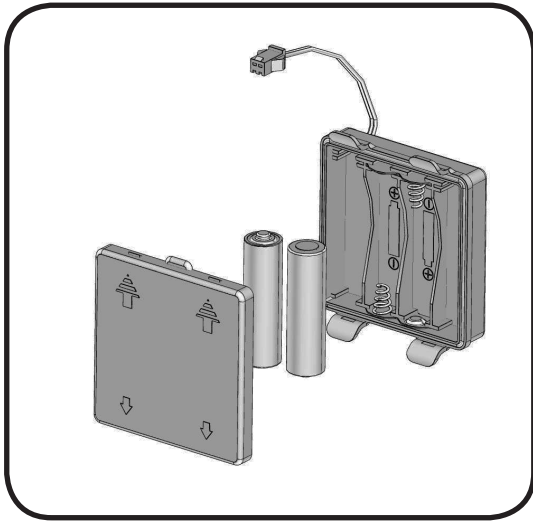


Fasten regulator to side panel using (2) #8 x 3/8" screws.

Druckregler mit zwei (2) #8 x 3/8"-Schrauben festdrehen.

All cylinders 7kg or larger must be placed outside the enclosure (under the right side shelf) on level ground. The hose assembly must be routed through the knock out hole in the right side panel.

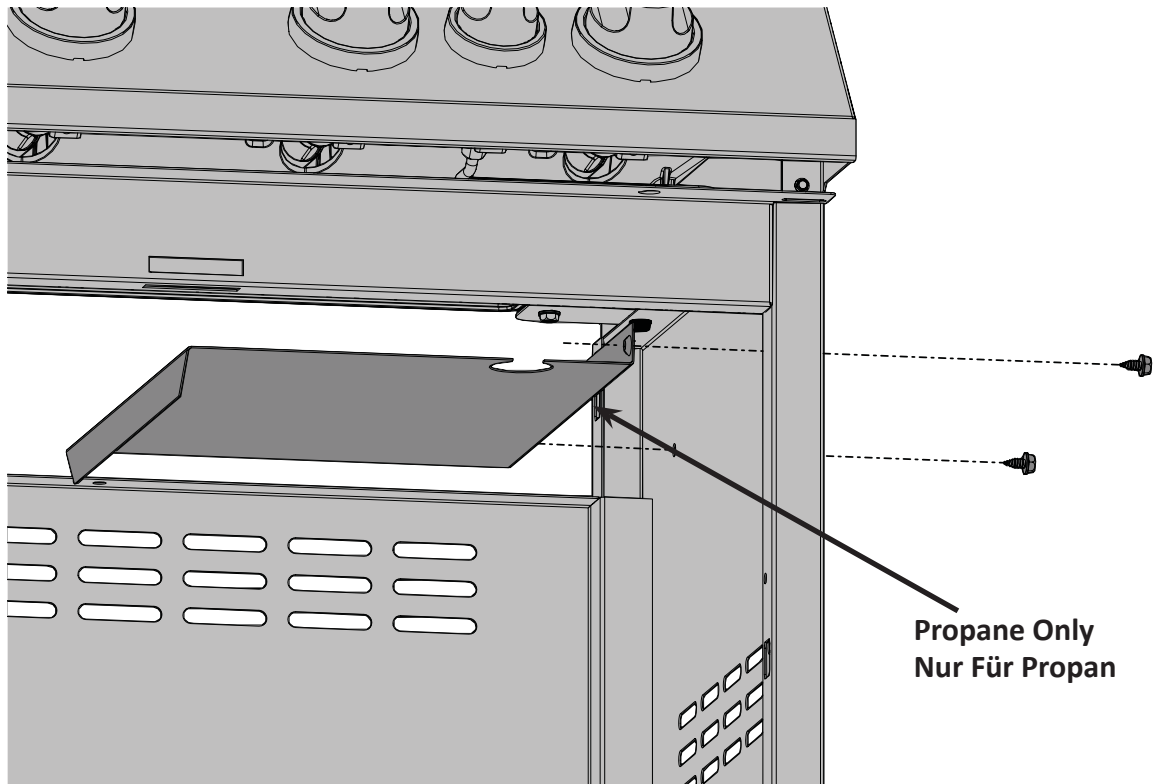
Gasflaschen mit einem Gewicht von 7 kg oder mehr außerhalb des Schrankes (unter dem rechten Seitenregal) ebenerdig aufstellen. Die Schlauchinstallation muss durch die vorgestanzte Öffnung im rechten Seitenpaneel erfolgen.



2 x N570-0086 (#14 x 1/2")

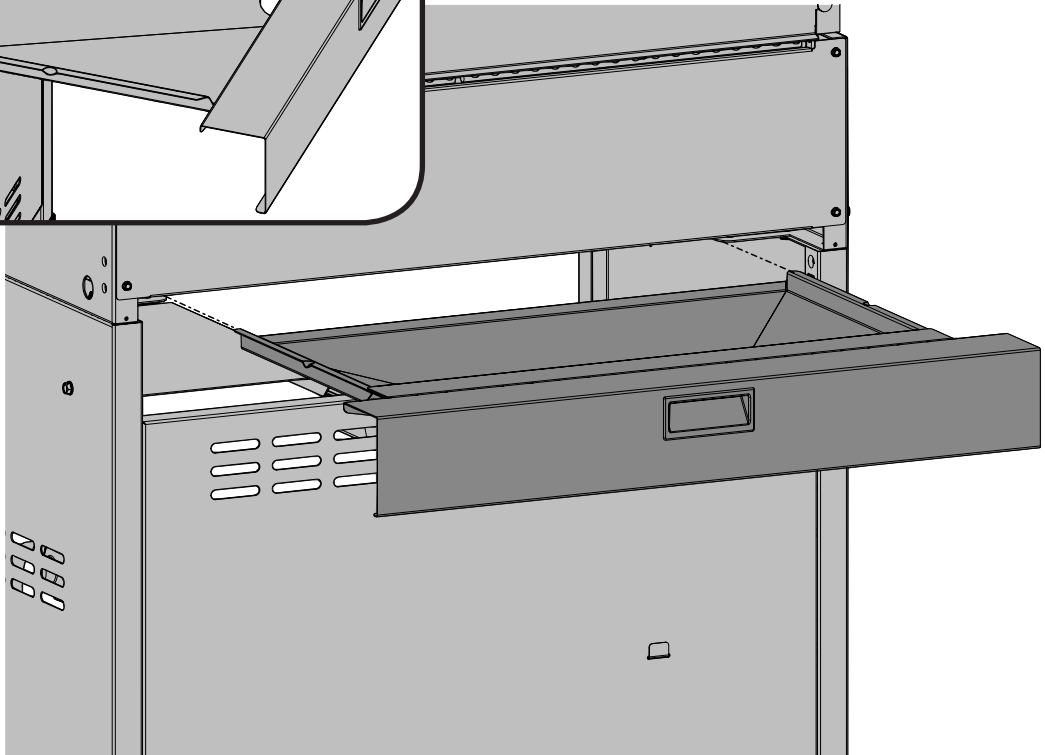
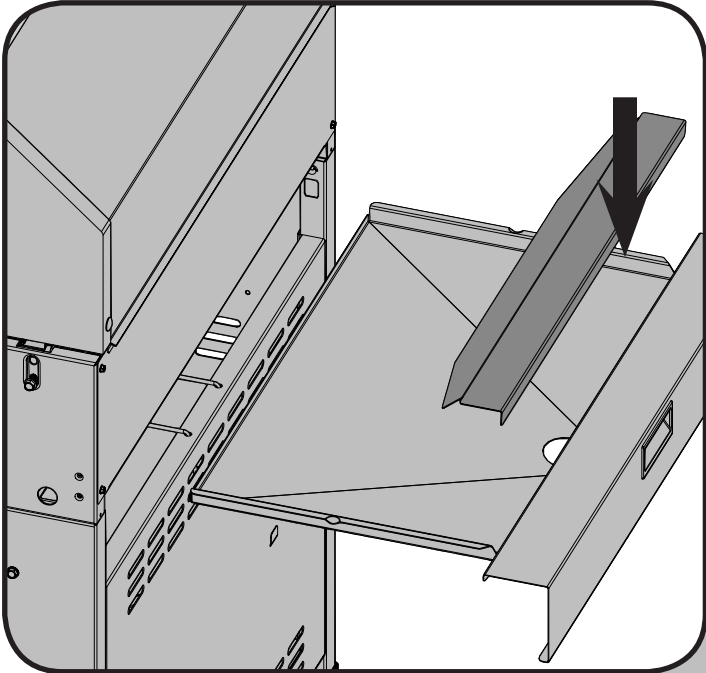
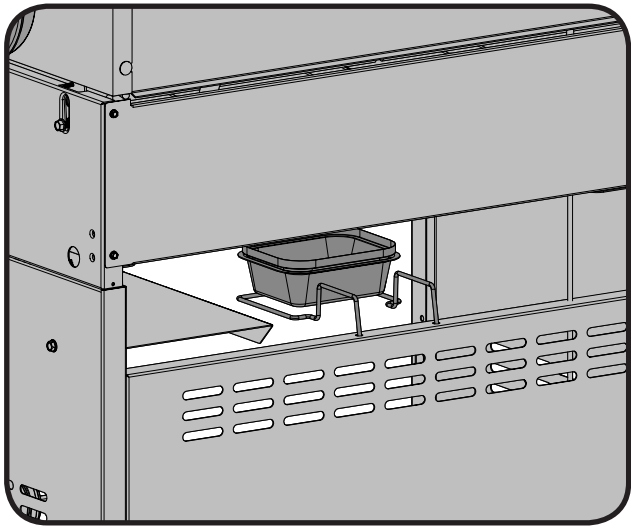
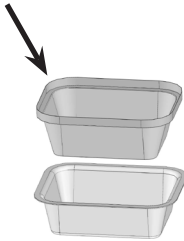


3/8"(10mm)

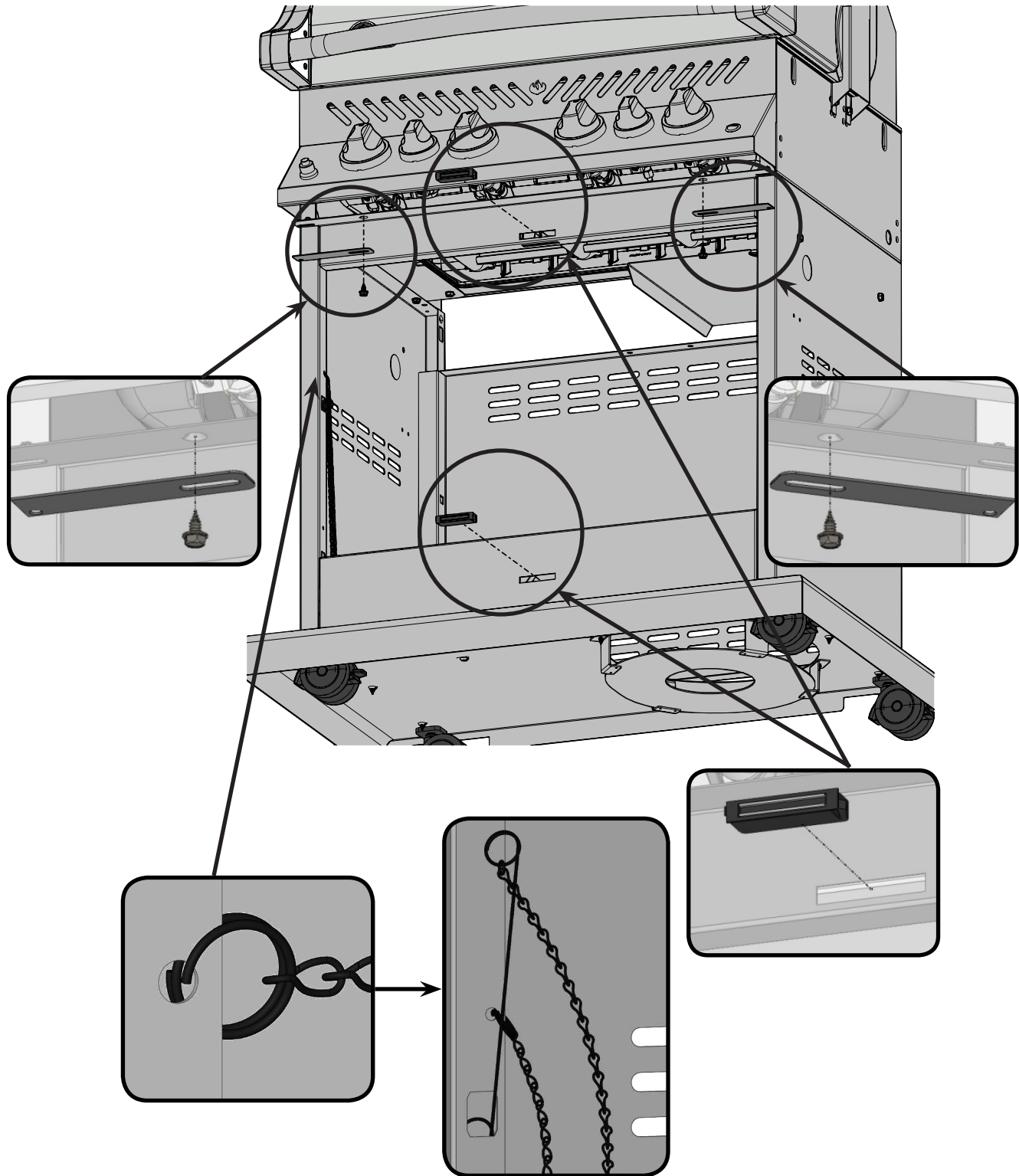


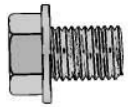


Disposable grease tray
Fett-Auffangbehälter (Einweg)



2 x N570-0086 (#14 x 1/2") 2 x N430-0002 3/8" (10mm)





4 x N570-0038 (1/4-20 X 1/2")



4 x N105-0015

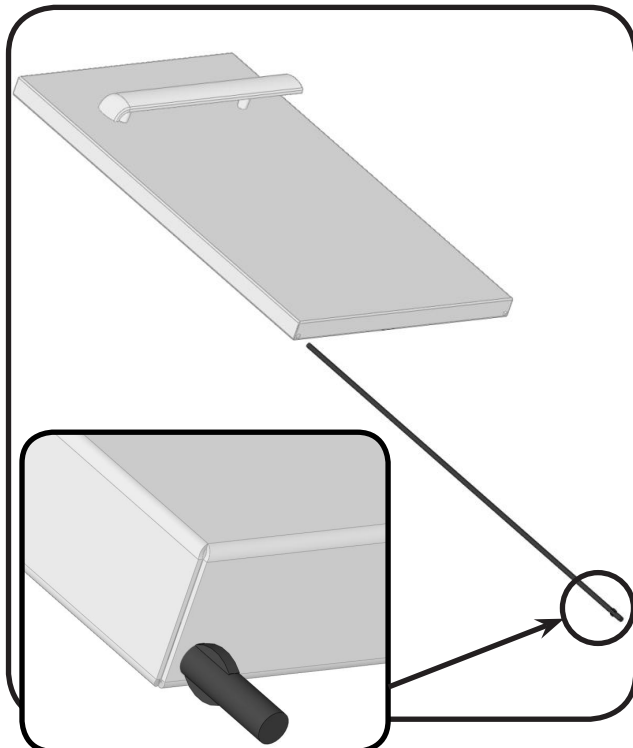
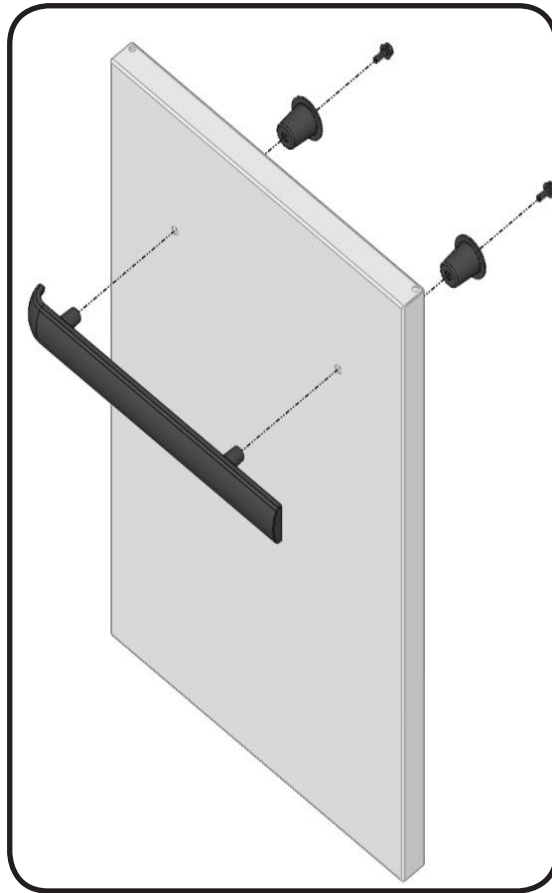


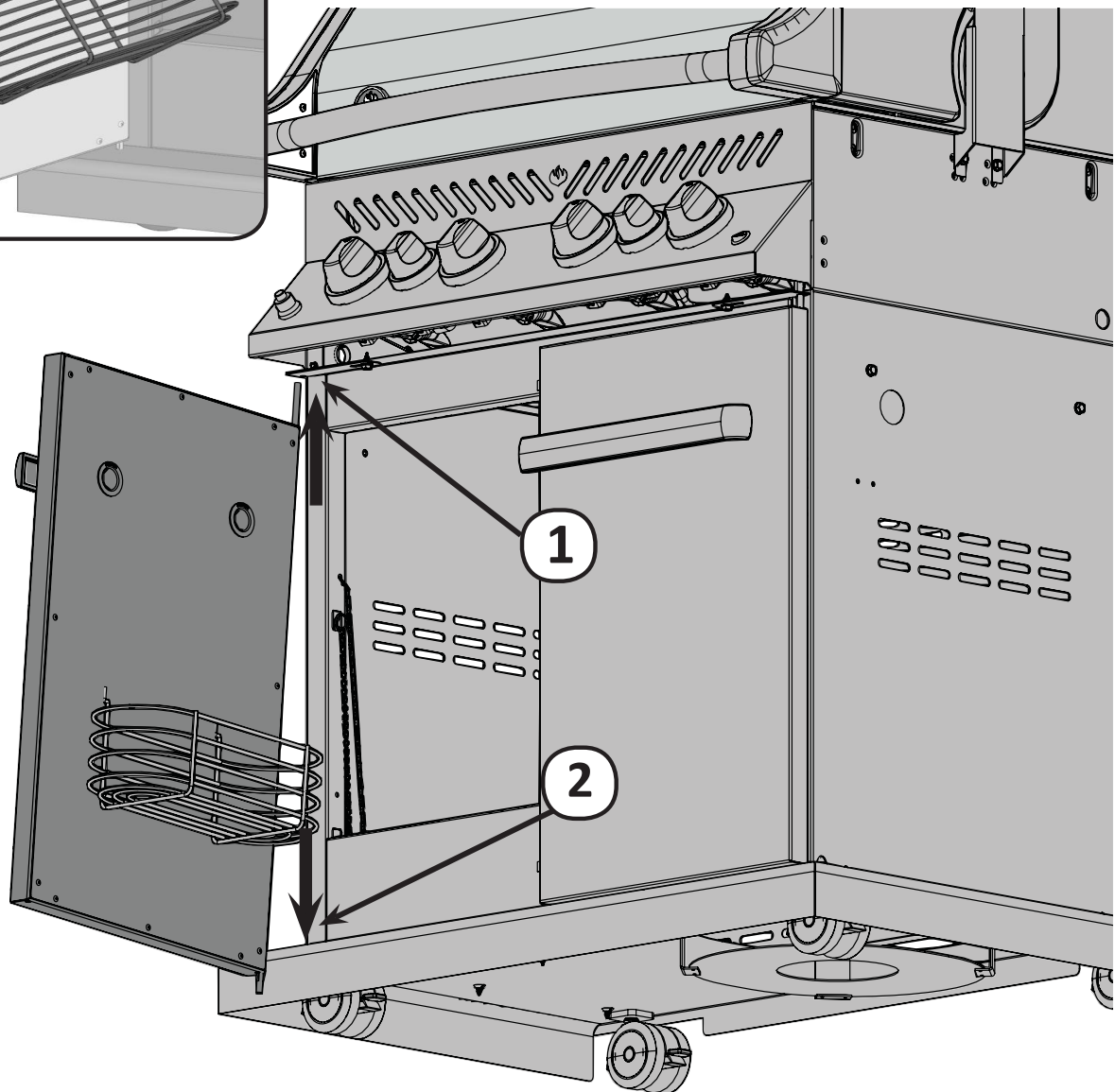
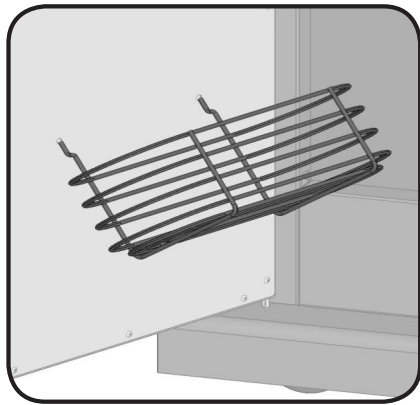
3/8" (10mm)



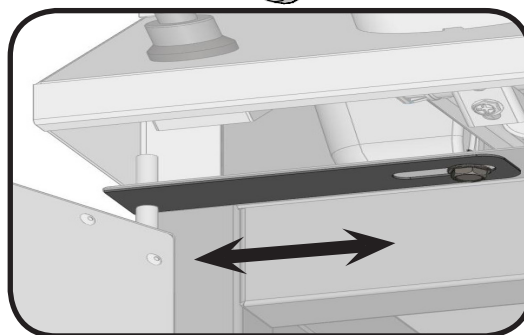
WARNING! Do not over tighten the screws, as this will cause the handle to crack.

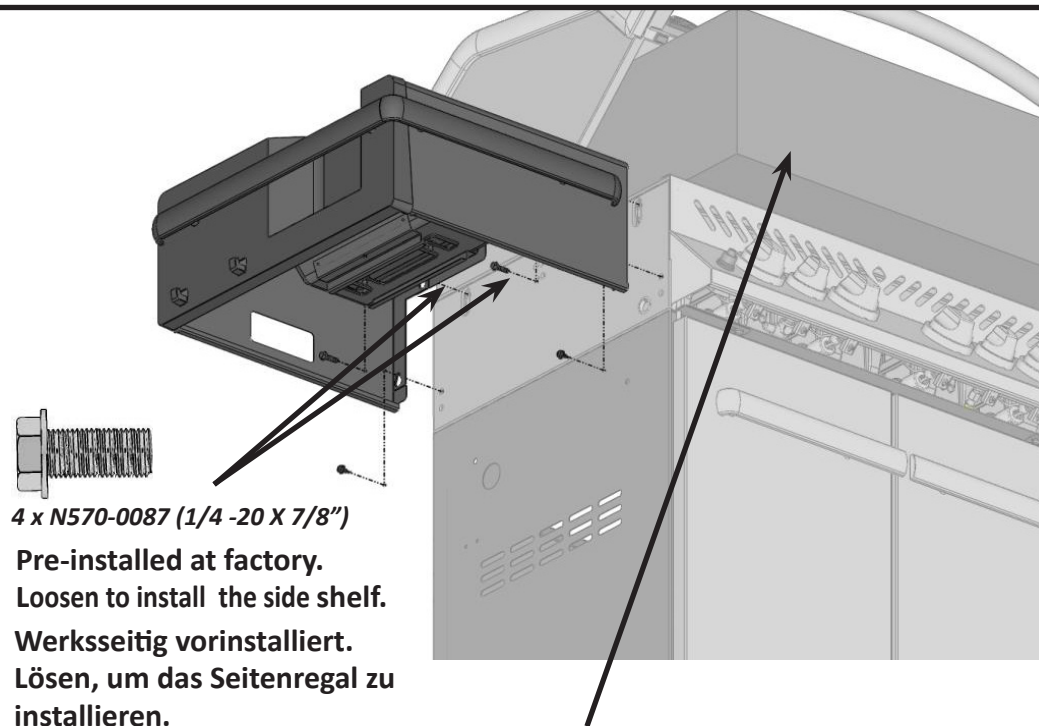
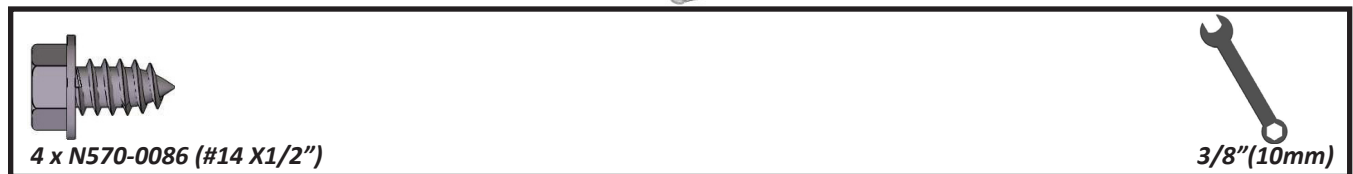
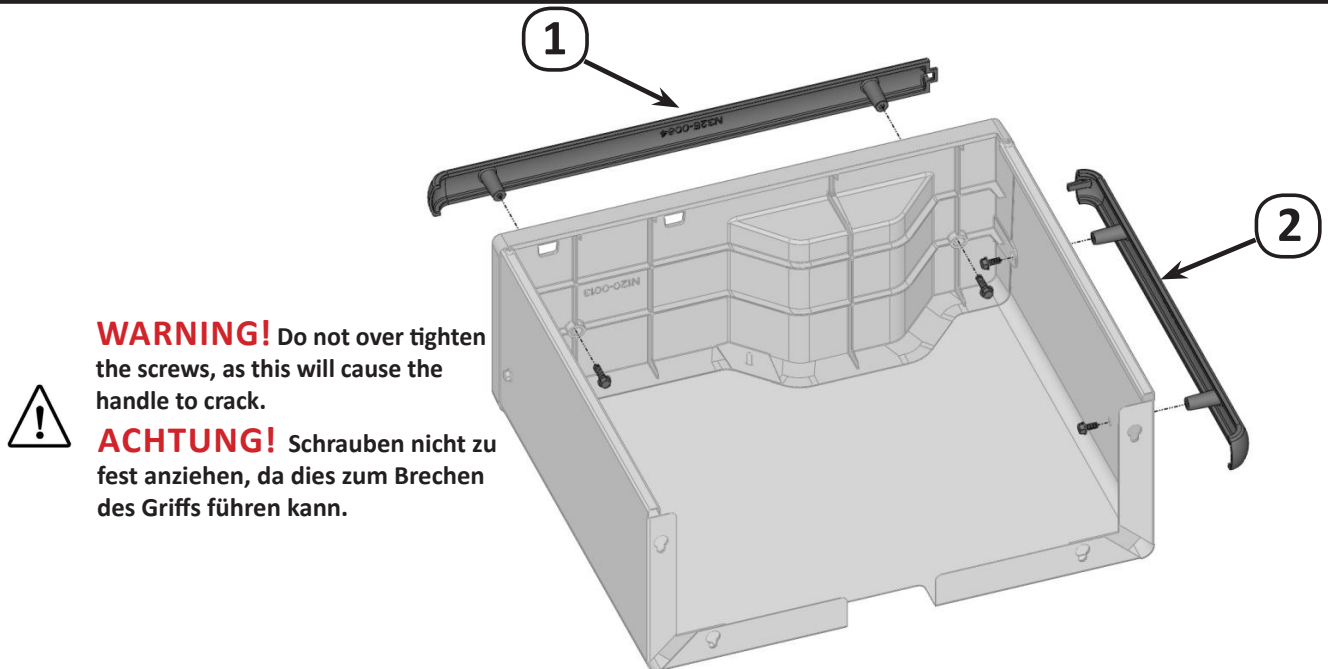
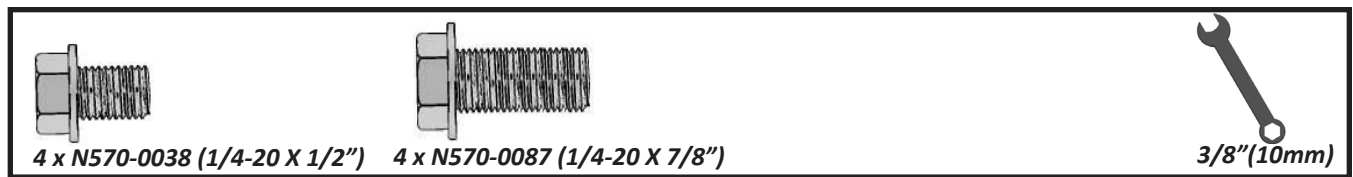
ACHTUNG! Schrauben nicht zu fest anziehen, da dies zum Brechen des Griffs führen kann.





If necessary the doors can be adjusted by sliding the leveling brackets.
Die Tür durch Verschieben der Ausgleichswinkel ausrichten, falls notwendig.

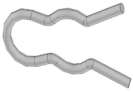




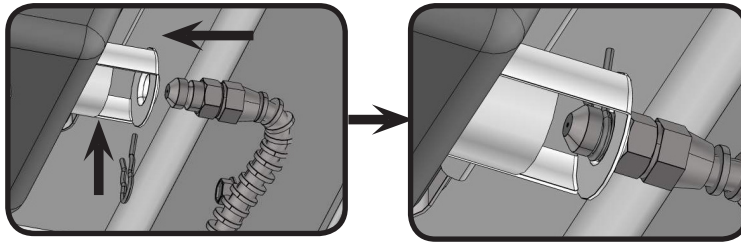
The lid has to be held half way open to install the side shelves.

The side shelf carton can be used to accomplish this.

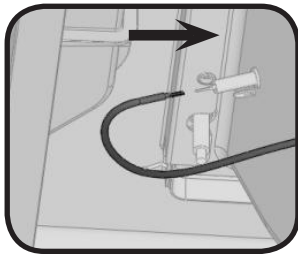
Zur Installation der Seitenregale muss die Haube halb geöffnet gehalten werden. Zu diesem Zweck kann die Kartonverpackung des Seitenregals verwendet werden.



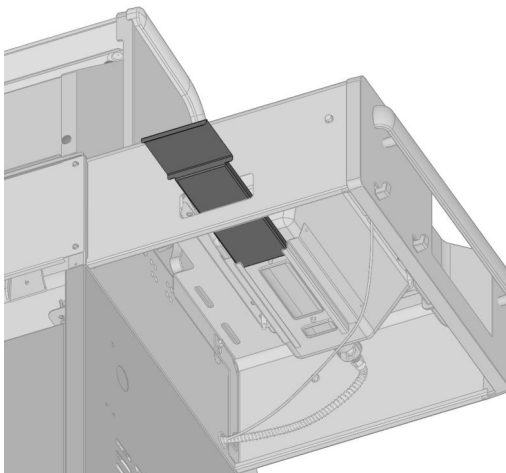
1 x N160-0023



Fit orifice into burner tube and secure with hose retainer clip supplied.
 Öffnung in die Brennerleitung einpassen und mit dem beiliegenden Schlauchhalter-Clip sichern.



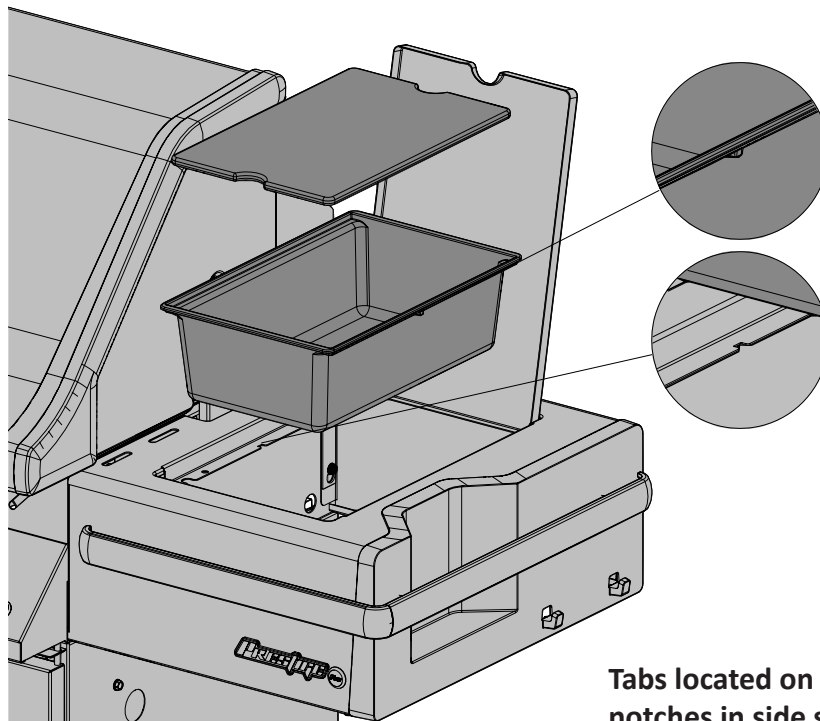
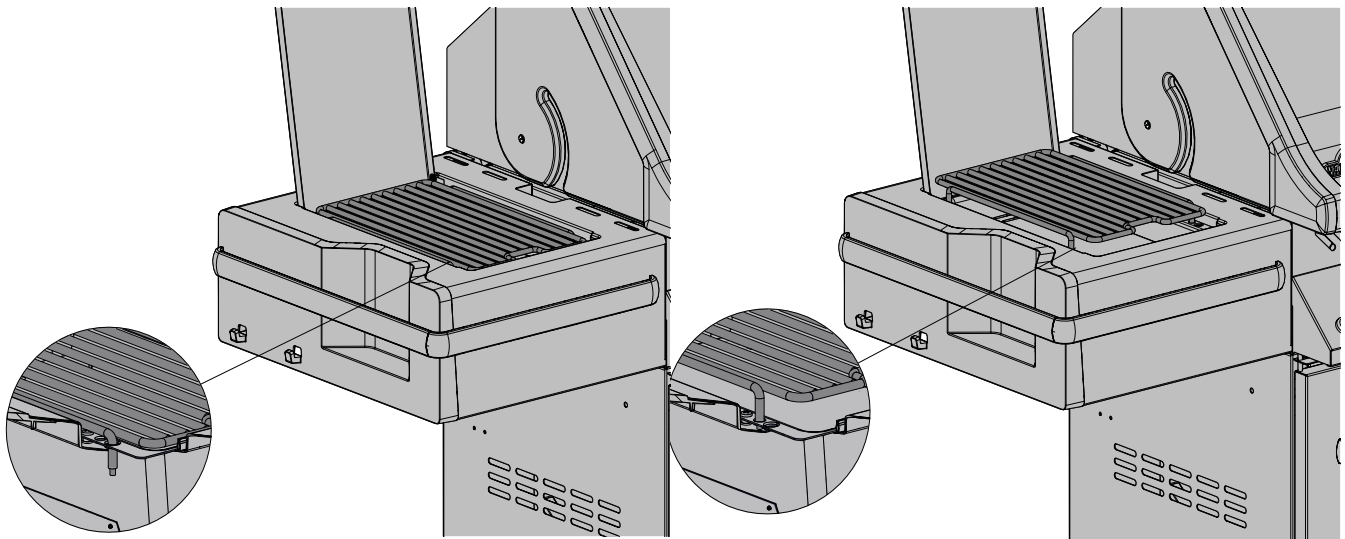
Attach the wire to the side burner electrode.
 Draht vom Verteiler mit der Elektrode des Seitenbrenners verbinden.



WARNING! The Infrared side burner is supplied with a drip pan which holds only a minimal amount of grease. To prevent grease fires, the pan must be cleaned after each use.
ACHTUNG! Der Infrarotbrenner ist mit einer Fett-Auffangschale ausgestattet. Diese kann nur eine geringe Menge von abtropfendem Fett aufnehmen. Zur Vermeidung von Fettbränden muss die Fett-Auffangschale nach jeder Verwendung gereinigt werden.

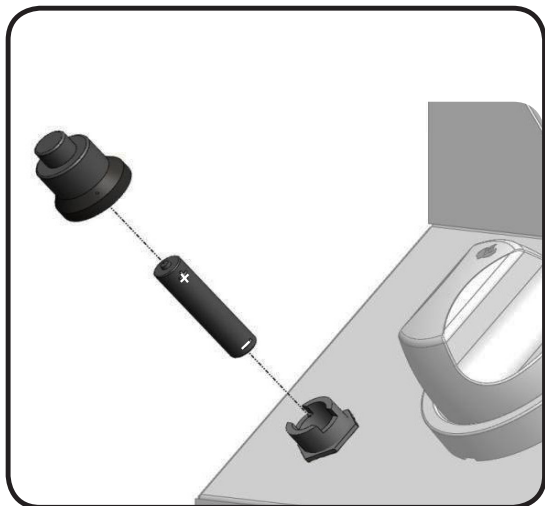
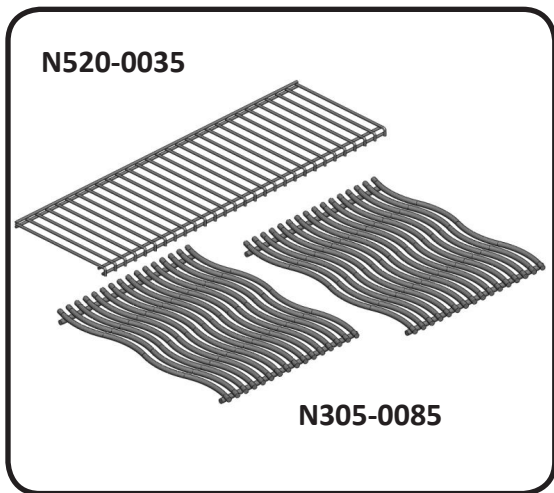
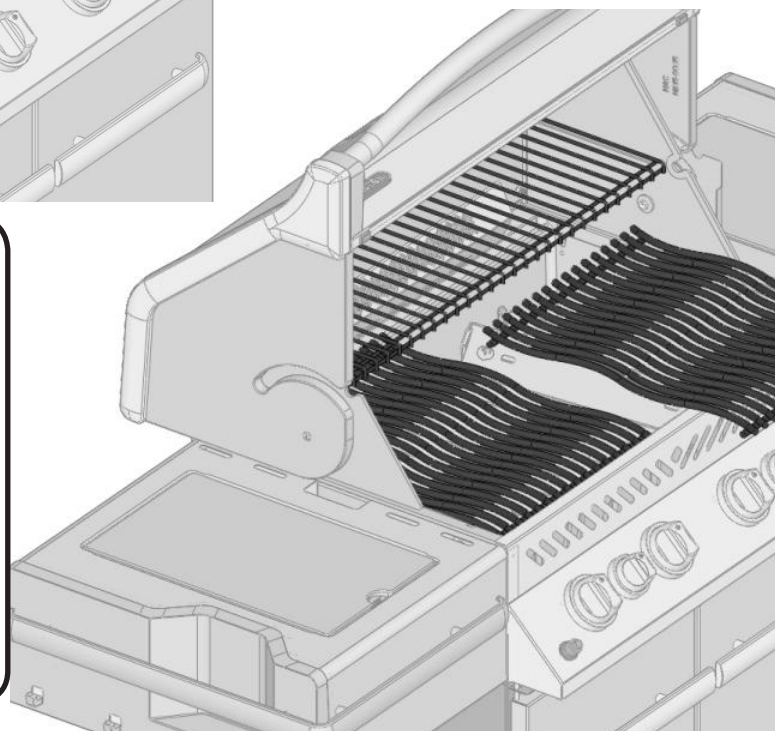
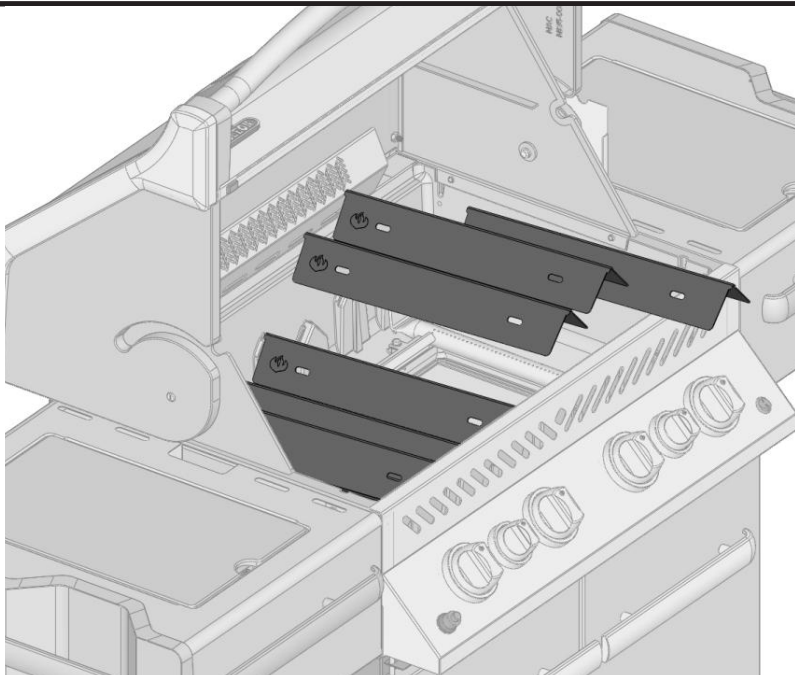
Cooking Grid Placement: The cooking grid can be placed at two different heights. The lower height is for use with pots or pans. The higher position is to be used when searing meats. Ensure the burner is off and the grid is cool to the touch before changing between the two heights. The grid must be at the lower height in order to close the lid.

Platzierung des Grillrosts: Der Grillrost ist auf zwei unterschiedlichen Höhen einsetzbar. Die untere Position ist für die Verwendung von Töpfen oder Pfannen geeignet. Die obere Position ist zum Anbraten von Fleischstücken vorgesehen. Vor dem Wechseln der Höheneinstellungen sicherstellen, dass der Brenner ausgestellt und der Grillrost vollständig abgekühlt ist. Die Grillhaube kann nur geschlossen werden, wenn sich der Grillrost auf der unteren Position befindet.



Tabs located on either side of ice bucket must engage notches in side shelf.

Die gestanzten Streifen an beiden Seiten des Eisbehälters werden schlüssig in die Aussparungen der Seitenablage eingesetzt.



Rotisserie Kit Assembly Instruction

(optional)

Assemble rotisserie kit components as shown.

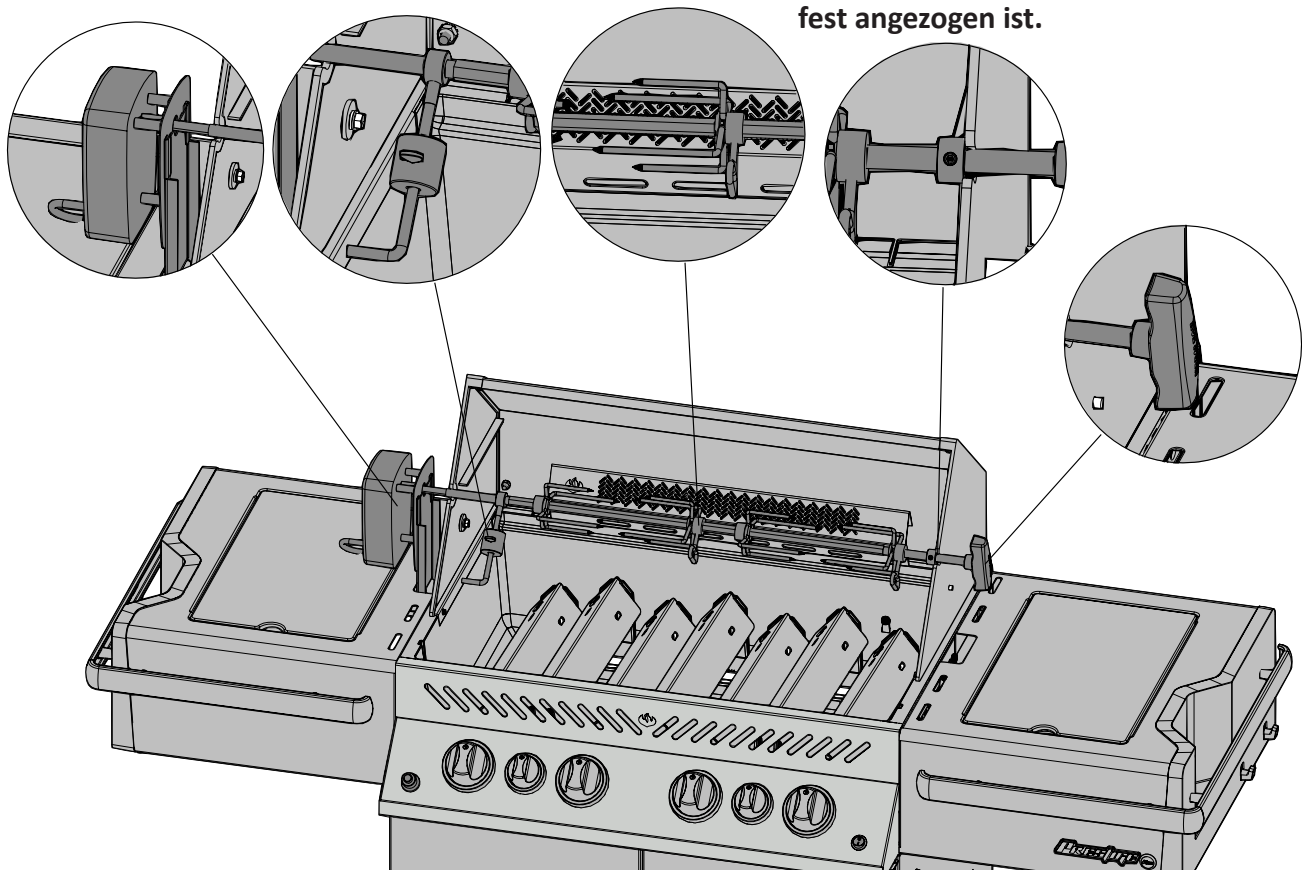
Anweisungen für die Montage des Drehspieß-Sets

(optionale)

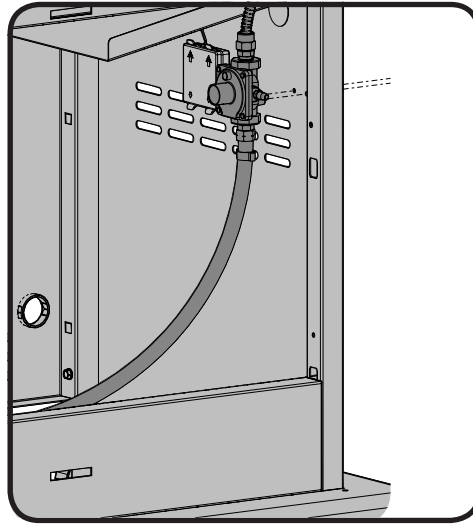
Komponenten des Drehspieß-Sets wie gezeigt montieren.

Ensure stop bushing is tightened on the inside of hood casting.

Sicherstellen, dass die Anschlagbuchse an der Innenseite des Haubengussteils fest angezogen ist.



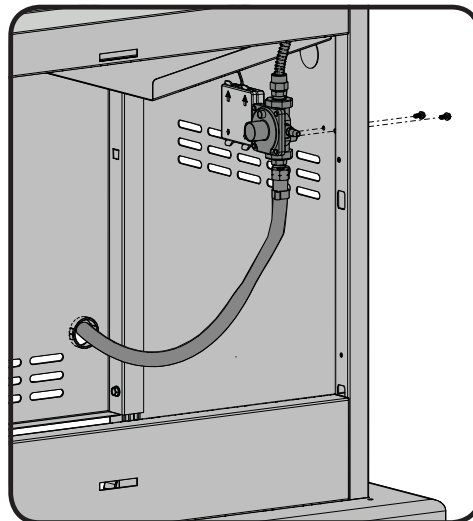
Proper Hose Connection (Propane)
Ordnungsgemäßer Schlauchanschluss (Propan)



WARNING! Ensure the hose does not contact any high temperature surfaces, or it may melt and leak causing a fire.

WARNUNG! Den Schlauch von heißen Oberflächen fernhalten. Schmelzen des Schlauchs kann zu Bränden führen.

Proper Hose Connection (Natural Gas)
Ordnungsgemäßer Schlauchanschluss (Erdgas)



WARNING! The installation must be performed by a licensed gas fitter, and all connections must be leak tested before operating the grill.

WARNUNG! Die Installation muss von einem lizenzierten Gasinstallateur durchgeführt werden und alle Anschlüsse müssen vor Inbetriebnahme des Grills auf Gaslecks überprüft werden.

Cylinder Connection / Flaschenanschluss

NOTE! Some regulator hoses contain a nut and a left hand thread, and others must press ON to connect and OFF to detach. Follow the instructions provided below for the appropriate regulator hose.

HINWEIS! Einige Druckminderer-Schlauch-Sets haben eine Mutter und ein Linksgewinde, während bei anderen ON zum Anschluss und OFF zum Abtrennen gedrückt werden muss. Bitte beachten Sie die untenstehenden Anweisungen für das jeweilige Modell.

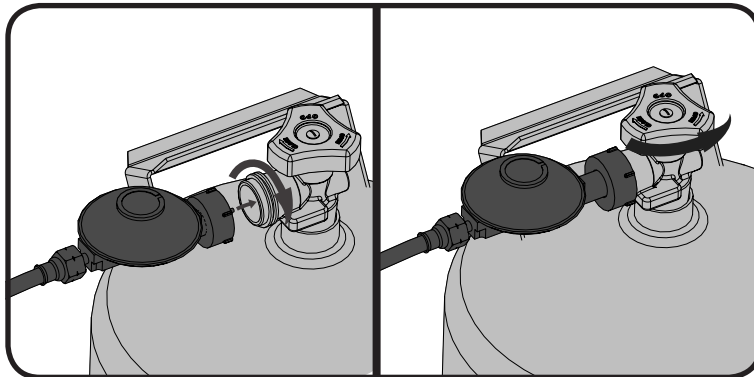


FIG. 1

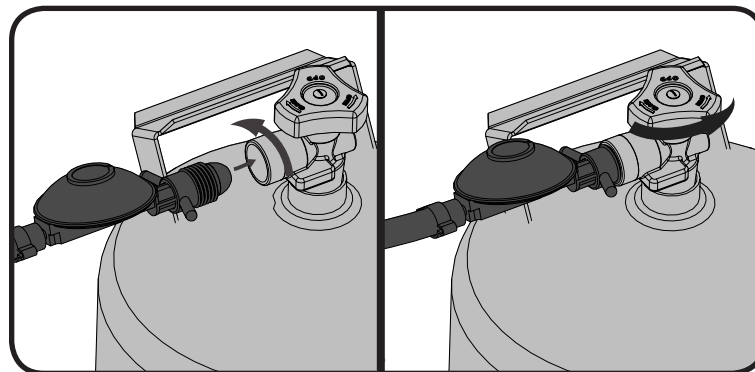


FIG. 2

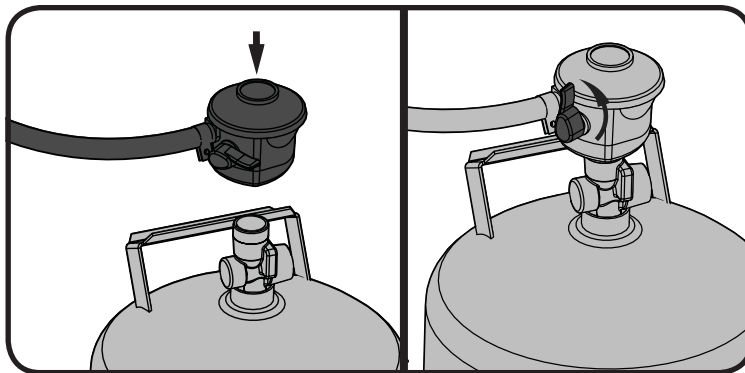


FIG. 3

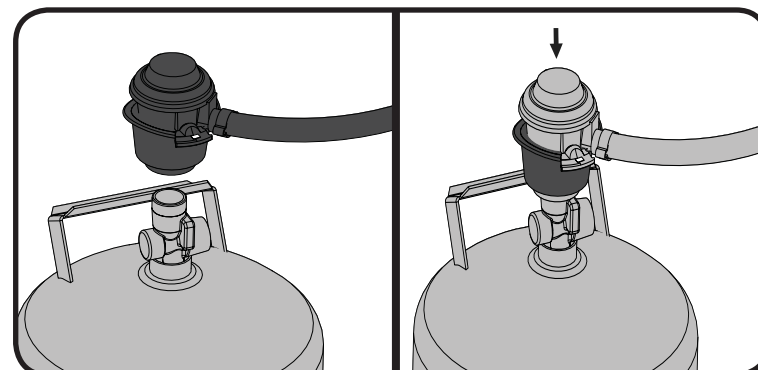


FIG. 4

Leak Testing Instructions



WARNING! A leak test must be performed annually and each time a cylinder is hooked up or if a part of the gas system is replaced.



WARNING! Never use an open flame to check for gas leaks. Be certain no sparks or open flames are in the area while you check for leaks. Sparks or open flames will result in a fire or explosion, damage to property, serious bodily injury, or death.



Leak testing: This must be done before initial use, annually, and whenever any gas components are replaced or serviced. Do not smoke while performing this test, and remove all sources of ignition. See Leak Testing Diagram for areas to check. Turn all burner controls to the off position. Turn gas supply valve on.

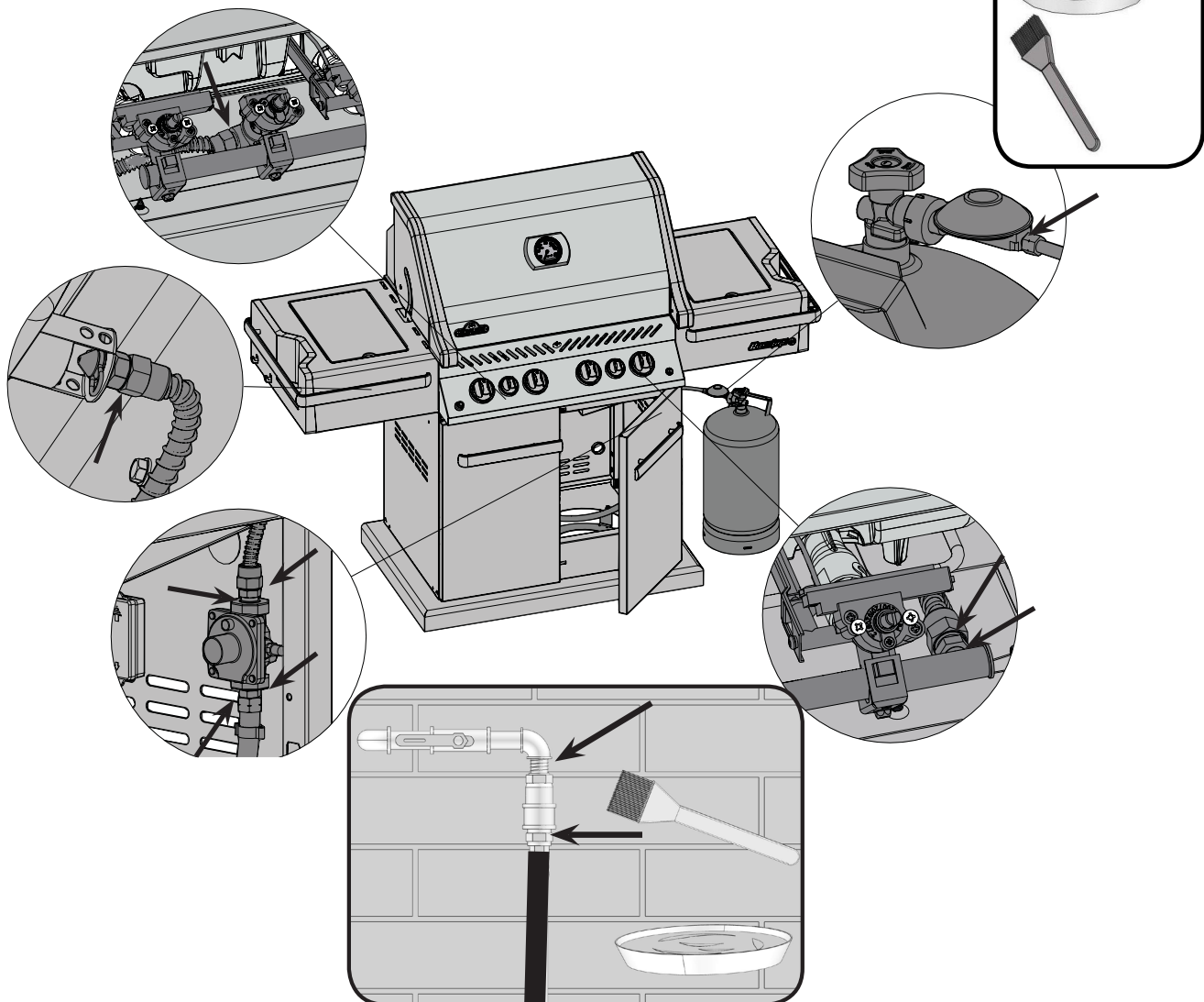


Brush a half-and-half solution of liquid soap and water onto all joints and connections of the regulator, hose, manifolds and valves.

Bubbles will indicate a gas leak. Either tighten the loose joint or have the part replaced with one recommended by the Napoleon Customer Solutions department and have the grill inspected by a certified gas installer.



If the leak cannot be stopped, immediately shut off the gas supply, disconnect it, and have the grill inspected by a certified gas installer or dealer. Do not use the grill until the leak has been corrected.



Anleitung Für Die Leckageprüfung



ACHTUNG! Ein Leckagetest muss vor der ersten Benutzung, jährlich und nach Auswechseln oder Warten eines Gasbauteils durchgeführt werden.



ACHTUNG! Während der Prüfung ist Rauchen verboten. Alle Zündquellen sind zu entfernen.



Leckageprüfung: Ein Leckagetest muss vor der ersten Benutzung, jährlich und nach Auswechseln oder Warten eines Gasbauteils durchgeführt werden. Während der Prüfung ist Rauchen verboten. Alle Zündquellen sind zu entfernen. Die zu prüfenden Stellen sind auf der Leckageprüfzeichnung aufgeführt. Alle Brenner abstellen. Flaschenventil aufdrehen.

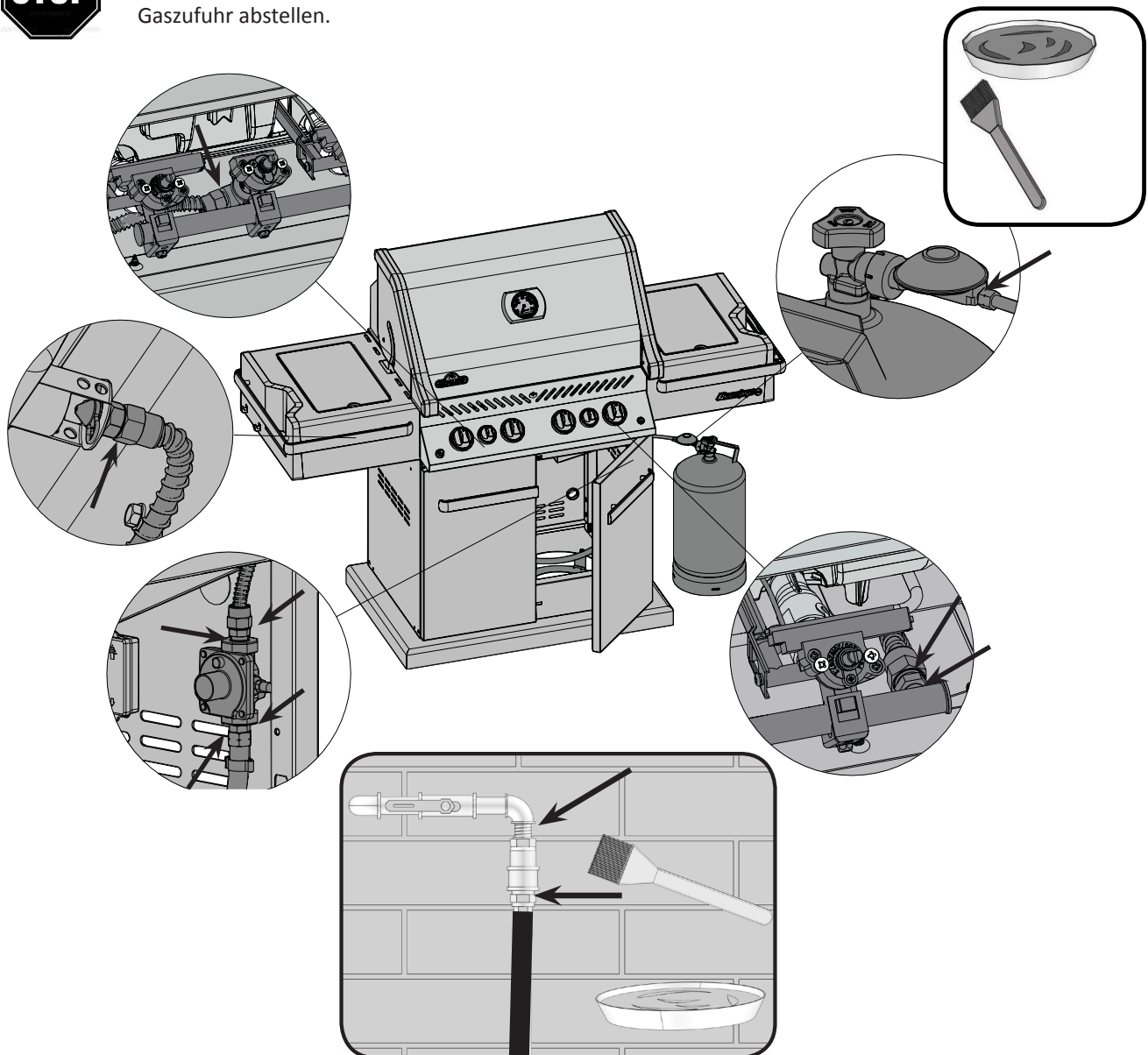


Seifenwasser (halb Wasser, halb Flüssigseife) auf alle Anschlüsse und Verbindungen an Regler, Schlauch, Verteiler und Ventile auftragen.



Leckagen werden durch Blasenbildung angezeigt. Leckage durch Festdrehen des Anschlusses oder Austausch des Teils durch ein vom Händler empfohlenes Teil beseitigen.

Bleibt die Leckage bestehen, Flaschenventil zudrehen, Regler abnehmen und Grill vom Gaslieferanten oder Händler untersuchen lassen. Das Gerät darf erst wieder benutzt werden, wenn die Leckage behoben ist. Gaszufuhr abstellen.



PARTS LIST / Stückliste

Item	Part #	Description	50ORSIB
1	N135-0036N	left side lid casting	x
2	N135-0037G	right side lid casting	x
3	N715-0091	trim left side lid casting	x
4	N715-0092	trim right side lid casting	x
5	N335-0069	stainless steel lid insert	x
6	N585-0080	lid heat shield	x
7	N385-0191	NAPOLEON logo	x
	N450-0044	logo spring clips	x
	N510-0013	black silicone lid bumper	x
8	N080-0253G	lid handle cover	x
9	N570-0013	#8 x 5/8" screw	x
10	N570-0015	lid pivot screw	x
11	N735-0002	1/4" lock washer	x
12	N570-0024	1/4-20 x 1/2" screw	x
13	N520-0035	warming rack	x
14	N350-0069	rear burner housing (infra-red)	x
15	N100-0045	rear burner	x
16	N305-0085	cooking grids - wave stainless rod	x
17	N305-0082	sear plate	x
18	N080-0283	cross light bracket	x
19	N200-0096-GY1SG	back cover	x
20	N240-0001	rear burner electrode	x
21	N100-0044	main burner	x
22	N380-0020-RD	burner control knob small	x
23	N380-0021-CL	burner control knob large	x
24	N051-0012	control knob bezel small	x
25	N051-0011	control knob bezel large	x
26	N010-0714	manifold assembly	p
	N010-0715	manifold assembly	n
	N240-0029	valve electrode	x
27	N357-0014	electronic ignition	x
28	N570-0086	#14 x 1/2" screw	x
29	N685-0004C	temperature gauge	x
30	N335-0048-M02	side burner lid	x
	Z715-0001	trim lid bumper	x
31	N590-0189	cutting board	x
32	N185-0003	ice bucket	x
33	N010-0730	stainless steel side shelf, right	x
	N385-0144	prestige logo	x
	N450-0044	logo spring clips	x
	N385-0185	pro logo	x
34	N120-0014G	side shelf end cap, right	x
35	N570-0038	1/4-20 x 1/2" screw	x
36	N570-0087	1/4-20 x 7/8" screw	x
37	N325-0064	shelf handle side	x
38	N325-0063	shelf handle front	x

PARTS LIST / Stückliste

Item	Part #	Description	500RSIB
39	N305-0076	side burner grate	x
40	N010-0612	side burner	x
41	N010-0618	side burner plate	x
42	N570-0042	screw 10-24 x 3/8"	x
43	N455-0062	side burner orifice #60	p
	N455-0063	side burner orifice 1.45mm	n
44	N160-0023	side burner hose orifice retainer clip	x
45	N120-0013G	side shelf end cap, left	x
46	N010-0729	stainless steel side shelf, left	x
47	N710-0063	side burner drip pan	x
48	N475-0301-M06	rotisserie mount	x
49	N570-0068	#14 x 1/2" screw stainless steel	x
50	N485-0009	push pin	x
51	N475-0300	control panel	x
52	N475-0273G	left/right cart enclosure panel	x
53	N475-0297-GY1SG	rear cart enclosure panel	x
54	N525-0035-GY1SG	cross beam top	x
55	N010-0726	cart door - stainless steel	x
56	N325-0065	door handle	x
57	N105-0015	bushing door handle	x
58	N525-0038-GY1SG	cross beam bottom	x
59	N555-0029	door pivot rod	x
60	N080-0288	bracket, door adjust	x
61	N080-0254G	propane tank inhibitor bracket	p
62	N590-0231-GY1SG	bottom shelf	p
	N590-0223-GY1SG	bottom shelf	n
63	N010-0702-GY1SG	tank support	p
64	N430-0002	magnetic catch	x
65	N510-0006	caster plug - each	x
66	N130-0010	caster - each	x
67	N010-0743	drip pan	x
68	N720-0044	manifold flex connector	x
69	N530-0032	regulator -Germany	p
	N530-0033	regulator -Holland	p
	N530-0034	regulator -Spain/Finland/Norway/Denmark	p
	N530-0035	regulator -Sweden	p
	N530-0036	regulator -Italy	p
	N530-0037	regulator -United Kingdom	p
	N530-0038	regulator -France	p
	N530-0039	regulator -Hungary	p
	N530-0042	regulator -Switzerland	p
	N530-0043	regulator -Russia	p
	N530-0044	regulator -Poland	p
	N530-0046	regulator -Czech Republic	p
70	W445-0021	union fitting 3/8" - 3/8"	x
71	N105-0012	1.5 " snap bushing	x

PARTS LIST / Stückliste

Item	Part #	Description	500RSIB
72	N450-0025	1/4" - 20 nut	x
73	N135-0049-GY1HT	base casting	x
74	N080-0282-GY1HT	bracket, unit mounting	x
75	N105-0001	7/8 " snap bushing	x
76	N135-0015G	left side hood casting	x
77	N335-0066-BK2GL	hood insert	x
78	N135-0016G	right side hood casting / moulage droite du couvercle	x
	N570-0008	#8 x 1/2" screw / vis #8 x 1/2"	x
	N570-0012	carriage bolt, 1/4"-20 X 5/8	x
	W735-0011	3/4" washer / rondelle 3/4"	x
	N450-0006	1/4" - 20 nut / écrou 1/4" - 20	x
79	N160-0014	grease tray holder	x
80	N710-0062	grease tray aluminium	x
81	N585-0025-GY1SG	heat shield	p
82	N590-0164	condiment basket	x
83	N010-0725	lid handle	x
84	N720-0058	rear burner supply tube	x
	N455-0055	rear burner orifice 1.25mm	p
	W456-0050	rear burner orifice #50	n
85	N190-0001	battery pack	x
86	N240-0026	side burner electrode	x
87	N750-0016	electronic ignition lead	x
88	N720-0055	side burner supply tube	x
89	N325-0080	handle drip pan	x
90	N570-0032	#8 x 3/8" screw	x
91	N570-0078	M4 X 8mm screw	x
92	N750-0021B	wiring harness	x
93	N660-0002	light switch	x
94	N215-0011	grease deflector	x
95	N530-0023-SER	regulator step down	p
	N530-0026-SER	regulator step down	n
96	N255-0014	fitting	x
	N020-0142	main assembly baggie	x
	N215-0012	wind deflector	ac
	65213	rotisserie kit -UK	ac
	65212	rotisserie kit - CE	ac
	65233	rotisserie kit commercial -UK	ac
	65232	rotisserie kit commercial - CE	ac
	68171	vinyl cover	ac
	56018	stainless steel griddle	ac
	56040	cast iron griddle	ac
	67731	charcoal tray	ac
	62007	grease trays foil (5 pieces)	ac

x - standard

ac - accessory

x - standard

ac -Zubehör

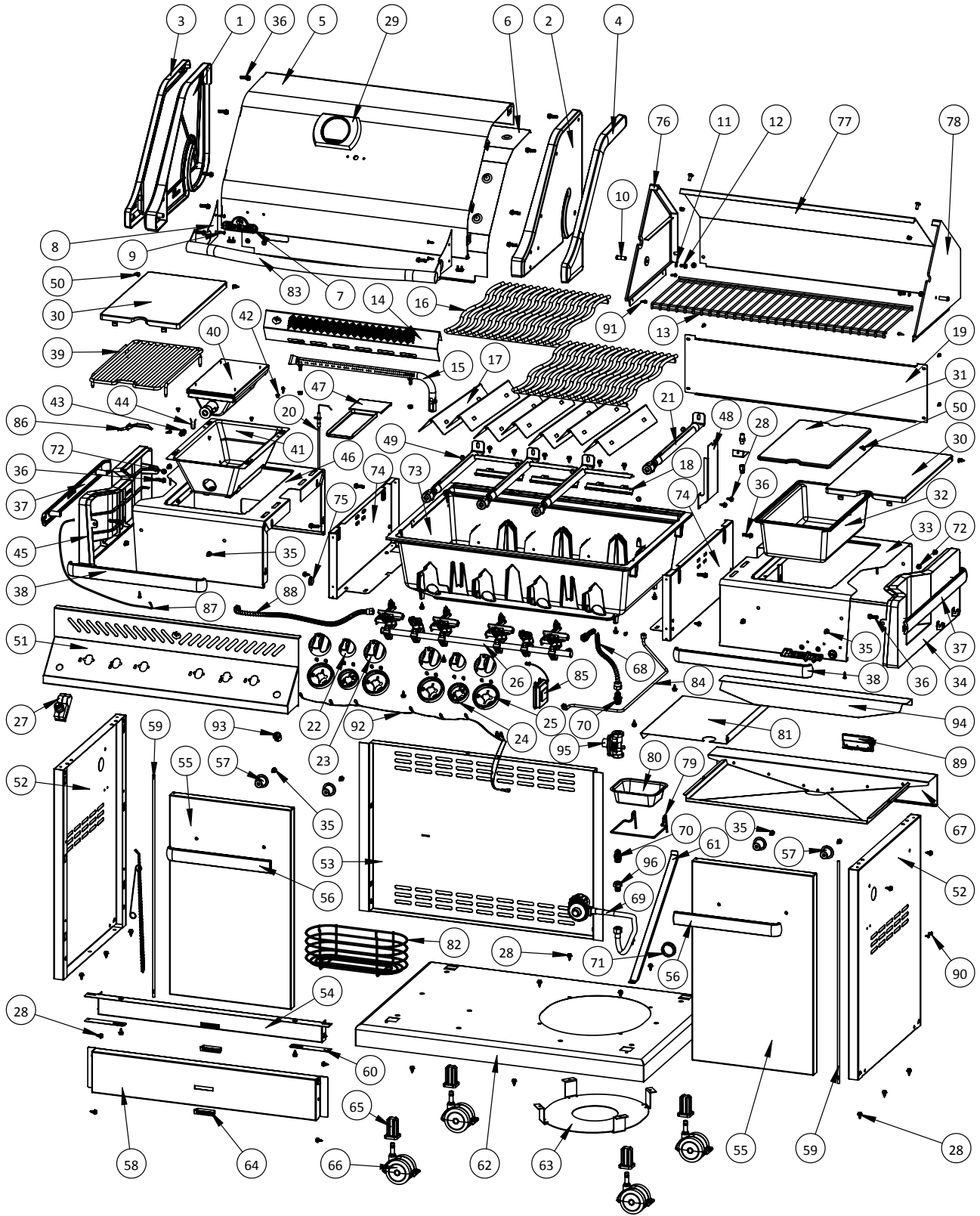
p - propane units only

n - natural gas units only

n - Erdgas

p - Propan

PRO500RSIB





N415-0248CE-GB-DE