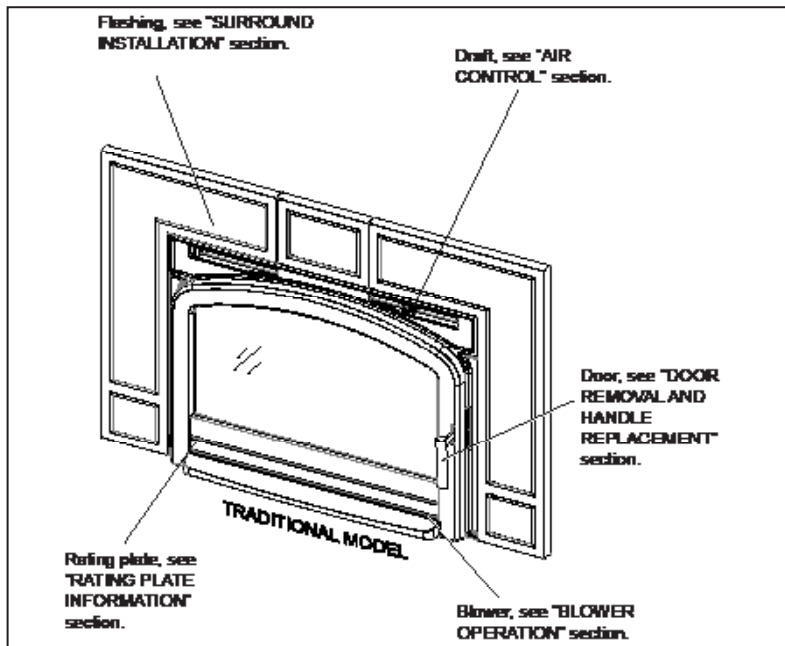


OAKDALE™ WOOD BURNING INSERT

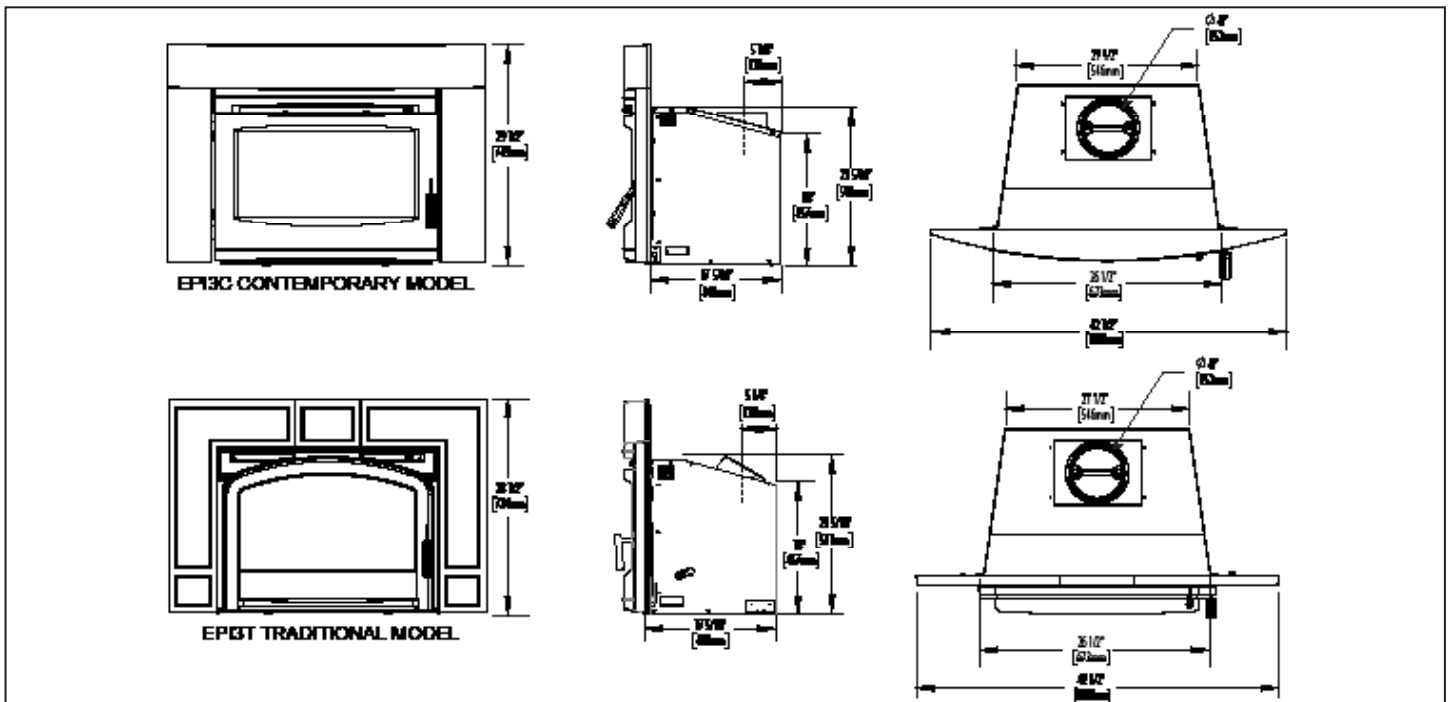
Specifications

Model	BTU	Width		Height		Depth		Capacity	Glass
		Unit	Chamber	Unit	Chamber	Unit	Chamber		
EPI3C	55,000	26 1/2"	20 7/8"	21 5/16"	11 1/2"	17 5/16"	13 3/4"	1.8 Cubic Feet	12 X 25
EPI3T	55,000	26 1/2"	20 7/8"	21 5/16"	11 1/2"	17 5/16"	13 3/4"	1.8 Cubic Feet	12 X 25

Overview



Dimensions



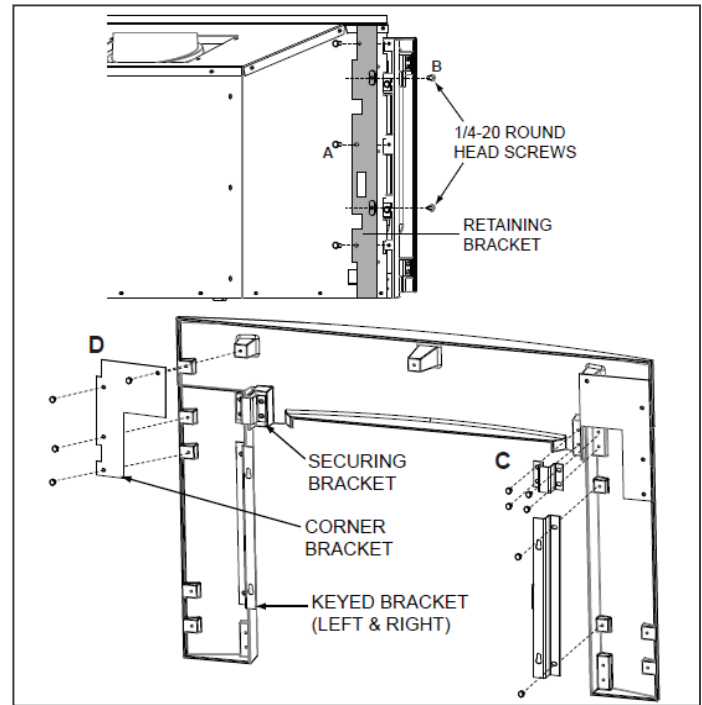
OAKDALE™ WOOD BURNING INSERT

Clearances

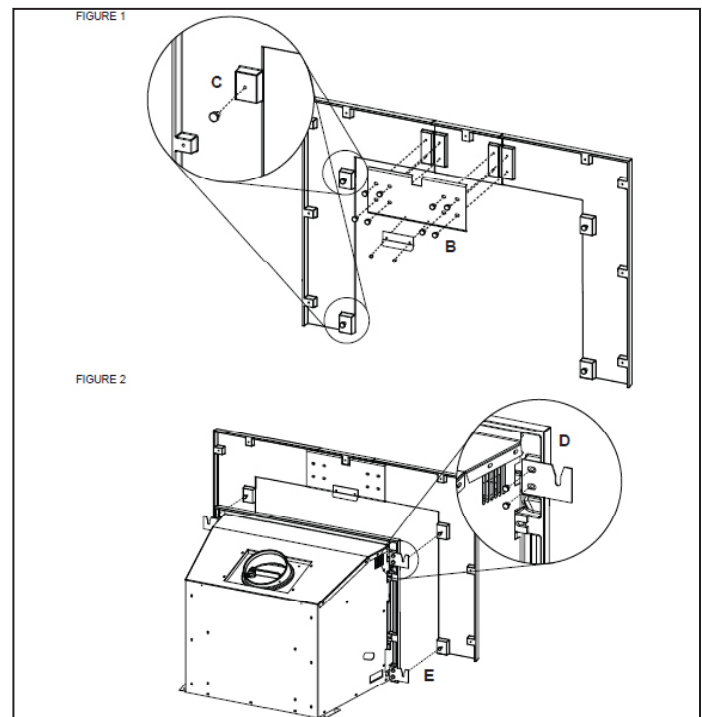
Minimum Clearances to Combustibles

MINIMUM CLEARANCES		
A	Sidewall	12" (30.5cm)
B	Mantel	16" (40.6cm) 12" (30.5cm) Projection
C	Top facing	16" (40.6cm)
D	Side facing	6" (152mm)
E	Hearth (front)	Canada 18" (45.7cm) USA 16" (40.6cm)
F	Hearth (side)	8" (203mm)
G	In front of insert	48" (121.9cm)
MINIMUM APPLIANCE OPENING		
H	Width (rear)	23" (58.4cm)
I	Width (front)	28" (71.1cm)
J	Height (front)	22" (55.9cm)
K	Height (rear)	19" (48.3cm)
L	Depth	18" (45.7cm)
M	Hearth depth	Canada 22" (55.8cm) USA 20" (50.8cm)
N	Hearth width	46" (116.8cm)
O	Facing width	54 1/2" (138.4cm)
P	Facing height	Contemporary 45 1/2" (115.5cm) Traditional 44 1/2" (113 cm)
Q	Mantel	Contemporary 45 1/2" (115.5cm) Traditional 44 1/2" (113cm)
R	Height of top surface	Contemporary 29 1/2" (74.9cm) Traditional 28 1/2" (72.3cm)
S	Side facing	13 1/4" (33.6cm)
T	Hearth (side)	9" (22.8cm)
U	Sidewall	13" (33cm)

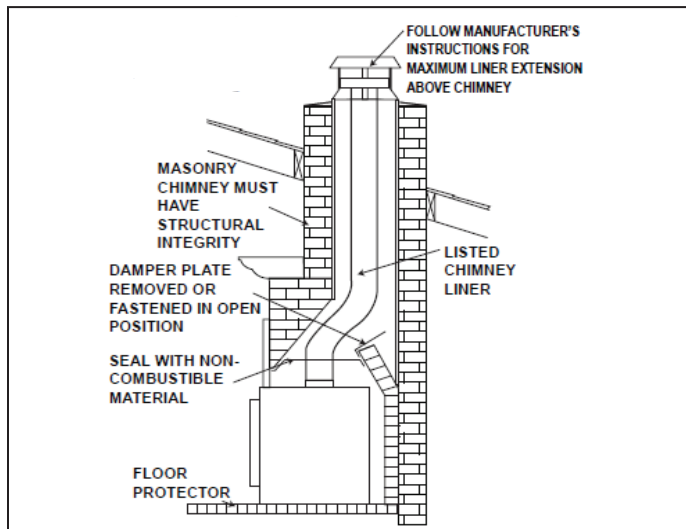
Surround Install Contemporary Cast



Surround Install Traditional Cast



Typical Existing Masonry



Product information provided is not complete and is subject to change without notice. Please consult the installation manual for the most up to date installation information.