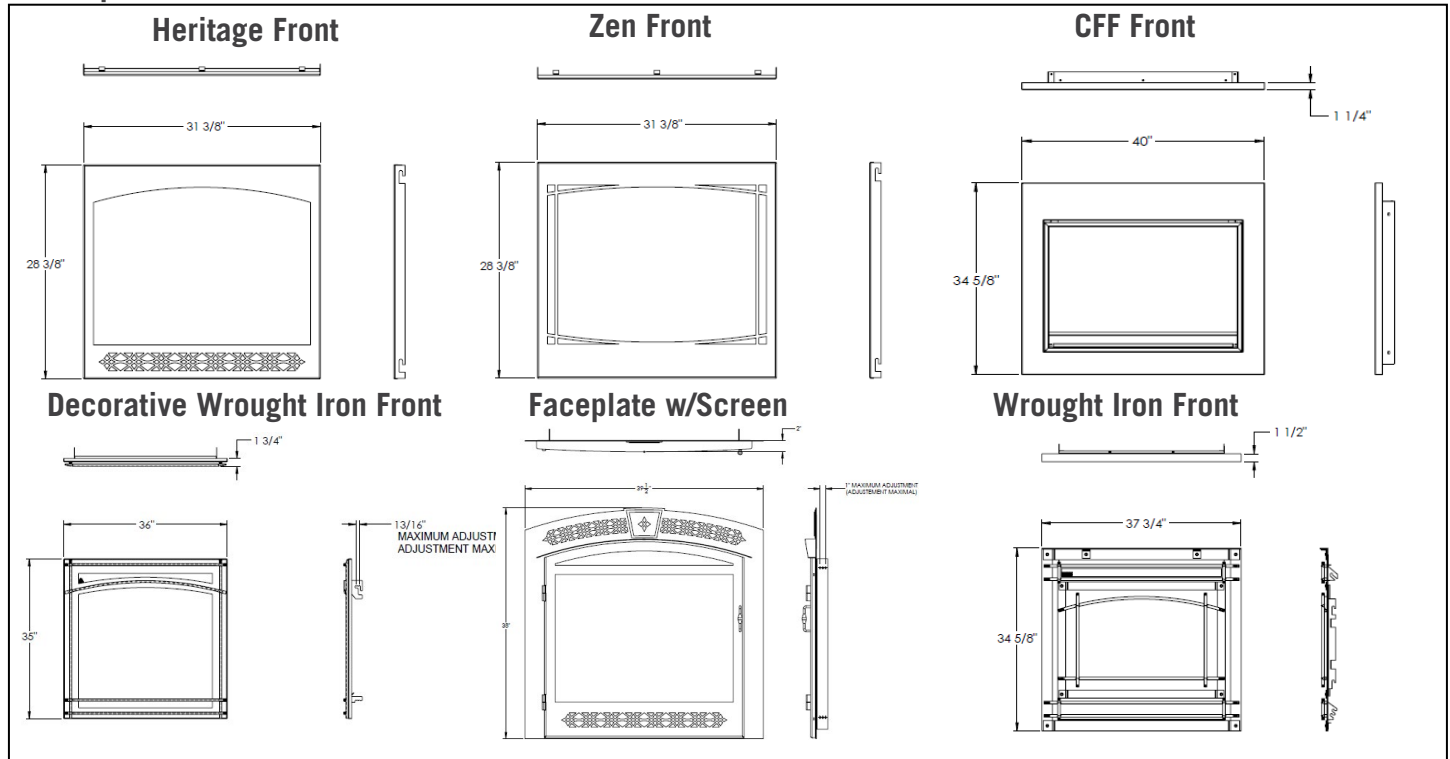


ASCENT™ X 70 DIRECT VENT GAS FIREPLACE

Specifications

Model	BTU	Width		Height		Depth		Glass
		Actual	Framing	Actual	Framing	Actual	Framing	
GX70	35,000	35	35 1/2	34 5/8	39 5/8	18 1/2	18 9/16	23 11/16 X 30 11/16

Front Options



Minimum Framing Clearances

Maintain these minimum clearances to combustibles from appliance and vent surfaces:

Appliance framing:
Use steel stud framing provided.

Non-Combustible Appliance finishing:

- Front - 3" (76mm) to sides of appliance opening
- 6 3/4" (171.5mm) above appliance opening

Combustible Appliance finishing:

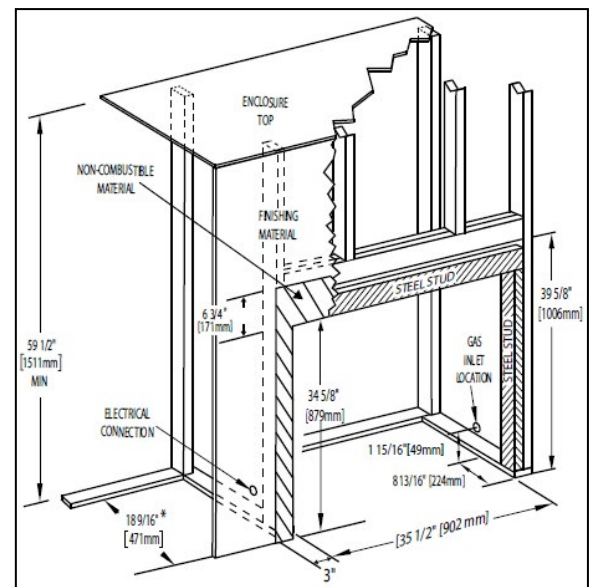
- 59 1/2" (1511mm) from bottom of appliance to enclosure top
- 3" (76mm) to top of vent pipe*
- 2" (51mm) to sides and bottom of vent pipe*

Non-combustible finishing material (ie. cement board, brick, stone, tile) must be used to finish the front of the appliance.

* **HORIZONTAL VENT SECTIONS:** A minimum of 2" (51mm) at the bottom and sides and 3" (76mm) at the top of the vent pipe on all horizontal runs to combustibles is required. Use firestop spacer W010-1800 (supplied).

* **VERTICAL VENT SECTIONS:** A minimum of 1" (25mm) all around the vent pipe on all vertical runs to combustibles is required except for clearances in appliance enclosures. See "MINIMUM ENCLOSURE CLEARANCES" section. Use firestop spacer W500-0096 (not supplied).

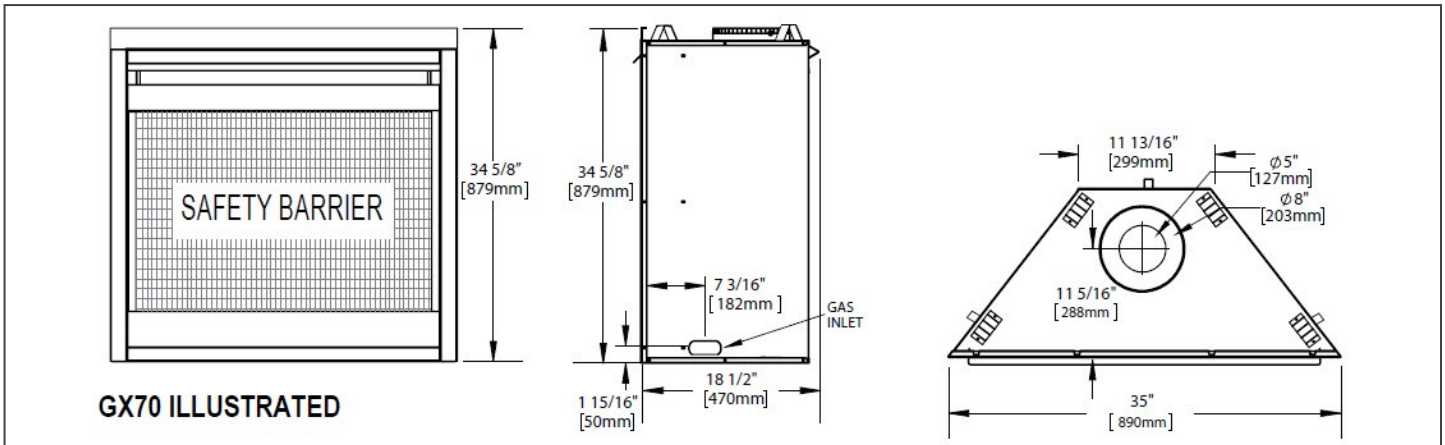
Minimum Framing Clearances



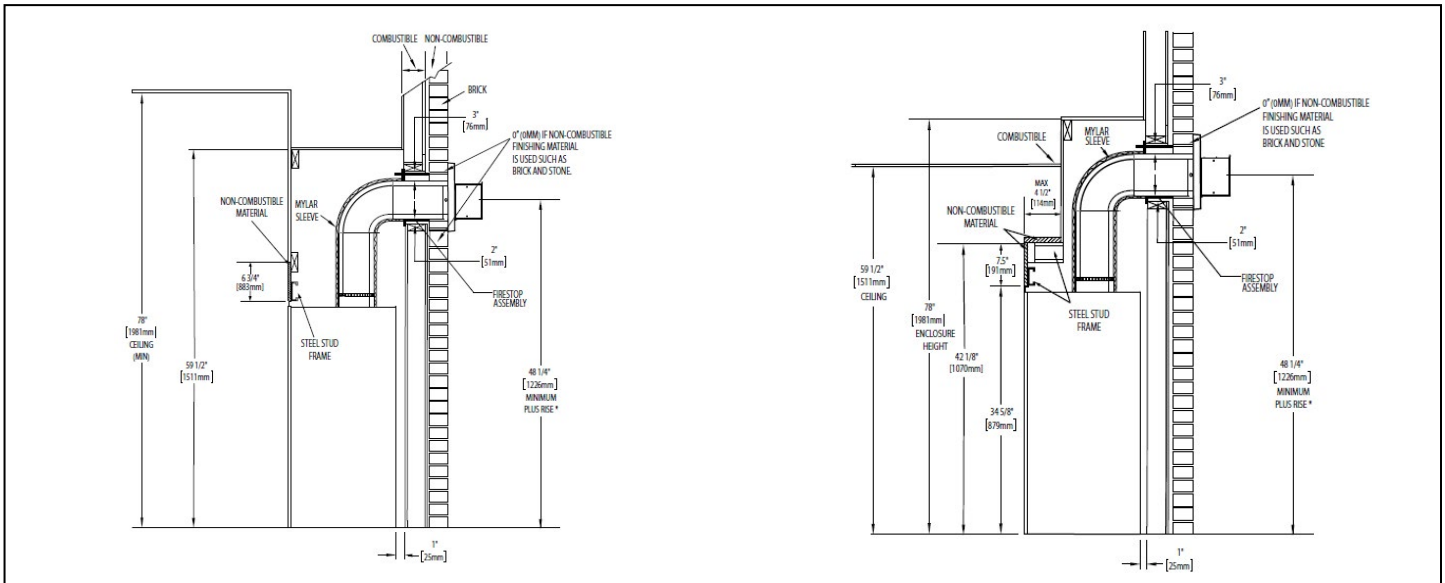
ASCENT™ X 70 DIRECT VENT GAS FIREPLACE

Product information provided is not complete and is subject to change without notice. Please consult the installation manual for the most up to date installation information.

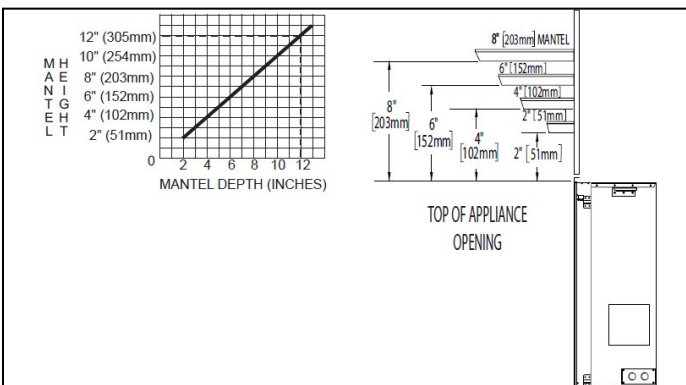
Dimensions



Wall Penetration



Combustible Mantel Clearances



Appliance Location

