



Stoves & Inserts

Gas

continentalfireplaces.com





Shown with deluxe 6" flashing kit in painted black, louvers in black and Porcelain Reflective Radiant Panels.

CDI-30 - Direct Vent Gas Insert

The value that a CDI-30 gas insert adds to your home is priceless! Outstanding efficiencies, up to 24,500 BTU's and a powerful heat circulating blower all contribute to the added benefit of eliminating drafts and heat loss in your existing fireplace. The CDI-30 installs perfectly into an inefficient wood burning masonry or pre-fabricated fireplace. Once installed, all you do is sit back and enjoy all the conveniences of direct vent gas technology!



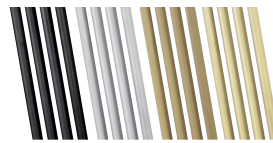
Andirons



Straight or Curved Safety Barrier



On/Off and Digital Remotes



Top Louvers Come Standard in Black, Bottom Louvers are Available in Black, Polished Brass, Antique Brass or Brushed Stainless Steel



Blower Comes Standard



Mineral Rock media kit



Decorative Porcelain Reflective Radiant Panels



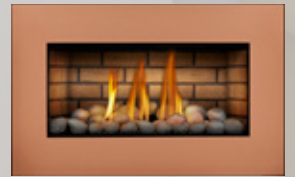
Decorative Sandstone Panels



Brushed Nickel Faceplate



Black Faceplate



Brushed Copper Faceplate



Arched Cast Iron Surround



Beveled Flashing



Cast Iron Surround available in black and porcelain enamel Majolica brown



Deluxe Flashing Kit available in 6" and 9"



Shown with 6" basic flashing kit in black and black louvers.

CBI360 - Natural Vent Gas Insert

The CBI360 is specifically designed to fit smaller wood burning zero clearance fireplaces and comes complete with a heat activated variable speed blower system. The CBI360 comes standard as a flush mount model, but also has decorative options including faceplates, flashings, trims, non-arched cast iron surround and an arched cast iron surround kit.



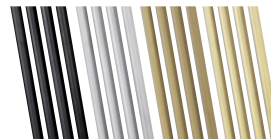
Andirons



Straight or Curved Safety Barrier



On/Off and Digital Remotes



Top Louvers Come Standard in Black, Bottom Louvers are Available in Black, Polished Brass, Antique Brass or Brushed Stainless Steel



Blower Comes Standard



Decorative Porcelain Reflective Radiant Panels



Decorative Sandstone Panels



Black Faceplate



Brushed Copper Faceplate with Basic Flashing Kit available in 6" or 9"



Brushed Nickel Faceplate with Deluxe Flashing Kit available in 6" or 9"



Arched Cast Iron Surround in black



Bevelled Flashing



Cast Iron Surround Kit available in black and porcelain enamel Majolica brown



Shown with 4-sided aluminum extrusion kit, 4-sided backerplate and Porcelain Reflective Radiant Panels.

CDIZC - Direct Vent Gas Insert

Accommodates the smallest fireplace openings but still provides an impressive 400 sq. in. viewing area! Designer options include three sided aluminum extrusion and contemporary trim kit, four sided aluminum extrusion, decorative faceplates, three and four sided backerplates and a cast iron surround kit.



Brushed Nickel Faceplate with
3-Sided Aluminum Extrusion



Brushed Copper Faceplate with
4-Sided Aluminum Extrusion



Black Faceplate with
Contemporary Kit



Brushed Nickel Faceplate with 3-Sided
Aluminum Extrusion and 3-Sided Backerplate



Brushed Copper Faceplate with 4-Sided
Aluminum Extrusion and 4-Sided Backerplate



Cast Iron Surround Kit in Painted Black



Andirons



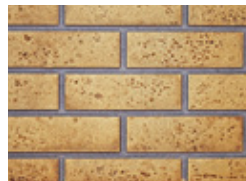
On/Off and Digital Remotes



Blower Comes Standard



Porcelain Reflective
Radiant Panels



Decorative Sandstone Panels



Shown with door and accent bar in painted metallic black finish.

CDVS280 - Direct Vent Gas Stove

This stove may be compact in stature, but not in power! If you have limited space but still desire the beauty, warmth and conveniences of a gas stove, the CDVS280 is the answer. Offering a variable heat range up to 30,000 BTU's, you control the exact amount of heat needed. The precisely engineered burner system produces unique YELLOW DANCING FLAMES[®] which fill your room with a warm, inviting glow. This extraordinary small stove delivers great peace of mind.



Black Door and Accent Bar



Gold Plated Door and Accent Bar



Satin Chrome Door and Accent Bar



Blower Comes Standard



B-Vent Adapter Kits



Andirons



On/Off and Digital Remotes



Shown with door and accent bar in painted metallic black finish.

CDVS500 - Direct Vent Gas Stove

The CDVS500 offers a three burner system - the third tube burner "turbo boosts" the heating power like no other stove in the industry. It operates independently to supply an additional 14,000 BTU's on top of the already impressive 30,000 BTU's. Create the right amount of heat you need. Safe, clean burning and high efficiencies make this stove a valuable addition to your home.



Blackl Door and Accent Bar



Gold Plated Door and Accent Bar



Satin Chrome Door and Accent Bar



Blower Comes Standard



B-Vent Adapter Kits



Andirons



On/Off and Digital Remotes



Shown in standard painted metallic black finish.

CDVS600 - Direct Vent Gas Stove

Here is the perfect blend of traditional design and advanced gas performance. The CDVS600 allows you to express your style and capture a look of elegance while at the same time, provides a comfortable range from 21,000 BTU's to a hearth warming 35,000 BTU's. Direct vent converts easily from top to rear vent making installation possibilities endless.



Painted metallic black decorative trivet comes standard



Andirons



On/Off and Digital Remotes



Optional Blower



B-Vent Adapter Kits



Porcelain Reflective Radiant Panels



Decorative Sandstone Panels



CDVS600



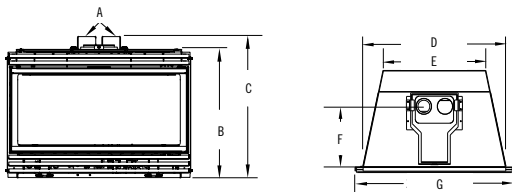
CDI-30

Features & Benefits

- 371 sq. in. glass area
- No electricity required to light or operate - millivolt system ensures reliable use even during power failures
- Exclusive PHAZER® log set with glowing embers standard
- Porcelain Reflective Radiant Panels
- Faceplates available in brushed nickel, brushed copper and painted black
- 100% SAFE GUARD® automatic gas shut off for your peace of mind
- Hinged, heat radiating ceramic glass door
- Impressive 85% Steady State maximum efficiency
- Heat circulating blower with variable speed control and on/off switch
- Optional remote with digital read out
- Optional decorative accessories available to transform your gas fireplace insert to the exact design you need
- Optional painted black riser box available to raise the unit to accommodate larger fireplace opening dimensions
- Bedroom, bathroom, bed sitting room and mobile home approved

	CDI-30
BTU's (Input)	24,500
Venting	Top 3" & 3"
Glass Type	Ceramic
Glass Size	
Height	13 5/16"
Width	27 7/8"
Efficiencies	
EnerGuide	64.5%
AFUE	60.02%
Steady State	85%
Dimensions (Height x Front Width x Depth)	
Minimum Opening	21 3/4" x 28" x 18"
Mobile Home Certified	Yes

* 2" optional liner for intake air



	A	B	C	D	E	F	G	H	I	J	K	L	M
CDI-30	3" DIA.	21 3/4"	23 1/8"	27 1/2"	19 1/8"	11 1/8"	30 1/8"	5 1/8"	13 3/4"	1 1/8"	13 3/4"	17 1/4"	18 3/4"

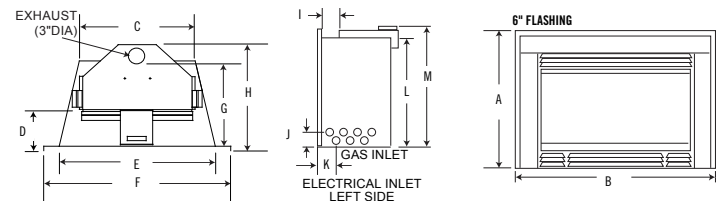


CBI360

Features & Benefits

- 350 sq. in. glass area
- No electricity required to light or operate - millivolt system ensures reliable use even during power failures
- Double flame stainless steel burner
- Exclusive PHAZER® log set with traditional glowing charcoal embers
- 76% Steady State maximum efficiency
- Heat circulating blower system with variable speed control and on/off switch comes standard
- 100% SAFE GUARD® automatic gas shut off for your peace of mind
- Heat radiating ceramic glass door provides clear view of the fire
- YELLOW DANCING FLAMES® fill the firebox with realistic flames
- Optional decorative accessories available to transform your fireplace insert to the exact design you need
- Optional bevelled flashing in a painted black finish with accent trim available
- Optional painted black riser box available to raise the unit to accommodate larger fireplace opening dimensions
- Optional remote with digital read out
- Bedroom and bed sitting room approved

	CBI360
BTU's (Input)	24,000
Venting	Top - Natural Vent (B) 3"
Glass Type	Ceramic
Glass Size	
Height	11 3/4"
Width	29 3/4"
Efficiencies	
EnerGuide	62.3%
AFUE	-
Steady State	76%
Dimensions (Height x Front Width x Depth)	
Minimum Opening	17 1/2" x 25 1/2" x 16 1/2"
Mobile Home Certified	No



	A	B	C	D	E	F	G	H	I	J	K	L	M
CBI360	27 1/2"	43"	18 1/2"	8"	25"	30 1/4"	13 1/2"	17 1/2"	7"	2 1/2"	3"	17 3/4"	22"



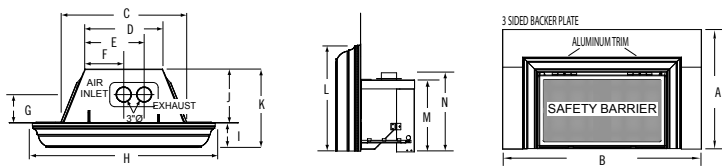
CDIZC

Features & Benefits

- 440 sq. in. glass area
- No electricity required to light or operate - millivolt system ensures reliable use even during power failures
- Exclusive PHAZER™ log set with traditional glowing charcoal embers
- 85% Steady State maximum efficiency
- Heat circulating blower system with variable speed control and on/off switch comes standard
- 100% SAFE GUARD™ automatic gas shut off for your peace of mind
- Heat radiating ceramic glass window provides a clear view of the fire
- YELLOW DANCING FLAMES® fill the firebox with realistic flames
- Three or four-sided aluminum extrusion trim kit available in painted textured satin black finish
- Three or four-sided backer plates
- Optional remote with digital read out
- Optional decorative accessories available to transform your unit to the exact design you need
- Bedroom, bathroom, bed sitting room and mobile home approved

	CDIZC
BTU's (Input)	24,000
Venting	Top 3" & 3"
Glass Type	Ceramic
Glass Size	
Height	15 5/8"
Width	28 1/8"
Efficiencies	
EnerGuide	65.5%
AFUE	65%
Steady State	85%
Dimensions (Height x Front Width x Depth)	
Minimum Opening	14 1/2" x 25" x 11"
Mobile Home Certified	Yes

2" optional liner for intake air



	A	B	C	D	E	F	G	H	I	J	K	L	M	N
CDIZC	27"	44 1/4"	25"	15 1/2"	11 3/4"	7 3/4"	5 1/2"	36"	4 3/16"	10 1/4"	15 1/2"	20 3/4"	14"	15 1/2"

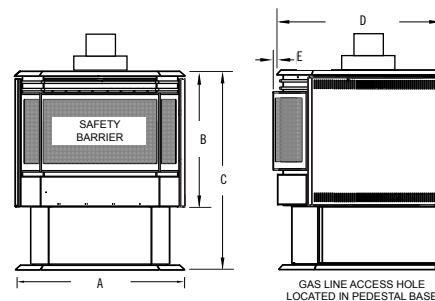


CDVS280

Features & Benefits

- 260 sq. in. glass area
- No electricity required to light or operate - millivolt system ensures reliable use even during power failures
- Includes heat activated variable speed blower
- Easy clean hinged door
- Exclusive PHAZER™ log set with traditional glowing charcoal embers
- Metallic black accent bar, ornamental inset and trivet come standard
- 85% Steady State maximum efficiency
- Stainless steel flex connector and shut off
- 100% SAFE GUARD™ automatic gas shut off for your peace of mind
- YELLOW DANCING FLAMES® fill the firebox with realistic flames
- Door available in metallic black, satin chrome plated or 24 Karat gold plated finishes
- Optional B-vent adapter kit available
- Optional remote with digital read out
- Bedroom, bathroom, bed sitting and mobile home approved

	CDVS280
BTU's (Input)	30,000
Venting	Top 4" & 7"
Minimum Clearances to Combustibles	
Corner	1"
Rear	2"
Sides	7"
Glass Type	Ceramic
Glass Size	
Height	11 3/8"
Width	24 1/2"
Efficiencies	
EnerGuide	57.4%
AFUE	65%
Steady State	85%
Mobile Home Certified	Yes



	A	B	C	D	E
CDVS280	22 1/2"	17 3/4"	26 3/4"	18 1/2"	1 3/4"

* B-vent adaptable.

Figures may vary with individual conditions such as floor plan layout, insulation value/heat loss of the house and geographical location. Consult your owner's manual for complete and up-to-date installation instructions and proper clearances to combustible materials

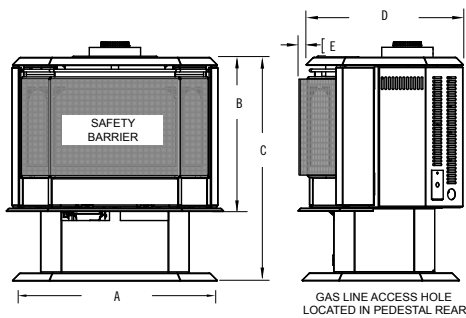


CDVS500

Features & Benefits

- 357 sq. in. glass area
- No electricity required to light or operate - millivolt system ensures reliable use even during power failures
- Triple burner "turbo boosts" the heating power to increase the already impressive 30,000 BTU's to 44,000 BTU's
- Includes heat activated variable speed blower
- Easy clean hinged door
- Exclusive PHAZER® log set with traditional glowing charcoal embers
- Metallic black accent bar, ornamental inset and trivet come standard
- 84% Steady State maximum efficiency
- Stainless steel flex connector and shut off
- 100% SAFE GUARD™ automatic gas shut off for your peace of mind
- Door available in metallic black, satin chrome plated or 24 Karat gold plated finishes
- Optional B-vent adapter kit available
- Optional remote with digital read out
- Bedroom, bathroom, bed sitting and mobile home approved

	CDVS500
BTU's (Input)	44,000
Venting	Top* 4" & 7"
Minimum Clearances to Combustibles	
Corner	1"
Rear	2"
Sides	7"
Glass Type	Ceramic
Glass Size	
Height	13 7/8"
Width	25 3/4"
Efficiencies	
EnerGuide	70%
AFUE	67%
Steady State	84%
Mobile Home Certified	Yes



	A	B	C	D	E
CDVS500	28 3/4"	21"	30 3/4"	21 3/4"	2"

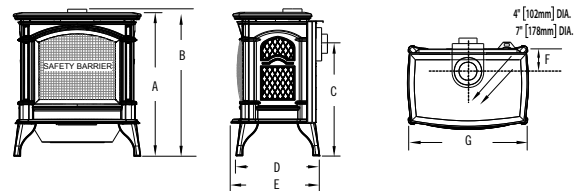


CDVS600

Features & Benefits

- 394 sq. in. glass area
- Fuel saving electronic ignition with battery back-up and on/off switch
- Larger viewing area with its new updated design
- Elegant arched front and a sleek, sophisticated outer casting design
- ACS (Anti-Condensation Switch) controls pilot usage for cold climate installations
- Exclusive PHAZER® log set with traditional glowing charcoal embers
- Built-in adjustable flame/heat control for maximum comfort and efficiency
- Decorative cast iron trivets for rear vent installations (available in painted black finish)
- Optional remote with digital read out
- Optional decorative accessories available to transform your stove to the exact design you need
- Optional B-vent adaptor kit
- Optional heat circulating blower kit with variable speed
- Bedroom, bathroom, bed sitting room and mobile home approved

	CDVS600
BTU's (Input)	35,000
Venting	Top*/ Rear 4" & 7"
Minimum Clearances to Combustibles	
Corner	2"
Rear	6"
Sides	6"
Glass Type	Ceramic
Glass Size	
Height	18 3/4"
Width	21"
Efficiencies	
EnerGuide	63.1%
AFUE	64%
Steady State	78%
Mobile Home Certified	Yes



	A	B	C	D	E	F	G
CDVS600	30 3/4"	37"	24"	17 3/4"	19 1/2"	5 1/2"	27"

QUALITY PROMISE

All Continental® products are built to the strictest quality standards and only the highest grade materials are used. The computerized production processes, pride in workmanship and serious commitment to our achieved ISO9001-2008 certification, ensure many years of dependable performance.

VERSATILE INSTALLATION

Install in your home above or below grade, in any room even in bedrooms, bathrooms and kitchens. Direct vent models can be vented up to 20 feet horizontally through a wall, 40 feet vertically through the roof or below grade with a periscope. For all direct vent fireplaces we offer the smallest, architecturally pleasing vent terminal in the industry.

MAXIMUM EFFICIENCY

Our sealed combustion technology in our direct vent models uses outside air for combustion eliminating heat loss and cold drafts associated with conventional fireplaces. All Continental® models are designed to maximize efficiency levels with special heat retaining components.

CONVENIENCE

If all the conveniences of gas fireplaces aren't enough, enjoy full relaxation with Continental's remote controls. Available with an easy-to-read backlit digital readout of the room temperature and includes a child proof safety lock.

A RELIABLE ECONOMICAL HEATING SOURCE

Continental® products can save home heating costs by as much as 30% (Zone Heating by heating the rooms you use most) and provide reliable heat during power failures. No power? No problem! Continental's built-in millivolt system or electronic ignition with battery back-up requires no electricity to light or operate.

SAFETY FEATURES

100% SAFE GUARD™ gas control system automatically and quickly shuts off the gas supply for your peace of mind.

HEAT TRANSFERRING CERAMIC GLASS

Ceramic glass provides an excellent temperature transfer allowing maximum heat to radiate into the room. Some models use heat resistant tempered glass.

REALISTIC CERAMIC FIBRE LOGS

Continental's configuration of realistic logs create a cozy and natural wood burning atmosphere.

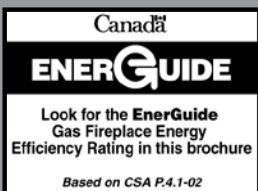
RELIABLE BURNER SYSTEM & ADJUSTABLE FLAME

Our advanced YELLOW DANCING FLAMES® provide maximum heat and flame pattern. For less heat, simply reduce the input with the built-in flame/heat adjustment for maximum comfort and efficiency.

ENVIRONMENTALLY FRIENDLY

Clean burning, convenient natural gas or propane provides an environmentally safe energy source - indoors and outdoors. Continental® products are designed to provide an environmentally friendly energy source.





ENERGUIDE - A Canadian efficiency standard based on frequent, short start-up and cool-down cycles. All appliances sold in Canada are subject to this EnerGuide rating system. AFUE - A US efficiency standard (Department of Energy) based on extended on/off cycles, more typical of fireplace usage. STEADY STATE - Reflects the highest possible overall heating efficiency. Years of research, design and testing have enhanced optimum performance allowing Continental products to achieve some of the highest heater rating efficiencies on the market. Our products continuously surpass industry standards not only in appearance but in efficiency and performance.

Consult your owner's manual for complete installation instructions, accurate framing dimensions and proper clearances to combustible materials. Installations shown may not be accurate to code. Check all local and national building codes and gas regulations. Products may not be exactly as shown. Flame height and activity is influenced by varying vent configurations and may not appear as shown. All specifications are subject to change without prior notice due to on-going product improvements. BTU's listed in brochure reflect natural gas applications. Continental is a registered trademark of Wolf Steel Ltd. © Wolf Steel Ltd.



- 103 Miller Drive, Crittenden, Kentucky, USA 41030
- 24 Napoleon Road, Barrie, Ontario, Canada L4M 0G8
- 7200 Trans Canada Highway, Montreal, Quebec, Canada H4T 1A3

Tel: (705) 721-1212 Fax: (705) 722-6031
continentalfireplaces.com



Authorized Dealer



ADBRC355- 09/2016