



Fireplaces

Gas

continentalfireplaces.com





Shown with Standard Safety Barrier and Topaz Glass Embers.

CL38 / CL38ST

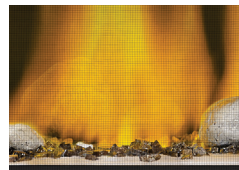
The CL38 linear gas fireplaces are the perfect choice for homeowners, remodelers and custom builders, with a multitude of designer options you can easily customize the look of your fireplace! Choose a single sided or maximize optimal viewing with the see-thru model. With Continental's CL38 and CL38ST you are sure to enjoy your new fireplace to the fullest.



Alternate Glass Media Kits & Glass Enhancement Kits - Six Colors Available
Blue, Amber, Black, Red, Clear. Topaz included.



Digital Remotes



Shore Fire Kit



Mineral Rock Kit



Beach Fire Kit



MIRRO-FLAME[™] Porcelain
Reflective Radiant Panels



Standard Safety Barrier



Classic Black Surround



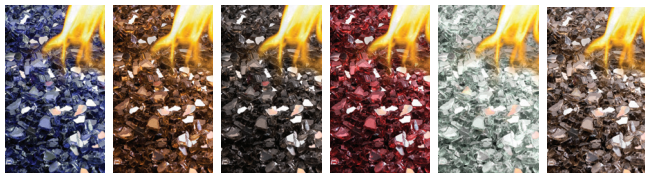
Stainless Steel Surround



Shown with Classic Black Front and Topaz Glass Embers.

CL50 / CL50ST

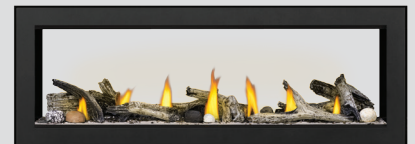
Continental's CL50 and CL50ST gas fireplaces are the perfect fit for great rooms and large family rooms or for anyone looking to make a statement in their home. Customize your fireplace with our selection of designer surrounds, choose a different one for either side of the See-Thru units to match or enhance your current décor. These linear fireplaces can also be dressed to match any room, with dozens of media options available the possibilities are endless.



Alternate Glass Media Kits & Glass Enhancement Kits - Six Colors Available
Blue, Amber, Black, Red, Clear, Topaz. Topaz included.



Digital Remotes



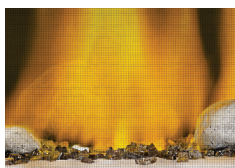
Standard Safety Barrier



Classic Black Surround



Stainless Steel Surround



Shore Fire Kit



Mineral Rock Kit



Beach Fire Kit



MIRRO-FLAME[™] Porcelain
Reflective Radiant Panels



Shown with Classic Black Surround, Beach Fire and Shore Fire Media Kit and MIRRO-FLAME™ Porcelain Reflective Radiant Panels.

CBL36-1

Continental's newly designed slim surround option are available in black and stainless steel and a multitude of optional features, this unit can be dressed to match an existing room decor or can be stylized to be a focal point in your room. It comes standard with an exclusive Topaz CRYSTALINE™ ember bed that can be switched out for a completely new look and feel with the Shore Fire, Beach Fire and Mineral Rock kits, which include a variety of rocks, sand, logs and vermiculite.



Alternate Glass Media Kits & Glass Enhancement Kits - Six Colors Available
Blue, Amber, Black, Red, Clear. Topaz included.

MIRRO-FLAME™ Porcelain Reflective Radiant Panels

Digital Remotes



Shore Fire Kit

Mineral Rock Kit

Beach Fire Kit

Blower



Standard Safety Barrier



Classic Black Surround



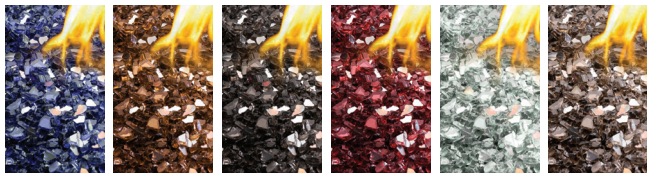
Stainless Steel Surround



Shown with Classic Black Surround Topaz Glass Embers and MIRRO-FLAME™ Porcelain Reflective Radiant Panels.

CBL46

The Continental CBL46 Linear Gas Fireplace will blend seamlessly with your décor or stand out as a stunning focal point. This fireplace is perfect for smaller spaces. A standard Topaz CRYSTALINE™ ember bed shimmers with a modern look, but can be customized with the Beach Fire, Shore Fire, or Mineral Rock enhancement kits. You can even mix and match for an even more unique style.



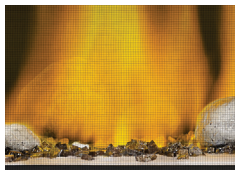
Alternate Glass Media Kits & Glass Enhancement Kits - Six Colors Available
Blue, Amber, Black, Red, Clear. Topaz included.



MIRRO-FLAME™ Porcelain Reflective Radiant Panels



Digital Remotes



Shore Fire Kit



Mineral Rock Kit



Beach Fire Kit



Blower



Standard Safety Barrier



Classic Black Surround



Stainless Steel Surround



Shown with Contemporary Decorative Front, 2" Trim Kit and Sandstone Decorative Brick Panels.

CX36

The Continental CX36 gas fireplace enhances the atmosphere in any room with the most realistic, exclusive PHAZER® log set and glowing ember bed. The clean face design of the CX36 maximizes optimal viewing to ensure your new fireplace is enjoyed to the fullest.



Decorative Sandstone Panels



MIRRO-FLAME® Porcelain Reflective Radiant Panels



Digital Remotes



Shore Fire Kit



Mineral Rock Kit



Beach Fire Kit



Blower



2" Trim Kit



Clean Face Front



3" Premium Bevelled Trim



Contemporary Front



Shown with the Faceplate with Operable Screen Door and Decorative Newport® Brick Panels.

CX70

The CX70 offers you a wide range of heat output and control with a remarkable flame/heat adjustment. The PHAZERAMIC™ advanced burner technology with infrared ember bed produces stunning YELLOW DANCING FLAMES™. With a large viewing area, a realistic PHAZER™ log set that is rich in color and detail and the exclusive NIGHT LIGHT™, the CX70 is a one of a kind fireplace that you will be proud to have friends and family enjoy.



Blower (included)



MIRRO-FLAME™ Porcelain Reflective Radiant Panels



Proflame II Remote (included)



Decorative Newport® Panels



Decorative Old Town Red® Panels



Decorative Herringbone Panels



2" Trim



3" Premium Bevelled Trim



Heritage Front



Zen Front



Clean Face Front



Faceplate with Operable Screen Door



Shown with 2" Trim Kit.

CB42

Continental's 42" fireplace has up to 22,000 BTU's. With this large of a firebox the CB42 is the perfect addition to rooms where an aesthetically pleasing look and feel is wanted, but plenty of cozy heat is required. With a multitude of designer options the CB42 can virtually create any desired look for the room of your choosing.



Decorative Sandstone Panels



Decorative Herringbone Panels



MIRRO-FLAME[™] Porcelain Reflective Radiant Panels



Digital Remotes



Shore Fire Kit



Mineral Rock Kit



Beach Fire Kit



Blower



2" Trim



3" Premium Bevelled Trim



Contemporary Front



Shown with MIRRO-FLAME™ Porcelain Reflective Radiant Panels

CB46

Continental's CB46 is now the largest single view fireplace in the CB Series and is offered as top and rear vent model depending on your installation. Offering a multitude of options with decorative fronts, trim kits, decorative brick panels and MIRRO-FLAME™ Porcelain Reflective Radiant Panels, the CB46 can be designed to your personal taste and match any home decor. An approved safety barrier comes included with the CB46.



Decorative Sandstone Panels



MIRRO-FLAME™ Porcelain Reflective Radiant Panels



Digital Remotes



Shore Fire Kit



Mineral Rock Kit



Beach Fire Kit



Blower



Contemporary Front



3" Premium Bevelled Trim



Shown with MIRRO-FLAME™ Porcelain Reflective Radiant Panels.

CB30

The Continental CB30 gas fireplace has endless opportunities and is ideal for builders and homeowners where space is limited. The clean face design of the CB30 maximizes the viewing area so that the realistic flames and the hand painted PHAZER® log set can be enjoyed to the fullest. The CB30 is equipped with an advanced burner technology and an approved safety barrier.



Blower



MIRRO-FLAME™ Porcelain Reflective Radiant Panels



Digital Remotes



Shore Fire Kit



Mineral Rock Kit



Beach Fire Kit



2" Trim Kit



Contemporary Front



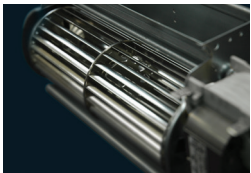
3" Premium Bevelled Trim



Shown with MIRRO-FLAME® Porcelain Reflective Radiant Panels.

CB36

This unit is so adaptable that it can be installed almost anywhere! The shallow depth, at less than 16" deep, allows for versatile installations where space is at a premium and is also ideal for corner applications. The clean face design of the CB36 maximizes the viewing area and ensures all the fine details of the hand painted PHAZER® log set and realistic flames are enjoyed by all who bask in its glow.



Blower



MIRRO-FLAME® Porcelain Reflective Radiant Panels



Digital Remotes



Shore Fire Kit



Mineral Rock Kit



Beach Fire Kit



2" Trim Kit



Clean Face Front



3" Premium Bevelled Trim



Contemporary Front



CBHD4ST shown with exclusive PHAZER® glowing log set.

CBHD4 Series - See Thru

Continental's CBHD4ST See Thru features two different firebox/burner options, a log burner & a linear Topaz glass burner (two different fireplace models). The CBHD4ST offers up to 30,000 BTU's, a massive viewing area, electronic ignition with a battery backup system with optional Designer Fire Art and decorative panels to match any room in your home.



Alternate Glass Media Kits & Glass Enhancement Kits - Six Colors Available
Blue, Amber, Black, Red, Clear. Topaz included.



Digital Remotes



Mineral Rock Media Kit



Designer Fire Art
Nickle Stix



Designer Fire Art
Metal Coil



MIRRO-FLAME® Porcelain
Reflective Radiant End Panels



Decorative Newport® Panels



Glass Ember Bed Burner



PHAZER® Log Set Burner



CBHD4P shown with Topaz CRYSTALINE™ glass ember bed.

CBHD4 Series - Three Sided Peninsula

Continental's CBHD4P three-sided Peninsula features two different firebox/burner options, a log burner & a linear Topaz glass burner (two different fireplace models). It offers a massive 2,023 sq. in. viewing area, endless choices and is a one of a kind fireplace that you will be proud to show to family and friends! The perfect fit for large family rooms or for anyone looking to make a statement in their home.



Alternate Glass Media Kits & Glass Enhancement Kits - Six Colors Available
Blue, Amber, Black, Red, Clear, Topaz included.



Digital Remotes



Mineral Rock Media Kit



Designer Fire Art
Nickle Stix



Designer Fire Art
Metal Coil



MIRRO-FLAME™ Porcelain
Reflective Radiant End Panels



Decorative Newport™ Panels



Glass Ember Bed Burner



PHAZER™ Log Set Burner



Shown with Contemporary Rectangular Surround in Painted Black Finish.

CWHD31

A modern gas fireplace that simply hangs on your wall. Ideal for modern and contemporary rooms, Continental's CWHD31 features easy installation plus all of the conveniences of a gas fireplace. Virtually endless installation possibilities, it's almost as easy as hanging a picture on the wall.



Alternate Glass Media Kits & Glass Enhancement Kits - Six Colors Available
Blue, Amber, Black, Red, Clear, Topaz included.



Exclusive Slate Brick Panels
(Included)



Low Voltage LED Lights
(Optional)



Digital Remotes



Rectangular Surround in Brushed
Stainless Steel



Rectangular Surround in Painted Black



Shown with Classic Front in black and MIRRO-FLAME™ Porcelain Reflective Radiant Panels.

CHD35

The simple yet sophisticated style of Continental's CHD35 fireplace provides every comfort you need to create a relaxing environment. The clean face design maximizes the glass area so the realistic flames and log set are enjoyed to their fullest. With up to 25,000 BTU's, the CHD35 generates plenty of cozy heat and can easily turn down to a lower, setting when desired.



Decorative Sandstone Panels



MIRRO-FLAME™ Porcelain Reflective Radiant Panels



Blower



Digital Remotes



Satin chrome rock fender



Mineral Rock Kit



Beach Fire Kit



Andirons Painted Black Finish



Classic Front with Straight Accents



Classic Front in Black



Classic Front with Curved Accents



Shown with Classic Front in black and MIRRO-FLAME™ Porcelain Reflective Radiant Panels.

CHD40

This mid-sized fireplace gives you all the great features of the CHD35 plus offers a wider 40" firebox width with 27,000 BTU's. Two distinct design choices - either a traditional PHAZER® log set which comes included with the unit or the optional river rock media tray with satin chrome decorative fender that gives you a more contemporary fireplace experience.



Decorative Sandstone Panels



MIRRO-FLAME™ Porcelain Reflective Radiant Panels



Blower



Digital Remotes



Satin chrome rock fender



Mineral Rock Kit



Beach Fire Kit



Andirons
Painted Black Finish



Classic Front in Black



Classic Front with Straight Accents



Classic Front with Curved Accents



Shown with Classic Front in black and Newport® Deluxe Decorative Brick Panels.

CHDX40

Inspired by traditional masonry details and created with Continental's state-of-the-art gas fireplace technology, the deluxe CHDX40 offers the ultimate in performance and design. With 40,000 BTU's the flames will certainly impress any visitor. The clean face front allows a full view of the impressive 40" wide firebox with your choice of either fine detailed PHAZER® logs and charcoal embers or a river rock ember bed. A perfect investment for your lifestyle and your home.



Decorative Sandstone and Newport® Panels



MIRRO-FLAME® Porcelain Reflective Radiant Panels



Proflame II Remote (included)



Blower



Satin chrome rock fender



Mineral Rock Kit



Beach Fire Kit



Andirons Painted Black Finish



Classic Front in Black



Classic Front with Curved Accents



Classic Front with Straight Accents



Shown with Classic Front in black and Decorative Sandstone Brick Panels.

CHD46

The largest in the CHD series and offering up to 30,000 BTU's, the CHD46 provides a substantial focal point for any room. The impressive 46" wide firebox is completely filled with a realistic PHAZER® log set that is rich in color and detail. As with the other CHD fireplaces, you can choose the optional river rock media tray with satin chrome decorative fender to create a dramatic contemporary design element in your home.



Decorative Sandstone Panels



MIRRO-FLAME™ Porcelain Reflective Radiant Panels



Blower



Digital Remotes



Satin chrome rock fender



Mineral Rock Kit



Beach Fire Kit



Andirons
Painted Black Finish



Classic Front



Classic Front with Straight Accents



Classic Front with Curved Accents



Shown with optional premium brushed stainless steel surround and MIRRO-FLAME® Porcelain Reflective Radiant Panels.

CLHD45

The CLHD45 provides a modern, linear design at an affordable price that pleases both new building and renovation budgets. With unique design options (colored glass and river rock media enhancement kit) & accessories the CLHD45 captures an extraordinary fireplace experience in any room. Perfect for contemporary and open concept rooms.



Alternate Glass Media Kits & Glass Enhancement Kits - Six Colors Available
Blue, Amber, Black, Red, Clear. Topaz included.

MIRRO-FLAME® Porcelain Reflective Radiant Panels



Digital Remotes



Mineral Rock Kit



Beach Fire Kit



Blower



Stylo™ Grey Surround



Premium Brushed Stainless Steel Surround



Deluxe Gloss White Surround



Deluxe Gloss Black Surround



Black Basic Surround

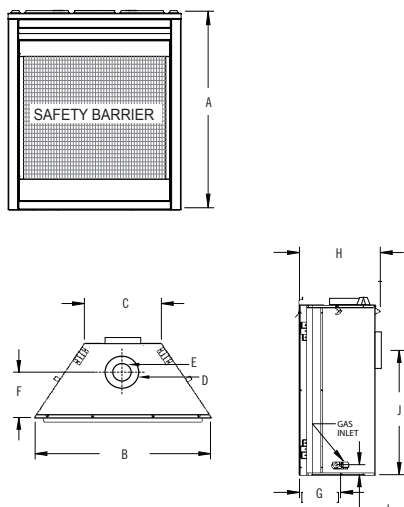


CB30

Features & Benefits

- 608 sq. in. glass area
- Available in standing pilot or electric ignition
- Fuel saving electronic ignition with battery backup system ***included on electric ignition fireplace***
- Flex connector complete with shut off ***included on electric ignition fireplace***
- Exclusive PHAZER® log set and glowing ember bed
- Pan Style Burner
- Optional MIRRO-FLAME™ Porcelain Reflective Radiant Panels
- Optional on/off and digital hand held remote controls
- Optional two inch and three inch bevelled trim kits
- Optional Contemporary decorative front
- Optional fan kit
- Approved for bedrooms, bathrooms, bed sitting rooms and mobile homes
- Standard as Natural Gas with LP Kit optional
- Optional media enhancement kits include Beach Fire, Shore Fire and Mineral Rocks
- Power venting available to allow unique venting installations

	CB30
BTU's (Input)	15,000
Venting	Top or Rear 4" & 7"
Glass Type	Tempered
Glass Size	
Height	23 11/16"
Width	25 11/16"
Efficiencies	
EnerGuide	68.9%
AFUE	72.5%
Steady State	-
Mobile Home Certified	Yes



	A	B	C	D	E	F	G	H	I	J
CB30	34 1/8"	30"	12 3/4"	7" DIA.	4" DIA.	8 5/8"	6 1/8"	14"	1 1/8"	24 1/8"

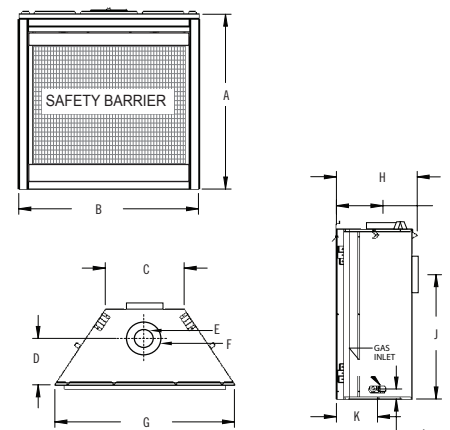


CB36

Features & Benefits

- 727 sq. in. glass area
- Available in standing pilot or electric ignition
- Fuel saving electronic ignition with battery backup system ***included on electric ignition fireplace***
- Flex connector complete with shut off ***included on electric ignition fireplace***
- Exclusive PHAZER® log set and glowing ember bed
- Pan Style Burner
- Optional MIRRO-FLAME™ Porcelain Reflective Radiant Panels
- Optional on/off and digital hand held remote controls
- Optional contemporary decorative front
- Optional two inch and three inch bevelled trim kits
- Optional Contemporary decorative front
- Optional fan kit
- Approved for bedrooms, bathrooms, bed sitting rooms and mobile homes
- Standard as Natural Gas with LP Kit optional
- Optional media enhancement kits include Beach Fire, Shore Fire and Mineral Rocks
- Power venting available to allow unique venting installations

	CB36
BTU's (Input)	18,000
Venting	Top or Rear 4" & 7"
Glass Type	Tempered
Glass Size	
Height	23 11/16"
Width	30 11/16"
Efficiencies	
EnerGuide	74.5%
AFUE	76.3%
Steady State	-
Mobile Home Certified	Yes



	A	B	C	D	E	F	G	H	I	J	K	L
CB36	34 1/8"	35"	15 3/4"	9 1/4"	4" DIA.	7" DIA.	35"	15 3/4"	9 1/4"	24"	8"	1 1/8"

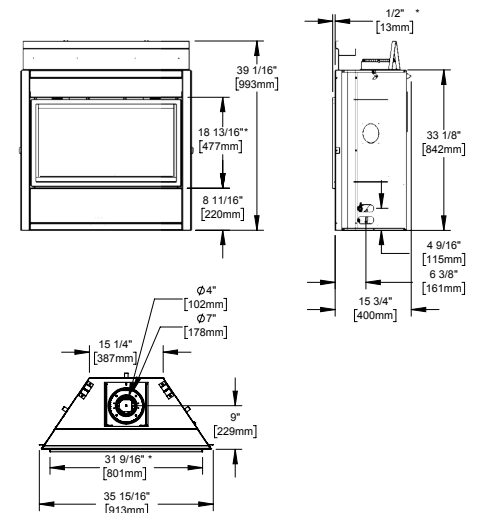


CBL36-1

Features & Benefits

- Viewing Area: 18 13/16" h x 31 9/16" w
- SIT Proflame II system (remote not included)
- Simplified installation (steel header no longer required)
- New clean face design with high quality safety barrier ***included***
- Optimized burner performance (for all vent and fuel configurations)
- CRYSTALINE™ ember bed comes with Topaz crushed glass ***included***
- New low profile optional fronts available in black and stainless steel
- Optional blower kit
- Optional media includes: MIRRO-FLAME™ Porcelain Reflective Radiant Panels, Mineral Rock Kit, Shore and Beach Fire Media Kits, Glass Embers in various colors!
- Power venting available to allow unique venting installations

	CBL36-1
BTU's (Input)	17,500
Venting	Top 4" & 7"
Glass Type	Tempered
Glass Size	
Height	18 13/16"
Width	31 9/16"
Efficiencies	
EnerGuide	51.7%
AFUE	-
Steady State	-
Mobile Home Certified	Yes



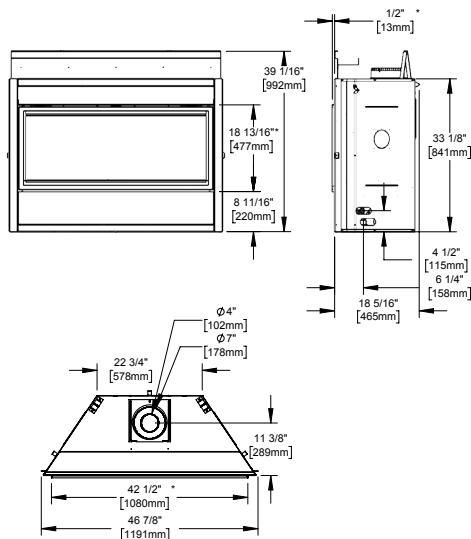


CBL46

Features & Benefits

- Viewing Area: 18 13/16" h x 42 1/2" w
- Clean face design with high quality safety barrier ***included***
- Optimized Burner Performance (for all vent and fuel configurations)
- SIT Proflame II System
- CRYSTALINE™ ember bed comes with Topaz crushed glass ***included***
- Non-combustible material included, no steel framing required
- Low profile optional fronts available in black and stainless steel
- Easy access air control for fast and precise air shutter adjustments
- Electronic Ignition Including Hi/Lo Flame adjustment
- Optional blower kits available
- Optional media includes: MIRRO-FLAME™ Porcelain Reflective Radiant Panels, Mineral Rock Kit, Shore Fire Kit and Beach Fire Kits and Glass Embers in various colors!
- Power venting available to allow unique venting installations

	CBL46
BTU's (Input)	24,000
Venting	Top 4" & 7"
Glass Type	Tempered
Glass Size	
Height	18 13/16"
Width	42 1/2"
Efficiencies	
EnerGuide	50.3%
AFUE	-
Steady State	-
Mobile Home Certified	Yes

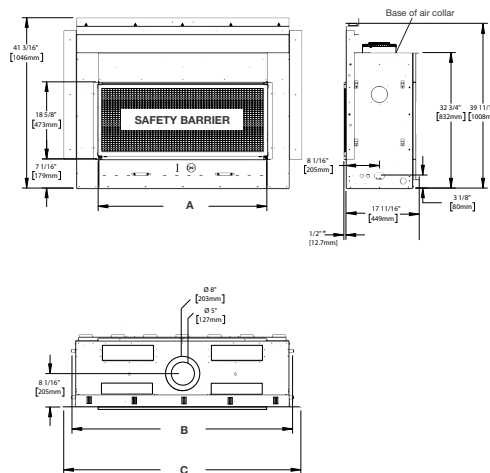


CL38

Features & Benefits

- Viewing Area: 18 5/8" h x 40 3/4" w
- Available in Natural Gas and Propane
- SIT Proflame II System (remote not included)
- Electronic Ignition Including Hi/Lo Flame adjustment
- Simplified Installation (no steel framing required)
- Clean face design with premium safety barrier
- Optimized Burner Performance (for all vent and fuel configurations)
- Topaz CRYSTALINE™ Ember Bed included
- Low profile fronts available in black and stainless steel
- Optional MIRRO-FLAME™ Porcelain Reflective Radiant Panels
- Optional media includes: Mineral Rock Kit, Shore Fire Kit and Beach Fire Kits, Glass Embers and Glass Beads in various colors!
- Power venting available to allow unique venting installations

	CL38
BTU's (Input)	24,000
Venting	Top 5" & 8"
Glass Type	Tempered
Glass Size	
Height	18 13/16"
Width	40 3/4"
Efficiencies	
EnerGuide	38.5%
AFUE	-
Steady State	-
Mobile Home Certified	Yes



*Finishing flange depth (The finishing flange defines the perimeter of the fireplace opening. Framing or finishing materials must NEVER encroach inside the finishing flange)

	A	B	C
CL38	40 3/4"	53 3/8"	57 3/8"

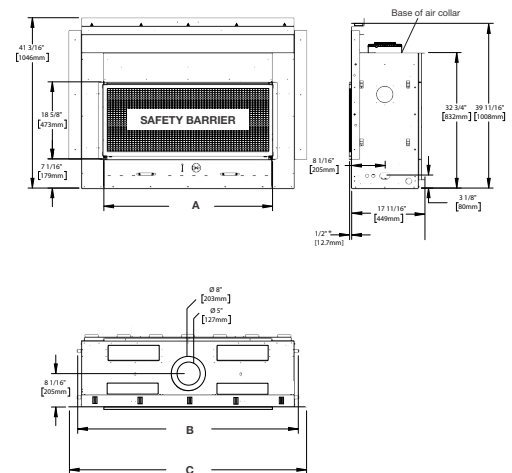


CL50

Features & Benefits

- Viewing Area: 18 5/8" h x 52 3/4" w
- Available in Natural Gas and Propane
- SIT Proflame II System (remote not included)
- Electronic Ignition Including Hi/Lo Flame adjustment
- Simplified Installation (no steel framing required)
- Clean face design with premium safety barrier
- Optimized Burner Performance (for all vent and fuel configurations)
- Topaz CRYSTALINE™ Ember Bed included
- Low profile fronts available in black and stainless steel
- Optional MIRRO-FLAME™ Porcelain Reflective Radiant Panels
- Optional media includes: Mineral Rock Kit, Shore Fire Kit and Beach Fire Kits, Glass Embers and Glass Beads in various colors!
- Power venting available to allow unique venting installations

	CL50
BTU's (Input)	30,000
Venting	Top 5" & 8"
Glass Type	Tempered
Glass Size	
Height	18 13/16"
Width	52 3/4"
Efficiencies	
EnerGuide	45.3%
AFUE	-
Steady State	-
Mobile Home Certified	Yes



*Finishing flange depth (The finishing flange defines the perimeter of the fireplace opening. Framing or finishing materials must NEVER encroach inside the finishing flange)

	A	B	C
CL50	52 3/4"	65 3/8"	69 3/8"

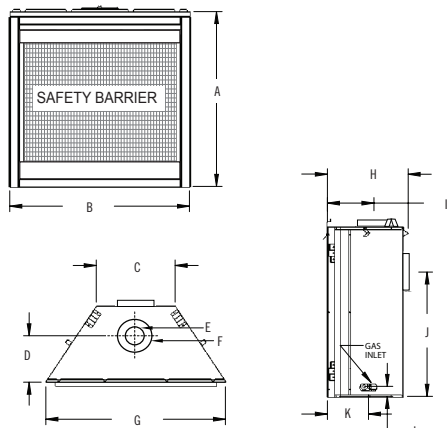


CX36-1

Features & Benefits

- 727 sq. in. glass area
- Available in standing pilot or electric ignition
- Fuel saving electronic ignition with battery backup system ***included on electric ignition fireplace***
- Flex connector complete with shut off ***included on electric ignition fireplace***
- Exclusive PHAZER[®] log set and glowing ember bed
- Pan Style Burner
- Optional Sandstone brick panels or MIRRO-FLAME[™] Porcelain Reflective Radiant Panels
- Optional on/off and digital hand held remote controls
- Optional contemporary decorative front
- Optional two inch and three inch bevelled trim kits
- Optional fan kit
- Approved for bedrooms, bathrooms, bed sitting rooms and mobile homes
- Standard as Natural Gas with LP Kit optional
- Optional media enhancement kits include Beach Fire, Shore Fire and Mineral Rocks
- Power venting available to allow unique venting installations

	CX36-1
BTU's (Input)	26,000
Venting	Top or Rear 4" & 7"
Glass Type	Ceramic
Glass Size	
Height	23 11/16"
Width	30 11/16"
Efficiencies	
EnerGuide	70.1%
AFUE	73.8%
Steady State	-
Mobile Home Certified	Yes



	A	B	C	D	E	F	G	H	I	J	K	L
CX36-1	34 1/4"	35"	15 3/8"	9 1/4"	4" DIA.	7" DIA.	35"	15 3/4"	9 1/4"	24"	8"	1 1/4"

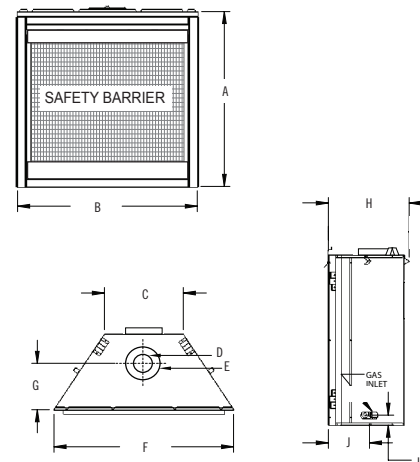


CX70

Features & Benefits

- 727 sq. in. glass area
- Fuel saving electronic ignition with battery backup system and flex connector complete with shut off ***included***
- Exclusive PHAZER[®] log set and glowing ember bed
- PHAZERAMIC[™] Burner
- Optional Newport[™], Herringbone and Old Town Red[™] brick panels or MIRRO-FLAME[™] Porcelain Reflective Radiant Panels
- Proflame II hand held remote control (controls flame, NIGHT LIGHT[™] dimmer and blower) ***included***
- Optional Heritage, Zen of Clean Face decorative fronts
- Optional black faceplate with operable screen doors
- Optional two inch and three inch bevelled trim kits
- Fan kit ***included***
- Approved for bedrooms, bathrooms, bed sitting rooms and mobile homes
- Available in natural gas or propane (LP)
- Power venting available to allow unique venting installations

	CX70
BTU's (Input)	35,000
Venting	Top 5" & 8"
Glass Type	Ceramic
Glass Size	
Height	23 11/16"
Width	30 11/16"
Efficiencies	
EnerGuide	72%
AFUE	74.6%
Steady State	-
Mobile Home Certified	Yes



	A	B	C	D	E	F	G	H	I	J
CX70	34 3/4"	35"	11 3/4"	5" DIA.	8" DIA.	35"	11 3/4"	18 3/4"	1 3/4"	7 1/4"

*Vent free not approved in Canada and some States. Figures may vary with individual conditions such as floor plan layout, insulation value/heat loss of the house and geographical location. Consult your owner's manual for complete and up-to-date installation instructions and proper clearances to combustible materials.

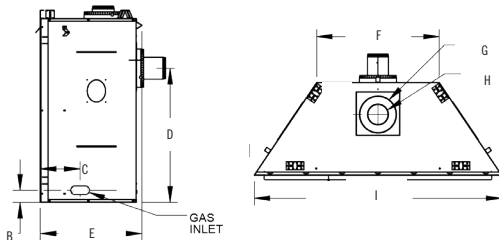
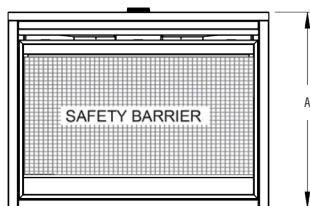


CB42

Features & Benefits

- 893 sq. in. glass area
- Available in standing pilot or electric ignition
- Fuel saving electronic ignition with battery backup system ***included on electric ignition fireplace***
- Flex connector complete with shut off ***included on electric ignition fireplace***
- Exclusive PHAZER[®] log set and glowing ember bed
- Pan Style Burner
- Optional Sandstone brick panels, Herringbone brick panels or MIRRO-FLAME[™] Porcelain Reflective Radiant Panels
- Optional on/off and digital hand held remote controls
- Optional contemporary decorative front
- Optional two inch and three inch beveled trim kits
- Optional fan kit
- Approved for bedrooms, bathrooms, bed sitting rooms and mobile homes
- Standard as Natural Gas with LP Kit optional
- Optional media enhancement kits include Beach Fire, Shore Fire and Mineral Rocks
- Power venting available to allow unique venting installations

CB42	
BTU's (Input)	22,000
Venting	Top or Rear 4" & 7"
Glass Type	Tempered
Glass Size	
Height	23 11/16"
Width	37 11/16"
Efficiencies	
EnerGuide	73.3%
AFUE	-
Steady State	-
Mobile Home Certified	Yes



	A	B	C	D	E	F	G	H	I
CB42	34 1/2"	2 3/8"	7 7/8"	24 3/8"	18 3/8"	18 3/8"	7" DIA.	4" DIA.	42"

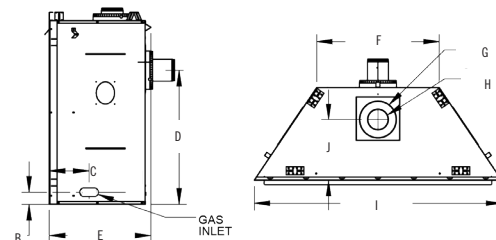
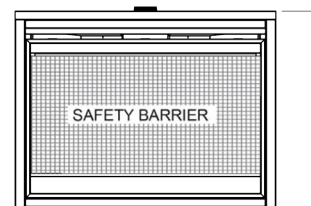


CB46

Features & Benefits

- 988 sq. in. glass area
- Available in standing pilot or electric ignition
- Fuel saving electronic ignition with battery backup system ***included on electric ignition fireplace***
- Flex connector complete with shut off ***included on electric ignition fireplace***
- Exclusive PHAZER[®] log set and glowing ember bed
- Pan Style Burner
- Optional Sandstone brick panels or MIRRO-FLAME[™] Porcelain Reflective Radiant Panels
- Optional on/off and digital hand held remote controls
- Optional contemporary decorative front
- Optional two inch and three inch beveled trim kits
- Optional fan kit
- Approved for bedrooms, bathrooms, bed sitting rooms and mobile homes
- Available in natural gas or propane (LP)
- Optional media enhancement kits include Beach Fire, Shore Fire and Mineral Rocks
- Power venting available to allow unique venting installations

CB46	
BTU's (Input)	22,000
Venting	Top or Rear 4" & 7"
Glass Type	Tempered
Glass Size	
Height	23 11/16"
Width	41 11/16"
Efficiencies	
EnerGuide	73.3%
AFUE	-
Steady State	-
Mobile Home Certified	Yes



	A	B	C	D	E	F	G	H	I	J
CB46	34 1/2"	2 3/8"	7 7/8"	24 3/8"	18 3/8"	22 3/8"	7" DIA.	4" DIA.	46"	11 3/8"

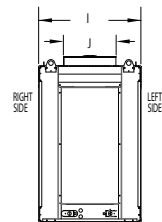
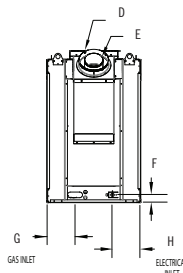
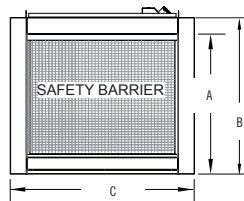


CBHD4ST

Features & Benefits

- 2,023 sq. in. glass area
- Fuel saving electronic ignition with battery backup system and flex connector complete with shut off ***included***
- Choice between PHAZER[®] glowing log set or exclusive topaz glass ember bed
- Optional Newport[™] panels or MIRRO-FLAME[™] Porcelain Reflective Radiant Panels
- Media enhancement kits of colored glass (black, blue, red, amber, clear, topaz) are designed to enhance the glass ember bed
- Optional designer fire art including Nickel Stix and Metal Coil
- Optional on/off and digital hand held remote controls
- Optional remote control with regulator (controls flame)
- Approved for bedrooms, bathrooms, bed sitting rooms and mobile homes
- Standard as Natural Gas with LP Kit optional
- Power venting available to allow unique venting installations

	CBHD4ST
BTU's (Input)	30,000
Venting	45° 5" & 8"
Glass Type	Tempered
Glass Size	
Height	28 1/2"
Width	35 1/2"
Efficiencies	
EnerGuide	67.9%
AFUE	66.98%
Steady State	69.3%
Mobile Home Certified	Yes



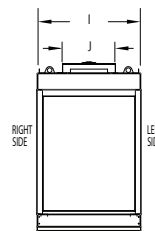
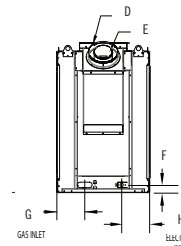
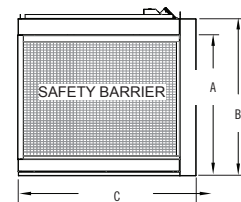
	A	B	C	D	E	F	G	H	I	J
BHD4ST	34 1/8"	38 1/4"	45"	8" DIA.	5" DIA.	2 1/8"	7 1/8"	7 1/8"	25 1/4"	12 1/8"

CBHD4P

Features & Benefits

- 2,484 sq. in. glass area
- Fuel saving electronic ignition with battery backup system and flex connector complete with shut off ***included***
- Choice between PHAZER[®] glowing log set or exclusive topaz glass ember bed
- Optional Newport[™] panels or MIRRO-FLAME[™] Porcelain Reflective Radiant Panels
- Media enhancement kits of colored glass (black, blue, red, amber, clear, topaz) are designed to enhance the glass ember bed
- Optional designer fire art including Nickel Stix and Metal Coil
- Optional on/off and digital hand held remote controls
- Optional remote control with regulator (controls flame)
- Approved for bedrooms, bathrooms, bed sitting rooms and mobile homes
- Standard as Natural Gas with LP Kit optional
- Power venting available to allow unique venting installations

	CBHD4P	
BTU's (Input)	30,000	
Venting	45° 5" & 8"	
Glass Type	Tempered	
Glass Size	Front/Back	End
Height	28 1/2"	27 1/8"
Width	35 1/2"	17"
Efficiencies		
EnerGuide	67.9%	
AFUE	66.98%	
Steady State	69.3%	
Mobile Home Certified	Yes	



	A	B	C	D	E	F	G	H	I	J
BHD4P	34 1/8"	38 1/4"	43 1/4"	8" DIA.	5" DIA.	2 1/8"	7 1/8"	7 1/8"	25 1/4"	12 1/8"

*Vent free not approved in Canada and some States. Figures may vary with individual conditions such as floor plan layout, insulation value/heat loss of the house and geographical location. Consult your owner's manual for complete and up-to-date installation instructions and proper clearances to combustible materials.

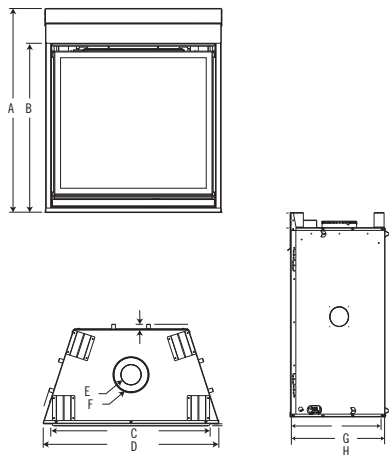


CHD35

Features & Benefits

- 879 sq. in. glass area
- Flame/heat adjustment for maximum comfort and efficiency
- Fuel saving electronic ignition with battery backup system and flex connector complete with shut off ***included***
- Exclusive PHAZER™ glowing log set with charcoal and glowing embers can be switched out with the optional river rock media tray
- Optional decorative fronts available
- Optional Sandstone brick panels or MIRRO-FLAME™ Porcelain Reflective Radiant Panels
- Optional on/off and digital hand held remote controls
- Optional fan kit
- Approved for bedrooms, bathrooms, bed sitting rooms and mobile homes
- Standard as Natural Gas with LP Kit optional
- Optional media enhancement kits include Beach Fire and Mineral Rocks

	CHD35
BTU's (Input)	25,000
Venting	Top 4" & 7"
Glass Type	Tempered
Glass Size	
Height	28 1/8"
Width	31 1/4"
Efficiencies	
EnerGuide	63.3%
AFUE	64.4%
Steady State	82.1%
Mobile Home Certified	Yes



	A	B	C	D	E	F	G	H
CHD35	41"	33 3/4"	23"	35 3/4"	4" DIA.	7" DIA.	20"	20 1/2"

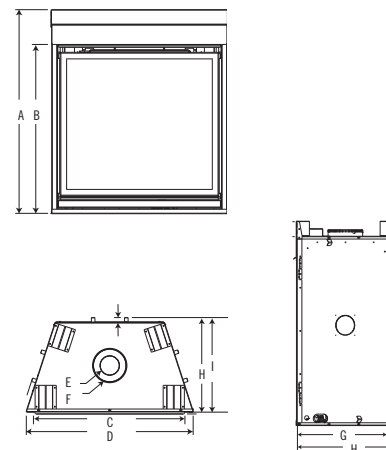


CHD40

Features & Benefits

- 1008 sq. in. glass area
- Flame/heat adjustment for maximum comfort and efficiency
- Fuel saving electronic ignition with battery backup system and flex connector complete with shut off ***included***
- Exclusive PHAZER™ glowing log set with charcoal and glowing embers can be switched out with the optional river rock media tray
- Optional decorative fronts available
- Optional Sandstone brick panels or MIRRO-FLAME™ Porcelain Reflective Radiant Panels
- Optional on/off and digital hand held remote controls
- Optional fan kit
- Approved for bedrooms, bathrooms, bed sitting rooms and mobile homes
- Standard as Natural Gas with LP Kit optional
- Optional media enhancement kits include Beach Fire and Mineral Rocks

	CHD40
BTU's (Input)	27,000
Venting	Top 4" & 7"
Glass Type	Tempered
Glass Size	
Height	28"
Width	36"
Efficiencies	
EnerGuide	64.3%
AFUE	65.6%
Steady State	76.3%
Mobile Home Certified	Yes



	A	B	C	D	E	F	G	H
CHD40	41"	33 3/4"	28"	40 1/4"	4" DIA.	7" DIA.	20"	20 1/2"

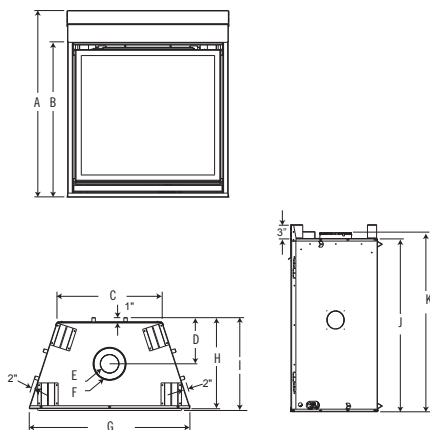


CHDX40-2

Features & Benefits

- 1008 sq. in. glass area
- Flame/heat adjustment for maximum comfort and efficiency
- Fuel saving electronic ignition with battery backup system and flex connector complete with shut off ***included***
- Exclusive NIGHT LIGHT™ feature ***included***
- Exclusive PHAZER™ log set and charcoal embers can be switched out with the river rock media tray with satin chrome decorative fender
- Optional decorative fronts available
- Four optional decorative panels to choose from
- Proflame II hand held remote control (controls flame, NIGHT LIGHT™ dimmer and blower) ***included***
- Optional fan kit
- Approved for bedrooms, bathrooms, bed sitting rooms and mobile homes
- Standard as Natural Gas with LP Kit optional
- Optional media enhancement kits include Beach Fire and Mineral Rocks
- Power venting available to allow unique venting installations

	CHDX40-2
BTU's (Input)	40,000
Venting	Top 5" & 8"
Glass Type	Ceramic
Glass Size	
Height	28"
Width	36"
Efficiencies	
EnerGuide	77.06%
AFUE	59.5%
Steady State	61.5%
Mobile Home Certified	Yes



	A	B	C	D	E	F	G	H	I	J	K
CHDX40-2	41"	33 3/4"	28"	10 3/4"	5" DIA.	8" DIA.	40 3/4"	20"	20 1/2"	38"	39 1/4"

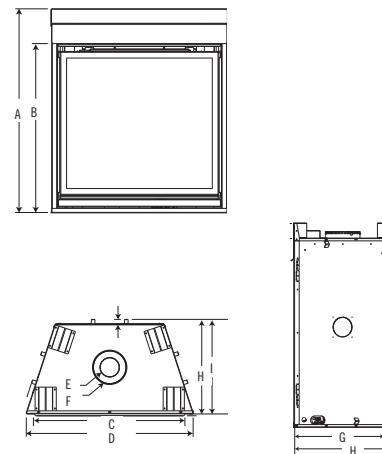


CHD46

Features & Benefits

- 1176 sq. in. glass area
- Flame/heat adjustment for maximum comfort and efficiency
- Fuel saving electronic ignition with battery backup system and flex connector complete with shut off ***included***
- Exclusive PHAZER™ glowing log set with charcoal and glowing embers can be switched out with the optional river rock media tray
- Optional decorative fronts available
- Optional Sandstone brick panels or MIRRO-FLAME™ Porcelain Reflective Radiant Panels
- Optional on/off and digital hand held remote controls
- Optional fan kit
- Approved for bedrooms, bathrooms, bed sitting rooms and mobile homes
- Standard as Natural Gas with LP Kit optional
- Optional media enhancement kits include Beach Fire and Mineral Rocks

	CHD46
BTU's (Input)	30,000
Venting	Top 4" & 7"
Glass Type	Tempered
Glass Size	
Height	28"
Width	42"
Efficiencies	
EnerGuide	65.1%
AFUE	67.7%
Steady State	79.2%
Mobile Home Certified	Yes



	A	B	C	D	E	F	G	H
CHD46	41"	33 3/4"	34"	46 1/4"	4" DIA.	7" DIA.	20"	20 1/2"

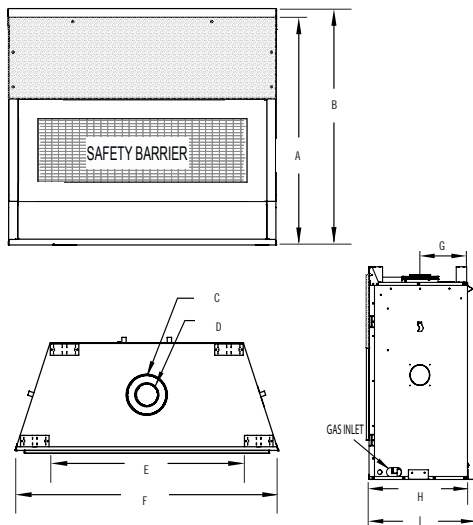


CLHD45

Features & Benefits

- 728 sq. in. glass area
- Clean, contemporary design
- Fuel saving electronic ignition with battery backup system and flex connector complete with shut off ***included***
- Heat resistant glass radiates heat back into the room
- Power venting is available to allow for unique venting installations
- Sparkling Topaz CRYSTALINE™ glass ember bed ***included***
- Optional basic, deluxe and premium four-sided surrounds come complete with safety barrier
- Optional MIRRO-FLAME™ Porcelain Reflective Radiant Panels
- Optional Driftwood Log Set media enhancement kit comes with logs and river rocks
- Optional Mineral Rock media kit can be added to or replace the existing CRYSTALINE™ emberbed
- Optional colored glass media enhancement kits are available (black, blue, red, amber, clear and topaz)
- Optional on/off and digital hand held remote controls
- Optional fan kit
- Approved for bedrooms, bathrooms, bed sitting rooms and mobile homes
- Standard as Natural Gas with LP Kit optional
- Power venting available to allow unique venting installations

	CLHD45
BTU's (Input)	24,000
Venting	Top 4" & 7"
Glass Type	Tempered
Glass Size	
Height	17 13/16"
Width	40 7/8"
Efficiencies	
EnerGuide	52%
AFUE	-
Steady State	72%
Mobile Home Certified	Yes



	A	B	C	D	E	F	G	H	I
CLHD45	39 1/2"	40 7/8"	7" DIA	4" DIA	34 1/8"	46 1/4"	10 1/4"	18 1/4"	19 1/4"

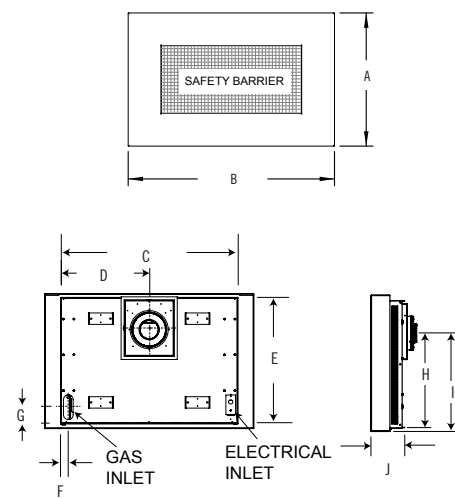


CWHD31

Features & Benefits

- 520 sq. in. glass area
- Fuel saving electronic ignition with battery backup system and flex connector complete with shut off ***included***
- Clean, contemporary design
- Exclusive Topaz CRYSTALINE™ ember bed ***included***
- 20" rigid venting included with unit
- Rectangular surrounds available in painted black and brushed stainless steel finishes
- Easily hangs on the wall and comes complete with wall mounting brackets (mounting screws not supplied)
- Optional on/off and digital hand held remote controls
- Optional LED light kit (two)
- Approved for bedrooms, bathrooms, bed sitting rooms and mobile homes
- Standard as Natural Gas with LP Kit optional

	CWHD31
BTU's (Input)	20,000
Venting	Rear 4" & 7"
Glass Type	Ceramic
Glass Size	
Height	16 1/2"
Width	31 1/2"
Efficiencies	
EnerGuide	65.2%
AFUE	68.62%
Steady State	68.9%
Mobile Home Certified	Yes



	A	B	C	D	E	F	G	H	I	J
CWHD31	28"	43 1/2"	36 1/8"	18 1/2"	27"	1 1/8"	3 1/2"	20 1/4"	20 1/2"	8 1/8"

*Vent free not approved in Canada and some States. Figures may vary with individual conditions such as floor plan layout, insulation value/heat loss of the house and geographical location. Consult your owner's manual for complete and up-to-date installation instructions and proper clearances to combustible materials.



QUALITY PROMISE

All Continental® products are built to the strictest quality standards and only the highest grade materials are used. The computerized production processes, pride in workmanship and serious commitment to our achieved ISO9001-2008 certification, ensure many years of dependable performance.

VERSATILE INSTALLATION

Install in your home above or below grade, in any room even in bedrooms, bathrooms and kitchens. Direct vent models can be vented up to 20 feet horizontally through a wall, 40 feet vertically through the roof or below grade with a periscope. For all direct vent fireplaces we offer the smallest, architecturally pleasing vent terminal in the industry.

MAXIMUM EFFICIENCY

Our sealed combustion technology in our direct vent models uses outside air for combustion eliminating heat loss and cold drafts associated with conventional fireplaces. All Continental® models are designed to maximize efficiency levels with special heat retaining components.

CONVENIENCE

If all the conveniences of gas fireplaces aren't enough, enjoy full relaxation with Continental's remote controls. Available with an easy-to-read backlit digital readout of the room temperature and includes a child proof safety lock.

A RELIABLE ECONOMICAL HEATING SOURCE

Continental® products can save home heating costs by as much as 30% (Zone Heating by heating the rooms you use most) and provide reliable heat during power failures. No power? No problem! Continental's built-in millivolt system or electronic ignition with battery back-up requires no electricity to light or operate.

SAFETY FEATURES

100% SAFE GUARD™ gas control system automatically and quickly shuts off the gas supply for your peace of mind.

HEAT TRANSFERRING CERAMIC GLASS

Ceramic glass provides an excellent temperature transfer allowing maximum heat to radiate into the room. Some models use heat resistant tempered glass.

REALISTIC CERAMIC FIBRE LOGS

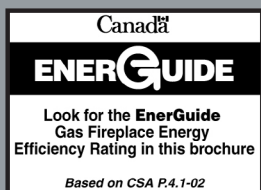
Continental's configuration of realistic logs create a cozy and natural wood burning atmosphere.

RELIABLE BURNER SYSTEM & ADJUSTABLE FLAME

Our advanced YELLOW DANCING FLAMES™ provide maximum heat and flame pattern. For less heat, simply reduce the input with the built-in flame/heat adjustment for maximum comfort and efficiency.

ENVIRONMENTALLY FRIENDLY

Clean burning, convenient natural gas or propane provides an environmentally safe energy source - indoors and outdoors. Continental® products are designed to provide an environmentally friendly energy source.



ENERGUIDE - A Canadian efficiency standard based on frequent, short start-up and cool-down cycles. All appliances sold in Canada are subject to this EnerGuide rating system. AFUE - A US efficiency standard (Department of Energy) based on extended on/off cycles, more typical of fireplace usage. STEADY STATE - Reflects the highest possible overall heating efficiency. Years of research, design and testing have enhanced optimum performance allowing Continental® products to achieve some of the highest heater rating efficiencies on the market. Our products continuously surpass industry standards not only in appearance but in efficiency and performance.

Consult your owner's manual for complete installation instructions, accurate framing dimensions and proper clearances to combustible materials. Installations shown may not be accurate to code. Check all local and national building codes and gas regulations. Products may not be exactly as shown. Flame height and activity is influenced by varying vent configurations and may not appear as shown. All specifications are subject to change without prior notice due to on-going product improvements. BTU's listed in brochure reflect natural gas applications. Continental® is a registered trademark of Wolf Steel Ltd. © Wolf Steel Ltd.



- 103 Miller Drive, Crittenden, Kentucky, USA 41030
- 24 Napoleon Road, Barrie, Ontario, Canada L4M 0G8
- 7200 Trans Canada Highway, Montreal, Quebec, Canada H4T 1A3

Tel: 866-820-8686
continentalfireplaces.com



Authorized Dealer

