

NAPOLEON

STUNNING APPEARANCE
EASY INSTALL

NEW PLAZMAFIRE™ 48
WALL HUNG DIRECT VENT GAS FIREPLACE



Plazmafire™ 48 shown with natural gas burner and black rectangular surround.



napoleonfireplaces.com

Plazmafire™ 48

Napoleon's new wall hung Plazmafire™ 48 is a beautiful modern direct vent gas fireplace. Designed with a focus on ease of installation the Plazmafire™ 48 requires no special framing and can be quickly mounted to an existing wall with its simple mounting bracket. With virtually endless installation possibilities, it's almost as easy as hanging a picture on the wall. The Plazmafire™ 48 comes complete with MIRRO-FLAME™ Porcelain Reflective Radiant Panels and CRYSTALINE™ Topaz glass embers.

Product Features

- 28"h x 60 3/16"w x 8 7/16"d
- Electronic ignition
- Clean contemporary design
- Energy saving electronic ignition reduces gas consumption
- Optimized Natural Gas or Propane burner choice offers different flame pattern and appearance
- Safety screen comes complete on the rectangular surround; your choice of premium textured black powder coat or brushed stainless steel
- Convenient remote control comes complete with fireplace
- Optional glass media enhancement kits
- Optional infinite colors LED backlit light kit with eFIRE bluetooth module
- Certified for bedrooms, bathrooms and mobile homes

Features / Options / Accessories



Surround in black
shown with propane burner



Surround in stainless steel
shown with natural gas burner



LED backlit light kit - Optional



MIRRO-FLAME™ Porcelain Reflective Radiant Panels (included)



Remote (included)



Glass Ember Media Kits
Black, Blue, Red, Amber, Clear and Topaz

eFIRE CONTROLLER



Plazmafire™ 48 shown with propane burner and stainless steel surround



LED Color Spectrum

eFIRE REMOTE APP

Total control of your fireplace from the convenience of your mobile device

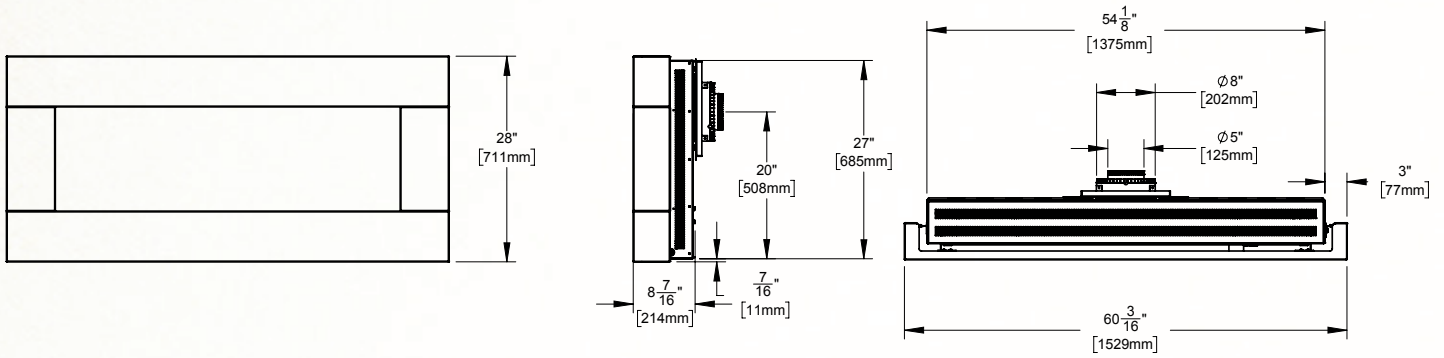
Napoleon's eFIRE app is available on the Plazmafire™ 48 for IOS and Android devices and allows the customer to adjust the flame height, turn the unit on/off and control the optional LED light kit that comes with it.

Specifications

Model	BTU'S (Input)	Rear Venting	Height		Front Width		Depth		Glass Size		Efficiency EnerGuide	Blower
			Actual	Framing	Actual	Framing	Actual	Framing	Height	Width		
WHD48	28,000	5" x 8"	28"	N/A	60 3/16"	N/A	8 7/16"	N/A	17 7/8"	49 1/8"	72.38%	N/A

Certified under Canadian and American National Standards

Figures may vary with individual conditions such as floor plan layout, insulation value/heat loss of the house and geographical location.



Authorized Dealer



24 Napoleon Road, Barrie, Ontario, Canada L4M 0G8
 103 Miller Drive, Crittenden, Kentucky, USA 41030
 7200 Trans Canada Highway, Montreal, Quebec, Canada H4T 1A3

Tel: 1-866-820-8686
 napoleonfireplaces.com



Consult your owner's manual for complete installation instructions, accurate framing dimensions and proper clearances to combustible material. Check all local and national building codes. All specifications are subject to change without prior notice due to on-going product improvements. Products may not be exactly as shown. Napoleon is a registered trademark of Wolf Steel Ltd. © Wolf Steel inc.

Printed in Canada
 08/2017