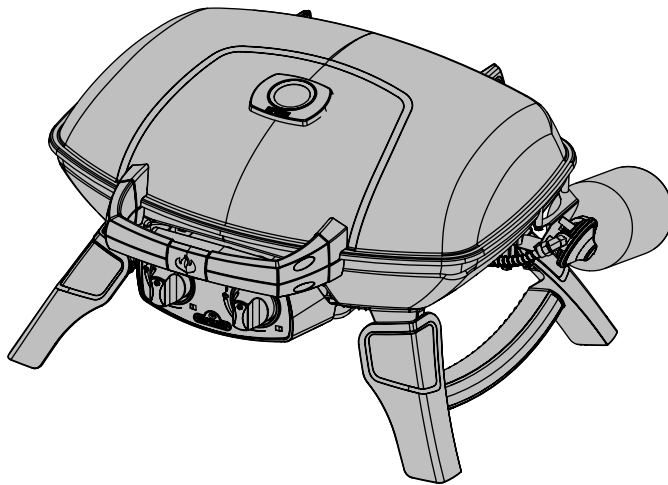
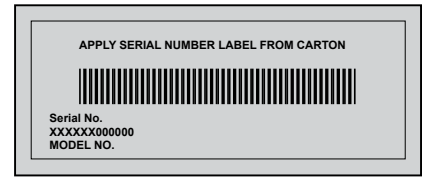


This gas grill must be used only outdoors in a well-ventilated space and must not be used inside a building, garage, screened-in porch, gazebo or any other enclosed area.



TQ285



DANGER

IF YOU SMELL GAS:

- Shut off gas to the appliance.
- Extinguish any open flame.
- Open lid.
- If odor continues, keep away from the appliance and immediately call your gas supplier or fire department.

WARNING! Failure to follow these instructions exactly could result in fire, or explosion which could cause property damage, personal injury or death.



WARNING

Do not try to light this appliance without reading the "LIGHTING" instructions section of this manual.

Do not store or use gasoline or other flammable liquids or vapors in the vicinity of this or any other appliance. An L.P. cylinder not connected for use must not be stored in the vicinity of this or any other appliance. If the information in these instructions is not followed exactly, a fire or explosion may result, causing property damage, personal injury or death.

Adults and especially children should be alerted to the hazards of high surface temperatures. Young children should be supervised near the gas grill.

Notice to Installer: Leave these instructions with the grill owner for future reference.



AUSTRALIA AND NEW ZEALAND
GAS SAFETY CERTIFICATION
N415-0289-AU JUL 04.16

Napoleon Group of Companies
214 Bayview Dr., Barrie, Ontario, Canada L4N 4Y8
Phone: 1-705-726-4278 Fax: (705)-727-4282

www.napoleongrills.com

Customer Solutions: 1-866-820-8686 or grills@napoleonproducts.com



THANK YOU FOR CHOOSING NAPOLEON

NAPOLEON products are designed with superior components and materials, and are assembled by trained craftsmen who take great pride in their work. This grill has been thoroughly inspected by a qualified technician before packaging and shipping to ensure that you, the customer, receive the quality product you expect from NAPOLEON.

We at Napoleon are dedicated to you, "our valued customer". It is our goal to provide you with the necessary tools for an unforgettable grilling experience. This manual is provided to assist you in assuring your new grill is assembled, installed, maintained and cared for properly. It is important to read and understand this entire manual before operating your new grill to ensure you fully understand all the safety precautions and features your grill has to offer. By carefully following these instructions, you will enjoy years of trouble-free grilling. If this product fails to meet your expectations, for any reason, please call our customer solutions department at 1-866-820-8686 between 9 AM and 5 PM (Eastern Standard Time) or visit our Website at www.napoleongrills.com.



Napoleon Gas Grill President's Limited Warranty

NAPOLEON warrants that components in your new NAPOLEON product will be free from defects in material and workmanship from the date of purchase, for the following period:

Lid Assembly	5 years ^{plus5}
Base Casting	5 years ^{plus5}
Stainless steel tube burners	5 years ^{plus5}
Porcelain-enameled cast iron cooking grids	5 years ^{plus5}
Plastic components	5 years
All other parts	2 years

^{plus5} indicates a period of extended warranty coverage whereby the replacement part will be made available to the consumer for an additional 5 years at 50% of the current retail price.

Conditions and Limitations

NAPOLEON warrants its products against manufacturing defects to the original purchaser only, provided that the purchase was made through an authorized NAPOLEON dealer and is subject to the following conditions and limitations:

This factory warranty is non-transferable and may not be extended what-so-ever by any of our representatives.

This limited warranty does not cover damages caused by misuse, lack of maintenance, grease fires, hostile environments, accident, alterations, abuse or neglect and parts installed from other manufacturers will nullify this warranty. Discoloration to plastic parts from chemical cleaners or UV exposure is not covered by this warranty.

This limited warranty further does not cover any scratches, dents, painted or plated finishes, corrosion or discoloring by heat, abrasive and chemical cleaners, nor chipping on porcelain enamel parts..

Should deterioration of parts occur to the degree of non-performance (rusted through or burnt through) within the duration of the warranted coverage, a replacement part will be provided.

After the first year, with respect to this President's Limited Warranty NAPOLEON may, at its discretion, fully discharge all obligations with respect to this warranty by refunding to the original warranted purchaser the wholesale price of any warranted but defective part(s).

NAPOLEON will not be responsible for the installation, labor or any other costs or expenses related to the re-installation of a warranted part, and such expenses are not covered by this warranty.

Notwithstanding any provision contained in this President's Limited Warranty NAPOLEON's responsibility under this warranty is defined as above and it shall not in any event extend to any incidental, consequential, or indirect damages.

This warranty defines the obligation and liability of NAPOLEON with respect to the NAPOLEON gas grill and any other warranties expressed or implied with respect to this product, its components or accessories are excluded. NAPOLEON neither assumes, nor authorizes any third party to assume, on its behalf, any other liabilities with respect to the sale of this product.

NAPOLEON will not be responsible for: over firing, blow outs caused by environmental conditions such as strong winds, or inadequate ventilation,

Any damages to the gas grill due to weather damage, hail, rough handling, damaging chemicals or cleaners will not be the responsibility of NAPOLEON.

The bill of sale or copy will be required together with a serial number and a model number when making any warranty claims from NAPOLEON.

NAPOLEON reserves the right to have its representative inspect any product or part prior to honoring any warranty claim.

NAPOLEON shall not be liable for any transportation charges, labor costs, or export duties.



- **This instruction manual contains important information necessary for the proper assembly and safe use of the appliance.**
- **Read and follow all warnings and instructions before assembly and using the appliance.**
- **Follow all warnings and instructions when using the appliance.**

Safe Operating Practices

- This gas grill must be assembled exactly according to the instructions in the manual. If the grill was store assembled, you must review the assembly instructions to confirm correct assembly and perform the required leak tests before operating the grill.
- Read the entire instruction manual before operating the gas grill.
- This gas grill must only be used outdoors in a well-ventilated space and must not be used inside a building, garage, screened in porch, gazebo or any other enclosed area.
- Do not use this grill under extended awnings. Failure to follow these instructions could result in a fire or personal injury.
- This gas grill must not be installed in or on recreational vehicles and/or boats.
- This gas grill is designed for Universal LPG only.
- Do not locate in windy settings. High winds adversely affect the cooking performance of the gas grill.
- Under no circumstances should this gas grill be modified.
- Do not operate unit under any combustible construction.
- Maintain proper clearance to combustibles 18" (457mm) to rear of unit, 18" (457mm) to sides. Additional clearance is recommended near vinyl siding or panes of glass.
- The gas supply hose (optional) must be installed in a manner that will not allow contact with any hot surfaces of the grill while in use or in the storage/travel mode.
- The propane cylinder must be disconnected when the gas grill is not in use.
- When the propane cylinder is connected to the appliance, the gas grill and cylinder must be stored outdoors in a well-ventilated space.
- When the gas grill is to be stored indoors, the connection between the propane cylinder and the gas grill must be disconnected and the cylinder removed and stored outdoors in a well ventilated space out of reach of children. Disconnected cylinders must not be stored in a building, garage or any other enclosed area.
- Inspect the gas supply hose (optional) before each use. If there is evidence of excessive abrasion or wear or the hose is cut, it must be replaced prior to using the gas grill with a replacement pressure regulator and hose assembly specified by the grill manufacturer.
- Do not route hose (optional) underneath drip pan - proper hose clearance to bottom of unit must be maintained.
- Leak test the unit before initial use, annually and whenever any gas components are replaced.
- Follow the lighting instructions carefully when operating grill.
- Do not light burners with lid closed.
- The use of alcohol, prescription or non-prescription drugs may impair the consumer's ability to properly assemble or safely operate the gas grill.
- Do not leave grill unattended when operating. Keep children and pets away from the appliance at all times.
- Do not move grill when hot or operating.
- Keep any electrical supply cord and fuel supply hose away from any heated surfaces.
- Clean grease tray regularly to avoid build-up, which may lead to grease fires.
- Do not use water, beer, or any other liquids to control flare-ups.
- Do not use a pressure washer to clean any part of the unit.
- This gas grill is not intended for commercial use.
- This gas grill is not intended for and should never be used as a heater.

Location

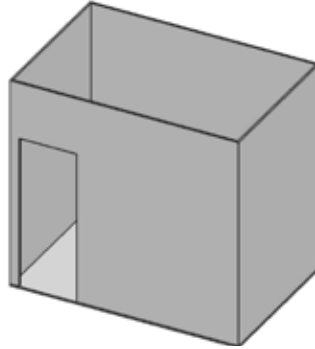
Locating Your Outdoor Gas Grill

It is important when selecting a location for your gas grill to ensure clearances to adjacent combustibles are met. This appliance is intended for installation on an outdoor patio or in your yard.

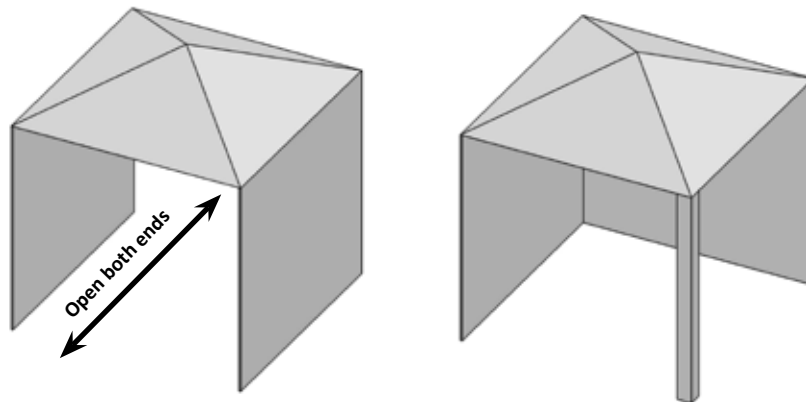
'This appliance shall only be used in an above ground open-air situation with natural ventilation, without stagnant areas, where gas leakage and products of combustion are rapidly dispersed by wind and natural convection.'

Any enclosure in which the appliance is used shall comply with one of the following:

An enclosure with walls on all sides, but at least one permanent opening at ground level and no overhead cover.

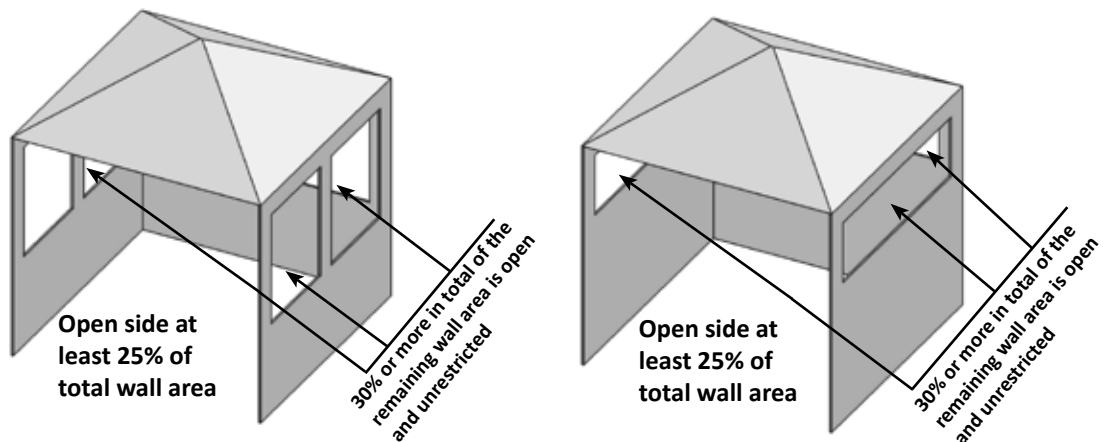


Within a partial enclosure that includes an overhead cover and no more than two sidewalls. These sidewalls may be parallel, as in a breezeway, or at right angles to each other.



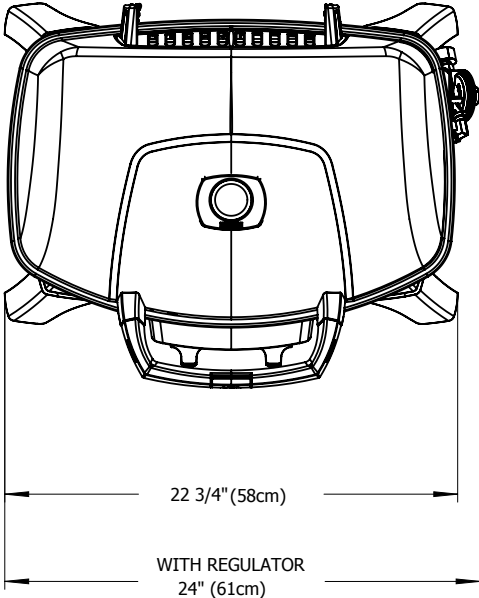
Within a partial enclosure which includes an overhead cover and more than two walls, the following shall apply:

- at least 25% of the total wall area is completely open; and
- at least 30% of the remaining wall area is open and unrestricted.



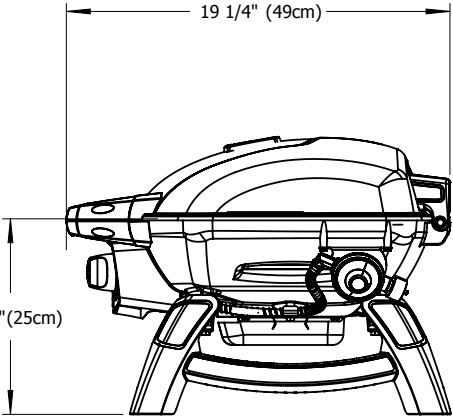
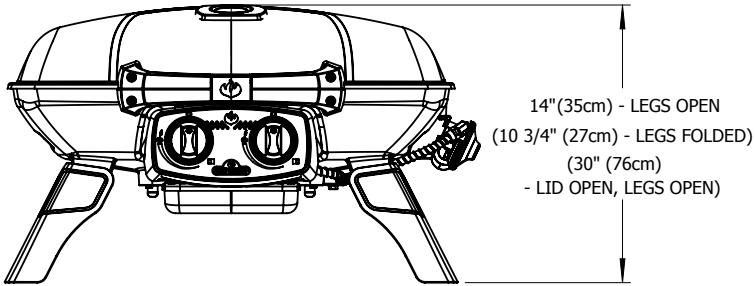
In the case of balconies, at least 20% of the total of the side, back and front wall areas shall be and remain open and unrestricted.

DIMENSIONS



TQ285 GRILL

GRILL SIZE: 14 1/2 in X 21 1/2 in (IRREGULAR) = 285 in² (37 cm X 54 cm (IRREGULAR) = 1840 cm²)
ALL DIMENSIONS ARE APPROXIMATE



Handle With Care



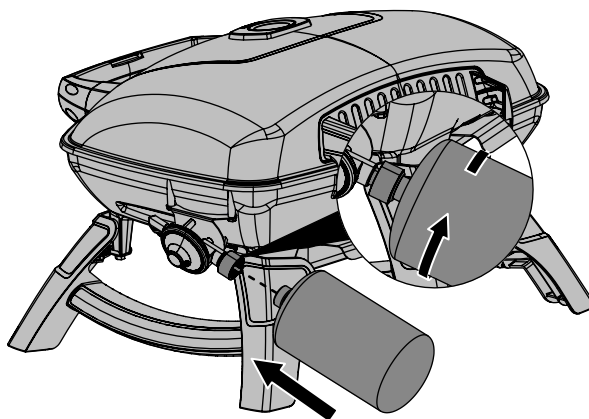
CAUTION! Use care when handling or transporting your grill to prevent damage and misalignment of internal components. Although this grill has been designed with mobility in mind, rough handling or abuse will result in damage to internal components, preventing your grill from operating properly.

General Information

This gas grill is certified for outdoor use and should be installed to conform to local codes. Check gas type and specifications on the rating plate located on the control panel of the grill.

Use only the pressure regulator provided with this barbecue. Replacement pressure regulators must be supplied by or specified by the manufacturer. The regulator supplies a pressure of 2.75 kilopascals to the gas grill and has a female CGA#600 type fitting.

Cylinder Installation: 1 lb (.454kg) disposable cylinders to be used with this unit must be equipped with a male CGA #600 type connection. This cylinder has a positive seating connection, which will not allow gas flow until a positive seal has been achieved. To install the cylinder simply screw it into the regulator - tighten hand tight.



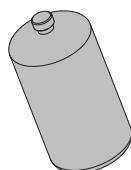
WARNING! Use cylinders that are marked "Propane Fuel" only.



WARNING! Be careful not to cross thread when installing the cylinder. Do not use tools to tighten the cylinder.



WARNING! Do not operate the grill if the regulator shows signs of impact damage.



WARNING! The dust cap should be in place when the propane cylinder is not in use to prevent dirt and debris from entering.

WARNING! Review instructions on propane cylinder prior to using. A dented or rusted cylinder may be hazardous. Discard cylinder if rust particles or debris are in the connection area of the propane cylinder.

Optional Supply Hose Instructions: An optional hose is available from your Napoleon Dealer that allows the grill to be connected to a 20 lb (9.1 kg) cylinder. A dented or rusted cylinder may be hazardous and should be checked by your propane supplier. Never use a cylinder with a damaged valve.



WARNING! If these instructions are not followed exactly, a fire causing death or serious injury may occur.

This gas grill has been designed for use with an approved 9 kg size propane cylinder (not supplied). The propane cylinder must be equipped with a POL tank valve connection. A dented or rusty cylinder may be hazardous and should be checked by your propane supplier. Never use a cylinder with a damaged valve. The cylinder supply system must be arranged for vapor withdrawal and the cylinder shall include a dust cap to protect the cylinder valve. The cylinder shall incorporate a listed OPD (overfill protection device). Do not store a spare LP-gas cylinder under or near this appliance. Never fill the cylinder beyond 80 percent full.

Cylinder Connection: 20 lb (9.1 kg). Ensure that the gas regulator hose is kink free. Remove the cap or plug from the cylinder fuel valve. Insert the POL regulator nipple onto the POL fuel valve. Hand tighten counterclockwise. Do not use tools. Leak test all joints prior to using the barbecue. A leak test must be performed annually, and each time a cylinder is hooked up, or if a part of the gas system is replaced.

- Check that the cylinder valve is closed by turning the knob clockwise.
- Check that the grill's burner knobs are in the off position.
- Position the cylinder so that the valve faces toward the front of the unit.
- Attach regulator hose.



WARNING! Use only the pressure regulator and hose assembly provided with this barbecue. Replacement pressure regulators and hose assemblies must be specified by the manufacturer. Do not store a spare propane cylinder on the shelf beneath the barbecue (if applicable.) The regulator must be attached so that no part of the hose touches the underside of the grill or drippan. A fire will result if these directions are ignored.

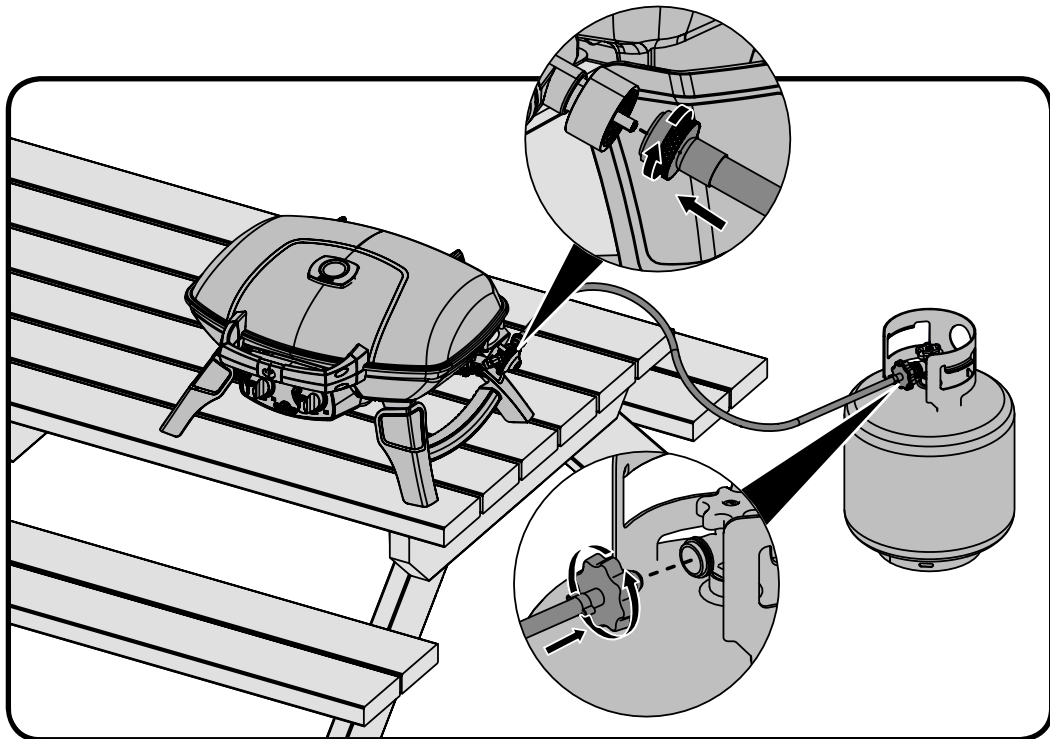


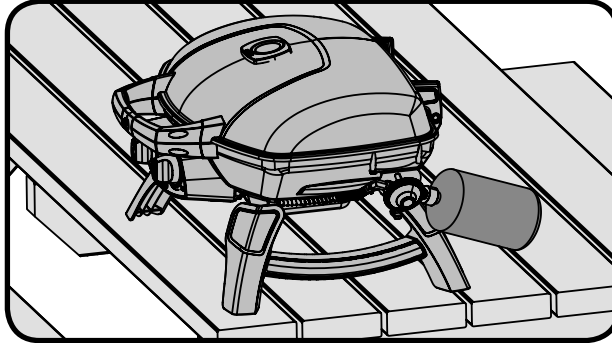
Table Top Use

The TQ285/PRO285 has been designed with mobility in mind. With collapsible legs, the TQ285/PRO285 can be set up on most table tops. The legs fold out and lock into place, folding back into a locked position when on the go.



WARNING! The legs located on each side of your grill must be unfolded during use.

WARNING! Do not use the grill on plastic, resin or glass table tops.



Leak Testing Instructions



WARNING! A leak test must be performed annually and each time a cylinder is hooked up or if a part of the gas system is replaced.



WARNING! Never use an open flame to check for gas leaks. Be certain no sparks or open flames are in the area while you check for leaks. Sparks or open flames will result in a fire or explosion, damage to property, serious bodily injury, or death.



Leak testing: This must be done before initial use, annually, and whenever any gas components are replaced or serviced. Do not smoke while performing this test, and remove all sources of ignition. See Leak Testing Diagram for areas to check. Turn all burner controls to the off position. Connect a disposable cylinder or slowly turn on the gas supply valve (large propane cylinder)

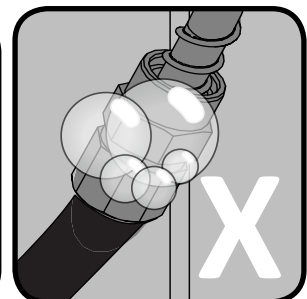
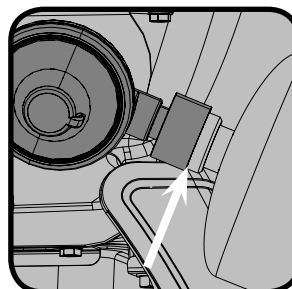
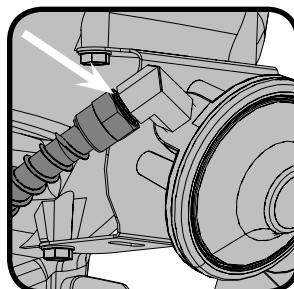
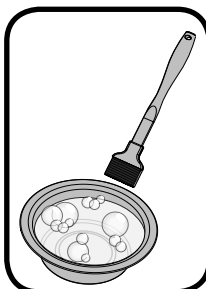
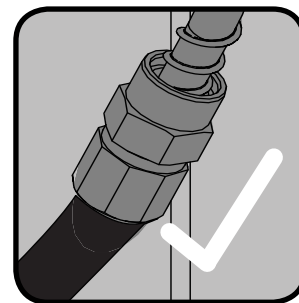
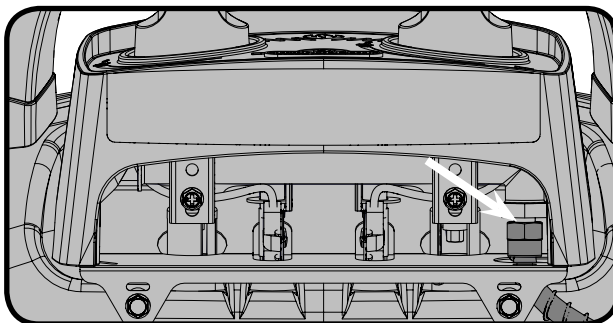


Brush a half-and-half solution of liquid soap and water onto all joints and connections of the regulator, hose, manifolds and valves.

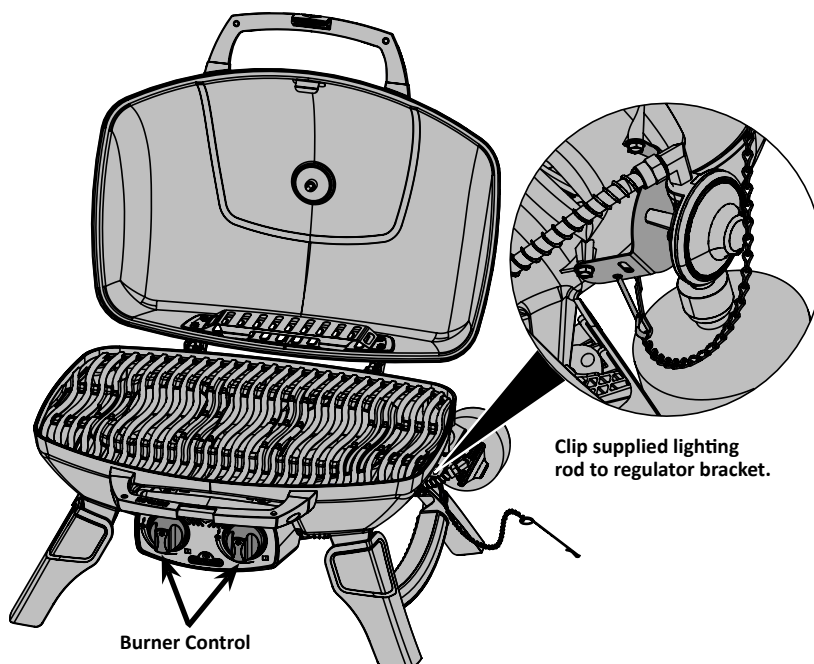
Bubbles will indicate a gas leak. Either tighten the loose joint or have the part replaced with one recommended by the Napoleon Customer Solutions department and have the grill inspected by a certified gas installer.



If the leak cannot be stopped, **immediately shut off the gas supply**, disconnect it, and have the grill inspected by a certified gas installer or dealer. Do not use the grill until the leak has been corrected.



Lighting Instructions



WARNING! Open lid

WARNING! Ensure all burner controls are in the off position. Connect a disposable cylinder or slowly turn on the gas supply valve (large propane cylinder).

Main Burner Lighting

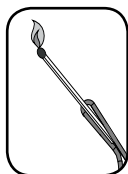
1. Open grill lid

2. Push and turn any main burner control knob slowly to the 'hi' position. This action will ignite the selected burner.

3. If the burner does not ignite, then immediately turn the control knob back to the 'off' position and repeat step 2 several times.

4. If the burner will not ignite within 5 seconds, turn the control knob to the 'off' position and wait 5 minutes for any excess gas to dissipate, either repeat steps 2 and 3 or light with a match.

5. If lighting the unit with a match, clip the match into the supplied lighting rod. Hold the lit match down through the grill while turning the corresponding burner valve to high.



Cooking Instructions



WARNING! Do not use this grill under extended awnings. Failure to follow these instructions could result in a fire or personal injury.



DANGER! Do not put this grill in storage or travel mode immediately after use. Allow the grill to cool to the touch before moving or storing. Failure to do so could result in a fire resulting in property damage, personal injury or death.

Initial Lighting: When lit for the first time, the gas grill emits a slight odor. This is a normal temporary condition caused by the “burn-in” of internal paints and lubricants used in the manufacturing process and does not occur again. Simply run the main burners on high for approximately one-half hour.

Main Burner Use: When searing foods, the lid must be kept open and the burners can be set to high. If cooking with the lid closed, preheat grill on high for 10 minutes with the lid closed, and then turn the main burners to low. Food cooked for short periods of time (fish, vegetables) can be grilled with the lid open. Cooking with the lid closed will ensure higher, more even temperatures that can reduce cooking time and cook meat more evenly. Food that has a cooking time longer than 30 minutes, such as roasts, can be cooked indirectly (with the burner lit opposite to the food placement). When cooking very lean meats, such as chicken breasts or lean pork, the grids can be oiled before pre-heating to reduce sticking. Cooking meat with a high degree of fat content can create flare-ups. Either trim the fat or reduce temperatures to inhibit this. Should a flare-up occur, move food away from the flames and reduce the heat. Leave the lid open. See Your All Season Grill cookbook by Napoleon for more detailed instructions.

Cleaning Instructions



WARNING! Always wear protective gloves and safety glasses when servicing your grill.



WARNING! To avoid the possibility of burns, maintenance should be done only when the grill is cool. Avoid unprotected contact with hot surfaces. Ensure all burners are turned off. Clean grill in an area where cleaning solutions will not harm decks, lawns, or patios. Do not use oven cleaner to clean any part of this gas grill. Do not use a self-cleaning oven to clean cooking grids or any other parts of the gas grill. Barbecue sauce and salt can be corrosive and will cause rapid deterioration of the gas grill components unless cleaned regularly.



Note: Stainless steel tends to oxidize or stain in the presence of chlorides and sulfides, particularly in coastal areas and other harsh environments, such as the warm, highly humid atmosphere around pools and hot tubs. These stains could be perceived as rust, but can be easily removed or prevented. To provide stain prevention and removal, wash all stainless steel and chrome surfaces every 3-4 weeks or as often as required with fresh water and/or stainless steel cleaner.

Cast Iron Cooking Grids: The cast iron cooking grids supplied with your new grill offer superior heat retention and distribution. By regularly seasoning your grids you are adding a protective coating, which will aid in resisting corrosion and increase your grids non-stick capabilities.

First Time Use: Wash the cooking grids by hand with mild dish soap and water to remove any residue from the manufacturing process (never wash in a dish washer). Rinse thoroughly with hot water and dry completely with a soft cloth. This is important to avoid moisture from entering the cast iron.

Seasoning: Using a soft cloth, spread VEGETABLE SHORTENING over the entire grid surface ensuring all grooves and corners are covered. Do not use salted fats such as butter or margarine. Pre-heat your grill for 15 minutes, then place the seasoned cooking grids in the grill. Turn the burner control knobs to medium with the lid closed. Allow the cooking grids to heat for approximately one-half hour. Turn all the burners to the “OFF” position and turn the gas off at the source. Let the cooking grids stand until cool. This procedure should be repeated several times throughout the season, although it is not required for daily use (follow daily usage procedure below).

Daily Usage: Before pre-heating, and cleaning with a brass wire grill brush, coat the entire top surface of the cooking grids with VEGETABLE SHORTENING. Pre-heat the grill and then brush away any unwanted residue with a brass wire brush.

Cleaning Inside The Gas Grill : Remove the cooking grids. Use a brass wire brush to clean loose debris from casting sides and underneath the lid. Brush all debris from inside the gas grill into the removable drip pan.

Drip Pan: Accumulated grease is a fire hazard. Clean the drip pan frequently to avoid grease buildup. Grease and excess drippings pass through to the drip pan, located beneath the gas grill and accumulate. To clean, slide the drip pan free of the grill. Never line the drip pan with aluminum foil, sand or any other material as this could prevent the grease from flowing properly. The pan should be scraped out with a putty knife or scraper.



CAUTION! Ensure drip pan is empty and clean before transporting grill in vertical position.

Cleaning The Outer Grill Surface: Do not use abrasive cleaners or steel wool on any painted, porcelain or stainless steel parts of your Napoleon Grill. Doing so will scratch the finish. Exterior grill surfaces should be cleaned with warm soapy water while the metal is still warm to the touch. To clean stainless surfaces, use a stainless steel or a non-abrasive cleaner. Always wipe in the direction of the grain. Over time, stainless steel parts discolor when heated, usually to a golden or brown hue. This discoloration is normal and does not affect the performance of the grill. Porcelain enamel components must be handled with additional care. The baked-on enamel finish is glass-like, and will chip if struck. Touch-up enamel is available from your Napoleon Grill dealer.

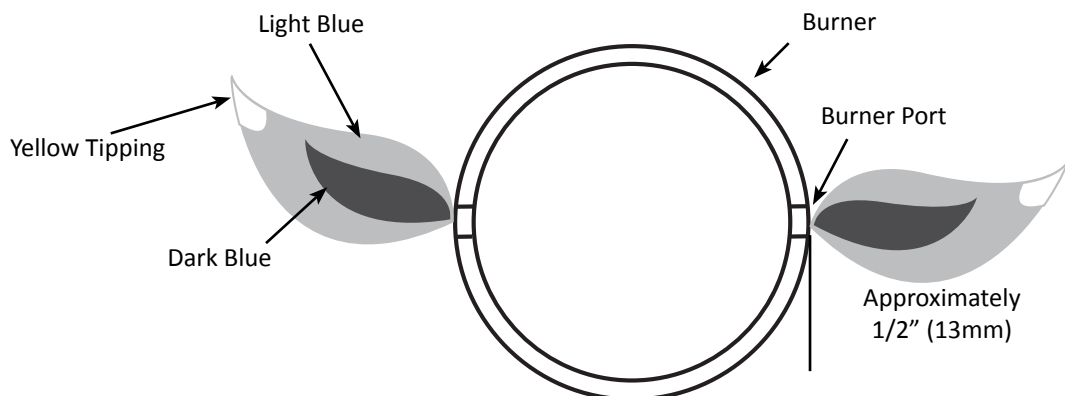
Maintenance Instructions

We recommend this gas grill be thoroughly inspected and serviced annually by a qualified service person. At all times keep the gas grill area free from combustible materials, gasoline and other flammable vapors and liquids. Do not obstruct the flow of ventilation and combustion air.



WARNING! Always wear protective gloves and safety glasses when cleaning your grill.

WARNING! Turn off the gas at the source and disconnect the unit before servicing. To avoid the possibility of burns, maintenance should be done only when the grill is cool. A leak test must be performed annually and whenever any component of the gas train is replaced or gas smell is present.



Combustion Air Adjustment: (This must be done by a qualified gas installer.) The air shutter is factory set and should not need adjusting under normal conditions. Under extreme field conditions, adjustments might be required. When the air shutter is adjusted correctly the flames will be dark blue, tipped with light blue and occasionally yellow.

- With too little air flow to the burner, the flames are lazy yellow and can produce soot.
- With too much air flow, the flames lift erratically and can cause difficulties when lighting.

Adjusting the air shutter:

1. Loosen air-shutter lock screw, located under the control panel, and open or close air shutter as required. The normal setting for the tube burner is 1/16" (1.5mm).
2. Light burner and set to high. Visually inspect burner flames. When shutters are set, turn burner off, tighten locking screw. Be sure the air shutter does not move when tightening the screw.

Burner: The burner is made from heavy wall 304 stainless steel, but extreme heat and a corrosive environment can cause surface corrosion to occur. This can be removed with a brass wire brush.

CAUTION! Beware of Spiders.



Spiders and insects are attracted to the smell of propane and natural gas. The burner is equipped with an insect screen on the air shutter, which reduces the likelihood of insects building nests inside the burner but does not entirely eliminate the problem. A nest or web can cause the burner to burn with a soft yellow

or orange flame or cause a fire (flashback) at the air shutter underneath the control panel. To clean the inside of the burner, it must be removed from the gas grill: Remove the screw (s) that attach the cross light bracket and the burner to the base. Slide the burner back and upwards to remove. Cleaning: Use a flexible venturi tube brush to clean the inside of the burner. Shake any loose debris from the burner through the gas inlet. Check the burner ports and valve orifices for blockages. Burner ports can close over time due to cooking debris and corrosion; use an opened paperclip to clean them. The ports are easier to clean if the burner is removed from the grill, but it can also be done with the burner installed.

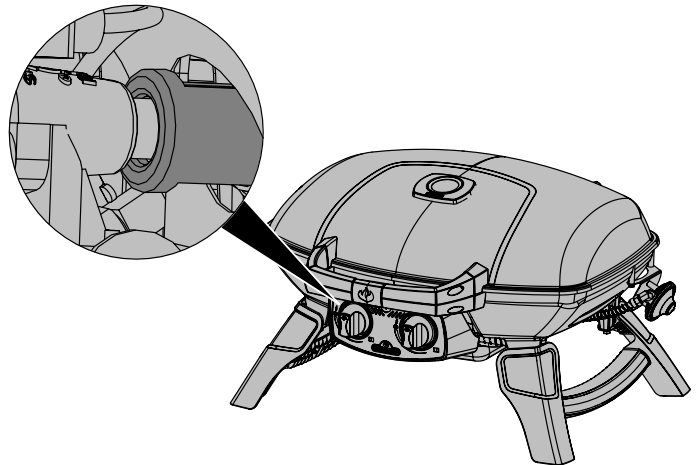
CAUTION! Take care not to enlarge the holes.

Ensure the insect screen is clean, tight, and free of any lint or other debris.

Reinstallation: Reverse the procedure to reinstall the burner. Check that the valve enters the burner when installing. Replace cross light bracket and tighten screws to complete reinstallation.



WARNING! When reinstalling the burner after cleaning it is very important that the valve/orifice enters the burner tube before lighting your gas grill. If the valve is not inside the burner tube a fire or explosion could occur.



WARNING! Hose (optional): Check for abrasions, melting, cuts, and cracks in the hose. If any of these conditions exist, do not use the gas grill. Have the part replaced by your Napoleon Gas Grill dealer or qualified gas installer.

Troubleshooting

Problem	Possible Causes	Solution
Low heat / Low flame when valve turned to high.	Blockage of gas. Improper preheating. Cylinder freezing up.	Check for spider webs in the burner or orifice. Preheat grill with main burners on high for 5 to 10 minutes. When cooking for long periods of time, or when the cylinder is close to being empty, or low outside air temperatures, 1 lb cylinders do not have enough wetted surface area to allow liquid propane to turn to vapour. Put on a fresh 1 lb cylinder or hook-up to a 20 lb tank.
Excessive flare-ups/uneven heat.	Improper preheating. Excessive grease and ash build up in drip pan.	Preheat grill with both main burners on high for 5 to 10 minutes. Clean drip pan regularly. Do not line pan with aluminum foil. Refer to cleaning instructions.
Burners burn with yellow flame, accompanied by the smell of gas.	Possible spider web or other debris, or improper air shutter adjustment.	Thoroughly clean burner by removing. See general maintenance instructions. Open air shutter slightly according to combustion air adjustment instructions. (This must be done by a qualified gas installer.)
Flames lift away from burner, accompanied by the smell of gas, and possibly difficulties in lighting.	Improper air shutter adjustment.	Close air shutter slightly according to combustion air adjustment instructions. (This must be done by a qualified gas installer.)
Burner will not light with the igniter, but will light with a match.	Jet-fire outlet is dirty or clogged.	Clean jet-fire outlet with a soft bristle brush.
Humming regulator.	Normal occurrence on hot days.	This is not a defect. It is caused by internal vibrations in the regulator and does not affect the performance or safety of the gas grill. Humming regulators will not be replaced.
"Paint" appears to be peeling inside lid or hood.	Grease build-up on inside surfaces.	This is not a defect. The lid and hood are stainless steel, and will not peel. The peeling is caused by hardened grease, which dries into paint-like shards that flake off. Regular cleaning will prevent this. See cleaning instructions.
Burner output on "high" setting is too low. (Rumbling noise and fluttering blue flame at burner surface.)	Lack of gas. Supply hose is pinched. Dirty or clogged orifice. Spider webs or other matter in venturi tube.	Check gas level in propane cylinder. Reposition supply hose as necessary. Clean burner orifice. Clean out venturi tube.

KEEP YOUR RECEIPT AS PROOF OF PURCHASE TO VALIDATE YOUR WARRANTY.

Ordering Replacement Parts

Warranty Information

MODEL: _____

DATE OF PURCHASE: _____

SERIAL NUMBER: _____

(Record information here for easy reference)

Before contacting the Customer Solutions Department, check the Napoleon Website for more extensive cleaning, maintenance, troubleshooting and parts replacement instructions at www.napoleongrills.com. Contact your local distributor directly (refer to the distributor contact list provide with your grill) for replacement parts and warranty claims.

To process a claim, we must be provided with the following information:

1. Model and serial number of the unit.
2. Part number and description.
3. A concise description of the problem ('broken' is not sufficient).
4. Proof of purchase (photocopy of the invoice).

In some cases the Customer Solutions Representative could request to have the parts returned to the factory for inspection before providing replacement parts. These parts must be shipped prepaid to the attention of the Customer Solutions Department with the following information enclosed:

1. Model and serial number of the unit.
2. A concise description of the problem ('broken' is not sufficient).
3. Proof of purchase (photocopy of the invoice).
4. Return Authorization Number - provided by the Customer Solutions Representative.

Before contacting Customer Solutions Representative, please note that the following items are not covered by the warranty:

- Costs for transportation, brokerage or export duties.
- Labour costs for removal and reinstallation.
- Costs for service calls to diagnose problems.
- Discoloration of stainless steel parts.
- Part failure due to lack of cleaning and maintenance, or use of improper cleaners (oven cleaner).

Parts List

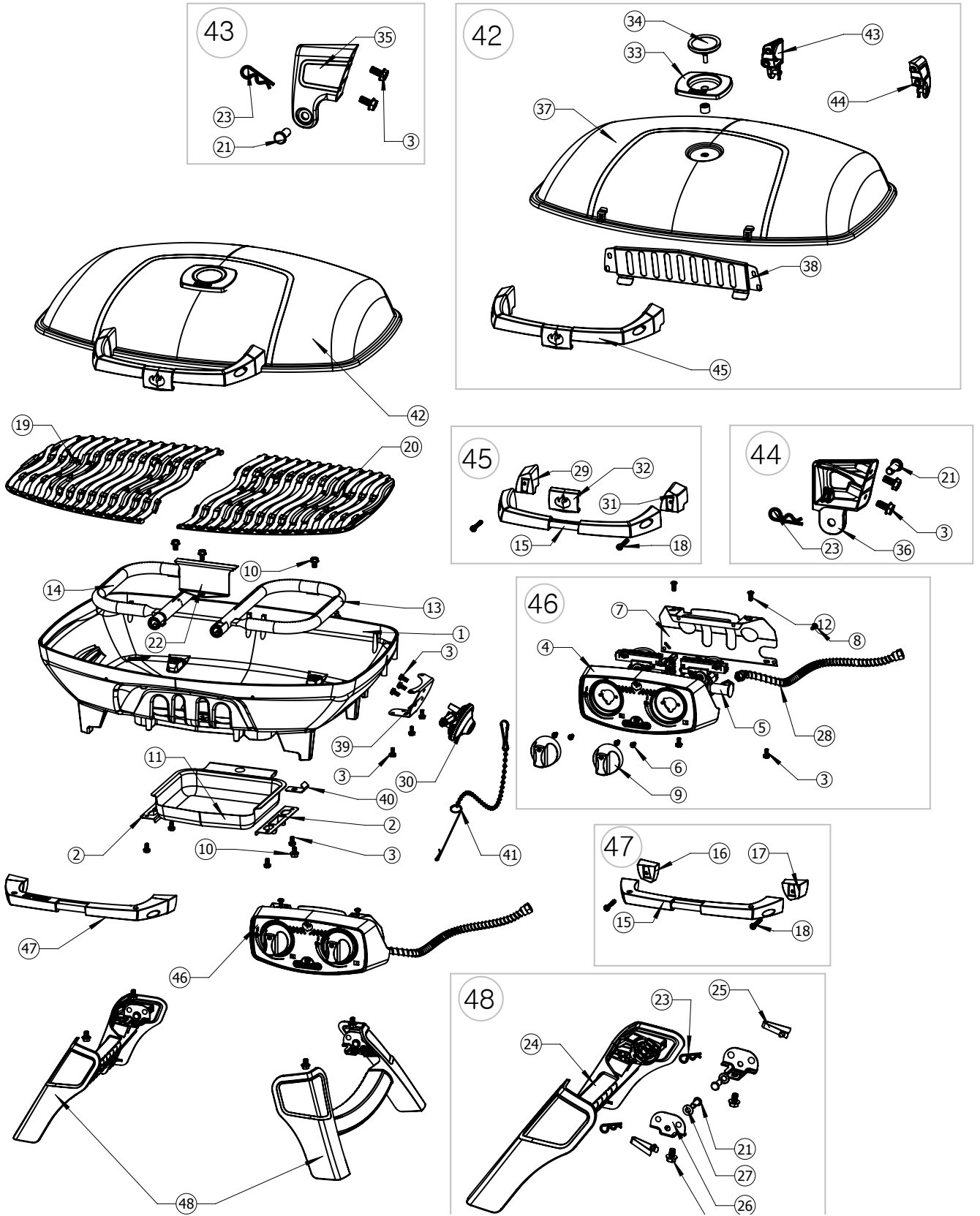
Item	Part #	Description	
1	N135-0045-BK1HT	base	x
2	N080-0304	bracket drip pan support	x
3	N570-0104	screw 10-24 x 3/8"	x
4	N475-0319	control panel	x
5	N010-0773	manifold assembly	x
6	N570-0078	screw M4 x 8mm	x
7	N585-0089-BK1HT	heat shield control panel	x
8	N570-0076	screw 8 x 1/2"	x
9	N380-0020-RD	control knob	x
10	N570-0073	screw 1/4-20 x 3/8"	x
11	N710-0079	drip pan	x
12	Z570-0033	screw 10-24 x 1/2"	x
13	N100-0047	burner right	x
14	N100-0046	burner left	x
15	N325-0082	handle top/bottom	x
16	N655-0158	support handle left	x
17	N655-0159	support handle right	x
18	Z570-0029	screw 10-24 x 35mm	x
19	N305-0087-BK2FL	cooking grid left	x
20	N305-0088-BK2FL	cooking grid right	x
21	N485-0020	clevis pin	x
22	N080-0302	cross light bracket	x
23	N485-0021	cotter pin	x
24	N075-0090	leg	x
25	N630-0005	spring clip	x
26	N080-0303	bracket leg	x
27	N735-0017	washer teflon 12mm x 6mm x 1mm	x
28	N720-0060	flex connector manifold	x
29	N655-0156	support lid handle left	x
30	N530-0045	regulator	x
31	N655-0157	support lid handle right	x
32	N390-0003	latch handle	x
33	N051-0009	bezel temperature gauge	x
34	N685-0015	temperature gauge	x
35	N330-0020	hinge left	x
36	N330-0021	hinge right	x
37	N010-0776-BL4HM	lid blue	x
	N010-0776-RD4HM	lid red	x
38	N215-0013	wind shield	x
39	N585-0088-BK1HT	heat shield regulator	x
40	N160-0025	clip flex connector	x
41	N555-0058	lighting rod	x
42	N010-0776-BL4HM-SER	assembly lid blue	x
	N010-0776-RD4HM-SER	assembly lid red	x
43	N330-0020-SER	assembly hinge left	x
44	N330-0021-SER	assembly hinge right	x
45	N325-0082T-SER	assembly handle top	x
46	N475-0319-SER	assembly control panel	x
47	N325-0082B-SER	assembly handle bottom	x

Parts List

Item	Part #	Description	
48	N075-0090-SER	assembly leg	x
	66011	adapter hose	ac
	68285	vinyl cover	ac
	56080	griddle	ac
	66011	lage tank adapter hose	ac

x - standard ac - accessory

Parts Diagram

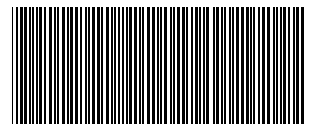


Notes

Notes



Napoleon products are protected by one or more U.S. and Canadian and/or foreign patents or patents pending.



N415-0289-AU