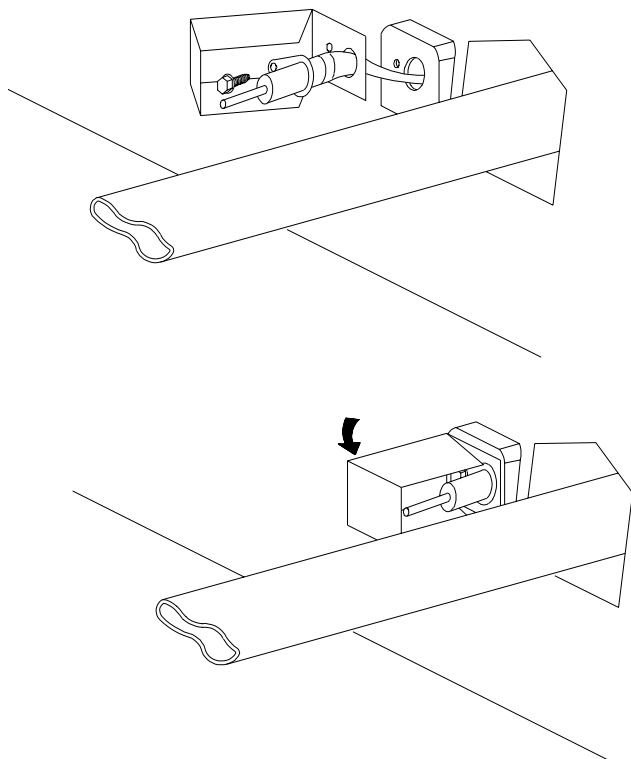


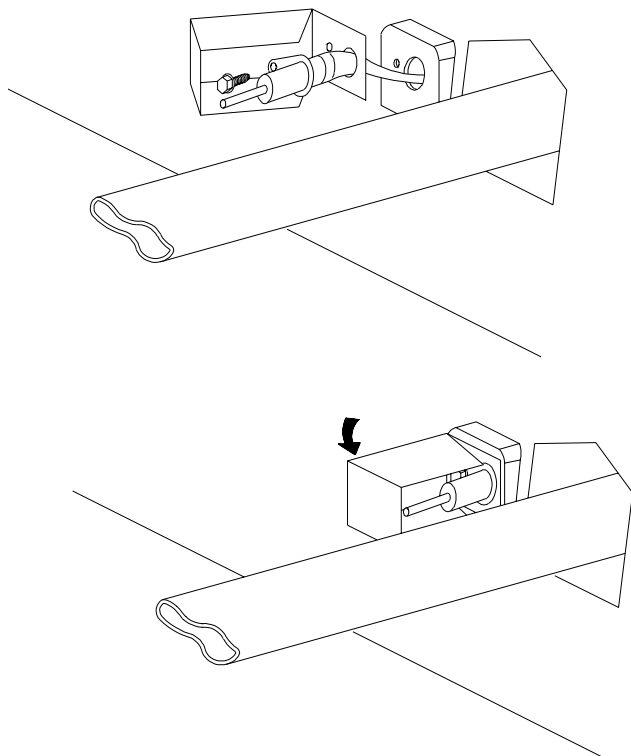
ELECTRODE AND COLLECTOR BOX INSTALLATION



1. Disconnect the electrode wire from the ignitor.
2. Bend open collector box and remove screw. Remove the collector box and electrode.
3. Slide new electrode wire through the hole in the collector box and the hole in the base. Fasten the collector box to the base.
4. Bend the collector box closed (parallel to the burner). The gap from the tip of the electrode to the end of the box should be between 1/8" and 3/16".
5. Reconnect the electrode wire to the ignitor.

N415-0039 / AUG 28/06

ELECTRODE AND COLLECTOR BOX INSTALLATION



1. Disconnect the electrode wire from the ignitor.
2. Bend open collector box and remove screw. Remove the collector box and electrode.
3. Slide new electrode wire through the hole in the collector box and the hole in the base. Fasten the collector box to the base.
4. Bend the collector box closed (parallel to the burner). The gap from the tip of the electrode to the end of the box should be between 1/8" and 3/16".
5. Reconnect the electrode wire to the ignitor.

N415-0039 / AUG 28/06