

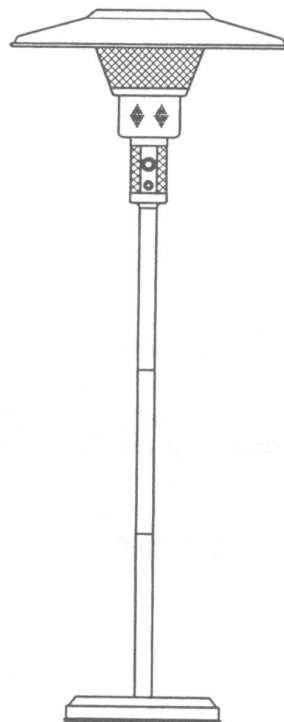


NATURAL GAS PATIO HEATER

USER INSTALLATION AND OPERATION GUIDE

INDEX

General and specifications	1
Security and caution	1,2
Tools and accessories required	2
Assembly instructions	3
Verifying the connections	4
Choosing a location for the heater	5
Operation	5
Storage and maintenance	6



Carefully read this guide and all safety information before assembling and setting up the heater

THIS APPLIANCE IS APPROVED FOR OUTDOOR USE ONLY

Napoleon Appliance Corporation
214 Bayview Dr. Barrie, ON,
Canada L4N 4Y8,
TEL: 705-726-4278

This appliance is an infrared NATURAL GAS heater.
The burner is controlled and adjusted by the gas control knob.
Gas supply is controlled by the valve on the gas source.

The burner is made of stainless steel. Heat diffusion is assisted by the reflector above.

Technical specification:

- Operating pressure : 7" W.C.
- Maximum output : 45.000 btu/h
- Minimum output : 25.000 btu/h
- Gas consumption at HIGH : 1 kg/h
- Approx. weight ; 27 kg
- Burner orifice size : 3.2 mm

FOR YOUR SAFETY

1. If you smell gas :
 - Turn off the gas at the supply.
 - Extinguish all open flame
 - Proceed to do a leak test
 - If bubbles are detected, retighten connections. If no leaks are detected, open gas valve at the supply and verify if you smell gas.
 - If you still smell gas, shut-off heater completely and the gas supply.
Call the retailer where you purchased the heater or contact a gas appliance service center.
2. Never store or handle gas, or any other inflammable vapors or liquids in the vicinity of your Patio Heater or any gas appliance.

CAUTION

Faulty installation, modifications, repairs or maintenance to the appliance may cause personal injury or damage to property.

Carefully read this User Guide before assembling and setting up the heater.

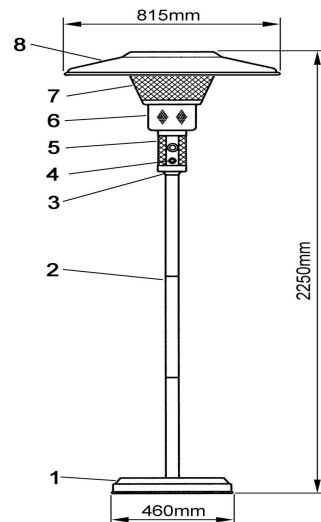
Keep this guide for future reference.

CAUTION

- DO NOT operate the heater in an explosive environment. Keep this appliance away from areas where are stored gas, or other vapors and inflammable liquids.
- Before use, verify that no parts are damaged, inspect gas hose.
- Never modify, in any way, this appliance.
- Never use the heater without the reflector.
- Respect minimum clearance from combustibles are seen in figure 12.
- Always place heater on a leveled, stable and hard surface.
- Only use this heater outdoors.
- Never clean with abrasive, corrosive or inflammable cleaners.
- Do not paint the heater or some of its parts.
- When fully assembled proceed to a leak test, and every time you disconnect the hose, before lighting up the heater.
- To leak test, use a 50/50 mix of each water and soap in a vaporizing bottle.
- NEVER LEAK TEST with an open flame or while smoking.
- The gas supply must be closed at all times when not using the heater.
- Children and adults should be made aware of hot surfaces on the heater.
- Clothing and other accessories or object are not to be hung on the heater, laid on or near it to dry.
- Installation, maintenance and repair of this heater should always be performed by a qualified gas technician.

PARTS LIST

- 1 Base
- 2 Post
- 3 Control housing base
- 4 Gas valve controller
- 5 Air admittance fences
- 6 Burner assembly
- 7 Flame screen
- 8 Reflector



B. Construction Characteristics

1. Operation Principle

- Flame is burned inside the emitter grid (or screen).
- The emitter screen collects the flame energy and transforms it to infra red heat.
- The reflector canopy reflects heat down to the coverage area.

2. Gas Valve Features

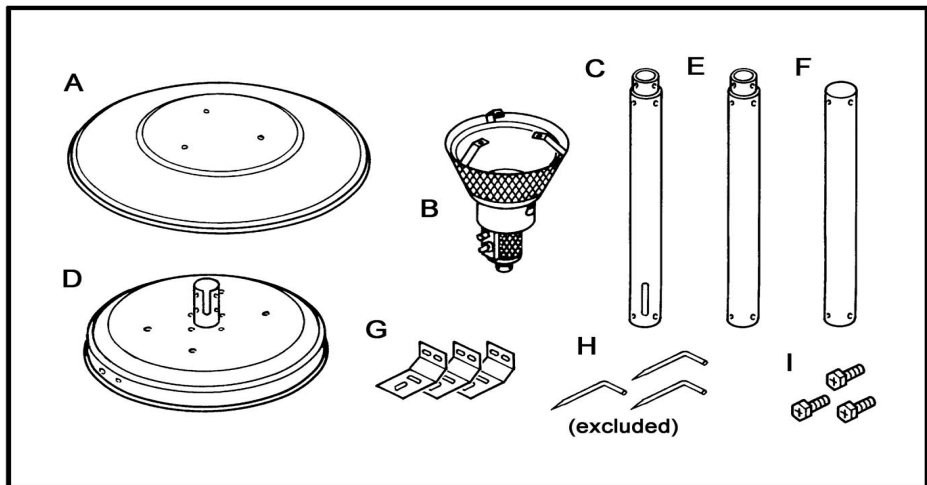
- Each unit comes complete with the own built-in igniter.
- Automatic shut-off of gas valve when no heat from the flame is detected.
- Specially coated gas pipe to prevent corrosion due to moisture.

ASSEMBLY PROCEDURE

TOOLS NEEDED (NOT SUPPLIED)

- 10mm Open Ended Wrench
- 13mm Open Ended Wrench
- 2 8 "Adjustable Wrenches
- Slip joint pliers 9 inches long
- Philips Screwdriver Medium Blades
- eflon Plumbing Tape for Joints
- Spray Bottle Filled with Soapy Water to Check for Leaks

PARTS CHECK LIST:

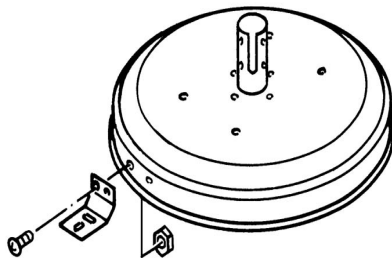


L  M6x10 Screw x22

M  Butterfly nut x 3

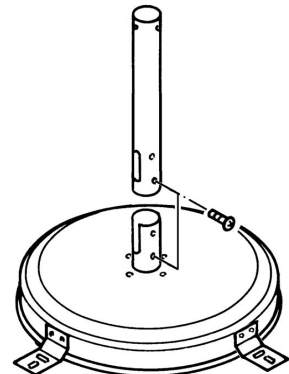
STEP 1:

- 1.1 Using screws(M), place L-shaped stabilizers (G) to bottom base(D).



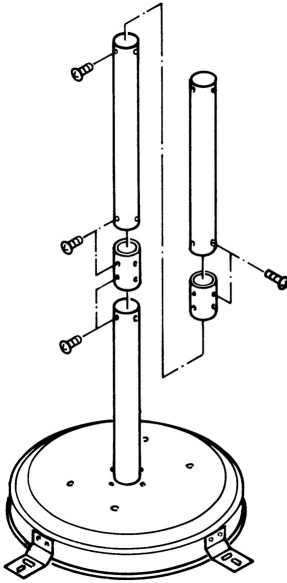
STEP 2:

- 2-1 Place base post (F) on the bottom base(D) upward.
2-2 Secure using screws.



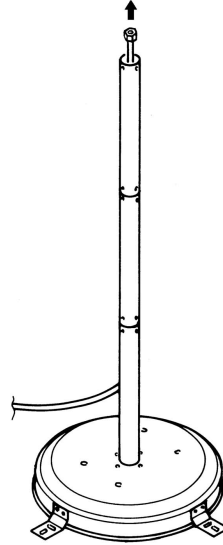
STEP 3:

- 3-1 Connect all center post sections together (C and E).
- 3-2 Secure with screws (L).



STEP 4:

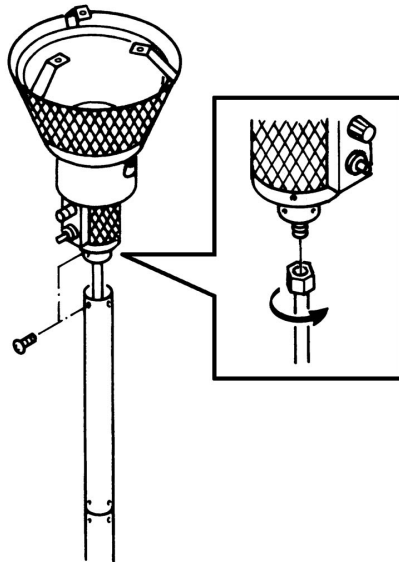
- 4-1 Place hose through the opening on bottom base.
- 4-2 Pull hose upward through center pole.
- 4-3 Hose is not included and should be provided by local gas company when connected by a local gas professional.
- 4-4 Never connect to a propane cylinder. Use natural gas only.



STEP 5:

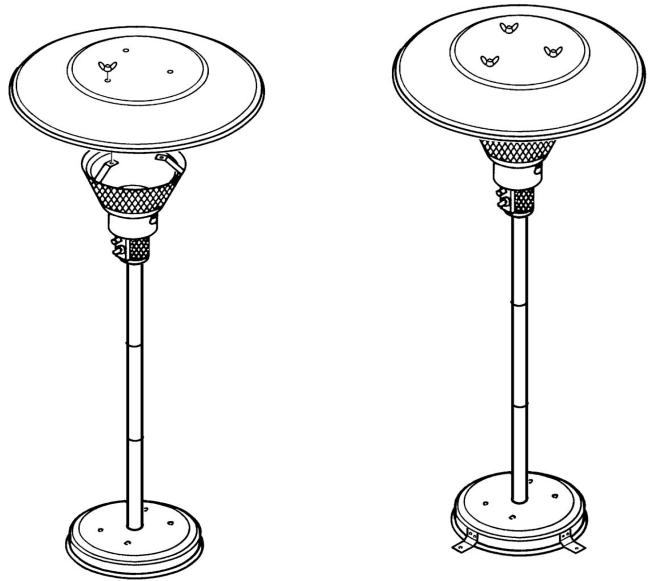
- 5-1 Connect hose to valve by turning tight. (B) to center post (E) with screws that are already affixed to the burner assembly.

- 5-2 Secure entire top burner assembly. Assemble the reflector pieces to the middle piece using the small washers and the acorn nuts.



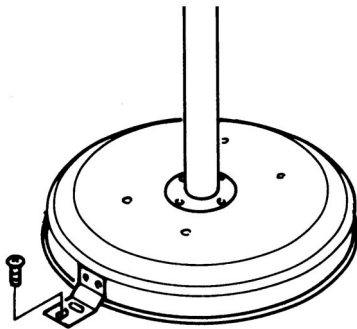
STEP 6:

- 6-1 Place 3 reflector washers (N) on top of burner then place reflector on top of burner.
- 6-2 Place 3 pcs of wing nuts (M) on top of the supporting bolts and tighten them.



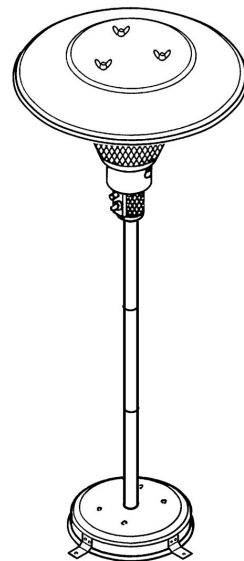
STEP 7:

- 7-1 Bolt 3 bolts down to the floor to secure heater into place through the opening on the L-shaped stabilizer as shown.
- 7-2 3 bolts for wooden(l) are provided, but the 3 bolts for soil surfaces (H) are not included into the package. Should be the heater needs to be placed on other surfaces, please purchase the different types of bolts accordingly from your local hardware store.



STEP 8:

- 8-1 Setup is now complete. Please check and make sure that the center post and the burner assembly stand vertically as shown.
- 8-2 Make sure all bolts and nut pairs are tightened.
- 8-3 Ensure correct connection by local gas professional.



LEAK TEST

Now that the heater is assembled, for your safety you must perform a leak test of all connections and hoses.

Mix in a vaporizing bottle equal parts of water and soap.

- Ensure that the heater gas control knob is fully closed by turning completely clockwise
- Open the gas supply valve.
- Apply generously the solution to all connections and hoses.

If you detect bubbles, there is a leak. Close the gas supply valve completely. Retighten the leaking connection and repeat leak test process.

If the leak cannot be repaired permanently, close the gas supply valve completely and contact the retail outlet where you purchased the heater or a qualified gas technician.

A SAFE LOCATION FOR THE HEATER

CAUTION

When objects are left under a heater in operation, they will be subject to radiant heat and might be damaged.

- The principal application of this heater is to give the comfort of heat to pool and spa areas, terraces, work areas, etc.

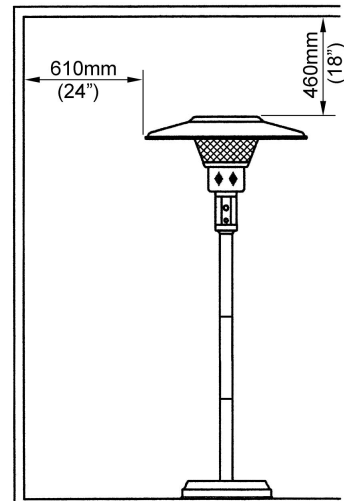
This heater is approved for outdoor use only.

- Provide fresh air ventilation at all times
- Respect minimum clearances to combustibles as shown in figure below.
- Install heater on a leveled, solid and stable ground.
- Do not install in an explosive environment. Keep away from areas from where gas, vapors or inflammable liquids are stored or used.
- In case of high winds, shut-off completely the heater and the cylinder gas valve. Remove reflector dome.
- Do not move the heater when hot.

CLEARANCES FROM COMBUSTIBLES


Respect clearances as shown:

- Sides of reflector : 24 inches
- Above reflector : 18 inches



OPERATION

TO LIGHT-UP

1. Open valve at gas source.
2. Push and turn counter-clockwise control knob to the  position.
3. While depressing control knob, press and hold the continuous spark igniter button to light up burner. When flame is visible, keep control knob depressed for 30 seconds.
If lighter fails to light burner after 8 seconds, release control knob, turn to OFF and wait 5 minutes.
If gas hose is connected for the first time, it will take a few Seconds to empty its air and to allow gas to reach the burner.
4. Release control knob, burner flame should stay lit.
If not, repeat steps 1 to 4 or you may light with a match.
7. Turn control knob to HI for intensity.

TO TURN OFF

1. Push and turn control knob clockwise to OFF
2. Turn off valve at gas source.

PREVENTIVE CARE AND MAINTENANCE

Once a year, the heater should be inspected for debris, insects, spider webs, that could obstruct the burner. The burner area is likely to attract spiders. This may damage the burner if it is not kept clean of debris.

HAVE THE HEATER INSPECTED IF

- You smell gas combined with yellow tipped flames on burner.
- Heater does not provide expected heat capacity.
- Burner makes little explosion sounds while operating.

This sound is normal when turning off the heater.

PRECAUTIONS

- Test periodically for leaks in the system, or immediately when you smell gas.
- In case a leak is detected, put out all open flame in the area.
- Never leak test while smoking.
- If you cannot repair a leak, turn off the gas supply valve and contact the retailer where you purchased the heater or a qualified technician.
- Do not alter or modify this heater in any way.
- Contact the manufacturer for replacement parts.
- The installation of this appliance should be done by a certified gas technician in accordance with all local, building and municipal codes.