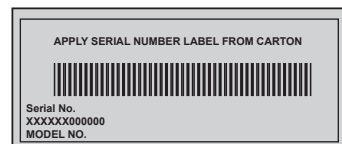
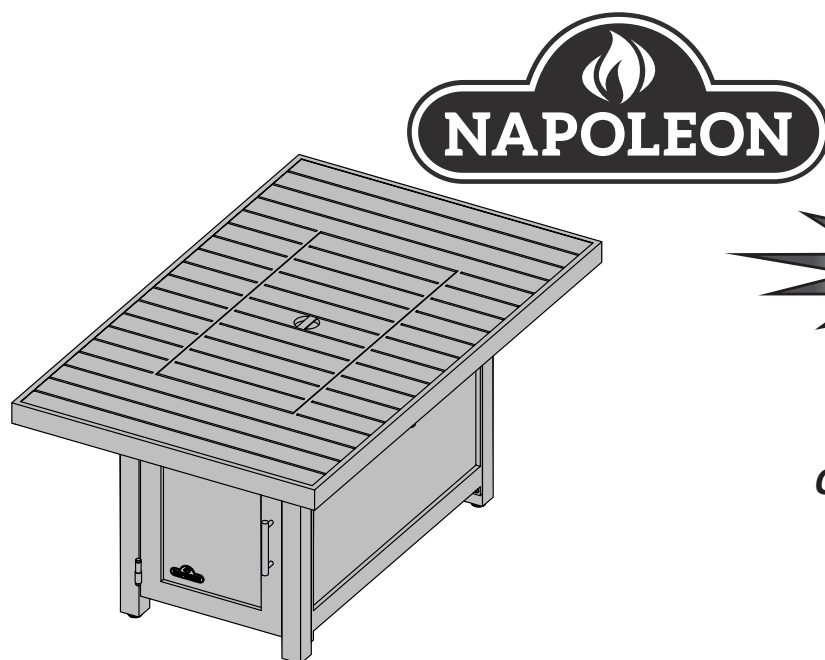


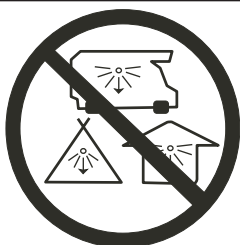
This gas appliance must be used only outdoors in a well-ventilated space and must not be used inside a building, garage, screened-in porch, gazebo or any other enclosed area.

EN

DE
PG.31



PATIOFLAME
OUTDOOR GAS FIREPIT
HAMP1 (GPFR40)
HAMP2 (GPFS40)



DANGER! CARBON MONOXIDE HAZARD

This appliance can produce carbon monoxide, which has no odor. Using it in an enclosed space can kill you. Never use this appliance in an enclosed space such as a camper, tent, car or home.



DANGER

IF YOU SMELL GAS:

- Shut off gas to the appliance.
- Extinguish any open flame.
- If odor continues, keep away from the appliance and immediately call your gas supplier or fire department.



WARNING! For Outdoor Use Only.



WARNING

Do not try to light this appliance without reading the "LIGHTING" instructions section of this manual.

Do not store or use gasoline or other flammable liquids or vapors in the vicinity of this or any other appliance. An L.P. cylinder not connected for use must not be stored in the vicinity of this or any other appliance. If the information in these instructions is not followed exactly, a fire or explosion may result, causing property damage, personal injury or death.

INSTALLER: LEAVE THIS MANUAL WITH THE APPLIANCE.

CONSUMER: RETAIN THIS MANUAL FOR FUTURE REFERENCE.



N415-0388CE-GB-DE OCT 23.17

Wolf Steel Europe BV
Poppenbouwing 29-31, 4191 NZ Geldermalsen,
CCI No. 51509970, THE NETHERLANDS
info@napoleongrills.nl

www.napoleongrills.com

Napoleon President's 3 Year Limited Warranty



NAPOLEON products are designed with superior components and materials, and are assembled by trained craftsmen who take great pride in their work. This product has been thoroughly inspected by a qualified technician before packaging and shipping to ensure that you, the customer, receive the quality product you expect from NAPOLEON.

NAPOLEON warrants that components in your new NAPOLEON product will be free from defects in material and workmanship from the date of purchase, for the following period:

Aluminum table top and pedestal	3 years
Stainless steel housing.....	3 years
Stainless steel burner assembly.....	3 years
All other parts	2 years

* Conditions and Limitations

This Limited Warranty creates a warranty period as specified in the aforementioned table, for any product purchased through an authorized NAPOLEON dealer, and entitles the original purchaser to the specified coverage in respect of any component replaced within the warranty period, either by NAPOLEON or an authorized NAPOLEON dealer, to replace a component of such product that has failed in normal private use as a result of a manufacturing defect. The "50% off" indicated in the table means the component is made available to the purchaser at a 50% discount off the regular retail price of the component for the period indicated. This Limited Warranty does not cover accessories or bonus items.

For greater certainty, "normal private use" of a product means that the product: has been installed by a licensed, authorized service technician or contractor, in accordance with the installation instructions included with the product and all local and national building and fire codes; has been properly maintained; and has not been used as a communal amenity or in a commercial application.

Similarly, "failure" does not include: over-firing, blow outs caused by environmental conditions such as strong winds or inadequate ventilation, scratches, dents, corrosion, deterioration of painted and plated finishes, discoloration caused by heat, abrasive or chemical cleaners or UV exposure, chipping of porcelain enameled parts, or damages caused by misuse, accident, hail, grease fires, lack of maintenance, hostile environments such as salt or chlorine, alterations, abuse, neglect or parts installed from other manufacturers.

Should deterioration of parts occur to the degree of non-performance (rusted through or burnt through) within the duration of the warranted coverage, a replacement part will be provided. The replacement component is the sole responsibility of NAPOLEON defined by this Limited Warranty; in no event will NAPOLEON be responsible for installation, labor or any other costs or expenses related to the re-installation of a warranted part, for any incidental, consequential, or indirect damages or for any transportation charges, labor costs or export duties.

This Limited Warranty is provided in addition to any rights afforded to you by local laws. Accordingly, this Limited Warranty imposes no obligation upon NAPOLEON to keep parts in stock. Based on the availability of parts, NAPOLEON may at its discretion discharge all obligations by providing a customer a prorated credit towards a new product. After the first year, with respect to this Limited Warranty NAPOLEON may, at its discretion, fully discharge all obligations with respect to this warranty by refunding to the original warranted purchaser the wholesale price of any warranted but defective part(s).

The bill of sale or copy will be required together with a serial number and a model number when making any warranty claims from NAPOLEON. NAPOLEON reserves the right to have its representative inspect any product or part prior to honoring any warranty claim. You must contact NAPOLEON Customer Service or an authorized NAPOLEON dealer to obtain the benefit of the warranty coverage.



napoleongrills.com



WARNING! For Outdoor Use Only.



WARNING! Improper installation, adjustment, alteration, service or maintenance can cause injury or property damage. Read the installation, operating and maintenance instructions thoroughly before installing or servicing this gas appliance.

EN

Safe Operating Practices

- **THIS APPLIANCE IS HOT WHEN OPERATING AND CAN CAUSE SEVERE BURNS IF CONTACTED.**
- **Installation and repair should be done by a qualified service person. The appliance should be inspected before use and at least annually by a qualified service person. More frequent cleaning may be required as necessary. It is imperative the control compartment, burners and circulating air passageways of the appliance be kept clean.**
- Do not operate appliance before reading and understanding operating instructions. Failure to operate appliance according to operating instructions could cause fire or injury.
- Risk of burns. The appliance should be turned off and cooled before servicing.
- Do not install damaged, incomplete or substitute components.
- This appliance has a naked flame and does not give full protection for children or the infirm, extra protection should be considered for these conditions.
- **Young children should be carefully supervised when they are in the area of the appliance. Toddlers, young children and others may be susceptible to accidental contact burns. A physical barrier is recommended if there are at risk individuals in the vicinity. To restrict access to an appliance or stove, install an adjustable safety gate to keep toddlers, young children and other at risk individuals out of the vicinity and away from hot surfaces.**
- Ensure you have incorporated adequate safety measures to protect infants/toddlers from touching hot surfaces.
- Under no circumstances should this appliance be modified.
- Keep the packaging material out of reach of children and dispose of the material in a safe manner. As with all plastic bags, these are not toys and should be kept away from children and infants.
- Do not use in high winds.
- Do not leave appliance unattended when in use.
- For Outdoor use only.
- This appliance must not be used for cooking.
- This appliance is a decorative effect gas heater, and should never be used with solid fuel (e.g. coal, charcoal, wood etc.) and must not be used as an incinerator to burn waste. Furthermore the appliance must never be used on Liquid fuels (e.g petrol, paraffin etc.)
- Improper installation, adjustment, alteration, service, or maintenance can cause injury or property damage. Read the installation, operating and maintenance instructions thoroughly before installing or servicing this equipment.
- This appliance shall be used ONLY outdoors in a well-ventilated space and shall NOT be used inside a building, garage, or any other enclosed area.
- This appliance is designed to be run on either Propane gas (LP) or Natural Gas, however the gas type required must be specified at time of purchase, and the installer must check the appliance data plate to ensure it corresponds to the gas type to which is to be connected.
- Cylinders must be stored outdoors in a well-ventilated area out of reach of children. Disconnected cylinders must have threaded valve plugs tightly installed and must not be stored in a building, garage or any other enclosed area. Always store cylinders in accordance with the 'Code of Practice for keeping liquefied petroleum gas in cylinders' published by the Health and Safety Executive available from HMSO.
- Storage of this appliance indoors is permissible only if it has been disconnected from its fuel supply (natural gas line or LP gas cylinder).
- If it is evident there is excessive abrasion or wear, or the hose is cut, it must be replaced prior to the appliance being put into operation.
- This appliance is not designed as a dryer. It is not therefore recommended that the appliance be used in such a manner. Do not place any articles within 1m of the appliance as this may result in damage to the articles.
- **Clothing or other flammable materials should not be hung from the appliance, or placed on or near the appliance.**
- **Any guard or other protective device removed for servicing the appliance must be replaced prior to operating the appliance.**
- Inspect the fuel supply connection for signs of leakage before each use of the appliance.
- The pressure regulator and hose assembly supplied must be used. Replacement pressure regulators and hose assemblies must be those specified in this manual.
- The cylinder supply system must be arranged for vapour withdrawal.
- The cylinder used must include a collar to protect the cylinder valve.
- When not in use, the appliance must be turned off at the gas supply.
- To extend the life of your appliance, protect and cover it from the elements when not in use.

Location

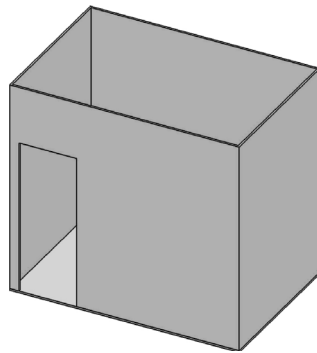
Locating Your Outdoor Appliance

It is important when selecting a location for your appliance to ensure clearances to adjacent combustibles are met. This appliance is intended for installation on an outdoor patio or in your yard. It is highly recommended that this appliance be installed in a sheltered area (following the guidelines outlined below). Direct wind will cause an erratic flame and possible pilot or main burner outage. An erratic flame could also lead to excessive carboning (black soot), this condition is not a safety issue but is visually undesirable.

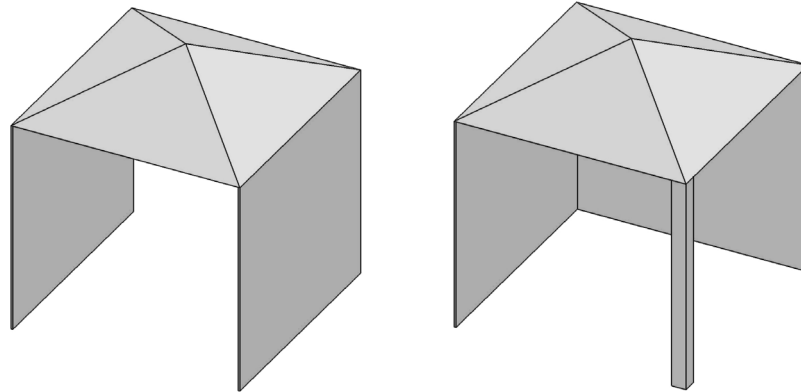
Note: When choosing a location for your appliance, care must be taken to avoid areas where excessive moisture or running water may be a problem.

Any enclosure (shelter) in which the appliance is used must comply with one of the following:

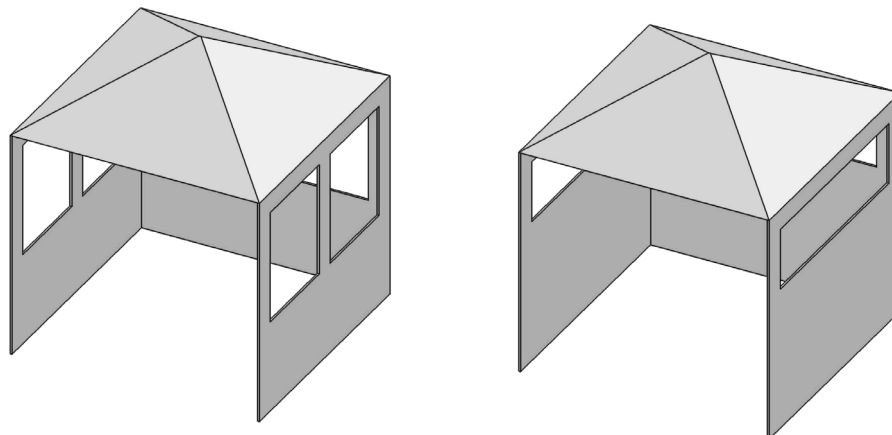
With walls on all sides, but at least one permanent opening at ground level and no overhead cover.



Within a partial enclosure which includes an overhead cover and no more than two sidewalls. These sidewalls may be parallel, as in a breezeway, or at right angles to each other.



Within a partial enclosure which includes an overhead cover and three sidewalls, as long as 30 percent or more of the horizontal periphery of the enclosure is permanently open.



Correct Disposal Of This Product



This marking indicates that this product should not be disposed with other household wastes throughout the EU. To prevent possible harm to the environment or human health from uncontrolled waste disposal, recycle it responsibly to promote the sustainable reuse of material resources. To return your used device, please use the return and collection systems or contact the retailer where the product was purchased. They can take this product for environmental safe recycling.

Gas Cylinder

Use only gas cylinders, which meet national and regional codes. For optimal performance the grill should be operated on propane. The minimum cylinder size for butane units is 13kg, and for propane units is 6kg. Ensure that the cylinder can provide enough fuel to operate the appliance. If in doubt, check with your local gas supplier.

- Use caution when handling the cylinder valve.
- Never connect a cylinder, which does not meet local codes.
- All cylinders 7kg or larger must be placed outside the enclosure on level ground. Cylinders smaller than 7kg (maximum size 465mm high by 306mm wide) may be placed inside the enclosure. Only cylinders connected to the appliance may be stored in the enclosure, or close to the appliance. Spare cylinders must not be stored in the enclosure, or in close proximity of an operating unit. Cylinders must not be exposed to extreme heat or direct sunlight.



WARNING! Ensure that the hose is routed to maintain proper clearance to the underside of the unit. Hoses that contact high temperature surfaces may melt and leak, causing a fire.

Cylinder Connection: Remove the cap or plug from the cylinder fuel valve. Tighten regulator to cylinder valve. *Leak test all joints prior to using.* A leak test must be performed annually, and each time a cylinder is hooked up, or if a part of the gas system is replaced.

Gas Hose

- If the hose and regulator are not included by the manufacturer, then only hoses and regulators which meet national and regional codes are to be used.
- Ensure that the gas hose does not come into contact with any hot surfaces on the appliance - particularly the underside of the burner.
- Check hose regularly. In the case of rips, melting or wear, replace hose before using the appliance.
- The recommended hose length is 0.9m. The hose must not be longer than 1.5m.
- Ensure that the hose is twist and kink free when installed.
- Replace the hose before expiry date printed on the hose.

Technical Data

The following table lists input values for the appliance.

Orifice Size			(Gross) Heat Input (Total)	Gas Usage (Total)	
I	II	III		I/II	III
#51	#53	#36	11.5 kW	837 g/hr	1092 L/hr

Certified Gases / Pressures - Check rating plate to ensure that it corresponds with following list.

Gas Category	¹ 3B/P(30)	¹ 3+(28-30/37)	¹ 3B/P(50)	¹ 2H	¹ 2E	¹ 2E+
Orifice Sizes(see above)	I	I	II	III	III	III
Gases / Pressures	Butane and Propane at 30mbar	Butane 28-30mbar Propane 37mbar	Butane and Propane at 50mbar	G20 at 20mbar	G20 at 20/25 mbar	G20/G25 at 20/25 mbar
Countries	BE, BG, CY, DK, EE, FI, FR, GB, HR, HU, IS, IT, LT, LU, MT, NL, NO, RO, SE, SI, SK, TR	BE, CH, CY, CZ, ES, FR, GB, GR, IE, IT, LT, LU, LV, PT, SK, SI	AT, CH, DE, SK	AT, BG, CH, CZ, DK, EE, ES, FI, GB, GR, HR, HU, IE, IS, IT, LV, LT, NO, PT, RO, SE, SI, SK, TR	DE, LU, PL	BE,FR

Do not tamper with or modify regulator. Use only regulators which supply the pressure listed in the table above. For replacement, use only the regulator specified by the manufacturer.

Cylinder Connection

NOTE! Some regulator hoses contain a nut and a left hand thread, and others must press ON to connect and OFF to detach. Follow the instructions provided below for the appropriate regulator hose.

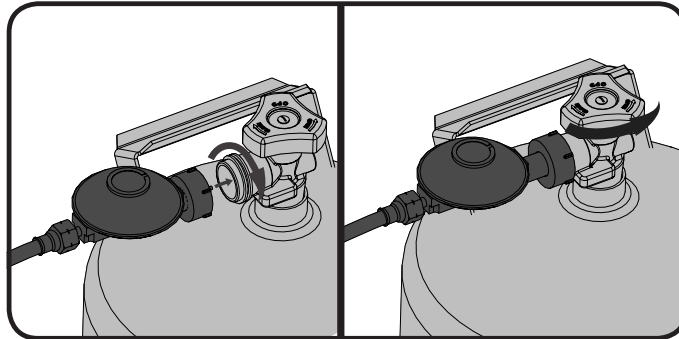


FIG. 1

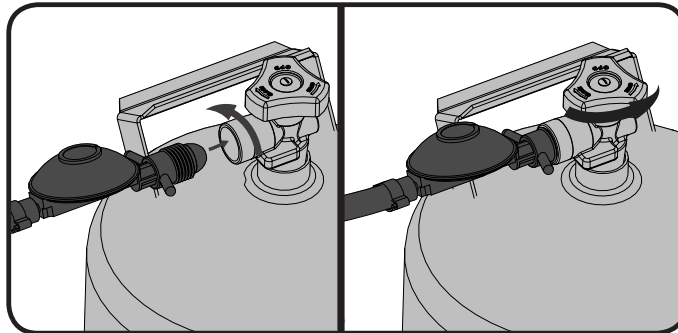


FIG. 2

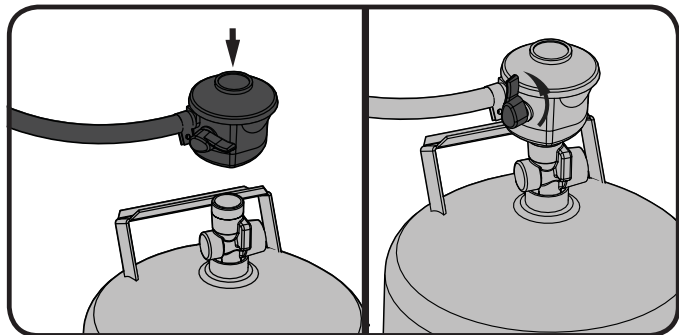


FIG. 3

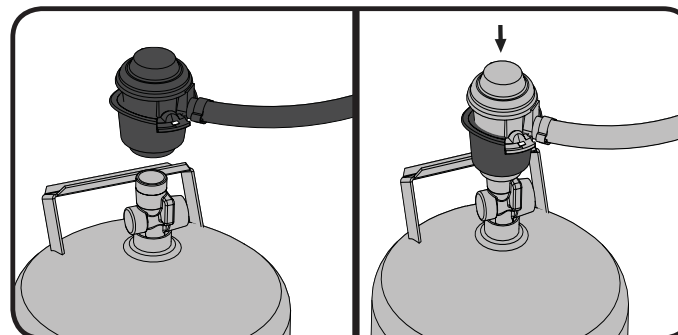
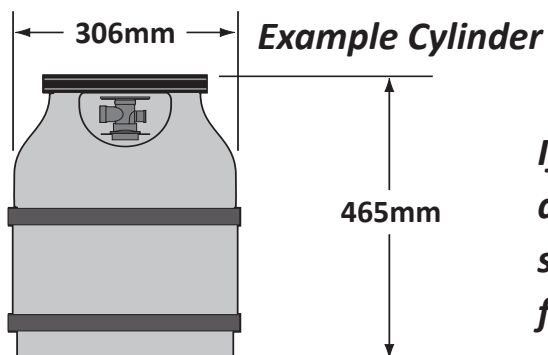


FIG. 4



If this appliance is to be connected directly to a house propane gas supply line, follow the instructions for the natural gas hook-up.

Natural Gas Hook-Up

The piping up to the appliance is the responsibility of the installer. Connect the inlet valve to rigid pipe, copper tube or an approved flexible metal connector which complies with national and regional codes. If using a gas hose (not supplied) connect the flared end of the hose to the connector on the end of the inlet valve. Tighten using two wrenches. (Do not use thread sealer/pipe dope.) Leak test all joints prior to using the appliance. Piping and valves upstream of the quick disconnect are not supplied. The installation must comply with national and regional codes. The gas supply pipe must be sufficiently sized to supply the kW specified on the rating plate, based on the length of the piping run. The quick disconnect must not be installed in an upward direction and a readily accessible manual shut-off valve must be installed upstream of, and as close to, the quick disconnect as is feasible.

Purge the gas supply line of any trapped air prior to the first firing of the unit.



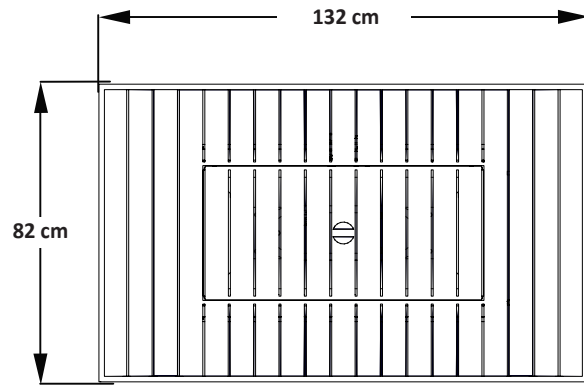
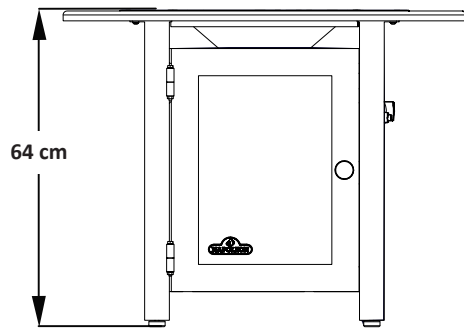
WARNING!

- The installation must be performed by a licensed gas fitter, and all connections must be leak tested before operating the appliance.
- Ensure all hose connections are tightened using two wrenches. Do not use Teflon tape or pipe dope on any hose connection.
- Ensure the hose does not contact any high temperature surfaces or it may melt and leak causing a fire.
- Locate the hose out of pathways where people may trip over it or in areas where the hose may be subject to accidental damage.
- Leak test all the connections using a soap and water solution as per the leak testing instructions found in the manual.

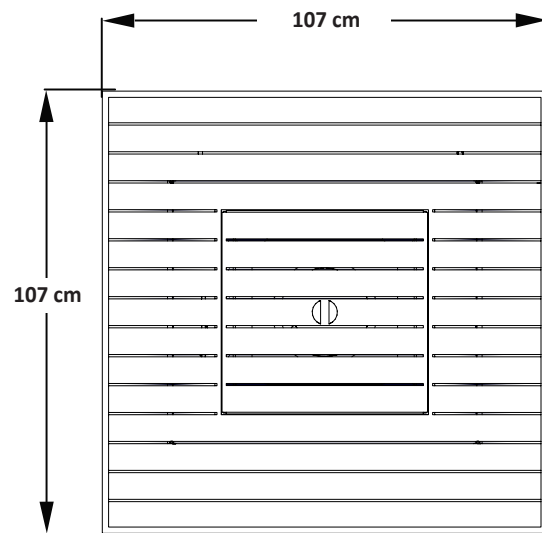
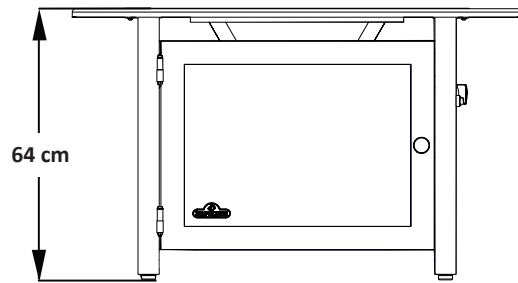
Specifications

DIMENSIONS

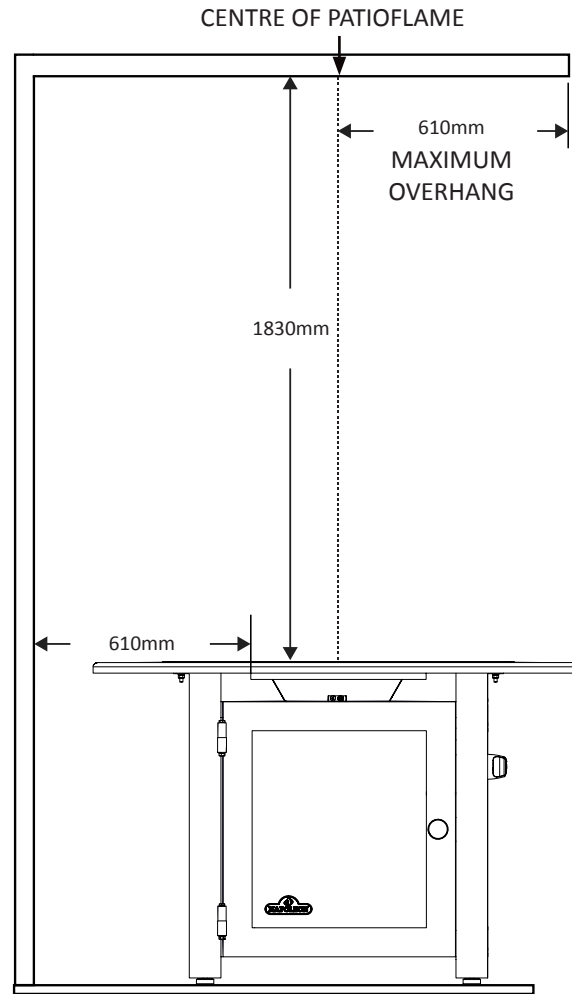
HAMP1



HAMP2



MINIMUM CLEARANCE TO COMBUSTIBLES		
	INCHES	MM
Side Walls	24	610
Top of unit to ceiling	72	1830



THE TABLE IS APPROVED FOR USE ON COMBUSTIBLE FLOORS.

Leak Testing Instructions



WARNING! A leak test must be performed annually, or if a part of the gas system is replaced.



WARNING! Never use an open flame to check for gas leaks. Be certain no sparks or open flames are in the area while you check for leaks. Sparks or open flames will result in a fire or explosion, damage to property, serious bodily injury, or death.

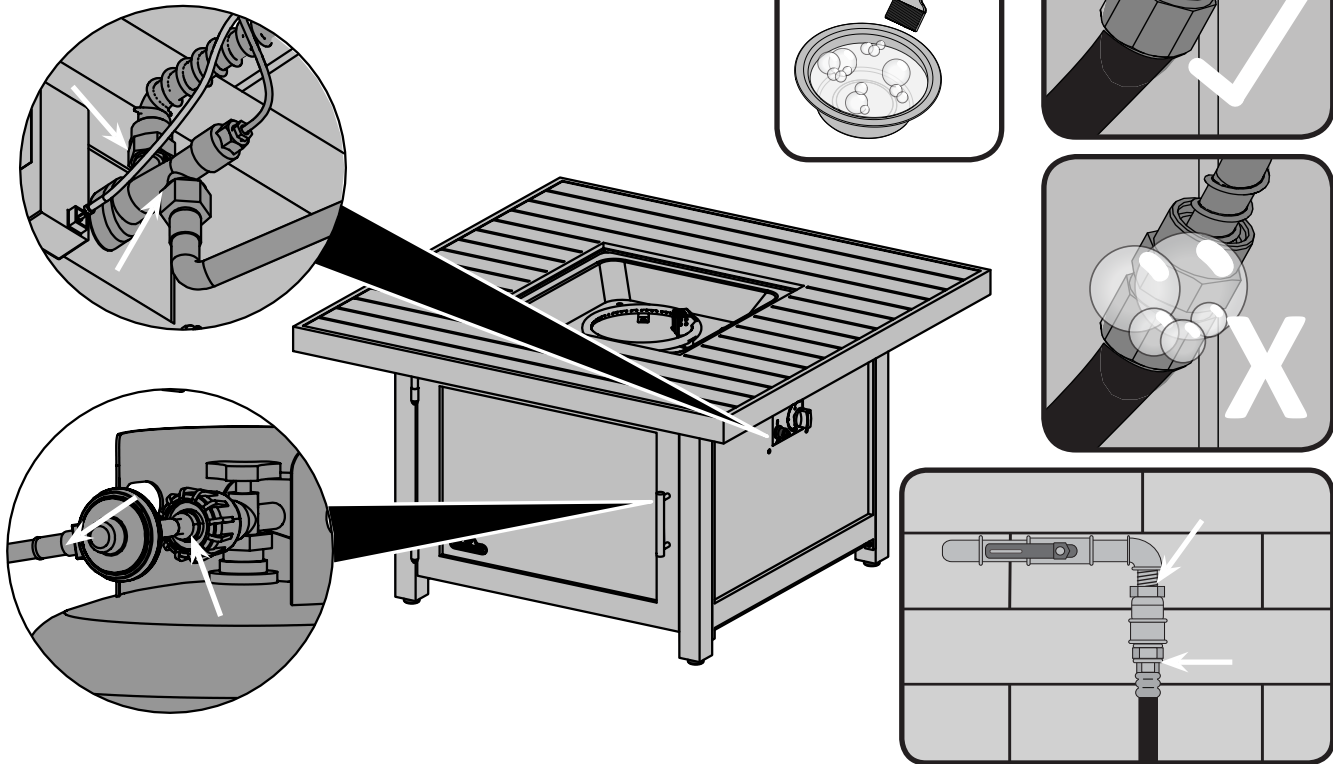


Leak testing: This must be done before initial use, annually, and whenever any gas components are replaced or serviced. Do not smoke while performing this test, and remove all sources of ignition. See Leak Testing Diagram for areas to check. Turn all burner controls to the off position. Turn gas supply valve on. Brush a half-and-half solution of liquid soap and water onto all joints and connections of the regulator, hose, manifolds and valves.

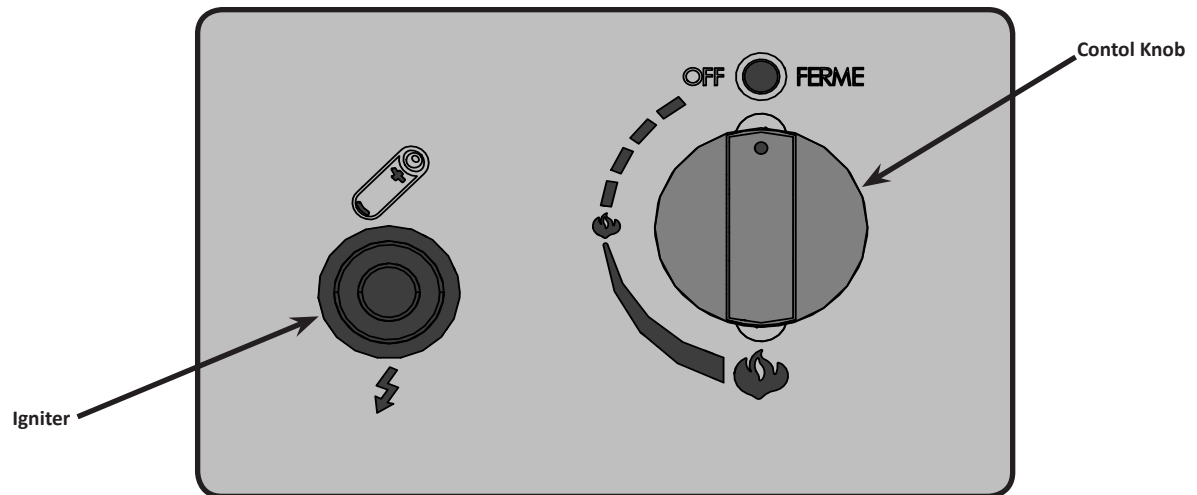
Bubbles will indicate a gas leak. Either tighten the loose joint or have the part replaced with one recommended by the Napoleon Customer Solutions department and have the appliance inspected by a certified gas installer.

If the leak cannot be stopped, **immediately shut off the gas supply**, disconnect it, and have the grill inspected by a certified gas installer or dealer. Do not use the appliance until the leak has been corrected.

DO NOT USE AN OPEN FLAME.



Lighting Instructions



WARNING! Keep face and body away from burner area when lighting.

WARNING! Ensure burner controls are in the off position. Slowly turn on the gas supply valve.

1. Press and hold electronic igniter button (⚡).

2. Turn the burner control to the low position, press and hold in. When the burner lights, release the electronic igniter button.

3. Continue to depress the burner control knob for 30 seconds and then release. If the flame goes out, repeat the procedure.

4. Adjust the flame to the desired height with the burner control knob.

5. If the burner will not light with the electronic igniter, hold a lit long match or lit long butane lighter to the ignition area of the burner and continue with step 2.

6. To shut down the burner turn the burner control knob clockwise to the off position. Then turn the gas off at the source (propane cylinder valve or natural gas supply valve).



WARNING! If the burner does not light within 10 seconds, turn the valve off and wait 5 minutes for any gas to dissipate before repeating the procedure.



WARNING! Never use this appliance for other than the intended use. Do not use this appliance to prepare food.



WARNING! You must have clear and easy access to the on/off valve AFTER the appliance is installed and connected to the gas supply in order to safely turn off the burner.

Initial Lighting: When lit for the first time, the appliance emits a slight odor. This is a normal temporary condition caused by the “burn-in” of internal paints and lubricants used in the manufacturing process and does not occur again. Simply run the main burner on high for approximately one-half hour.



WARNING!

- Children and adults should be alerted to the hazards of high surface temperatures and should stay away from the appliance to avoid burns or clothing ignition.
- Children should be carefully supervised when they are in the area of the appliance.
- Clothing or other flammable materials should not be hung from the appliance, or placed on or near the appliance. The area above the enclosure may be extremely hot. Direct contact with these surfaces should be avoided in order to prevent burns or clothing ignition.
- Any guard or protective device removed for servicing the appliance must be replaced prior to operating the appliance.
- Installation and repair should be done by a qualified service person.
- The appliance should be inspected before each use and at least annually by a qualified service person. More frequent cleaning may be required as necessary. It is imperative that the control compartment, burners and circulating air passageways of the appliance be kept clean.



WARNING!

- Never use the appliance while it is raining.
- Always turn the appliance off when raining.
- Never splash any liquid on the glass / glass embers when the appliance is operating.
- The glass / glass embers will be extremely hot while operating, never try to touch them.
- Always ensure the appliance stands firmly on level ground.
- Never use the appliance if the burner is damaged. Inspect the burner before each use. Ensure that no debris such as leaves; grass or other objects have entered or are on the appliance. If the burner is damaged it must be replaced prior to using the appliance with a replacement burner specified by your Napoleon dealer.
- Inspect the hose assembly before each use. If there is evidence of excessive abrasion or wear, or if the hose is damaged it must be replaced prior to using the appliance with a replacement hose assembly specified by your Napoleon dealer.

NOTE! The appliance has been designed with several safety features, which include a safety valve. If the burner flame is extinguished the appliance will automatically shut down.



WARNING! Any modification to the appliance may compromise the safety of this appliance. Special concern is as follows.

- Do not bypass thermocouple safety.
- Do not operate the appliance if any part has been under water. Immediately call a qualified service technician to inspect the appliance and replace any part of the control system and any gas control, which has been underwater.

Maintenance / Cleaning Instructions



WARNING! Glass embers may have sharp edges, wear safety glasses and gloves when handling. Do not change or substitute the glass ember material provided with this appliance. If replacing, use only replacement glass embers available from your local authorized dealer / distributor.



WARNING! To avoid the possibility of burns, maintenance should be done only when the appliance is . Avoid unprotected contact with hot surfaces. Ensure burner is turned off. Turn gas off at source and disconnect the appliance before servicing. Clean the appliance in an area where cleaning solutions will not harm decks, lawns, or patios. Do not use flammable, corrosive or abrasive cleaners.



Note: Stainless steel tends to oxidize or stain in the presence of chlorides and sulfides, particularly in coastal areas and other harsh environments, such as the warm, highly humid atmosphere around pools and hot tubs. These stains could be perceived as rust, but can be easily removed or prevented. To provide stain prevention and removal, wash all stainless steel and chrome surfaces every 3-4 weeks or as often as required with fresh water and/or stainless steel cleaner.

Control Panel: The control panel text is printed directly on the stainless steel and with proper maintenance will remain dark and legible. To clean the panel, use only warm soapy water or stainless steel cleaner available from your Napoleon dealer. Never apply abrasive cleaners on any stainless surfaces, especially the printed portion of the control panel or the printing will gradually rub off.



WARNING! Hose: Check for abrasions, melting, cuts, and cracks in the hose. If any of these conditions exist, do not use the appliance. Have the part replaced by your Napoleon dealer or qualified gas installer.

Cleaning Inside The Appliance: While washing your appliance, be sure to keep the area around the burner and pilot assembly dry at all times.



WARNING! If the gas control is exposed to water in any way, DO NOT try to use the appliance. The gas control must be replaced.

Burner: The burner is made from stainless steel, but extreme heat and a corrosive environment can cause surface corrosion to occur. This can be removed with a brass wire brush. Inspect the burner at least annually for cracks, insect nests, excessive corrosion or any other damage. If the burner is damaged, it must be replaced with a burner specified by the manufacturer before the appliance is put into operation.

CAUTION! Beware of Spiders.

Spiders and insects are attracted to the smell of propane and natural gas. The burner is equipped with an insect screen on the air shutter, which reduces the likelihood of insects building nests inside the burner but does not entirely eliminate the problem. A nest or web can cause the burner to burn with a soft yellow or orange flame or cause a fire (flashback) at the air shutter underneath the control panel. Other warning signs that may indicate a problem are:

- Strong or unusual odor coming from the appliance.
- Continued difficulty or delayed ignition.
- Flame appears either very short or very long.
- Flame only burns part way across the burner.
- Excessive soot building up on the glass embers.

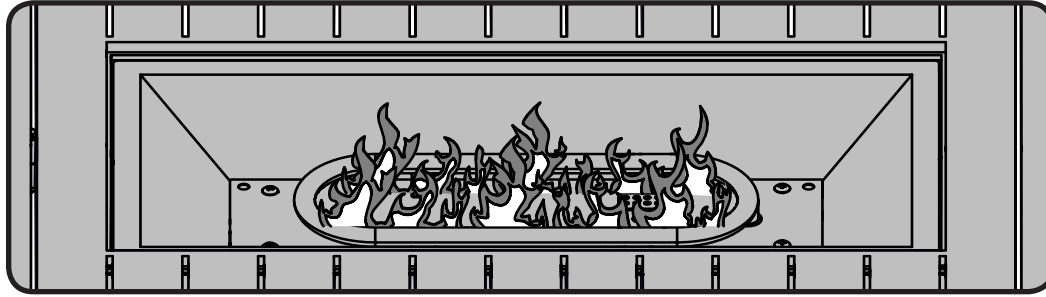
To clean the inside of the burner, it must be removed from the appliance: Remove the glass embers and examine the burner. If dirty, clean with a wire brush.

Cleaning: Use a flexible venturi tube brush to clean the inside of the burner. Shake any loose debris from the burner through the gas inlet. Check the burner ports and valve orifices for blockages. Burner ports can close over time due to debris and corrosion; use an opened paperclip or a drill bit to clean them. The ports are easier to clean if the burner is removed from the appliance, but it can also be done with the burner installed.

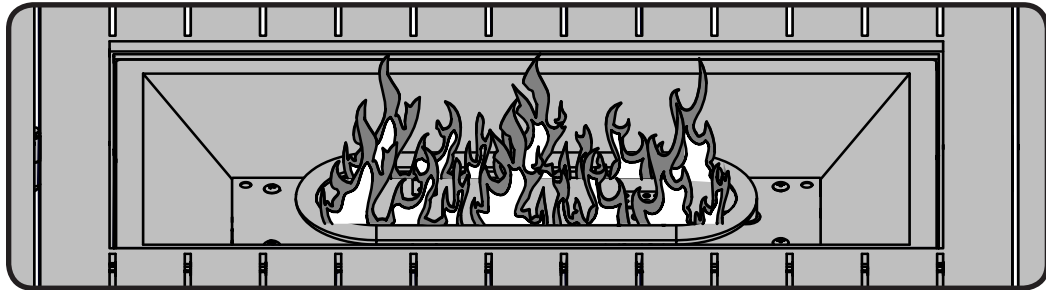


Reinstallation: Reverse the procedure to reinstall the burner. Check that the valve enters the burner when installing. Replace the glass embers. When the appliance is put back in service, check the burner flame pattern with the image below.

NORMAL



ABNORMAL



Cleaning The Outer Appliance Surface: Do not use abrasive cleaners or steel wool on any painted, or stainless steel parts of your Napoleon Appliance. Doing so will scratch the finish. Exterior surfaces should be cleaned with warm soapy water. To clean stainless surfaces, use a stainless steel or a non-abrasive cleaner. Always wipe in the direction of the grain. Over time, stainless steel parts discolor when heated, usually to a golden or brown hue. This discoloration is normal and does not affect the performance of the appliance



WARNING! The appliance area must be clear and free from combustible materials, gasoline and other flammable vapors and liquids. Do not obstruct the flow of combustion and ventilation air. Keep the ventilation opening of the cylinder enclosure free and clear of debris.

Finishing

Glass Ember Installation



WARNING! Do not use the patio flame without the glass embers in place.

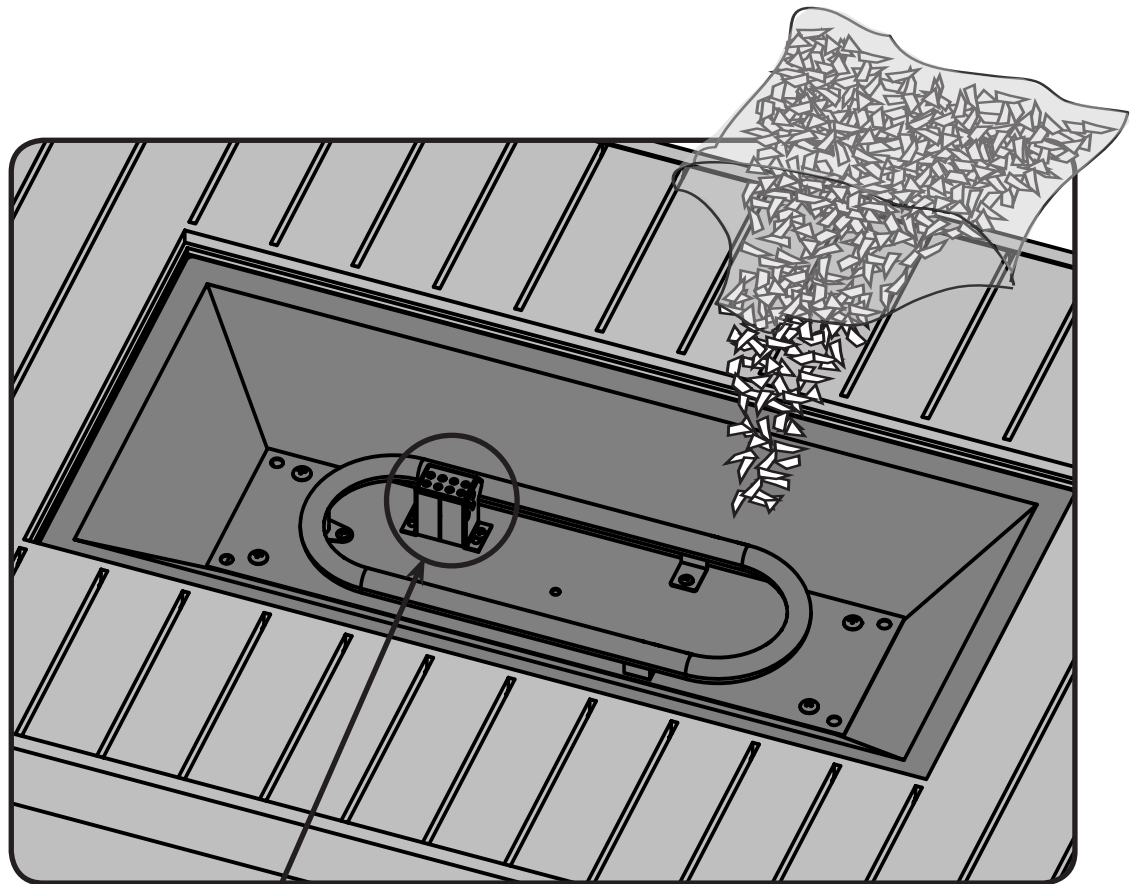


WARNING! Glass embers may have sharp edges, wear safety glasses and gloves when handling. Do not change or substitute the glass ember material provided with this appliance. If replacing, use only replacement glass embers available from your local authorized dealer / distributor.



WARNING! Glass embers may have a fine oil residue that needs to be cleaned prior to installation. Clean the glass with mild dish soap, drain, rinse thoroughly and dry before installing.

1. Carefully pour the glass embers onto the appliance ember tray as shown.
2. Spread the glass embers over the tray and burner. The distribution of clear glass over the burner will influence flame height.
3. The glass embers must cover the entire burner tray while ensuring no glass is placed on the ignition portion of the burner as illustrated below.



ENSURE NO GLASS IS BLOCKING ANY OF THE OPEN PORTS ON THE IGNITION PORTION OF THE BURNER, DIFFICULTIES IN LIGHTING MAY RESULT.

Troubleshooting

Problem	Possible Causes	Solution
Low heat / Low flame when valve turned to high.	For propane - improper lighting procedure. For natural gas - undersized supply line.	Ensure lighting procedure is followed carefully. The valve must be in the off position when the tank valve is turned on. Turn tank on slowly to allow pressure to equalize. See lighting instructions. Pipe must be sized according to installation code.
Burners burn with yellow flame, accompanied by the smell of gas.	Possible spider web or other debris.	Thoroughly clean burner venturi. See general maintenance instructions.
Burner will not light with the igniter, but will light with a match.	Dead battery / or installed incorrectly. Loose electrode wire or switch terminal wires. Improper gap at electrode tip.	Replace with heavy duty battery. Check that electrode wire is firmly pushed onto the terminal on the back of the igniter. Check that the lead wires from the module to the ignition switch (if equipped) are firmly pushed onto their respective terminals. The gap can be adjusted by bending the tip in or out. Until a spark is achieved.
Burner will not stay lit when control knob is released.	Knob not being held in long enough. Too windy. Glass or debris in ignition area of the burner preventing thermocouple from being fully engulfed in flame. Dirty thermocouple or thermocouple connection. Faulty thermocouple or valve.	Thermocouple must have time to heat up – hold the knob in for 30 seconds after the burner lights, then release Unit will shut down if winds are greater than 10mph (16km/h). Either locate to different area or use when it is less windy. Ensure there is no glass or other debris in ignition area, and that the small hole below the thermocouple is unobstructed. Clean the thermocouple and clean the connection between the valve and thermocouple. Ensure the connection is properly tightened. Replace thermocouple and / or valve.
Humming regulator.	Normal occurrence on hot days.	This is not a defect. It is caused by internal vibrations in the regulator and does not affect the performance or safety of the gas heater. Humming regulators will not be replaced.
Burner output on “high” setting is too low. (Rumbling noise and fluttering blue flame at burner surface.)	Lack of gas. Supply hose is pinched. Dirty or clogged orifice. Spider webs or other matter in venturi tube. Propane regulator in “low flow” state.	Check gas level in propane cylinder. Reposition supply hose as necessary. Clean burner orifice. Clean out venturi tube. Ensure lighting procedure is followed carefully. All valves must be in the off position when the tank valve is turned on. Turn tank on slowly to allow pressure to equalize. See lighting instructions.

KEEP YOUR RECEIPT AS PROOF OF PURCHASE TO VALIDATE YOUR WARRANTY.

Ordering Replacement Parts

EN

Warranty Information

MODEL: _____

DATE OF PURCHASE: _____

SERIAL NUMBER: _____

(Record information here for easy reference)

Contact the Napoleon dealer where the product was purchased for replacement parts and warranty claims.

Before contacting the Napoleon dealer, check the Napoleon Website for more extensive cleaning, maintenance, troubleshooting and parts replacement instructions at www.napoleongrills.com.

To process a claim, the following information is required:

1. Model and serial number of the unit.
2. Part number and description.
3. A concise description of the problem ('broken' is not sufficient).
4. Proof of purchase (photocopy of the invoice).

In some cases Napoleon could request to have the parts returned to the factory for inspection before providing replacement parts.

Before contacting the Napoleon dealer, please note that the following items are not covered by the warranty:

- Costs for transportation, brokerage or export duties.
- Labour costs for removal and reinstallation.
- Costs for service calls to diagnose problems.
- Discoloration of stainless steel parts.
- Part failure due to lack of cleaning and maintenance, or use of improper cleaners (oven cleaner).

Getting Started

1. Remove all of the parts from the carton. Use the parts list to ensure all necessary parts are included.
2. Do not destroy packaging until the appliance has been installed and operates to your satisfaction.
3. Choose a location that meets the clearance to combustibles as outlined in this manual. Take into consideration the need for clear and easy access to the on/off valve AFTER the appliance is installed and connected to the gas supply in order to safely turn off the burner.
4. **Most stainless steel parts are supplied with a protective plastic coating that must be removed prior to using the appliance. The protective coating has been removed from some of the parts during the manufacturing process and may have left behind a residue that can be perceived as scratches or blemishes. To remove the residue, vigorously wipe the stainless steel in the same direction as the grain.**
5. Read and follow all instructions in this manual before installing or servicing this gas appliance.



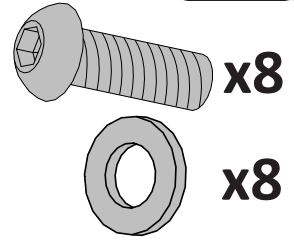
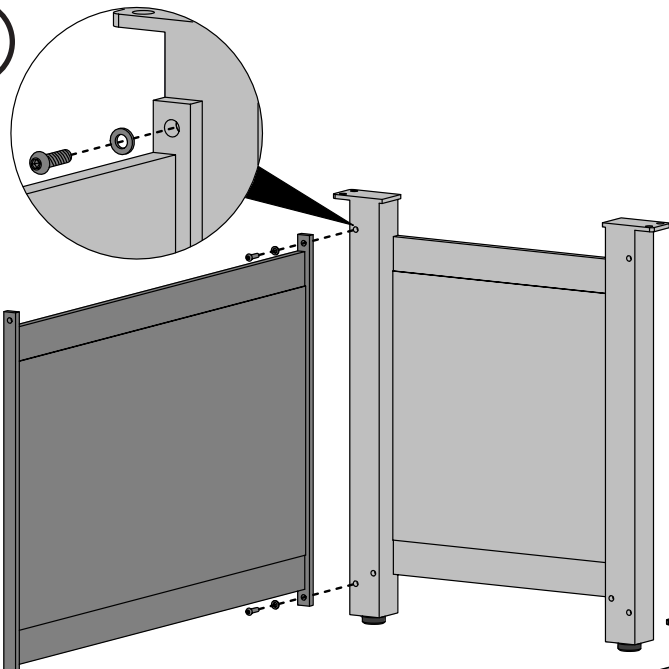
If you have any questions about assembly or appliance operation, or if there are damaged or missing parts please call our Customer Solutions Department at 1-866-820-8686 between 9 AM and 5 PM (Eastern Standard Time).

HAMP1

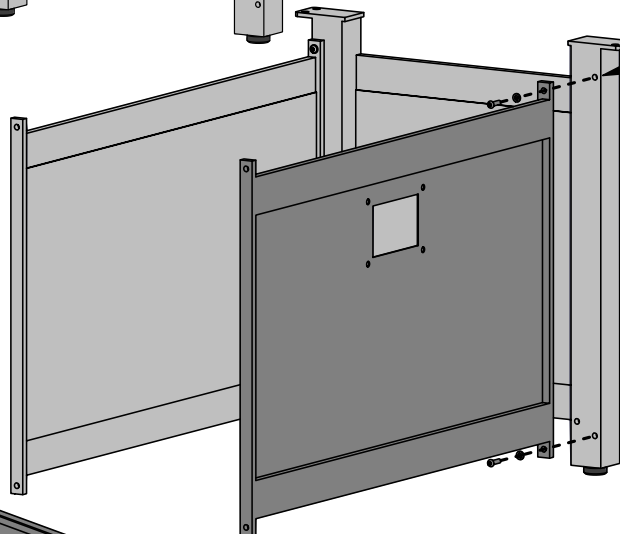
EN



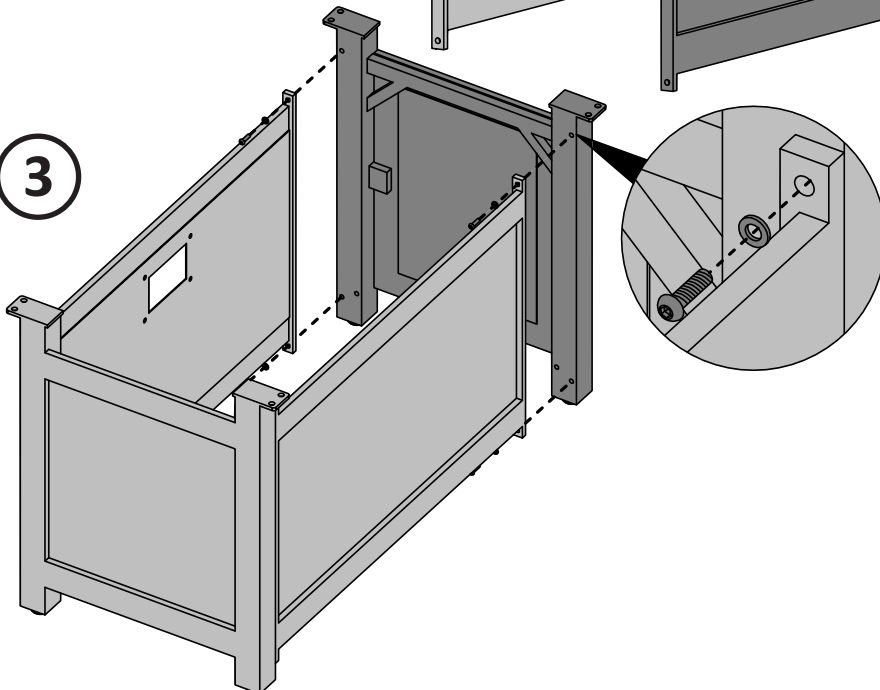
1

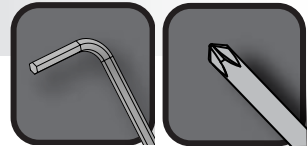


2

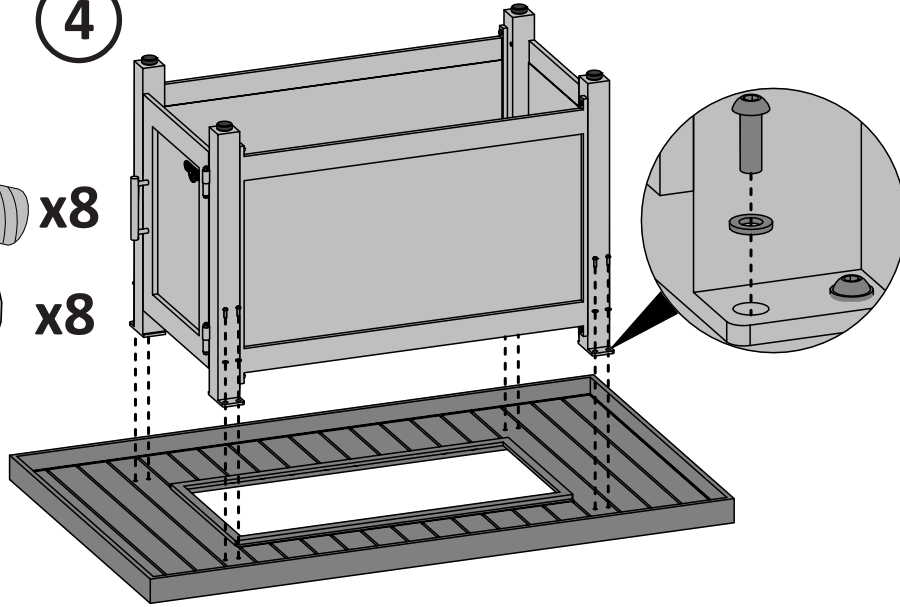
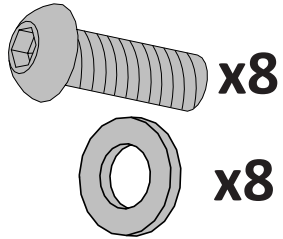


3

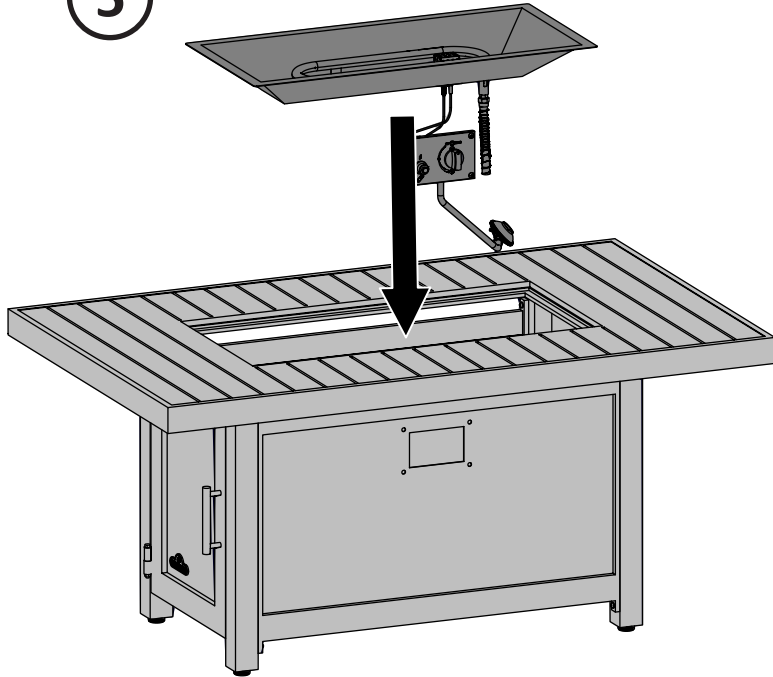




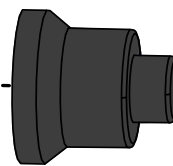
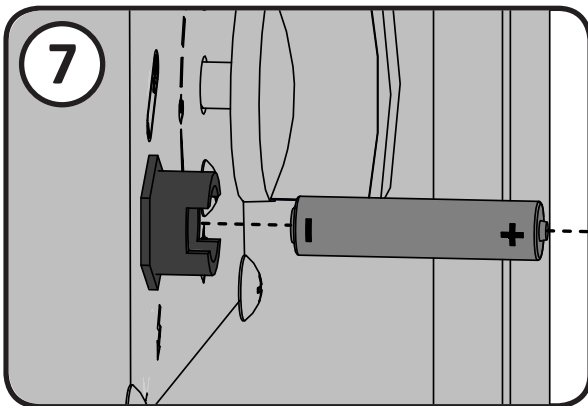
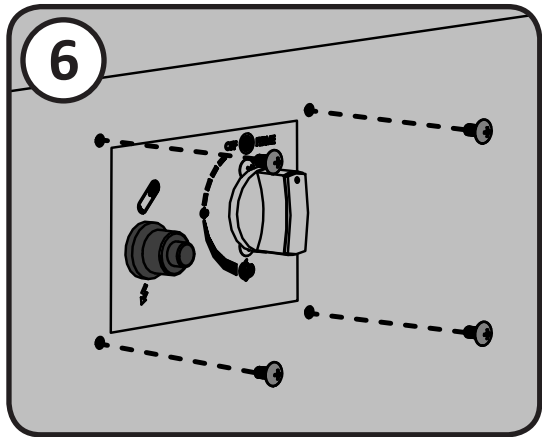
4

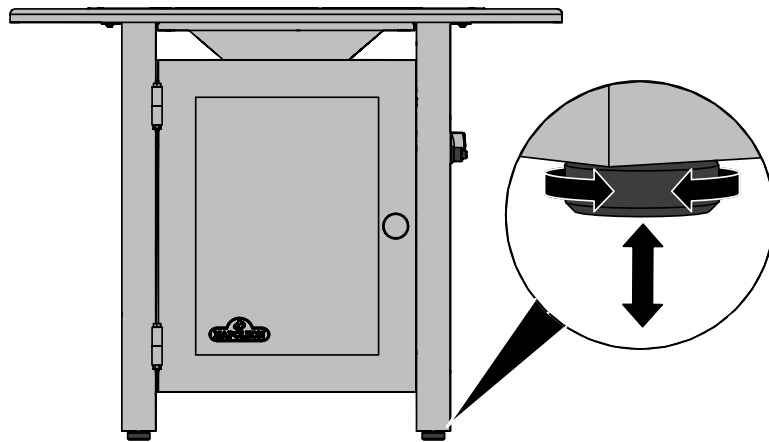


5

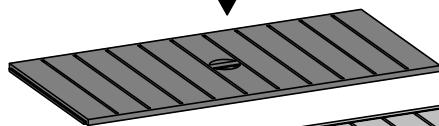
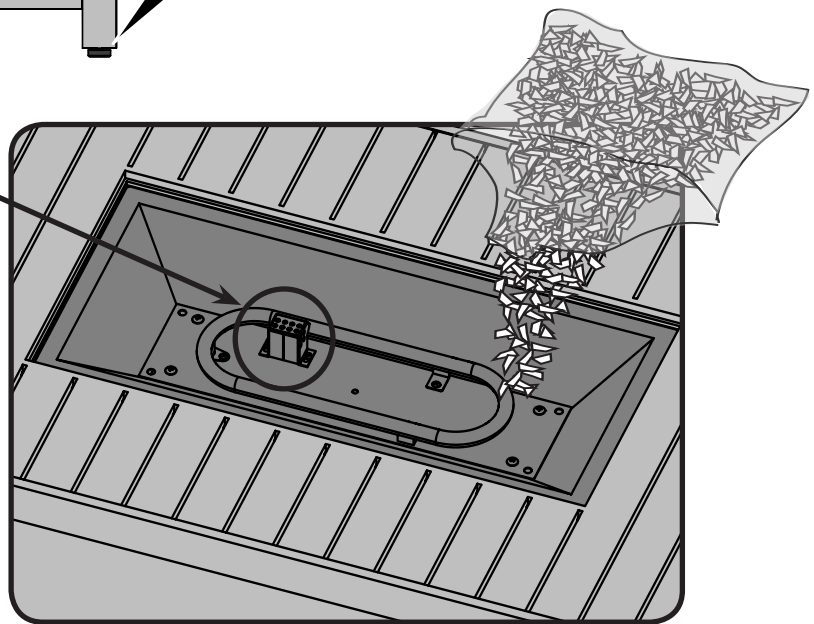


N570-0094 (M5 x 10mm)

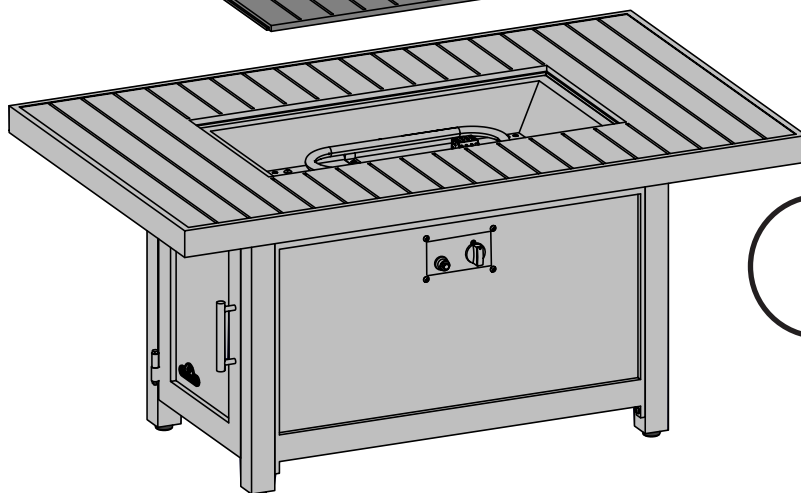




ENSURE NO GLASS IS
BLOCKING ANY OF THE OPEN
PORTS ON THE IGNITION
PORTION OF THE BURNER,
DIFFICULTIES IN LIGHTING
MAY RESULT.



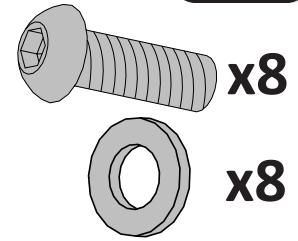
WARNING! The cover must be removed when the burner is in operation. After use, wait until the unit cools before installing the cover.



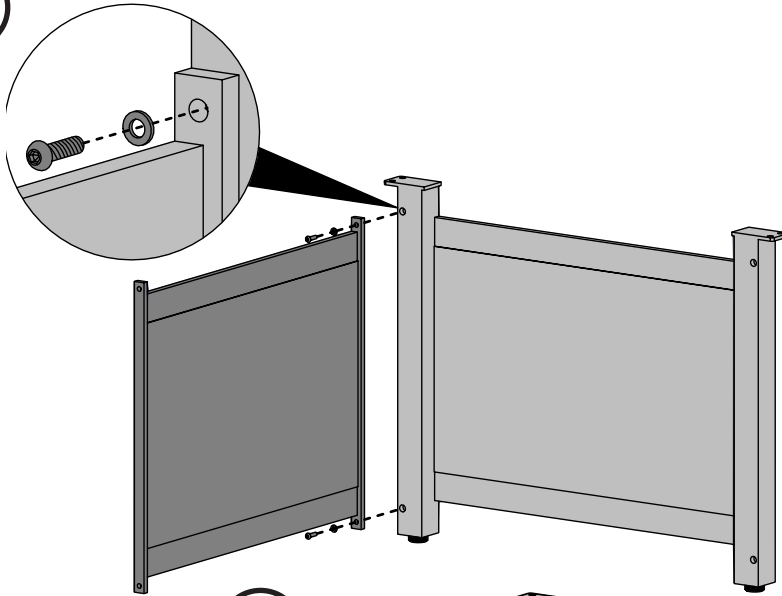
The table surfaces are hand painted. The variation in brush strokes enhances the natural beauty of the product.

HAMP2

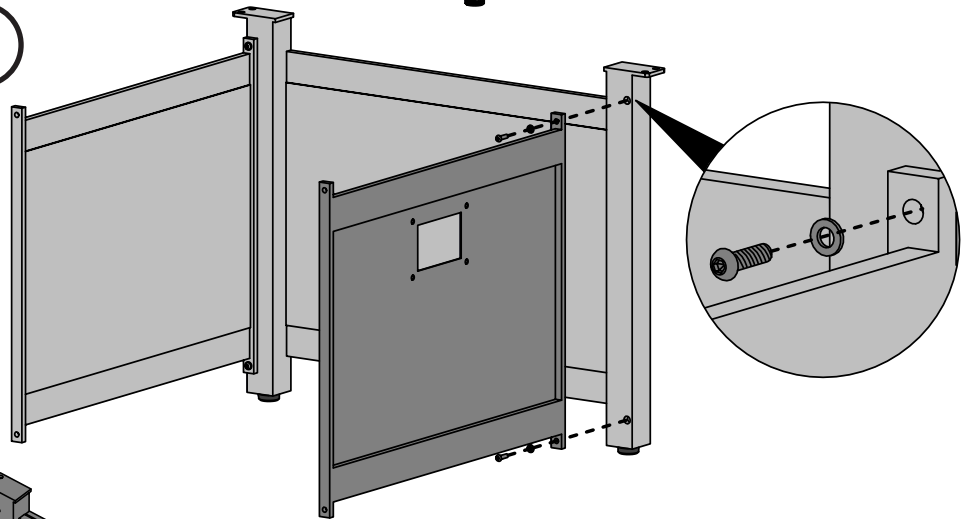
EN



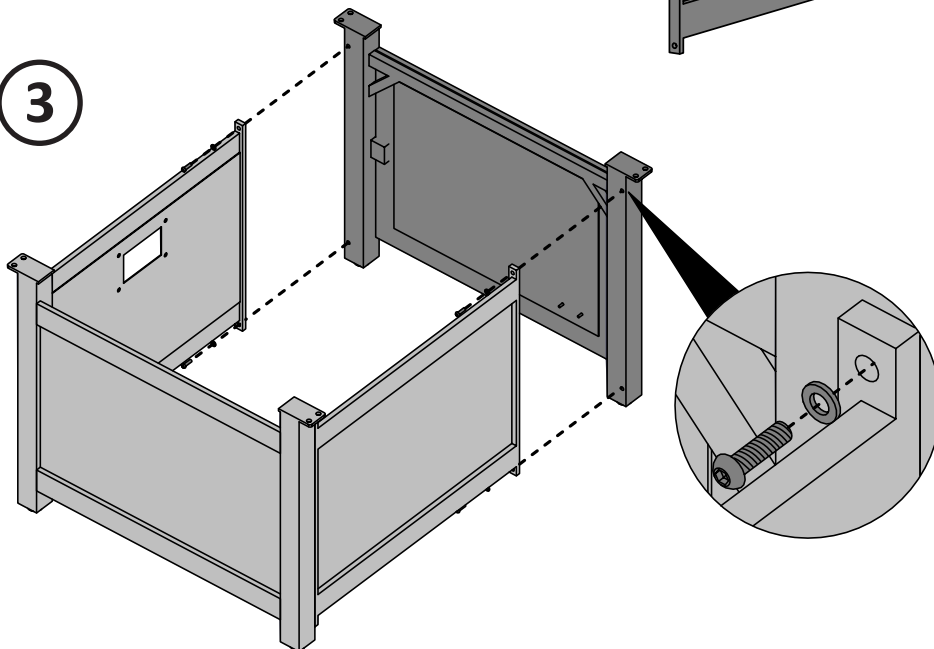
1

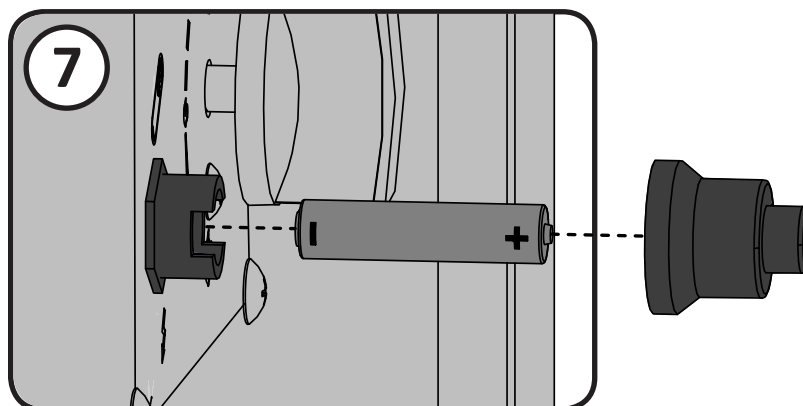
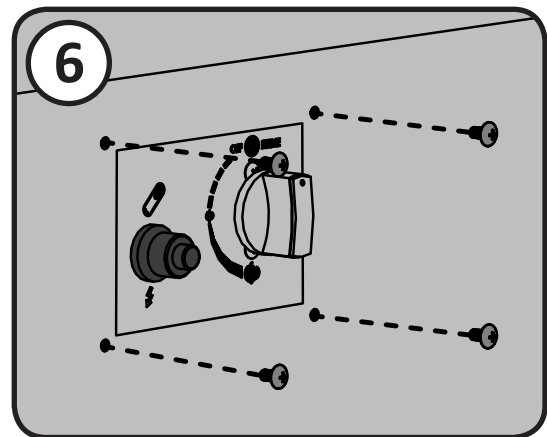
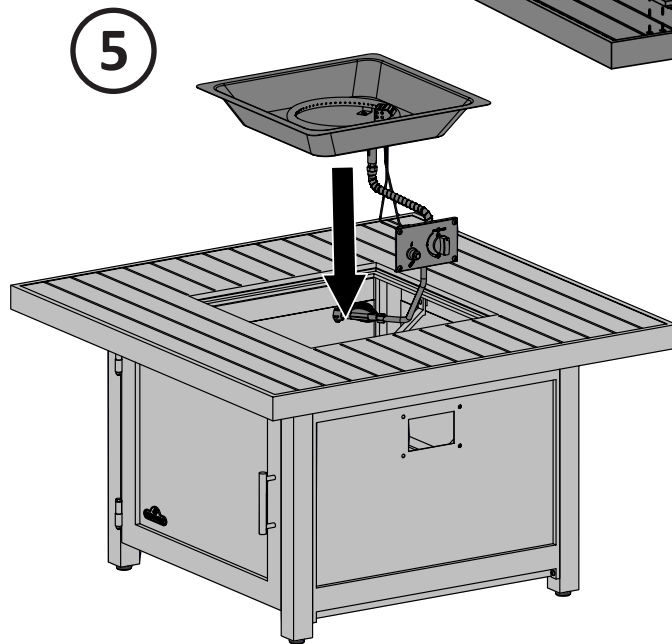
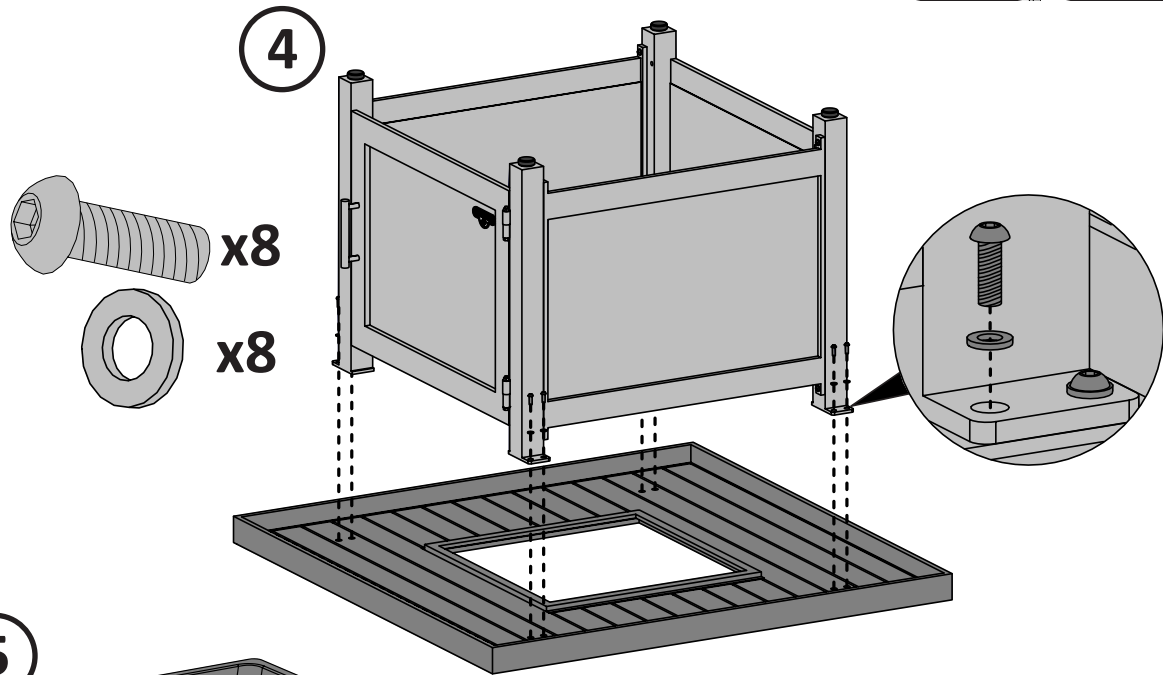
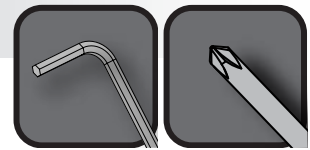


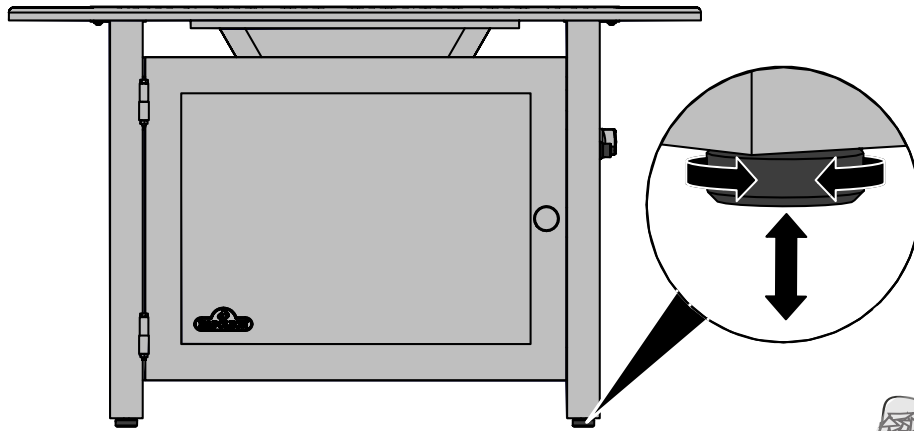
2



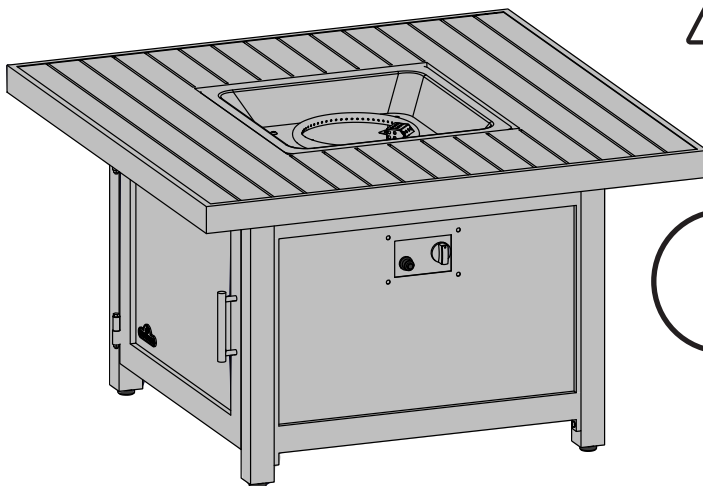
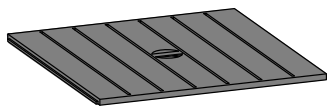
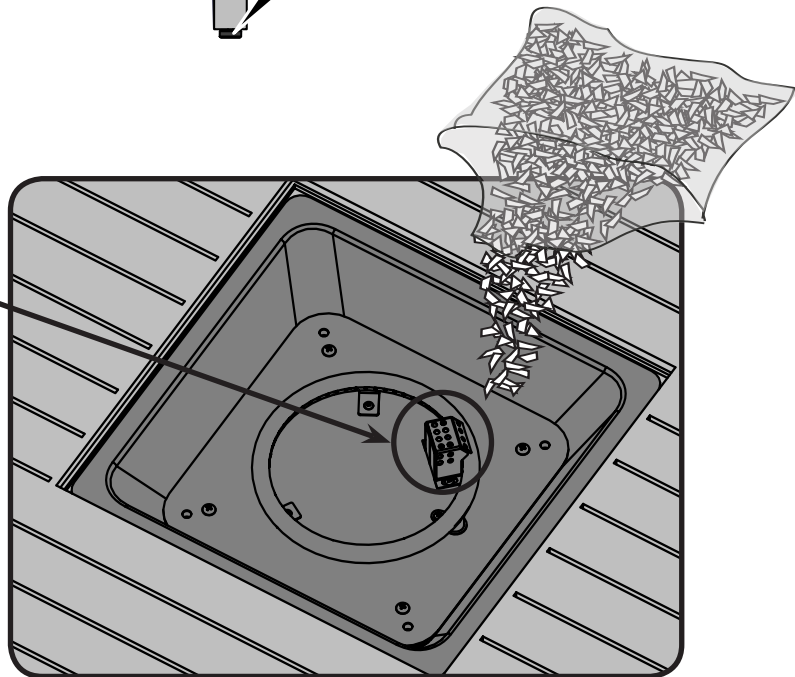
3







ENSURE NO GLASS IS
BLOCKING ANY OF THE OPEN
PORTS ON THE IGNITION
PORTION OF THE BURNER,
DIFFICULTIES IN LIGHTING
MAY RESULT.



WARNING! The cover must be removed
when the burner is in operation. After use,
wait until the unit cools before installing the
cover.



*The table surfaces are hand
painted. The variation in
brush strokes enhances the
natural beauty of the product.*

PARTS LIST HAMP1

Item	Part #	Description	x
1	N100-0055	burner	x
2	N500-0064	burner plate	x
3	N710-0099	burner pan	x
4	N585-0109	burner shield	x
5	N570-0094	screw M5 x 10mm	x
6	Z570-0032	screw M4 x 10mm	x
7	Z570-0024	screw M6 x 12mm	x
8	N010-0899	valve assembly	p
9	N357-0013	igniter	x
10	N500-0061	control panel	x
11	N380-0033	control knob	x
12	N530-0032	regulator -Germany	p
	N530-0033	regulator -Holland	p
	N530-0034	regulator -Spain/Finland/Norway/Denmark	p
	N530-0035	regulator -Sweden	p
	N530-0036	regulator -Italy	p
	N530-0037	regulator -United Kingdom	p
	N530-0038	regulator -France	p
	N530-0039	regulator -Hungary	p
	N530-0042	regulator -Switzerland	p
	N530-0043	regulator -Russia	p
	N530-0044	regulator -Poland	p
	N530-0046	regulator -Czech Republic	p
13	N720-0076	flex connector	x
14	N500-0062	bracket electrode	x
15	N240-0039	electrode	x
16	N680-0001-SER	thermocouple	x
17	N735-0024	washer M8	x
18	N010-0910	electrode assembly	x
19	N455-0088	orifice #53 (50 mbar)	p
	N455-0089	orifice #51 (30 mbar)	p
20	N255-0065	fitting	x
21	N335-0094-GY1TX	lid	x
22	N705-0043-GY1TX	table top	x
23	N475-0409-GY1TX	rear panel	x
24	N010-0900-GY1TX	frame assembly	x
25	N475-0408-GY1TX	right panel	x
26	N475-0407-GY1TX	left panel	x
27	N225-0063-GY1TX	door	x
28	N385-0307-SER	napoleon logo	x
29	N325-0097	handle door	x
30	N570-0119	leveling foot	x
	N020-0175	fastener kit	x

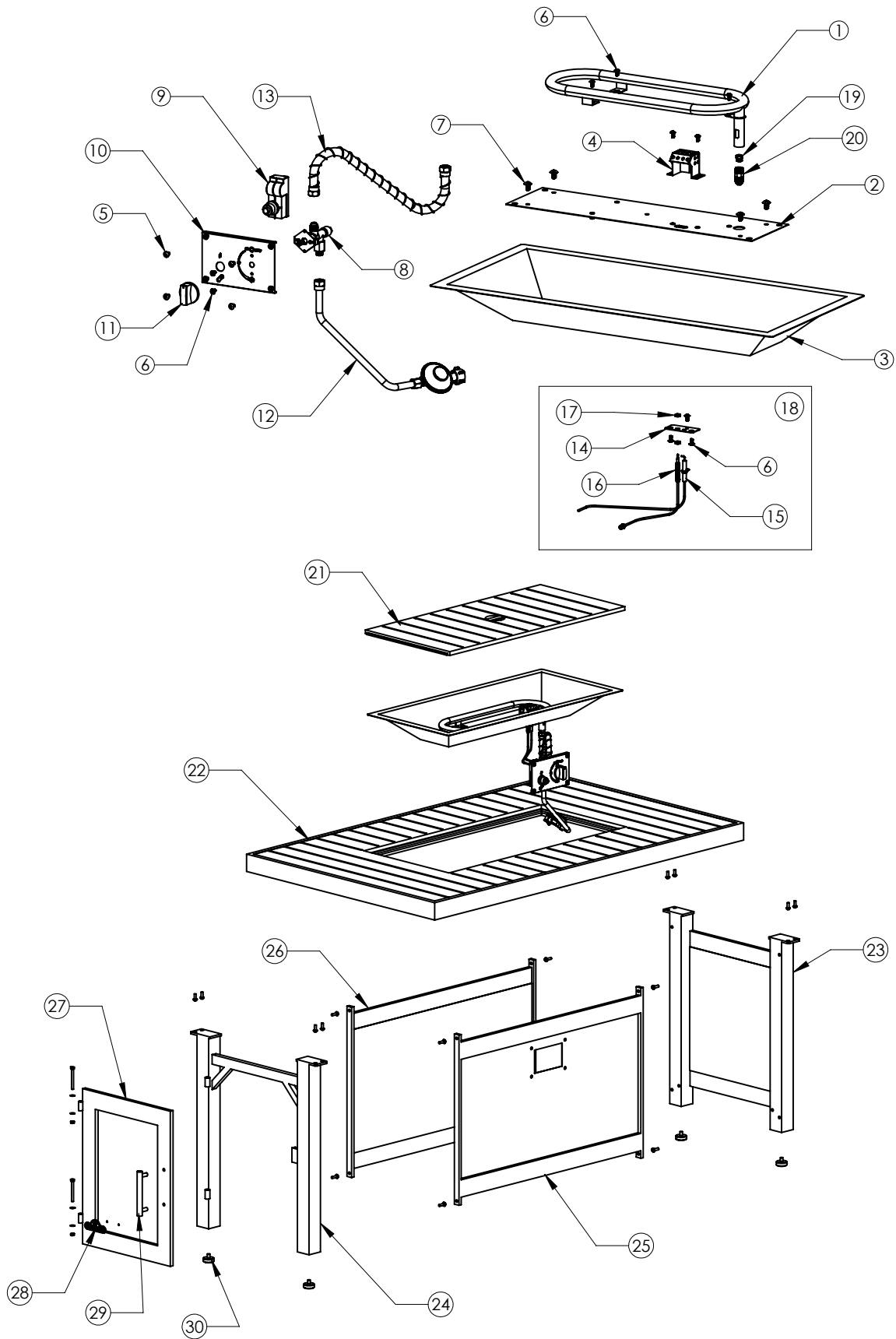
PARTS LIST HAMP1

Item	Part #	Description	x
	N300-0002	glass embers topaz (2per)	x
	N370-0778	NG conversion kit	ac
	mega	glass embers - amber 1lb	ac
	megb	glass embers - blue 1lb	ac
	megk	glass embers - black 1lb	ac
	megr	glass embers - red 1lb	ac
	mkga	glass embers - amber 5lb	ac
	mkgc	glass embers - clear 5lb	ac
	mkgk	glass embers - black 5lb	ac
	mkgb	glass embers - blue 5lb	ac
	mkgr	glass embers - red 5lb	ac
	68853	optional table cover	ac

x - standard
n - natural gas units only

p - propane units only
ac - accessory

PARTS DIAGRAM HAMP1



PARTS LIST HAMP2

Item	Part #	Description	x
1	N100-0054	burner	x
2	N500-0063	burner plate	x
3	N710-0098	burner pan	x
4	N585-0109	burner shield	x
5	N570-0094	screw M5 x 10mm	x
6	Z570-0032	screw M4 x 10mm	x
7	Z570-0024	screw M6 x 12mm	x
8	N010-0899	valve assembly	p
9	N357-0013	igniter	x
10	N500-0061	control panel	x
11	N380-0033	control knob	x
12	N530-0032	regulator -Germany	p
	N530-0033	regulator -Holland	p
	N530-0034	regulator -Spain/Finland/Norway/Denmark	p
	N530-0035	regulator -Sweden	p
	N530-0036	regulator -Italy	p
	N530-0037	regulator -United Kingdom	p
	N530-0038	regulator -France	p
	N530-0039	regulator -Hungary	p
	N530-0042	regulator -Switzerland	p
	N530-0043	regulator -Russia	p
	N530-0044	regulator -Poland	p
	N530-0046	regulator -Czech Republic	p
13	N720-0076	flex connector	x
14	N500-0062	bracket electrode	x
15	N240-0038	electrode	x
16	N680-0001-SER	thermocouple	x
17	N735-0024	washer M8	x
18	N010-0898	electrode assembly	x
19	N455-0088	orifice #53 (50 mbar)	p
	N455-0089	orifice #51 (30 mbar)	p
20	N255-0065	fitting	x
21	N335-0095-GY1TX	lid	x
22	N705-0044-GY1TX	table top	x
23	N475-0412-GY1TX	rear panel	x
24	N010-0901-GY1TX	frame assembly	x
25	N475-0411-GY1TX	right panel	x
26	N475-0410-GY1TX	left panel	x
27	N225-0064-GY1TX	door	x
28	N385-0307-SER	napoleon logo	x
29	N325-0097	handle door	x
30	N570-0119	leveling foot	x
	N020-0175	fastener kit	x

PARTS LIST HAMP2

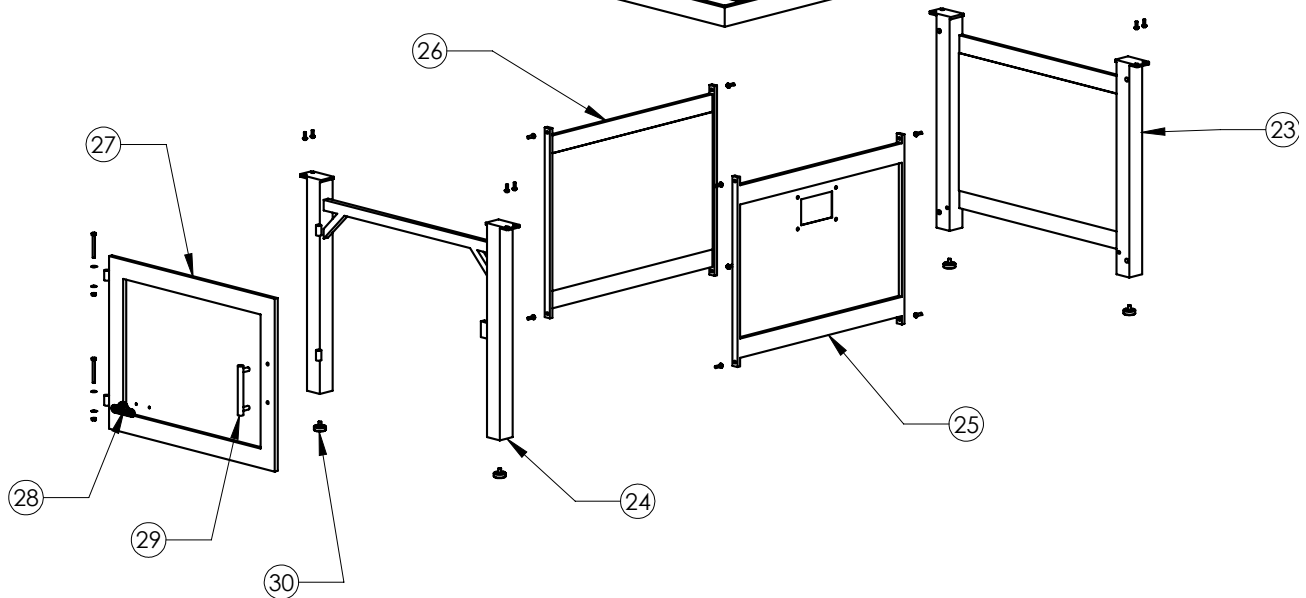
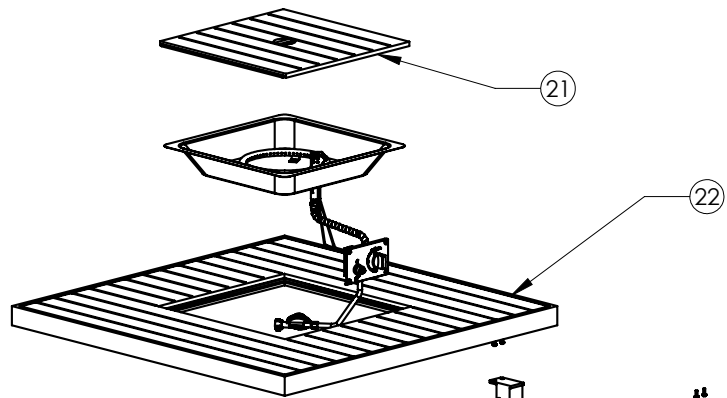
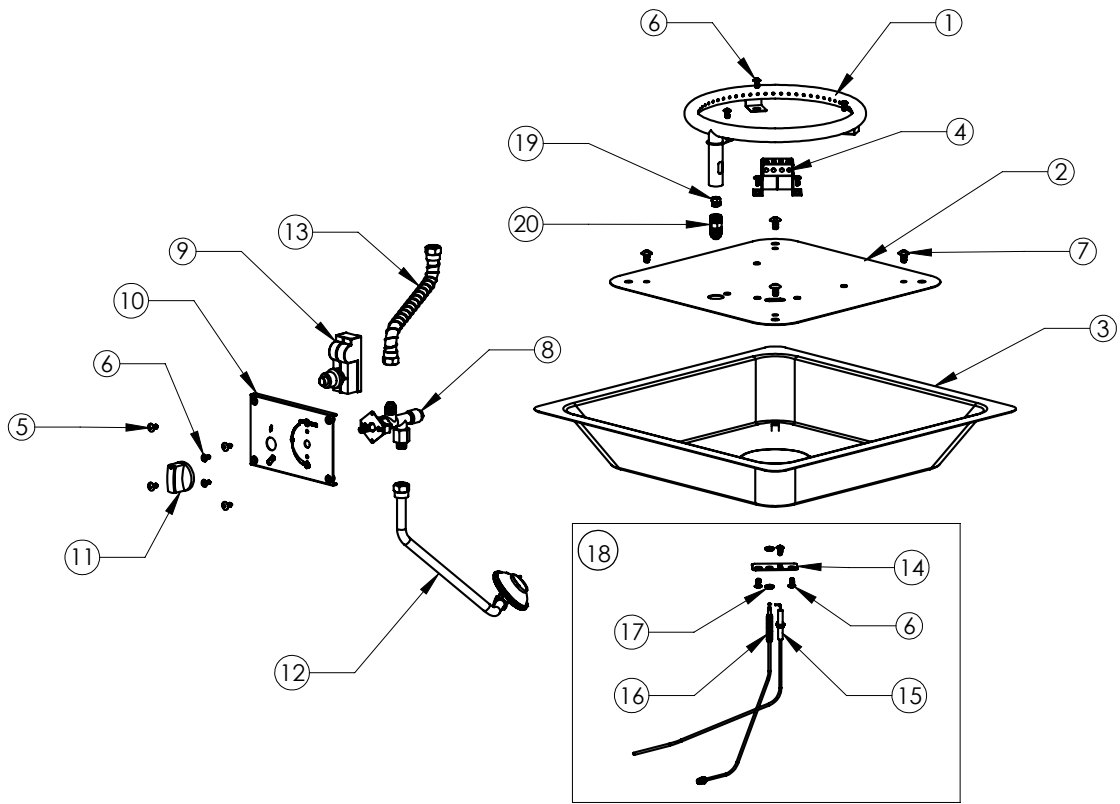
Item	Part #	Description	x
	N300-0002	glass embers topaz (2per)	x
	N370-0778	NG conversion kit	ac
	mega	glass embers - amber 1lb	ac
	megb	glass embers - blue 1lb	ac
	megk	glass embers - black 1lb	ac
	megr	glass embers - red 1lb	ac
	mkga	glass embers - amber 5lb	ac
	mkgc	glass embers - clear 5lb	ac
	mkgk	glass embers - black 5lb	ac
	mkgb	glass embers - blue 5lb	ac
	mkgr	glass embers - red 5lb	ac
	68854	optional table cover	ac

x - standard
n - natural gas units only

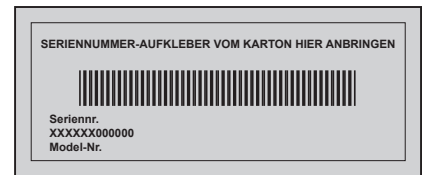
p - propane units only
ac - accessory

PARTS DIAGRAM HAMP2

EN



Dieses Gas-Gerät darf nur im Freien in gutbelüfteten Bereichen benutzt werden und darf nicht in Gebäuden, in Garagen, in einer verbauten Terrasse/ Veranda/ Vordach oder Pavillon/ Gartenlaube oder ähnlichen geschlossenen Bereichen verwendet werden.

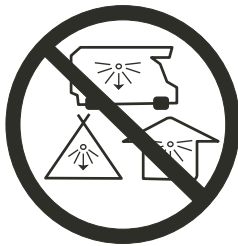


PATIOFLAME

Feuertisch- Gas Gerät für Außenbereich

HAMP1 (GPFR40)

HAMP2 (GPFS40)



ACHTUNG! KOHLENSTOFF-MONOXID GEFAHR

Dieses Gerät kann geruchloses Kohlenstoff-Monoxid erzeugen. Nutzung in geschlossenen Räumen kann tödlich sein. Benutzen Sie dieses Gerät niemals in geschlossenen Räumen, sowie Wohnwägen, Zelten, Automobilen oder in Häusern.



GEFAHR!

WENN ES NACH GAS RIECHT:

- Gaszufuhr zum Gerät absperrern.
- Flammen löschen.
- Wenn es weiterhin nach Gas riechen sollte, dem Gerät fernbleiben und unverzüglich den Gaslieferanten oder die Feuerwehr benachrichtigen.



ACHTUNG! Nur für die Nutzung im Freien.



ACHTUNG!

Vor dem Zünden dieses Geräts bitte unbedingt den Abschnitt „ZÜNDANLEITUNG“ lesen.

In der Nähe dieses oder anderer Geräte dürfen weder Benzin noch andere brennbaren Flüssigkeiten oder Gase gelagert werden. Dies gilt auch für nicht angeschlossene Gasflaschen. Ein Nichtbefolgen dieser Anleitung kann durch Brände oder Explosionen zu Sachschäden und Körperverletzungen, auch zu tödlichen, führen.

Bitte Bewahren Sie Diese Anleitung Auf



N415-0388CE-GB-DE OCT 23.17

Wolf Steel Europe BV
Poppenbouwing 29-31, 4191 NZ Geldermalsen,
CCI No. 51509970, THE NETHERLANDS
info@napoleongrills.nl

www.napoleongrills.com

DE

Napoleon President Beschränkte 3-Jahres-Garantie

Hochwertige Komponenten und Materialien bilden die Grundlage der NAPOLEON Produkte. Dieses Produkt wurde durch einen Fachmonteur gründlich geprüft, bevor es verpackt und ausgeliefert wurde, um zu garantieren, dass Sie, der Kunde, das erwartete Qualitätsprodukt von NAPOLEON erhalten.



DE

NAPOLEON garantiert, dass die Bestandteile Ihres neuen NAPOLEON Produkts ab dem Kaufdatum für den folgenden Zeitraum frei von Material- und Arbeitsfehlern sein werden:

Aluminium-Tischplatte und -Standfuß	3 Jahre
Edelstahl-Gehäuse	3 Jahre
Edelstahl-Brennersatz	3 Jahre
Alle anderen Teile	2 Jahre

*Bedingungen und Beschränkungen

Diese beschränkte Garantie bewirkt eine wie zuvor in der Aufstellung aufgeführte Garantiefrist für jedes bei einem autorisierten NAPOLEON Händler erworbene Produkt und berechtigt den ursprünglichen Käufer, entsprechend den geltenden Bestimmungen hinsichtlich des Komponentenaustauschs innerhalb der Garantiefrist, zu den entweder durch NAPOLEON oder einen autorisierten NAPOLEON Händler zu erbringenden Garantieleistungen. Diese beziehen sich auf den Austausch einer Komponente eines solchen Produkts, das im normalen Privatgebrauch infolge eines Herstellungsfehlers ausfiel. „Abzüglich 50 %“, wie in der Aufstellung genannt, bedeutet, dass die Komponente dem Käufer für den angegebenen Zeitraum mit 50 % Rabatt auf den regulären Verkaufspreis der Komponente angeboten wird. Diese beschränkte Garantie umfasst weder Zubehör noch Extrateile.

Um Missverständnissen vorzubeugen, „normaler Privatgebrauch“ eines Produkts bedeutet, dass das Produkt durch einen lizenzierten, autorisierten Servicetechniker oder Auftragnehmer in Übereinstimmung mit der dem Produkt beigefügten Installationsanleitung sowie allen lokalen und nationalen Bauverordnungen und Feuerschutzbestimmungen installiert wurde, dass es ordnungsgemäß gepflegt wurde und dass es nicht als Gemeinschaftsvorrichtung oder gewerblich genutzt wurde.

„Ausfallen“ beinhaltet nicht: übermäßige Hitzeerzeugung; Erlöschen der Flammen infolge von Umgebungsbedingungen wie starkem Wind oder unzureichender Luftzirkulation; Kratzer; Beulen; Rostbildung; Abnutzung von aufgetragenen Lackierungen und Plattierungen; durch Hitzeeinwirkung, scheuernde oder chemische Reinigungsmittel oder UV-Bestrahlung verursachte Verfärbung; Beschädigung porzellan-emailierter Teile oder Schäden, die verursacht wurden durch unsachgemäße Nutzung, Unfall, Hagel, Fettbrand, mangelnde Pflege, widrige Umgebungseinflüsse wie Salz oder Chlor, Umbau, Nachlässigkeit oder installierte

Teile von anderen Herstellern. Sollten sich während der gewährten Garantiefrist Teile so sehr abnutzen, dass die Nutzung nicht mehr möglich ist (durchgerostet oder -gebrannt), werden die entsprechenden Ersatzteile bereitgestellt.

NAPOLEON ist gemäß dieser beschränkten Garantie einzig für die Ersatzkomponente verantwortlich. Unter keinen Umständen wird NAPOLEON Verantwortung übernehmen für Installation, Arbeitskräfte oder jegliche andere Kosten im Zusammenhang mit der Installation eines im Garantiebereich enthaltenen neuen Teils; für Neben-, Folge- oder indirekte Schäden oder für Fracht, Arbeitskosten oder Ausfuhrzölle.

Diese beschränkte Garantie gilt in Ergänzung zu jeglichen Rechten, die Ihnen laut den örtlichen Gesetzen zustehen. Folglich erlegt diese beschränkte Garantie NAPOLEON keine Verpflichtung dahingehend auf, Einzelteile vorrätig zu halten. Auf der Grundlage der Einzelteilverfügbarkeit kann sich NAPOLEON nach eigenem Ermessen von allen Verpflichtungen entbinden, indem dem entsprechenden Kunden eine anteilige Gutschrift beim Kauf eines neuen Produkts gewährt wird. Nach dem ersten Jahr kann sich NAPOLEON in Bezug auf diese beschränkte Garantie nach eigenem Ermessen von allen Verpflichtungen hinsichtlich dieser Garantie vollständig entbinden, indem dem ursprünglichen und ein Garantieanspruch zustehenden Käufer der Großhandelspreis eines jeden im Garantiebereich enthaltenen aber defekten Einzelteils erstattet wird.

Für die Geltendmachung von Garantieansprüchen bei NAPOLEON sind der Kaufvertrag oder eine Kopie dessen sowie die Serien- und Modellnummer erforderlich.

NAPOLEON ist das Recht vorbehalten, durch einen damit beauftragten Vertreter jedes Produkt oder Teil prüfen zu lassen, bevor einem Garantieanspruch stattgegeben wird. Sie müssen sich an den NAPOLEON Kundendienst oder einen autorisierten NAPOLEON Händler wenden, um von der angebotenen Garantie profitieren zu können.



napoleongrills.com



ACHTUNG! Nur für den die Nutzung im Freien.



ACHTUNG! Unsachgemäße Installation, Montage, Veränderung, Handhabung oder Wartung des Geräts kann Verletzungen oder Sachschäden verursachen. Lesen Sie die Bedienungsanleitung, Aufbau-, Inbetriebnahme- und Wartungsanweisungen genau, bevor Montage oder Inbetriebnahme dieses Gasgeräts.

SICHERHEITSHINWEISE:

- **DIESES GERÄT IST BEI BENÜTZUNG HEISS UND KANN BEI BERÜHRUNG STARKE VERBRENNUNGEN VERURSACHEN.**
- Die Installation und Reparatur sollte von einem qualifizierten Servicetechniker durchgeführt werden. Das Gerät sollte vor Inbetriebnahme und mindestens jährlich von einem qualifizierten Servicetechniker überprüft werden. Es könnte auch eine häufigere Reinigung als notwendig erforderlich sein. Es ist zwingend notwendig, die Bedieneinheit, die Brenner und zirkulierende Luftkanäle des Geräts sauber zu halten.
- Nehmen Sie das Gerät nicht in Betrieb bevor Sie die Bedienungsanweisung gelesen und verstanden haben. Bedienungsfehler oder ein Missachten der Bedienungsanleitung können zu Feuerbildung/Explosionen oder Verletzungen führen.
- Verbrennungsgefahr. Sie sollten das Gerät ausschalten und abkühlen lassen bevor Sie es warten.
- Montieren Sie das Gerät nicht, wenn die Teile beschädigt, unvollständig oder ausgetauscht sind.
- Dieses Gerät hat offene Flammen und gibt keinen vollen Schutz für Kinder oder ältere Personen, zusätzliche Schutzmaßnahmen müssen für diese getroffen werden.
- **Kleinkinder sollten nicht ohne besondere Aufsicht in der Nähe des Gerätes aufhalten. Bei Kleinkindern, Kindern und anderen kann es leicht zu unbeabsichtigten Berührungen führen. Es ist zu empfehlen eine physische Barriere für gefährdete Personen (Kinder, etc.), wenn diese in der Nähe sind, zum Gerät herzustellen. Um den Zugriff zu heißen Oberflächen des Geräts oder Öfen durch Kleinkinder, Kinder oder risikobehaftete Personen zu verhindern, errichten Sie eine verstellbare Sicherheitsbarriere zum Gerät. Stellen Sie sicher, dass Sie adäquate Sicherheitsmaßnahmen für Säuglinge, Kleinkinder und Kinder treffen.**
- Dieses Gerät darf keinesfalls verändert werden.
- Halten Sie das Verpackungsmaterial außerhalb der Reichweite von Kindern und entsorgen Sie das
- Material ordnungsgemäß. Plastiktüten und -Verpackungen sind kein Spielzeug und sollten außerhalb der Reichweite von Kleinkindern und Kindern gehalten werden.
- Nicht bei starkem Wind verwenden.
- Wenn das Gerät in Verwendung ist, lassen Sie es nicht unbeaufsichtigt.
- Nur zur Verwendung im Freien.
- Dieses Gerät darf nicht zum Kochen oder Grillen verwendet werden.
- Dies ist ein dekoratives, gasbetriebenes Gerät und sollte niemals mit festen Brennstoffen (wie zum Beispiel: Kohle, Holzkohle oder Holzstücken etc.) betrieben werden und darf nicht als Verbrennungsanlage für die Verbrennung von Müll verwendet werden.
- Des Weiteren darf dieses Gerät nicht mit flüssigem Brennstoff (wie zum Beispiel: Benzin, Petroleum etc.) verwendet werden.
- Eine unsachgemäße Installation, Montage, Änderung, Wartung oder Instandhaltung kann zu
- Verletzungen oder Sachschäden führen.
- Lesen Sie die Installations-, Betriebs- und Wartungsanweisungen sorgfältig durch, bevor dieses Gerät montiert, installiert oder gewartet wird.
- Dieses Gerät darf NUR im Freien/Außenbereich bei guter Belüftung verwendet werden und darf NICHT in Gebäuden, Garagen oder anderen geschlossenen Räumen verwendet werden.
- Dieses Gerät ist nur für die Verwendung von Propangas (LP) oder Erdgas (NG) - je nach Version des Geräts - geeignet, die gewünschte Art des Brennstoffes muss zum Zeitpunkt des Kaufes bekannt gegeben werden, und der Installateur muss die Angaben auf dem Typenschild des Geräts kontrollieren, um sicher zu gehen, dass die richtige Verbindung für den gewünschten Gastyp angeschlossen wird.
- Gasflaschen müssen im Freien in einer gutbelüfteten Umgebung und außerhalb der Reichweite von Kindern aufbewahrt werden.
- Nicht angeschlossene Gasflaschen müssen einen Sicherheitsverschluss auf dem Ventil montiert haben und dürfen nicht in Gebäuden, Garagen oder anderen geschlossenen Räumen aufbewahrt werden. Lagern Sie Gasflaschen immer in Berücksichtigung der gesetzlichen Richtlinien zur Lagerung von Flüssiggas in Gasbehältern („Code of Practice for keeping liquefied petroleum gas in cylinders“, herausgegeben von Gesundheits- und Sicherheitsexekutive erhältlich durch HMSO).
- Die Lagerung des Geräts ist im Innenbereich nur gestattet, wenn die Brennstoffversorgung unterbrochen wurde (wenn die Gasflasche oder die Erdgasleitung nicht mehr am Gerät angeschlossen sind).
- Falls ein übermäßiger Verschleiß oder Abnutzung an einem Bestandteil des Geräts besteht oder der Schlauch abgeschnitten ist, muss dieser Teil umgehend getauscht werden.
- Dieses Gerät ist nicht geeignet zur Verwendung als Trocknungsapparat. Deshalb ist es untersagt dieses Gerät als solches zu verwenden.
- **Im Umkreis von einem Meter des Geräts dürfen keine**
- **Gegenstände platziert werden, da dies zu einem Schaden an diesem Gegenstand führen kann.**
- **Kleidung oder andere brennbare Materialien sollten nicht in der Nähe des Geräts aufgehängt, auf dem Gerät oder in der Nähe platziert werden.**
- Überprüfen Sie die gasführenden Teile auf Anzeichen eines Lecks, bevor Sie das Gerät in Betrieb nehmen.
- Der Druckregler und der Gasschlauch, welche im Lieferumfang enthalten sind, sind zu verwenden. Ersatzweiser Druckregler oder Gasschlauch müssen den Angaben dieser Bedienungsanleitung entsprechen.
- Das Gasflaschenversorgungssystem muss für Dampfaustritt geeignet sein.
- Die verwendete Gasflasche muss über eine Schutzkappe/ -vorrichtung zum Schutz des Ventils verfügen.
- Wenn die Gasflasche nicht in Gebrauch ist, muss die Gaszufuhr des Geräts geschlossen werden.
- Um die Lebensdauer Ihres Geräts zu verlängern, schützen und decken Sie das Gerät vor Umwelteinflüssen ab, wenn es nicht in Gebrauch ist.

Örtlichkeit

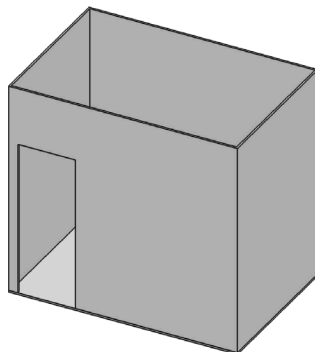
Platzwahl für Ihr Outdoor-Gerät:

Bei der Platzwahl Ihres *PatioFlame*-Feuertisches ist es wichtig sicher zu gehen, dass genügend Abstand zu naheliegenden brennbaren Materialien besteht. Dieses Gerät ist nur für die Installation auf einer Außenterrasse oder im Garten geeignet. Es ist zu empfehlen, dass dieses Gerät in einen geschützten Bereich installiert wird (folgen Sie dazu den nachstehenden Anweisungen). Direkte Zugluft verursacht ein unregelmäßiges Flammenbild und kann zu einem Erlöschen der Flamme führen. Eine unregelmäßige Flamme kann auch zu übermäßiger Bildung von Kohlenstoff (schwarzer Ruß), dieser Zustand ist nicht bedenklich hinsichtlich Sicherheit, es ist lediglich aus optischen Gründen unerwünscht.

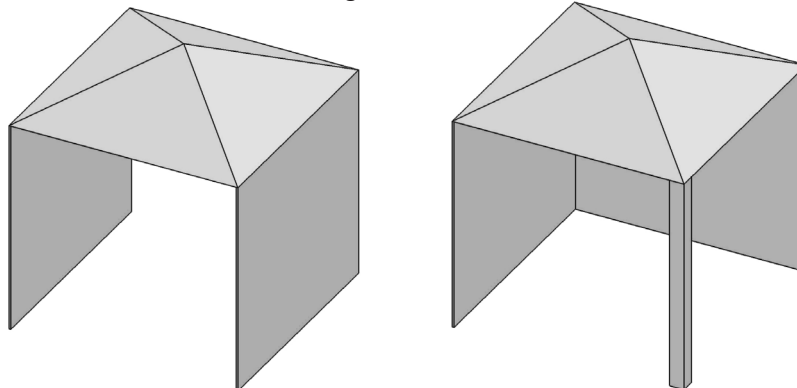
Hinweis: Bei der Auswahl für den Standort des Geräts, geben Sie Acht darauf, dass keine Bereiche gewählt werden, an denen übermäßige Feuchtigkeit oder fließendes Wasser ein Problem sein könnten.

Jegliches Gehäuse oder Vorrichtung, in der das Gerät verwendet wird, muss die folgenden Kriterien erfüllen:

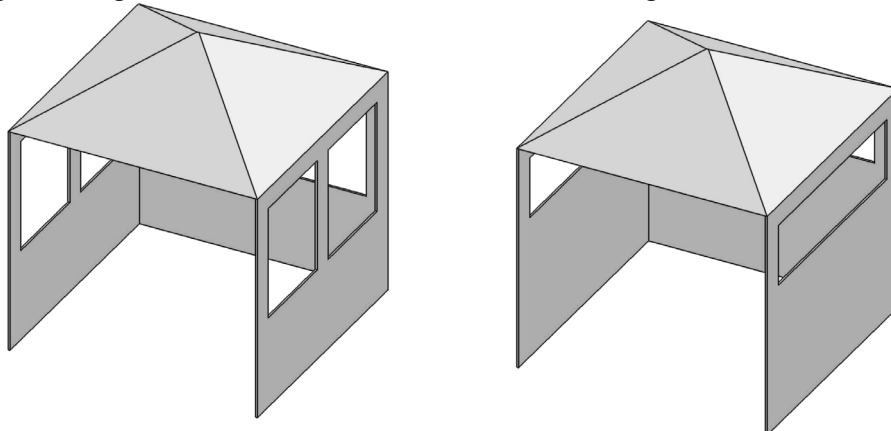
Bei Wänden an allen Seiten muss zumindest immer unterhalb und oberhalb des Geräts frei (ohne Abdeckung) bleiben.



Eine teilweise Verbauung des Geräts, welche auch eine Wand über dem Gerät hat und nicht mehr als zwei Seitenwände, ist möglich. Diese Seitenwände können parallel sein, wie ein Belüftungskanal oder sie können im rechten Winkel zueinander angeordnet sein.



Auch eine teilweise Verbauung des Geräts, welche oberhalb eine Wand und drei Seitenwände hat, ist möglich, solange 30 Prozent oder mehr des horizontalen Umfangs des Gehäuses immer geöffnet sind.



Entsorgung von Altgeräten aus privaten Haushalten in der EU



Dieses Symbol auf dem Produkt oder dessen Verpackung gibt an, dass das Produkt innerhalb der EU nicht zusammen mit dem Restmüll entsorgt werden darf. Die separate Sammlung und das Recyceln Ihrer alten Elektrogeräte zum Zeitpunkt ihrer Entsorgung trägt zum Schutz der Umwelt bei und gewährleistet, dass sie auf eine Art und Weise recycelt werden, die keine Gefährdung für die Gesundheit des Menschen und der Umwelt darstellt. Es obliegt daher Ihrer Verantwortung, das Gerät an einer entsprechenden Rücknahmestelle für die Entsorgung oder Wiederverwertung von Elektro- oder Elektronik-Altgeräten aller Art abzugeben oder wenden Sie sich an den Händler, von dem das Produkt erworben wurde. Gemäß den lokalen Bestimmungen gewährleisten diese Stellen, dass das Gerät auf eine Art und Weise recycelt wird, die keine Gefährdung für die Umwelt darstellt.

DE

Gasflaschen

Es dürfen nur Gasflaschen benutzt werden, die die einschlägigen gesetzlichen Bestimmungen erfüllen. Für einen optimalen Betrieb sollte Propangas verwendet werden. Die Mindestflaschengröße bei Butan ist 13 kg, bei Propan 6 kg. Die Flasche muss eine für den Betrieb ausreichende Gasmenge liefern können. Im Zweifelsfall wird der Gaslieferant mit Informationen dazu behilflich sein können.

- Das Ventil der Gasflasche ist vorsichtig zu behandeln.
- Eine Flasche, die die gesetzlichen Bestimmungen nicht erfüllt, darf nicht angeschlossen werden.
- Alle Gasflaschen, die größer als 7 kg sind, müssen außerhalb des Gerätes am Boden gelagert werden. Gasflaschen, die kleiner als 7 kg (maximale Höhe 465 mm und maximale Breite 306 mm) dürfen im Gehäuse des Gerätes platziert werden. Nur Gasflaschen, die mit dem Gerät verbunden sind, können im Unterbau des Geräts oder in der Nähe des Geräts, aufbewahrt werden. Zusätzliche Gasflaschen dürfen nicht im Gerät oder in der Nähe eines in Betrieb genommenen Geräts aufbewahrt werden. Gasflaschen dürfen nicht extremer Hitze oder direktem Sonnenlicht ausgesetzt werden.



ACHTUNG! Der Schlauch muss den vorgeschriebenen Abstand zum Boden des Geräts haben. Wenn der Schlauch heiße Flächen berührt, kann er schmelzen und undicht werden und einen Brand verursachen.

FLASCHENANSCHLUSS: Verschluss-/ Sicherheitskappe vom Flaschenventil entfernen. Regler an das Flaschenventil anschließen. Vor der Benutzung des Geräts alle Verbindungen auf Dichtheit überprüfen. Eine Dichtheitsprüfung (Leckagetest) muss jährlich, nach jedem Anschließen einer Gasflasche und nach Auswechseln eines Gasbauteils durchgeführt werden.

Gasschlauch

- Gehören Schlauch und Regler nicht zum Lieferumfang, dürfen nur solche Schläuche und Regler verwendet werden, die die einschlägigen gesetzlichen Bestimmungen erfüllen.
- Stellen Sie sicher, dass der Schlauch nicht mit heißen Oberflächen des Gerätes- besonders mit der Unterseite des Brenners.
- Schlauch regelmäßig überprüfen. Ein Schlauch, der Risse oder Schmelzstellen aufweist oder abgenutzt ist, muss vor der nächsten Benutzung des Geräts ersetzt werden.
- Es wird eine Schlauchlänge von 0,9 m empfohlen. Der Schlauch darf nicht länger als 1,5 m sein.
- Beim Anschließen ist darauf zu achten, dass der Schlauch knickfrei und nicht verdreht ist.
- Der Schlauch ist vor dem aufgedruckten Ablaufdatum auszuwechseln.

Technische Daten

In der folgenden Tabelle sind die Anschlussarten des Geräts aufgelistet:

Düsengröße			(Roh)-Heizleistung (Gesamt)	Gasverbrauch (Gesamt)	
I	II	III		I/II	III
#51	#53	#36	11.5 kW	837 g/hr	1092 L/hr

Zugelassene Gase / Druck – Prüfen Sie das Typenschild, um sicher zu gehen, dass es mit den aufgelisteten Werten übereinstimmt.

Gaskategorie	¹ 3B/P(30)	¹ 3+(28-30/37)	¹ 3B/P(50)	¹ 2H	¹ 2E	¹ 2E+
Düsengröße (siehe oben)	I	I	II	III	III	III
Gasdruck	Butan und Propane bei 30mbar	Butan 28-30mbar Propane 37mbar	Butan und Propane bei 50mbar	G20 bei 20mbar	G20 bei 20/25 mbar	G20/G25 bei 20/25 mbar
Länder	BE, BG, CY, DK, EE, FI, FR, GB, HR, HU, IS, IT, LT, LU, MT, NL, NO, RO, SE, SI, SK, TR	BE, CH, CY, CZ, ES, FR, GB, GR, IE, IT, LT, LU, LV, PT, SK, SI	AT, CH, DE, SK	AT, BG, CH, CZ, DK, EE, ES, FI, GB, GR, HR, HU, IE, IS, IT, LV, LT, NO, PT, RO, SE, SI, SK, TR	DE, LU, PL	BE,FR

Nehmen Sie keinerlei Änderungen am Druckregler vor. Verwenden Sie nur Druckregler, welche den Druck liefern/ergeben, der in der obigen Tabelle gelistet ist. Ersetzen Sie den Druckregler nur mit vom Hersteller vorgegebenen Modellen.

Flaschenanschluss

HINWEIS! Einige Druckminderer-Schlauch-Sets haben eine Mutter und ein Linksgewinde, während bei anderen ON zum Anschluss und OFF zum Abtrennen gedrückt werden muss. Bitte beachten Sie die untenstehenden Anweisungen für das jeweilige Modell.

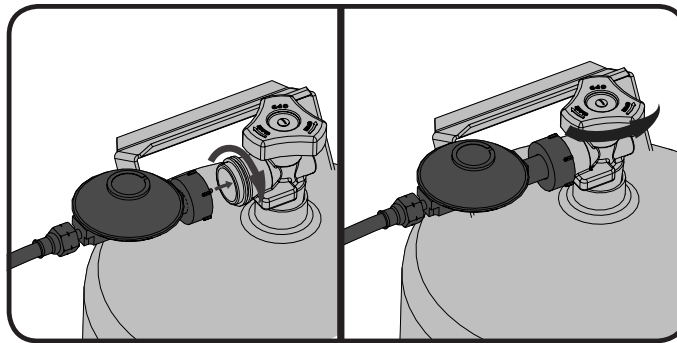


FIG. 1

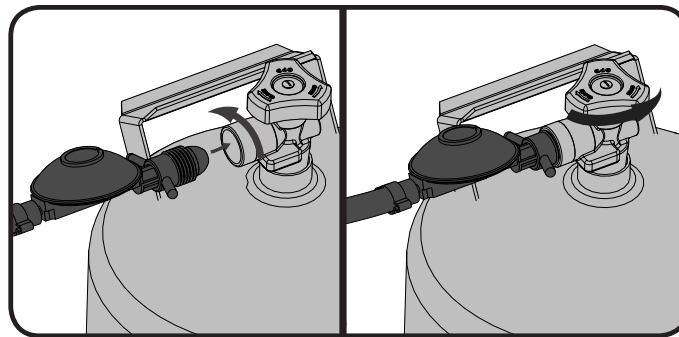


FIG. 2

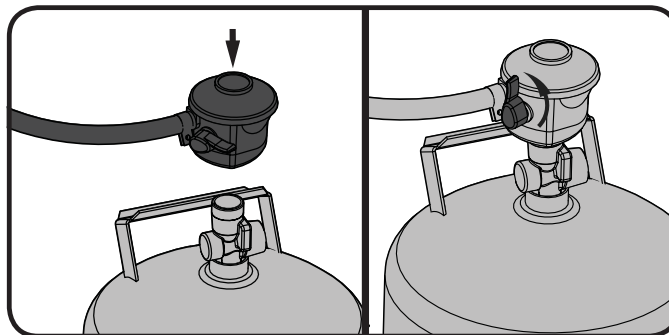


FIG. 3

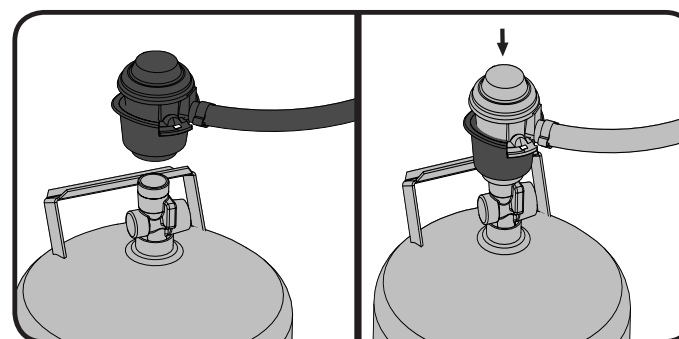
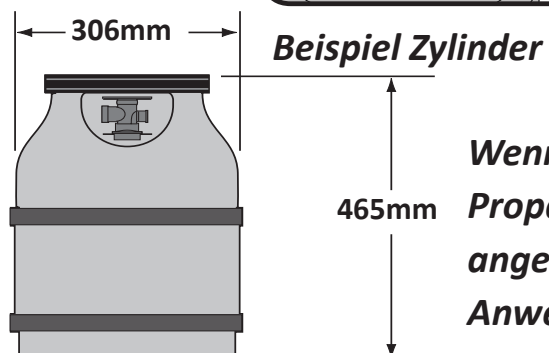


FIG. 4



Wenn dieses Gerät direkt an eine Propangasversorgung eines Eigenheims angeschlossen wird, folgen Sie den Anweisungen für Erdgasanschluss.

Erdgasanschluss

Die Verantwortung über die Installation der Gasleitung und über die Gasleitung an sich bis zum Gerät liegt beim Installateur. Schließen Sie das Einlassventil an eine starre Leitung, eine Kupferleitung oder einen zugelassenen flexiblen Metallschlauch, welcher den regionalen gesetzlichen Bestimmungen entsprechen. Bei der Verwendung eines Gasschlauches (der nicht im Lieferumfang enthalten ist) schließen Sie das offene Ende des Schlauches an die Verbindung am Ende des Einlassventils an. Schrauben Sie dies mithilfe zweier Gabelschlüssel fest. (Verwenden Sie keine Gewindeabdichtung/ Schmiermittel). Vor der Benützung des Geräts alle Verbindungen auf Dichtheit prüfen. Leitungen und Ventile bis hin zum Steckverbinder sind nicht im Lieferumfang enthalten. Die Installation muss den regionalen und gesetzlichen Bestimmungen entsprechen. Die gasführenden Leitungen müssen für die am Typenschild angegeben kW Leistung geeignet sein, bezogen auf die Länge der Rohrleitungen. Die Steckverbindung darf nicht vorgeschaltet montiert werden und ein leicht erreichbares manuelles Schnellschlussventil muss vorgeschaltet und so nah wie möglich an die Steckverbindung montiert werden.

Entlüften Sie die Gasversorgungsleitung vor dem ersten Zünden des Geräts.



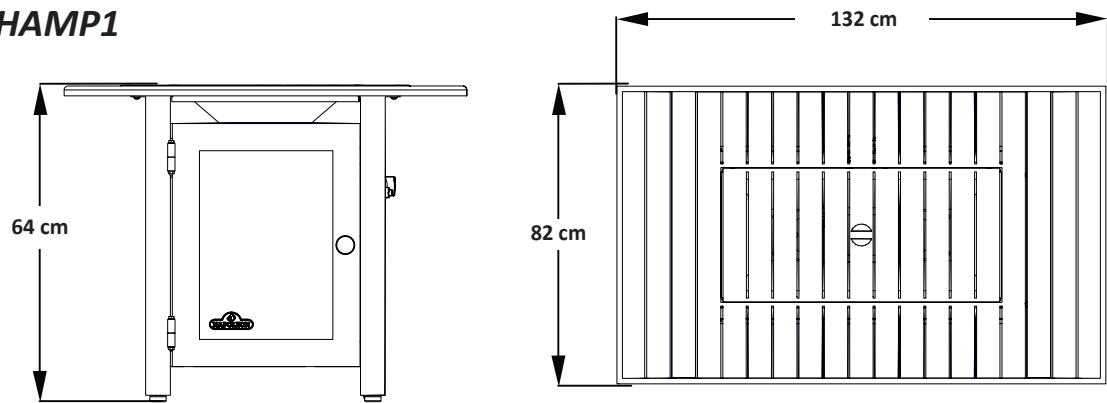
ACHTUNG!

- Die Installation muss von einem zugelassenen Gasinstallateur durchgeführt werden, und alle Verbindungen müssen vor der Inbetriebnahme des Geräts auf ihre Dichtheit überprüft werden.
- Stellen Sie sicher, dass alle Schlauchverbindungen fest gezogen sind, nehmen Sie zwei Gabelschlüssel zur Hilfe. Verwenden Sie kein Teflon Band oder Schmiermittel an den Schlauchanschlüssen.
- Stellen Sie sicher, dass der Gasschlauch nicht in Berührung mit heißen Oberflächen kommt, ansonsten kann es zum Schmelzen, einer Undichtheit des Schlauches und in weiterer Folge zu einem Brand führen.
- Platzieren Sie den Schlauch so, dass niemand am Passieren des Geräts gehindert wird, damit es zu keinen Verletzungen oder unabsichtlichen Beschädigungen am Gerät kommt. Überprüfen Sie alle Verbindungen mit Seifenlauge auf Gaslecks, folgen Sie dazu den Anweisungen für die Dichtheitsprobe in der Bedienungsanleitung.

Ausstattungsmerkmale

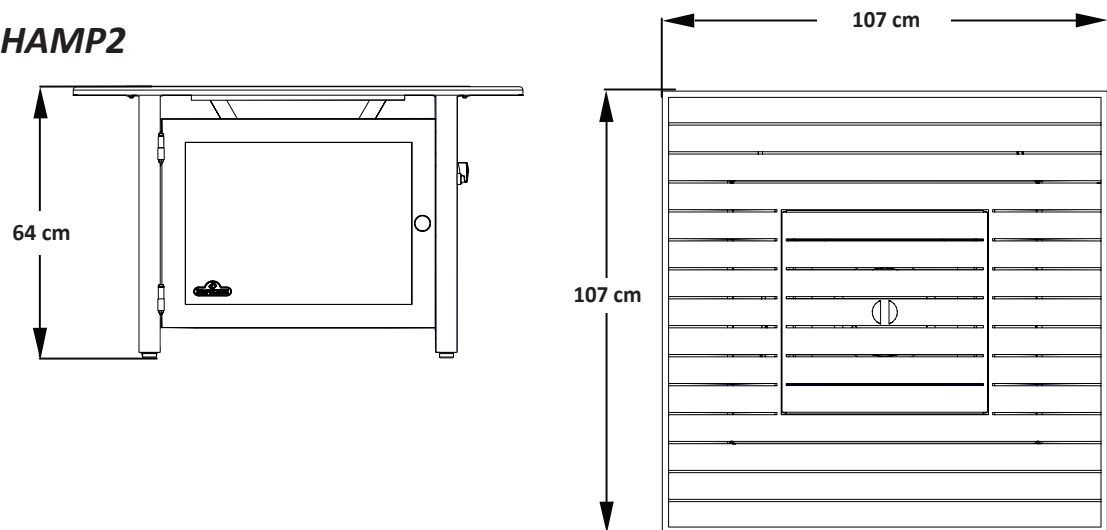
DIMENSIONS

HAMP1

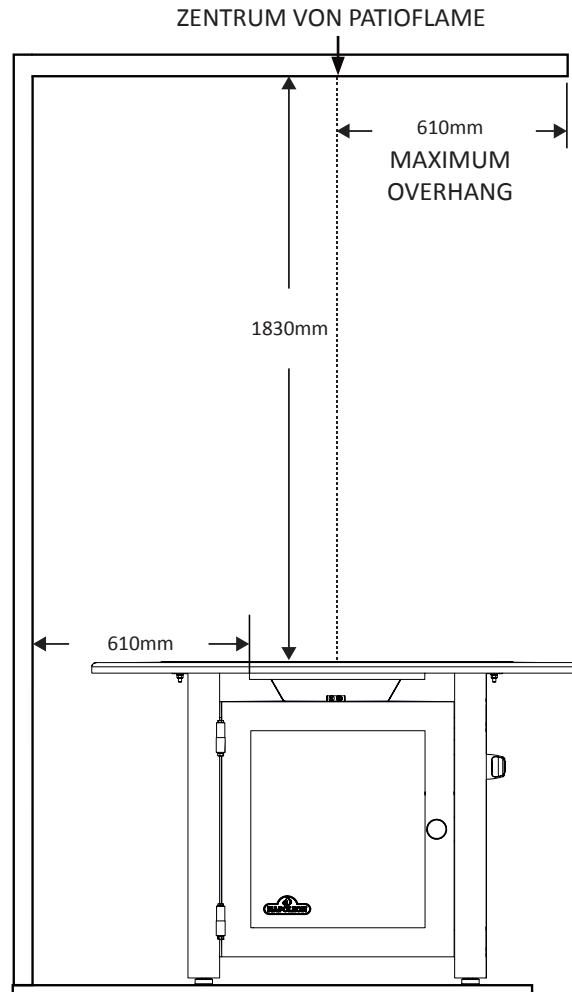


DE

HAMP2



MINIMALER ABSTAND ZU BRENNBAREN MATERIALIEN		
	INCHES	MM
Seitenwände	24	610
Tischplatte des Geräts zur Decke	72	1830



**DIESER TISCH IST FÜR DIE NUTZUNG AUF BRENNBAREN BÖDEN
ZUGELASSEN.**

Anleitung zur Dichtheitsprüfung (Leckagetest)



ACHTUNG! Ein Leckagetest muss vor der ersten Benutzung, jährlich und nach Auswechseln oder Warten eines Gasbauteils durchgeführt werden.



ACHTUNG! Verwenden Sie keine Flammen (offenes Feuer), um Gaslecks zu überprüfen. Alle Zündquellen, wie Funken oder Flammen sind zu entfernen. Funken oder offene Flammen können eine Explosion, Sachschäden oder schwere Verletzungen bis hin zum Tod verursachen.



Leckageprüfung: Ein Leckagetest muss vor der ersten Benutzung, jährlich und nach Auswechseln oder Warten eines Gasbauteils durchgeführt werden. Während der Prüfung ist Rauchen verboten. Alle Zündquellen sind zu entfernen. Die zu prüfenden Stellen sind im „Dichtheitsprüfungs-Diagramm“ angeführt.



Alle Brenner abstellen. Flaschenventil aufdrehen.

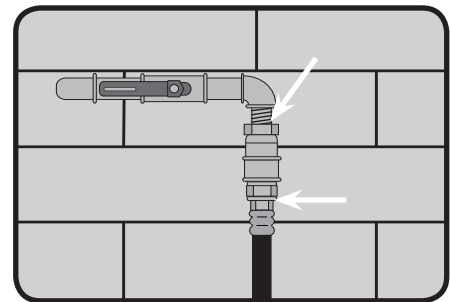
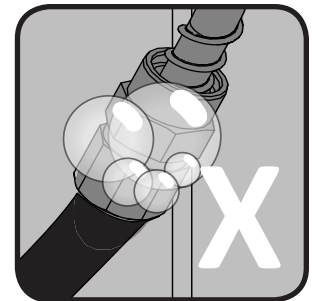
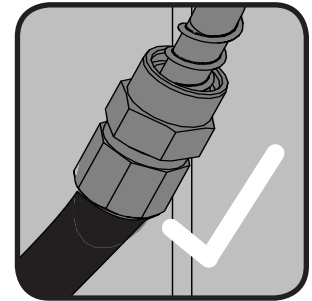
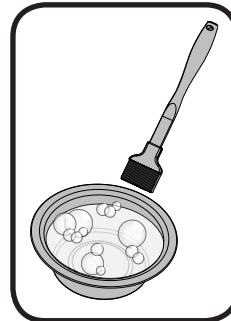
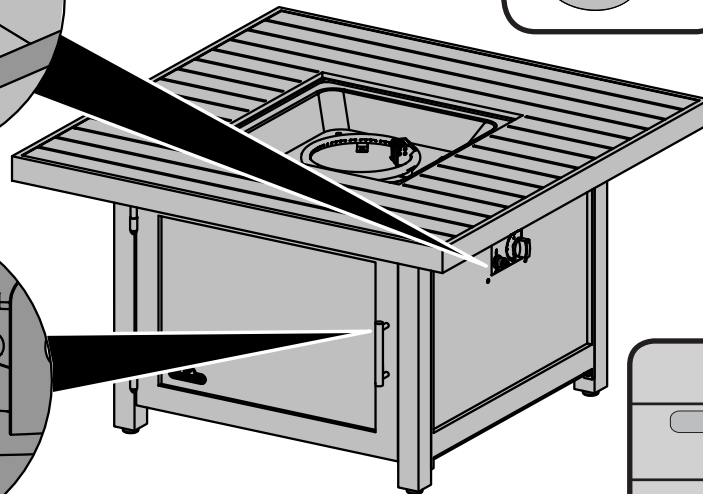
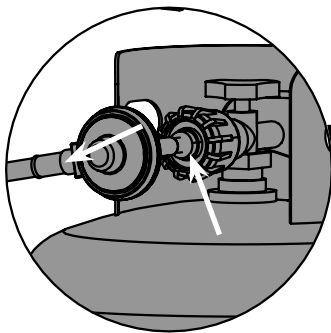
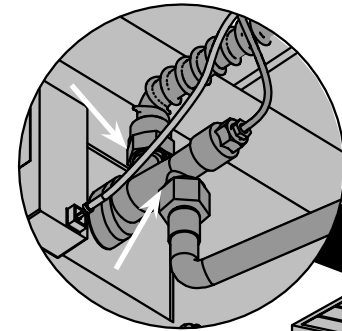
Seifenwasser (halb Wasser, halb Flüssigseife) auf alle Anschlüsse und Verbindungen an Regler, Schlauch, Verteiler und Ventile auftragen.

Lecks werden durch Blasenbildung angezeigt. Lecks durch Festdrehen des Anschlusses oder Austausch des Teils durch ein vom NAPOLEON Händler empfohlenes Teil beseitigen und lassen Sie das Gerät von einem zugelassenen Gasinstallateur überprüfen.

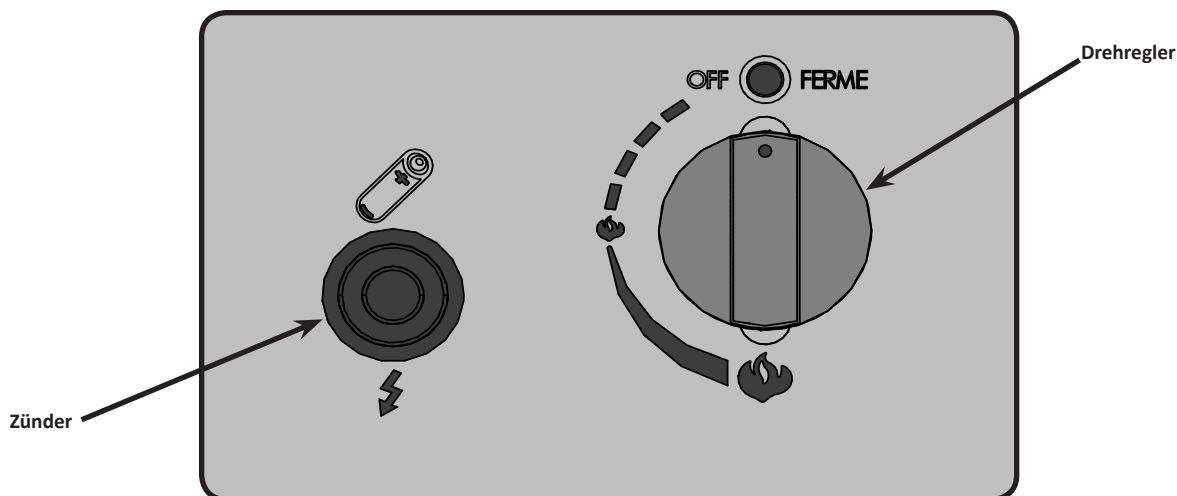
Bleibt das Leck bestehen, **Flaschenventil umgehend zudrehen**, Regler abnehmen und Grill vom Gaslieferanten oder Händler untersuchen lassen. Das Gerät darf erst wieder benutzt werden, wenn die Undichtheit behoben ist.



VERWENDEN SIE KEINE OFFENEN FLAMMEN.



Zündanleitung



ACHTUNG! Bei der Zündung halten Sie Gesicht und Körper weg vom Gerät.

ACHTUNG! Stellen Sie sicher, dass das Brenner-Bedienelement in der „OFF“ (Aus) Position gestellt ist. Drehen Sie langsam das Gasventil auf.

1. Drücken und halten Sie den Knopf für die elektronische Zündung (⚡).

2. Drehen Sie das Brenner- Bedienelement auf eine niedrige Position, drücken und halten. Wenn der Brenner zündet, lassen Sie den Knopf für die elektronische Zündung aus.

3. Halten Sie das Brenner- Bedienelement weiterhin für 30 Sekunden gedrückt und lassen Sie dann aus. Sollten die Flammen erlöschen, wiederholen Sie den Vorgang.

4. Justieren Sie die Flamme auf die gewünschte Höhe mithilfe des Brenner-Bedienelements.

5. Sollte der Brenner mit der elektronischen Zündung nicht zünden, halten Sie ein langes Streichholz oder langes Stabfeuerzeug zur Brennereinheit und gehen Sie weiter ab Schritt 2.

6. Um den Brenner abzustellen, drehen Sie das Brenner-Bedienelement im Uhrzeigersinn (rechts herum) zur „OFF“ Position. Dann drehen Sie die Gaszufuhr zur Gasversorgung (Gasflasche, Erdgasanschluss) ab.



ACHTUNG! Wenn der Brenner nicht innerhalb von 10 Sekunden zündet, schalten Sie den Brenner ab und warten Sie 5 Minuten, damit sich unverbranntes Gas verflüchtigen kann, bevor Sie den Vorgang wiederholen.

Bedienung des PATIO FLAME Tisches



ACHTUNG! Verwenden Sie dieses Gerät nur für den ursprünglichen Zweck des Gerätes. Verwenden Sie dieses Gerät nicht zur Zubereitung von Essen.



ACHTUNG! Beachten Sie, dass ein einfacher Zugang zur Bedieneinheit („ON/OFF“-Regler) NACH der Montage, Installation und dem Anschluss an die Gasversorgung des Gerätes gegeben ist, damit der Brenner immer sicher abgedreht werden kann.

Erstinbetriebnahme: Beim ersten Entzünden des Brenners kann das Gerät einen leichten Geruch absondern. Dies ist ein normaler vorübergehender Zustand, verursacht durch das „Einbrennen“ der Farbstoffe und Schmierstoffe, welche im Herstellungsprozess verwendet werden, diese Geruchsbildung ist einmalig und tritt nicht nochmal auf. Lassen Sie den Brenner bei höchster Stufe für eine halbe Stunde an.



ACHTUNG!

- Kinder und Erwachsene sollten die Gefahren hoher Temperaturen der Oberflächen beachten und sollten sich in ausreichendem Abstand zum Gerät aufhalten, um Verbrennungen oder das Entzünden von Kleidung zu vermeiden.
- Kinder sollten aufmerksam überwacht werden, wenn sie in der Nähe des Gerätes sind.
- Kleidung oder andere brennbare Materialien sollten nicht auf dem oder in der Nähe des Gerätes aufgehängt oder platziert werden. Der Bereich oberhalb des Gerätes kann sehr heiß sein. Direkte Berührungen auf den Oberflächen unterlassen, um Verbrennungen oder ein Entzünden von Kleidung zu vermeiden.
- Jegliche Überwachungs- und Schutzvorrichtungen, welche für die Wartung des Gerätes entfernt werden, müssen vor Inbetriebnahme des Geräts wieder angebracht werden.
- Installationen und Reparaturen sollten von einem qualifizierten Servicetechniker durchgeführt werden. Das Gerät sollte vor jedem Gebrauch und mindestens einmal jährlich von einem zugelassenen Techniker überprüft werden. Unter Umständen ist eine häufigere Reinigung als nötig erforderlich. Es ist zwingend notwendig, dass die Kontrolleinheit, der Brenner und zirkulierende Luftkanäle des Gerätes sauber gehalten werden.



ACHTUNG!

- Benützen Sie das Gerät nicht im Regen.
- Schalten Sie das Gerät ab, wenn es zu regnen beginnt.
- Es dürfen keine Flüssigkeiten auf das Glas, die Flammen oder den Brenner gelangen, wenn das Gerät in Betrieb ist.
- Das Glas / Glasstücke sind extrem heiß, während das Gerät in Betrieb ist, deshalb darf es nicht berührt werden.
- Achten Sie immer darauf, dass das Gerät fest auf ebenem Untergrund steht.
- Verwenden Sie das Gerät nicht, wenn der Brenner beschädigt ist. Überprüfen Sie den Brenner vor jedem Gebrauch. Stellen Sie sicher, dass kein Schmutz/Ablagerungen wie Laub, Gras oder andere Fremdkörper sich im oder auf dem Gerät befinden. Wenn der Brenner beschädigt ist, muss dieser vor dem nächsten Einsatz durch einen vom Napoleon Händler angegebenen Brenner getauscht werden. Überprüfen Sie die Gasschlauchleitung vor jedem Gebrauch. Wenn es Anzeichen für eine übermäßige Abnutzung oder Verschleiß gibt oder falls der Schlauch beschädigt ist, muss dieser ebenfalls vor Inbetriebnahme durch einen von Ihrem Napoleon Händler empfohlenen Gasschlauch ersetzt werden.

HINWEIS! Das Gerät ist mit mehreren Sicherheitsmerkmalen, wie zum Beispiel einem Sicherheitsventil, ausgestattet. Wenn die Brenner-Flamme des Gerätes erlischt, schaltet es sich automatisch ab.



ACHTUNG! Jegliche Änderung am Gerät kann die Sicherheit des Gerätes beeinträchtigen. Besondere Sorge ist wie folgt zu tragen:

- Umgehen Sie nicht die Thermoelement-Sicherung.
- Das Gerät nicht verwenden, wenn ein Teil unter Wasser war. Lassen Sie das Gerät von einem zugelassenen Servicetechniker umgehend überprüfen und alle Teile des Bedienelements und der Gaseinheit, welche unter Wasser waren, ersetzen.

Wartung, Pflege Und Reinigung



DE

ACHTUNG! Das hitzebeständige Glas kann scharfe Kanten haben, tragen Sie deshalb eine Schutzbrille und Handschuhe, wenn Sie damit hantieren. Tauschen oder ersetzen Sie dieses mitgelieferte hitzebeständige Glas nicht durch andere Materialien. Wenn Sie dieses hitzebeständige Glas ersetzen möchten, wenden Sie sich ausschließlich an Ihren Napoleon Fachhändler.

ACHTUNG! Um Verbrennungen zu vermeiden, müssen die Wartungen im kalten Zustand des Geräts durchgeführt werden. Vermeiden Sie schutzlosen Kontakt mit heißen Oberflächen. Stellen Sie sicher, dass der Brenner ausgeschaltet ist. Drehen Sie die Gasversorgung ab und trennen Sie diese vom Gerät vor der Wartung. Reinigen Sie das Gerät in einem Bereich an dem Reinigungslösungen auf der Veranda, dem Rasen oder der Terrasse keine Schäden verursachen können. Verwenden Sie keine entzündbaren, korrodierenden oder aggressiven Reiniger.

Hinweis: In chlorid- und sulfidhaltigen Umgebungen kann auch rostfreier Stahl oxidieren oder Flecken aufweisen. Dazu gehören insbesondere Küstenregionen und andere extreme Bedingungen, z. B. die nähere Umgebung von Pools und Whirlpools, die von hoher Wärme und Luftfeuchtigkeit gekennzeichnet ist. Diese Flecken werden manchmal mit Rost verwechselt, aber sie können einfach entfernt und vermieden werden. Reiben Sie alle rostfreien Stahlflächen alle 3 bis 4 Wochen mit Leitungswasser und einem Reinigungsmittel für rostfreien Stahl ab, um die Entstehung von Flecken zu verhindern.

Bedienleiste: Die Bedienleistenbeschriftung wird direkt auf die Edelstahloberfläche gedruckt und bei sachgerechter Pflege bleibt der Aufdruck dunkel und lesbar. Zur Reinigung der Bedienleiste warme Seifenlauge oder Edelstahlreiniger verwenden. Edelstahlreiniger ist bei Ihrem Napoleon-Händler erhältlich. Keine scheuernden Reinigungsmittel zur Reinigung von Edelstahlflächen verwenden. Dies kann vor allem auf der Bedienleiste zum Abrieb der aufgedruckten Beschriftung führen.



ACHTUNG! Bei der erneuten Installation des gereinigten Brenners unbedingt sicherstellen, dass das Ventil/die Öffnung in das Brennerrohr führt, bevor der Gasgrill angezündet wird. Wenn das Ventil sich nicht innerhalb des Brennerrohrs befindet, kann es zu Brand oder Explosion kommen.

Reinigung im Innenraum des Geräts: Während der Reinigung des Geräts, stellen Sie sicher, dass der Bereich rund um den Brenner und um das Bedienelement zu jeder Zeit trocken bleibt.



ACHTUNG! Wenn die Gaseinheit starker Feuchtigkeit oder Wasser ausgesetzt ist, versuchen Sie NICHT das Gerät zu verwenden. Die Gaseinheit muss getauscht werden.

Brenner: Dieser Brenner ist aus Edelstahl gefertigt, aufgrund hoher Temperaturen und Umwelteinflüsse kann trotzdem Korrosionen auftreten. Korrosion an der Oberfläche des Brenners kann mit einer Messingdrahtbürste entfernt werden. Überprüfen Sie den Brenner zumindest jährlich auf Risse, Verunreinigung durch Insekten, übermäßige Rostbildung oder andere Schäden. Wenn der Brenner beschädigt ist, muss dieser durch einem vom Hersteller zugelassenen Brenner ersetzt werden, bevor das Gerät wieder in Betrieb genommen wird.



VORSICHT! Geben Sie Acht auf Spinnennetze.

Spinnen und Insekten werden von Propan- und Erdgasgeruch angelockt. Damit sie im Brenner keine Nester bauen, ist der Lufteinlass mit einem Insektengitter versperrt, womit die Wahrscheinlichkeit einer Verunreinigung durch Insekten sinkt, aber nicht völlig ausgeschlossen ist. Ein Spinnennetz oder Gewebe kann verursachen, dass die Flamme des Brenners gelblich oder orange ist oder kann zum Rückschlagen der Flammen zum Lüftungsgitter unterhalb der Bedieneinheit führen. Andere Anzeichen für ein Problem können folgende Punkte sein:

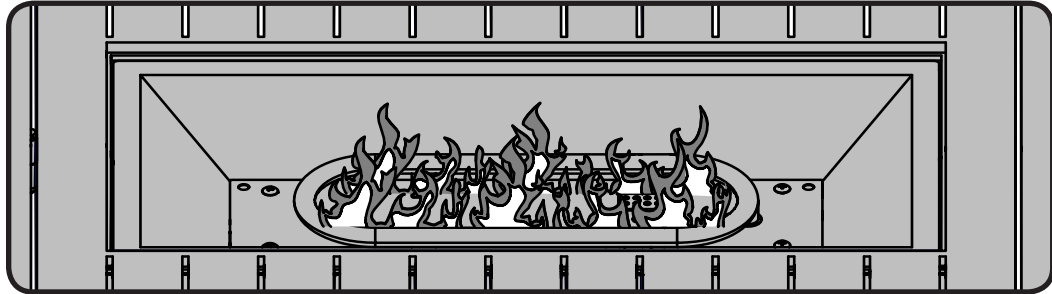
- Deutlicher oder ungewöhnlicher Geruch, welcher vom Gerät kommt.
- Wiederkehrende Probleme bei der Zündung oder deutlich verspätete Zündung.
- Die Höhe der Flamme ist entweder sehr kurz oder sehr lang.
- Die Flamme brennt nur abschnittsweise entlang des Brenners.
- Übermäßige Rußbildung über den hitzebeständigen Glasstücken.

Damit das Innere eines Brenners gereinigt werden kann, muss dieser aus dem Gerät ausgebaut werden: Entnehmen Sie die Glasstücke aus dem Gerät und überprüfen Sie den Brenner. Wenn dieser schmutzig ist, reinigen Sie den Brenner mit einer flexiblen Bürste.

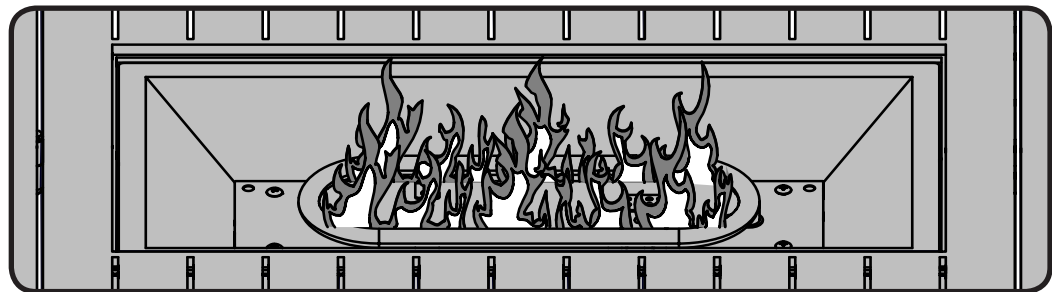
Reinigung: Um das Innere des Brenners zu reinigen, verwenden Sie eine flexible Röhrenbürste (Flaschenreinigungsbürste). Den gelösten Schmutz durch den Gaseinlass aus dem Brenner schütteln. Überprüfen Sie die Öffnungen des Brenners und das Ventil der Düse auf Verstopfungen. Die Löcher im Brenner können sich im Laufe der Zeit aufgrund von Verschmutzungen oder Korrosion schließen; verwenden Sie eine geöffnete Heftklammer oder einen Bohrer-Aufsatz, um die Löcher des Brenners zu reinigen. Die Öffnungen des Brenners sind einfacher zu reinigen, wenn der Brenner zuerst aus dem Gerät genommen wird, aber kann genauso im eingebauten Zustand durchgeführt werden.

Erneutes Einbauen des Brenners: Führen Sie diesen Vorgang in umgekehrter Reihenfolge durch, um den Brenner wieder einzubauen. Überprüfen Sie, dass das Ventil ordnungsgemäß in den Brenner geführt wird. Fügen Sie das hitzebeständige Glas wieder in das Behältnis ein. Wenn das Gerät wieder in Betrieb genommen wird, überzeugen Sie sich davon, dass die Flamme des Brenners, wie in der unten stehenden Zeichnung aufgezeigt, brennt.

NORMAL



NICHT NORMAL



Reinigung der Außenseite des Geräts: Verwenden Sie keine aggressiven Reinigungsmittel, Scheuermittel oder Stahlwolle auf allen gefärbten oder Edelstahl-Teilen Ihres Napoleon Geräts. Ansonsten könnte die Oberfläche zerkratzt werden. Äußere Oberflächen sollten mit warmen Seifenwasser gereinigt werden. Für die Reinigung von Edelstahlflächen verwenden Sie einen Edelstahl oder einen nicht scheuernden Reiniger. Wischen Sie immer in Richtung des Schiffs. Im Laufe der Zeit verfärben sich Edelstahlteile durch Hitzeeinwirkung, üblicherweise in goldene oder braune Farbtöne. Die Verfärbung ist normal und beeinflusst die Funktion des Geräts nicht.



ACHTUNG! Der Bereich rund um das Gerät muss frei sein, von brennbaren Materialien, Benzin und anderen brennbaren Dämpfen und Flüssigkeiten. Blockieren Sie nicht den Abzug der Verbrennungsluft und die Belüftung. Halten Sie die Öffnung für die Zuluft zur Gasflasche frei und auch frei von Schmutz.

Letzte Schritte

Platzieren des hitzebeständigen Glases



ACHTUNG! Verwenden Sie den PatioFlame Feuertisch niemals ohne das hitzebeständige Glas.

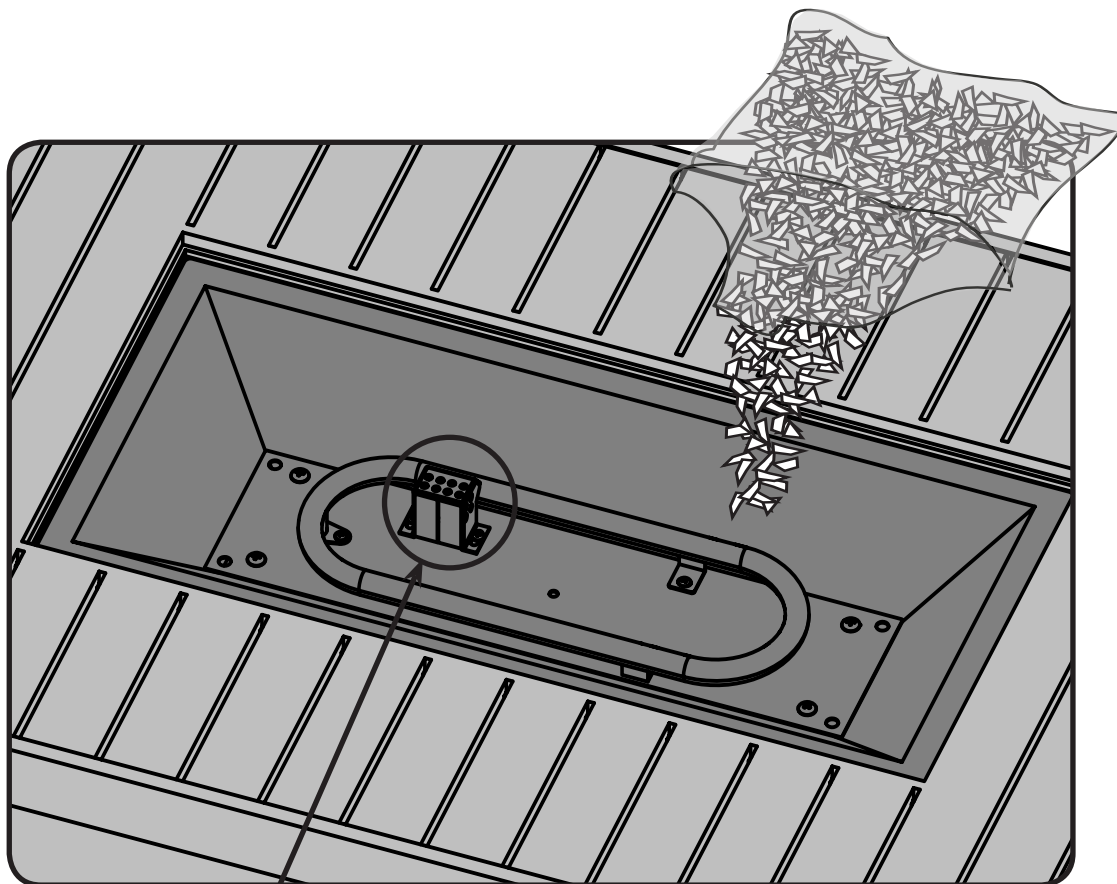


ACHTUNG! Das hitzebeständige Glas kann scharfe Kanten haben, tragen Sie deshalb eine Schutzbrille und Handschuhe, wenn Sie damit hantieren. Tauschen oder ersetzen Sie dieses mitgelieferte hitzebeständige Glas nicht durch andere Materialien. Wenn Sie dieses hitzebeständige Glas ersetzen möchten, wenden Sie sich ausschließlich an Ihren Napoleon Fachhändler.



ACHTUNG! Das hitzebeständige Glas kann feine Ölrückstände aufweisen, welche vor der Installation gereinigt werden sollten. Das Glas mit mildem Spülmittel reinigen, abtropfen lassen, gründlich abspülen und trocknen bevor Sie es im Gerät platzieren.

1. Befüllen Sie das dafür vorgesehene Behältnis vorsichtig mit dem hitzebeständigen Glas, wie unten dargestellt.
2. Verteilen Sie das hitzebeständige Glas gleichmäßig in dem Behältnis und über dem Brenner. Die Verteilung von Klarglas/Weißglas über dem Brenner wird die Höhe der Flamme beeinträchtigen.
3. Das hitzebeständige Glas muss das gesamte Brenner-Behältnis abdecken, zugleich ist sicher zu stellen, dass der Teil der Zündung, wie unten dargestellt, nicht verdeckt ist.



Stellen Sie sicher, dass kein Glasstück die Öffnung der Zündeinheit blockiert, dies könnte Schwierigkeiten bei der Zündung verursachen.

Problembehandlung

Problem	Mögliche Ursachen	Lösungen
Geringe Hitze/ niedrige Flamme trotz höchster Brennerstufe.	Bei Propangasgeräten – unsachgemäßer Anzünd-/Brennvorgang. Bei Erdgasgeräten – nicht richtig dimensionierte Gasleitung.	Folgen Sie genau der Zünd-Anleitung. Alle Regler müssen sich in der „Off-Position“ befinden, wenn das Gasflaschenventil aufgedreht wird. Gaszufuhr langsam aufdrehen, um Druckausgleich zu ermöglichen. Sehen Sie dazu Zünd-Anleitung. Der Gasschlauch muss den Installationsbedingungen entsprechen.
Brenner brennen mit gelber Flamme, begleitet von Gasgeruch.	Möglicherweise Spinnweben oder andere Fremdkörper.	Das Brennerrohr gründlich reinigen. Sehen Sie dazu die allgemeine Wartungsanleitung.
Brenner zündet nicht über die elektronische Zündung, aber lässt sich mit einem Zündholz manuell entfachen.	Die Batterie ist leer oder falsch eingesetzt. Das Elektroden-Kabel oder die Anschlussdrähte zum Schalter sind nicht richtig angesteckt. Unsachgemäßer Abstand zur Elektroden spitze.	Erneuern Sie die Batterie. Überprüfen Sie, ob das Elektroden-Kabel fest im Anschluss an der Rückseite des Zünders sitzt. Stellen Sie sicher, dass die Hauptkabel des Moduls zum Zündknopf (wenn vorhanden) richtig an der entsprechenden Vorrichtung angeschlossen sind. Der Spalt kann durch leichtes Biegen der Spitze der Elektrode eingestellt werden, bis ein Funke erkennbar ist.
Die Flamme des Brenners erlischt, auch wenn der Brenner-Regler aufgedreht ist.	Der Knopf wurde nicht lange genug gedrückt. Sehr windig/ zügig. Glasstücke oder Fremdkörper im Zündbereich des Brenners verhindern ein vollständiges Entflammen des Thermoelements. Verunreinigung des Thermoelements oder der Verbindung zum Thermoelement. Fehlerhaftes Thermoelement oder Ventil.	Thermoelement benötigt eine gewisse Zeit, um zu Erhitzen- halten Sie den Kopf 30 Sekunden lang gedrückt, sobald der Brenner entzündet, den Knopf loslassen. Die Einheit schaltet sich ab einer Windgeschwindigkeit von 16 km/h (10 mph) ab. Entweder platzieren Sie das Gerät an einem windstillen Ort (im Freien) oder verwenden Sie das Gerät, erst wieder wenn die Windgeschwindigkeit niedriger ist. Stellen Sie sicher, dass keine Glasstücke oder Fremdkörper im Zündbereich sind, und dass die kleine Öffnung unterhalb des Thermoelements frei ist. Reinigen Sie das Thermoelement und die Verbindung zwischen dem Ventil und dem Thermoventil. Stellen Sie sicher, dass die Verbindung sachgemäß angeschlossen ist. Ersetzen Sie das Thermoelement und/ oder Ventil.
Summendes Geräusch ausgehend vom Regulator.	Auftreten dieses Geräusches ist an heißen Tagen gewöhnlich.	Das ist kein Defekt. Vibrationen im Inneren des Regulators führen zu dieser Geräuschbildung und beeinträchtigt nicht die Sicherheit des Gasbrenners. Regulatoren, welche diese Geräusche von sich geben, werden nicht ersetzt.
Brennleistung auf hoher Einstellung ist zu schwach (grollendes Geräusch und flackernde, blaue Flammen an der Oberfläche des Brenners).	Zu wenig Gas. Gasschlauch ist eingeklemmt. Schmutzige oder verstopfte Düse. Spinnennetz oder andere Fremdkörper im Brennerrohr. Ventil an der Propan-Gasflasche ist zu wenig aufgedreht.	Füllmenge der Gasflasche prüfen. Gasschlauch entsprechend positionieren. Düse reinigen. Lüftungsgitter des Brenners reinigen. Stellen Sie sicher, dass die Anzünd-Anleitung genau befolgt wird. Alle Regler müssen sich in der „OFF“-Position befinden, wenn das Gasflaschenventil aufgedreht wird. Drehen Sie das Ventil langsam auf, sodass sich der Druck gleichmäßig verteilen kann. Siehe dazu: Anzünd-Anleitung.

BEWAHREN SIE IHRE QUITTING ALS KAUFNACHWEIS AUF, UM IHREN GARANTIEANSPRUCH ZU VALIDIEREN.

BESTELLUNG VON ERSATZTEILEN

GARANTIE-INFORMATIONEN

MODELL: _____

KAUFDATUM: _____

SERIENNUMMER: _____

(Alle für einen Garantieanspruch benötigten Informationen hier aufzeichnen)

Bevor Sie sich mit dem Kundenlösungen setzen, besuchen Sie bitte die Napoleon-Website unter www.napoleongrills.com, um ausführlichere Informationen zu Reinigung, Wartung und Pflege, Fehlerbehebung und Ersatzteile zu erhalten. Setzen Sie sich direkt mit dem Werk in Verbindung, um Ersatzteile zu bestellen und Garantieansprüche geltend zu machen. Kontaktieren Sie bitte den Importeur Ihres Landes (Kontakt Daten im Lieferumfang Ihres Grills enthalten) für Ersatzteile und Garantieansprüche.

Zur Bearbeitung eines Garantieanspruchs bitte die folgenden Informationen bereithalten:

1. Modell- und Seriennummer des Geräts
2. Teilenummer und –beschreibung
3. Vollständige Beschreibung des Problems („kaputt“ ist nicht ausreichend)
4. Kaufnachweis (Fotokopie der Rechnung)

In manchen Fällen kann der Kundenlösungen die Einsendung der Teile zur Überprüfung im Werk verlangen, bevor Ersatzteile ausgeliefert werden. Die Teile müssen unter Vorauszahlung aller Transportkosten und Angabe der folgenden Informationen an den Kundendienst versandt werden:

1. Modell- und Seriennummer des Geräts
2. Vollständige Beschreibung des Problems („kaputt“ ist nicht ausreichend)
3. Kaufnachweis (Fotokopie der Rechnung)
4. Autorisierungscode für die Rücksendung. Diese erhalten Sie vom Kundendienstmitarbeiter.

Beachten Sie, dass die folgenden Teile nicht unter die Garantie fallen, bevor Sie den Kundenlösungen kontaktieren:

- Transportkosten, Courtage oder Exportzölle
- Arbeitskosten für Aus- und Einbau
- Telefonkosten für Anrufe zur Diagnose eines Problems
- Verfärbungen von Edelstahlteilen
- Teileversagen aufgrund von mangelnder Reinigung und Pflege, oder Verwendung von falschen Reinigungsmitteln (Ofenreiniger)

Erste Schritte

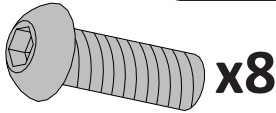
1. Nehmen Sie alle Teile aus der Kartonverpackung. Verwenden Sie die Liste der enthaltenen Teile, um sicher zu gehen, dass alle notwendigen Teile vorhanden sind.
2. Entsorgen oder vernichten Sie die Verpackung nicht bevor Sie das Gerät zu Ihrer Zufriedenheit zusammengestellt haben.
3. Wählen Sie einen Ort, der den in dieser Bedienungsanleitung beschriebenen Abstand zu brennbaren Materialien hat. Berücksichtigen Sie den notwendigen Platz zu einem leichten Zugang zum „ON/OFF“- Schalter bzw. zur Bedieneinheit, nachdem das Gerät installiert und an die Gasversorgung angeschlossen wurde, um den Brenner sicher ausschalten zu können.
4. **Die meisten Edelstahl-Bestandteile sind mit einer Schutzfolie überzogen, welche vor der Verwendung des Geräts entfernt werden muss. Die Schutzfolie wird während des Produktionsprozesses schon von einigen Teilen entfernt und es können dadurch Rückstände dieser Klebefolie hinterlassen werden, welche fälschlicherweise als vermeintliche Kratzer oder Mängel wahrgenommen werden könnten. Um diese Rückstände zu entfernen, wischen Sie kräftig über das Edelstahl in Richtung des Schiffs.**
5. Lesen und folgen Sie allen Anweisungen in dieser Bedienungsanleitung bevor Sie dieses Gas-Gerät installieren oder warten.



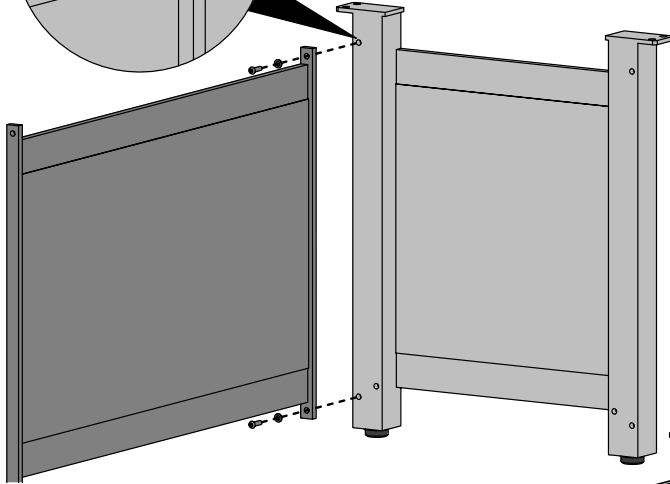
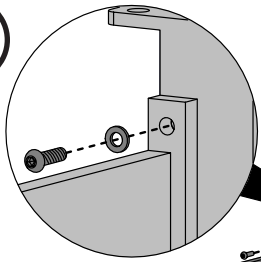
Wenn Sie Fragen zum Zusammenstellen oder zur Verwendung dieses Geräts haben oder wenn Teile defekt sind oder gefehlt haben, kontaktieren Sie unsere Service-Abteilung unter: TEL: +31-(0)345-588655 oder Email: service@napoleongrills.nl.

HAMP1

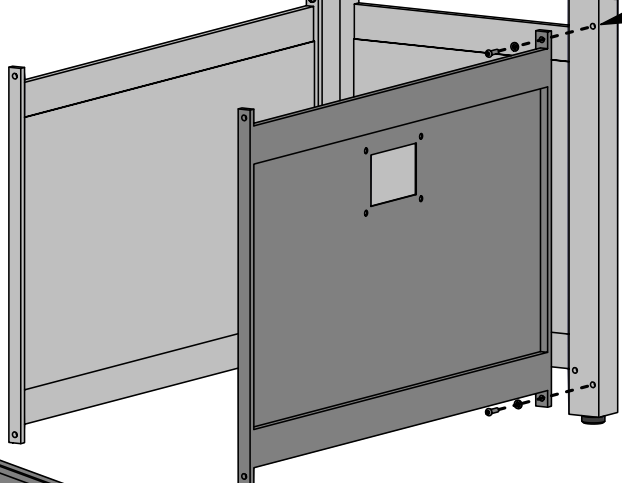
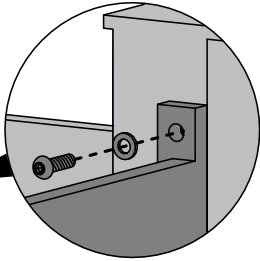
DE



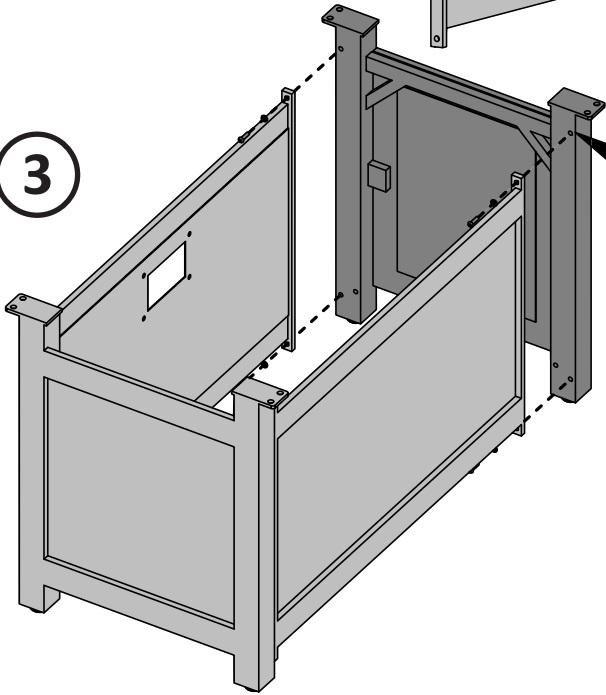
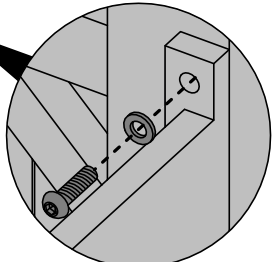
1

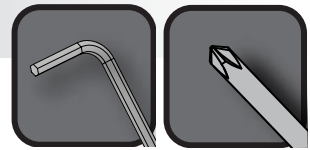


2

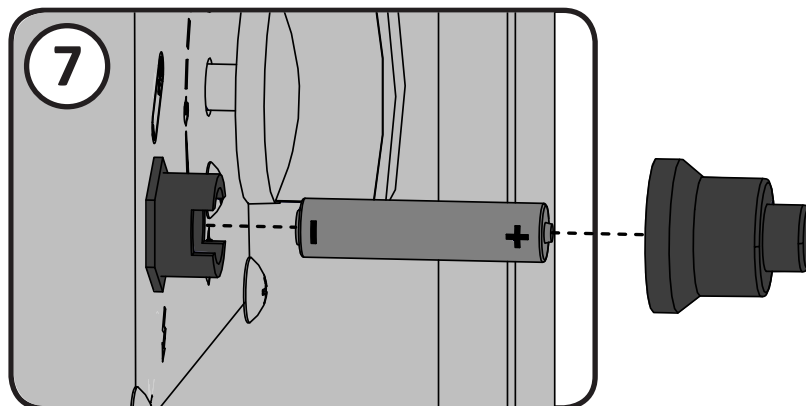
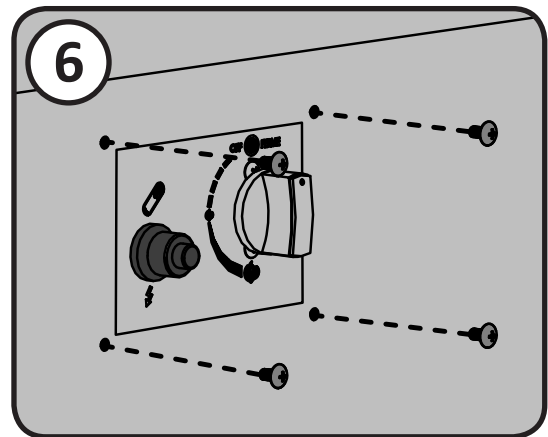
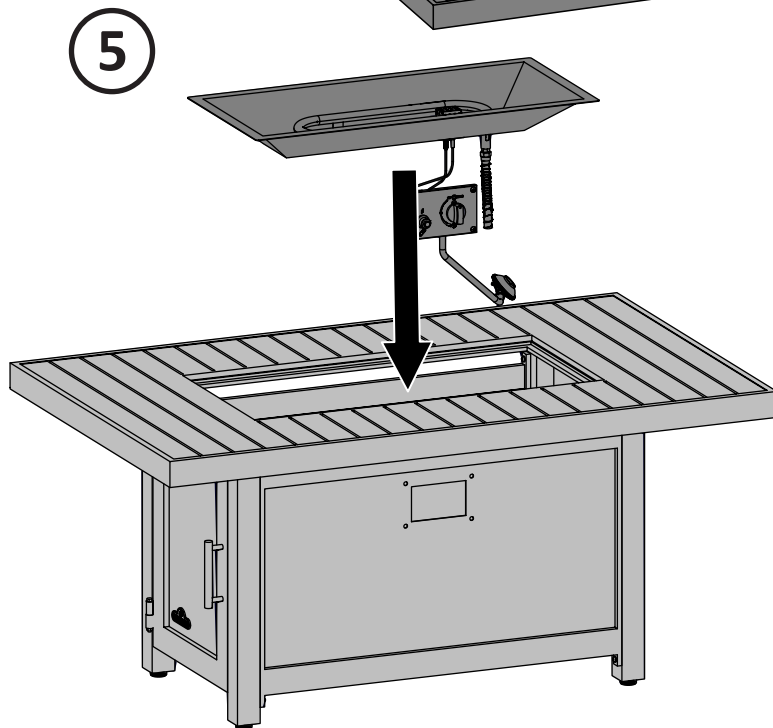
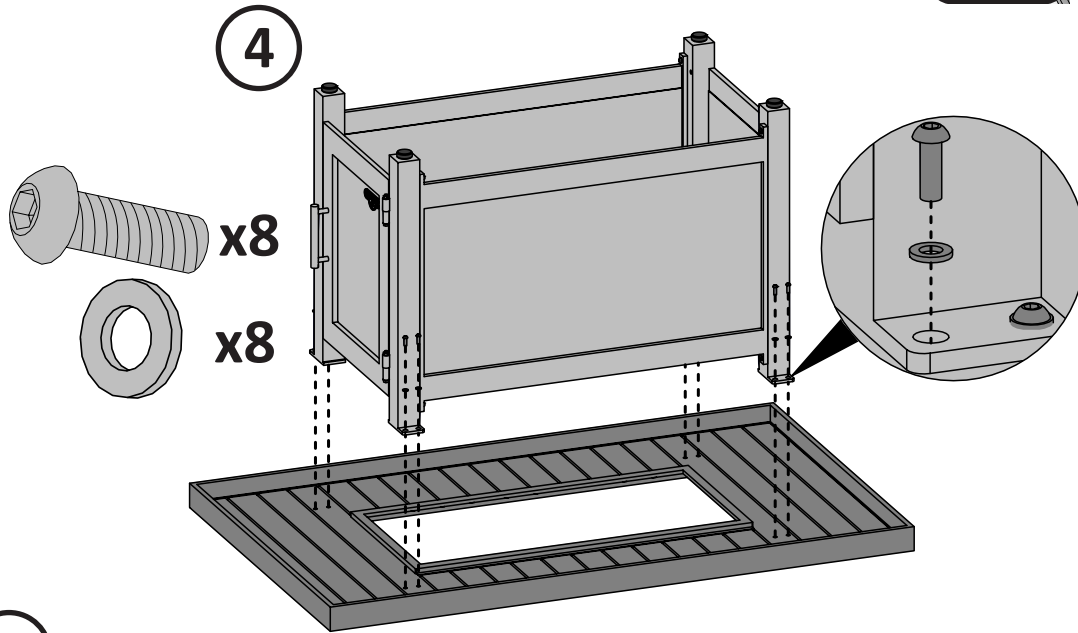


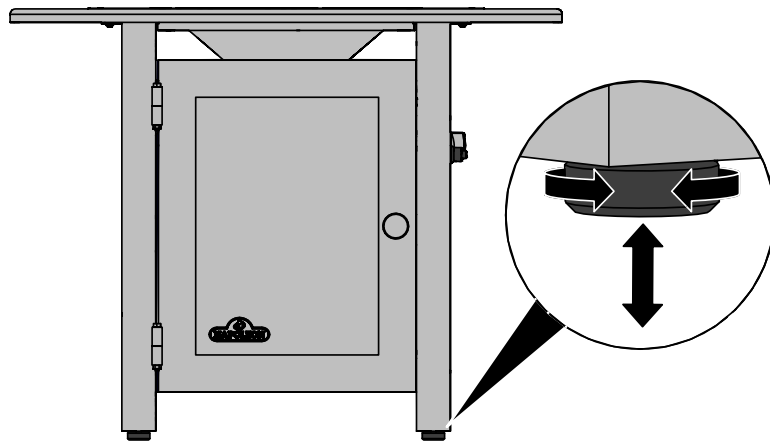
3



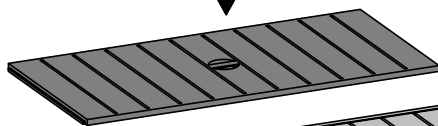
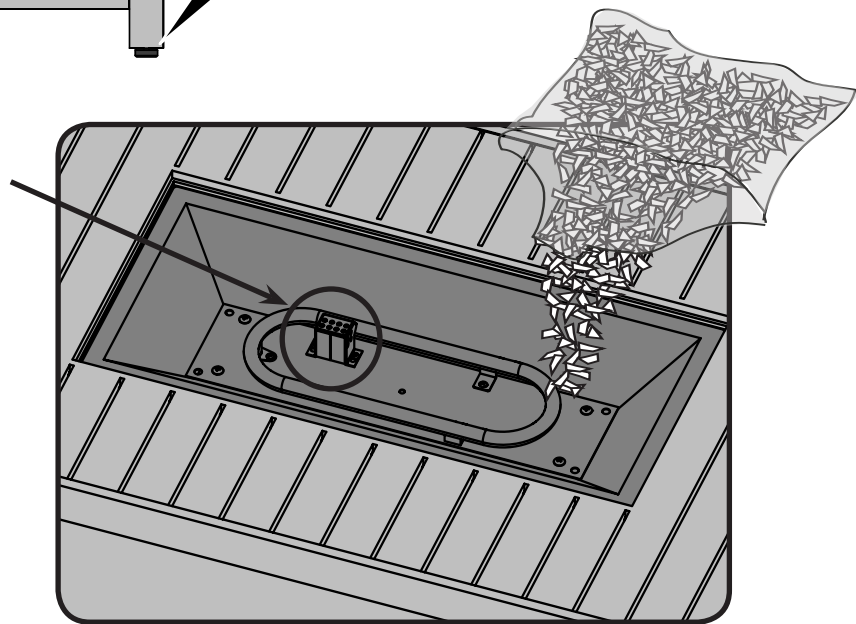


DE

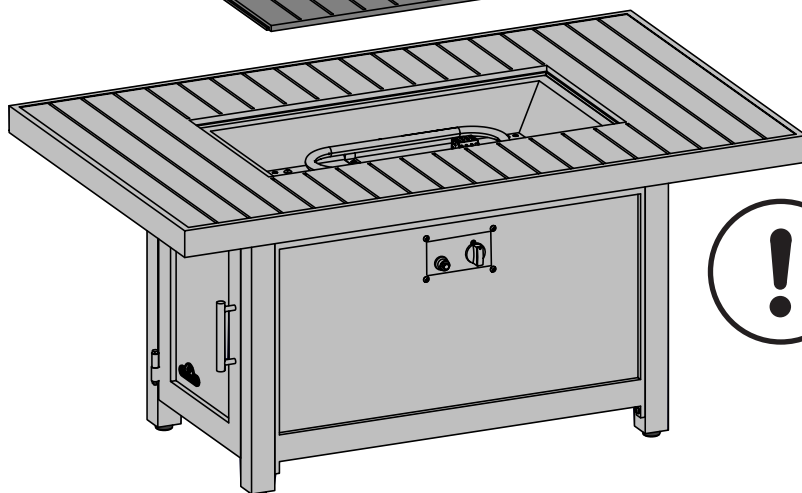




Stellen Sie sicher, dass kein Glasstück die Öffnung der Zündeinheit blockiert, dies könnte Schwierigkeiten bei der Zündung verursachen.

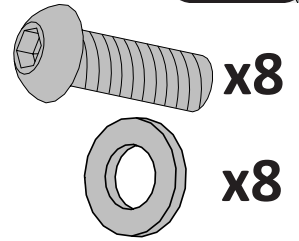


ACHTUNG! Der Deckel muss abgenommen werden, wenn der Brenner in Betrieb ist. Nach der Inbetriebnahme warten Sie bis die Einheit abgekühlt ist, bevor Sie die Abdeckung wieder aufsetzen.

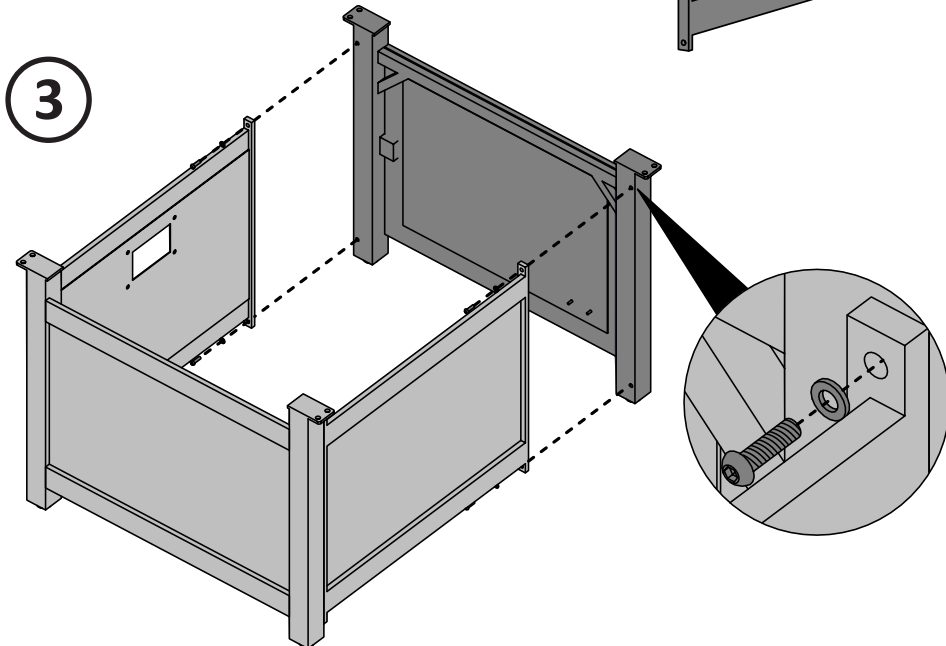
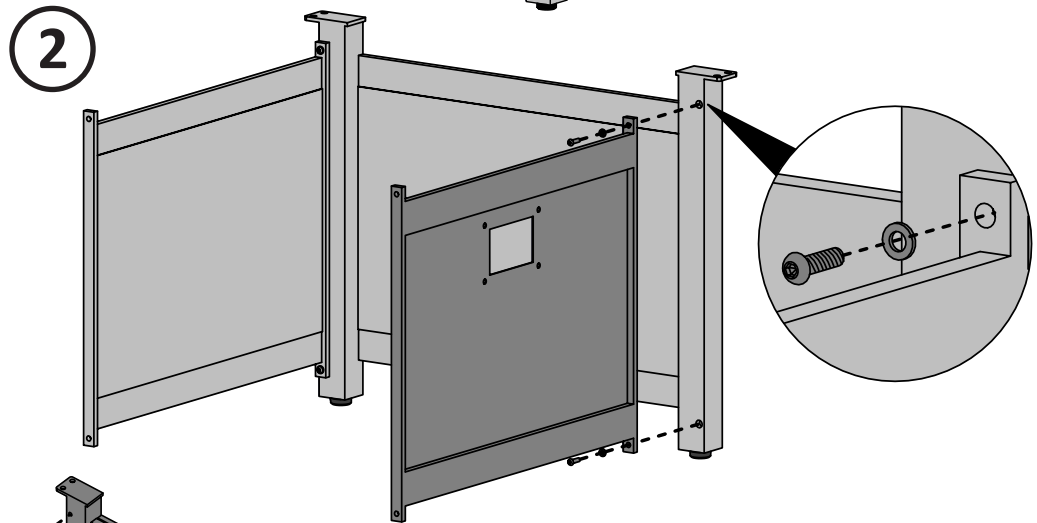
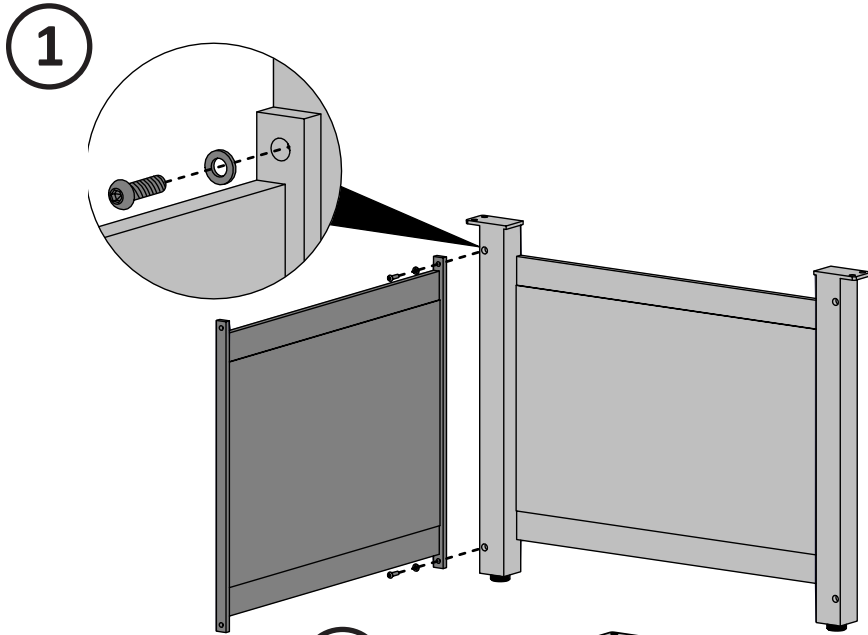


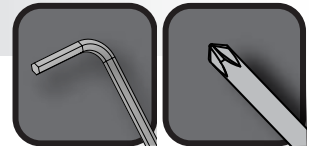
Die Oberfläche des Tisches wurde per Hand bemalt. Variationen in der Strichführung erhöhen die natürliche Schönheit des Produkts.

HAMP2



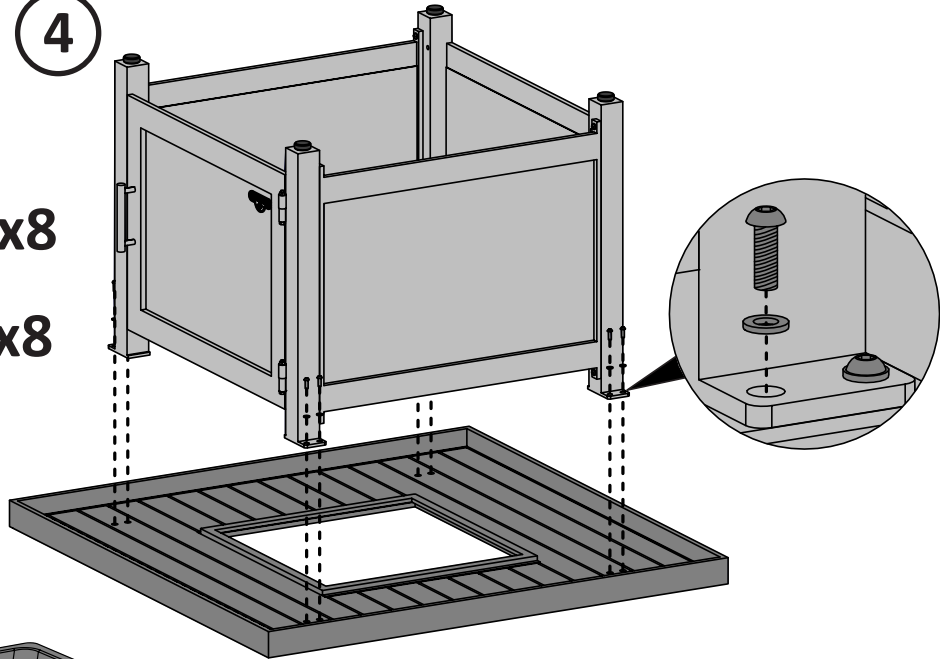
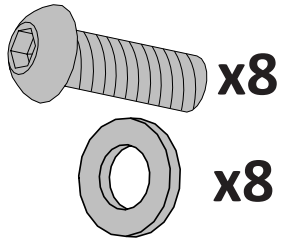
DE



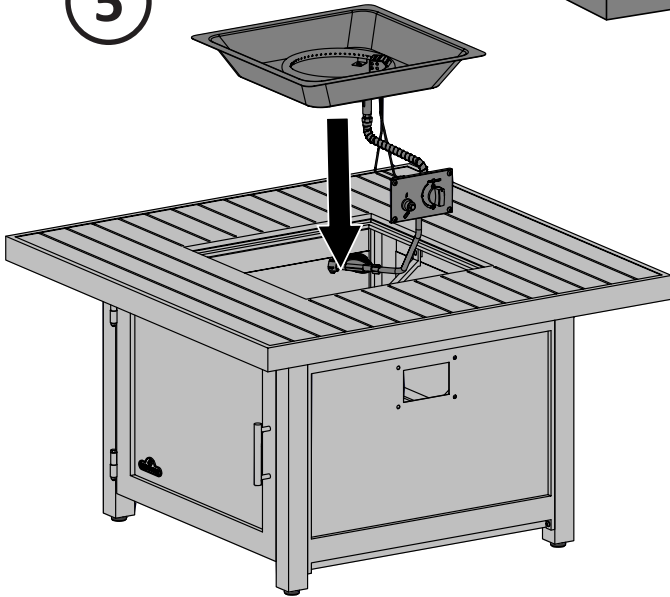


DE

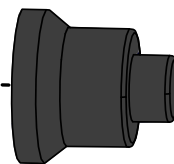
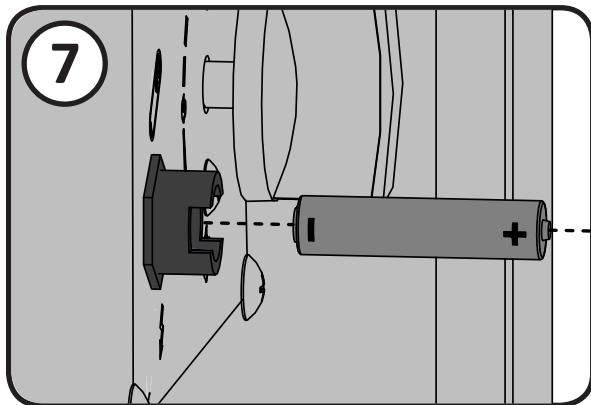
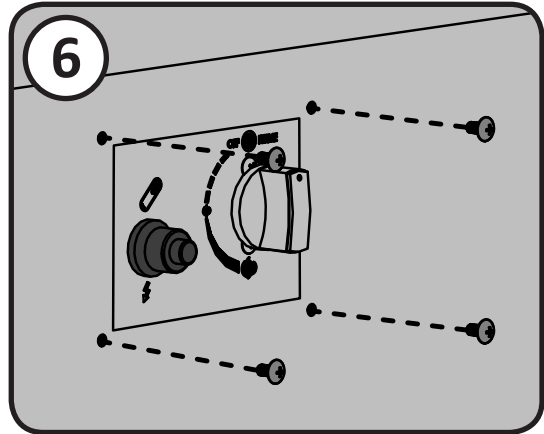
4

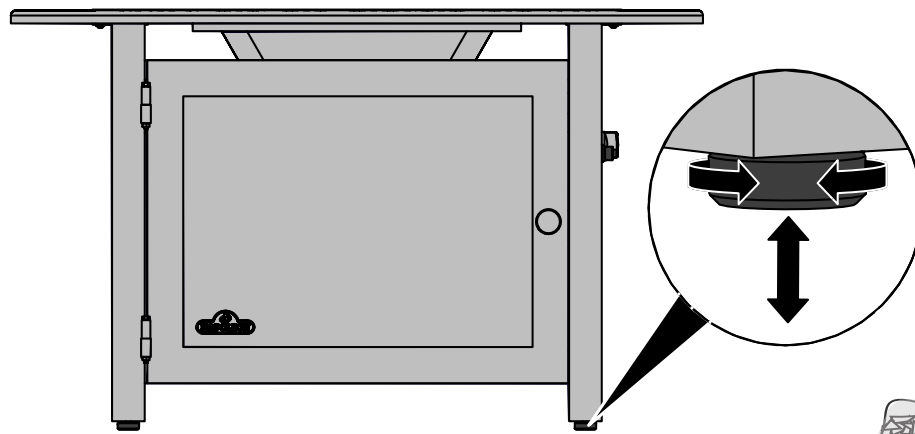


5

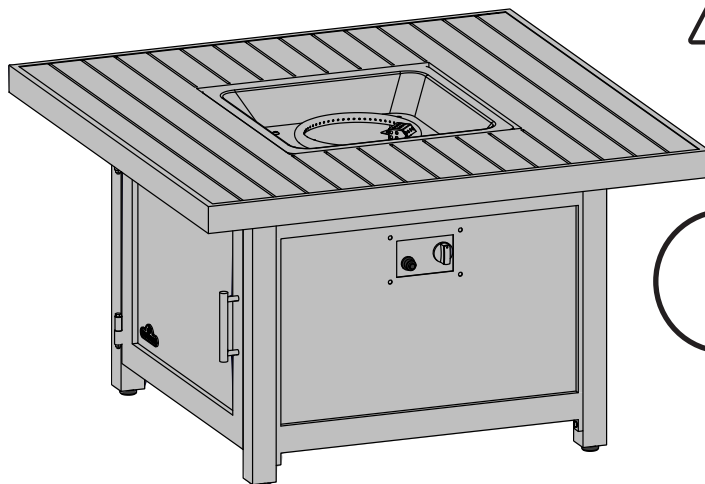
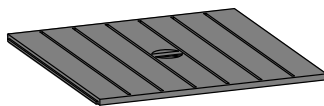
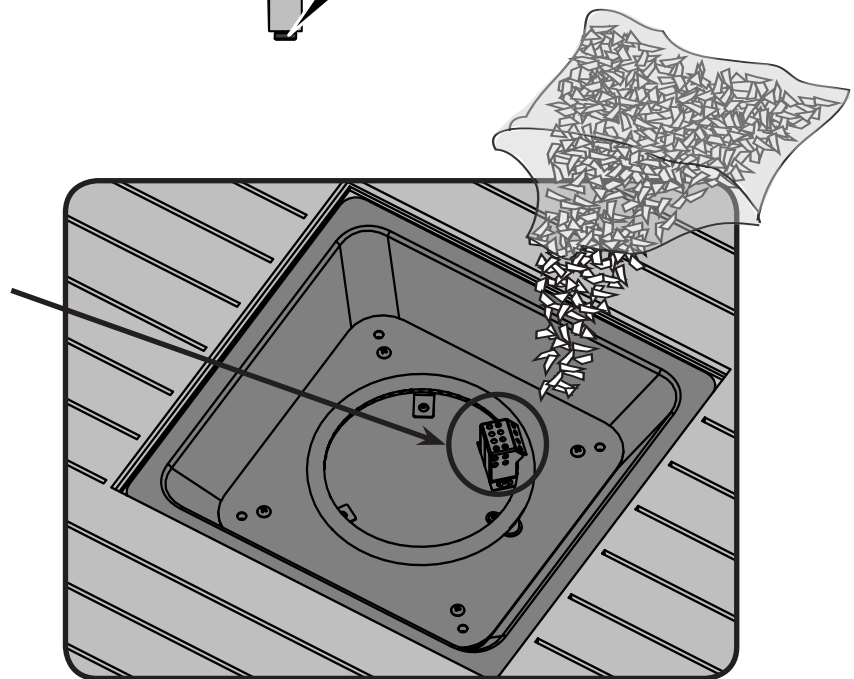


N570-0094 (M5 x 10mm)





Stellen Sie sicher, dass kein Glasstück die Öffnung der Zündeinheit blockiert, dies könnte Schwierigkeiten bei der Zündung verursachen.



ACHTUNG! Der Deckel muss abgenommen werden, wenn der Brenner in Betrieb ist. Nach der Inbetriebnahme warten Sie bis die Einheit abgekühlt ist, bevor Sie die Abdeckung wieder aufsetzen.



Die Oberfläche des Tisches wurde per Hand bemalt. Variationen in der Strichführung erhöhen die natürliche Schönheit des Produkts.

PARTS LIST HAMP1

Item	Part #	Description	x
1	N100-0055	burner	x
2	N500-0064	burner plate	x
3	N710-0099	burner pan	x
4	N585-0109	burner shield	x
5	N570-0094	screw M5 x 10mm	x
6	Z570-0032	screw M4 x 10mm	x
7	Z570-0024	screw M6 x 12mm	x
8	N010-0899	valve assembly	p
9	N357-0013	igniter	x
10	N500-0061	control panel	x
11	N380-0033	control knob	x
12	N530-0032	regulator -Germany	p
	N530-0033	regulator -Holland	p
	N530-0034	regulator -Spain/Finland/Norway/Denmark	p
	N530-0035	regulator -Sweden	p
	N530-0036	regulator -Italy	p
	N530-0037	regulator -United Kingdom	p
	N530-0038	regulator -France	p
	N530-0039	regulator -Hungary	p
	N530-0042	regulator -Switzerland	p
	N530-0043	regulator -Russia	p
	N530-0044	regulator -Poland	p
	N530-0046	regulator -Czech Republic	p
13	N720-0076	flex connector	x
14	N500-0062	bracket electrode	x
15	N240-0039	electrode	x
16	N680-0001-SER	thermocouple	x
17	N735-0024	washer M8	x
18	N010-0910	electrode assembly	x
19	N455-0088	orifice #53 (50 mbar)	p
	N455-0089	orifice #51 (30 mbar)	p
20	N255-0065	fitting	x
21	N335-0094-GY1TX	lid	x
22	N705-0043-GY1TX	table top	x
23	N475-0409-GY1TX	rear panel	x
24	N010-0900-GY1TX	frame assembly	x
25	N475-0408-GY1TX	right panel	x
26	N475-0407-GY1TX	left panel	x
27	N225-0063-GY1TX	door	x
28	N385-0307-SER	napoleon logo	x
29	N325-0097	handle door	x
30	N570-0119	leveling foot	x
	N020-0175	fastener kit	x

DE

PARTS LIST HAMP1

Item	Part #	Description	x
	N300-0002	glass embers topaz (2per)	x
	N370-0778	NG conversion kit	ac
	mega	glass embers - amber 1lb	ac
	megb	glass embers - blue 1lb	ac
	megk	glass embers - black 1lb	ac
	megr	glass embers - red 1lb	ac
	mkgc	glass embers - clear 5lb	ac
	mkga	glass embers - amber 5lb	ac
	mkgc	glass embers - clear 5lb	ac
	mkgb	glass embers - blue 5lb	ac
	mkgr	glass embers - red 5lb	ac
	68853	optional table cover	ac

x - standard

ac -Zubehör

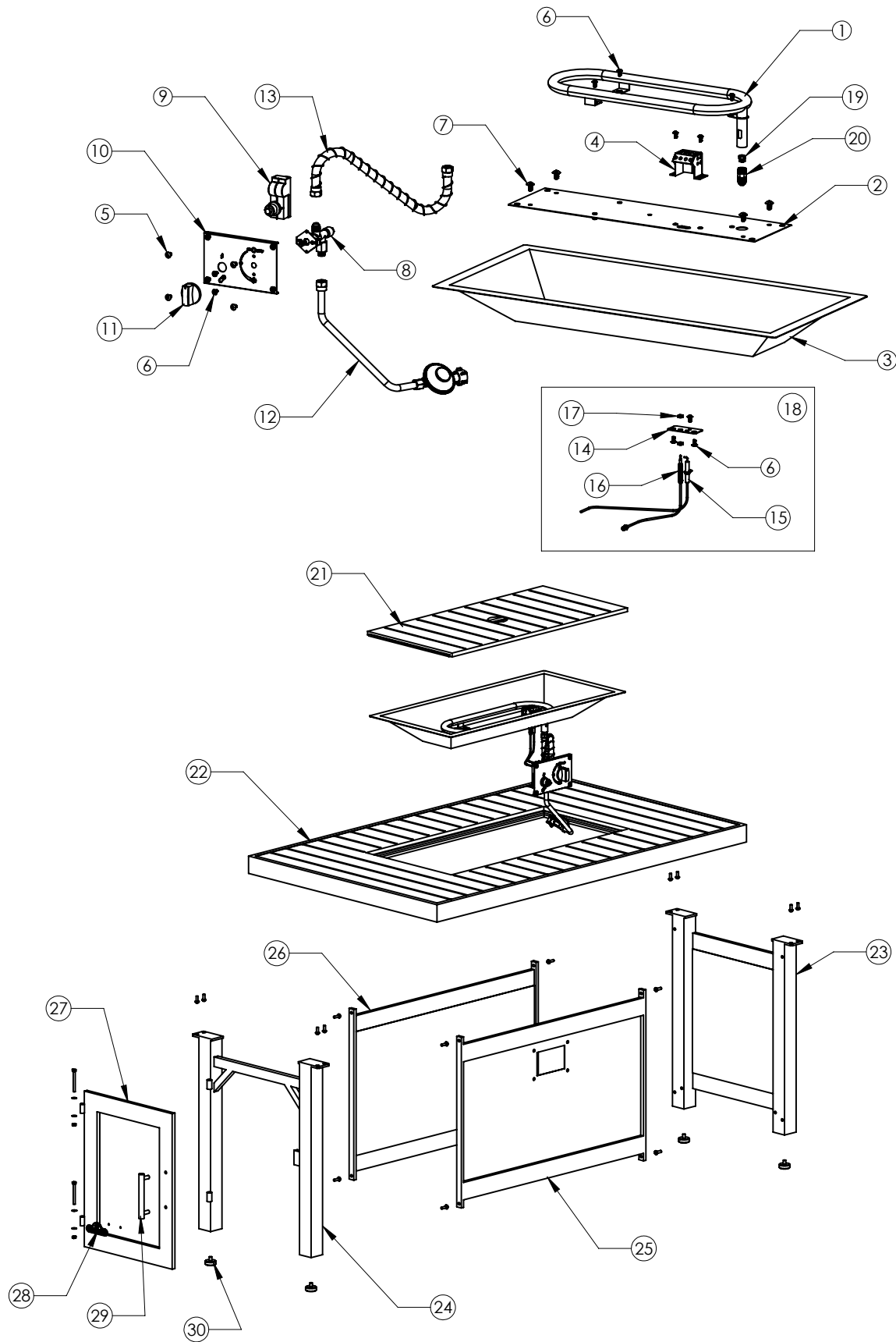
n - Erdgas

p - Propan

DE

PARTS DIAGRAM HAMP1

DE



PARTS LIST HAMP2

Item	Part #	Description	x
1	N100-0054	burner	x
2	N500-0063	burner plate	x
3	N710-0098	burner pan	x
4	N585-0109	burner shield	x
5	N570-0094	screw M5 x 10mm	x
6	Z570-0032	screw M4 x 10mm	x
7	Z570-0024	screw M6 x 12mm	x
8	N010-0899	valve assembly	p
9	N357-0013	igniter	x
10	N500-0061	control panel	x
11	N380-0033	control knob	x
12	N530-0032	regulator -Germany	p
	N530-0033	regulator -Holland	p
	N530-0034	regulator -Spain/Finland/Norway/Denmark	p
	N530-0035	regulator -Sweden	p
	N530-0036	regulator -Italy	p
	N530-0037	regulator -United Kingdom	p
	N530-0038	regulator -France	p
	N530-0039	regulator -Hungary	p
	N530-0042	regulator -Switzerland	p
	N530-0043	regulator -Russia	p
	N530-0044	regulator -Poland	p
	N530-0046	regulator -Czech Republic	p
13	N720-0076	flex connector	x
14	N500-0062	bracket electrode	x
15	N240-0038	electrode	x
16	N680-0001-SER	thermocouple	x
17	N735-0024	washer M8	x
18	N010-0898	electrode assembly	x
19	N455-0088	orifice #53 (50 mbar)	p
	N455-0089	orifice #51 (30 mbar)	p
20	N255-0065	fitting	x
21	N335-0095-GY1TX	lid	x
22	N705-0044-GY1TX	table top	x
23	N475-0412-GY1TX	rear panel	x
24	N010-0901-GY1TX	frame assembly	x
25	N475-0411-GY1TX	right panel	x
26	N475-0410-GY1TX	left panel	x
27	N225-0064-GY1TX	door	x
28	N385-0307-SER	napoleon logo	x
29	N325-0097	handle door	x
30	N570-0119	leveling foot	x
	N020-0175	fastener kit	x

DE

PARTS LIST HAMP2

Item	Part #	Description	x
	N300-0002	glass embers topaz (2per)	x
	N370-0778	NG conversion kit	ac
	mega	glass embers - amber 1lb	ac
	megb	glass embers - blue 1lb	ac
	megk	glass embers - black 1lb	ac
	megr	glass embers - red 1lb	ac
	mkga	glass embers - amber 5lb	ac
	mkgc	glass embers - clear 5lb	ac
	mkgk	glass embers - black 5lb	ac
	mkgb	glass embers - blue 5lb	ac
	mkgr	glass embers - red 5lb	ac
	68854	optional table cover	ac

x - standard

ac -Zubehör

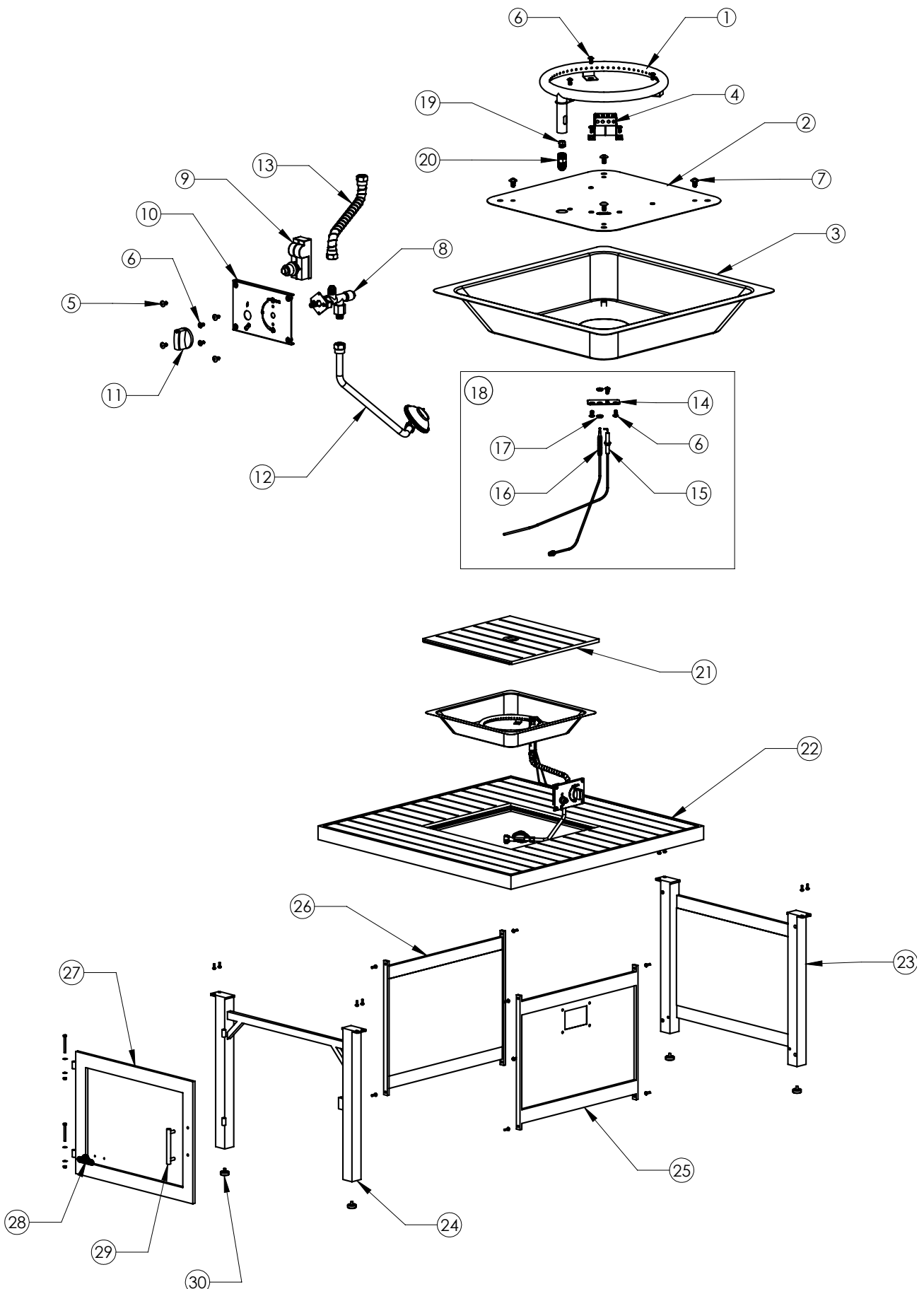
n - Erdgas

p - Propan

DE

PARTS DIAGRAM HAMP2

DE



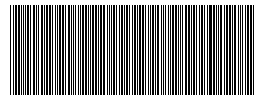
DE

Notes

DE



Napoleon products are protected by one or more U.S. and Canadian and/or foreign patents or patents pending.



N415-0388CE-GB-DE