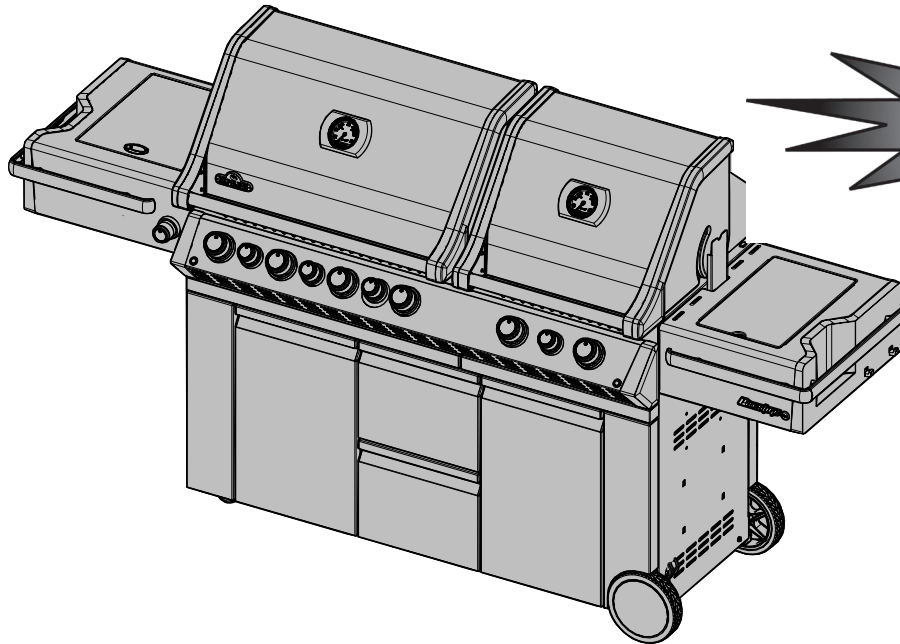


This gas grill must be used only outdoors in a well-ventilated space and must not be used inside a building, garage, screened-in porch, gazebo or any other enclosed area.



**PRO825**

EN

DE  
PG.19

  
PG.37



**DANGER**

**IF YOU SMELL GAS:**

- Shut off gas to the appliance.
- Extinguish any open flame.
- Open lid.
- If odor continues, keep away from the appliance and immediately call your gas supplier or fire department.



**WARNING**

Do not try to light this appliance without reading the "LIGHTING" instructions section of this manual.

Do not store or use gasoline or other flammable liquids or vapors in the vicinity of this or any other appliance. An L.P. cylinder not connected for use must not be stored in the vicinity of this or any other appliance. If the information in these instructions is not followed exactly, a fire or explosion may result, causing property damage, personal injury or death.

Adults and especially children should be alerted to the hazards of high surface temperatures. Young children should be supervised near the gas grill.

**Notice to Installer: Leave these instructions with the grill owner for future reference.**



N415-0306CE-GB-DE FEB 20.15

Napoleon Group of Companies  
214 Bayview Dr., Barrie, Ontario, Canada L4N 4Y8  
Phone: 1-705-726-4278 Fax: (705)-725-2564

[www.napoleongrills.com](http://www.napoleongrills.com)

Customer Solutions: 1-866-820-8686 or [grills@napoleonproducts.com](mailto:grills@napoleonproducts.com)





All NAPOLEON gas grills are manufactured under the strict Standard of the world recognized ISO 9001-2008 Quality Assurance Certificate.

NAPOLEON products are designed with superior components and materials, and are assembled by trained craftsmen who take great pride in their work. The burner and valve assembly are leak tested and test-fired at a quality test station. This grill has been thoroughly inspected by a qualified technician before packaging and shipping to ensure that you, the customer, receive the quality product you expect from NAPOLEON.



## Napoleon Gas Grill President's Limited Lifetime Warranty

NAPOLEON warrants that components in your new NAPOLEON product will be free from defects in material and workmanship from the date of purchase, for the following period:

Aluminum castings / stainless steel base	Lifetime
Stainless steel lid	Lifetime
Porcelain enamel lid	Lifetime
Stainless steel cooking grids	Lifetime
Stainless steel tube burners	10 years <sup>plus5</sup>
Stainless steel sear plates	5 years <sup>plus5</sup>
Porcelain-enameled cast iron cooking grids	5 years <sup>plus5</sup>
Stainless steel infrared rotisserie burner	5 years
Ceramic infrared rotisserie burner (excluding screen)	3 years
Ceramic infrared bottom or side burners (excluding screen)	2 years
All other parts	2 years

<sup>plus5</sup> indicates a period of extended warranty coverage whereby the replacement part will be made available to the consumer for an additional 5 years at 50% of the current retail price.

## Conditions and Limitations

NAPOLEON warrants its products against manufacturing defects to the original purchaser only, provided that the purchase was made through an authorized NAPOLEON dealer and is subject to the following conditions and limitations:

This factory warranty is non-transferable and may not be extended what-so-ever by any of our representatives.

The gas grill must be installed by a licensed, authorized service technician or contractor. Installation must be done in accordance with the installation instructions included with the product and all local and national building and fire codes.

This limited warranty does not cover damages caused by misuse, lack of maintenance, grease fires, hostile environments, accident, alterations, abuse or neglect and parts installed from other manufacturers will nullify this warranty. Discoloration to plastic parts from chemical cleaners or UV exposure is not covered by this warranty.

This limited warranty further does not cover any scratches, dents, painted finishes, corrosion or discoloring by heat, abrasive and chemical cleaners, nor chipping on porcelain enamel parts, nor any components used in the installation of the gas grill.

Should deterioration of parts occur to the degree of non-performance (rusted through or burnt through) within the duration of the warranted coverage, a replacement part will be provided.

After the first year, with respect to this President's Limited Lifetime Warranty NAPOLEON may, at its discretion, fully discharge all obligations with respect to this warranty by refunding to the original warranted purchaser the wholesale price of any warranted but defective part(s).

NAPOLEON will not be responsible for the installation, labor or any other costs or expenses related to the re-installation of a warranted part, and such expenses are not covered by this warranty.

Notwithstanding any provision contained in this President's Limited Lifetime Warranty NAPOLEON's responsibility under this warranty is defined as above and it shall not in any event extend to any incidental, consequential, or indirect damages.

This warranty defines the obligation and liability of NAPOLEON with respect to the NAPOLEON gas grill and any other warranties expressed or implied with respect to this product, its components or accessories are excluded.

NAPOLEON neither assumes, nor authorizes any third party to assume, on its behalf, any other liabilities with respect to the sale of this product.

NAPOLEON will not be responsible for: over firing, blow outs caused by environmental conditions such as strong winds, or inadequate ventilation,

Any damages to the gas grill due to weather damage, hail, rough handling, damaging chemicals or cleaners will not be the responsibility of NAPOLEON.

The bill of sale or copy will be required together with a serial number and a model number when making any warranty claims from NAPOLEON.

NAPOLEON reserves the right to have its representative inspect any product or part prior to honoring any warranty claim.

NAPOLEON shall not be liable for any transportation charges, labor costs, or export duties.

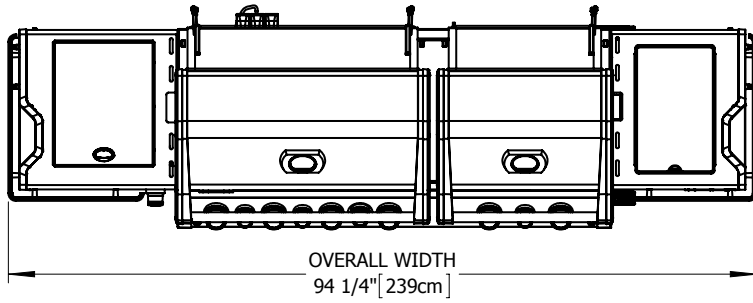


**WARNING!** Failure to follow these instructions could result in property damage, personal injury or death. Read and follow all warnings and instructions in this manual prior to operating grill.

## Safe Operating Practices

- This gas grill must be assembled exactly according to the instructions in the manual. If the grill was store assembled, you must review the assembly instructions to confirm correct assembly and perform the required leak tests before operating the grill.
- Read the entire instruction manual before operating the gas grill.
- Under no circumstance should this gas grill be modified.
- Follow lighting instructions carefully when operating grill.
- Gas must be turned off at the propane cylinder when the gas grill is not in use.
- Keep children and pets away from hot grill, DO NOT allow children to climb inside cabinet.
- Children should be supervised to ensure that they do not play with the appliance.
- This appliance is not intended for use by persons (including children) with reduced physical, sensory or mental capabilities, or lack of experience and knowledge, unless they have been given supervision or instruction concerning use of the appliance by a person responsible for their safety.
- Do not leave the grill unattended while in use.
- Do not move grill when hot or operating.
- This grill is for household use only.
- This gas grill must not be installed in or on recreational vehicles and/or boats.
- This gas grill must only be stored outdoors in a well-ventilated area and must not be used inside a building, garage, screened -in porch or any other enclosed area.
- Maintain proper clearance to combustibles (27" (685mm) to rear of unit 7" (178mm) to sides). Additional clearance is recommended near vinyl siding or panes of glass.
- At all times keep the ventilation openings of the cylinder enclosure free and clear from debris.
- Do not operate unit under any combustible construction.
- Do not locate in windy settings. High winds adversely affect the cooking performance of the gas grill.
- When the gas grill is stored indoors, the propane cylinder must be disconnected from the grill and stored outdoors in a well-ventilated area, disconnected cylinders must not be stored in a building, garage or other enclosed area.
- Inspect the gas line hose before each use. If there is evidence of excessive abrasion or wear, it must be replaced before using the gas grill, with a replacement hose assembly specified by the grill manufacturer.
- Never store a spare LP gas cylinder under or near this grill.
- Never fill the cylinder beyond 80 % full.
- When changing out the gas cylinder, ensure there are no nearby sources of ignition. Do not smoke.
- Leak test all connections before initial use, even if the grill was purchased fully assembled, annually or whenever any gas component has been replaced.
- Never use natural gas in a unit designed for liquid propane gas.
- Never use lighter fluid in a gas grill.
- Use charcoal briquettes only with a Napoleon charcoal tray designed for this unit.
- Burner controls must be off when turning supply cylinder on.
- Do not light burners with lid closed.
- Do not operate rear burner with main burners operating.
- The lid is to be closed during the preheat period.
- Do not route hose underneath drip pan-proper hose clearance to bottom of unit must be maintained.
- Clean grease tray and sear plates regularly to avoid build-up, which may lead to grease fires.
- Remove warming rack before lighting rear burner. The extreme heat will damage the warming rack.
- Ensure sear plates are positioned properly according to sear plate installation instructions.
- Do not use side shelves to store lighters, matches or any other combustibles.
- Keep gas line away from heated surfaces
- Keep any electrical supply cord away from water or heated surfaces.
- Inspect infrared burner venturi tube for spider webs and other obstructions periodically. Clean the tubes completely if you find any such obstructions.
- The outdoor cooking gas grill and its individual shutoff valve must be disconnected from the gas supply piping system during any pressure testing of that system at test pressures in excess of 0.5psi (3.5kPa).
- The outdoor cooking gas grill must be isolated from the gas supply piping system by closing its individual manual shutoff valve during any pressure testing of the gas supply piping system at test pressures equal to or less than 1/2 psi (3.5 kPa).

# DIMENSIONS



## PRO825 GRILL

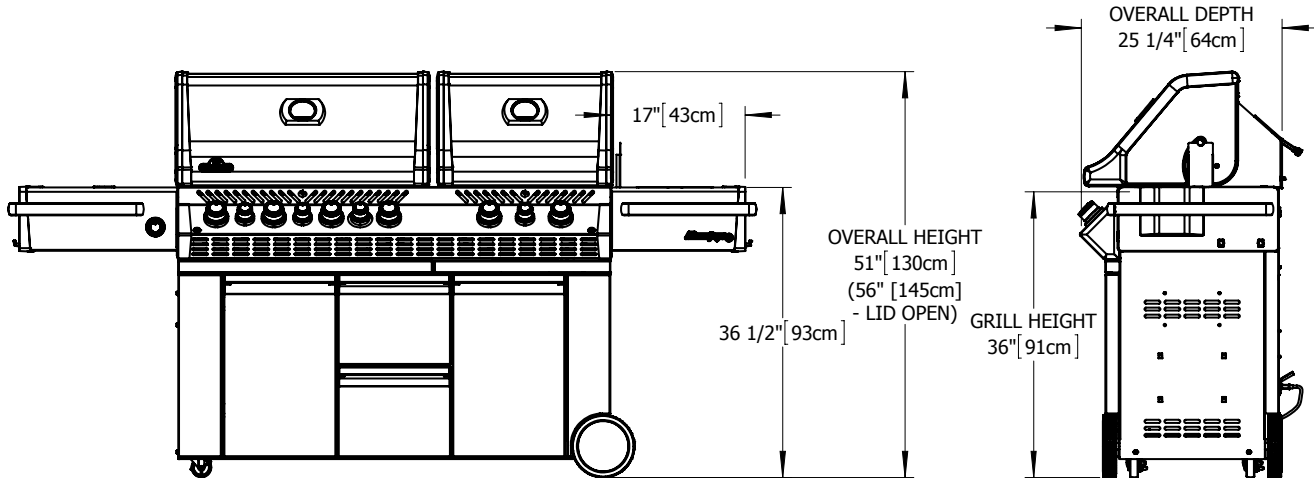
GRILL SIZE: 500 in<sup>2</sup> (3265 cm<sup>2</sup>)

325 in<sup>2</sup> (2160 cm<sup>2</sup>)

WARMING RACK SIZE: 255 in<sup>2</sup> (1635 cm<sup>2</sup>)

165 in<sup>2</sup> (1080 cm<sup>2</sup>)

ALL DIMENSIONS ARE APPROXIMATE





## Correct Disposal Of This Product



This marking indicates that this product should not be disposed with other household wastes throughout the EU. To prevent possible harm to the environment or human health from uncontrolled waste disposal, recycle it responsibly to promote the sustainable reuse of material resources. To return your used device, please use the return and collection systems or contact the retailer where the product was purchased. They can take this product for environmental safe recycling.

## Gas Cylinder

Use only gas cylinders, which meet national and regional codes. The minimum cylinder size for butane units is 13kg, and for propane units is 6kg. Ensure that the cylinder can provide enough fuel to operate the appliance. If in doubt, check with your local gas supplier.

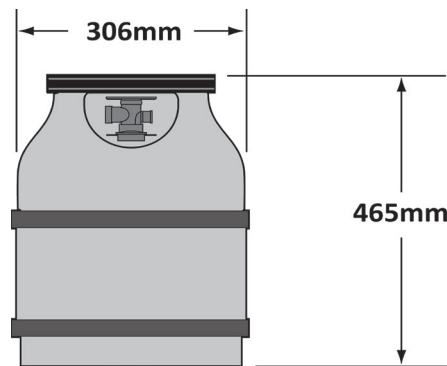
- Use caution when handling the cylinder valve.
- Never connect a cylinder, which does not meet local codes.
- All cylinders 7kg or larger must be placed outside the enclosure (under the right side shelf) on level ground. Cylinders smaller than 7kg (maximum size 465mm high by 306mm wide) may be placed inside the enclosure, on the right side of the bottom shelf. Only cylinders connected to the appliance may be stored in the enclosure, or close to the appliance. Spare cylinders must not be stored in the enclosure, or in close proximity of an operating unit. Cylinders must not be exposed to extreme heat or direct sunlight.



**WARNING!** Ensure that the hose is routed to maintain proper clearance to the underside of the unit. Hoses that contact high temperature surfaces may melt and leak, causing a fire.

**Cylinder Connection:** Ensure that the gas regulator hose is kink free. Remove the cap or plug from the cylinder fuel valve. Tighten regulator to cylinder valve. Leak test all joints prior to using the barbecue. A leak test must be performed annually, and each time a cylinder is hooked up, or if a part of the gas system is replaced.

### Example Cylinder



## Gas Hose

- If the hose and regulator are not included by the manufacturer, then only hoses and regulators which meet national and regional codes are to be used.
- Ensure that the hose does not come into contact with grease, other hot drippings, or any hot surfaces on the appliance.
- Check hose regularly. In the case of rips, melting or wear, replace hose before using the appliance.
- The recommended hose length is 0.9m. The hose must not be longer than 1.5m.
- Ensure that the hose is twist and kink free when installed.
- Replace the hose before expiry date printed on the hose.



### WARNING!

- Do not route hose underneath drip pan.
- Do not route hose between space in bottom shelf and back panel.
- Do not route hose over top of back panel.
- Ensure all connections are tightened using two wrenches. Do not use Teflon tape or pipe dope on any hose connection.
- Ensure the hose does not contact any high temperature surfaces, or it may melt and leak causing a fire.
- Do not use enclosure to store excess hose, as there is a greater chance of the hose contacting a hot surface, it may melt and leak causing a fire.

## Technical Data

The following table lists input values for the appliance.

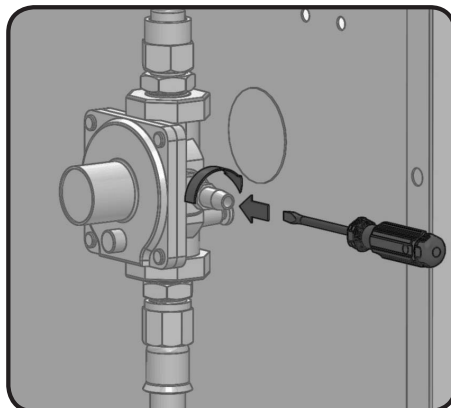
Burner	Orifice Size	(Gross) Heat Input (Total)	Gas Usage (Total)
	I	I	I
Main (Flame)	#60	15.2 kW	1120 g/hr
Main (Infra Red)	#60	7.6 kW	560 g/hr
Rear	1.25mm	5.5 kW	400 g/hr
Side	#76 / 1.1mm	5.3 kW	291 g/hr
Smoker	#67	2.5 kW	182 g/hr
Warming	#67	2.5 kW	182 g/hr

Certified Gases / Pressures - Check rating plate to ensure that it corresponds with following list.

Gas Category	I <sub>3B/P(30)</sub>	I <sub>3+(28-30/37)</sub>	I <sub>3B/P(37)</sub>	I <sub>3B/P(50)</sub>
Orifice Sizes(see above)	I	I	I	I
Gases / Pressures	Butane and Propane at 30mbar	Butane 28-30mbar Propane 37mbar	Butane and Propane at 37mbar	Butane and Propane at 50mbar
Countries	BE, BG, CY, DK, EE, FI, FR, GB, HR, HU, IS, IT, LT, LU, MT, NL, NO, RO, SE, SI, SK, TR	BE, CH, CY, CZ, ES, FR, GB, GR, IE, IT, LT, LU, LV, PT, SK, SI	PL	AT, CH, DE, SK

Do not tamper with or modify regulator. Use only regulator which supply the pressure listed in the table above. The grill is also equipped with an internal regulator. This internal regulator has an outlet pressure of 24.5 mbar for propane/butane and must not be modified or adjusted. For replacement, use only the regulator specified by the manufacturer.

This unit includes an internal regulator which stabilizes the gas pressure and improves grill performance. This regulator cannot be adjusted. There is a pressure tap located on the side of the regulator. It can be used by a qualified service person when servicing the grill to determine if the regulator is functioning properly. The screw within the pressure tap must always be kept tight, except when performing a pressure test on the regulator (qualified service personnel only).



### Electrical Precautions



**WARNING!** Failure to follow these instructions could result in property damage, personal injury or death.

- 230 - 240V / AC - 50HZ - 1.2A.
- To protect against electric shock, do not immerse cord or plugs in water or other liquid.
- Unplug from the outlet when not in use and before cleaning. Allow to cool before putting on or taking off parts.
- Do not operate any outdoor cooking gas appliance with a damaged cord, plug, or after the appliance malfunctions or has been damaged in any manner. Contact the manufacturer for repair.
- If the supply cord is damaged, it must be replaced by the manufacturer or its service agent or a similarly qualified person in order to avoid a hazard.
- Do not let the cord hang over the edge of a table or touch hot surfaces.
- Do not use an outdoor cooking gas appliance for purposes other than intended.
- When connecting, first connect plug to the outdoor cooking gas appliance then plug appliance into the outlet.
- Use only a Ground Fault Interrupter (GFI) protected circuit with this outdoor cooking gas appliance.
- Never remove the grounding plug or use with an adapter of 2 prongs.
- Use only extension cords with a 3 prong grounding plug, rated for the power of the equipment, and approved for outdoor use with a W-A marking.

## Leak Testing Instructions



**WARNING!** A leak test must be performed annually and each time a cylinder is hooked up or if a part of the gas system is replaced.



**WARNING!** Never use an open flame to check for gas leaks. Be certain no sparks or open flames are in the area while you check for leaks. Sparks or open flames will result in a fire or explosion, damage to property, serious bodily injury, or death.

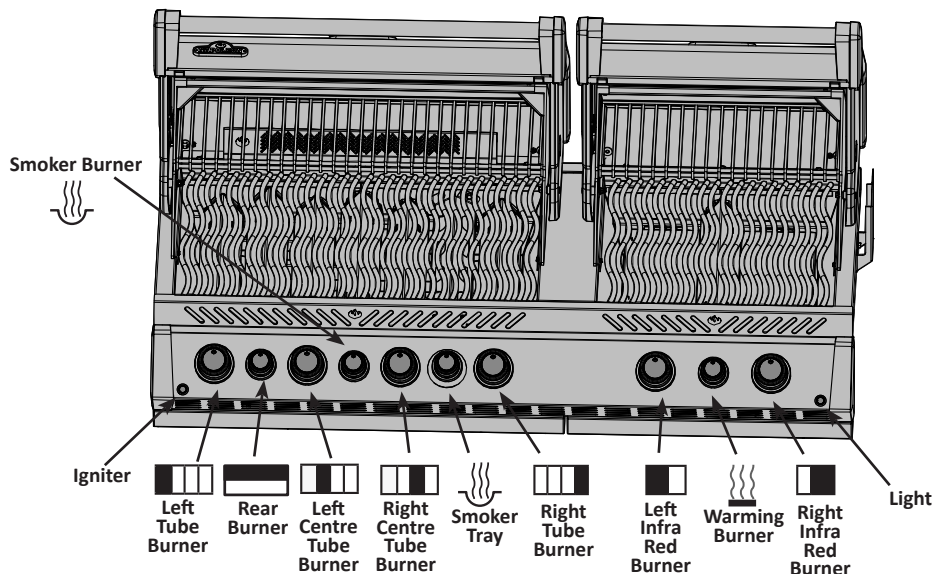


**Leak testing:** This must be done before initial use, annually, and whenever any gas components are replaced or serviced. Do not smoke while performing this test, and remove all sources of ignition. See Leak Testing Diagram for areas to check. Turn all burner controls to the off position. Turn gas supply valve on. Brush a half-and-half solution of liquid soap and water onto all joints and connections of the regulator, hose, manifolds and valves.

Bubbles will indicate a gas leak. Either tighten the loose joint or have the part replaced with one recommended by the Napoleon Customer Solutions department and have the grill inspected by a certified gas installer.

If the leak cannot be stopped, immediately shut off the gas supply, disconnect it, and have the grill inspected by a certified gas installer or dealer. Do not use the grill until the leak has been corrected.

# Lighting Instructions



**WARNING!** Open lid

Off Position



**WARNING!** Ensure all burner controls are in the off position. Slowly turn on the gas supply valve.



Main Burner Lighting	Smoker Burner Lighting	Rear Burner Lighting (if equipped)	Side Burner Lighting (if equipped)
1. Open grill lid.	1. Open grill lid.	1. Open grill lid.	1. Open burner cover.
2. Push and turn any main burner knob to the high position. If the pilot lights, continue to push down on the control knob until the burner lights and then release.	2. Push and turn the smoker burner control knob to the high position.	2. Remove warming rack.	2. Push and turn the side burner control knob to the high position.
3. If the pilot does not ignite, then immediately turn the control knob back to the 'off' position and repeat step 2 several times.	3. Push and hold the electronic igniter button until the burner lights, or light with a match.	3. Push and turn the rear burner control to the high position.	3. Push and hold the electronic igniter button until the burner lights, or light with a match.
4. If the pilot and burner will not ignite within 5 seconds, turn the control knob to the 'off' position and wait 5 minutes for any excess gas to dissipate. Either repeat steps 2 and 3 or light with a match.	4. If the burner will not ignite within 5 seconds, turn the control knob to the 'off' position and wait 5 minutes for any excess gas to dissipate. Repeat step 2.	4. Push and hold the electronic igniter button until burner lights, or light by match.	4. If the burner will not ignite within 5 seconds, turn the control knob to the 'off' position and wait 5 minutes for any excess gas to dissipate. Repeat step 2.
5. If lighting the unit with a match, clip the match into the supplied lighting rod. Hold the lit match down through the grill and sear plate while turning the corresponding burner valve to high.		5. If the burner will not ignite within 5 seconds, turn the control knob to the 'off' position and wait 5 minutes for any excess gas to dissipate. Repeat step 3.	



**WARNING!** Do not use rear burner while operating main burner.

# Cooking Instructions

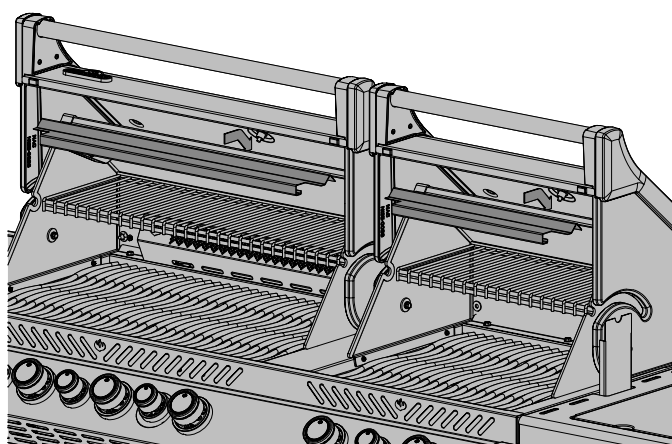
**Initial Lighting:** When lit for the first time, the gas grill emits a slight odor. This is a normal temporary condition caused by the “burn-in” of internal paints and lubricants used in the manufacturing process and does not occur again. Simply run the main burners on high for approximately one-half hour.

Do not locate this gas grill in windy settings. High winds adversely affect the cooking performance of the gas grill. In extreme circumstances when consistent high winds come from directly behind the unit, heat can vent underneath the control panel. This may cause the control panel to become extremely hot to touch and the knobs to deform.

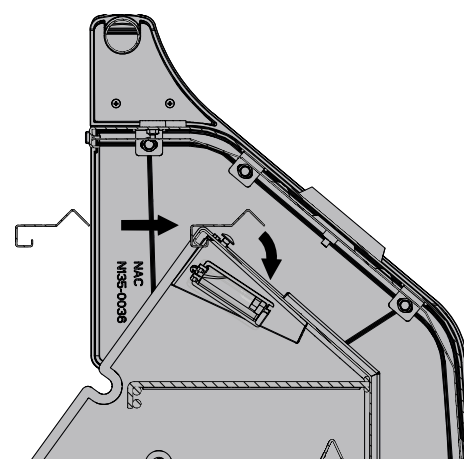
Napoleon offers an optional wind deflector illustrated below. Install this wind deflector to help prevent the possibility of improper heat build up.

**NOTE!** Napoleon is not responsible for: over firing, blow outs caused by environmental conditions such as strong winds, or inadequate ventilation.

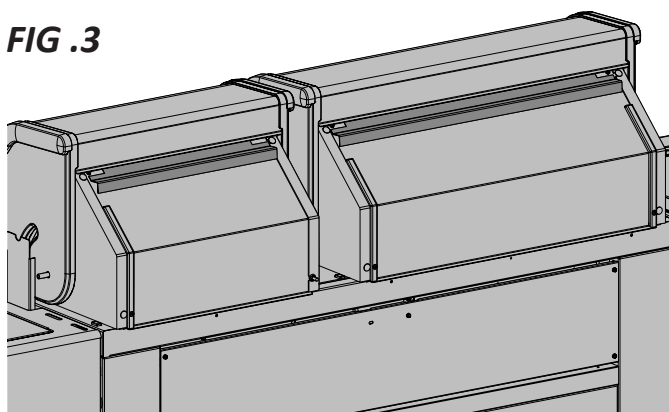
**FIG .1**



**FIG .2**



**FIG .3**



**Main Burner Use:** When searing foods, we recommend preheating the grill by operating all main burners in the high position with the lid closed for approximately 10 minutes. Food cooked for short periods of time (fish, vegetables) can be grilled with the lid open. Cooking with the lid closed will ensure higher, more even temperatures that can reduce cooking time and cook meat more evenly. Food that has a cooking time longer than 30 minutes, such as roasts, can be cooked indirectly (with the burner lit opposite to the food placement). When cooking very lean meats, such as chicken breasts or lean pork, the grids can be oiled before pre-heating to reduce sticking. Cooking meat with a high degree of fat content can create flare-ups. Either trim the fat or reduce temperatures to inhibit this. Should a flare-up occur, move food away from the flames and reduce the heat. Leave the lid open. See Your All Season Grill cookbook by Napoleon for more detailed instructions.

**Infrared Main Burner Use (If Equipped):** Follow the Infrared Burner Ignition procedures and operate on high for 5 minutes with the lid closed or until the ceramic burners glow red. Place food on the grill(s) and cook according to times listed in the Infrared Grilling Chart. Depending upon your taste, continue cooking over infrared burners on high, medium, or low, turning food frequently, or place food over unlit burners, close lid, and allow the oven temperature to slowly finish cooking your food.

**CAUTION!** Due to the intense heat the infrared burners provide, food left unattended over burners will burn quickly. Keep the lid open when cooking with the infrared burners set to high. The intense heat ensures adequate searing temperatures even with the lid open. This also allows observation of the food to prevent burning.

**Direct Cooking:** Place food to be cooked on the grill directly over the heat. This method is generally used for searing or for foods that do not require prolonged cooking times such as hamburgers, steaks, chicken pieces, or vegetables. The food is first seared to trap-in the juices and flavor, and then the temperature is lowered to finish cooking the food to your preference.

**Indirect Cooking:** With one or more burners operating, place food to be cooked on the grill over a burner that is not operating. The heat circulates around the food, cooking slowly and evenly. Cooking with this method is much the same as cooking in your oven and is generally used for larger cuts of meats such as roasts, chickens or turkeys, but can also be used for cooking foods that are prone to flare-ups or for smoking foods. Lower temperatures and slower cooking times result in tender foods.

**Rear Burner Use (If Equipped):** Remove the warming rack prior to use, the extreme heat will damage the warming rack. Cooking grids should also be removed if they interfere with the rotisserie. The rear burner is designed to be used in conjunction with the rotisserie kit available from your dealer. See the rotisserie kit assembly instructions.

To use the counterbalance - remove the rotisserie motor from the gas grill. Place the spit with meat being cooked across the hangers inside the grill. The meat will naturally hang with the heavy side down. Tighten the counterbalance arm and weight so the arm is facing up. Slide the counterweight in or out to balance the load and tighten in place. Re-install the motor and begin cooking. Place a metal dish underneath the meat to collect drippings for basting and naturally delicious gravy. Basting liquid may be added as required. To seal in juices, first operate rear burner on high until brown, then reduce the heat to thoroughly cook foods. Keep the lid closed for best results. Your roasts and fowl will brown perfectly on the outside and stay moist and tender on the inside. For example, a 3 pound chicken on the rotisserie will be done in approximately 1½ hours on medium to high. See 'Your all Season Grill' cookbook by Napoleon for more detailed instructions.



**WARNING!** Barbecue sauce and salt can be corrosive and will cause rapid deterioration of the gas grill components unless cleaned regularly. When finished cooking disassemble rotisserie components, wash thoroughly with warm soapy water and store indoors.

**Smoker Burner:** The smoker burner is designed to be used in conjunction with the smoker tray. Follow the smoker burner lighting instructions and operate the smoker burner on high for 10 minutes, reducing heat as required.

Open the smoker drawer and place a small amount of wood chips into the solid portion of the smoker tray. As it is very easy to "over smoke" use small amounts on your first few attempts. To get a smoke flavour all that is required is a wisp of smoke, smoke billowing out of the unit is not desired and will often leave a sooty deposit on the food which doesn't taste good. Soaking wood before use will slow burning and increase smoke flavour.

Wood for smoking comes in various forms, chunks, chips, dust and pellets, it also comes in many varieties (flavours) from apple to walnut, each transmitting a different taste. Use only wood that you know has not been treated, or better still buy from your authorized Napoleon dealer.





**Flame Side Burner Use (if equipped):** The side burner can be used like any stove top burner, for gravies, soups etc. For best performance, the gas grill should be located with the side burner protected from the wind. The recommended pan diameter is 200 to 250 mm.

**WARNING!** Never grill food directly on the side burner grate. It is designed for use with pots and pans only.

**WARNING!** Do not close the side burner lid while it is operating or hot.

**WARNING!** Do not use side burner to deep fry foods as cooking with oil can create a dangerous situation.

## Infrared Heat

Most people don't realize that the heat source we are most familiar with, our sun, warms the earth using mainly infrared energy. This is a form of electro-magnetic energy with a wavelength just greater than the red end of the visible light spectrum but less than a radio wave. This energy was discovered in 1800 by Sir William Herschel who dispersed sunlight into its component colors using a prism. He showed that most of the heat in the beam fell into the spectral region just beyond the red end of the spectrum, where no visible light existed. Most materials readily absorb infrared energy in a wide range of wavelengths, causing an increase in its temperature. The same phenomenon causes us to feel warmth when we are exposed to sunlight. The infrared rays from the sun travel through the vacuum of space, through the atmosphere, and penetrate our skin. This causes increased molecular activity in the skin, which creates internal friction and generates heat, allowing us to feel warmth.

Foods cooked over infrared heat sources are heated by the same principle. Charcoal grilling is our most familiar choice for infrared cooking. The glowing briquettes emit infrared energy to the food being cooked with very little drying effect. Any juices or oils that escape from the food drip onto the charcoal and vaporize into smoke giving the food its delicious grilled taste. The Napoleon infrared burner cooks in the same way. In each burner, 10,000 ports – each with its own tiny flame – cause the surface of the ceramic tile to glow red. This glow emits the same type of infrared heat to the food as charcoal, without its hassle or mess. Infrared burners also provide a more consistently heated area that is far easier to regulate than a charcoal fire. For instant searing, the burners can be set to high, yet they can also be turned down for slower cooking. We all know how difficult that is on a charcoal fire. Traditional gas burners heat the food in a different way. The air surrounding the burner is heated by the combustion process and then rises to the food being cooked. This generates lower grill temperatures that are ideal for more delicate cuisine such as seafood or vegetables, whereas Napoleon's infrared burners produce searing heat for juicier, tastier steaks, hamburgers and other meats. For cooking times and tips refer to the Infrared Grilling Chart.

## Infrared Grilling Chart

Food	Control Setting	Cooking Time	Helpful Suggestions
Steak 1 in. (2.54cm) thick	High setting 2 min. each side.  High setting 2 min. each side then medium setting.  High setting 2 min. each side then medium setting.	4 min. – Rare  6 min. – Medium  8 min. – Well done	When selecting meat for grilling, ask for marbled fat distribution. The fat acts as a natural tenderizer while cooking and keeps it moist and juicy.
Hamburger 1/2 in. (1.27cm) thick	High setting 2 min. each side.  High setting 2 1/2 min. each side.  High setting 3 min. each side.	4 min. – Rare  5 min. – Medium  6 min. – Well done	Preparing hamburgers to order is made easier by varying the thickness of your patties. To add an exotic taste to your meat, try adding hickory-flavored woodchips to Napoleon's woodchip smoker.
Chicken pieces	High setting 2 min. each side. then medium-low to low setting.	20-25 min.	The joint connecting the thigh and the leg from the skinless side should be sliced 3/4 of the way though for the meat to lay flatter on the grill. This helps it to cook faster and more evenly. To add a trademark taste to your cooking, try adding mesquite-flavoured woodchips to your Napoleon woodchip smoker.
Pork chops	Medium	6 min. per side	Trim off the excess fat before grilling. Choose thicker chops for more tender results.
Spare ribs	High setting for 5 minutes low to finish	20 min. per side turn often	Choose ribs that are lean and meaty. Grill until meat easily pulls away from the bone.
Lamb chops	High setting for 5 minutes medium to finish	15 min. per side	Trim off the excess fat before grilling. Choose extra thick chops for more tender results.
Hot dogs	Medium - Low	4-6 min.	Select the larger size wieners. Slit the skin lengthwise before grilling.

# Cleaning Instructions



**WARNING!** Always wear protective gloves and safety glasses when servicing your grill.

**WARNING!** To avoid the possibility of burns, maintenance should be done only when the grill is cool. Avoid unprotected contact with hot surfaces. Ensure all burners are turned off. Clean grill in an area where cleaning solutions will not harm decks, lawns, or patios. Do not use oven cleaner to clean any part of this gas grill. Do not use a self-cleaning oven to clean cooking grids or any other parts of the gas grill. Barbecue sauce and salt can be corrosive and will cause rapid deterioration of the gas grill components unless cleaned regularly.

**Note:** Stainless steel tends to oxidize or stain in the presence of chlorides and sulfides, particularly in coastal areas and other harsh environments, such as the warm, highly humid atmosphere around pools and hot tubs. These stains could be perceived as rust, but can be easily removed or prevented. To provide stain prevention and removal, wash all stainless steel surfaces every 3-4 weeks or as often as required with fresh water and/or stainless steel cleaner.

**Grids And Warming Rack:** The grids and warming rack are best cleaned with a brass wire brush during the pre-heating period. Steel wool can be used for stubborn stains. It is normal that stainless grids (if equipped) will discolor permanently from regular usage due to the high temperature of the cooking surface.

**Control Panel:** The control panel text is printed directly on the stainless steel and with proper maintenance will remain dark and legible. To clean the panel, use only warm soapy water or stainless steel cleaner available from your Napoleon dealer. Never apply abrasive cleaners on any stainless surfaces, especially the printed portion of the control panel or the printing will gradually rub off.

**Cleaning Inside The Gas Grill:** Remove the cooking grids. Use a brass wire brush to clean loose debris from the casting sides and underneath the lid. Scrape the sear plates with a putty knife or scraper, and use a wire brush to remove the ash. Remove the sear plates and brush debris from the burners with the brass wire brush. Sweep all debris from inside the gas grill into the drip pan.



**WARNING!** Accumulated grease is a fire hazard.

**Drip Pan:** Clean the drip pan frequently (every 4 – 5 uses or as often as required) to avoid grease buildup. Grease and excess drippings pass through to the drip pan, located beneath the gas grill and accumulate in the disposable grease tray below the drip pan. To access the disposable grease tray or to clean the drip pan, slide the drip pan free of the grill. Never line the drip pan with aluminum foil, sand or any other material as this could prevent the grease from flowing properly. The pan should be scraped out with a putty knife or scraper. Replace the disposable grease tray every 2 – 4 weeks, depending on gas grill usage. For supplies, see your Napoleon Gas Grill dealer.

**Cleaning The Outer Grill Surface:** Do not use abrasive cleaners or steel wool on any painted, porcelain or stainless steel parts of your Napoleon Grill. Doing so will scratch the finish. Exterior grill surfaces should be cleaned with warm soapy water while the metal is still warm to the touch. To clean stainless surfaces, use a stainless steel or a non-abrasive cleaner. Always wipe in the direction of the grain. Over time, stainless steel parts discolor when heated, usually to a golden or brown hue. This discoloration is normal and does not affect the performance of the grill. Porcelain enamel components must be handled with additional care. The baked-on enamel finish is glass-like, and will chip if struck. Touch-up enamel is available from your Napoleon Grill dealer.

**Lights:** The lens face can be cleaned with warm soapy water and a soft, clean rag. For stubborn stains, a small amount of degreaser may be used. Do not use abrasive cleaners as this may scratch or damage the lens.



# Maintenance Instructions

We recommend this gas grill be thoroughly inspected and serviced annually by a qualified service person.

At all times keep the gas grill area free from combustible materials, gasoline and other flammable vapors and liquids. Do not obstruct the flow of ventilation and combustion air. Keep the cylinder enclosure ventilation openings (located on the cart sides and at the front and back of the bottom shelf) free and clear from debris.

**WARNING!** Always wear protective gloves and safety glasses when cleaning your grill.

**WARNING!** Turn off the gas at the source and disconnect the unit before servicing. To avoid the possibility of burns, maintenance should be done only when the grill is cool. A leak test must be performed annually and whenever any component of the gas train is replaced or gas smell is present.

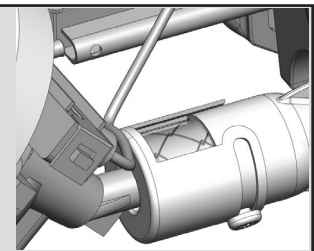
**Burner:** The burner is made from heavy wall 304 stainless steel, but extreme heat and a corrosive environment can cause surface corrosion to occur. This can be removed with a brass wire brush.

**CAUTION!** Beware of Spiders.

Spiders and insects are attracted to the smell of propane and natural gas. The burner is equipped with an insect screen on the air shutter, which reduces the likelihood of insects building nests inside the burner but does not entirely eliminate the problem. A nest or web can cause the burner to burn with a soft yellow or orange flame or cause a fire (flashback) at the air shutter underneath the control panel. To clean the inside of the burner, it must be removed from the gas grill: Remove the screw (s) that attaches the burner to the back wall. Slide the burner back and up wards to remove. Cleaning: Use a flexible venturi tube brush to clean the inside of the burner. Shake any loose debris from the burner through the gas inlet. Check the burner ports and valve orifices for blockages. Burner ports can close over time due to cooking debris and corrosion, use an opened paperclip or the supplied port maintenance bit to clean them. Drill out blocked ports using this drill bit in a small cordless drill. The ports are easier to clean if the burner is removed from the grill, but it can also be done with the burner installed. Do not flex the drill bit when drilling the ports, as this will cause the drill bit to break. This drill is for burner ports only, not for the brass orifices (jets) which regulate the flow into the burner. Take care not to enlarge the holes. Ensure the insect screen is clean, tight, and free of any lint or other debris.

**Reinstallation:** Reverse the procedure to reinstall the burner. Check that the valve enters the burner when installing. Replace sear plate mount and / or tighten screws to complete reinstallation.

**WARNING!** When reinstalling the burner after cleaning it is very important that the valve/orifice enters the burner tube before lighting your gas grill. If the valve is not inside the burner tube a fire or explosion could occur.

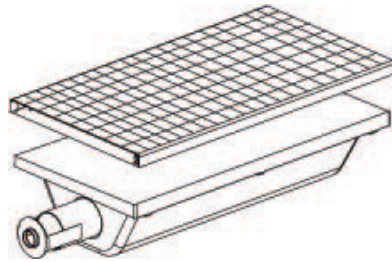


**Protection Of Infrared Burners:** The infrared burners of your grill are designed to provide a long service life, though care must be taken to prevent cracking of their ceramic surfaces. Fractures will cause the burners to malfunction. The following provides a few of the causes of cracks and the steps you can take to avoid them. Damage caused by failure to follow these steps is not covered by your grill warranty.

1. Impact with hard objects - Never allow hard objects to strike the ceramic. Take care when inserting or removing cooking grates and accessories into or from the grill.
2. Contact with water or other liquids - Cold liquids contacting the hot ceramic surfaces can cause them to break. Never throw water into the grill to douse a flame. If the ceramic or interior of a burner becomes wet while not in use, later operation of the burner can create steam, which can produce sufficient pressure to crack the ceramic. Repeated soaking of the ceramic can also cause it to swell and expand. This expansion causes undue pressure on the ceramic that can cause it to crack and crumble.
  - i) Never throw water into the grill to control flare-ups.
  - ii) Do not attempt to operate the infrared burners in open air while raining.
  - iii) If you find standing water in your grill (because of exposure to rainfall, sprinklers, etc.), inspect the ceramic for evidence of possible watersoaking. If the ceramic appears to be wet, remove the burner from the grill. Turn it upside down to drain the excess water and bring indoors to dry thoroughly.

3. Impaired ventilation of hot air from the grill - For the burners to function properly, hot air must have a way to escape the grill. If the hot air is not allowed to escape, the burners can become deprived of oxygen causing them to back-flash. If this occurs repeatedly, the ceramic could crack. Never cover more than 75% of the cooking surface with solid metal (i.e., griddle or large pan).

4. Incorrect cleaning - Do not clean the ceramic tile with a wire brush. If debris is collecting on your burner, light the burner and operate on high for 5 minutes with the lid open, allowing debris to burn off.



**Replacement Screen N565-0002**



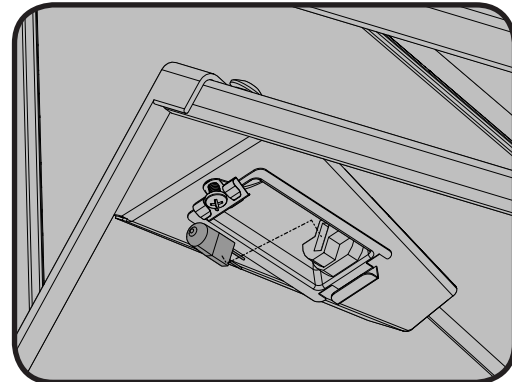
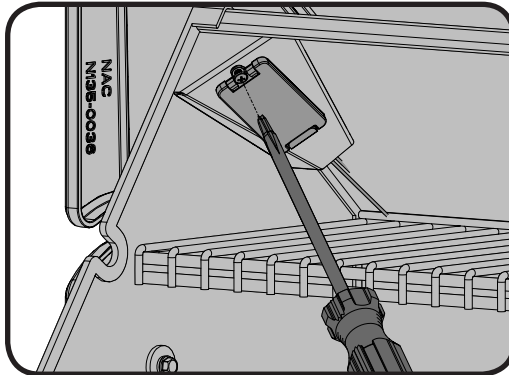
**WARNING!** Hose: Check for abrasions, melting, cuts, and cracks in the hose. If any of these conditions exist, do not use the gas grill. Have the part replaced by your Napoleon Gas Grill dealer or qualified gas installer.

**Aluminum Castings:** Clean castings periodically with warm soapy water. Aluminum will not rust, but high temperatures and weathering can cause oxidation to occur on aluminum surfaces. This appears as white spots on the castings. To refinish these areas, clean first and sand lightly with fine sandpaper. Wipe the surface to remove any residue and paint with high temperature barbecue paint. Protect surrounding areas from over-spray. Follow the manufacture's directions for curing.



**WARNING!** Always wear protective gloves when changing the halogen bulb in the internal lights of your grill.

**Lights:** To replace the halogen bulb in your grill you must first remove the lens from the light housing. To remove the lens from the housing, remove the Philips screw securing the housing in place. Snap the lens out of the housing (including the metal bracket). **Do not touch the halogen bulb with your bare hands. The oil from your fingertips will reduce the life of the bulb.** With gloved hands gently pull the old bulb from the socket and replace with the new bulb. Reinstall the lens, by snapping it back into the housing and bend the tabs on the front of the housing back in to position.



# Troubleshooting

Problem	Possible Causes	Solution
Low heat / Low flame when valve turned to high.	For propane - improper lighting procedure.  Improper preheating.	Ensure lighting procedure is followed carefully. All gas grill valves must be in the off position when the tank valve is turned on. Turn tank on slowly to allow pressure to equalize. See lighting instructions.  Preheat grill with both main burners on high for 10 to 15 minutes.
Excessive flare-ups/uneven heat.	Sear plates installed incorrectly.  Improper preheating.  Excessive grease and ash build on sear plates and in drip pan.	Ensure sear plates are installed with the holes towards the front and the slots on the bottom. See assembly instructions.  Preheat grill with both main burners on high for 10 to 15 minutes.  Clean sear plates and drip pan regularly. Do not line pan with aluminum foil. Refer to cleaning instructions.
Burners burn with yellow flame, accompanied by the smell of gas.	Possible spider web or other debris, or improper air shutter adjustment.	Thoroughly clean burner by removing. See general maintenance instructions. Open air shutter slightly according to combustion air adjustment instructions. (This must be done by a qualified gas installer.)
Main burner will not light with the igniter, but will light with a match.	Jet-fire outlet is dirty or clogged.	Clean jet-fire outlet with a soft bristle brush.
Humming regulator.	Normal occurrence on hot days.	This is not a defect. It is caused by internal vibrations in the regulator and does not affect the performance or safety of the gas grill. Humming regulators will not be replaced.
Burners will not cross light each other.	Dirty or corroded cross light brackets.	Clean or replace as required.
"Paint" appears to be peeling inside lid or hood.	Grease build-up on inside surfaces.	This is not a defect. The finish on the lid and hood is porcelain, and will not peel. The peeling is caused by hardened grease, which dries into paint-like shards that flake off. Regular cleaning will prevent this. See cleaning instructions.
Burner output on "high" setting is too low. (Rumbling noise and fluttering blue flame at burner surface.)	Lack of gas.  Supply hose is pinched.  Dirty or clogged orifice.  Spider webs or other matter in venturi tube.  Propane regulator in "low flow" state.	Check gas level in propane cylinder.  Reposition supply hose as necessary.  Clean burner orifice.  Clean out venturi tube.  Ensure lighting procedure is followed carefully. All gas grill valves must be in the off position when the tank valve is turned on. Turn tank on slowly to allow pressure to equalize. See lighting instructions.



Problem	Possible Causes	Solution
Infrared burner (if equipped) flashes back (during operation the burner abruptly makes a loud “whoosh” sound, followed by a continuous blow-torch type sound and grows dim.)	<p>Ceramic tiles overloaded with grease drippings and build-up. Ports are clogged.</p> <p>Burner overheated due to inadequate ventilation (too much grill surface covered by griddle or pan.)</p> <p>Cracked ceramic tile.</p> <p>Leaking gasket surrounding the ceramic tile, or a weld failure in the burner housing.</p>	<p>Turn burner off and allow to cool for at least two minutes. Relight burner and burn on high for at least five minutes or until the ceramic tiles are evenly glowing red.</p> <p>Ensure that no more than 75% of the grill surface is covered by objects or accessories. Turn burner off and allow to cool for at least two minutes, then relight.</p> <p>Allow burner to cool and inspect very closely for cracks. If any cracks are found, contact your authorized Napoleon dealer to order a replacement burner assembly.</p> <p>Contact your authorized Napoleon dealer for instructions on ordering a replacement burner assembly.</p>
Electronic Ignition not working.	<p>Unit not connected to power.</p> <p>Blown Fuse.</p> <p>Faulty transformer.</p> <p>Terminals on switch or circuit board are corroded or loose.</p> <p>Faulty igniter.</p> <p>Dirty or corroded electrodes.</p>	<p>Plug power cord (from working GFI protected outlet) into electrical box on the back of the grill. Plug transformer cord into power box.</p> <p>Replace fuse located on outlet line of transformer.</p> <p>Check transformer output – should be 12VAC. Replace if required.</p> <p>Clean connections and ensure connectors are pushed together firmly. Access to circuit board is under electrical cover on left side of cabinet.</p> <p>Replace igniter – located under electrical cover.</p> <p>Clean or replace as required.</p>
Oven and control panel lights not working	<p>Unit not connected to power.</p> <p>Blown fuse.</p> <p>Faulty transformer.</p> <p>Terminals on switch or circuit board are corroded or loose.</p> <p>Bulbs blown (oven lights only).</p>	<p>Plug power cord (from working GFI protected outlet) into electrical box on the back of the grill. Plug transformer cord into power box.</p> <p>Replace fuse located on outlet line of transformer.</p> <p>Check transformer output – should be 12VAC. Replace if required.</p> <p>Clean connections and ensure connectors are pushed together firmly. Access to circuit board is under electrical cover on left side of cabinet.</p> <p>Replace bulbs as per the instructions in the maintenance section of the manual.</p>

**KEEP YOUR RECEIPT AS PROOF OF PURCHASE TO VALIDATE YOUR WARRANTY.**

## Ordering Replacement Parts

### *Warranty Information*

MODEL: \_\_\_\_\_

DATE OF PURCHASE: \_\_\_\_\_

SERIAL NUMBER: \_\_\_\_\_

### ***(Record information here for easy reference)***

Before contacting the Customer Care Department, check the NAC Website for more extensive cleaning, maintenance, troubleshooting and parts replacement instructions at [www.napoleongrills.com](http://www.napoleongrills.com). Contact the factory directly for replacement parts and warranty claims. Our Customer Solutions Department is available between 9 AM and 5 PM (Eastern Standard Time) at 1-866-820-8686 or fax at 1-705-727-4282. To process a claim, we must be provided with the following information:

1. Model and serial number of the unit.
2. Part number and description.
3. A concise description of the problem ('broken' is not sufficient).
4. Proof of purchase (photocopy of the invoice).

In some cases the Customer Care Representative could request to have the parts returned to the factory for inspection before providing replacement parts. These parts must be shipped prepaid to the attention of the Customer Solutions Department with the following information enclosed:

1. Model and serial number of the unit.
2. A concise description of the problem ('broken' is not sufficient).
3. Proof of purchase (photocopy of the invoice).
4. Return Authorization Number - provided by the Customer Care Representative.

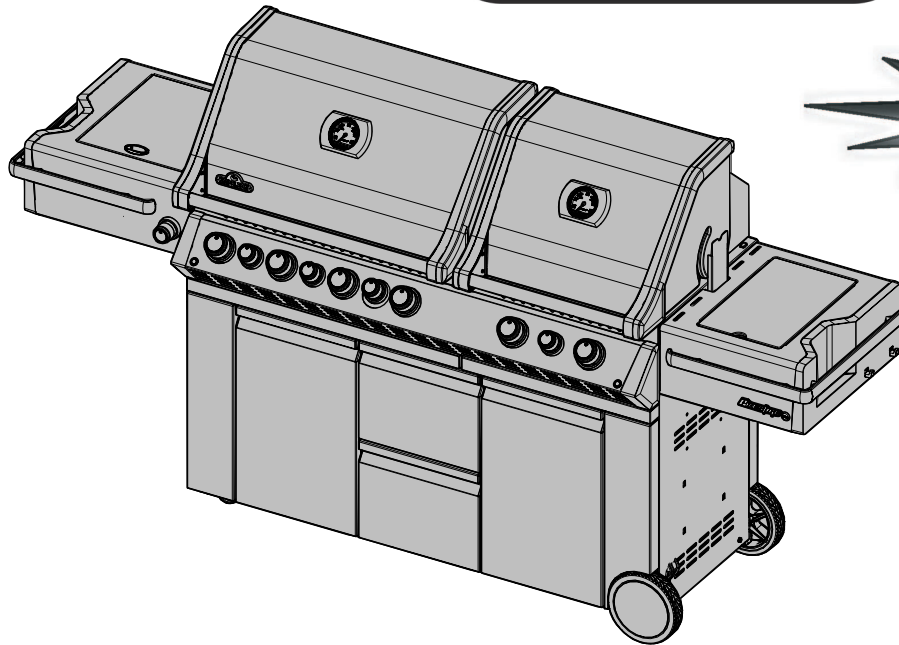
Before contacting customer care, please note that the following items are not covered by the warranty:

- Costs for transportation, brokerage or export duties.
- Labor costs for removal and reinstallation.
- Costs for service calls to diagnose problems.
- Discoloration of stainless steel parts.
- Part failure due to lack of cleaning and maintenance, or use of improper cleaners (oven cleaner).

Dieser Gasgrill darf nur an einem gut belüfteten Ort im Freien benutzt werden, nicht jedoch in einem Gebäude, einer Garage oder einem anderen geschlossenen Bereich.



DE



BITTE SORGFÄLTIG  
AUFBEWAHREN

**PRO825**



### **GEFAHR**

**WENN ES NACH GAS RIECHT:**

- Gaszufuhr zum Gerät absperren.
- Flammen löschen.
- Haube öffnen.
- Wenn es weiterhin nach Gas riechen sollte, dem Gerät fernbleiben und unverzüglich den Gaslieferanten oder die Feuerwehr benachrichtigen.



### **ACHTUNG**

Vor dem Zünden dieses Geräts bitte unbedingt den Abschnitt „ZÜNDANLEITUNG“ lesen.

In der Nähe dieses oder anderer Geräte dürfen weder Benzin noch andere brennbaren Flüssigkeiten oder Gase gelagert werden. Dies gilt auch für nicht angeschlossene Gasflaschen. Ein Nichtbefolgen dieser Anleitung kann durch Brände oder Explosionen zu Sachschäden und Körperverletzungen, auch zu tödlichen, führen.

Erwachsene und insbesondere Kinder sollten vor den Gefahren beim Umgang mit hohen Oberflächentemperaturen gewarnt werden. Kleine Kinder, die sich in der Nähe des Gasgrills aufhalten, sollten stets beaufsichtigt werden.

**Bitte Bewahren Sie Diese Anleitung Auf**



N415-0306CE-GB-DE FEB 20.15

Napoleon Group of Companies  
214 Bayview Dr., Barrie, Ontario, Canada L4N 4Y8  
Phone: 1-705-726-4278 Fax: (705)-725-2564  
[www.napoleongrills.com](http://www.napoleongrills.com)

Customer Solutions: 1-866-820-8686 or [grills@napoleonproducts.com](mailto:grills@napoleonproducts.com)





NAPOLEON-Gasgrills werden gemäß Qualitätssicherungsnorm ISO 9001-2008 hergestellt.

NAPOLEON-Produkte bestehen aus hervorragenden Bauteilen und Materialien und werden von Fachkräften montiert, die stolz auf ihre Arbeit sind. Vor dem Verpacken für den Versand sind Ventile und Brenner auf einem Qualitätsprüfstand leakagegeprüft bzw. probegezündet und von einem qualifizierten Techniker inspiziert worden, damit der Kunde genau das Qualitätsprodukt erhält, das er von NAPOLEON erwartet.

## President's Limited Lifetime Warranty der Napoleon-Gasgrills

Die Firma NAPOLEON garantiert, dass ab Kaufdatum an den Komponenten Ihres neuen NAPOLEON-Produkts weder Material- noch Verarbeitungsmängel für die folgende Dauer auftreten:

Alugussteile / Edelstahlrahmen	Lebenszeit
Edelstahl Deckel	Lebenszeit
Porzellan-Emailierter Deckel	Lebenszeit
Edelstahl-Grillroste	Lebenszeit
Edelstahl-Rohrbrenner	10 Jahre <sup>plus5</sup>
Edelstahl-Flammenschutzsätze	5 Jahre <sup>plus5</sup>
Grillroste aus porzellanbeschichtetem Gusseisen	5 Jahre <sup>plus5</sup>
Edelstahl-Infrarotbrenner für Drehspieß	5 Jahre
Keramik-Infrarotbrenner für Drehspieß (ausgenommen Gitter)	3 Jahre
Unterer Keramik-Infrarotbrenner oder Keramik-Infrarot-Seitenbrenner (ausgenommen Gitter)	2 Jahre
Sonstige Teile	2 Jahre

**plus5** bedeutet eine erweiterte Garantiefrist, wonach das Ersatzteil dem Käufer für zusätzliche 5 Jahre zu 50% des aktuellen Einzelhandelspreises zur Verfügung gestellt wird.

## Bedingungen und Beschränkungen

NAPOLEON garantiert ausschließlich gegenüber dem Erstkäufer und unter der Voraussetzung, dass der Kauf über einen offiziellen NAPOLEON-Vertragshändler erfolgt ist, eine Mängelfreiheit seiner Produkte. Dabei gelten die folgenden Bedingungen und Beschränkungen:

Die vorliegende Herstellergarantie ist nicht übertragbar und kann auf keinen Fall von einem unserer Vertreter verlängert werden.

Der Gasgrill muss von einem lizenzierten, autorisierten Servicetechniker oder Vertragspartner installiert werden. Die Installation muss gemäß den mitgelieferten Installationsanweisungen sowie sämtlichen regionalen und nationalen Bau- und Brandschutzvorschriften erfolgen.

Diese beschränkte Garantie umfasst keine Schäden, die durch unsachgemäße Bedienung, mangelhafte Wartung, Fettbrand, Umwelteinflüsse, Unfälle, Modifikationen, missbräuchliche Verwendung oder Nachlässigkeit verursacht werden. Im Falle der Installation von Ersatzteilen anderer Hersteller erlischt die vorliegende Garantie. Verfärbungen von Plastikteilen durch den Einsatz von chemischen Reinigungsmitteln oder die Einwirkung von Sonnenlicht sind in dieser Garantie nicht abgedeckt.

Von dieser Garantie sind ferner ausgenommen: Kratzer, Dellen, Lackschäden, Beschichtungen, Korrosion oder Verfärbungen durch Hitzeinwirkung oder scheuernde und chemische Reinigungsmittel sowie Absplitterungen auf porzellanbeschichteten Teilen und Komponenten, die bei der Installation des Gasgrills verwendet werden.

Sollte sich der Zustand eines Teils innerhalb der Garantiefrist so sehr verschlechtern (Durchrosten oder Durchbrennen), dass es nicht mehr funktionstüchtig ist, wird dem Kunden ein Ersatzteil zur Verfügung gestellt.

Nach dem ersten Jahr ist NAPOLEON gemäß der vorliegenden President's Limited Lifetime Warranty befugt, sich nach eigenem Ermessen von sämtlichen Garantieverpflichtungen zu entbinden, indem sie dem Erstkäufer den Großhandelspreis eines mangelhaften Garantieteils rückerstattet.

NAPOLEON übernimmt keine Verantwortung für Installations-, Arbeits- oder andere Kosten bzw. Ausgaben, die im Zusammenhang mit der Neuinstallation eines Garantieteils entstehen. Diese Kosten sind von der vorliegenden Garantie ausgenommen.

Ungeachtet der in dieser der President's Limited Lifetime Warranty enthaltenen Bestimmungen entspricht die Haftung von NAPOLEON gemäß dieser Garantie dem oben Dargelegten und erstreckt sich in keinem Fall auf etwaige Neben-, Folge- oder indirekte Schäden.

Die vorliegende Garantie definiert die Verpflichtung und Haftung von NAPOLEON im Hinblick auf den NAPOLEON-Gasgrill. Sonstige ausdrückliche oder implizierte Gewährleistungen hinsichtlich dieses Produkts, seiner Komponenten oder Zubehörteile sind ausgeschlossen.

NAPOLEON übernimmt im Zusammenhang mit dem Verkauf dieses Produkts keine weiteren Haftungen und befugt auch Dritte nicht dazu, in ihrem Namen weitere Haftungen zu übernehmen.

NAPOLEON übernimmt keine Verantwortung für: Überhitzung, Ausblasen durch Umwelteinflüsse wie starke Winde oder inadäquate Belüftung.

Etwaige Schäden am Gasgrill durch Wettereinflüsse, Hagel, grobe Behandlung, aggressive Chemikalien oder Reinigungsmittel liegen nicht in der Verantwortung von NAPOLEON.

Im Falle eines Garantieanspruchs ist der Kaufbeleg oder eine Kopie davon unter Angabe der Serien- und Modellnummer vorzulegen. NAPOLEON behält sich das Recht vor, vor Erfüllung der Garantiepflicht das Produkt oder ein Teil davon von einem ihrer Vertreter begutachten zu lassen.

NAPOLEON übernimmt keine Transport- und Arbeitskosten oder Ausfuhrzölle.



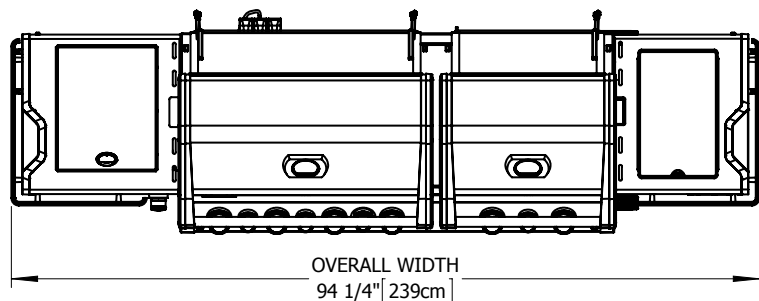
**ACHTUNG!** Ein Nichtbefolgen dieser Anleitung kann durch Brände oder Explosionen zu Sachschäden und Körperverletzungen, auch zu tödlichen, führen.

## Vorsichtsmassnahmen

- Bei der Montage dieses Gasgrills müssen die Anweisungen im Handbuch genau befolgt werden. Falls der Grill vollständig montiert aufbewahrt wurde, müssen die Montageanweisungen erneut überprüft und die erforderlichen Prüfungen auf Gaslecks durchgeführt werden, bevor der Grill in Betrieb genommen wird.
- Vor dem ersten Gebrauch des Gasgrills die gesamte Anleitung lesen.
- Auf keinen Fall darf dieser Gasgrill modifiziert werden.
- Grill stets genau nach Anleitung zünden.
- Wenn der Gasgrill nicht benutzt wird, muss die Gaszufuhr abgesperrt werden.
- Kinder und Haustiere vom heißen Grill fernhalten, Kinder NICHT in den Unterschrank klettern lassen.
- Den Grill niemals unbeaufsichtigt lassen, wenn er in Betrieb ist.
- Den Grill nicht bewegen, solange er heiß oder in Betrieb ist.
- Dieser Gasgrill ist nicht zum Einbau in Wohnwagen/Wohnmobilen und/oder Booten vorgesehen.
- Diesen Gasgrill nur im Freien an einer gut belüfteten Stelle lagern. Niemals in einem Gebäude, einer Garage oder einem geschlossenen Bereich/Raum benutzen.
- Ausreichenden Abstand zu brennbaren Materialien einhalten (685 mm zur Geräterückseite, 180 mm zu den Seitenteilen). Zusätzlicher Abstand ist empfehlenswert, wenn das Gerät in der Nähe von Vinyl-Verkleidungen oder großen Fensterscheiben aufgestellt wird.
- Stellen Sie sicher, dass die Lüftungslöcher des Zylinders stets frei von Schmutz und Ablagerungen sind.
- Gerät niemals unter einer ungeschützten brennbaren baulichen Struktur aufstellen.
- Gerät nur an einem windgeschützten Ort aufstellen. Die Kochleistung des Gasgrills wird durch starke Windeinwirkung beeinträchtigt.
- Falls der Gasgrill im Innenbereich gelagert wird, muss die Propangasflasche vom Grill entfernt und im Freien an einer gut belüfteten Stelle aufbewahrt werden. Propangasflaschen dürfen nicht in Gebäuden, Garagen oder anderen geschlossenen Räumen gelagert werden.
- Vor jeder Benutzung muss der Gasschlauch untersucht werden. Wenn der Schlauch stark abgerieben oder eingeschnitten ist, muss er vor Benutzung des Gasgrills mit einem vom Hersteller empfohlenen Schlauch ersetzt werden.
- Ersatz-Propangasflaschen niemals unter oder in der Nähe des Grills aufbewahren.
- Die Gasflasche niemals mehr bis als 80 % füllen.
- Versuchen Sie nicht, eine Gasflasche zu verwenden, die nicht mit einer Verbindung vom Typ QCC1 ausgestattet ist.
- Vor der ersten Inbetriebnahme alle Anschlüsse auf Gaslecks prüfen, auch wenn der Grill vollständig montiert geliefert wurde. Führen Sie diesen Test jährlich oder nach dem Austausch einer Gaskomponente aus.
- Niemals ein für den Gebrauch mit flüssigem Propangas ausgelegtes Gerät mit Erdgas betreiben.
- Niemals flüssige Grillanzünder zum Anzünden eines Gasgrills verwenden.
- Holzkohlenbriketts nur mit einer für dieses Gerät vorgesehenen Napoleon-Holzkohlenwanne verwenden.
- Vor Öffnen der Gaszufuhr kontrollieren, dass die Brenner-Bedienelemente auf der Position „OFF“ (Aus) stehen.
- Brenner Niemals bei geschlossener Grillhaube zünden.
- Rückseitigen Brenner nicht verwenden, wenn der Hauptbrenner in Betrieb ist.
- Grillhaube während der Vorwärmzeit geschlossen halten.
- Den Schlauch nicht unter der Auffangschale durchführen – stets ausreichenden Abstand des Schlauches zum Geräteboden einhalten.
- Fett-Auffangbehälter und Glühplatten regelmäßig reinigen, um Fettansammlungen zu vermeiden, die zu Fettbränden führen können.
- Vor dem Anzünden des hinteren Brenners den Warmhalterost entfernen. Der Warmhalterost kann durch die extreme Hitze beschädigt werden.
- Korrekte Position der Glühplatten kontrollieren. Folgen Sie hierzu den Installationsanweisungen für die Glühplatten.
- Die Seitenablagen nicht für die Aufbewahrung von Feuerzeugen, Streichhölzern oder anderen brennbaren Materialien verwenden.
- Gasleitung von allen Oberflächen fernhalten, die heiß werden können.
- Elektrische Kabel von Wasser oder heißen Oberflächen fernhalten.
- Venturirohrdüsen der Infrarotbrenner periodisch auf Spinnweben und Verstopfungen durch andere Objekte überprüfen.
- Die Rohrdüsen vollständig reinigen, um alle Verstopfungen zu entfernen.
- Der Außen-Gasgrill und das entsprechende Sperrventil müssen von Gaszufuhrsystem getrennt werden, wenn das Gassystem aus Gasdrücke von über 0,5 psi (3,5 kPa) geprüft wird.
- Der Gasgrill für den Gebrauch im Freien und das entsprechende Sperrventil müssen vom Gaszufuhr und den Verbindungsrohren getrennt werden, wenn das Gassystem aus Gasdrücke von über 0,5 psi (3,5 kPa) geprüft wird.

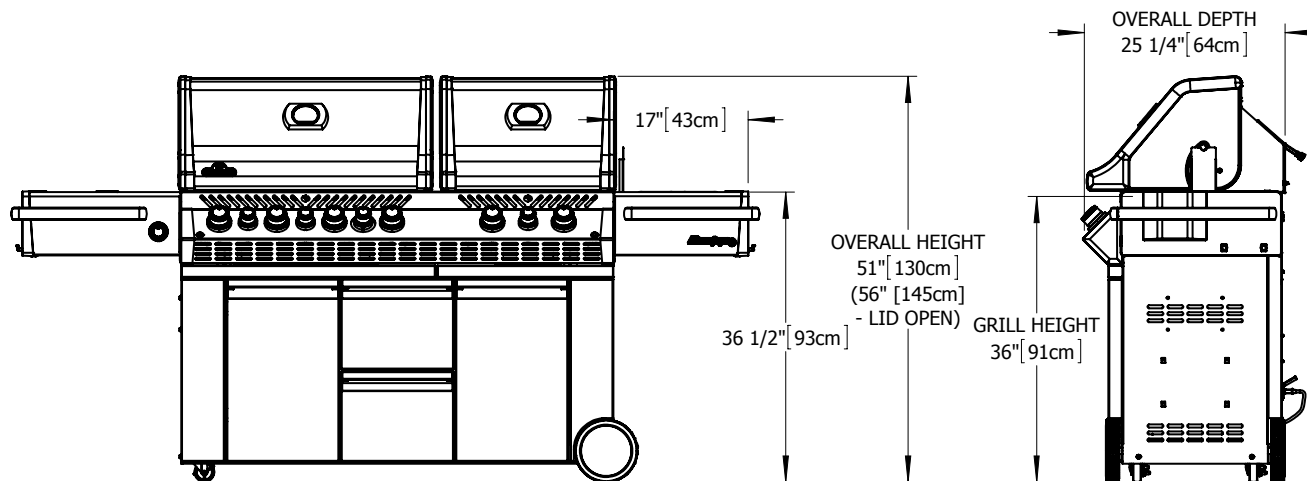
# ABMESSUNGEN

DE



**PRO825 GRILL**

GRILL SIZE: 500 in<sup>2</sup> (3265 cm<sup>2</sup>)  
 325 in<sup>2</sup> (2160 cm<sup>2</sup>)  
 WARMING RACK SIZE: 255 in<sup>2</sup> (1635 cm<sup>2</sup>)  
 165 in<sup>2</sup> (1080 cm<sup>2</sup>)  
 ALL DIMENSIONS ARE APPROXIMATE







## Entsorgung von Altgeräten aus privaten Haushalten in der EU

Dieses Symbol auf dem Produkt oder dessen Verpackung gibt an, dass das Produkt innerhalb der EU nicht zusammen mit dem Restmüll entsorgt werden darf. Die separate Sammlung und das Recyceln Ihrer alten Elektrogeräte zum Zeitpunkt ihrer Entsorgung trägt zum Schutz der Umwelt bei und gewährleistet, dass sie auf eine Art und Weise recycelt werden, die keine Gefährdung für die Gesundheit des Menschen und der Umwelt darstellt. Es obliegt daher Ihrer Verantwortung, das Gerät an einer entsprechenden Rücknahmestelle für die Entsorgung oder Wiederverwertung von Elektro- oder Elektronik-Altgeräten aller Art abzugeben oder wenden Sie sich an den Händler, von dem das Produkt erworben wurde. Gemäß den lokalen Bestimmungen gewährleisten diese Stellen, dass das Gerät auf eine Art und Weise recycelt wird, die keine Gefährdung für die Umwelt darstellt.

DE

## Gasflaschen

Es dürfen nur Gasflaschen benutzt werden, die die einschlägigen gesetzlichen Bestimmungen erfüllen. Die Mindestflaschengröße bei Butan ist 13 kg, bei Propan 6 kg. Die Flasche muss eine für den Betrieb ausreichende Gasmenge liefern können. Im Zweifelsfall wird der Gaslieferant mit Informationen helfen.

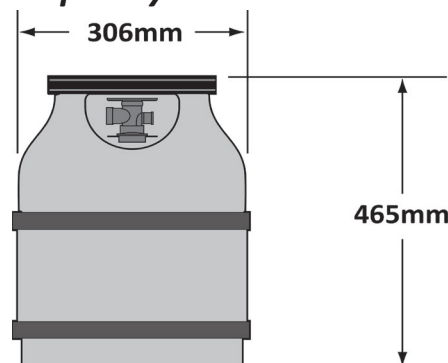
- Das Ventil der Gasflasche ist vorsichtig zu behandeln.
- Eine Flasche, die die gesetzlichen Bestimmungen nicht erfüllt, darf nicht angeschlossen werden.
- Eine mehr als 7 kg (maximale Größe 465mm hoch durch ausgedehnte 306mm) fassende Flasche muss außerhalb der Einfassung (unter der rechten Seitenablage) auf ebenem Boden stehen. Kleinere Flaschen können innerhalb der Einfassung in der Aussparung im unteren Regal stehen. Nur angeschlossene Gasflaschen dürfen in der Einfassung oder nahe am Gerät stehen. Reserveflaschen dürfen nicht in der Nähe eines betriebenen Geräts gelagert werden. Gasflaschen dürfen weder großer Hitze noch dem direkten Sonnenlicht ausgesetzt werden.



**ACHTUNG!** Der Schlauch muss den vorgeschriebenen Abstand zum Boden des Geräts haben. Wenn der Schlauch heiße Flächen berührt, kann er schmelzen und undicht werden und einen Brand verursachen.

**FLASCHENANSCHLUSS:** Es ist sicherzustellen, dass der Gasreglerschlauch knickfrei ist. Kappe oder Stöpsel vom Flaschenventil entfernen. Regler an das Flaschenventil anschließen. Vor der Benutzung des Grills alle Verbindungen auf Leckagen überprüfen. Ein Leckagetest muss jährlich, nach jedem Anschließen einer Flasche und nach Auswechseln eines Gasbauteils durchgeführt werden.

### Beispiel Zylinder



## Gasschlauch

- Gehören Schlauch und Regler nicht zum Lieferumfang, dürfen nur solche Schläuche und Regler verwendet werden, die die einschlägigen gesetzlichen Bestimmungen erfüllen.
- Gerät nicht an eine permanente Gasversorgung anschließen.
- Der Schlauch darf nicht mit Fett oder sonstigen heißen Flüssigkeiten oder Bauteilen des Geräts in Berührung kommen.
- Schlauch regelmäßig überprüfen. Ein Schlauch, der Risse oder Schmelzstellen aufweist oder abgenutzt ist, muss vor der nächsten Benutzung des Geräts ersetzt werden.
- Es wird eine Schlauchlänge von 0,9 m empfohlen. Der Schlauch darf nicht länger als 1,5 m sein.
- Beim Anschließen ist darauf zu achten, dass der Schlauch knickfrei und nicht verdreht ist.
- Der Schlauch ist vor dem aufgedruckten Ablaufdatum auszuwechseln.



## ACHTUNG!

- Schlauch nicht unterhalb der Auffangschale verlegen.
- Schlauch nicht im Zwischenraum zwischen dem unteren Regal und der hinteren Abdeckung verlegen.
- Schlauch nicht über die Oberseite der hinteren Abdeckung verlegen.
- Alle Schlauchanschlüsse mit zwei Rohrschlüsseln fest anziehen. Kein Teflon-Abdichtungsband oder Dichtungskitt für die Rohrverbindungen verwenden.
- Den Schlauch von heißen Oberflächen fernhalten. Schmelzen des Schlauchs kann zu Bränden führen.
- Ersatzschläuche nicht im Unterschrank des Grills aufbewahren, da hier größere Gefahr besteht, dass der Schlauch mit einer heißen Oberfläche in Kontakt kommen, schmelzen und zu einem Gasleck und Bränden führen kann.
- Alle Verbindungen mit Seifenlauge auf Gaslecks überprüfen. Folgen Sie den Anweisungen für die Suche nach Gaslecks in diesem Handbuch.

## Regler

In der folgenden Tabelle sind die Anschlusswerte des Geräts aufgeführt.

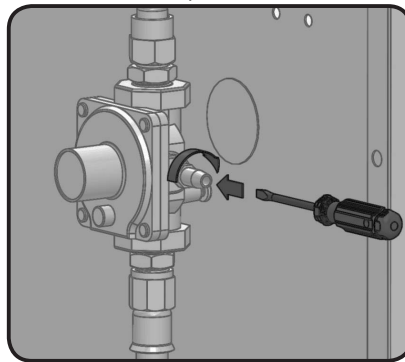
Brenner	Düsengröße	(Grob)Leistung (Insgesamt)	Gasverbrauch (Insgesamt)
	l	l	l
Haupt (Flamme)	#60	15.2 kW	1120 g/hr
Haupt (Infrarot)	#60	7.6 kW	560 g/hr
Hinten	1.25mm	5.5 kW	400 g/hr
Seite	#76 / 1.1 mm	5.3 kW	291 g/hr
Raucher	#67	2.5 kW	182 g/hr
Wärmen	#67	2.5 kW	182 g/hr

Zugelassene Gase / Druck - Die Werte Ihres Geräts stehen auf dem Typenschild.

Gaskategorie	l <sub>3B/P(30)</sub>	l <sub>3+(28-30/37)</sub>	l <sub>3B/P(37)</sub>	l <sub>3B/P(50)</sub>
Düsengröße (siehe oben)	l	l	l	l
Gasdruck	Butan und Propane bei 30mbar	Butan 28-30mbar Propane 37mbar	Butan und Propane bei 37mbar	Butan und Propane bei 50mbar
Länder	BE, BG, CY, DK, EE, FI, FR, GB, HR, HU, IS, IT, LT, LU, MT, NL, NO, RO, SE, SI, SK, TR	BE, CH, CY, CZ, ES, FR, GB, GR, IE, IT, LT, LU, LV, PT, SK, SI	PL	AT, CH, DE, SK

Nehmen Sie keinerlei Änderungen am Druckregler vor. Nur Druckregler verwenden, die den in der vorstehenden Tabelle angegebenen Druck bereitstellen. Der Grill ist mit einem internen Druckregler ausgestattet. Der interne Druckregler hat einen Auslassdruck von 24,5 mbar für Propan-/Butangas. Ersetzen Sie den Druckregler nur mit vom Hersteller vorgegebenen Modellen.

Diese Einheit ist mit einem internen Druckregler ausgestattet, der den Gasdruck stabilisiert und die Grillleistung verbessert. Dieser Druckregler ist nicht anpassbar. An der Seite des Druckreglers befindet sich ein Druckhahn. Dieser kann von einem entsprechend ausgebildeten Kundendiensttechniker dazu verwendet werden, die Funktion des Druckreglers zu überprüfen. Die Schraube mit dem Druckhahn muss stets fest angezogen sein, außer bei der Durchführung eines Drucktests am Druckregler (nur durch entsprechend geschulten Servicetechniker).



DE

### Elektrische Schutzmaßnahmen



**WARNUNG!** Nichtbefolgung dieser Anweisungen kann zu Sachschäden, Körperverletzung oder Tod führen.

- 230 - 240V / AC - 50HZ - 1.2A.
- Um sich vor Stromschlag zu schützen, tauchen Sie das Kabel oder die Stecker nicht in Wasser oder andere Flüssigkeiten.
- Ziehen Sie den Netzstecker heraus, wenn das Gerät nicht benutzt wird und bevor Sie den Grill reinigen. Lassen das Gerät erst abkühlen, bevor Sie Teile aufsetzen oder abnehmen.
- Verwenden Sie einen Gasgrill für den Außengebrauch nicht mit einem beschädigten Kabel oder Stecker oder nachdem das Gerät nicht richtig funktionierte oder auf irgendeine Art und Weise beschädigt wurde. Setzen Sie sich zu Reparaturzwecken mit dem Hersteller in Verbindung.
- Falls das Netzkabel beschädigt ist, darf es nur vom Hersteller oder dessen Kundendienst oder von ähnlich qualifizierten Personen ausgetauscht werden, um Gefährdungen zu vermeiden.
- Lassen Sie das Stromkabel nicht vom Rand eines Tisches herunter hängen oder mit heißen Oberflächen in Berührung kommen.
- Benutzen Sie einen Gasgrill für den Außengebrauch ausschließlich für die in der Bedienungsanleitung beschriebenen Zwecke.
- Zum Anschließen an die Stromversorgung stecken Sie den Stecker zunächst in das Grillgerät für den Außengebrauch und schließen Sie dann das Gerät an die Steckdose an.
- Schließen Sie dieses Gasgrillgerät für den Außengebrauch nur an einen Stromkreis mit GFI-Schutz (Ground Fault Interrupt = Unterbrechung bei Erdschluß) an.
- Entfernen Sie niemals den Erdungsstecker und verwenden Sie das Gerät nicht mit einem 2-Stift-Adapter.
- Verwenden Sie ausschließlich Verlängerungskabel mit einem 3-Stift-Erdungsstecker, die für die entsprechende Geräteleistung und für die Verwendung im Freien geeignet und entsprechend gekennzeichnet ist.

## Anleitung Für Die Leckageprüfung



**ACHTUNG!** Ein Leckagetest muss vor der ersten Benutzung, jährlich und nach Auswechseln oder Warten eines Gasbauteils durchgeführt werden.



**ACHTUNG!** Während der Prüfung ist Rauchen verboten. Alle Zündquellen sind zu entfernen.



**Leckageprüfung:** Ein Leckagetest muss vor der ersten Benutzung, jährlich und nach Auswechseln oder Warten eines Gasbauteils durchgeführt werden. Während der Prüfung ist Rauchen verboten. Alle Zündquellen sind zu entfernen. Die zu prüfenden Stellen sind auf der *Leckageprüfzeichnung* aufgeführt. Alle Brenner abstellen. Flaschenventil aufdrehen.



Seifenwasser (halb Wasser, halb Flüssigseife) auf alle Anschlüsse und Verbindungen an Regler, Schlauch, Verteiler und Ventile auftragen.

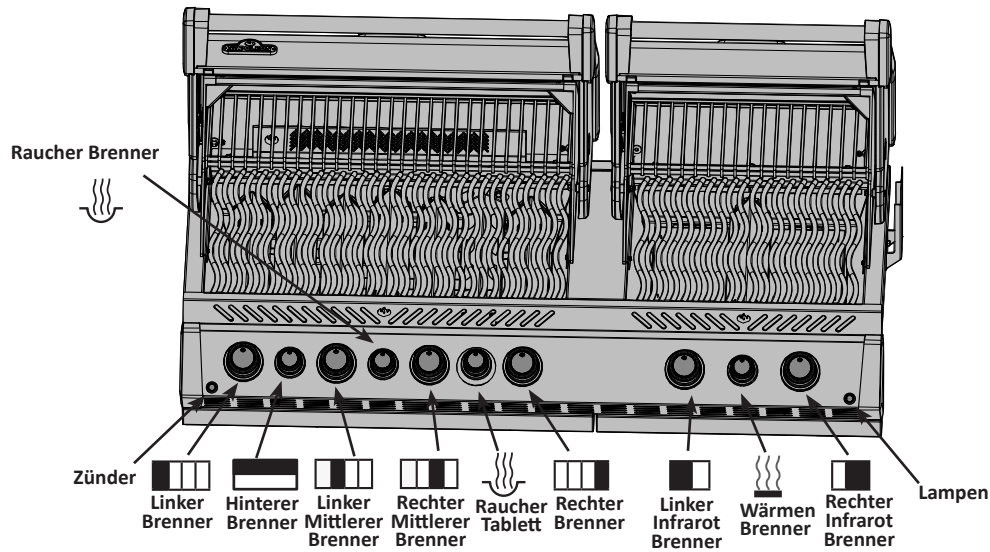


Leckagen werden durch Blasenbildung angezeigt. Leckage durch Festdrehen des Anschlusses oder Austausch des Teils durch ein vom Händler empfohlenes Teil beseitigen.

Bleibt die Leckage bestehen, Flaschenventil zudrehen, Regler abnehmen und Grill vom Gaslieferanten oder Händler untersuchen lassen. Das Gerät darf erst wieder benutzt werden, wenn die Leckage behoben ist. Gaszufuhr abstellen.

# Zündanleitung

DE



**VORSICHT!** Grilldeckel öffnen!

Ausschaltstellung



**VORSICHT!** Stellen Sie sicher, dass alle Regler in Off-Position sind. Drehen Sie langsam das Gaszufuhrventil auf.

Entzünden der Hauptbrenner	Entzünden des Smoker-Brenners	Entzünden des Heckbrenners (sofern vorhanden)	Entzünden des Seitenbrenners (sofern vorhanden)
1. Öffnen Sie den Grilldeckel.	1. Öffnen Sie den Grilldeckel.	1. Öffnen Sie den Grilldeckel.	1. Öffnen Sie die Brennerabdeckung.
2. Drücken Sie die Drehregler der Hauptbrenner und drehen Sie sie auf die höchste Position. Wenn die Kontrollleuchte leuchtet, drücken Sie weiterhin den Regler, bis sich der Brenner entzündet. Lassen Sie dann los.	2. Drücken und drehen Sie den Drehregler des Smoker-Brenners auf die höchste Position	2. Entfernen Sie den Warmhalterost.	2. Drücken und drehen Sie den Drehregler des Seitenbrenners auf die höchste Position
3. Leuchtet die Kontrollleuchte nicht auf, drehen Sie den Drehregler zurück in die Off-Position und wiederholen Sie Punkt 2 zwei weitere Male.	3. Drücken und halten Sie den Zünd-Knopf der elektronischen Zündung bis sich der Brenner entzündet, oder entzünden Sie ihn mittels Streichholz.	3. Drücken und drehen Sie den Drehregler des Heckbrenners in die höchste Position.	3. Drücken und halten Sie den Zünd-Knopf der elektronischen Zündung bis sich der Brenner entzündet, oder entzünden Sie ihn mittels Streichholz.
4. Leuchten weder Kontrollleuchte noch Brenner innerhalb von 5 Sekunden auf, drehen Sie den Drehregler zurück in die Off-Position und warten Sie 5 Minuten, bis sich das ausgetretene Gas verflüchtigt hat. Wiederholen Sie Schritt 2 und 3 oder entzünden Sie den Brenner mit einem Zündholz.	4. Entzündet sich der Brenner nicht innerhalb von 5 Sekunden, drehen Sie den Drehregler zurück in die Off-Position. Warten Sie 5 Minuten, bis sich ausgetretenes Gas verflüchtigt hat und wiederholen Sie Schritt 2.	4. Drücken und halten Sie den Zünd-Knopf der elektronischen Zündung bis sich der Brenner entzündet, oder entzünden Sie ihn mittels Streichholz.	4. Entzündet sich der Brenner nicht innerhalb von 5 Sekunden, drehen Sie den Drehregler zurück in die Off-Position. Warten Sie 5 Minuten, bis sich ausgetretenes Gas verflüchtigt hat und wiederholen Sie Schritt 2.
5. Wenn Sie den Brenner mit einem Streichholz entzünden, klemmen Sie dieses in die mitgelieferte Anzündhalterung. Halten Sie das geklemmte Streichholz durch den Rost, während Sie den jeweiligen Drehregler aufdrehen.		5. Entzündet sich der Brenner nicht innerhalb von 5 Sekunden, drehen Sie den Drehregler zurück in die Off-Position. Warten Sie 5 Minuten, bis sich ausgetretenes Gas verflüchtigt hat und wiederholen Sie Schritt 3.	



**VORSICHT!** Verwenden Sie den Heckbrenner nicht während der Nutzung des Hauptbrenners.

# Grillanleitung

Beim allerersten Erhitzen gibt der Gasgrill einen leichten Geruch ab. Der Geruch wird durch das „Einbrennen“ der Innenlacke und Verdunsten der Schmiermittel aus der Fertigung verursacht, ist ganz normal und tritt später nicht mehr auf. Vor der ersten Benutzung sollten Sie darum die Hauptbrenner etwa eine halbe Stunde mit größter Hitze brennen lassen. Vor dem Grillen von magerem Fleisch wie Hähnchenbrust oder mageres Schweinefleisch ist es am besten, die Roste vor dem Vorwärmen zu ölen, damit das Fleisch nicht anklebt. Beim Grillen von sehr fettem Fleisch kann es zum Aufflammen kommen. Um Aufflammen zu verhindern, können Sie Fett abschneiden oder mit niedrigerer Temperatur grillen. Wenn es zum Aufflammen kommt, legen Sie das Fleisch von der Flamme weg zur Seite und stellen die Temperatur herunter. Lassen Sie die Haube offen. Eine detaillierte Anleitung finden Sie in Napoleons Grill-Kochbuch.

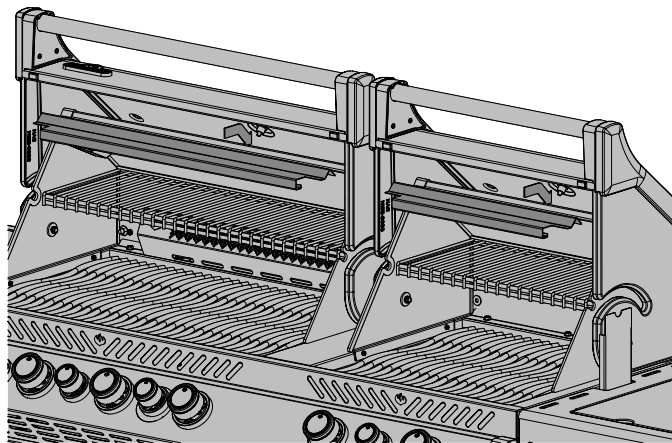
Stellen Sie den Grill nicht an einem windigen Standort auf. Starker Wind beeinträchtigt die Leistung des Gasgrills.

Bei extremem Wind gegen die Rückseite des Grills kann Hitze über das Bedienungspanel entweichen. Dies kann die Bedienelemente stark erhitzen (Vorsicht bei Berührung) und zu deren Verformung führen.

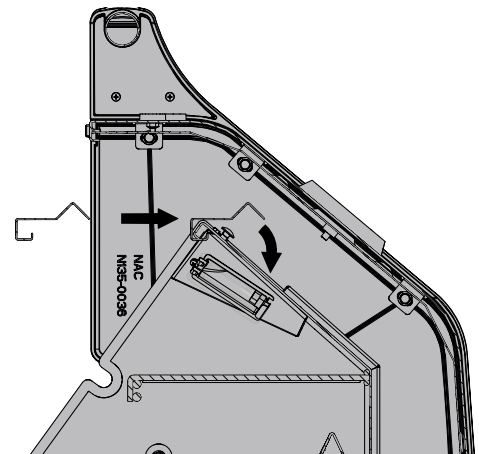
Napoleon bietet optional die unten abgebildeten Wind-Abweiser an. Montieren Sie diese, um entsprechendes Erhitzen zu vermeiden.

**HINWEIS!** Napoleon übernimmt keine Haftung für zu starkes Befeuern oder Hitzeausstöße aufgrund von Umwelteinflüssen wie starkem Wind oder unsachgemäßer Belüftung.

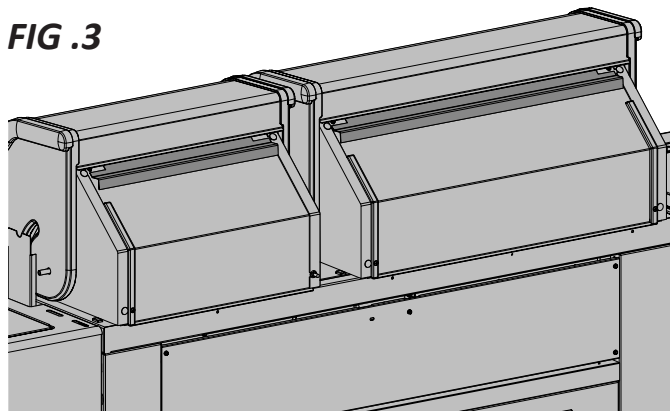
**FIG .1**



**FIG .2**



**FIG .3**



**Grillen Mit Den Hauptbrennern:** Vor dem Anbraten von Grillgut wird 10 Minuten Vorwärmen empfohlen. Dafür werden alle Hauptbrenner auf die höchste Stufe gestellt und die Haube geschlossen. Kurz zu grillende Nahrungsmittel wie Fisch und Gemüse können bei offener Haube gegrillt werden. Beim Grillen bei geschlossener Haube ist die Temperatur gleichmäßiger und höher, sodass die Grillzeit kürzer ist und das Fleisch gleichmäßiger gegrillt wird. Benötigt ein Grillgut länger als 30 Minuten, wie z. B. ein Braten, so kann es indirekt gekocht werden (Braten neben den gezündeten Brenner stellen). Vor dem Grillen von magerem Fleisch wie Hähnchenbrust oder mageres Schweinefleisch ist es am besten, die Roste vor dem Vorwärmen zu ölen, damit das Fleisch nicht anklebt. Beim Grillen von sehr fettem Fleisch kann es zum Aufflammen kommen. Um Aufflammen zu verhindern, können Sie Fett abschneiden oder mit niedrigerer Temperatur grillen. Wenn es zum Aufflammen kommt, legen Sie das Fleisch von der Flamme weg zur Seite und stellen die Temperatur herunter. Lassen Sie die Haube offen. Eine detaillierte Anleitung finden Sie in Napoleons Grill-Kochbuch.

**Grillen Mit Den Infrarot-Hauptbrennern:** Infrarotbrenner gemäß der Zündanleitung zünden und 5 Minuten oder bis die Keramikbrenner rot glühen bei geschlossener Haube auf höchster Stufe brennen lassen. Grillgut auf den Grill legen und solange braten, wie es in der Infrarot-Grilltabelle aufgeführt ist.

Je nach Geschmack können Sie entweder auf dem Infrarotbrenner auf höchster, mittlerer oder niedriger Stufe weitergrillen und das Grillgut öfter wenden, oder Sie legen es neben den Infrarotbrenner, schließen die Haube und lassen es wie im Bratofen fertig garen.

**VORSICHT!** Wegen der großen Hitze der Infrarotbrenner brennt das Grillgut schnell an! Darum sollte die Haube offen sein, wenn mit den Infrarotbrennern in höchster Stufe gegrillt wird. Durch die große Hitze ist auch bei offener Haube eine ausreichende Anbrattemperatur gewährleistet. Außerdem kann man das Grillen besser überwachen und ein Anbrennen verhindern.

**Direktes Garen:** Grillgut direkt über der Wärmequelle auf den Grill legen. Diese Methode wird üblicherweise zum Braten von Speisen verwendet, die keine langen Kochzeiten erfordern - Hamburger, Steaks, Geflügelstücke, Gemüse usw. Das Grillgut wird zunächst scharf angebraten, um Säfte und Aromen im Grillgut „einzusiegeln“. Anschließend wird die Temperatur verringert, um das Gericht punktgenau fertig zu garen.

**Indirektes Garen:** Hierbei kann nur einer oder auch mehrere Brenner verwendet werden. Grillgut über einem nicht gezündeten Brenner auf den Grill legen. Die Wärme zirkuliert um das Grillgut und sorgt so für langsames und gleichmäßiges Garen. Diese Kochmethode ist vergleichbar mit dem Garen im Backofen und wird üblicherweise für größere Fleischstücke wie Braten, ganze Hähnchen oder Pute verwendet. Sie eignet sich aber auch für die Zubereitung von Grillgut, das leicht zum Aufflammen führen kann. Aufgrund der niedrigeren Temperaturen und längeren Kochzeiten ist dies die zuverlässigste Garmethode zum Grillen zarter und saftiger Fleischstücke.

**Verwendung Des Rückseitigen Brenners:** (Falls vorhanden) Warmhalterost vor dem Betrieb entfernen, die extreme Hitze schadet dem Warmhalterost. Grillroste sollten ebenfalls entfernt werden, falls sie die Verwendung des rehspeißes behindern. Der rückseitige Brenner ist für den Einsatz mit dem Drehspieß-Set konzipiert, dass über Ihren Napoleon-Händler bezogen werden kann. Siehe Anweisungen für die Montage des Drehspieß-Sets. Zur Verwendung des Gegengewichts den Drehspießmotor vom Gasgrill entfernen. Den Spieß mit dem Grillgut in die beiden Einhängevorrichtungen an der Innenseite des Grills einlegen. Das Fleischstück wird naturgemäß mit der schwereren Seite nach unten hängen. Arm und Gewicht des Gegengewichts anziehen, bis der Arm nach oben zeigt. Das Gegengewicht nach innen oder außen verschieben, bis das Gewicht auf dem Spieß gleichmäßig verteilt ist und dann festdrehen. Den Motor wieder aufsetzen und mit dem Grillen beginnen. Einen Auffangbehälter unter dem Grillgut platzieren. Der aufgefangene Bratensaft kann zum Bepinseln des Fleisches oder zur Herstellung einer köstlichen Soße verwendet werden. Falls nötig, zusätzliche Flüssigkeit zum Übergießen oder Bepinseln zufügen. Rückseitigen Brenner zunächst auf hoher Flamme betreiben, bis das Fleisch angebräunt ist und dann die Flamme reduzieren, um das Fleisch fertig zu garen. Auf diese Art wird das Grillgut versiegelt und das Fleisch bleibt zart und saftig. Die Grillhaube stets geschlossen halten, um ein optimales Kochergebnis zu erzielen. Braten und Geflügel erhalten eine knusprigbraune Kruste und das Fleisch bleibt zart und saftig. Beispielsweise benötigt ein Brathuhn mit einem Gewicht von 1,5 kg mit dem Drehspieß ca. 1½ Stunden (bei mittlerer bis hoher Flamme). Weitere Anweisungen finden Sie im Napoleon-Grillkochbuch mit exklusiven Rezepten für alle Gelegenheiten.



**VORSICHT!** Barbecuesoße und Salz kann korrosiv wirken und schnell zur Korrosion des Grills und einzelner Bauteile führen, wenn keine regelmäßige Reinigung durchgeführt wird.



**Smoken mit dem Räucher-Einsatz:** Der Smoker-Brenner wurde speziell für die Verwendung des Räucher-Einsatzes entwickelt. Folgen Sie den Anweisungen zur Entzündung des Smoker-Brenners und heizen Sie ihn etwa 10 Minuten vor, wobei sie die Hitze reduzieren.

Öffnen Sie die Räucher-Lade und füllen Sie eine kleine Menge Räucherchips in die geschlossene Abteilung des Räucher-Einsatzes. Um ein „Überräuchern“ zu verhindern, verwenden Sie zu Beginn lieber weniger Räucherchips. Für ein Räucheraroma benötigen Sie lediglich einen Hauch von Rauch, eine intensive Rauchentwicklung ist nicht gewünscht und führt zu einem unangenehm rußigen Geschmack des Grillguts. Um das Räucheraroma zu intensivieren, weichen Sie die Räucherchips vor dem Gebrauch in Wasser oder anderen empfohlenen Flüssigkeiten ein.

Räucherholz gibt es in vielerlei Formen: Scheite, Späne, Holzmehl und Pellets. Unterschiedliche Geschmacksrichtungen von Apfelbaum bis Walnuss verleihen dem Grillgericht eine individuelle Note. Verwenden Sie nur unbehandeltes Holz oder, noch besser, verwenden Sie die hochwertigen Napoleon Räucherchips Ihres Napoleon Fachhändlers.

**Verwendung der Seitenbrennerflamme:** Der Seitenbrenner kann wie ein normales Gaskochfeld verwendet werden und eignet sich zur Zubereitung von Soßen, Suppen usw. Der Gasgrill sollte so positioniert werden, dass der Seitenbrenner möglichst windgeschützt ist, da starke Winde die Leistung des Seitenbrenners beeinträchtigen können. Seitenbrenner NICHT zum Frittieren verwenden, da das Kochen mit Öl zu gefährlichen Bedingungen führen kann. Der empfohlene Durchmesser für Pfannen und Töpfe ist 20 bis 25 cm.



**ACHTUNG!** Niemals Speisen direkt auf den Seitenbrennerring auflegen und grillen. Er ist nur zur Verwendung mit Töpfen und Pfannen vorgesehen.

**ACHTUNG!** Seitenbrenner nicht schließen, solange der Grill in Betrieb oder noch heiß ist.

**ACHTUNG!** Seitenbrenner NICHT zum Frittieren verwenden, da das Kochen mit Öl zu gefährlichen Bedingungen führen kann.

## Infrarotwärme

Die meisten Menschen wissen nicht, dass unsere natürliche Wärmequelle, die Sonne, die Erde hauptsächlich mit Infrarotenergie wärmt. Infrarotenergie ist eine Form der elektromagnetischen Energie mit einer etwas größeren Wellenlänge als die Farbe Rot des Lichtspektrums, aber einer etwas geringeren als die der Radiowellen. Diese Energie wurde 1800 von Sir William Herschel entdeckt, der das Sonnenlicht mit Hilfe eines Prismas in seine Bestandteile zerlegte. Er wies nach, dass die meiste Wärme des Sonnenlichts im Bereich neben dem roten Ende des Spektrums, wo das Licht nicht mehr sichtbar ist, zu finden ist. Dies ist der Bereich der Infrarotenergie. Die meisten Materialien absorbieren Infrarotstrahlung in einem breiten Wellenlängenbereich und werden dadurch erwärmt. Ebenso fühlen wir Wärme auf der Haut, wenn wir uns dem Sonnenlicht aussetzen. Die Infrarotstrahlung der Sonne wandert durch das Vakuum des Weltraums und die Atmosphäre und dringt in unsere Haut ein. Die Bewegung der Moleküle der Haut wird verstärkt, was zu stärkerer interner Reibung führt und Wärme erzeugt, die wir fühlen können. Nahrungsmittel können genauso mit Infrarotstrahlung erhitzt werden. Dabei ist Holzkohle die herkömmliche Art des Infrarotkochens, mit der wir alle vertraut sind. Die glühenden Kohlen geben Infrarotenergie an das Grillgut ab, wobei der Trocknungseffekt sehr gering ist. Bratensaft und Öle, die dem Grillgut entweichen, tropfen hinunter in die Holzkohle, sodass ein Rauch aufsteigt, der dem Grillgut den herrlichen Grillgeschmack verleiht. Die Infrarotbrenner der Napoleon-Grills funktionieren genauso. Jeder der Brenner hat 10.000 Löcher. Aus jedem Loch tritt eine Flamme aus, die die Keramikoberfläche zur Rotglut bringen. Die glühende Oberfläche strahlt Infrarotwärme auf das Grillgut ab, ohne dass man sich mit Holzkohle herumschlagen muss. Außerdem ist die Wärme gleichmäßig über die ganze Fläche verteilt und einfacher zu regeln als ein Holzkohlefeuer. Zum schnellen Anbraten können die Brenner ganz aufgedreht und zum langsamen Kochen heruntergestellt werden. Wie schwierig das bei einem Holzkohlefeuer ist, wissen wir alle. Normale Gasbrenner erhitzen das Grillgut auf andere Weise. Die Luft um den Brenner herum wird durch den Verbrennungsprozess erhitzt und steigt zum Grillgut auf, das dann gebraten wird. Die Grilltemperatur ist geringer, was für Meeresfrüchte und Gemüse ideal ist. Kurz gesagt: Napoleons Infrarotbrenner erzeugen eine Anbrathitze, die zu saftigeren, geschmackvolleren Steaks, Hamburgern und sonstigen Fleischgerichten führt. Grillzeiten und Grilltipps finden Sie in der Infrarot-Grilltabelle.

# Infrarot-Grilltabelle

DE

Grillgut	Brennerstufe	Grillzeit	Empfehlungen
Steak, 2,5 cm dick	2 Min. pro Seite auf höchster Stufe 2 Min. pro Seite auf höchster Stufe, dann mittlere Stufe 2 Min. pro Seite auf höchster Stufe, dann mittlere Stufe	Englisch: 4 Min. Medium: 6 Min. Durch: 8 Min.	Durchwachsenes Fleisch eignet sich am besten zum Grillen. Das Fett macht das Fleisch zart und saftig.
Hamburger, 1.27 cm dick	2 Min. pro Seite auf höchster Stufe 2,5 Min. pro Seite auf höchster Stufe 3 Min. pro Seite auf höchster Stufe	Englisch: 4 Min. Medium: 5 Min. Durch: 6 Min.	Wieweit der Hamburger durch sein soll, kann man auch durch seine Dicke bestimmen. Hickoryspäne im Räucherkasten des Napoleon-Grills gibt dem Fleisch einen exotischen Geschmack.
Hähnchenstü cke	2 Min. pro Seite auf höchster Stufe, dann mittlere bis unterste Stufe	20-25 Min.	Gelenk zwischen Ober- und Unterschenkel auf der hautlosen Seite $\frac{3}{4}$ durchschneiden, damit das Fleisch flach auf dem Grill liegt. So wird es schneller und gleichmäßiger gegrillt. Mesquitspäne im Räucherkasten des Napoleon-Grills verleiht dem Fleisch einen ganz besonderen Geschmack.
Schweinekotelett	Mittlere Stufe	6 Min. pro Seite	Vor dem Grillen überschüssiges Fett abschneiden. Dicke Koteletts werden zarter.
Spare Ribs	5 Min. auf höchster Stufe, dann niedrige Stufe zum Garen	20 Min. pro Seite, oft wenden	Magere, fleischige Spareribs sind die besten. Solange grillen, bis das Fleisch sich leicht von den Knochen lösen lässt.
Lammkotelett	5 Min. auf höchster Stufe, dann mittlere Stufe zum Garen	15 Min. pro Seite	Vor dem Grillen überschüssiges Fett abschneiden. Dicke Koteletts werden zarter.
Würstchen	Mittlere bis niedrigste Stufe	4-6 Min.	Dicke Würstchen sind am besten geeignet. Vor dem Grillen der Länge nach aufschlitzen.

# Reinigungsanleitung



**VORSICHT!** Beim Reinigungsanleitung sollten Arbeitshandschuhe und eine Schutzbrille getragen werden.

**VORSICHT!** Zum Reinigen müssen die Brenner ausgeschaltet sein. Heiße Flächen nicht ungeschützt berühren. Grill an einen Ort stellen, wo das Reinigungsmittel keinen Schaden anrichten kann (nicht auf die Terrasse oder den Rasen). Kein Teil dieses Gasgrills darf mit Ofenreiniger gesäubert werden. Grillroste oder andere Teile des Gasgrills nicht in einem selbstreinigenden Ofen säubern. Gasgrill regelmäßig reinigen, da Barbecue-Sauce und Salz das Metall angreifen.

**Hinweis:** In chlorid- und sulfidhaltigen Umgebungen kann auch rostfreier Stahl oxidieren oder Flecken aufweisen. Dazu gehören insbesondere Küstenregionen und andere extreme Bedingungen, z. B. die nähere Umgebung von Pools und Whirlpools, die von hoher Wärme und Luftfeuchtigkeit gekennzeichnet ist. Diese Flecken werden manchmal mit Rost verwechselt, aber sie können einfach entfernt und vermieden werden. Reiben Sie alle rostfreien Stahlflächen alle 3 bis 4 Wochen mit Leitungswasser und einem Reinigungsmittel für rostfreien Stahl ab, um die Entstehung von Flecken zu verhindern.

**Roste Und Warmhaltefläche :** lassen sich am besten beim Vorwärmen des Grills mit einer weichen Messingdrahtbürste säubern. Für schwer zu entfernende Flecke Stahlwolle verwenden. Rostfreistahlroste erhalten bei normalem Betrieb des Grills wegen der hohen Temperatur eine permanente Verfärbung.

**Bedienleiste:** Die Bedienleistenbeschriftung wird direkt auf die Edelstahloberfläche gedruckt und bei sachgerechter Pflege bleibt der Aufdruck dunkel und lesbar. Zur Reinigung der Bedienleiste warme Seifenlauge oder Edelstahlreiniger verwenden. Edelstahlreiniger ist bei Ihrem Napoleon-Händler erhältlich. Keine scheuernden Reinigungsmittel zur Reinigung von Edelstahlflächen verwenden. Dies kann vor allem auf der Bedienleiste zum Abrieb der aufgedruckten Beschriftung führen.

**Das Innere Des Gasgrills:** Grillroste entfernen. Gusseiserne Seiten und die Innenseite der Haube mit einer weichen Messingdrahtbürste von losem Schmutz befreien. Anbratplatten mit einem Spachtel oder Schaber abkratzen, und die Asche mit einer Drahtbürste beseitigen. Anbratplatten abnehmen, und die Brenner mit einer Messingdrahtbürste reinigen. Den Schmutz aus dem Inneren des Gasgrills in die Tropfpfanne fegen. Anbratplatten wieder einsetzen und auf richtige Positionierung achten (siehe Zusammenbauanleitung).



**WARNUNG!** Fettansammlungen können zu Bränden führen.

**Tropfpfanne:** zum Reinigen herausziehen. Sie sollte nach vier- bis fünfmaligem Benutzen des Grills ausgeleert werden. Das Fett läuft durch die unter dem Gasgrill befindliche Tropfpfanne und sammelt sich in einer Einweg-Fettschale unterhalb der Tropfpfanne. Eine zu große Ansammlung von Fett stellt eine Feuergefahr dar. Tropfpfanne nicht mit Alufolie oder Sand auskleiden, da das Fett am Durchfließen gehindert wird. Pfanne mit einem Spachtel oder Schaber auskratzen; Inhalt in die Einweg-Fettschale fegen. Schale je nach Häufigkeit der Benutzung alle zwei bis vier Wochen auswechseln. Ersatzschalen gibt es beim Napoleon-Händler.

**Reinigen Der Aussenseite Des Gasgrills:** Lackierte, Porzellan- oder Rostfreistahlteile nicht mit Scheuermitteln säubern. Die Porzellanemaille ist besonders vorsichtig zu behandeln. Die Emaillbeschichtung ist wie Glas und platzt beim Anschlagen leicht ab. Emaill-Reparaturmaterial ist von Ihrem Napoleon-Händler erhältlich. Außenflächen am besten in handwarmem Zustand mit warmem Seifenwasser reinigen. Rostfreistahl mit einem entsprechenden Reinigungsmittel oder einem nicht scheuernden Reinigungsmittel säubern. Stets in Strukturrichtung wischen. Keine Stahlwolle verwenden, da sie Kratzspuren hinterlässt. Rostfreistahl verfärbt sich unter Hitze goldfarben oder braun. Diese Verfärbung ist normal und beeinträchtigt die Leistung des Grills nicht.

**Lichter:** Das Glas kann mit warmem Seifenwasser und einem weichen, sauberen Tuch gereinigt werden. Für hartnäckige Flecken verwenden Sie eine kleine Menge eines milden Reinigers. Verwenden sie keine aggressiven Reiniger oder Tücher – das kann Kratzer und Schäden an der Linse verursachen.

# Wartungs Anleitung

Der Gasgrill sollte jährlich von einem zugelassenen Wartungsdienst überprüft und gewartet werden.

Brennbare Materialien, Benzin und andere brennbare Dämpfe und Flüssigkeiten müssen entfernt vom Gasgrill gelagert werden. Luftwege zur Belüftung und zum Brenner nicht blockieren. Lüftungslöcher des Gasflaschenschanks (an den Grillwagenseiten und der Vorder- und Rückseite des unteren Regalbodens) stets frei von Schmutz und Ablagerungen halten.



**VORSICHT!** Beim Reinigungsanleitung sollten Arbeitshandschuhe und eine Schutzbrille getragen werden.

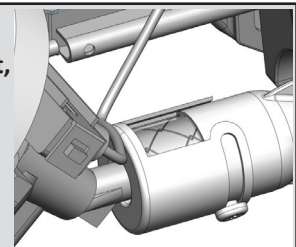
**VORSICHT!** Gaszufuhr vor den Wartungsarbeiten abstellen und Gerät von der Gaszufuhr trennen. Grill vor dem Warten abkühlen lassen, damit es nicht zu Verbrennungen kommt. Jährlich und nach Auswechseln eines Gasbauteils eine Leckageprüfung durchführen.

**Brenner:** sind aus dickwandigem Rostfreistahl 304 hergestellt. Wegen der extremen Hitze und der Umwelteinflüsse treten trotzdem Korrosionen auf. Korrosion der Oberflächen mit einer Messingdrahtbürste entfernen. Verstopfte Auslässe mit einer geöffneten Heftklammer freimachen. Auslässe dabei nicht vergrößern.

**VORSICHT!** Passen Sie Von Den Spinnen Auf

Spinnen und Insekten werden von Propan- und Erdgasgeruch angezogen. Damit sie im Brenner keine Nester bauen, ist der Lufteinlass mit einem Insektengitter versperrt, womit das Problem jedoch nicht 100%ig gelöst ist. Ein Spinnennetz oder Nest verbrennt mit einer weichgelben oder orangefarbenen Flamme, oder es kommt zu einem Feuer (Flammenrückschlag) an der Luftzufuhr unter dem Bedienbrett. Damit das Innere eines Brenners gereinigt werden kann, muss er aus dem Gasgrill ausgebaut werden. Schraube in der Mitte des Brenners lösen. Brenner am hinteren Teil nach oben und herausheben. Innere des Brenners mit einer flexiblen Spezialbürste zum Reinigen von Venturirohren säubern. Den gelösten Schmutz durch den Gaseinlass aus dem Brenner schütteln. Das Insektengitter muss sauber, dicht und frei von Fusseln und sonstigem Schmutz sein. Auch die Ventildüsen müssen sauber sein. Es ist darauf zu achten, dass die Düsen beim Reinigen nicht vergrößert werden. Brenner wieder einbauen. Beim Einbau muss die Düse in den Brenner geführt werden. Brennerabdeckung aufsetzen und Befestigungsschrauben festschrauben.

**ACHTUNG!** Bei der erneuten Installation des gereinigten Brenners unbedingt sicherstellen, dass das Ventil/die Öffnung in das Brennerrohr führt, bevor der Gasgrill angezündet wird. Wenn das Ventil sich nicht innerhalb des Brennerrohrs befindet, kann es zu Brand oder Explosion kommen.



**Schutz Der Infrarotbrenner:** Die Infrarotbrenner des Grills haben normalerweise eine lange Lebensdauer. Damit diese lange Lebensdauer gewährleistet ist, muss verhindert werden, dass die Keramikbeschichtung reißt. Im Folgenden wird beschrieben, wie Rissbildung zu verhindern ist. Schäden, die wegen Nichtbeachtung dieser Hinweise auftreten, sind nicht von der Garantie gedeckt.

1. Stöße mit harten Gegenständen – Die Keramik darf nicht mit harten Gegenständen angestoßen werden. Beim Abnehmen und Einsetzen der Grillroste ist Vorsicht geboten. Fällt solch ein Gegenstand auf die Keramik, würde diese wahrscheinlich reißen.

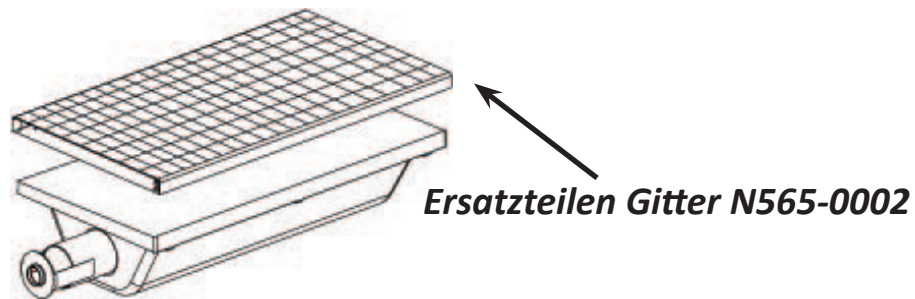
2. Wasser und sonstige Flüssigkeiten – Wenn viel kalte Flüssigkeit mit der heißen Keramikfläche in Berührung kommt, kann diese reißen. Darum darf kein Wasser auf den Grill geschüttet werden, um ein Aufflammen zu löschen. Wenn bei abgestelltem Grill die Keramik oder das Innere eines Brenners nass wird, kann die Keramik durch den Druck des Wasserdampfs reißen, wenn der Grill wieder benutzt wird. Wiederholtes Nässen der Keramik lässt diese aufquellen und expandieren. Dieses Expandieren setzt die Keramik unter Druck, sodass sie reißen und abbröckeln kann.

i) Kein Wasser auf den Grill werfen, um ein Aufflammen zu löschen.

ii) Grill nicht im Freien betreiben, wenn es regnet.

iii) Sollte einmal Wasser im Grill stehen (z. B. durch Regen oder Sprinkler), ist zu untersuchen, ob die Keramik sich mit Wasser vollgesogen hat. Ist die Keramik nass, Brenner aus dem Grill ausbauen. Umgekehrt hinlegen, damit das Wasser ablaufen kann. Im Hause gründlich trocknen lassen.

3. Schlechte Belüftung des Grills – Die heiße Luft muss aus dem Grill entweichen können, damit die Brenner richtig funktionieren. Bei schlechter Belüftung kommt es zu Sauerstoffmangel, was zu Flammenrückschlägen führt. Wenn dies wiederholt passiert, reißt die Keramik. Darum sollte niemals mehr als 75% der Grillfläche mit Vollmetall (d.h. von einem Grillblech oder einer großen Pfanne) abgedeckt sein.



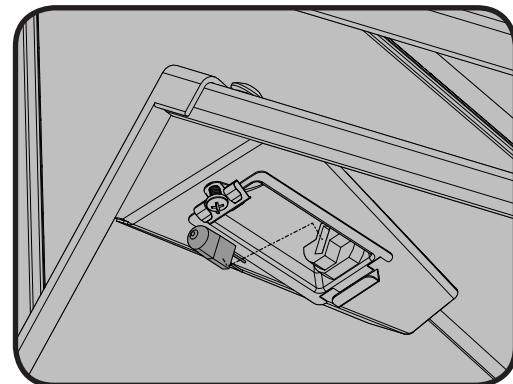
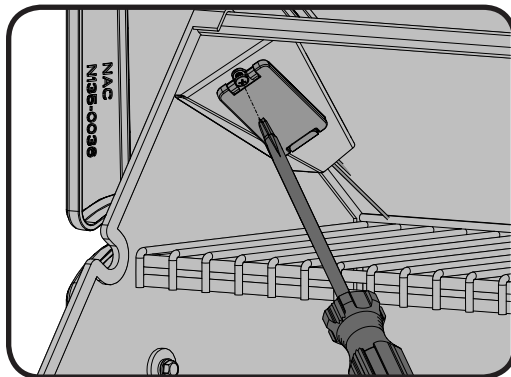
**VORSICHT!** Schlauch : auf Abrieb, Schmelzstellen, Einschnitte und Risse untersuchen. Wenn einer dieser Defekte vorliegt, darf der Gasgrill nicht benutzt werden. Schlauch von Ihrem Napoleon-Händler oder einem Fachbetrieb auswechseln lassen.

**Alugussteile:** regelmäßig mit warmem Seifenwasser säubern. Normalerweise rostet Aluminium nicht. Durch die hohen Temperaturen und die Umwelteinflüsse kann es jedoch zu einem Oxidieren der Oberfläche kommen. Dies äußert sich als weiße Flecke auf dem Guss. Gussteile säubern und mit feinem Sandpapier abschmirgeln. Schmirgelstaub abwischen, und Gussteile mit temperaturbeständiger Grillfarbe lackieren. Benachbarte Teile abdecken, damit sie nicht mit Farbe besprüht werden. Gemäß Anweisung auf der Farbdose trocknen lassen.



**VORSICHT!** Verwenden Sie beim Wechseln der Halogenlampe in Ihrem Grill stets Schutzhandschuhe.

**Lichter:** Um die Halogenlampe in Ihrem Grill zu ersetzen, müssen Sie zuerst die Glasabdeckung aus der Fassung entfernen. Um das zu tun, entfernen Sie die Philips Schraube, die die Fassung fixiert. Schnipsen Sie die Glasabdeckung inklusive Metallteil aus dem Gehäuse und **verhindern Sie eine Berührung der Halogenleuchte mit der bloßen Hand. Das Fett der Haut kann die Lebensdauer der Halogenleuchte verringern.** Ziehen Sie mit Sicherheitshandschuhen die alte Leuchte aus dem Sockel und ersetzen Sie sie durch eine neue Halogenleuchte. Setzen Sie die Abdeckung durch Einrasten wieder ins Gehäuse ein und bringen Sie die Laschen an der Vorderseite wieder in Position.



# Problembehandlung

Problem	Mögliche Ursachen	Lösung
Geringe Hitze / Niedrige Flamme trotz Reglerposition „high“.	Bei Propangas – unsachgemäßer Anzünd-/Brennvorgang.  Unsachgemäßes Vorheizen.	Stellen Sie sicher, dass die Anzünde-Anleitung genau befolgt wird. Alle Regler müssen sich in Off-Position befinden, wenn das Gasflaschenventil aufgedreht wird. Drehen Sie das Ventil langsam auf, sodass sich der Druck gleichmäßig verteilen kann. Siehe auch: Anzünde-Anleitung.  Heizen Sie den Grill mit beiden Hauptbrennern auf höchster Stufe für 10 bis 15 Minuten vor.
Übermäßiges Aufflammen/ ungleichmäßige Hitze.	Flammenschutzsätze sind falsch installiert.  Unsachgemäßes Vorheizen.  Beträchtliche Fett- und Asche-Ablagerungen auf den Flammenschutzsätzen und Fettauffangschalen.	Stellen Sie sicher, dass die Flammenschutzsätze mit den Löchern nach vorne und den Schlitzen nach unten eingesetzt sind. Siehe Montageanleitung.  Heizen Sie den Grill mit beiden Hauptbrennern auf höchster Stufe für 10 bis 15 Minuten vor.  Reinigen Sie die Flammenschutzsätze und Fettauffangschalen regelmäßig. Legen Sie nichts mit Alufolie aus. Folgen Sie den Reinigungsanleitungen.
Brenner brennen mit gelber Flame, begleitet von Gasgeruch.	Spinnennetz oder andere Fremdkörper oder unsachgemäße Luftklappeneinstellung.	Brenner entfernen und gründlich reinigen. Siehe Allgemeine Wartungsanweisungen. Luftklappen entsprechend der Anweisung für Verbrennungslufteinstellungen leicht öffnen (Diese Tätigkeit muss von einem professionellen Gasinstallateur durchgeführt werden).
Brenner last sich nicht mit der Zündvorrichtung, aber mit einem Streichholz entfachen.	Jet-Fire Ventil ist schmutzig oder verstopft.	Jet-Fire Ventil mit einem weichen Pinsel reinigen.
Summender Regler.	Normale Erscheinung an heißen Tagen.	Das stellt keinen Defekt dar. Das Summen wird durch interne Vibrationen des Reglers verursacht und stellt keine Beeinträchtigung der Grilleistung oder Sicherheit dar. Summende Regler werden nicht ersetzt.
Brenner entzünden sich nicht via Crossover-Zündung.	Verschmutzte oder korrodierte Querzündungsbleche.	Reinigen oder bei Bedarf ersetzen.
„Lack“ scheint sich auf der Innenseite des Deckels oder der Grillhaube abzuschälen.	Fettablagerungen auf der inneren Oberfläche.	Das ist kein Defekt. Das „Abschälen“ wird durch gehärtete Fette verursacht, die sich in eingetrocknetem Zustand in eine lack-ähnliche Schicht verwandeln und abfallen. Regelmäßiges Reinigen verhindert dies. Siehe Reinigungsanweisungen.
Brennleistung auf hoher Einstellung ist zu schwach (grollendes Geräusch und flackernde blaue Flamme an der Brenneroberfläche).	Zu wenig Gas.  Gaszufuhrschlauch ist eingeklemmt.  Schmutzige oder verstopfte Öffnung.  Spinnennetz oder andere Fremdkörper im Venturirohr.  Propangas-Regler ist in „low-flow“ Einstellung.	Gaslevel in der Gasflasche prüfen.  Gaszufuhrschlauch entsprechend positionieren.  Brenneröffnung reinigen.  Venturirohr reinigen.  Stellen Sie sicher, dass die Anzünde-Anleitung genau befolgt wird. Alle Regler müssen sich in Off-Position befinden, wenn das Gasflaschenventil aufgedreht wird. Drehen Sie das Ventil langsam auf, sodass sich der Druck gleichmäßig verteilen kann. Siehe auch: Anzünde-Anleitung.



Problem	Mögliche Ursachen	Lösung
Infrarotbrenner (sofern vorhanden) flammt während der Nutzung auf, macht plötzlich laute Zisch-Geräusche, gefolgt von einem kontinuierlichen Geräusch wie dem einer Lötlampe, und Brenner wird dunkler.	<p>Keramikplatte ist mit Ablagerungen und Fetten beschmutzt. Auslässe sind verstopft.</p> <p>Brenner überhitzt aufgrund nicht ausreichender Luftzufuhr (z.B. aufgrund von zu vielen Pfannen oder Töpfen auf der Grillfläche).</p> <p>Zersprungene Keramikplatte.</p> <p>Beschädigte Dichtungen rund um die Keramikplatte oder fehlerhafte Schweißnaht im Brennergehäuse.</p>	<p>Schalten Sie den Brenner ab und lassen Sie ihn mindestens 2 Minuten abkühlen. Entzünden Sie den Brenner erneut und lassen Sie ihn auf hoher Stufe für mindestens 5 Minuten brennen oder solange, bis die Keramikplatte gleichmäßig rot glüht.</p> <p>Stellen Sie sicher, dass nicht mehr als 75% der Grillfläche mit Grillgeschirr bedeckt ist. Schalten Sie den Brenner ab und lassen Sie ihn mindestens 2 Minuten abkühlen. Entzünden Sie den Brenner erneut.</p> <p>Lassen Sie den Brenner abkühlen und suchen Sie genau nach Sprüngen in der Keramikplatte. Sollten Sie einen Bruch entdecken, kontaktieren Sie Ihren Napoleon Fachhändler, um einen Ersatzbrenner zu bestellen.</p> <p>Kontaktieren Sie Ihren Napoleon Fachhändler, um einen Ersatzbrenner zu bestellen.</p>
Elektronische Zündung funktioniert nicht.	<p>Keine Stromzufuhr.</p> <p>Durchgebrannte Sicherung.</p> <p>Fehlerhafter Transformator.</p> <p>Anschlüsse am Schalter oder Schaltplatte sind korrodiert oder locker.</p> <p>Fehlerhafter Zünder.</p> <p>Verschmutzt oder korrodierte Elektroden.</p>	<p>Stecken Sie das Transformator-Kabel an eine Steckdose an.</p> <p>Ersetzen Sie die Sicherung an der Ausgangsleitung des Transformators.</p> <p>Überprüfen Sie die Spannung des Transformators, die 12 Volt Wechselstrom betragen sollte. Ersetzen Sie ihn, falls nötig.</p> <p>Reinigen Sie die Verbindungen und stellen Sie sicher, dass diese korrekt angeschlossen sind. Der Zugang zur Schaltplatte ist unter der Elektro-Abdeckung an der linken Unterschrankseite zu finden.</p> <p>Ersetzen Sie den Zünder unter der Elektro-Abdeckung.</p> <p>Reinigen oder bei Bedarf ersetzen.</p>
Grilllicht und Bedienelemente leuchten nicht.	<p>Unit not connected to power. Keine Stromzufuhr.</p> <p>Durchgebrannte Sicherung.</p> <p>Unpassender Transformator.</p> <p>Anschlüsse am Schalter oder Schaltplatte sind korrodiert oder locker.</p> <p>Fehlerhafter Zünder.</p> <p>Verschmutzt oder korrodierte Elektroden.</p> <p>Lampen des Grilllichts durchgebrannt.</p>	<p>Stecken Sie das Transformator-Kabel an eine Steckdose an.</p> <p>Ersetzen Sie die Sicherung an der Ausgangsleitung des Transformators.</p> <p>Überprüfen Sie die Spannung des Transformators, die 12 Volt Wechselstrom betragen sollte. Ersetzen Sie ihn, falls nötig.</p> <p>Reinigen Sie die Verbindungen und stellen Sie sicher, dass diese korrekt angeschlossen sind. Der Zugang zur Schaltplatte ist unter der Elektro-Abdeckung an der linken Unterschrankseite zu finden.</p> <p>Ersetzen Sie den Zünder unter der Elektro-Abdeckung.</p> <p>Reinigen oder bei Bedarf ersetzen.</p> <p>Ersetzen Sie die Leuchtkörper wie in der Bedienungsanleitung, Abschnitt Wartung beschrieben.</p>



**BEWAHREN SIE IHRE QUITTING ALS KAUFNACHWEIS AUF, UM IHREN GARANTIEANSPRUCH ZU VALIDIEREN.**

# BESTELLUNG VON ERSATZTEILEN

## GARANTIE-INFORMATIONEN

MODELL: \_\_\_\_\_

KAUFDATUM: \_\_\_\_\_

SERIENNUMMER: \_\_\_\_\_

(Alle für einen Garantieanspruch benötigten Informationen hier aufzeichnen)

Bevor Sie sich mit dem Kundendienst in Verbindung setzen, besuchen Sie bitte die NAC-Website unter [www.napoleongrills.com](http://www.napoleongrills.com), um ausführlichere Informationen zu Reinigung, Wartung und Pflege, Fehlerbehebung und Ersatzteile zu erhalten. Setzen Sie sich direkt mit dem Werk in Verbindung, um Ersatzteile zu bestellen und Garantieansprüche geltend zu machen. Unser Kundendienst ist zwischen 9 und 15 Uhr Eastern Standard Time erreichbar. Telefonnummer: +1-866-820-8686, Faxnummer: +1-705-727-4282. Zur Bearbeitung eines Garantieanspruchs bitte die folgenden Informationen bereithalten:

1. Modell- und Seriennummer des Geräts
2. Teilenummer und –beschreibung
3. Vollständige Beschreibung des Problems („kaputt“ ist nicht ausreichend)
4. Kaufnachweis (Fotokopie der Rechnung)

In manchen Fällen kann der Kundendienstbeauftragte u. U. die Einsendung der Teile zur Überprüfung im Werk verlangen, bevor Ersatzteile ausgeliefert werden. Die Teile müssen unter Vorauszahlung aller Transportkosten und Angabe der folgenden Informationen an den Kundendienst versandt werden:

1. Modell- und Seriennummer des Geräts
2. Vollständige Beschreibung des Problems („kaputt“ ist nicht ausreichend)
3. Kaufnachweis (Fotokopie der Rechnung)
4. Autorisierungscode für die Rücksendung. Diese erhalten Sie vom Kundendienstmitarbeiter.

Beachten Sie, dass die folgenden Teile nicht unter die Garantie fallen, bevor Sie den Kundendienst kontaktieren:

- Transportkosten, Courtage oder Exportzölle
- Arbeitskosten für Aus- und Einbau
- Telefonkosten für Anrufe zur Diagnose eines Problems
- Verfärbungen von Edelstahlteilen
- Teileversagen aufgrund von mangelnder Reinigung und Pflege, oder Verwendung von falschen Reinigungsmitteln (Ofenreiniger)



**CAUTION!** During unpacking and assembly we recommended you wear work gloves and safety glasses for your protection. Although we make every effort to make the assembly process as problem free and safe as possible, it is characteristic of fabricated steel parts that the edges and corners might be sharp and could cause cuts if handled incorrectly.

### Getting Started

1. Remove all cart panels, hardware, and grill head from carton. Raise lid and remove any components packed inside. Use the parts list to ensure all necessary parts are included.
2. Do not destroy packaging until the grill has been fully assembled and operates to your satisfaction.
3. Assemble the grill where it is to be used, lay down cardboard or a towel to protect parts from being lost or damaged while assembling.
4. **Most stainless steel parts are supplied with a protective plastic coating that must be removed prior to using the grill. The protective coating has been removed from some of the parts during the manufacturing process and may have left behind a residue that can be perceived as scratches or blemishes. To remove the residue, vigorously wipe the stainless steel in the same direction as the grain.**
5. Follow all instructions in the order that they are laid out in this manual.
6. Two people are required to lift the grill head onto the assembled cart.



If you have any questions about assembly or grill operation, or if there are damaged or missing parts please call our Customer Solutions Department at 1-866-820-8686 between 9 AM and 5 PM (Eastern Standard Time).



**ACHTUNG!** Wir empfehlen beim Entpacken des Geräts und bei der Montage Arbeitshandschuhe und eine Schutzbrille zu tragen. Wir unternehmen alle Anstrengungen, den Montageprozess so problemlos und sicher wie möglich zu machen, doch bearbeitete Stahlteile haben üblicherweise scharfe Kanten und Ecken, die zu Schnittverletzungen führen können, wenn sie während der Montage unsachgemäß gehandhabt werden.

### Erste Schritte

1. Alle Paneele für den Wagen, Hardware und Grilleinsatz aus dem Karton entnehmen. Haube öffnen und alle darin verpackten Komponenten entnehmen. Anhand der Stückliste sicherstellen, dass alle nötigen Teile vorhanden sind.
2. Zerstören Sie die Verpackung nicht, bevor der Grill vollständig montiert ist und zu Ihrer Zufriedenheit funktioniert.
3. Den Grill an der Stelle montieren, wo er verwendet werden soll. Legen Sie Pappe oder ein Handtuch zurecht, um während der Montage keine Teile zu verlegen oder zu beschädigen.
4. **Die meisten Edelstahl-Komponenten sind mit einer Plastik-Schutzfolie überzogen, die vor dem ersten Gebrauch des Grills entfernt werden muss. An manchen Stellen wurde die Schutzfolie bereits während des Produktionsprozesses entfernt und kann Rückstände hinterlassen haben, die wie Fehler oder Kratzer im Material aussehen. Um diese Rückstände zu entfernen, wischen Sie einfach mit sanftem Druck in Richtung der Maserung des Materials.**
5. Folgen Sie allen Anweisungen in diesem Handbuch in der angegebenen Reihenfolge.
6. Zwei Personen sind erforderlich, um den Grillaufsatz auf den montierten Wagen zu setzen.



Bei Fragen zur Montage oder zum Betrieb des Grills, oder bei beschädigten oder fehlenden Teilen, wenden Sie sich an unseren Kundendienst unter +1-866-820-8686 zwischen 9 Uhr und 15 Uhr Eastern Standard Time.

### Tools required for assembly (tools not included)

#### Erforderliche Werkzeuge für die Montage (Werkzeuge nicht enthalten)

3/8 (10mm)  
Wrench,  
ratchet or driver  
10 mm  
schraubenschlüssel  
oder ring-  
maulschlüssel



Flat and Phillips  
screwdrivers

Flach- und  
kreuzschlitzschrauben-  
dreher



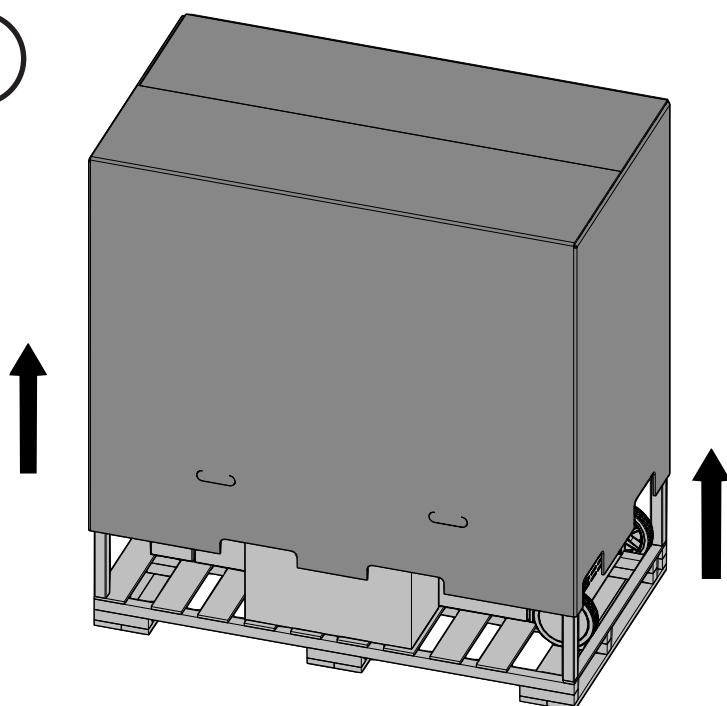
Pliers  
Zangen



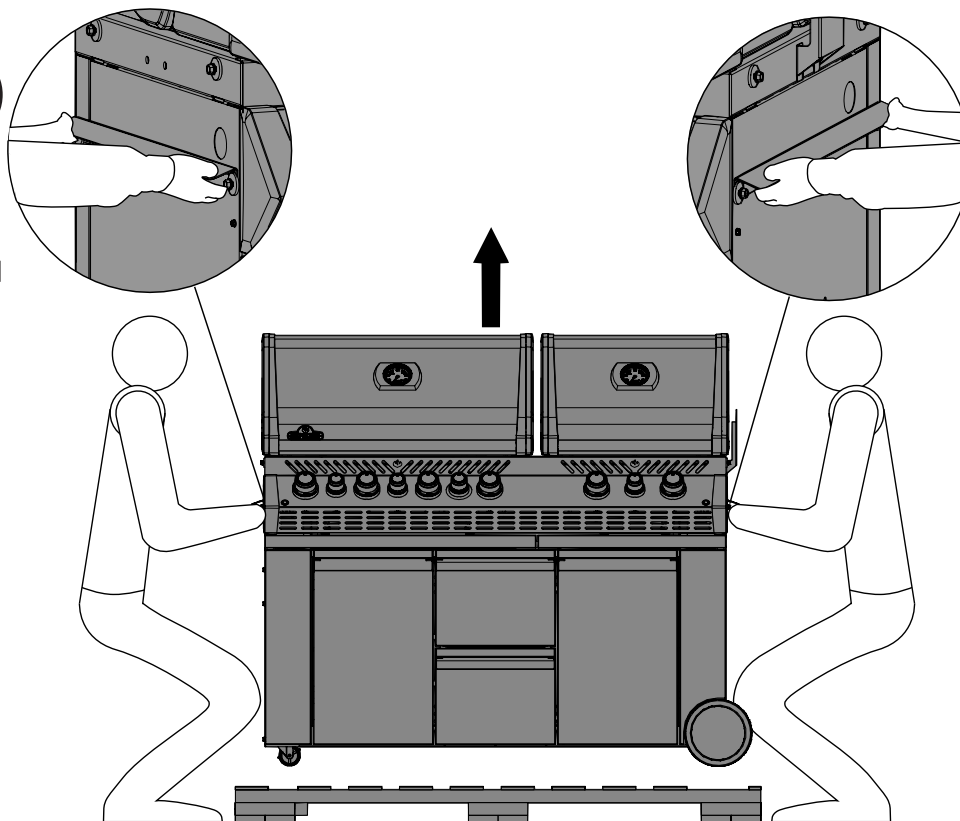
Hammer  
Hamer



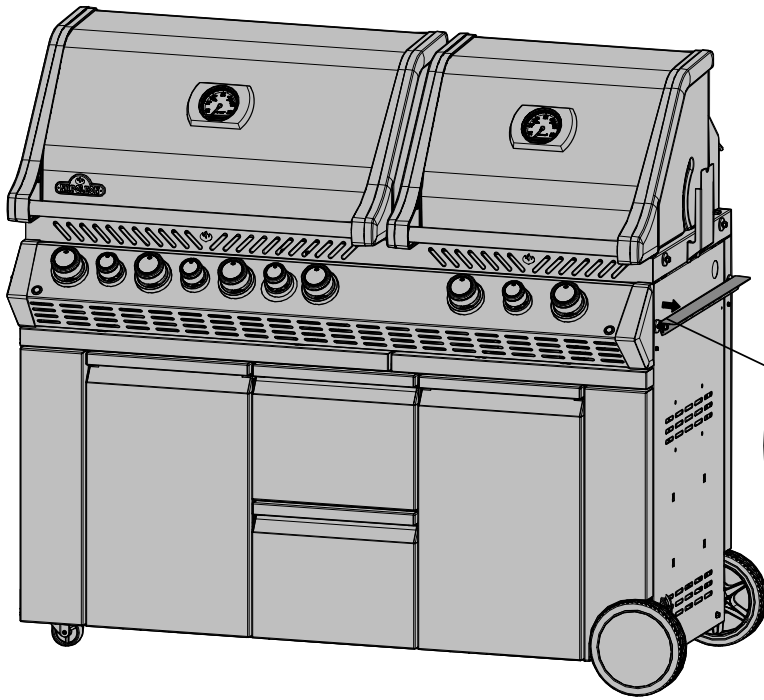
1



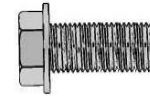
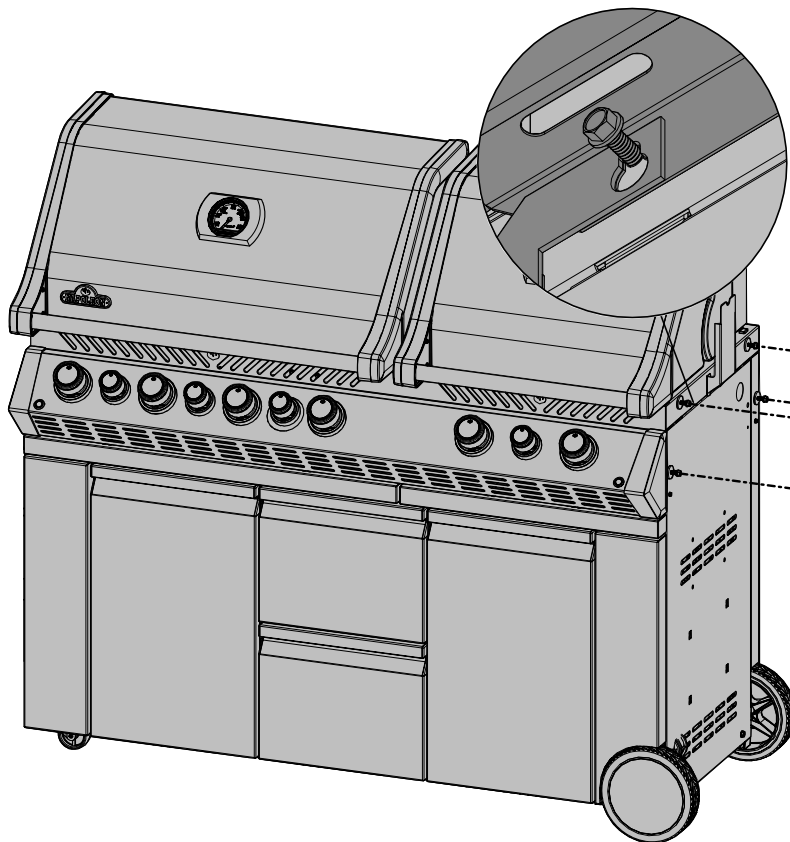
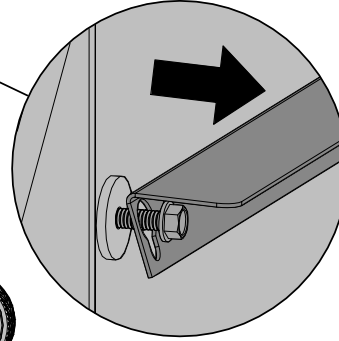
2



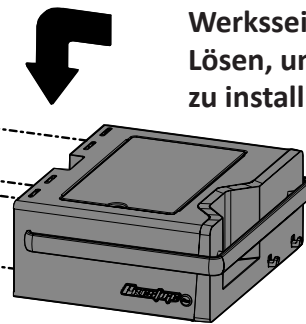
Two people are required  
for this step.  
Für diesen schritt  
Sind zwei personen  
erforderlich.

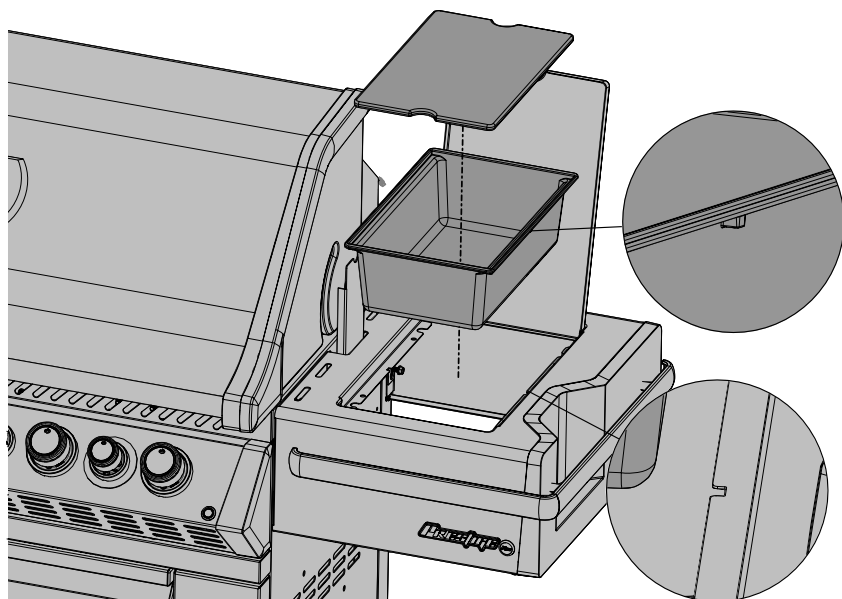


**Remove Lifting Brackets.  
Entfernen Sie die Hebe-Klammern**




**4 x N570-0087 (1/4 -20 X 7/8")  
Pre-installed at factory.  
Loosen to install the side shelf.  
Werkseitig vorinstalliert.  
Lösen, um das Seitenregal  
zu installieren.**





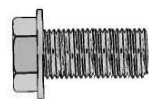
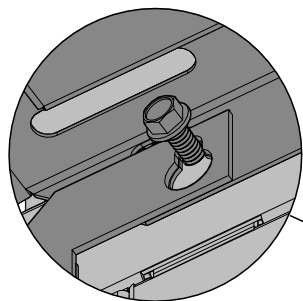
3/8" (10mm)



3/8" (10mm)

Tabs located on either side of ice bucket must engage notches in side shelf.

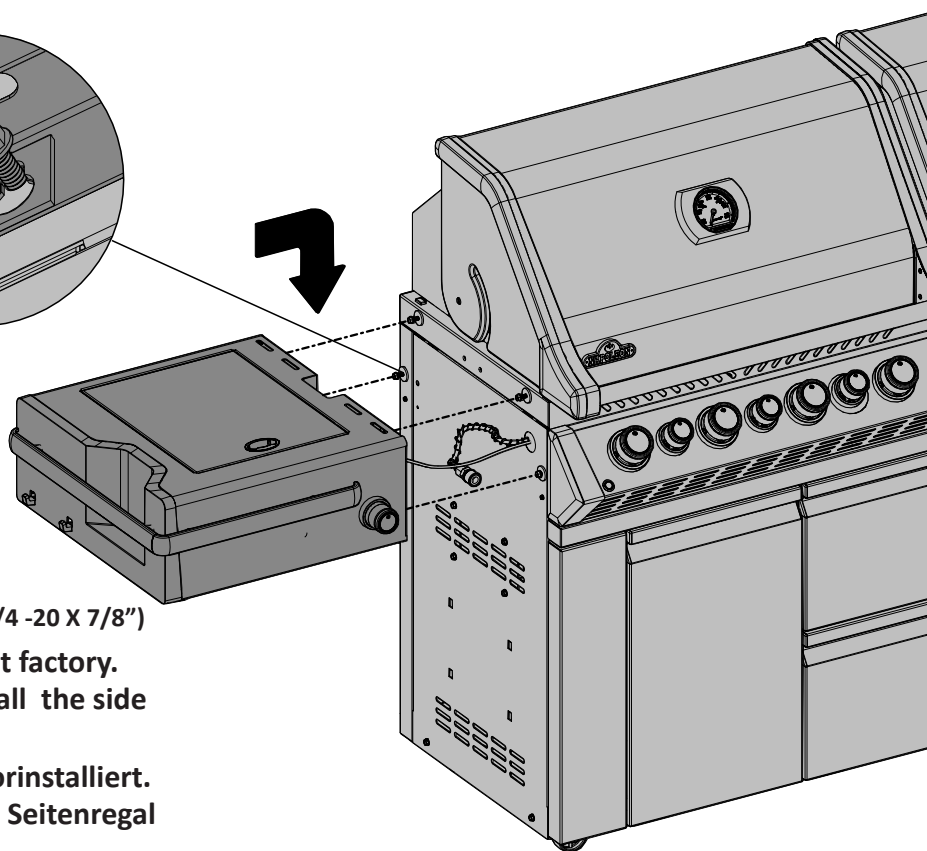
Die gestanzten Streifen an beiden Seiten des Eisbehälters werden schlüssig in die Aussparungen der Seitenablage eingesetzt.



4 x N570-0087 (1/4 -20 X 7/8")

Pre-installed at factory.  
Loosen to install the side shelf.

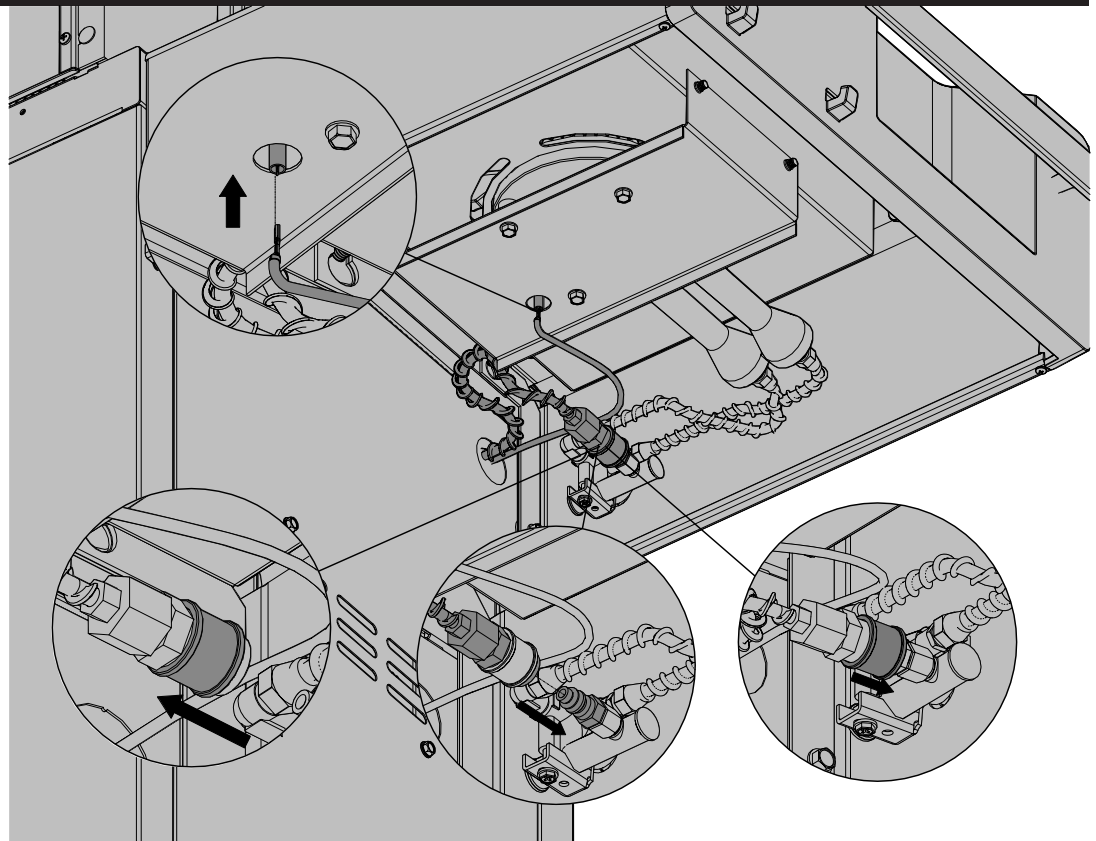
Werkseitig vorinstalliert.  
Lösen, um das Seitenregal zu installieren.



3/8" (10mm)

Attach the wire to  
the side burner  
electrode.

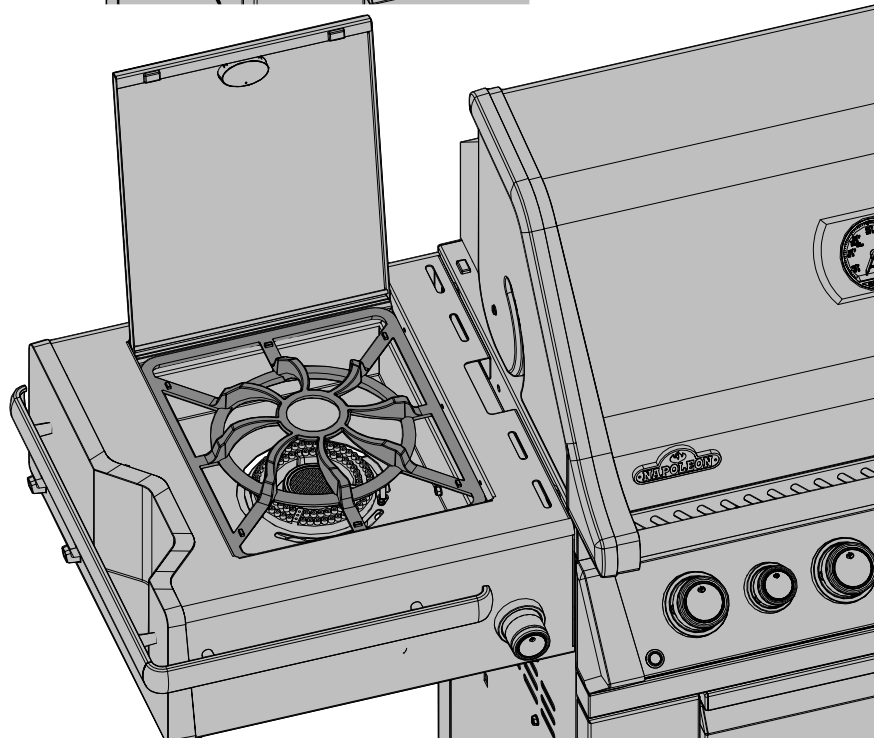
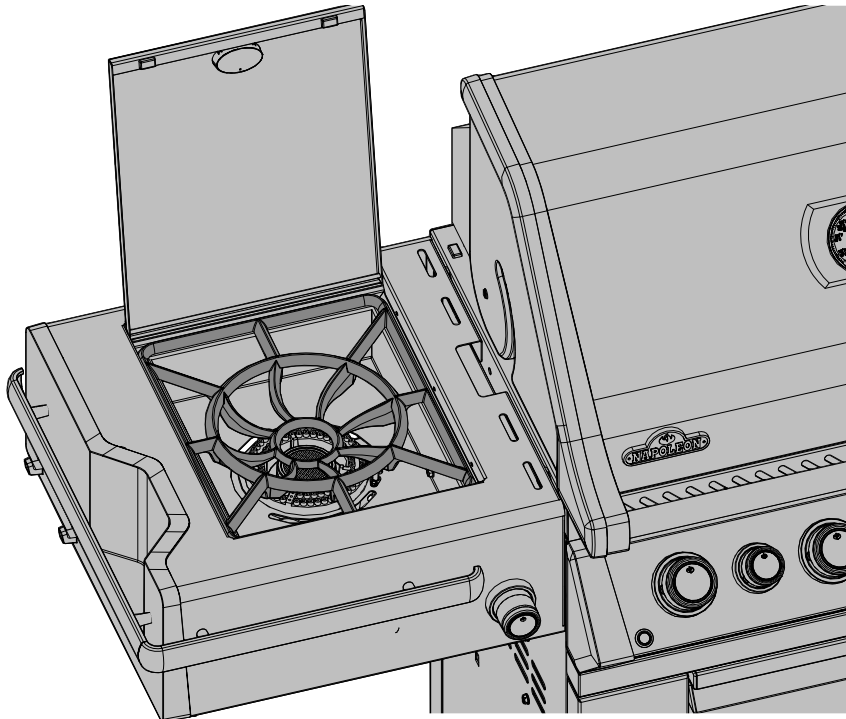
Draht vom  
Verteiler mit der  
Elektrode des  
Seitenbrenners  
verbinden.



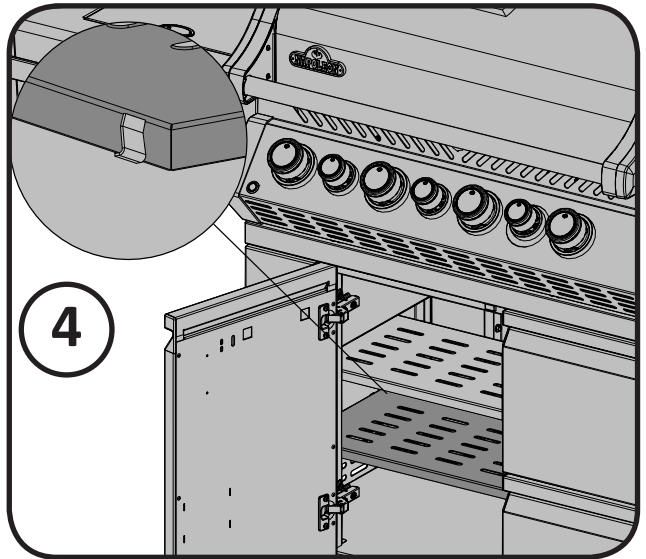
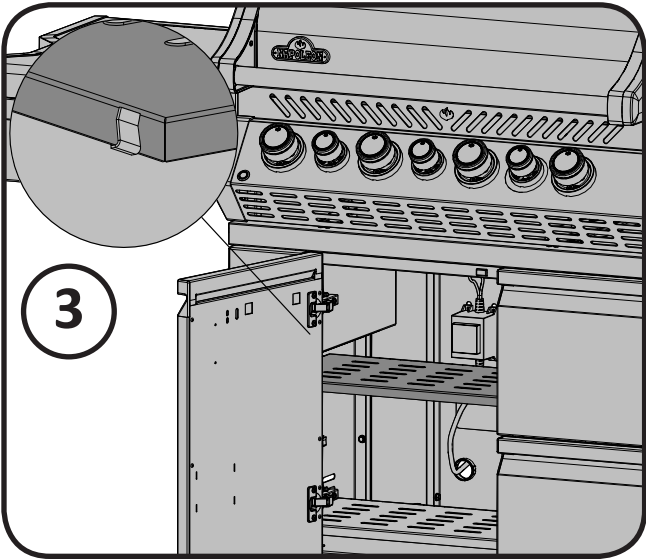
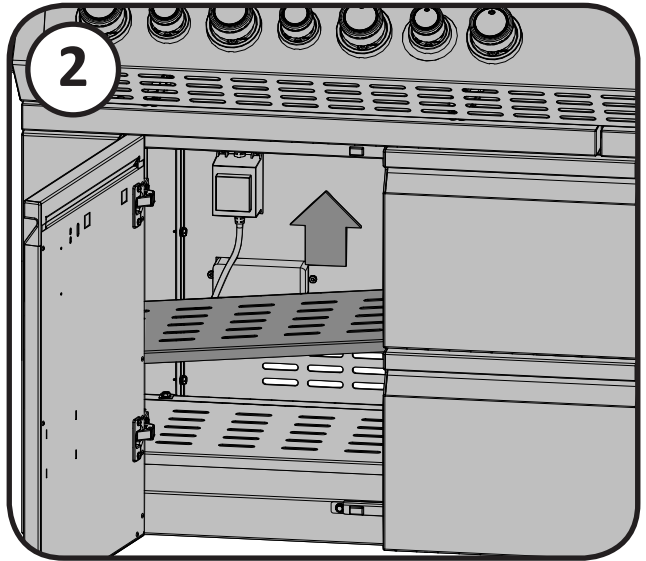
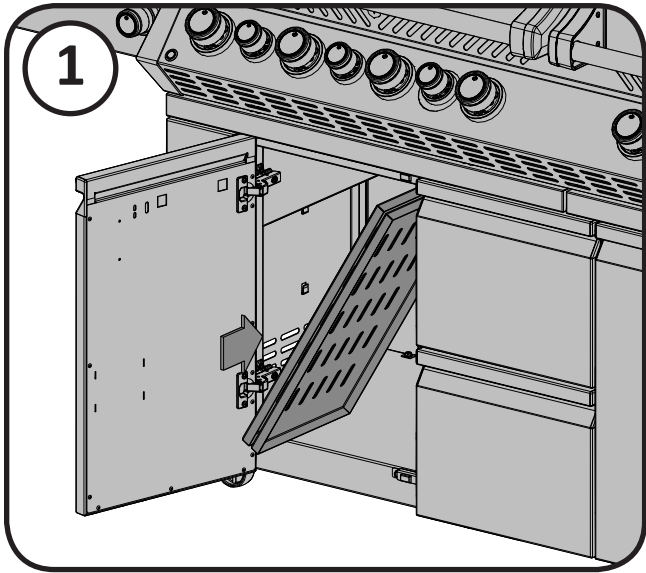
**Cooking Grid Placement:** The cooking grid can be placed at two different heights. The higher height is for use with pots and pans. The lower position can be used with a wok (14" (355mm) recommended). Ensure the burner is off and the grid is cool to the touch before changing between the two heights. The grid must be at the lower position in order to close the lid.

#### **Verwendung des Power-Brenner-Grillrosts**

**Der Grillrost kann auf zwei Arten eingesetzt werden:** Die nach oben gewölbte Seite ist für den Gebrauch von Töpfen und Pfannen geeignet. Die niedrigere Position ist optimal für den Einsatz eines Woks mit ca. 35 cm Durchmesser geeignet. Stellen Sie sicher, dass der Brenner ausgeschaltet und der Grillrost kühl ist, bevor Sie zwischen den beiden Niveaus wechseln. Um die Brennerabdeckung zu schließen, muss sich der Grillrost in der niedrigeren Position befinden.



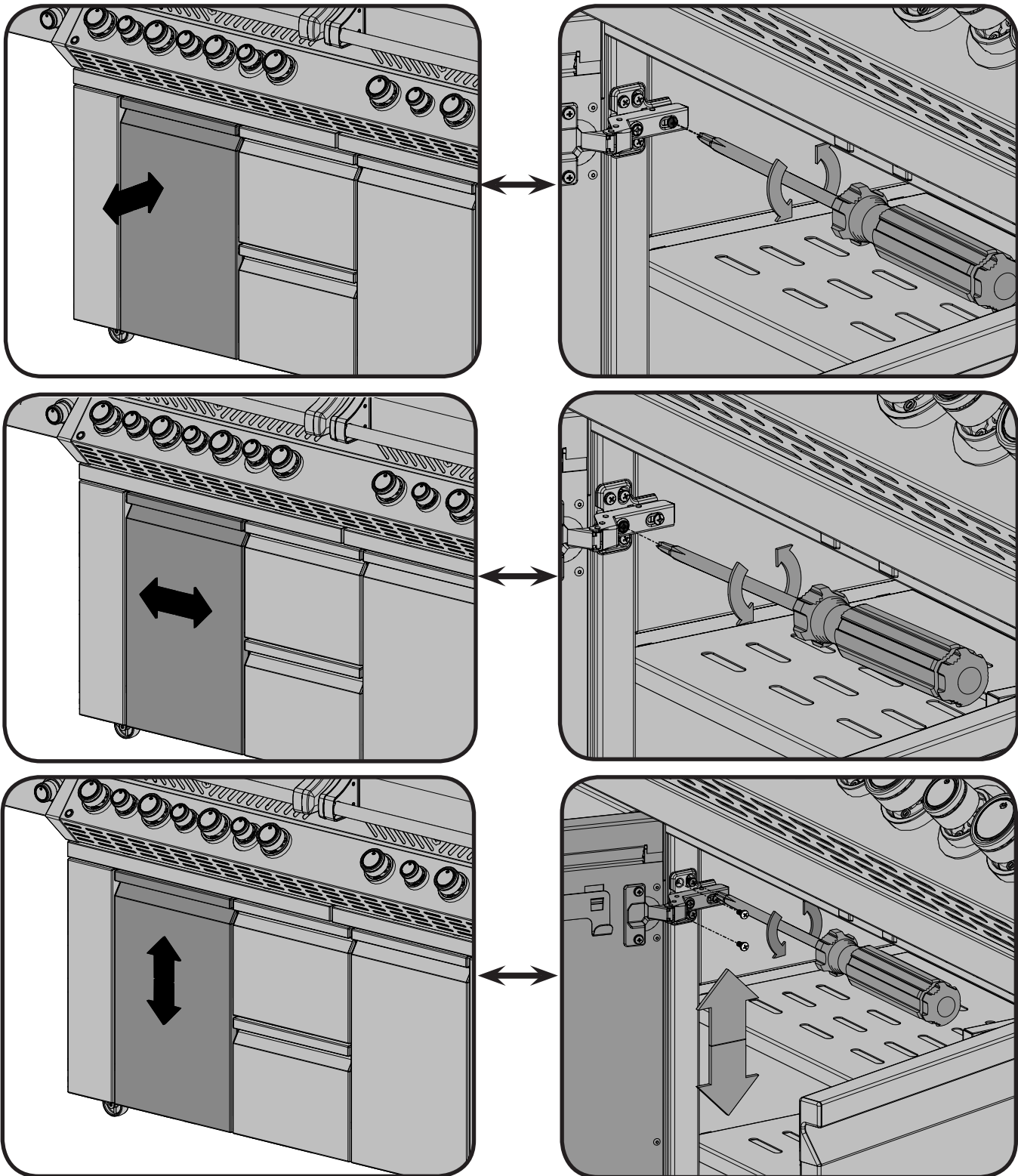


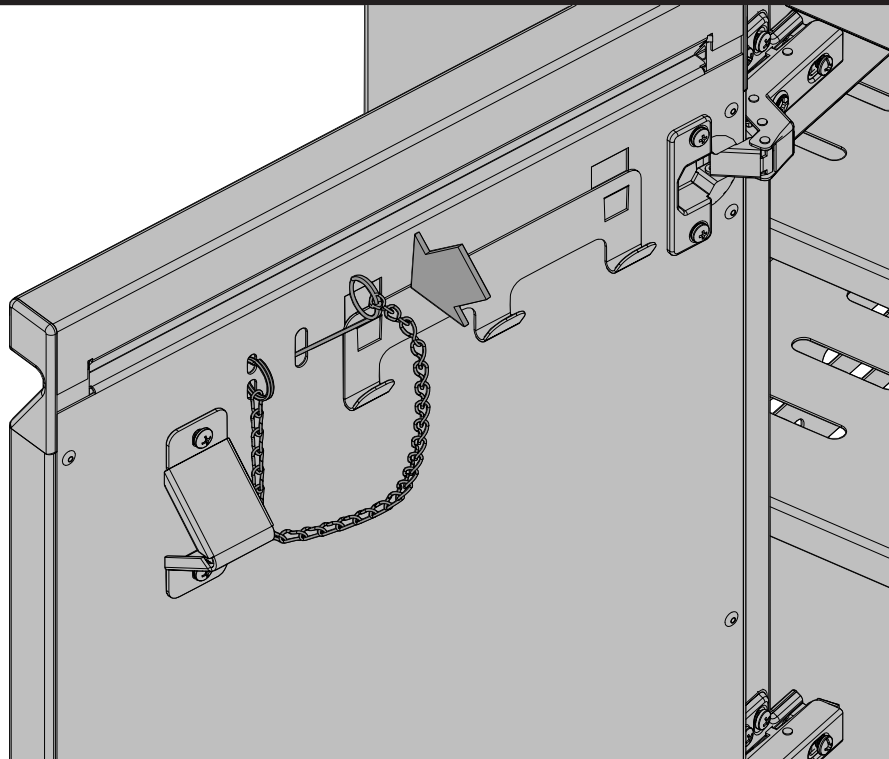
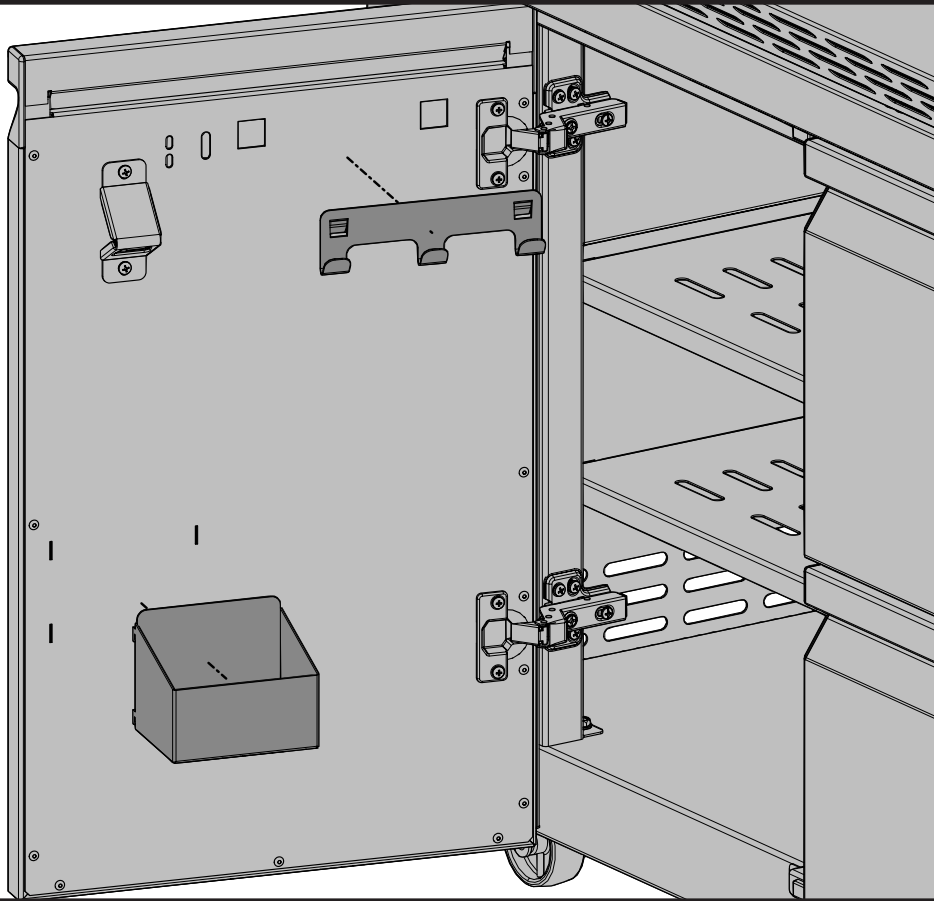


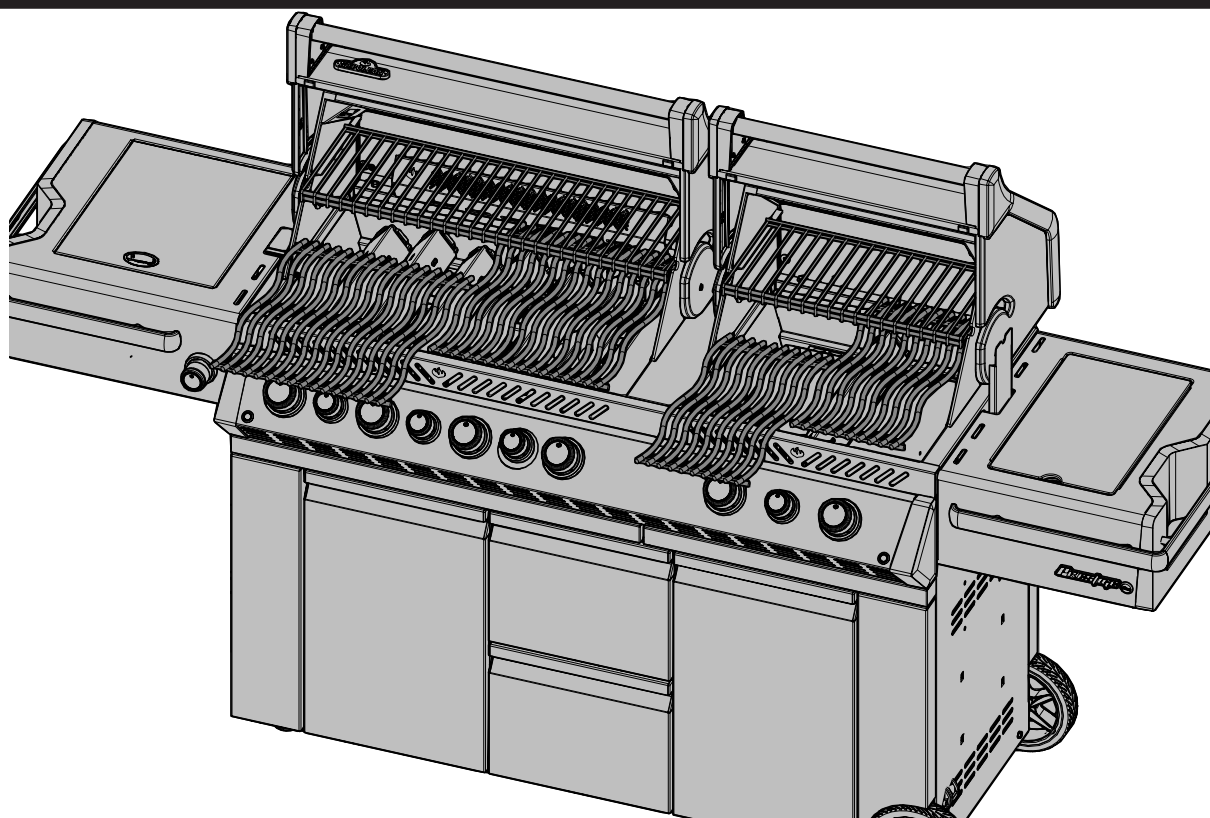
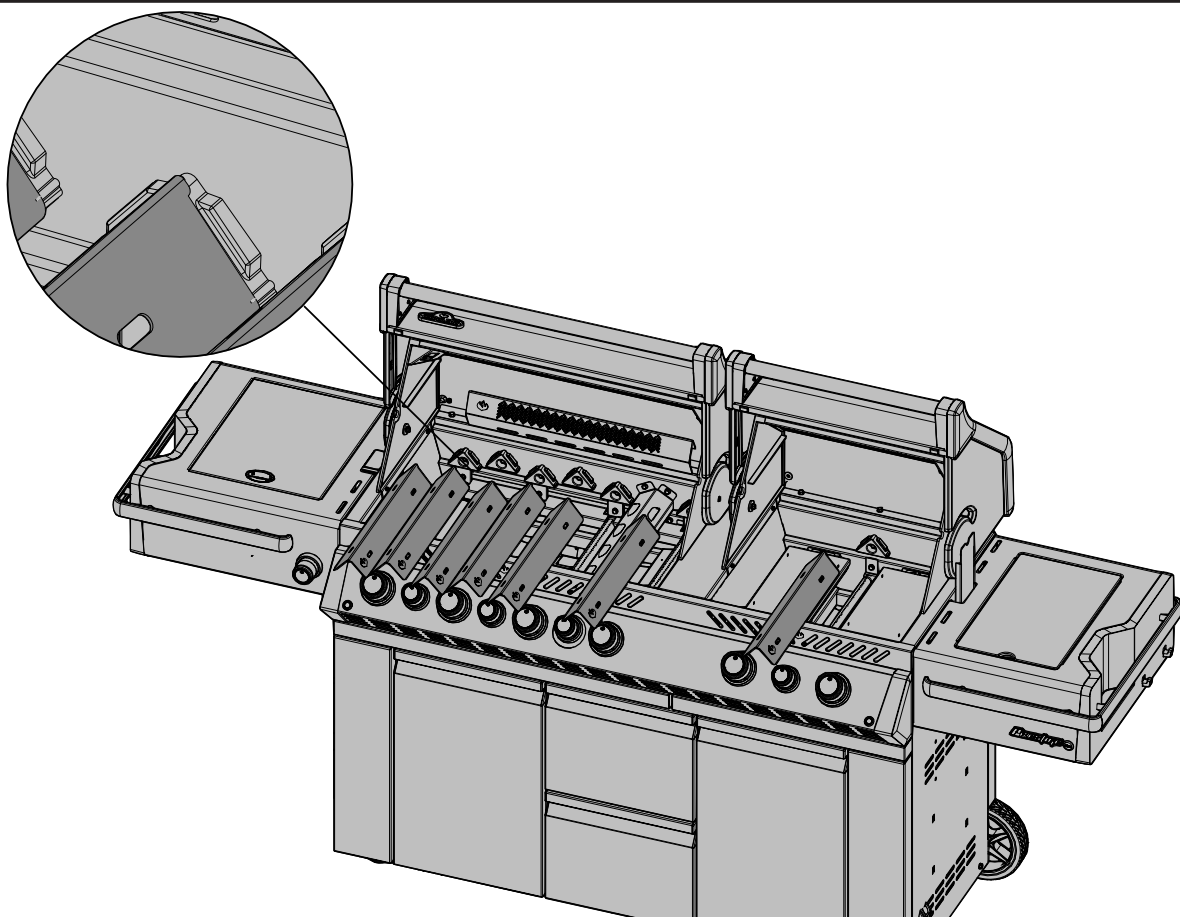


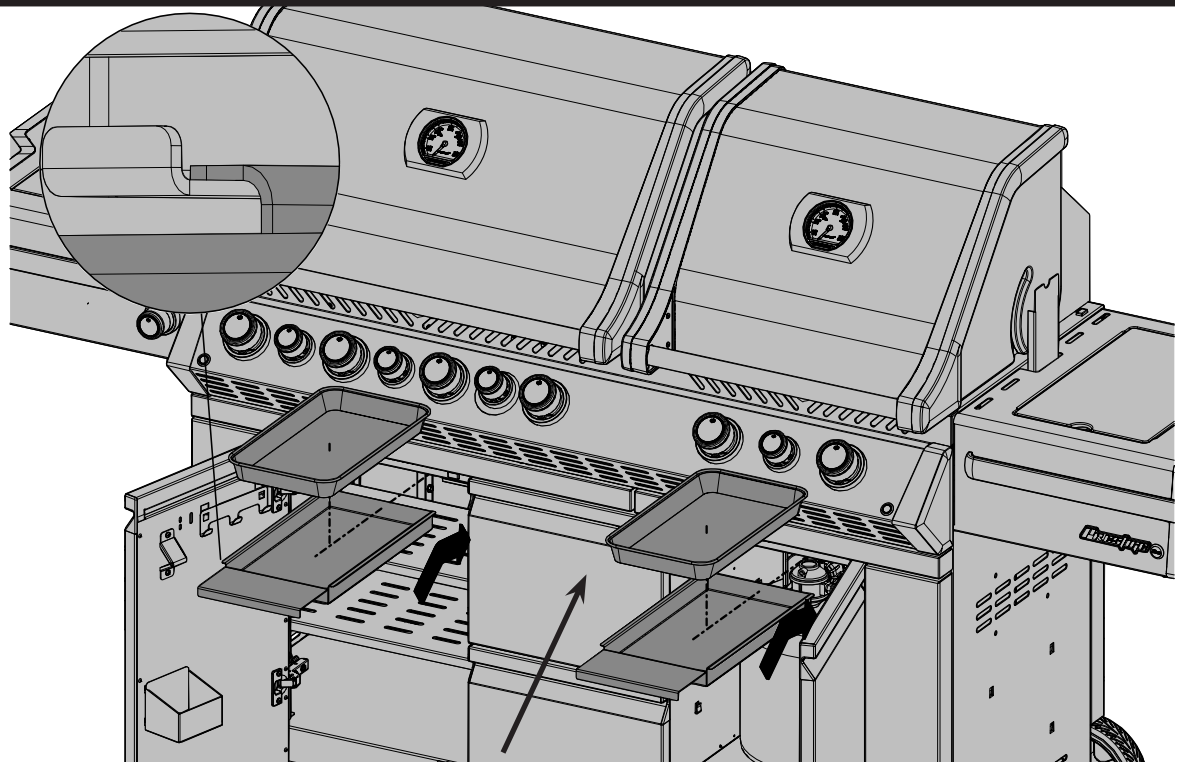
The cabinet doors have been aligned at the factory but hinge adjustment may be necessary if the grill has been moved or is sitting on uneven ground. For easy hinge adjustment follow the illustrations outlined below.

Die Grilltüren wurden werkseitig bereits ausgerichtet. Eine neuerliche Adjustierung kann notwendig sein, wenn der Grill bewegt wurde oder auf unebenem Boden steht. Für eine einfache Adjustierung der Scharniere folgen Sie bitte den folgenden Illustrationen.

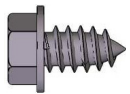






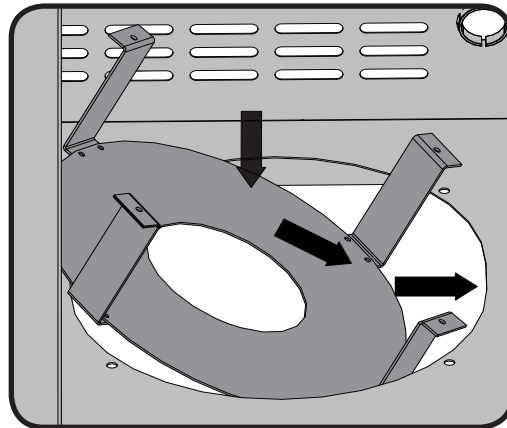


Disposable grease tray  
Fett-Auffangbehälter (Einweg)

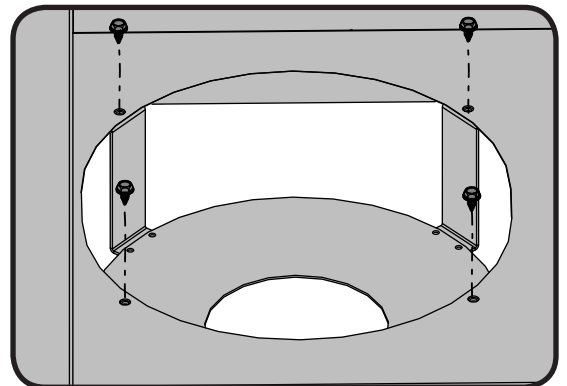
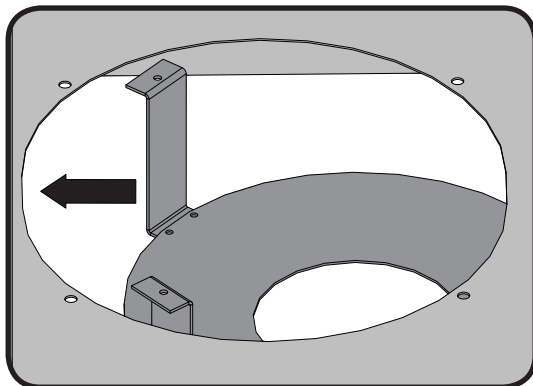


4 X N570-0086 (#14 x 1/2")

Propane Only / Propan Nur



3/8" (10mm)





## **Rotisserie Kit Assembly Instruction**

(optional)

Assemble rotisserie kit components as shown.

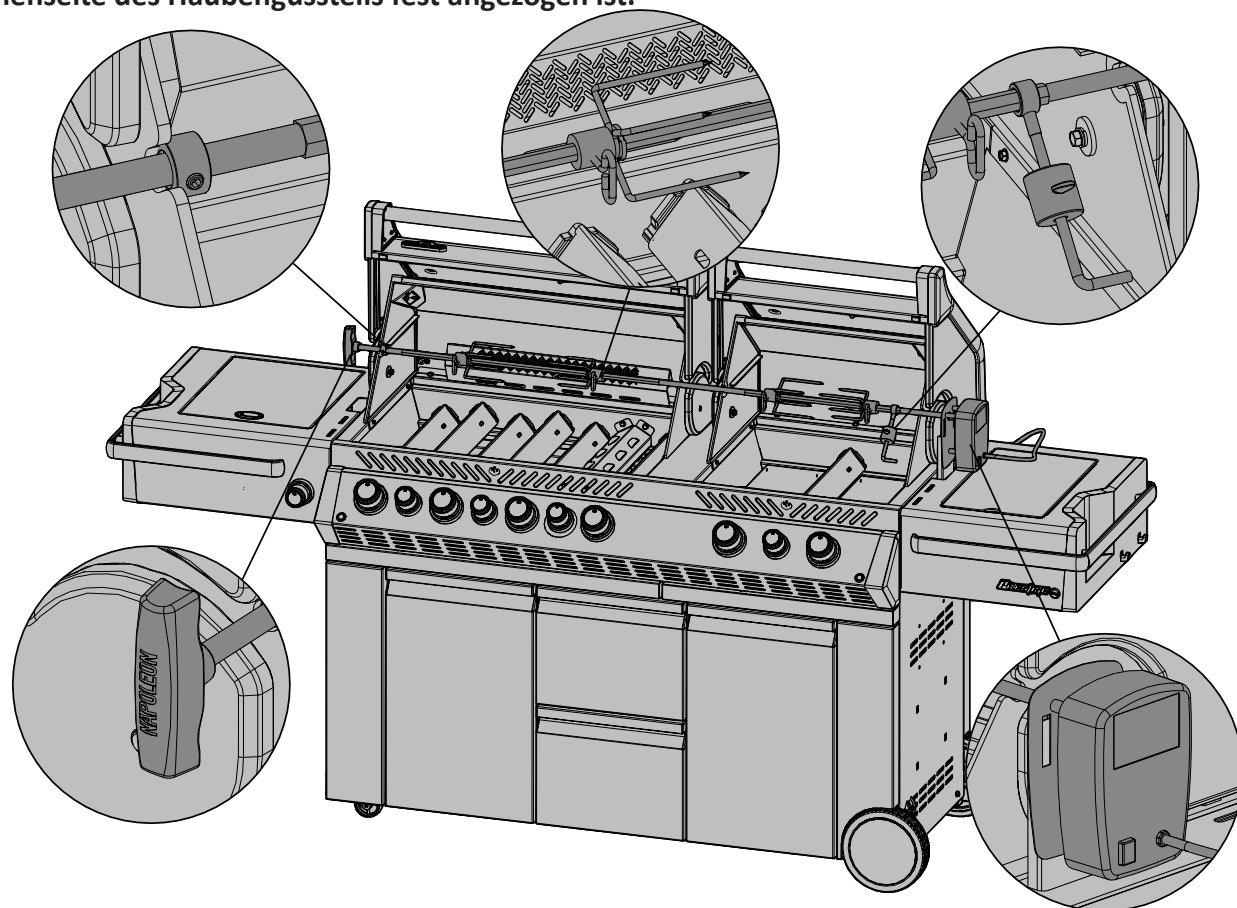
## **Anweisungen für die Montage des Drehspieß-Sets**

(optionale)

Komponenten des Drehspieß-Sets wie gezeigt montieren.

**Ensure stop bushing is tightened on the inside of hood casting.**

**Sicherstellen, dass die Anschlagbuchse an der Innenseite des Haubengussteils fest angezogen ist.**



## ***Providing Power To The Internal Lights***

**CAUTION!** To ensure protection against electric shock, use only a Ground Fault Interrupter (GFI) protected circuit with this outdoor gas cooking appliance.

To provide power to the internal lights, plug the transformer cord into a grounded electrical cord. The light switch located on the control panel allows you to easily turn the internal lights on and off.

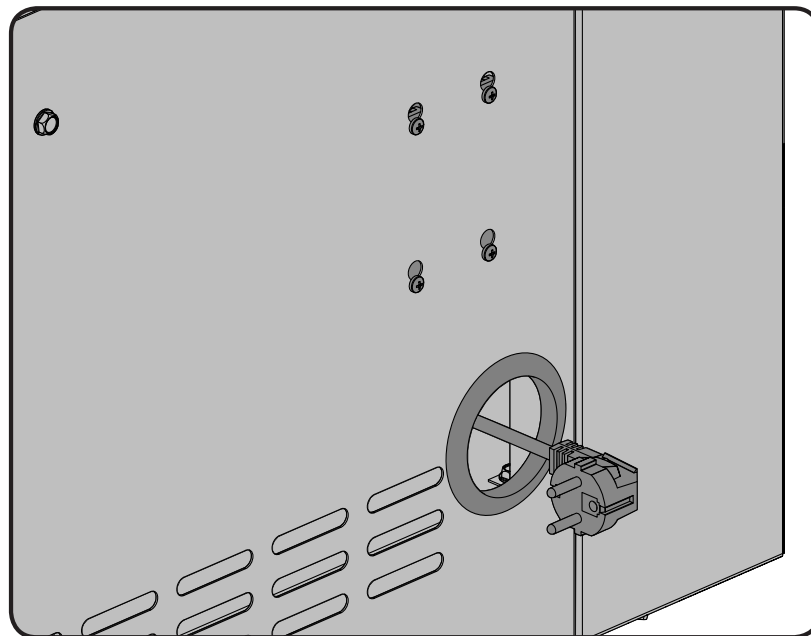
- Ensure the cord is approved and marked for OUTDOOR USE.
- Do not immerse cord or plugs in water or other liquid.
- Keep electrical cords out of pathways.
- Do not let the cord hang over the edge of a table or touch hot surfaces.

## ***Strominstallation für die integrierte Beleuchtung***

**ACHTUNG!** Um sich gegen Stromschlag zu schützen, schließen Sie dieses Gasgrillgerät für den Außengebrauch nur an einen Stromkreis mit GFI-Schutz (Ground Fault Interrupt = Unterbrechung bei Erdschluß) an.

Transformatorkabel mit einem geerdeten Elektrokabel verbinden, um die integrierte Beleuchtung mit Strom zu versorgen. Die integrierte Beleuchtung kann mit dem Lichtschalter auf der Bedienleiste ein- und ausgeschaltet werden.

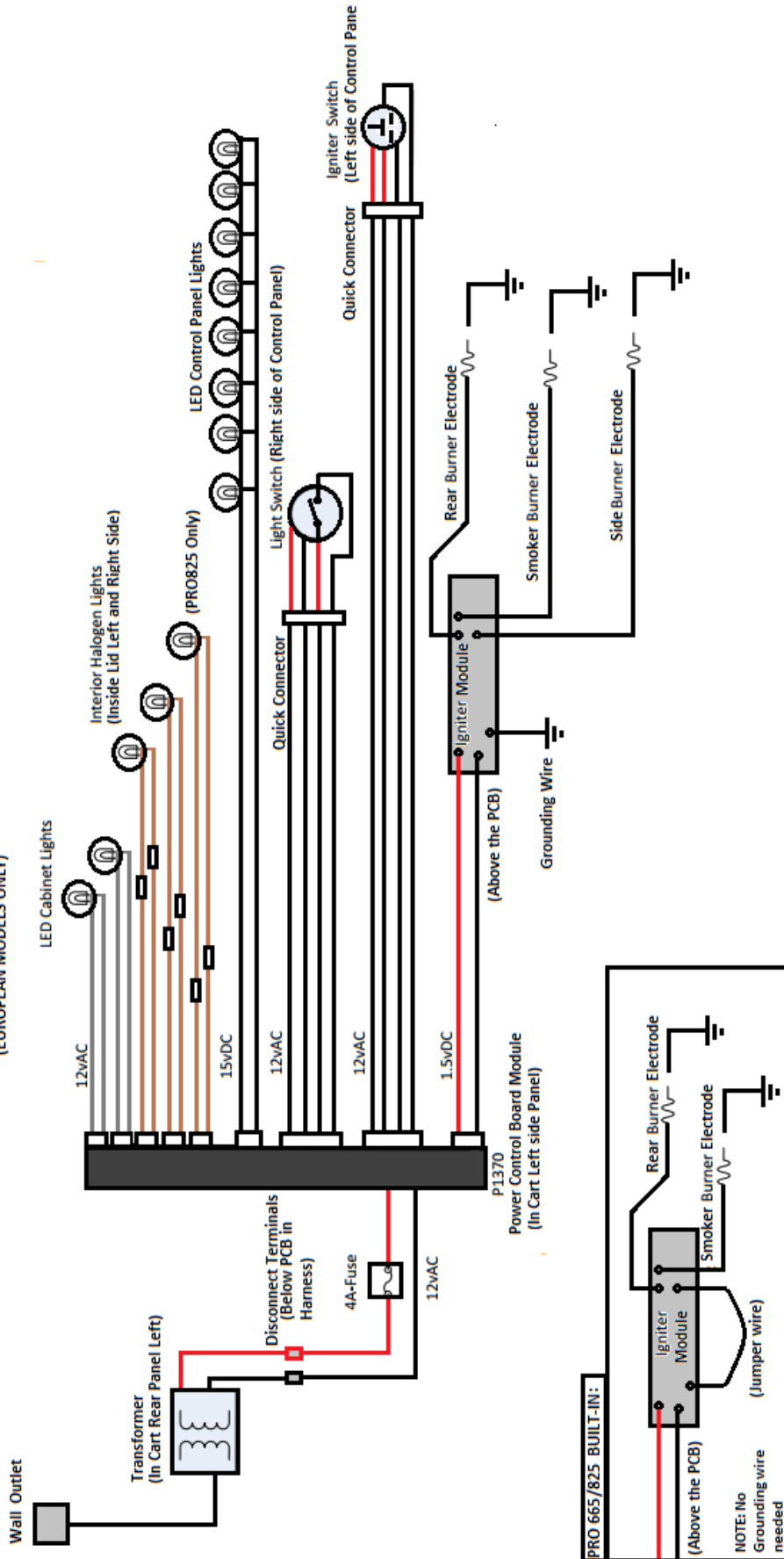
- Sicherstellen, dass das Kabel für die VERWENDUNG IM FREIEN geeignet und entsprechend gekennzeichnet ist.
- Kabel oder Stecker nicht in Wasser oder andere Flüssigkeiten eintauchen.
- Elektrokabel nicht im Gehbereich verlegen.
- Stromkabel nicht vom Rand eines Tisches herunter hängen oder mit heißen Oberflächen in Berührung kommen lassen.





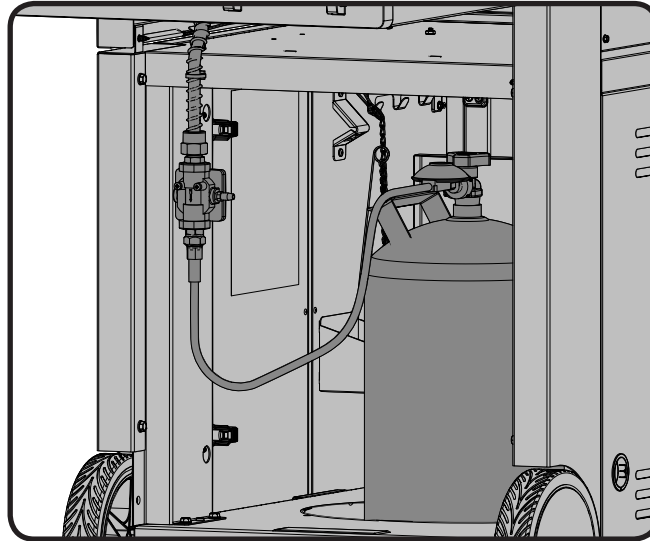
### ELECTRICAL CIRCUIT DIAGRAM

PRO665/825 CART MODEL  
(EUROPEAN MODELS ONLY)



### **Proper Hose Connection (Propane)**

### **Ordnungsgemäßer Schlauchanschluss (Propan)**



All cylinders 7kg or larger must be placed outside the enclosure (under the right side shelf) on level ground. The hose assembly must be routed through the knock out hole in the right side panel.  
Gasflaschen mit einem Gewicht von 7 kg oder mehr außerhalb des Schrankes (unter dem rechten Seitenregal) ebenerdig aufstellen. Die Schlauchinstallation muss durch die vorgestanzte Öffnung im rechten Seitenpaneel erfolgen.



**WARNING!** Ensure the hose does not contact any high temperature surfaces, or it may melt and leak causing a fire.

**WARNUNG!** Den Schlauch von heißen Oberflächen fernhalten. Schmelzen des Schlauchs kann zu Bränden führen.

## Cylinder Connection / Flaschenanschluss

**NOTE!** Some regulator hoses contain a nut and a left hand thread, and others must press ON to connect and OFF to detach. Follow the instructions provided below for the appropriate regulator hose.

**HINWEIS!** Einige Druckminderer-Schlauch-Sets haben eine Mutter und ein Linksgewinde, während bei anderen ON zum Anschluss und OFF zum Abtrennen gedrückt werden muss. Bitte beachten Sie die untenstehenden Anweisungen für das jeweilige Modell.

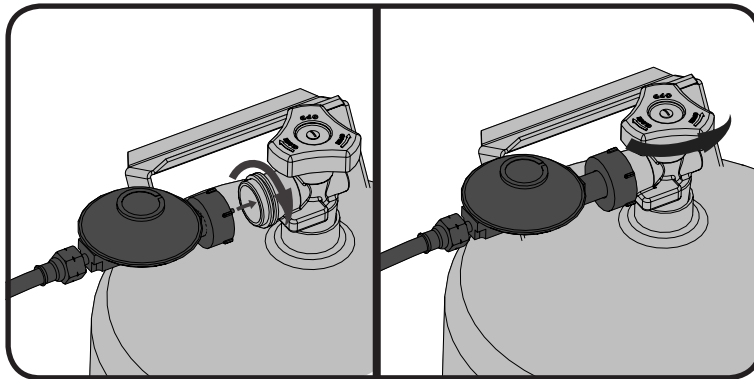


FIG. 1

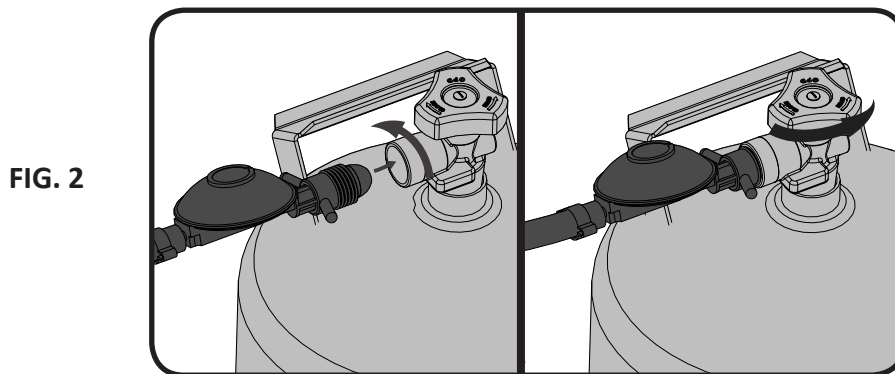


FIG. 2

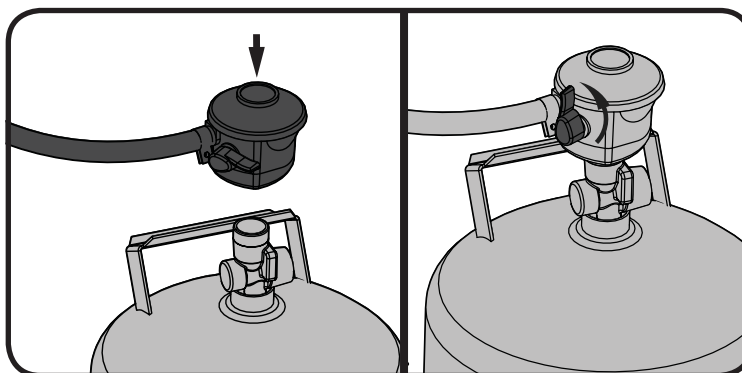


FIG. 3

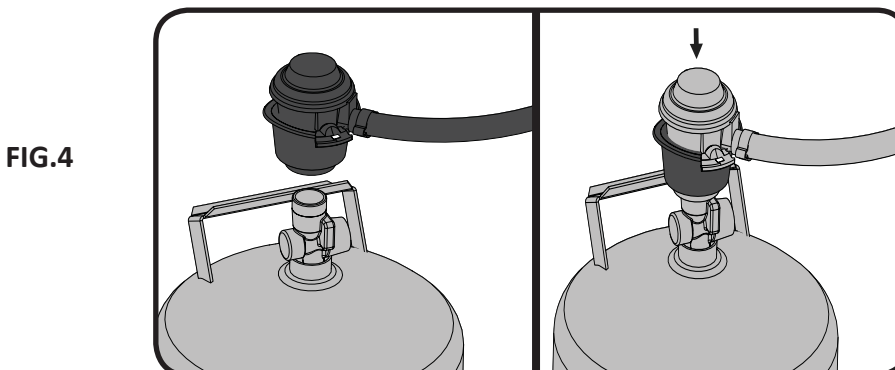


FIG. 4

## Leak Testing Instructions



**WARNING!** A leak test must be performed annually and each time a cylinder is hooked up or if a part of the gas system is replaced.



**WARNING!** Never use an open flame to check for gas leaks. Be certain no sparks or open flames are in the area while you check for leaks. Sparks or open flames will result in a fire or explosion, damage to property, serious bodily injury, or death.



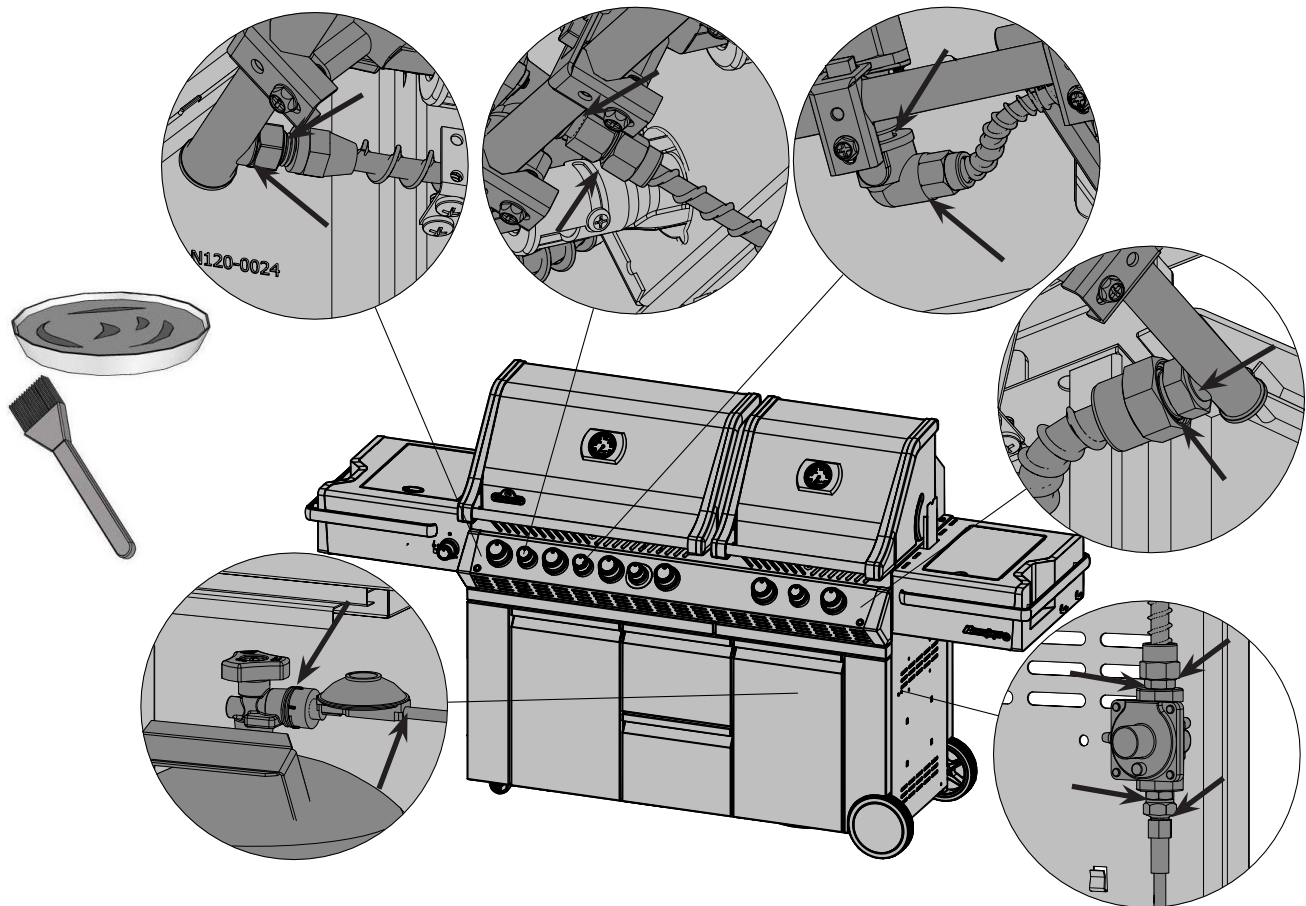
**Leak testing:** This must be done before initial use, annually, and whenever any gas components are replaced or serviced. Do not smoke while performing this test, and remove all sources of ignition. See Leak Testing Diagram for areas to check. Turn all burner controls to the off position. Turn gas supply valve on. Brush a half-and-half solution of liquid soap and water onto all joints and connections of the regulator, hose, manifolds and valves.



Bubbles will indicate a gas leak. Either tighten the loose joint or have the part replaced with one recommended by the Napoleon Customer Solutions department and have the grill inspected by a certified gas installer.



If the leak cannot be stopped, **immediately shut off the gas supply**, disconnect it, and have the grill inspected by a certified gas installer or dealer. Do not use the grill until the leak has been corrected.



## Anleitung Für Die Leckageprüfung



**ACHTUNG!** Ein Leckagetest muss vor der ersten Benutzung, jährlich und nach Auswechseln oder Warten eines Gasbauteils durchgeführt werden.



**ACHTUNG!** Während der Prüfung ist Rauchen verboten. Alle Zündquellen sind zu entfernen.



**Leckageprüfung:** Ein Leckagetest muss vor der ersten Benutzung, jährlich und nach Auswechseln oder Warten eines Gasbauteils durchgeführt werden. Während der Prüfung ist Rauchen verboten. Alle Zündquellen sind zu entfernen. Die zu prüfenden Stellen sind auf der Leckageprüfzeichnung aufgeführt. Alle Brenner abstellen. Flaschenventil aufdrehen.

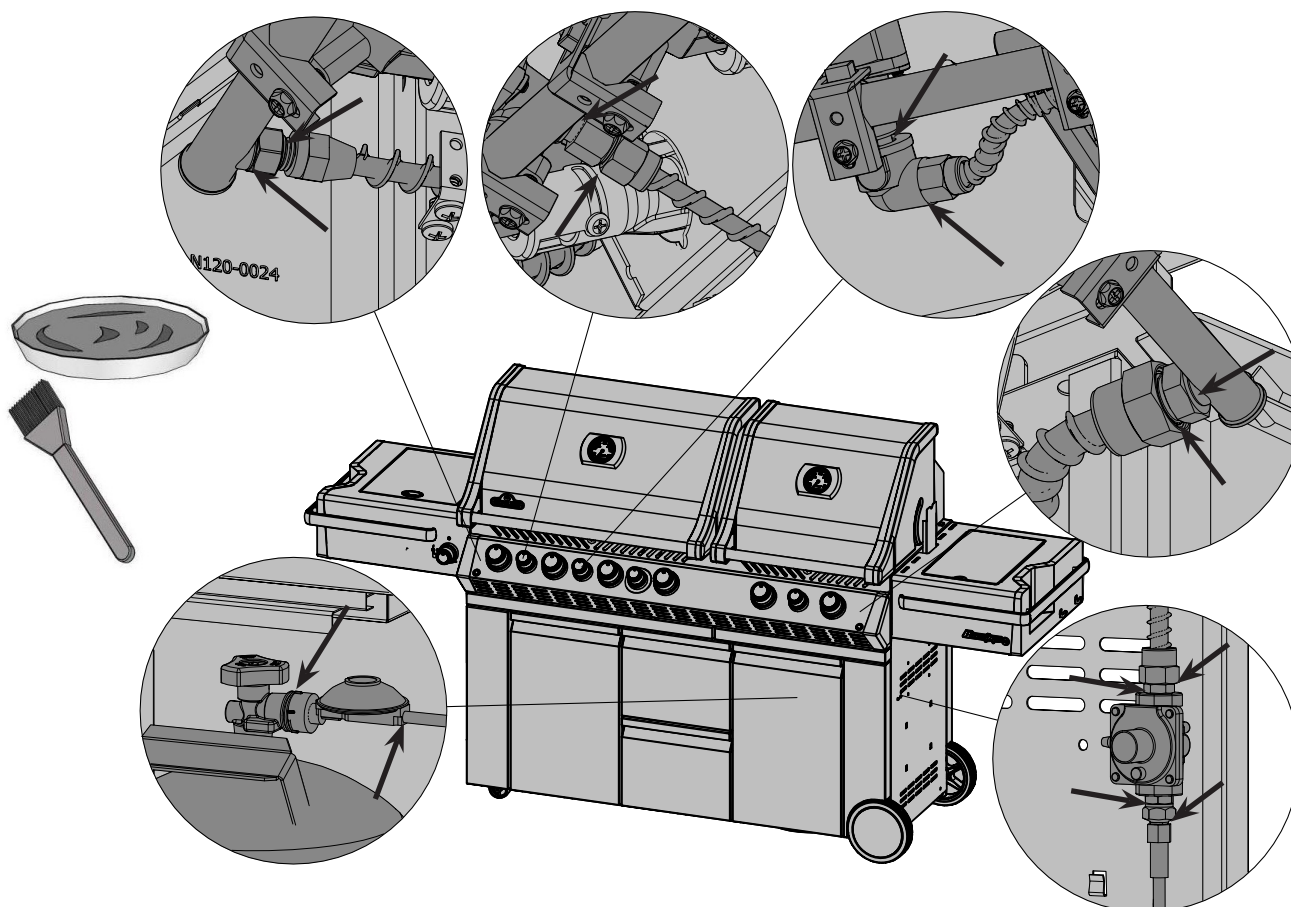


Seifenwasser (halb Wasser, halb Flüssigseife) auf alle Anschlüsse und Verbindungen an Regler, Schlauch, Verteiler und Ventile auftragen.

Leckagen werden durch Blasenbildung angezeigt. Leckage durch Festdrehen des Anschlusses oder Austausch des Teils durch ein vom Händler empfohlenes Teil beseitigen.



Bleibt die Leckage bestehen, Flaschenventil zudrehen, Regler abnehmen und Grill vom Gaslieferanten oder Händler untersuchen lassen. Das Gerät darf erst wieder benutzt werden, wenn die Leckage behoben ist. Gaszufuhr abstellen.



ITEM	PART NUMBER	DESCRIPTION	PRO825
1	N010-0814	base	x
2	N570-0038	1/4-20 x 1/2" screw	x
3	N100-0048	main burner	x
4	N100-0049	smoker burner	x
5	N080-0320	cross light bracket	x
6	N080-0321	cross light bracket small	x
7	N080-0342	sear plate mount	x
8	N200-0106	smoker burner cover	x
9	N510-0013	black silicone lid bumper	x
10	N080-0339	burner grease shield	x
11	N080-0340	burner grease shield small	x
12	N450-0025	1/4" - 20 nut	x
13	N080-0315	bracket rear burner orifice	x
14	N455-0055	rear burner orifice	x
15	N255-0058	90 degree elbow fitting	x
16	N080-0311	bracket igniter smoker burner	x
17	N720-0056	smoker burner flex	x
18	N455-0016	smoker burner orifice	x
19	N240-0031	smoker burner igniter	x
20	N655-0183	base stiffener	x
21	N570-0042	screw, 10-24 x 3/8"	x
22	N570-0008	#8 x 1/2" screw	x
23	N475-0329	control panel	x
24	N570-0078	screw M4 x 8mm	x
25	N010-0794	manifold	p
26	N720-0071	manifold flex connector	x
27	N010-0857	step down regulator	x
28	N120-0024	end cap left	x
29	N120-0025	end cap right	x
30	N660-0003-SER	switch lights	x
31	N660-0004-SER	switch ignition	x
32	N585-0098	switch heat shield	x
33	N160-0030	LED clip	x
34	N051-0011	control knob bezel large	x
35	N051-0012	control knob bezel small	x
36	N380-0024-CL	burner control knob large	x
37	N380-0025-CL	burner control knob small	x
38	N380-0025-BK	burner control knob small black	x
39	N051-0010	smoker tube bezel	x
40	N570-0022	screw, 8-32 x 3/8"	x
41	N720-0053	rear burner supply tube	x
42	N350-0069	rear burner housing (infra-red)	x
43	N100-0045	rear burner	x
44	N450-0006	1/4" - 20 nut	x
45	N240-0022	rear burner electrode	x
46	N305-0082	sear plate	x

ITEM	PART NUMBER	DESCRIPTION	PRO825
47	N305-0085	cooking grids large	x
48	N305-0092	cooking grids small	x
49	N010-0800	smoker tube	x
	N585-0101	smoker shield	x
50	N135-0015G	left side hood casting	x
51	N135-0016G	right side hood casting	x
52	N335-0076-GY2MT	hood insert, large	x
53	N335-0077-GY2MT	hood insert, small	x
54	N570-0012	carriage bolt, 1/4"-20 X 5/8	x
55	W735-0011	3/4" washer	x
56	N570-0073	1/4-20 x 5/8" screw	x
57	N350-0072	housing left light	x
58	N350-0073	housing right light	x
59	N402-0014	light left	x
60	N402-0015	light right	x
61	N450-0009	10-24 nut	x
62	N520-0038	large warming rack	x
63	N520-0039	small warming rack	x
64	N475-0301-M06	rotisserie mount	x
65	N200-0110	light wire cover	x
66	N570-0112	screw 10-24 x 5/8"	x
67	N570-0013	#8 x 5/8" screw	x
68	N735-0002	1/4" lock washer	x
69	N570-0015	lid pivot screw	x
70	N570-0024	1/4-20 x 1/2" screw	x
71	N010-0808	drip pan large	x
72	N010-0807	drip pan small	x
73	N080-0335	bracket infra red burner mount	x
74	N010-0498	infra red burner	x
75	N715-0098	base middle trim	x
76	N215-0014	infra red burner deflector	x
77	N735-0021	washer #8 stn stl	x
78	N530-0032	regulator -Germany	x
	N530-0033	regulator -Holland	x
	N530-0034	regulator -Spain/Finland/Norway/Denmark	x
	N530-0035	regulator -Sweden	x
	N530-0036	regulator -Italy	x
	N530-0037	regulator -United Kingdom	x
	N530-0038	regulator -France	x
	N530-0039	regulator -Hungary	x
	N530-0042	regulator -Switzerland	x
	N530-0043	regulator -Russia	x
	N530-0044	regulator -Poland	x
	N530-0046	regulator -Czech Republic	x
79	N720-0072	quick connection flex	x



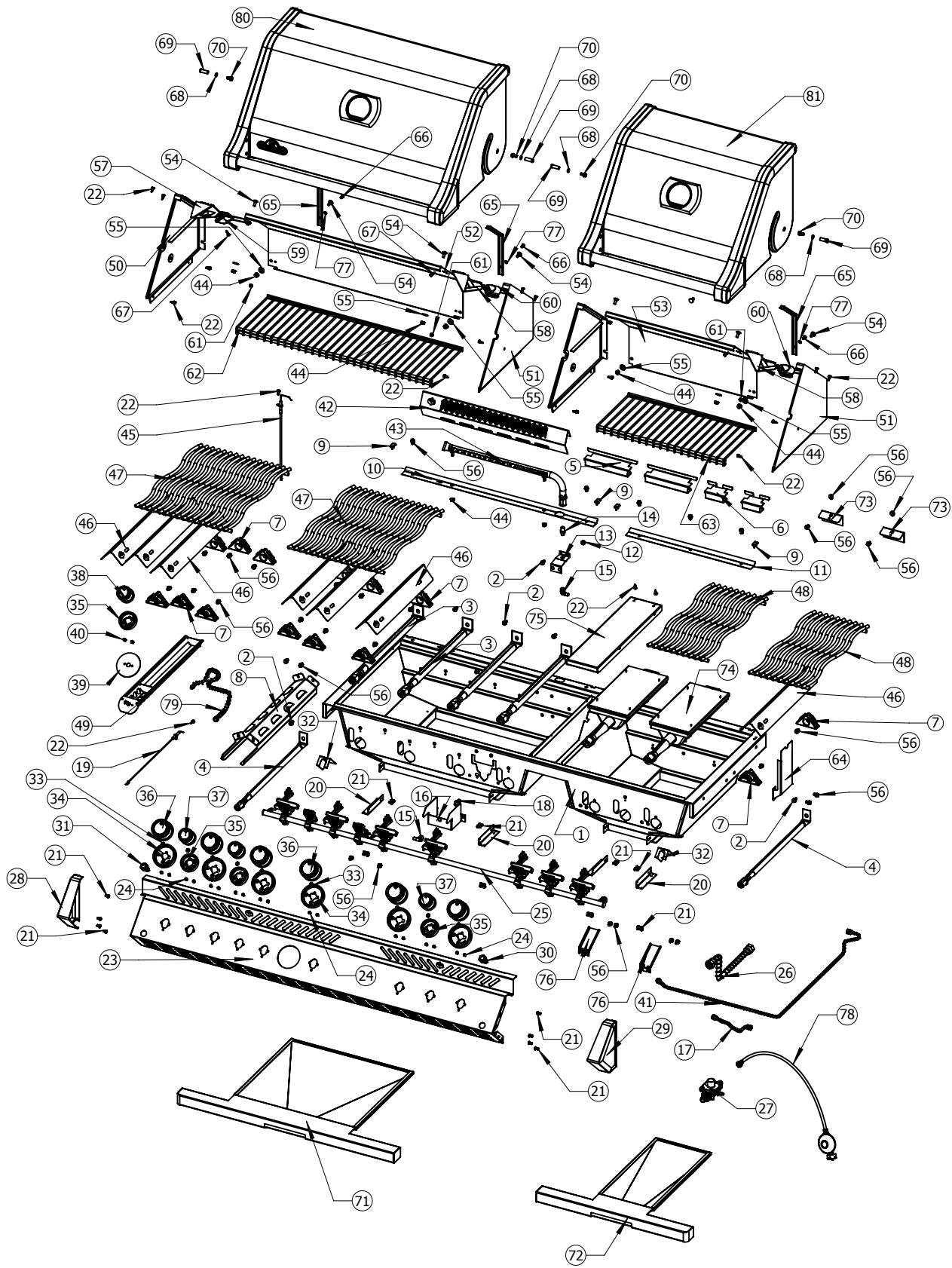
ITEM	PART NUMBER	DESCRIPTION	PRO825
80	N010-0811-SS	assembly lid large	x
81	N010-0810-SS	assembly lid small	x
	N750-0028	harness light switch	x
	N750-0029	harness igniter switch	x
	N750-0031	harness LED	x
	N750-0032	harness wire switch	x
	N750-0034	wire connector igniter	x
	N750-0035	wire electorde extension	x
	W200-0390	sleeve wire	x
	N215-0016	large wind deflector	ac
	N215-0017	small wind deflector	ac
	69532	rotisserie kit CE	ac
	69533	rotisserie kit GB	ac
	68825	vinyl cover	ac
	56018	stainless steel griddle	ac
	56040	cast iron griddle	ac
	67731	charcoal tray	ac

x - standard

ac - accessory

x - standard

ac -Zubehör



ITEM	PART NUMBER	DESCRIPTION	PRO825
101	N010-0856-GY1SG	bottom shelf	x
102	N080-0312-GY1SG	axle mount	x
103	N130-0014	caster, locking	x
104	N735-0003	1/4" lockwasher	x
105	N570-0038	1/4-20 x 1/2" screw	x
106	N015-0008	axle	x
107	N745-0007	wheel	x
108	N450-0023	axle cap	x
109	N010-0613	wheel hub cap	x
110	N475-0337-GY1SG	left-right panel	x
111	N080-0317-GY1SG	bracket side shelf	x
112	N570-0008	#8 x 1/2" screw	x
113	N475-0339-GY1SG	panel right rear	x
114	N475-0338-GY1SG	panel left rear	x
115	N080-0319-GY1SG	bracket control box	x
116	N570-0086	#14 x 1/2" screw	x
117	N357-0019	ignition	x
118	N190-0003	circuit board control box	x
119	N475-0333	panel right front	x
120	N475-0332	panel left front	x
121	N655-0175	stiffener door hinge	x
122	N475-0342-GY1SG	panel cabinet rear	x
123	N010-0817	panel inner cabinet	x
124	N585-0094-GY1SG	heat shield	x
125	N080-0330-GY1SG	bracket rear cover	x
126	N080-0331-GY1SG	bracket base	x
127	N080-0332-GY1SG	bracket bumper	x
128	N570-0073	1/4-20 x 3/8" screw	x
130	N707-0010	transformer GB	x
	N707-0011	transformer CE	x
131	N200-0115-GY1SG	wire cover	x
132	N450-0032	lock nut	x
133	N570-0093	8mm screw	x
134	N510-0013	black silicone lid bumper	x
135	N010-0803	door right	x
136	N010-0802	door left	x
137	N330-0022	hinge	x
138	N570-0013	#8 x 5/8" screw	x
139	N120-0027	end cap right	x
140	N120-0026	end cap left	x
141	N570-0022	screw 8 -32 x 3/8"	x
142	N105-0012	1.5 " snap bushing	x
143	N010-0818	drawer	x
144	N710-0086	grease tray holder	x
145	N080-0341-GY1SG	drip pan stopper bracket	x
146	N590-0242-GY1SG	inner cabinet shelf	x
147	N570-0076	#8 x 1/2" screw	x

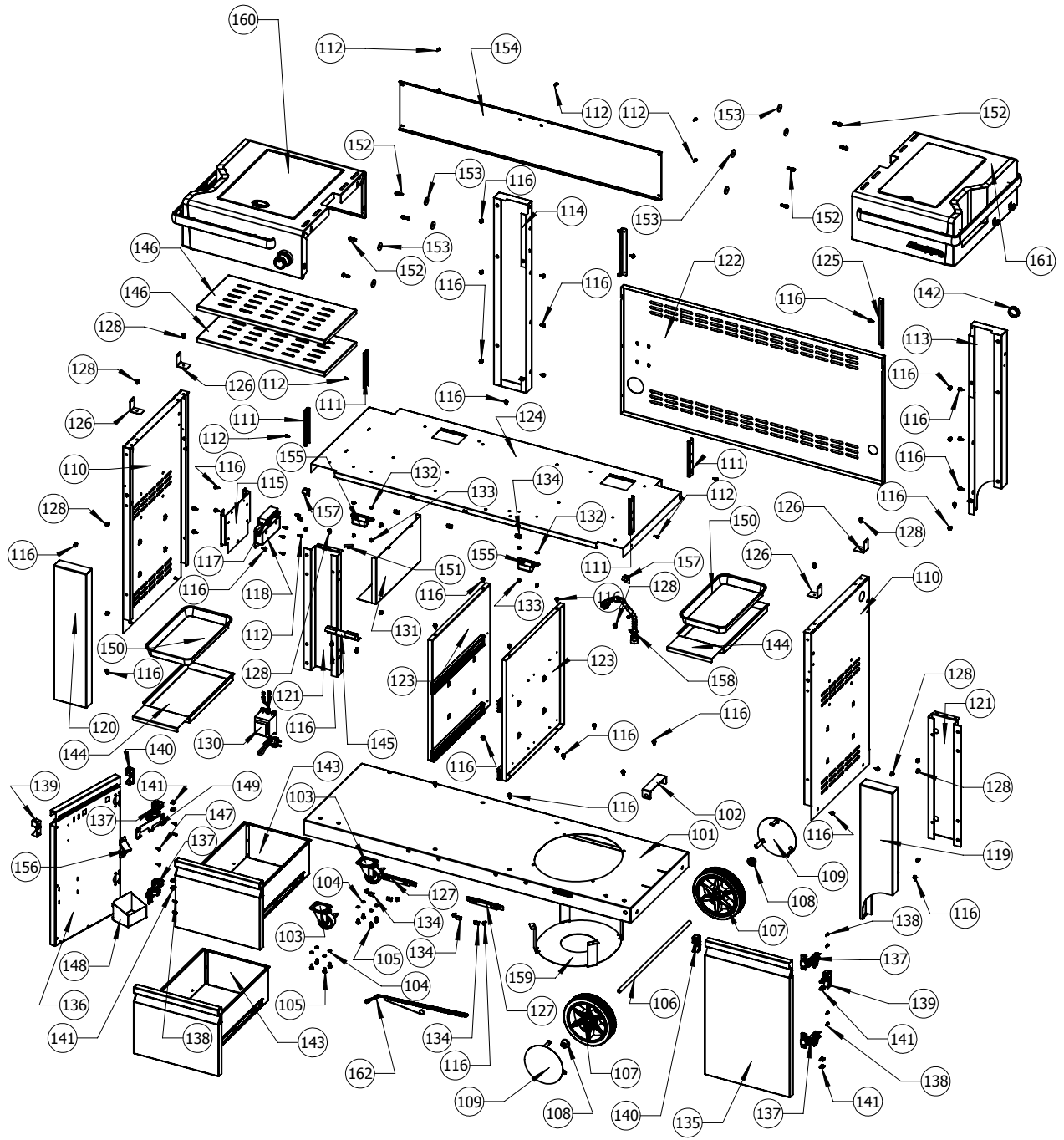
ITEM	PART NUMBER	DESCRIPTION	PRO825
148	N185-0005	bottle cap container	x
149	55110	tool hook bracket	x
150	62008	grease trays foil	x
151	W160-0095	wire clip	x
152	N570-0087	1/4-20 x 7/8" screw	x
153	N735-0001	washer side shelf	x
154	N200-0113-GY1SG	back cover	x
155	N402-0016	cabinet light	x
156	Z080-0012	bottle opener	x
157	N080-0318-GY1SG	bracket drip pan guide	x
158	N160-0002	hose retainer clip	x
159	N010-0848	assembly tank ring	x
160	N370-0707	kit side shelf right	x
161	N370-0701P	kit side shelf left	x
162	N555-0025	lighting rod	x

x - standard

ac - accessory

x - standard

ac -Zubehör



ITEM	PART NUMBER	DESCRIPTION	PRO825
201	N135-0036G	left side lid casting	x
202	N715-0091	trim left side lid casting	x
203	N135-0037G	right side lid casting	x
204	N715-0092	right side lid casting	x
205	N335-0078	large stainless steel lid insert	x
206	N585-0080	lid heat shield large	x
207	N385-0191	NAPOLEON logo	x
208	N450-0044	logo clips	x
209	N510-0013	black silicone lid bumper	x
210	N010-0813	lid handle large	x
211	N080-0253G	lid handle cover	x
212	N570-0013	#8 x 5/8" screw	x
213	N570-0087	1/4-20 x 7/8" screw	x
214	N735-0002	1/4" lock washer	x
215	N685-0004C	temperature gauge	x
216	N010-0812	lid handle small	x
217	N335-0075	small stainless steel lid insert	x
218	N585-0095	small lid heat shield	x
219	N010-0809	stainless steel side shelf left	x
220	N010-0829	manifold assembly	x
221	N455-0072	side burner IR orifice #76	x
222	N455-0074	side burner orifice 1.1mm	x
223	N320-0005	side burner insect guard	x
224	N120-0013G	side shelf end cap left	x
225	N570-0038	1/4-20 x 1/2" screw	x
226	N450-0025	1/4" - 20 nut	x
227	N100-0050	side burner	x
228	N080-0343	side burner mounting bracket	x
229	N570-0073	1/4-20 x 3/8" screw	x
230	N051-0012	control knob bezel small	x
231	N570-0078	screw M4 x 8mm	x
232	N380-0025-BK	burner control knob small black	x
233	N500-0052	side burner plate	x
234	N240-0032	side burner electrode	x
235	N335-0074	side burner lid	x
236	Z325-0013	side burner lid handle	x
237	N555-0059	pivot rod	x
238	N735-0020	washer, 7/32" I.D. X 7/16" O.D. nylon	x
239	N305-0093	cast iron side burner grate	x
240	N570-0008	#8 x 1/2" screw	x
241	N325-0063	shelf handle front	x
242	N325-0064	shelf handle side	x
243	N335-0048-M02	side shelf lid	x
244	Z720-0003	side burner supply tube	x
245	N010-0730	stainless steel side shelf right	x
246	N385-0185	pro plate logo	x
247	N120-0014G	side shelf end cap, right	x

ITEM	PART NUMBER	DESCRIPTION	PRO825
248	N385-0144	prestige logo	x
249	N485-0009	push pin	x
250	N185-0003	ice bucket	x
251	N590-0189	cutting board	x
252	N255-0061	quick disconnect nipple	x

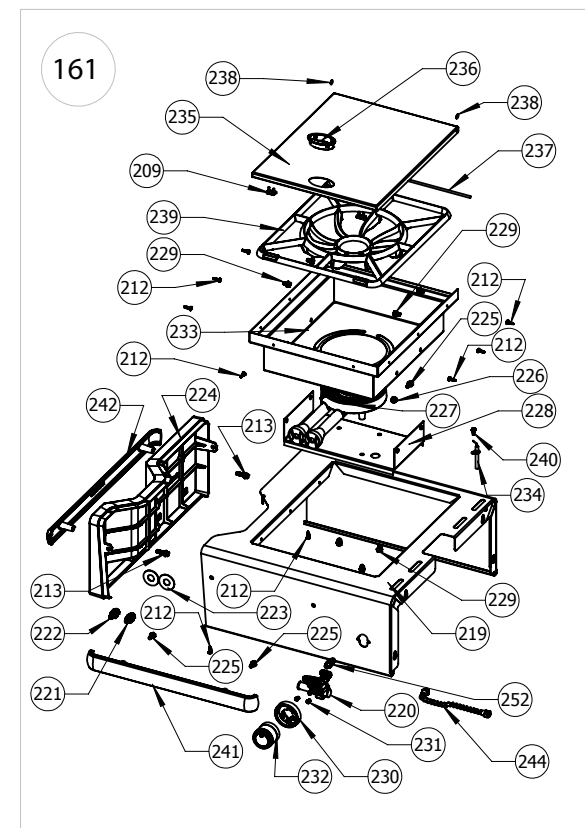
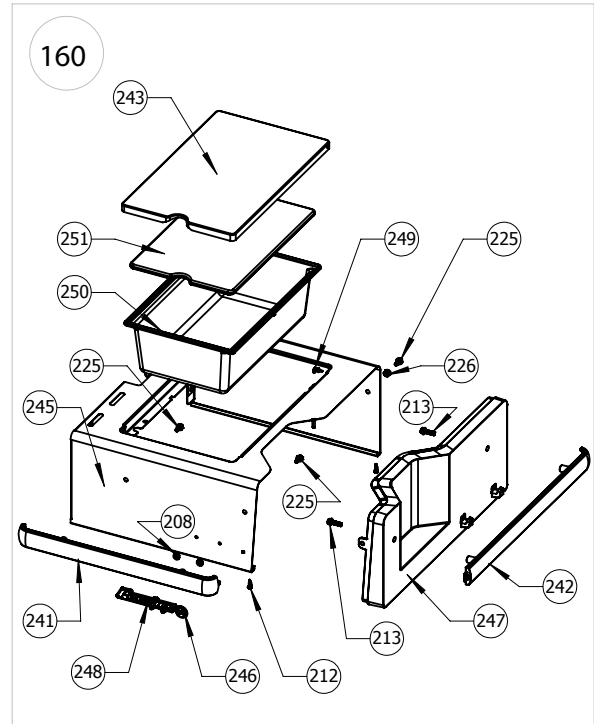
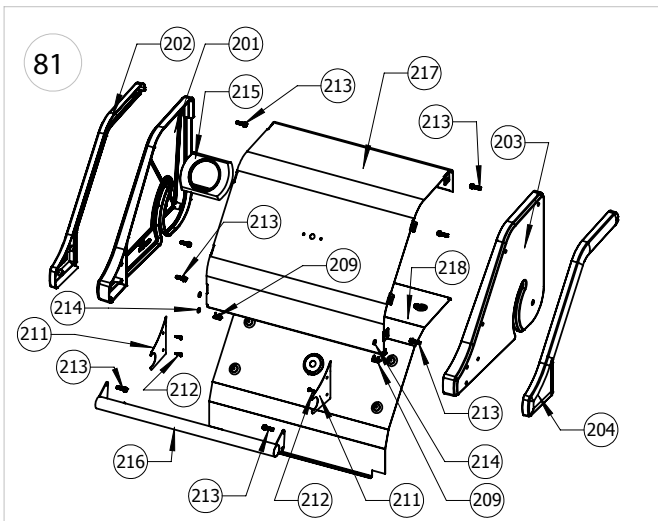
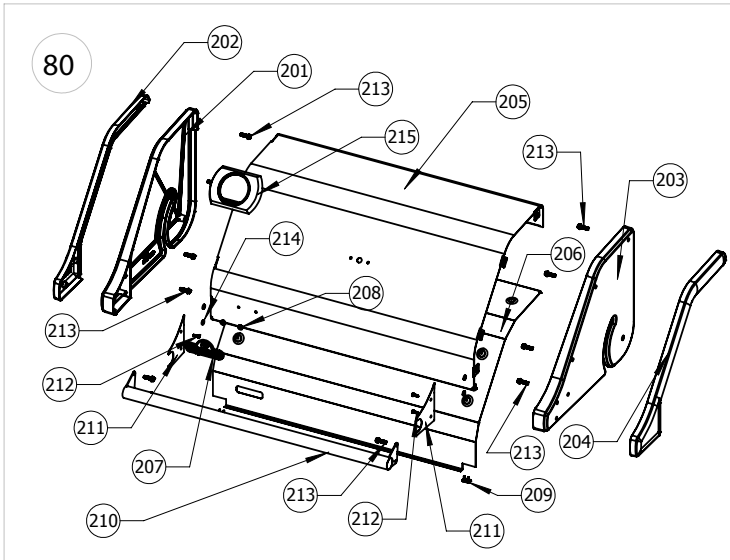
x - standard

ac - accessory

x - standard

ac -Zubehör





**Notes**

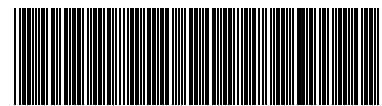


**Notes**



**Notes**





N415-0306CE-GB-DE