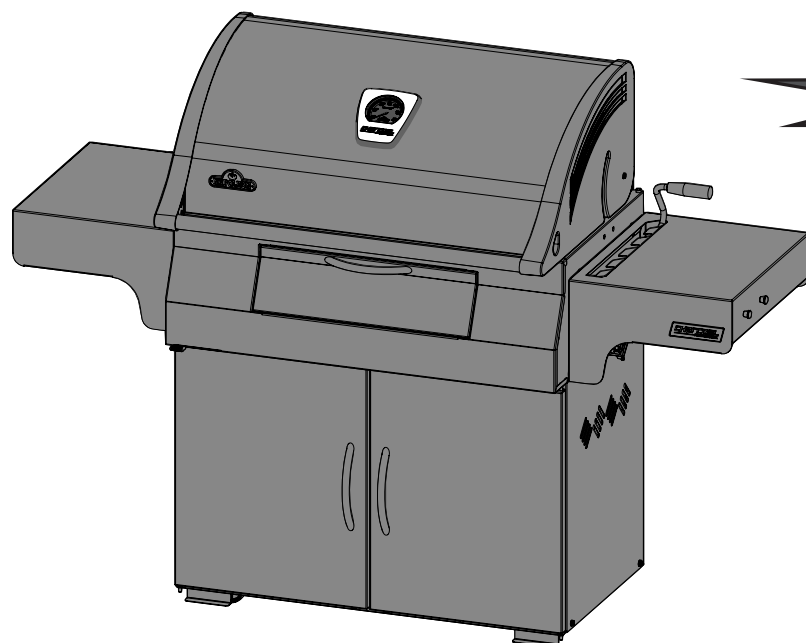
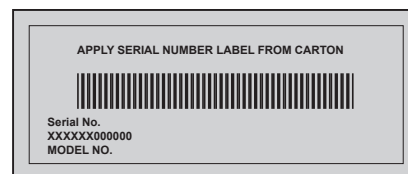


## ASSEMBLY USE AND CARE MANUAL

THIS GRILL MUST ONLY BE USED OUTDOORS IN A WELL-VENTILATED SPACE  
RETAIN THIS MANUAL FOR FUTURE REFERENCE

# OUTDOOR CHARCOAL GRILL



EN

CZ  
PG.13

SK  
PG.25

RU  
PG.37



PG.49



### WARNING

*Do not try to light this appliance without reading the "LIGHTING" instruction section of this manual.*



### DANGER

*Burning charcoal gives off carbon monoxide. Do not burn charcoal inside homes, garages, tents, vehicles or any enclosed areas.*



**WARNING!** Failure to follow these instructions exactly could result in a fire causing serious injury or death.

Wolf Steel Ltd.  
214 Bayview Drive,  
Barrie, Ontario, CANADA L4N 4Y8  
[grills@napoleonproducts.com](mailto:grills@napoleonproducts.com)

Wolf Steel Europe BV  
Poppenbouwing 29-31, 4191 NZ Geldermalsen,  
CCI No. 51509970, THE NETHERLANDS  
[info@napoleongrills.nl](mailto:info@napoleongrills.nl)

# Napoleon President's 15 Year Limited Warranty



NAPOLEON products are designed with superior components and materials, and are assembled by trained craftsmen who take great pride in their work. The burner and valve assembly are leak tested and test-fired at a quality test station. This grill has been thoroughly inspected by a qualified technician before packaging and shipping to ensure that you, the customer, receive the quality product you expect from NAPOLEON.

NAPOLEON warrants that components in your new NAPOLEON product will be free from defects in material and workmanship from the date of purchase, for the following period:

Aluminum castings / stainless steel base .....	<b>15 years</b>
Stainless steel lid .....	<b>15 years</b>
Porcelain enamel lid .....	<b>15 years</b>
Stainless steel cooking grids .....	<b>15 years</b>
Stainless steel tube burners .....	<b>10 years full coverage, plus 50% off until the 15th year</b>
Stainless steel sear plates .....	<b>5 years full coverage, plus 50% off until the 15th year</b>
Porcelain-enameled cast iron cooking grids .....	<b>5 years full coverage, plus 50% off until the 15th year</b>
Ceramic infrared burners (excluding screen) .....	<b>5 years full coverage, plus 50% off until the 15th year</b>
All other parts .....	<b>2 years</b>

#### \*Conditions and Limitations

This Limited Warranty creates a warranty period as specified in the aforementioned table, for any product purchased through an authorized NAPOLEON dealer, and entitles the original purchaser to the specified coverage in respect of any component replaced within the warranty period, either by NAPOLEON or an authorized NAPOLEON dealer, to replace a component of such product that has failed in normal private use as a result of a manufacturing defect. The "50% off" indicated in the table means the component is made available to the purchaser at a 50% discount off the regular retail price of the component for the period indicated. This Limited Warranty does not cover accessories or bonus items.

For greater certainty, "normal private use" of a product means that the product: has been installed by a licensed, authorized service technician or contractor, in accordance with the installation instructions included with the product and all local and national building and fire codes; has been properly maintained; and has not been used as a communal amenity or in a commercial application.

Similarly, "failure" does not include: over-firing, blow outs caused by environmental conditions such as strong winds or inadequate ventilation, scratches, dents, corrosion, deterioration of painted and plated finishes, discoloration caused by heat, abrasive or chemical cleaners or UV exposure, chipping of porcelain enameled parts, or damages caused by misuse, accident, hail, grease fires, lack of maintenance, hostile environments such as salt or chlorine, alterations, abuse, neglect or parts installed from other manufacturers.

Should deterioration of parts occur to the degree of non-performance (rusted through or burnt through) within the duration of the warranted coverage, a replacement part will be provided. The replacement component is the sole responsibility of NAPOLEON defined by this Limited Warranty; in no event will NAPOLEON be responsible for installation, labor or any other costs or expenses related to the re-installation of a warranted part, for any incidental, consequential, or indirect damages or for any transportation charges, labor costs or export duties.

This Limited Warranty is provided in addition to any rights afforded to you by local laws. Accordingly, this Limited Warranty imposes no obligation upon NAPOLEON to keep parts in stock. Based on the availability of parts, NAPOLEON may at its discretion discharge all obligations by providing a customer a prorated credit towards a new product. After the first year, with respect to this Limited Warranty NAPOLEON may, at its discretion, fully discharge all obligations with respect to this warranty by refunding to the original warranted purchaser the wholesale price of any warranted but defective part(s).

The bill of sale or copy will be required together with a serial number and a model number when making any warranty claims from NAPOLEON. NAPOLEON reserves the right to have its representative inspect any product or part prior to honoring any warranty claim. You must contact NAPOLEON Customer Service or an authorized NAPOLEON dealer to obtain the benefit of the warranty coverage.



napoleongrills.com



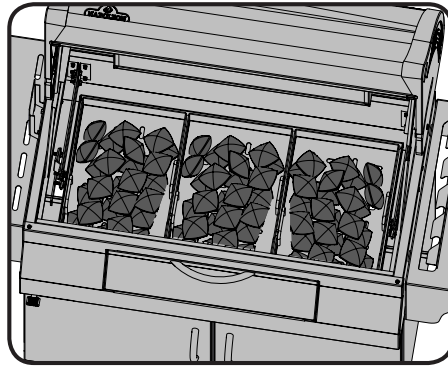
**WARNING!** Failure to follow these instructions could result in property damage, personal injury or death. Read and follow all warnings and instructions in this manual prior to operating grill.

## Safe Operating Practices

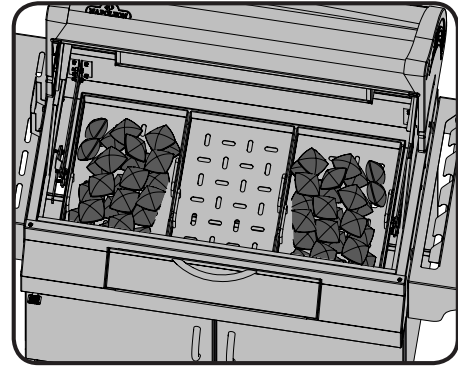
- Read the entire instruction manual before operating the grill.
- Under no circumstance should this grill be modified.
- Follow lighting instructions carefully when operating grill.
- Do not light charcoal with lid closed.
- Do not lean over grill when lighting.
- Prior to lighting rear chamber (burner) it must be in position on the brackets inside of the hood.
- Do not use gasoline, alcohol, or other highly volatile fluids to ignite charcoal. Use ONLY charcoal starter fluid approved for lighting charcoal. Make sure that any fluids that have drained through the bottom of the grill are removed before lighting the charcoal.
- Charcoal starter fluid should never be added to hot or even warm coals.
- After use and before lighting, charcoal starter fluid should be capped and stored a safe distance away from the grill, at least 25 feet (7.6m).
- Keep children and pets away from hot grill, DO NOT allow children to climb inside cabinet.
- Do not leave the grill unattended while in use.
- Do not move grill when hot or operating.
- This grill must not be installed in or on recreational vehicles and/or boats.
- This grill must only be stored outdoors in a well-ventilated area and must not be used inside a building, garage, screened in porch, gazebo or any enclosed area.
- Maintain proper clearance to combustibles 16" (410mm) to rear of unit 7" (180mm) to sides). This clearance is also recommended near vinyl siding or panes of glass.
- At all times keep the ventilation openings of the enclosure free and clear from debris.
- Do not place hands inside grill when adjusting charcoal tray. Keep hands and fingers away from the lifting mechanism at all times.
- Do not operate unit under any combustible construction.
- Do not operate this grill under any overhead construction such as roof coverings, carports, awnings or overhangs.
- Do not locate in windy settings. High winds adversely affect the cooking performance of the grill.
- The lid is to be closed during the preheat period.
- The ash/grease tray must be in place when using the grill.
- Clean the ash/grease tray regularly to avoid build-up, which may lead to grease fires.
- Do not use the side shelves to store lighters, matches or any other combustibles.
- The grill should be on level ground at all times.
- Do not use water to control flare-ups or extinguish coals, as it may damage your grill's finish.
- To control flare-ups, slightly close the vents on your grill. To completely extinguish coals/fire, close all vents and lid completely.
- Use proper grilling tools with long, heat-resistant handles.
- Use barbecue mitts or hot pads to protect hands while cooking or adjusting the vents.
- Do not remove ashes from grill until all charcoal is completely burned out and fully extinguished. Allow ample time to cool.
- Remaining coal and ashes are to be removed from grill and stored in a non-combustible metal container. Allow to remain in metal container 24 hours before disposing of.
- Keep electrical supply cords away from water or heated surfaces.
- Always use this grill in accordance with local codes.
- **California Proposition 65:** The burning of charcoal creates by-products, some of which are on the list as substances known by the State of California to cause cancer or reproductive harm. When cooking with charcoal, always ensure adequate ventilation to the unit, to minimize exposure to such substances.

# Lighting Instructions

## DIRECT COOKING



## INDIRECT COOKING



### Charcoal Usage

Cooking Method	Charcoal Recommended
Direct Cooking	100
InDirect Cooking	50 per side *(add 16 per side for each additional hour of cooking time)

\*Charcoal recommendations are approximate, longer cooking times require additional charcoal to be added. As well, colder, windy temperatures will require additional charcoal to reach ideal cooking temperatures.



**WARNING!** Open lid.

**WARNING!** Locate the grill outdoors on a solid, level, non-combustible surface. Never use grill on wooden or other surfaces that could burn.

**WARNING!** Do not lean over grill when lighting charcoal.

**WARNING!** Ashpan must be in place during lighting and anytime during use.

MAIN CHAMBER LIGHTING DIRECT COOKING METHOD	MAIN CHAMBER LIGHTING INDIRECT COOKING METHOD	REAR CHAMBER LIGHTING (ROTISSERIE BURNER)
1. Fully open the vent on the base. Open the grill lid and remove the cooking grids.	1. Fully open the vent on the base. Open the grill lid and remove the cooking grids.	1. Fully open the vent on the base.
2. Ensure the ash pan is cleaned out from the previous use and then re-install.	2. Ensure the ash pan is cleaned out from the previous use and then re-install.	2. Ensure the ash pan is cleaned out from the previous use and then re-install.
3. Use either the Ultrachef Charcoal Starter (not included) following the instructions included in the manual, or place lighter cubes or lightly crumpled newspaper on the charcoal tray. Place the charcoal in a cone shaped pile in the center of the unit on the newspaper or lighter cubes.	3. Place a drip pan in the center of the charcoal tray. Engage the charcoal dividers into the charcoal tray on either side of the drip pan. Use either the Ultrachef Charcoal Starter (not included) following the instructions included in the manual, or place lighter cubes or lightly crumpled newspaper in the area provided by the charcoal dividers. Place the charcoal in the divider area onto the newspaper or lighter cubes.	3. Place lighter cubes or lightly crumpled newspaper into the charcoal basket. Do not over fill. Remove the warming rack. Ensure basket is in position, hanging from hood brackets, prior to lighting.
4. Light the newspaper or lighter cubes. Once fully lit, close the lid and allow the charcoal to burn until it is covered in a light grey ash (approximately 20 minutes).	4. Light the newspaper or lighter cubes. Once fully lit, close the lid and allow the charcoal to burn until it is covered in a light grey ash (approximately 20 minutes).	4. Light the newspaper or lighter cubes. Once fully lit, close the lid and allow the charcoal to burn until it is covered in a light grey ash (approximately 20 minutes).
5. Using tongs with long heat resistant handles spread the coals to evenly cover the entire charcoal tray		5. Using tongs with long heat resistant handles, spread the coals out evenly.



**WARNING!** DO NOT OPERATE THE REAR CHAMBER WITH MAIN CHAMBER OPERATING



Starter fluid can be used to light the charcoal, but it is not the preferred method. It can be messy and may leave a chemical taste on the food if not completely burned off prior to cooking. Once lit, never add additional starter fluid to the grill. Store the bottle at least, 25 ft (7.6m) away from the grill when operating.

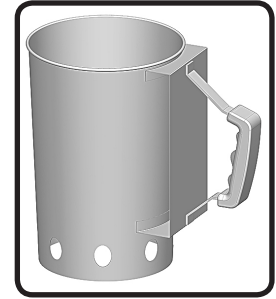


### ***Charcoal Starter Safe Operating Practices***

#### **WARNING!**

- For outdoor use only.
- Do not use the Charcoal Starter unless it is placed on a firm, level charcoal grate and the charcoal grill is on a firm, level, non-combustible surface.
- Do not place the Charcoal Starter on any combustible surface unless the Charcoal Starter is completely cool.
- Do not use lighter fluid, gasoline or self lighting charcoal in the Charcoal Starter.
- Only use the Charcoal Starter to light charcoal for charcoal grills.
- Always wear protective gloves when handling the Charcoal Starter.
- Keep children and pets away from the Charcoal Starter at all times.
- Do not use the Charcoal Starter in high winds.
- Do not leave the Charcoal Starter unattended while in use.
- Do not lean over the Charcoal Starter when lighting.
- Never use the Charcoal Starter for other than intended use. Do not use the Charcoal Starter to prepare food.
- Use extreme caution when pouring hot coals out of the Charcoal Starter.

**CHARCOAL STARTER**



### ***Using the Charcoal Starter***

- Turn the Charcoal Starter upside down.
- Crumple two full sheets of newspaper and stuff them into the bottom of the Charcoal Starter.
- Turn the Charcoal Starter right side up and place it in the centre of the charcoal grate.
- Add appropriate amount of charcoal but do not over fill.
- Light a match, and insert into one of the bottom air vents to ignite the newspaper.
- When the top layer of charcoal has a light coating of grey ash, wearing protective gloves carefully pour the hot charcoal onto the charcoal grate (direct cooking method) or place into the charcoal baskets (indirect method).
- Once the hot charcoal is placed into the grill, spread the charcoal out evenly using tongs with long heat resistant handles.

# Charcoal Cooking Guide

Charcoal is the traditional way of cooking that we are all familiar with. The glowing briquettes emit infrared energy to the food being cooked, with very little drying effect. Any juices or oils that escape from the food drip down onto the charcoal and vaporize into smoke giving the food its delicious grilled taste. The bottom line is that Napoleon's charcoal grill produces searing heat for juicier, tastier steaks, hamburgers and other meats. For cooking times and tips refer to the Charcoal Grilling Chart.

The following grilling chart is meant to be a guideline only. Cooking times are affected by such factors as altitude, outside temperature, wind, and desired doneness, which will be reflected in your cooking time. Use a meat thermometer to ensure foods are adequately cooked.

## Charcoal Grilling Chart

Food	Direct/Indirect Heat	Cooking Time	Helpful Suggestions
Steak 1 in. (2.54cm) thick	Direct heat	6-8 min.– Medium	When selecting meat for grilling, ask for marbled fat distribution. The fat acts as a natural tenderizer while cooking and keeps it moist and juicy.
Hamburger 1/2 in (1.27cm) thick	Direct heat	6-8 min.– Medium	Preparing hamburgers to order is made easier by varying the thickness of your patties. To add an exotic taste to your meat, try adding hickory-flavored woodchips to the charcoal.
Chicken pieces	Direct heat approx 2 min. per side. Indirect heat for the remaining 18-20 min.	20-25 min.	The joint connecting the thigh and the leg from the skinless side should be sliced 3/4 of the way though for the meat to lay flatter on the grill. This helps it to cook faster and more evenly. To add a trademark taste to your cooking, try adding mesquite-flavored woodchips to the charcoal.
Pork chops	Direct heat	10-15 min.	Trim off the excess fat before grilling. Choose thicker chops for more tender results.
Spare ribs	Direct heat for 5 min. Indirect heat to finish	1.5-2 hrs. turning often	Choose ribs that are lean and meaty. Grill until meat easily pulls away from the bone.
Lamb chops	Direct heat	25-30 min.	Trim off the excess fat before grilling. Choose extra thick chops for more tender results.
Hot dogs	Direct heat	4-6 min.	Select the larger size wieners. Slit the skin lengthwise before grilling.

## Cooking Instructions

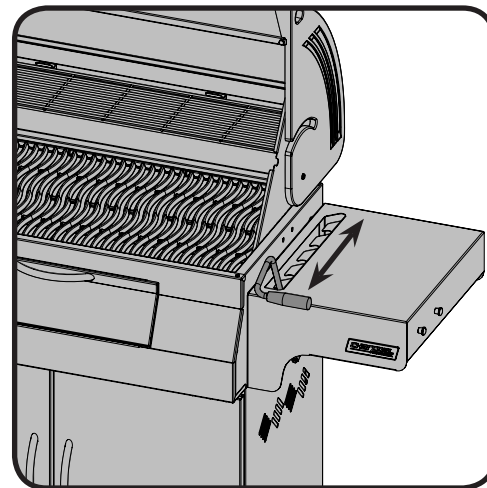
**Initial Lighting:** When lit for the first time, the grill emits a slight odor. This is a normal temporary condition caused by the “burn-in” of internal paints and lubricants used in the manufacturing process and does not occur again. Simply burn the grill on high for approximately 30 minutes with the lid and base vents fully open.



**WARNING!** Never place your hands inside the grill when adjusting the charcoal tray. Keep hands and fingers away from lifting mechanism at all times.

**Main Chamber Use:** The charcoal tray has six positions in which it can operate. For optimal use, we recommend locking the charcoal tray in the uppermost position as close to the cooking grids as possible. Lowering the tray away from the food as desired, and closing the intake vents can reduce temperatures.

We recommend preheating the grill by operating it with the lid closed for approximately 20 minutes. The coals are ready when they have a light coating of grey ash. Food cooked for short periods of time (fish, vegetables) can be grilled with the lid open. Cooking with the lid closed ensures higher, more even temperatures that will reduce cooking time and cook the food more evenly. When cooking very lean meat, such as chicken breast or lean pork, the grids can be oiled before preheating to reduce sticking. Cooking meat with a high degree of fat content may create flare-ups. Either trim the fat or reduce temperatures to inhibit this. Should a flare-up occur, move food away from flames; reduce the heat (reduce vent opening). Leave the lid open.



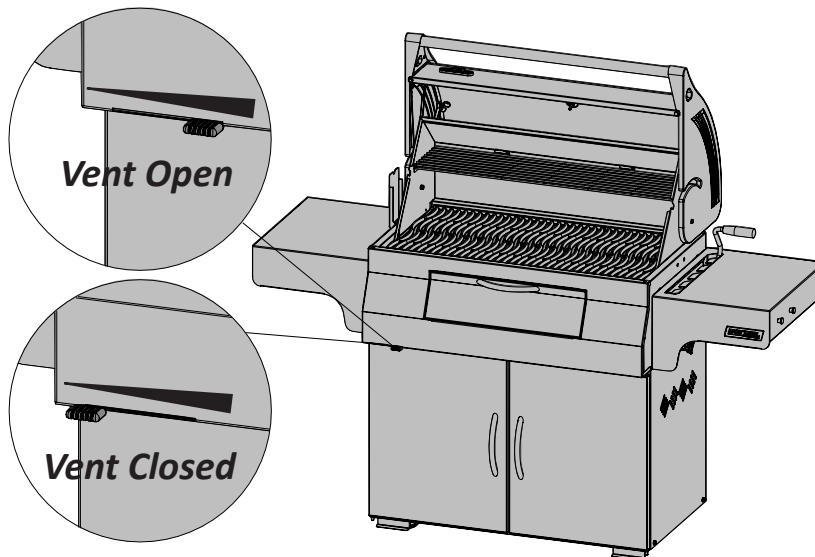
As a general rule, plan on using about 100 briquettes to cook 4 lb. (2kg) of meat. If cooking for more than 30 to 40 minutes, additional briquettes must be added to the fire. When the weather is cold or windy, you will need more briquettes to reach ideal cooking temperatures.

**Adding Charcoal During Cooking:** Use caution when adding charcoal to the grill. Flames may flare up when coals come in contact with fresh air. Carefully open door located on front of base. Stand back a safe distance and use a long-handled heat-resistant cooking tongs to add additional charcoal briquettes.



**WARNING!** Never add charcoal starter fluid to hot or warm coals. Once charcoal is ignited no more fluid is required.

**Operating The Vents:** Vents on a covered grill are usually left open to allow air into the grill. Air increases the burning temperature of the coals. You can regulate the grill's temperature by moving the vent slide to the right or left. Closing the vents either partially or completely will help to cool down the coals. Do not completely close the air vents and the lid vent unless you are trying to cool down or extinguish a flame.



**Rear Chamber Use (Rotisserie Burner):** Remove the warming rack prior to use. Cooking grids should also be removed if they interfere with the rotisserie. Ensure rear chamber is installed on brackets located inside hood prior to lighting. The rear chamber is designed to be used in conjunction with the rotisserie kit available from your dealer. See the rotisserie kit assembly instructions. To use the counterbalance, remove the rotisserie motor from the grill. Place the spit with meat being cooked across the hangers inside the grill. The meat will naturally hang with the heavy side down. Tighten the counterbalance arm and weight, so that the arm is facing up. Slide the counterweight in or out to

balance the load, and tighten in place. Re-install the motor and begin cooking. Place a dish underneath to collect drippings for basting and naturally delicious gravy. Basting liquid may be added as required. Keep the lid closed for best results. Your roasts and fowl will brown perfectly on the outside and stay moist and tender on the inside. For example, a 3-pound chicken on the rotisserie will be done in approximately 1½ hours on medium to high. To add additional charcoal briquettes during cooking stand back a safe distance and use long heat-resistant handle cooking tongs.



**WARNING!** Only install rear chamber when using.



**WARNING!** Never add charcoal starter fluid to hot or warm coals, once charcoal is ignited no more fluid is required.



## After Use Safety

**WARNING!** To protect yourself and your property from damage, carefully follow these safety precautions.

- Close the grill lid and all vents to extinguish fire.
- Always allow the grill to cool completely before handling.
- Never leave coals and ashes in grill unattended. Make sure coals and ashes are completely extinguished before removing.
- Use a metal spatula or scoop to remove remaining coals and ashes from grill. Place them in a non-combustible metal container and completely saturate with water. Leave in container an additional 24 hours before disposing.



# Maintenance / Cleaning Instructions

It is recommended that the ashtray/dripan be emptied out after each use.



**WARNING!** Ensure the grill is cool and all coals are completely extinguished prior to removing any part from your grill.



**WARNING!** Always wear protective gloves and safety glasses when cleaning your grill.



**WARNING!** Do not use pressure washer to clean any part of the grill.



**WARNING!** To avoid the possibility of burns, maintenance should be done only when the grill is cool. Avoid unprotected contact with hot surfaces. Clean grill in an area where cleaning solutions will not harm decks, lawns, or patios. Do not use oven cleaner to clean any part of this grill. Do not use a self-cleaning oven to clean cooking grids or any other parts of the grill. Barbecue sauce and salt can be corrosive and will cause rapid deterioration of the grill components unless cleaned regularly.

**Grids And Warming Rack:** The grids and warming rack are best cleaned with a brass wire brush during the pre-heating period. Steel wool can be used for stubborn stains.

**Cleaning Inside The Grill:** Remove the cooking grids. Use a brass wire brush to clean loose debris from the casting sides and the insides of the lid. Scrape the inside of the base with a putty knife or scraper, and use a wire brush to remove ash. Sweep all debris from inside the grill into the removable ash/drip pan. If desired you can wash the inside of the grill with a mild detergent and water. Rinse well with clear water and wipe dry.



**WARNING!** Accumulated grease is a fire hazard. Clean the drip pan after each use to avoid grease buildup.

**Ash/Drip Pan:** Ashes, grease and excess drippings pass through to the ash/drip pan, located beneath the charcoal grill, and accumulate. To clean, slide the pan free of the grill. Never line the pan with aluminum foil, sand or any other material as this could prevent the grease from flowing properly. The pan should be scraped out with a putty knife or scraper, and all the debris brushed into a non-combustible metal container. Wash the ash/drip pan with a mild detergent and water. Rinse well with clear water and wipe dry.

**Cleaning The Outer Grill Surface:** Do not use abrasive cleaners or steel wool on any painted, porcelain or stainless steel parts of your Napoleon Grill. Doing so will scratch the finish. Exterior grill surfaces should be cleaned with warm soapy water while the metal is still warm to the touch. To clean stainless surfaces, use a stainless steel or a non-abrasive cleaner. Always wipe in the direction of the grain. Over time, stainless steel parts discolor when heated, usually to a golden or brown hue. This discoloration is normal and does not affect the performance of the grill. Porcelain enamel components must be handled with additional care. The baked-on enamel finish is glass-like, and will chip if struck. Touch-up enamel is available from your Napoleon Grill dealer.

## Troubleshooting

Problem	Possible Causes	Solution
Low heat / Low flame.	<p>Improper preheating.</p> <p>Not enough airflow.</p> <p>Low charcoal.</p> <p>Improper charcoal tray location.</p>	<p>Allow charcoal to burn until covered with a light grey ash. (usually 20-25min).</p> <p>Open Vents.</p> <p>Add more charcoal to the charcoal tray.</p> <p>Raise charcoal tray to highest position.</p>
Excessive flare-ups/ uneven heat.	<p>Improper preheating.</p> <p>Excessive grease and ash build up in ash/drip pan.</p> <p>Improper charcoal tray location.</p>	<p>Preheat grill with lid closed for 20 - 25 mins.</p> <p>Clean ash/drip pan regularly. Do not line pan with aluminum foil. Refer to cleaning instructions.</p> <p>Lower charcoal tray to lowest position.</p>
"Paint" appears to be peeling inside lid or hood.	Grease build up on inside surfaces.	This is not a defect. The finish on the lid and hood is stainless steel, and will not peel. The peeling is caused by hardened grease, which dries into paint-like shards that will flake off. Regular cleaning will prevent this. See cleaning instructions.

# Charcoal Grilling In Review

## *Lighting Your Grill*

- Before cooking for the first time, we recommend burning on high for 30 minutes with the base vents fully open. This will burn off any lubricants used in the manufacturing process.
- Fully open the vent on the base each time you light your grill.
- Ensure the ash pan is cleaned out from the previous use and then re-install.
- Use either the Ultrachef Charcoal Starter (not included) following the instructions included in the manual. Place the charcoal in a cone shaped pile in the center of the unit (direct cooking method) or the optional charcoal baskets (indirect method).
- Once fully lit, close the lid and allow the charcoal to burn until it is covered in a light grey ash (approximately 20 minutes), arrange the charcoal using tongs with heat resistant handles according to the cooking method you are going to use.
- Starter fluid can be used to light the charcoal, but it is not the preferred method. It can be messy and may leave a chemical taste on the food if not completely burned off prior to cooking. Once lit, never add additional starter fluid to the grill. Store the bottle at least 25ft (7.6m) away from the grill when operating.
- Additional smoke flavour can be achieved by adding smoker chips which are available in a variety of flavours through your Napoleon dealer.

## *Cooking With Your Grill*

- We recommend preheating the grill by operating it with the lid closed for approximately 20 minutes. The coals are ready when they have a light coating of grey ash.
- As a general rule plan on using about 100 briquettes to cook 4 lb. (1kg) of meat. If cooking for more than 30 to 40 minutes, additional briquettes must be added to the fire. When the weather is cold or windy, you will need more briquettes to reach ideal cooking temperatures.
- Use caution when adding charcoal to the grill. Flames may flare up when coals come in contact with fresh air. Stand back a safe distance and use a long-handled heat-resistant cooking tongs to add additional charcoal briquettes.
- Vents on a covered grill are usually left open to allow air into the grill. Air increases the burning temperature of the coals. You can regulate the grill's temperature by moving the vent slide to the right or left.
- Allow food to cook with the lid closed. Every time the lid is removed, the temperature drops. This leads to lower temperatures and longer cooking times.
- Closing the vents either partially or completely will help to cool down the coals. Do not completely close the air vents unless you are trying to cool down or extinguish a flame.
- The cooking grid can be oiled before preheating to reduce sticking.
- Use a meat thermometer to ensure foods are adequately cooked.

## *Grill Clean Up*

- Close the grill lid and all vents to extinguish fire.
- Always allow the grill to cool completely before handling.
- Never leave coals and ashes in grill unattended. Make sure coals and ashes are completely extinguished before removing.
- Use a metal spatula or scoop to remove remaining coals and ashes from grill. Place them in a non-combustible metal container and completely saturate with water. Leave in container an additional 24 hours before disposing.
- Use a brass wire brush to clean loose debris from the base and the insides of the lid.
- Wash the inside of the grill with a mild detergent and water. Rinse well with clear water and wipe dry.
- Porcelain enamel components must be handled with additional care. The baked-on enamel finish is glass-like, and will chip if struck. Touch-up enamel is available from your Napoleon Grill dealer.

**KEEP YOUR RECEIPT AS PROOF OF PURCHASE TO VALIDATE YOUR WARRANTY.**

## Ordering Replacement Parts

### *Warranty Information*

MODEL: \_\_\_\_\_

DATE OF PURCHASE: \_\_\_\_\_

SERIAL NUMBER: \_\_\_\_\_

### ***(Record information here for easy reference)***

Before contacting the Customer Solutions Department, check the Napoleon Grills Website for more extensive cleaning, maintenance, troubleshooting and parts replacement instructions at [www.napoleongrills.com](http://www.napoleongrills.com). Contact the factory directly for replacement parts and warranty claims. Our Customer Solutions Department is available between 9 AM and 5 PM (Eastern Standard Time) at 1-866-820-8686 or by e-mail at [grills@napoleonproducts.com](mailto:grills@napoleonproducts.com). To process a claim, we must be provided with the following information:

1. Model and serial number of the unit.
2. Part number and description.
3. A concise description of the problem ('broken' is not sufficient).
4. Proof of purchase (photocopy of the invoice).

In some cases the Customer Solutions Representative could request to have the parts returned to the factory for inspection before providing replacement parts. These parts must be shipped prepaid to the attention of the Customer Solutions Department with the following information enclosed:

1. Model and serial number of the unit.
2. A concise description of the problem ('broken' is not sufficient).
3. Proof of purchase (photocopy of the invoice).
4. Return Authorization Number - provided by the Customer Solutions Representative.

Before contacting Customer Solutions Representative, please note that the following items are not covered by the warranty:

- Costs for transportation, brokerage or export duties.
- Labour costs for removal and reinstallation.
- Costs for service calls to diagnose problems.
- Discoloration of stainless steel parts.
- Part failure due to lack of cleaning and maintenance, or use of improper cleaners (oven cleaner or other harsh chemicals).

## MONTÁŽ POUŽITÍ A ÚDRŽBA

Tento gril musí být používán pouze venku na dobře větraném místě  
Uschovejte tento návod pro pozdější použití.

# VENKOVNÍ GRIL NA DŘEVĚNÉ UHLÍ

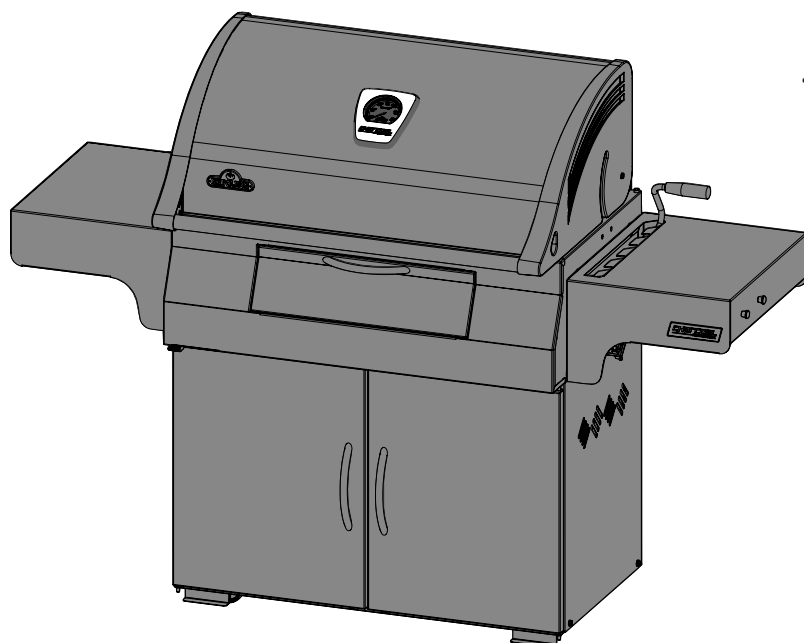


Použijte štítek se sériovým číslem z kartonu



Výrobní číslo.  
XXXXXXXX000000  
Model č.

CZ



## PRO605CSS



### VAROVÁNÍ

Nesnažte se zažehnout  
tento spotřebič bez čtení  
“ZAPALOVACÍCH” instrukcí v  
tomto návodu.



### NEBEZPEČÍ

*Spalování uhlí vydává oxid  
uhelnatý. Nepalte uhlí uvnitř domů,  
garáží, stanů, vozidel nebo jiných  
uzavřených prostor.*



**VAROVÁNÍ!** Nedodržení těchto pokynů může mít za následek vznik požáru, vážné zranění nebo smrt.

Wolf Steel Ltd.  
214 Bayview Drive,  
Barrie, Ontario, CANADA L4N 4Y8  
[grills@napoleonproducts.com](mailto:grills@napoleonproducts.com)

Wolf Steel Europe BV  
Poppenbouwing 29-31, 4191 NZ Geldermalsen,  
CCI No. 51509970, THE NETHERLANDS  
[info@napoleongrills.nl](mailto:info@napoleongrills.nl)

# Napoleon Presidentská 15 ti letá Omezená Záruka



Výrobky NAPOLEON jsou navrženy s vynikajícími součástmi a materiály a jsou sestaveny školеныmi řemeslníky, kteří se pyšní svou prací. Sestava hořáků a ventilů je testována na těsnost a funkci na zkušební stanici kvality. Tento produkt byl před balením a přepravou důkladně prohlédnut kvalifikovaným technikem, aby se zajistilo, že zákazník obdrží kvalitní výrobek, který od společnosti NAPOLEON očekáváte.

CZ

**NAPOLEON ručí za komponenty Vašeho nového produktu Napoleon z hlediska vady materiálu a zpracování od data prodeje po následující období:**

Hliníkové kryty / nerezová konstrukce .....	<b>15 let</b>
Nerezové víko .....	<b>15 let</b>
Smaltované víko .....	<b>15 let</b>
Nerezové grilovací rošty .....	<b>15 let</b>
Nerezové trubkové hořáky .....	<b>10 let plné krytí, plus do 15.roku sleva 50% na díl</b>
Nerezové kryty hořáků .....	<b>5 let plné krytí, plus do 15.roku sleva 50% na díl</b>
Smaltované litinové rošty .....	<b>5 let plné krytí, plus do 15.roku sleva 50% na díl</b>
Keramické infračervené hořáky (kromě mřížky) .....	<b>5 let plné krytí plus do 15.roku sleva 50% na díl</b>
Všechny ostatní díly .....	<b>2 roky</b>

## \*Podmínky a omezení

Tato omezená záruka vytváří záruční lhůtu, jak je uvedena ve výše uvedené tabulce, pro produkt zakoupený prostřednictvím autorizovaného prodejce NAPOLEON a opravňuje původního kupujícího ke stanovenému krytí v záruční době, a to buď společností NAPOLEON nebo autorizovaným prodejcem společnosti NAPOLEON, aby nahradil součást takového výrobku, který selhal při běžném soukromém použití v důsledku výrobní vady. "50% sleva" uvedená v tabulce znamená, že součástka je k dispozici kupujícímu za 50% slevu z běžné maloobchodní ceny komponentu v uvedeném období. Tato omezená záruka se nevztahuje na příslušenství nebo bonusové položky.

Na vysvětlenou "běžná soukromá potřeba" výrobku znamená, že výrobek: byl nainstalován autorizovaným servisním technikem nebo dodavatelem v souladu s pokyny k instalaci, které jsou součástí výrobku a všemi místními a národními předpisy pro budovy a protipožární ochranu; byly řádně dodrženy; a výrobek nebyl používán jako komunální zařízení nebo v komerční sféře.

Záruka také nezahrnuje: přetopení, nestandardní hoření způsobené okolními podmínkami, jako je silný vítr nebo nedostatečná ventilace, škrábance, promáčkliny, korozi, poleptání nátěrů, zbarvení způsobené teplem, abrazivními nebo chemickými čisticími prostředky nebo působením UV záření, rozbití porcelánových či smaltovaných částí nebo škody způsobené nesprávným použitím, nehodou, krupobitím, hašením požáru, nedostatečnou údržbou, nevhodným působením či prostředím jako je sůl nebo chlor, změny, úpravy, zanedbání nebo části instalované od jiných výrobců. Pokud dojde k poškození částí, které by již nebylo možno používat (proroznutí nebo prohoření) během doby trvání oprávněné záruky, bude poskytnut náhradní díl.

Náhradní díl je výhradní odpovědností společnosti NAPOLEON definované touto omezenou zárukou. V žádném případě NAPOLEON nenesou odpovědnost za instalaci, práci nebo jiné náklady nebo výdaje související s opětovným instalováním dílu v záruce, za jakékoli vedlejší, následné nebo nepřímé škody nebo za přepravní poplatky, náklady na pracovní sílu nebo vývozní cla.

Tato omezená záruka je poskytována vedle všech práv, která vám jsou poskytována místními zákony. Proto tato omezená záruka nestanoví společnosti NAPOLEON žádnou povinnost udržovat díly na skladě. Na základě dostupnosti náhradních dílů může společnost NAPOLEON podle svého uvážení splnit všechny povinnosti tím, že poskytne zákazníkovi poměrný kredit k novému produktu. Po prvním roce s ohledem na tuto omezenou záruku může společnost NAPOLEON podle svého uvážení plně splnit všechny závazky vyplývající z této záruky tím, že vrátí původnímu oprávněnému kupujícímu velkoobchodní cenu jakékoliv vadné části v záruce.

Prodejní doklad nebo kopie budou vyžadovány společně se sériovým číslem a číslem modelu při podávání záručních nároků společnosti NAPOLEON.

Společnost NAPOLEON si vyhrazuje právo nechat svého zástupce prověřit jakýkoli výrobek nebo součást před tím, než uhradí nárok na záruku. Obrátte se na svého autorizovaného prodejce Napoleon popřípadě přímo na servis dovozce NAPOLEON, abyste získali nárok na záruční plnění.

Pozn.: doživotní zárukou se myslí neomezená doba, po kterou bude produkt používán prvním a původním majitelem resp. kupujícím



napoleongrills.com



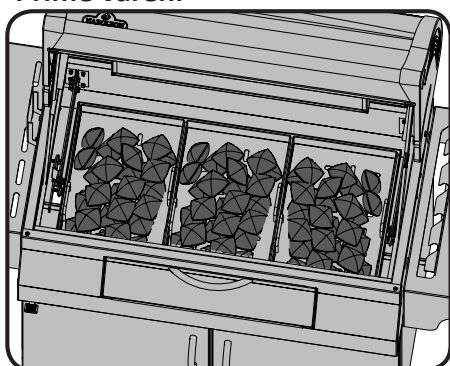
**VAROVÁNÍ!** Nedodržení těchto pokynů může mít za následek poškození majetku, riziko úrazu nebo smrt. Přečtěte si a dodržujte všechna varování a pokyny uvedené v této příručce před operací s grilem.

## Postupy bezpečného provozu

- Před používáním grilu si přečtěte celý manuál s instrukcemi.
- Za žádných okolností gril nepozměňujte.
- Při práci s grilem dbejte pokynů v instrukcích k zapalování grilu.
- Nezapalujte gril se zavřeným víkem.
- Při zapalování se nad gril nenaklánějte.
- Před zapálením grilu upevněte zadní komoru na držáky pod víkem.
- K podpalování nepoužívejte benzín, alkohol ani jiné těkavé kapaliny. Používejte pouze tekutý podpalovač určený na dřevěné uhlí. Před zapalováním uhlí se ujistěte, že jakákoliv kapalina, která se při nalévání dostala mimo dno grilu, byla odstraněna.
- Nikdy nepřidávejte tekutý podpalovač do žhavého nebo ještě teplého uhlí.
- Po použití podpalovače a před zapálením grilu uchovávejte tekutý podpalovač uzavřený a v bezpečné vzdálenosti od grilu, minimálně 7,6 m.
- Udržujte děti a domácí mazlíčky v dostatečné vzdálenosti od grilu a neumožněte dětem přístup do skříňky grilu.
- Pokud gril používáte, nenechávejte ho bez dozoru.
- Nehýbejte s grilem, pokud je horký nebo je v provozu.
- Gril neumísťujte na nebo do rekreačních vozidel nebo lodí.
- Gril musí být skladován ve venkovních prostorách, na dobře větraném místě a nesmí být používán uvnitř budov, garáží, zastřešených verand, altánků nebo jiných uzavřených prostor.
- Udržujte gril v dostatečné vzdálenosti od hořlavin (410 mm od zadní části, 180 mm od bočních stran grilu). Tato vzdálenost je také doporučena v souvislosti s vinylovými materiály a skleněnými tabulkami.
- Dbejte na to, aby přírodní otvory vzduchu grilu nebyly zahrazené nebo ucpané.
- Při seřizování nádoby na dřevěné uhlí dávejte pozor na ruce. Po celou dobu držte ruce a prsty bezpečně od zdvihacího mechanismu.
- Nepracujte s grilem pod hořlavými konstrukcemi.
- Nepracujte s grilem ani pod třešní krytinou, přístřeškem na auto, plátěným přístřeškem nebo pod střešním převisem.
- Nemísťujte gril do větrného prostředí. Vysoký vítr nepříznivě ovlivňuje výkonost grilu.
- Během předehřívání nechte víko grilu zavřené.
- Během používání grilu musí být správně připevněná nádoba na popel a odkapávání tuku.
- Čistěte nádobu na popel a odkapávání tuku pravidelně, abyste zamezili jejich hromadění, které může způsobit vznícení tuku.
- Nepoužívejte postranní poličky k odkládání podpalovače, sirek nebo jiných hořlavých materiálů.
- Gril musí stát po celou dobu na rovném povrchu.
- Nepoužívejte k hašení plamenů nebo k ochlazení uhlí vodu. Tento způsob by mohl poničit povrch grilu.
- Pro uhašení plamenů mírně přivřete přívody vzduchu. K úplnému uhašení ohně nebo uhlí zavřete přívody vzduchu úplně.
- Používejte vhodné grilovací náčiní s dlouhou žáruvzdornou rukojetí.
- Pro ochranu rukou při přípravě jídla nebo při manipulaci s přívody vzduchu používejte ochranné rukavice.
- Nevyjímejte nádobu na popel dokud nebude uhlí zcela vyhaslé. Nechte gril dostatečně vychladnout.
- Zbývající uhlí a popel odstraňte z grilu a uložte do nehořlavé kovové nádoby. V nádobě popel ponechte ještě dalších 24 hodin do další manipulace.
- Udržujte šňůru pro přívod elektřiny v dostatečné vzdálenosti od vody a vyhřívaných ploch.
- Vždy používejte gril v souladu s lokálními řády.

# Zažehávací pokyny

Přímé vaření



Nepřímé vaření



## Používání dřevěného uhlí

Metoda přípravy jídla	Doporučení k dřevěnému uhlí
Přímá příprava jídla	100
Nepřímá příprava jídla	50 po stranách *(každou hodinu grilování navíc přidejte 16 po stranách)

\* Doporučení jsou přibližná. Delší doba grilování si vyžaduje více dřevěného uhlí. Zároveň chladnější a větrné počasí bude vyžadovat více uhlí k dosažení optimální grilovací teploty.



**POZOR!** Otevřete víko.

**POZOR!** Umístěte gril ve venkovních prostorách na pevném, rovném a nehořlavém podkladu. Nikdy nestavte gril na dřevěné nebo jiné podklady, které by mohly hořet.

**POZOR!** Při zapalování grillu se nad něj nenaklánějte.

**POZOR!** Nádobu na popel musí být při zapalování a po celou dobu používání grilu upevněna na svém místě.

HLAVNÍ KOMORA METODA PŘÍMÉ PŘÍPRAVY JÍDLA	HLAVNÍ KOMORA METODA NEPŘÍMÉ PŘÍPRAVY JÍDLA	ZADNÍ KOMORA (PLYNOVÝ HOŘÁK ROŽŇE)
1. Zcela otevřete přívody vzduchu na grilu. Otevřete víko grilu a vyjměte grilovací rošty.	1. Zcela otevřete přívody vzduchu na grilu. Otevřete víko grilu a vyjměte grilovací rošty.	1. Zcela otevřete přívody vzduchu na grilu.
2. Ujistěte se, že nádoba na popel je vyčištěná od předešlého používání a upevněna zpět.	2. Ujistěte se, že nádoba na popel je vyčištěná od předešlého používání a upevněna zpět.	2. Ujistěte se, že nádoba na popel je vyčištěná od předešlého používání a upevněna zpět.
3. K zapálení grilu v koši na dřevěné uhlí používejte buď Ultracheef starter na uhlí (není součástí) podle instrukcí zahrnutých v manuálu, tuhý podpalovač nebo mírně zmačkané noviny. Umístěte dřevěné uhlí doprostřed ve tvaru kužele přímo na noviny nebo podpalovač.	3. Umístěte odkapávací nádobu do středu koše na dřevěné uhlí. V zásobníku na dřevěné uhlí zapojte přepážky na uhlí po obou stranách odkapávací nádoby. K zapalování v prostoru vymezeném přepážkami na uhlí použijte buď Ultracheef starter na uhlí (není součástí) podle instrukcí zahrnutých v manuálu, tuhý podpalovač nebo mírně zmačkané noviny. Umístěte uhlí mezi přepážky přímo na noviny nebo podpalovač.	3. Umístěte tuhý podpalovač nebo mírně zmačkané noviny do zásobníku na dřevěné uhlí. Nepřepíňujte jej. Vyjměte ohřevné mřížky. Před zapalováním se ujistěte, že zásobník je upevněn ve visící poloze z držáků na víko.
4. Zapalte noviny nebo tuhý podpalovač. Jakmile bude uhlí zapálené, nechte ho hořet dokud ho nebudou pokrývat vrstva světle šedého popela (přibližně za 20 minut).	4. Zapalte noviny nebo tuhý podpalovač. Jakmile bude uhlí zapálené, nechte ho hořet dokud ho nebudou pokrývat vrstva světle šedého popela (přibližně za 20 minut).	4. Zapalte noviny nebo tuhý podpalovač. Jakmile bude uhlí zapálené, nechte ho hořet dokud ho nebudou pokrývat vrstva světle šedého popela (přibližně za 20 minut).
5. Prohrábněte uhlí pomocí grilovacího náčiní s dlouhou a žáruvzdornou rukojetí tak, aby bylo uhlí v nádobě rovnoměrně rozprostřené.		5. Prohrábněte uhlí pomocí grilovacího náčiní s dlouhou a žáruvzdornou rukojetí tak, aby bylo uhlí v nádobě rovnoměrně rozprostřené.



**POZOR!** Nepoužívejte zadní hořák současně s hlavními hořáky.





K zapalování grilu může být používán i tekutý podpalovač, ale nejedná se o příliš doporučenou metodu. Může způsobit větší znečištění grilu a pokud se před začátkem přípravy jídla zcela nevypálí, pokrm může být mírně po podpalovači cítit. Jakmile již uhlí hoří, nikdy nepřidávejte další podpalovač. Podpalovač uchovávejte v minimální vzdálenosti 7,6 m od používaného grilu.

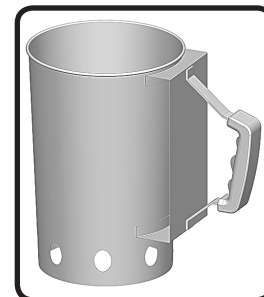


### **Bezpečné provozní postupy při používání starteru na uhlí**

#### **POZOR!**

- Pouze pro použití ve venkovních prostorách.
- Nepoužívejte starter na uhlí, pokud není upevněn na pevné, rovné mřížce na uhlí a pokud není gril postaven na pevném, rovném a nehořlavém podkladu.
- Nepokládejte starter na uhlí na žádný hořlavý povrch, dokud nebude zcela chladný.
- Nepoužívejte tekutý podpalovač, benzín nebo samozapalovací uhlí.
- Používejte starter na uhlí pouze k zapalování grilů na dřevěné uhlí.
- Při manipulaci se starterem na uhlí používejte vždy ochranné rukavice.
- Držte děti a domácí mazlíčky po celou dobu v dostatečné vzdálenosti od starter na uhlí.
- Nepoužívejte starter na uhlí za velmi větrného počasí.
- Nenechávejte starter na uhlí bez dozoru během jeho používání.
- Při zapalování se nad starter na uhlí nenaklánějte.
- Nikdy nepoužívejte starter na uhlí k jiným než určeným užitím. Nepoužívejte starter na uhlí k přípravě jídla. Dbejte zvláštní opatrnosti na padání horkého uhlí ze starter na uhlí.

CHARCOAL STARTER



CZ

### **Používání starter na uhlí**

- Otočte starter na uhlí vrchní stranou dolů.
- Zmačkejte dva celé listy novin a namačkejte je do spodní části starter na uhlí.
- Otočte jej zpět horní stranou nahoru a umístěte ho do středu mřížky na uhlí.
- Přidejte přiměřené množství uhlí, ale nepřepněte jej.
- K podpálení novin zapalte sirku a vložte do jednoho ze spodních přívodů vzduchu.
- Když vrchní vrstva uhlí bude pokryta světle šedou vrstvou popela, vezměte si ochranné rukavice a opatrně nasypejte horké uhlí na mřížku pro dřevěné uhlí (přímá příprava jídla) nebo do zásobníku na uhlí (nepřímá příprava jídla)
- Jakmile bude uhlí v grilu, prohrábněte ho grilovacím náčiním s dlouhou žáruvzdornou rukojetí tak, aby bylo rovnoměrně rozprostřené.

## Průvodce grilováním na dřevěném uhlí

Grilování na dřevěném uhlí je tradiční způsob vaření, na který jsme všichni zvyklí. Žhnoucí brikety vyzařují infračervenou energii na pokrm, který se peče, a to s velmi malou účinností sušení. Jakékoliv šťávy nebo oleje, které utíkají z potravin a kapají dolů na uhlí a odpařují ho do kouře, dává pokrmu jeho lahodnou grilovanou chuť. Pointa je, že Napoleon grily na dřevěné uhlí vytváří žár pro šťavnatější hamburger, chutnější steaky, maso a další. Bližší informace o vaření a zajímavé tipy naleznete na našich webových stránkách.

Následující tabulka grilování má být pouze vodítkem. Časy vaření jsou ovlivněny takovými faktory, jako nadmořská výška, vnější teplota, vítr a požadovaný stupeň vaření, což se odrazí ve vašem vaření. Použijte teploměr na maso, aby potraviny byly přiměřeně vařené.

### Grilovací schéma

Pokrm	Přímé/Nepřímé grilování	Doba vaření	Užitečné tipy
Steak tloušťka 2.54cm	přímé	6-8 min.– Medium	Při výběru masa pro grilování se ptejte na maso s mramorovým rozložením tuku. Tuk působí jako přírodní tenderizer a udržuje ho vlhké a šťavnaté.
Hamburger tloušťka 1.27cm	přímé	6-8 min.– Medium	Příprava hamburger je jednodušší změnu tloušťky. Chcete-li přidat exotickou chuť do masa, zkuste přidat dřevěné lupínky Ořechu na dřevěné uhlí.
Kuřecí kousky	Přímé cca. 2 min na stranu. Zbytek nepřímé až 18-20 minut.	20-25 min.	Kloub spojující stehna a nohu od boku bez kůže by měl být z ¾ nakrojený, aby se lépe maso položilo na plochu roštu. To pomůže vařit rychleji a rovnoměrněji. Chcete-li mít vlastní chuť, zkuste přidat dřevěné šupiny Mesquite na dřevěné uhlí.
Vepřové kotlety	přímé	10-15 min.	Odstraňte přebytečný tuk před grilováním. Zvolte silnější kotlety pro lepší výsledek.
Vepřová žebírka	Přímé na 5 min. Nepřímé zbytek	1.5-2 hrs. turning often	Vyberte si žebra, které jsou štíhlé a masité. Grilujte dokud nejde maso lehce od kosti.
Jehněčí kotletky	Přímé	25-30 min.	Odstraňte přebytečný tuk před grilováním. Zvolte silnější kotlety pro lepší výsledek.
Hot dogs	Přímé	4-6 min.	Zvolte větší velikost párků. Před grilováním rozřízněte podélně kůži.

## Instrukce k vaření

**Počáteční zapálení:** když zapalujeme poprvé, gril vydává mírný zápach. To je normální dočasný stav způsobený "vypálením" vnitřních nátěrových hmot a maziv používaných ve výrobním procesu a nebude se znovu opakovat. Proto ponechte gril rozpálit na vysokou teplotu asi po dobu 30 minut s otevřeným víkem a zcela otevřenými průduchy.



**VAROVÁNÍ!** Při nastavování nádoby na dřevěné uhlí, nedávejte ruce dovníř. Celou dobu udržujte ruce a prsty od zdvihacího mechanismu.

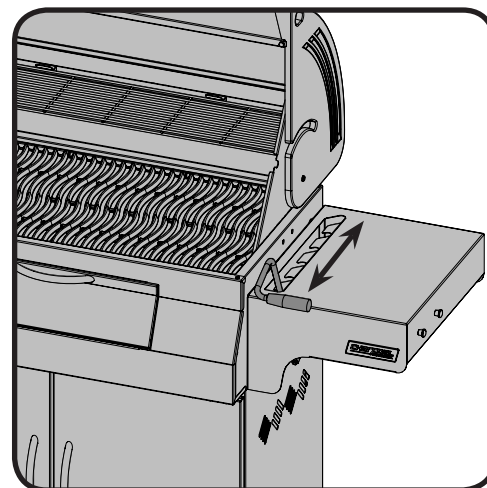
**Používání hlavní komory:** Nádoba na dřevěné uhlí má 6 pozic nastavení. Pro optimální použití doporučujeme upevnit koš na uhlí na nejvyšší pozici - tedy co nejbližší grilovacímu roštu jak je to jen možné. Nižší pozice koše vzdáleného od připravovaného jídla a uzavření přísunu vzduchu mohou snižovat teplotu.

Doporučujeme rozehrát gril s otevřeným víkem přibližně na 20 minut. Uhlí je připraveno, když ho pokrývá tenká vrstva světle šedého popela. Pokrmy, kterým postačí na přípravu krátký čas, mohou být grilovány s otevřeným víkem.

Grilování se zavřeným víkem zajišťuje vyšší a rovnoměrnější teplotu v grilu, což zkracuje dobu pečení. Při pečení velmi libového masa, jako například kuřecích prsou nebo libového vepřového, můžete před rozehrátím grilu potřít rošt olejem, aby se zabránilo přilepení masa. Příprava tučnějšího masa může vyvolat šlehání plamenů. Abyste tomu zabránili, tuk buď ořezejte nebo snižte teplotu. Pokud by plameny byly přece jen vysoké, odložte maso stranou, snižte teplotu (přivřete vzduchové otvory). Nechte víko otevřené.

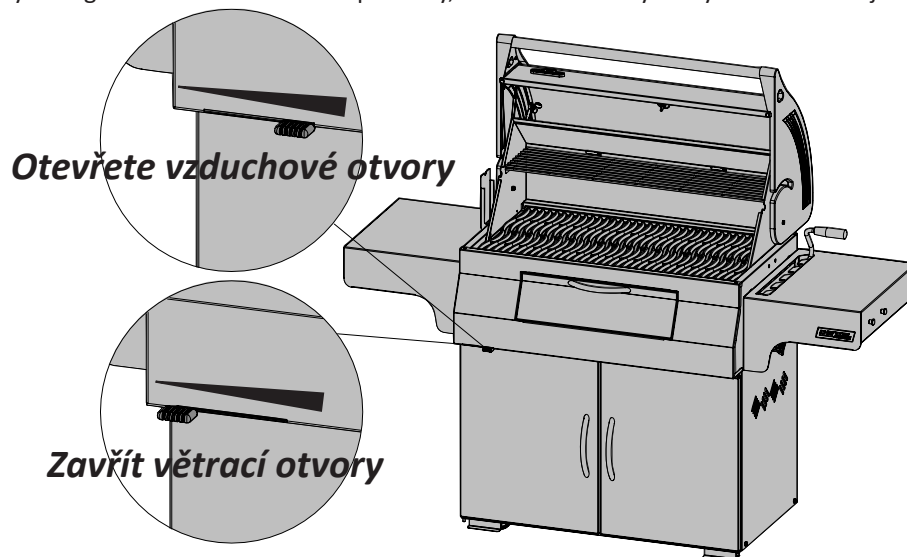
Obecně se na přípravu 2 kil masa užívá 100 briket dřevěného uhlí. Pokud již grilujete déle než 30 až 40 minut, brikety navíc musí být přidávány přímo do ohně. Při grilování za chladného či větrného počasí budete potřebovat více briket, abyste dosáhli ideální teploty pro pečení.

**Přidávání dřevěného uhlí během grilování:** Při přidávání uhlí dbejte zvýšené opatrnosti. Když uhlí přijde do kontaktu s čerstvým vzduchem, plameny mohou vyšlehnout do výšky. Opatrně otevřete dvířka umístěná na čelní straně spodní části grilu. Udržujte bezpečný odstup a k přikládání užívejte prodloužené náčiní s žáruvzdornou rukojetí.



**VAROVÁNÍ!** Nikdy nepřidávejte tekutý podpalovač do horkého nebo teplého uhlí. Pokud bylo uhlí jednou rozžhavené, více podpalovače není třeba.

**Ovládání vzduchových otvorů:** Otvory na vně grilu se obvykle otevírají doleva, aby do grilu proudil vzduch. Vzduch zvyšuje teplotu hoření uhlí. Teplotu uvnitř grilu můžete regulovat pohybáním zástrčky doleva nebo doprava. Částečné nebo úplné uzavření vzduchových otvorů pomáhá snižovat teplotu uhlí. Pokud se nechystáte gril ochladit nebo uhasit plameny, vzduchové otvory nikdy zcela nezavírejte.



**Používání zadní komory/ hořáku (pro grilovací rožeň):** Nejdříve vyjměte grilovací rošt. Rošty mohou být vyndány také pokud zasahují do hořáku. Před zapálením grilu se ujistěte, že zadní komora je upevněna na držáku umístěném uvnitř víka. Zadní komora/hořák je navržena k používání spolu s grilovací sadou doplňků která je k dostání u Vašeho dodavatele grilů. Umístěte rožeň s pečícím se masem přes záchytky uvnitř grilu. Maso bude přirozeně viset těžší stranou dolů. Utáhněte rameno se závažím tak, aby rameno směřovalo nahoru. Pohybuje protizávažím směrem vně či dovnitř tak, aby bylo maso vyvážené, ve vhodné poloze pak utáhněte. Připevněte motor a můžete začít grilovat. Umístěte dospodu misku na odkapávání výpeku, který můžete použít na polévání masa nebo na lahodnou omáčku. Výpek může být přidáván podle potřeby. Pro lepší výsledky nechávejte víko zavřené. Vaše pečeně či drůbež tak budou svrchu krásně opečené a uvnitř zůstanou šťavnaté a křehké. Například kuře o přibližné váze 1,5 kg bude na rožni při mírné teplotě hotové přibližně za 1,5 hodiny. V případě přidávání briket dřevěného uhlí stůjte v bezpečné vzdálenosti a užívejte grilovací náčiní s žáruvzdornou rukojetí.



**VAROVÁNÍ!** Komoru montujte pouze pokud se jí chystáte využít.



**VAROVÁNÍ!** Nikdy nepřidávejte tekutý podpalovač do teplého či horkého uhlí, pokud bylo uhlí jednou rozžhavené, více podpalovače není třeba.



## Bezpečnostní pokyny po použití

**VAROVÁNÍ!** Chcete-li chránit sebe a svůj majetek před poškozením, pečlivě dodržujte následující bezpečnostní opatření.

- Zavřete víko grilu a všechny otvory pro uhašení ohně
- Vždy nechte gril vychladnout před další manipulací
- Nikdy nenechávejte uhlíky a popel na grilu bez dozoru. Ujistěte se, že uhlíky a popel je před odstraněním zcela uhašen.
- Použijte kovové špachtle nebo lopatky k odstranění zbývajících uhlí a popelu z grilu. Umístěte ho do nehořlavé kovové nádoby a zalijte vodou. Nechte to odstát dalších 24 hodin před další likvidací.

# Údržba/návod na čištění

Doporučuje se, aby popelník byl vyprázdněn po každém použití.



**VAROVÁNÍ!** Ujistěte se, že gril je v pořádku a všechny uhlíky jsou kompletně uhašeny před odebráním jakékoliv části z vašeho grilu.

**VAROVÁNÍ!** Při čištění vašeho grilu vždy používejte ochranné rukavice a ochranné brýle.

**VAROVÁNÍ!** Nepoužívejte tlakovou myčku na čištění jakékoliv části grilu.

**VAROVÁNÍ!** Aby se zabránilo možnosti popálení, provádějte údržbu pouze tehdy, když je gril vychladnutý. Vyhněte se nechráněnému kontaktu s horkými povrchy. Vyčistěte mřížku v oblasti, kde čisticí roztoky nepoškodí paluby, trávničky, nebo terasy. Nepoužívejte čističe trouby k čištění jakékoli části tohoto grilu. Barbecue omáčka a sůl může být žíravá a může způsobit rychlé zhoršování prvků mřížky, pokud nebudou pravidelně čištěny.

**Mřížky a oteplování Rack:** Mřížka a desky se čistí nejlépe kartáčem s mosazným drátem po vypálení grilu. Ocelový kartáč je vhodný pro silné/odolné znečištění.

**Čištění vnitřku grilu:** Vyjměte grilovací rošty. K vyčištění nečistot z vnitřku víka použijte mosazný drátěný kartáč. Seškrábejte vnitřní části grilu stěrkou nebo škrabkou a k vymetení popela použijte opět mosazný drátěný kartáč. Smeťte nečistoty z vnitřku grilu do vyjímatelné nádoby na popel. Pokud budete chtít, můžete vnitřek grilu omýt šetrným čističem a vodou. Dobře opláchněte a otřete do sucha.



**VAROVÁNÍ!** Nahromaděný tuk je nebezpečný kvůli požáru. Vyčistěte odkapávací misku po každém použití, aby se zabránilo hromadění mastnoty.

**Odkapávací miska na popel a tuk:** Popel, mastnotu a zbytkový tuk se zachycuje v odkapávací misce. K čištění posuňte misku. Nikdy na misku s hliníkovou fólií nepoužívejte písek nebo jiný materiál, protože by to mohlo zabránit odtékání tuku. Miska by měla být vyškrábnuta stěrkou nebo škrabkou, a všechny nečistoty smeteny do nehořlavé kovové nádoby. Umyjte odkapávací plech jemným mycím prostředkem a vodou. Důkladně opláchněte čistou vodou a vytřete do sucha.

**Čištění vnějšího povrchu grilu:** Nepoužívejte abrazivní čisticí prostředky ani drátěnku na jakémkoliv lakovaném, porcelánovém nebo nerezovém povrchu vašeho Grilu Napoleon. Pokud tak učiníte, poškrábejte povrch grilu. Vnější grilovací plocha by měla být čištěna výhradně teplou mýdlovou vodou. K čištění nerezových ploch, použijte neabrazivní čistič. Vždy otírejte ve směru vláken. V průběhu používání mohou nerezové díly změnit po zahřátí barvy, obvykle do zlatého nebo hnědého odstínu. Toto zbarvení je normální a nemá to vliv na výkon a funkci grilu. Se smaltovými komponenty je nutno zacházet s opatrností. Originál čisticí prostředky můžete zakoupit u Vašeho prodejce NAPOLEON.

## Odstraňování problémů

Problém	Možné příčiny	Řešení
Nízká teplota / malé plameny.	<p>Nesprávné předehřátí.</p> <p>Nedostatek proudícího vzduchu.</p> <p>Málo dřevěného uhlí.</p> <p>Víko bylo často otevírané.</p>	<p>Nechte uhlí hořet dokud nebude pokryté vrstvou světle šedého popela (obvykle po 20-25 minutách)</p> <p>Otevřete vzduchové otvory.</p> <p>Přidejte více dřevěného uhlí do zásobníku.</p> <p>Nechte při přípravě jídla víko zavřené. Při každém otevření se teplota v grilu snižuje a tím se prodlužuje doba vaření.</p>
Nadměrné hoření (vzplanutí) / nerovnoměrně rozložené teplo.	<p>Nesprávné předehřátí.</p> <p>Nadměrné množství tuku a popela v popelníku.</p>	<p>Předehřívajte gril se zavřeným víkem 20-25 minut a uhlí rovnoměrně rozprostřete.</p> <p>Čistěte nádobu na popel pravidelně. Nevykládejte ji aluminiovou fólií. Nahlédněte do návodu k čištění.</p>
“Nátěr” uvnitř víka vypadá jako by se loupal.	Tuk je nahromaděný a ulpívá na vnitřních plochách grilu.	Nejde o vadu. Závěrečná vrstva víka je porcelánová a neloupe se. Loupání je zapříčiněno ztvrdlým tukem, který zaschne a vypadá jako nátěr, ten se později odloupává. Tvorbě tukové vrstvy zabráníte pravidelným čištěním. Nahlédněte do návodu k čištění.

# Grilování na dřevěném uhlí přehledně

## Zapalování Vašeho grilu

- Před první přípravou jídla doporučujeme na 30 minut rozpálit gril na vysokou teplotu s otevřeným víkem a větracími otvory. Dojde tím k vypálení konzervačních látek, které byly použité při výrobě.
- Při každém zapalování grilu mějte otevřené vzduchové otvory na víku i na spodní části grilu.
- Ujistěte se, že nádoba na popel je čistá od předešlého užívání a uchycena zpět.
- K zapalování používejte Ultrachef Charcoal zapalovač (není součástí) podle instrukcí obsažených v manuálu. Umístěte dřevěné uhlí do hromádky ve tvaru kužele (pro případ přímé přípravy jídla) nebo libovolně do koše na dřevěné uhlí (v případě nepřímé přípravy jídla).
- Jakmile je gril zcela rozpálený, zavřete víko a nechte uhlí hořet, dokud ho nezačne pokrývat vrstva světle šedého popela (přibližně po 20 minutách), pak prohrábněte uhlí náhradím s žáruvzdornou rukojetí tak, jak bude vyhovovat Vaší metodě přípravy jídla.
- K podpalování dřevěného uhlí mohou být užívány i tekuté podpalovače, ale jde o méně doporučovanou metodu. Může způsobit větší znečištění grilu a pokud by se látka zcela nevypálila, pokrm by mohl látkou načichnout. Jakmile je gril rozpálen, nikdy už tekuté podpalovače dodatečně nepřidávejte. Láhev s tekutým podpalovačem uchovávejte minimálně 7,6 m od grilu během jeho používání.
- Dodatečné kouřové vůně (příchuť) může být dosaženo přidáním kouřových chipsů (lupínků), které jsou k dostání v různých příchuťových variacích u Vašeho dodavatele Napoleon.

## Příprava jídla s Vaším grilem

- Doporučujeme rozehrát gril se zavřeným víkem přibližně na 20 minut. Uhlí je připraveno ke grilování, když se na něm objeví vrstvička světle šedého popela.
- Obecně platí, že na 1 kg masa se používá okolo 50 briket dřevěného uhlí. V případě potřeby přiložení po více než 30 až 40 minutách grilování musí být briкеты přidávány do ohně. Pokud budete grilovat za chladného nebo větrného počasí, budete potřebovat více briket k dosažení optimální teploty.
- Při přikládání briket buďte opatrní. Když uhlí přijde do styku s čerstvým vzduchem, mohou plameny vyšlehnout do výšky. Stůjte tedy v bezpečné vzdálenosti a pro přikládání užívejte nejlépe dostatečně dlouhé grilovací náčiní s žáruvzdornou rukojetí.
- Vzduchové otvory na víku nechte otevřené pro proudění vzduchu do grilu. Vzduch zvýší teplotu hoření dřevěného uhlí. Teplotu grilu můžete regulovat posouváním zástrčky větracího otvoru doprava či doleva.
- Během přípravy jídla nechte víko grilu zavřené. Při každém odklopení víka se teplota v grilu snižuje a tím se doba přípravy jídla prodlužuje.
- Částečné či úplné přivírání vzduchových otvorů pomáhá snižovat teplotu uhlí. Nezavírejte tedy vzduchové otvory ve spodní části grilu ani na víku úplně, pokud nebudete mít v úmyslu gril ochladit nebo uhasit plameny.
- Aby se omezilo lepení masa k roštu, je možné ho před nahřátím potřít olejem.
- Používejte teploměr na měření vnitřní teploty masa, abyste zajistili jeho dostatečnou úpravu.

## Čištění grilu

- Pro uhašení ohně zavřete víko grilu a všechny vzduchové otvory.
- Před manipulací nechte gril vždy zcela vychladnout.
- Nikdy nenechávejte uhlí a popel v grilu bez dozoru. Před vyjímáním uhlí a popela se ujistěte, že jsou zcela vyhaslé.
- K vyjmutí uhlí a popela použijte kovovou špachtli nebo lopatku. Uhlí a popel uložte do nehořlavé kovové nádoby a zalijte vodou. Nechte nádobu stát dalších 24 hodin před úplným odstraněním obsahu.
- K vyčištění mísy a vnitřku víka od zbylých nečistot použijte mosazný drátěný kartáč.
- Vnitřek grilu umyjte šetrným přípravkem a vodou. Pak jej opláchněte čistou vodou a otřete do sucha.
- Porcelánové smaltované součásti musí být ošetřovány se zvláštní péčí. Vypálená smaltovaná úprava je jako sklo a snadno se poškrábe. Přípravky pro opravy a retušování jsou k dispozici u Vašeho dodavatele Napoleon.

*Uchovejte svůj pokladní doklad o nákupu, abyste mohli potvrdit svou záruku.*

## Objednávání náhradních dílů

### Informace o záruce

MODEL: \_\_\_\_\_

Datum nákupu: \_\_\_\_\_

Výrobní číslo: \_\_\_\_\_

### ***(Záznam informací naleznete zde pro přehlednost)***

Než se obrátíte na vašeho prodejce, podívejte se na webové stránky Napoleon Grills, kde naleznete rozsáhlejší pokyny pro čištění, údržbu, odstraňování a náhradní díly - [www.napoleongrills.cz](http://www.napoleongrills.cz). Pro náhradní díly a záruční reklamace se obraťte přímo na místního distributora / prodejce (viz seznam kontaktů na webu). Obraťte se na vašeho prodejce ve věcu náhradních dílů a záručních reklamací. Pro zpracování Vaší žádosti budeme potřebovat následující informace:

1. Model a sériové číslo přístroje.
2. Objednací číslo a popis
3. Stručný popis problému
4. Doklad o koupi (fotokopie faktury).

V některých případech reklamace může zástupce Napoleonu požádat o vrácení reklamovaného dílu do továrny na kontrolu před poskytnutím náhradních dílů.

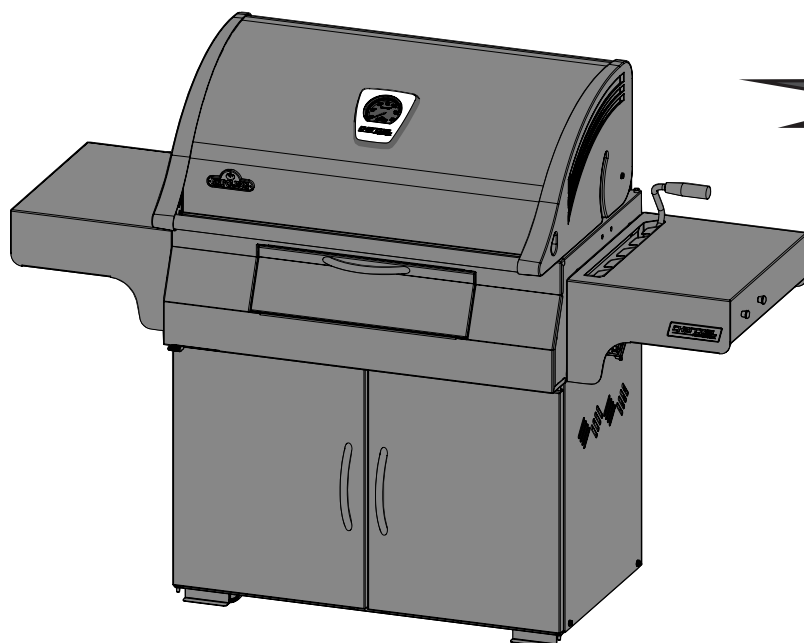
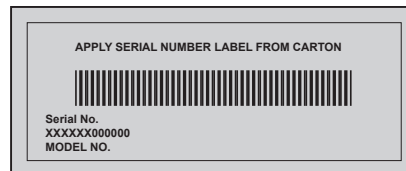
- Než se obrátíte na vašeho prodejce Napoleon, prosím vezměte na vědomí, že na následující položky se nevztahuje záruka:
- náklady na dopravu, zprostředkování nebo vývozní clo, mzdové náklady na odstranění a instalaci,
- náklady na služby a volání k diagnostice problem, změna barvy korozivzdorné oceli,
- selhání v důsledku nedostatečného čištění a údržby nebo používání nevhodných čisticích prostředků (čističe trouby).



## MONTÁŽ A ÚDRŽBA MANUÁL NA POUŽITÍ

TENTO GRIL SA MUSÍ POUŽÍVAŤ VONKU NA DOBRE VETRANOM MIESTE  
USCHOVAJTE TENTO NÁVOD PRE BUDÚCE POUŽITIE

# OUTDOOR CHARCOAL GRILL



**PRO605CSS**

SK



### **VAROVANIE**

Nepokúšajte sa zapáliť toto zariadenie, bez toho aby ste si prečítali oddiel "Horenie" v tomto návode na obsluhu.



### **NEBEZPEČENSTVO**

Spaľovania uhlia produkuje oxid uhoľnatý. Nepáľte uhlia v domácnostiach, garážach, stanoch, vozidlách alebo akýchkoľvek uzavretých priestoroch.



**VAROVANIE!** Nedodržanie presných pokynov môže viesť k požiaru a spôsobiť vážne zranenie alebo smrť.

Wolf Steel Ltd.  
214 Bayview Drive,  
Barrie, Ontario, CANADA L4N 4Y8  
[grills@napoleonproducts.com](mailto:grills@napoleonproducts.com)

Wolf Steel Europe BV  
Poppenbouwing 29-31, 4191 NZ Geldermalsen,  
CCI No. 51509970, THE NETHERLANDS  
[info@napoleongrills.nl](mailto:info@napoleongrills.nl)

# Napoleon Prezidentská 15-ročná Obmedzená Záruka



Výrobky NAPOLEON sú navrhnuté s vynikajúcimi komponentmi a materiálmi a sú tvorené vyškolenými remeselníkmi, ktorí sa chvália svojím dielom. Sestava horákov a ventilov je dôkladne testovaná na funkčnosť a únik na skúšobnej stanici kvality. Tento produkt pred balením a prepravou dôkladne skontrolovali kvalifikovaní technici, aby sa zabezpečilo, že zákazník dostane kvalitný produkt, ktorý očakávate od spoločnosti NAPOLEON.

**NAPOLEON ručí za komponenty Vášho nového produktu Napoleon z hľadiska chyby materiálu a spracovania od dátumu predaja po nasledujúce obdobie:**

Hliníkové kryty / nerezová konštrukcia .....	<b>15 rokov</b>
Nerezové veko .....	<b>15 rokov</b>
Smaltované veko .....	<b>15 rokov</b>
Nerezové grilovacie rošty .....	<b>15 rokov</b>
Nerezové trubicové horáky .....	<b>10 rokov plné krytie, plus do 15.roku zľavu 50% na diel</b>
Nerezové kryty horákov .....	<b>5 rokov plné krytie, plus do 15.roku zľavu 50% na diel</b>
Smaltované liatinové rošty .....	<b>5 rokov plné krytie, plus do 15.roku zľavu 50% na diel</b>
Keramicke infračervené horáky (okrem mriežky) .....	<b>5 rokov plné krytie, plus do 15.roku zľavu 50% na diel</b>
Všetky ostatné diely .....	<b>2 roky</b>

SK

## \*Podmienky a obmedzenia

Táto obmedzená záruka vytvára záručnú lehotu, ako je uvedená vo vyššie uvedenej tabuľke, pre produkt zakúpený prostredníctvom autorizovaného predajcu NAPOLEON a oprávňuje pôvodného kupujúceho k stanovenému krytiu v záručnej dobe, a to buď spoločnosťou NAPOLEON alebo autorizovaným predajcom spoločnosťou NAPOLEON, aby nahradil súčasť takéhoto výrobku, ktorý zlyhal pri bežnom súkromnom použití v dôsledku výrobných chýb. "50% zľava" uvedená v tabuľke znamená, že súčasťka je k dispozícii kupujúcemu za 50% zľavu z bežnej maloobchodnej ceny komponent v uvedenom období. Táto obmedzená záruka sa nevzťahuje na príslušenstvo alebo bonusové položky.

Na vysvetlenie "bežná súkromná potreba" výrobku znamená, že výrobok: bol nainštalovaný autorizovaným servisným technikom alebo dodávateľom v súlade s pokynmi na inštaláciu, ktoré sú súčasťou výrobku a všetkými miestnymi a národnými predpismi pre budovy a protipožiaru ochranu; boli riadne dodržané; a výrobok nebol používaný ako komunálne zariadenia alebo v komerčnej sfére.

Záruka tiež nezahŕňa: prekúrenie, neštandardné horenie spôsobené okolitými podmienkami, ako je silný vietor alebo nedostatočná ventilácia, škrabance, preliačiny, koróziu, poleptanie náterov, sfarbenie spôsobené teplom, abrazívnymi alebo chemickými čistiacimi prostriedkami alebo pôsobením UV žiarenia, rozbitie porcelánových či smaltovaných častí alebo škody spôsobené nesprávnym použitím, nehodou, krupobitím, hasením požiaru, nedostatočnou údržbou, nevhodným pôsobením či prostredím ako je soľ alebo chlór, zmeny, úpravy, zanedbanie alebo časti inštalovanej od iných výrobcov. Pokiaľ dôjde k poškodeniu častí, ktoré by už nebolo možné používať (proreznutie alebo prehorenie) počas doby trvania oprávnej záruky, bude poskytnutý náhradný diel.

Náhradný diel je výhradnou zodpovednosťou spoločnosti NAPOLEON definovanej touto obmedzenou zárukou. V žiadnom prípade NAPOLEON nenesie zodpovednosť za inštaláciu, prácu alebo iné náklady alebo výdavky spojené s opätovným inštalovaním dielu v záruke, za akékoľvek vedľajšie, následné alebo nepriame škody alebo za prepravné poplatky, náklady na pracovnú silu alebo vývozné clá.

Táto obmedzená záruka je poskytovaná popri všetkých práv, ktoré vám sú poskytované miestnymi zákonmi. Preto táto obmedzená záruka nestanovuje spoločnosťou NAPOLEON žiadnu povinnosť udržiavať diely na sklade. Na základe dostupnosti náhradných dielov môže spoločnosť NAPOLEON podľa svojho uváženia splniť všetky povinnosti tým, že poskytne zákazníkovi pomerný kredit k novému produktu. Po prvom roku s ohľadom na túto obmedzenú záruku môže spoločnosť NAPOLEON podľa svojho uváženia plne plniť všetky záväzky vyplývajúce z tejto záruky tým, že vráti pôvodnému oprávnenému kupujúcemu veľkoobchodnú cenu akékoľvek chybné časti v záruke.

Predajný doklad alebo kópie budú vyžadované spoločne so sériovým číslom a číslom modelu pri podávaní záručných nárokov spoločnosťou NAPOLEON. Spoločnosť NAPOLEON si vyhradzuje právo nechať svojho zástupcu preveriť akýkoľvek výrobok alebo súčasť pred tým, než uhradí nárok na záruku. Obráťte sa na svojho autorizovaného predajcu Napoleon prípadne priamo na servis dovozca NAPOLEON, aby ste získali nárok na záručné plnenie.

Pozn.: doživotnou zárukou sa myslí neobmedzená doba, po ktorú bude produkt používaný prvým a pôvodným majiteľom resp. kupujúcim



napoleongrills.com



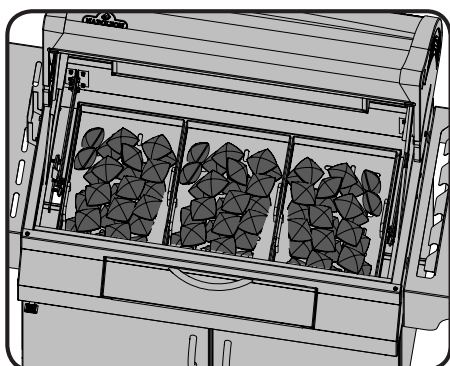
**VAROVANIE!** Nedodržanie týchto pokynov môže viesť k poškodeniu majetku, úrazu alebo smrti. Prečítajte si všetky upozornenia a dodržujte pokyny z tejto príručky pred prevádzkou grilu.

## Bezpečné prevádzkové postupy

- Prečítajte si celý návod pred použitím grilu.
- Za žiadnych okolností by mala byť vykonaná zmenená tohto grilu.
- Postupujte pozorne podľa prevádzkového návodu pri prevádzke grilu.
- Nepoužívajte drevené uhlie so zatvoreným vekom.
- Nenakláňajte sa nad gril pri zapáľovaní.
- Pred zapálením zadného horáku musí byť v poloze na držiakov vnútornej strany víka.
- Nepoužívajte benzín, alkohol alebo iné vysoko prchavé tekutiny na zapálenie dreveného uhlia. Používajte iba drevené uhlie a štartovacie kvapalinu schválenú pre zapálenie uhlia. Uistite sa, že všetky kvapaliny, ktoré mohli pretiecť cez dno grilu sú odstránené pred zapálením uhlia.
- štartér dreveného uhlia by nikdy nemali byť pridaný na horúce alebo dokonca teplé uhličky.
- Po použití a pred zapálením, štartovacie kvapaliny dreveného uhlia by mali byť uzavreté a uložené v bezpečnej vzdialenosti od grilu, najmenej 25 stôp (7,6 m).
- Udržujte deti a domáce zvieratá mimo dosahu horúceho grilu, nedovoľte deťom šplhať vnútri skrine.
- Ak je gril v prevádzke nenechávajte ho bez dozoru.
- Nehýbte grilom za tepla alebo v prevádzke.
- Tento gril nesmie byť inštalovaný v alebo na rekreačných vozidlách alebo lodiach.
- Tento gril sa musí skladovať iba vonku na dobre vetranom mieste, nesmie byť používaný vo vnútri budovy, garáže, vo verande, altánku alebo iných uzavretých priestoroch.
- Udržujte správnu vzdialenosť od horľavín 16 "(410 mm) na zadnej strane jednotky 7" (180 mm), do strán). Táto vôľa sa tiež odporúča u vinylové dosky alebo tabule skla.
- Za všetkých okolností zachovať ventilačné otvory čisté.
- Nekladte ruky do grilu pri nastavovaní zásobníka uhlia. Udržujte ruky a prsty od zdvíhacieho mechanizmu za všetkých okolností.
- Nepoužívajte prístroj na žiadnych horľavých konštrukciách.
- Nepoužívajte tento gril pod ľubovoľnou stropnou konštrukciou, ako sú strešné krytiny, prístrešky, markízy a previsy.
- neumiestňujte do vetra. Silný vietor môže nepriaznivo ovplyvniť výkon varenie na grile.
- Veko musí byť počas doby predhrievanie uzavreté.
- Zásobník popola / tuku, musí byť zavedené pri použití grilu.
- Čistite zásobník popola / tuku pravidelne, aby sa zabránilo nahromadeniu, to môže viesť k požiaru zvýšeného tuku.
- Nepoužívajte bočné police pre uloženie zapaľovače, zápaliiek alebo iné horľaviny.
- gril by mal byť na rovnom povrchu, za všetkých okolností.
- Nikdy nepoužívajte vodu na ovládanie vzplanutia alebo uhasenie uhlie, pretože by mohlo dôjsť k poškodeniu povrch grilu.
- Pre ovládanie flare-ups, ľahko zatvorte vetracie otvory na grile. Ak chcete úplne uhasiť uhlie / oheň, zatvorte všetky vetracie otvory a veko úplne.
- Používajte správne grilovacie nástroje s dlhými ušami, tepelne odolné.
- Používajte horúčave odolné rukavice k ochrane rúk počas grilovania alebo rozoberanie grilu..
- Neodstraňujte popol z grilu, kým sa nie sú všetky drevená uhlie úplne vyhorená. Nechajte dostatok času na vychladnutie.
- Zostávajúce uhlie a popol musí byť odstránené z grilu a uložené v nehorľavé kovovej nádobe. Nechajte v kovovej nádobe ešte 24 hodín pred likvidáciou.
- Udržujte elektrickej napájacej šnúry mimo dosahu vody alebo horúcej plochy.
- Vždy používajte gril v súlade s miestnymi predpismi.

# Pokyny zapálenia

## PRIAME VARENIE



## NEPRIAME VARENIE



### Použitý uhelný gril

Priemer grilu	Odporúčaná metóda	na drevenom uhlí
22" (56cm)	Priame varenie	50
22" (56cm)	Nepriame varenie	25 na každej strane *( Pridať 8 ďalších na každú stranu za každú ďalšiu hodinu varenia)

\* Odporúčanie množstvo dreveného uhlia je orientačné, dlhšia doba varenia vyžadujú ďalšie uhlie, ktoré sa dopĺňa. Rovnako tak, keď bude chladnejšie, veterné počasie vyžadujúce ďalšie drevené uhlie pre dosiahnutie ideálnej teploty varenia.



**VAROVANIE!** Otvorte veko.

**VAROVANIE!** Umiestnite gril vonku na pevný, úroveň, nehorľavý podklad. Nikdy nepoužívajte gril na drevených či iných povrchoch, ktoré by mohli horieť.

**VAROVANIE!** Nenakláňajte sa nad gril pri zapaľovaní dreveného uhlia.

**VAROVANIE!** Popolník musí byť na svojom mieste počas zapálenia grilu a kedykoľvek v priebehu používania.

HLAVNÉ KOMORA ZAPÁLENIE PRIAMA METÓDA VARENIE	HLAVNÉ KOMORA ZAPÁLENIE NEPRIAMA METÓDA VARENIE	Zadné osvetlenie komory (Horák na Rotisserie)
1. Úplne otvorte priechod grilu. Otvorte veko grilu a odstráňte mriežky varenie.	1. Úplne otvorte priechod grilu. Otvorte veko grilu a odstráňte mriežky varenie.	1. Úplne otvorte priechod grilu.
2. Uistite sa, že je popol vyčistite z predchádzajúceho použitia a potom znovu nainštalujte.	2. Uistite sa, že je popol vyčistite z predchádzajúceho použitia a potom znovu nainštalujte.	2. Uistite sa, že je popol vyčistite z predchádzajúceho použitia a potom znovu nainštalujte.
3. Pomocou buď Ultrachef Charcoal Starter (nie je súčasťou balenia) podľa pokynov v manuáli, alebo umiestnite ľahší kocky alebo ľahko pokrčené noviny na zásobník dreveného uhlia. Umiestnite uhlie na hromadu v tvare kužela v stredu jednotky na noviny alebo ľahšie kocky.	3. Pomocou buď Ultrachef Charcoal Starter (nie je súčasťou balenia) podľa pokynov v manuáli, alebo umiestnite ľahší kocky alebo ľahko pokrčené noviny na zásobník dreveného uhlia. Umiestnite uhlie na hromadu v tvare kužela v stredu jednotky na noviny alebo ľahšie kocky.	3. umiestnite ľahší kocky alebo ľahko pokrčené noviny na zásobník dreveného uhlia. Nepreplňujte. Vyberte ohrievaci rošt. Uistite sa, kôš visí v poloh z držiakov, pred zapálením.
4. Zapáľte noviny alebo ľahšie kocky. Akonáhle sa rozhorí, zatvorte veko a nechajte uhlie horieť, kým nie je pokrytá svetlo šedým popolom (približne 20 minút).	4. Zapáľte noviny alebo ľahšie kocky. Akonáhle sa rozhorí, zatvorte veko a nechajte uhlie horieť, kým nie je pokrytá svetlo šedým popolom (približne 20 minút).	4. Zapáľte noviny alebo ľahšie kocky. Akonáhle sa rozhorí, zatvorte veko a nechajte uhlie horieť, kým nie je pokrytá svetlo šedým popolom (približne 20 minút).
5. Pomocou klieští s ušami tepelne odolnými, drevom rovnomerne pokryte celý zásobník uhlia		5. Pomocou klieští s ušami tepelne odolnými, drevom rovnomerne.



**VAROVANIE!** NEPOUŽÍVAJTE za prevádzky zadnú komoru s hlavnou komorou.



Možno použiť štartovacie kvapalinu na zapálenie uhlie, ale nie je to uprednostňovaná metóda. Môže to Nepriame zanechať chemickú chuť na jedle, pokiaľ nie je úplne kvapalina spálená pred varením. Akonáhle horí, nikdy nepridávajte ďalšie štartovacie kvapalinu na gril. Uchovávajte fľaštičku prinajmenšom 25 stôp (7,6 m) pri prevádzke od grilu.

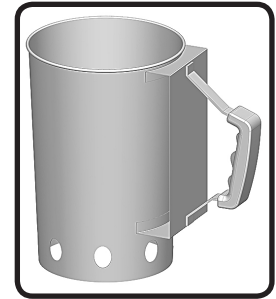


## Štartér uhlie bezpečné prevádzkové postupy

### POZOR!

- Len pre vonkajšie použitie.
- Nepoužívajte štartér uhlie, pokiaľ gril nie je umiestnený na pevnom, rovnom, nehorľavom podklade.
- Nedávajte štartér na drevené uhlie na povrch ktorý je horľavý, ak štartér nie je úplne vychladnutý.
- Nepoužívajte benzín, alebo samovznecujúci podpalovače.
- Používajte iba štartér na drevené uhlie.
- Pri manipulácii so štartérom vždy používajte ochranné rukavice.
- Udržujte deti a domáce zvieratá mimo štartér na drevené uhlie, za všetkých okolností.
- Nepoužívajte štartér na uhlie v silnom vetre.
- Nenechávajte štartér na drevené uhlie pri používaní bez dozoru.
- Nenakláňajte nad drevené uhlie pri zapálení štartéra.
- Nikdy nepoužívajte štartér na drevené uhlie, pre iné ako určené použitie. Nepoužívajte štartér k príprave jedla.
- Budte mimoriadne opatrní pri nalievaní štartéra na žeravé uhlíky.

ŠTARTÉR UHLIE



SK

## Použitie štartéra na drevené uhlie

- Otočte štartér hore nohami.
- Zmačkejte listy novín a napchajte je pod štartér na drevené uhlie.
- Otočte pravú stranu štartéra na drevené uhlie hore a umiestnite ho do stredy dreveného uhlia roštu.
- Pridajte zodpovedajúce množstvo dreveného uhlia, ale nie viac ako na vypnuté.
- Zapáľte zápalku a vložte ju do jedného z vetracích otvorov dole a zapáľte papier.
- Keď má horná vrstva uhlia slabú vrstvu sivého popola, použite ochranné rukavice a opatrne rozprestrite uhlia na rošte (priama metóda varenia), alebo po stranách (nepriama metóda).
- Ako náhle je horúce uhlie umiestnené na grile, môžete ho rovnomerne rozhrnúť pomocou klieští s tepelne odolnou rukoväťou.

## Príručka varenie s dreveným uhlím

varenie na drevenom uhlí je tradičný spôsob, aký všetci dobre poznáme. Žeravé brikety vyžarujú infračervenú energiu do potravín, s veľmi malým efektom vysušenie potravín. Akékoľvek šťavy Alebo oleja, ktoré odkvapávajú z potravín na drevenom uhlí, sa výpar a dym dá potravinám lahodná grilovanie chuť. Pointa je, že Napoleon gril na drevené uhlie vyrába spaľujúce teplo pre šťavnatejšie, chutnejšie steaky, hamburgery a iné mäso .. Pre doby varenia a tipy nájdete karte infračerveného grilovanie.

Nasledujúca tabuľka grilovanie, má byť iba vodítkom. Časy varenia sú ovplyvnené faktormi ako nadmorská výška, vonkajšia teplota, vietor, a požadovanú chuť, to sa odrazí na vašej dobe varenia. Použite teplomer na mäso, aby ste si overili či sú potraviny dostatočne uvarené.

### Tabuľka grilovanie na drevenom uhlie

Jedlo	Priame / Nepriame teplo	Čas varení	Užitočné návrhy
Steak 2.54cm tlstý	Priame teplo	6-8 min.- Medium	Pri výbere mäso pre grilovanie, spýtajte sa na mramorovej rozloženie telesného tuku. Tuk pôsobí ako prírodná masť pri varení a udržuje jedlo vlhké a šťavnaté.
Hamburger 1.27cm tlstý	Priame teplo	6-8 min.- Medium	Príprava hamburgerov na želanie je ľahšie zmenou hrúbky vašich fašírok. Ak chcete pridať exotickú chuť pre vaše mäso, skúste pridať hickory-biely orech drevené šupiny od Napoleon.
Kurací kúsky	Priame teplo asi 2 minúty na každej strane. Nepriame tepla zvyšných 18-20 min.	20-25 min.	Spájaná stehná a nohy zo strany bez kože by mali byť naporciované na 3/4 aby sa lepe položilo mäso na gril. Mäso sa griluje rýchlejšie a rovnomernejšie. Ak chcete pridať chuť do vášho varenia, skúste pridať mesquite vonné drevené šupiny Napoleon do udiacej rúrky.
bravčové kotlety	Priame teplo	10-15 min.	Odstráňte prebytočný tuk pred grilovaním. Zvoľte extra silné kotlety pre lepší výsledky
Rebrá	Priame teplo 5 min. Nepriame teplo až do konca.	1.5-2 hod. často otáčame	Vyberte si rebrá, ktoré sú chudé a mäsitá. Grilujte, kým sa mäso ľahko oddelí od kostí.
jahňacie kotlety	Priame teplo	25-30 min.	Odstráňte prebytočný tuk pred grilovaním. Zvoľte extra silné kotlety na ďalšie konanie.
Párok v rožku	Priame teplo	4-6 min.	Zvoľte väčšiu veľkosť viedeňských parkov. Rozrežte kožu pozdĺžne pred grilovaním.

# Návod grilovanie

**Počítačové zapálenie:** pri prvom zapálení, bude gril vydávať mierny zápach plynu. To je normálne dočasný stav spôsobený vypálením vnútorných náterových hmôt a mazív používaných vo výrobnom procese, a nebude sa opakovať



**VAROVANIE!** Nikdy nedávajte ruky do grilu pri úprave zásobníka uhlia. Ruky a prsty dejte pryč od zdvíhacího mechanizmu, za všetkých okolností.

**Hlavná komora Použitie:** uhlie zásobník má šesť polôh, v ktorom to môže fungovať. Pre optimálne využitie, doporučujeme zamykanie uhlie zásobník v najvyššej polohe čo najbližšie k vareniu sietí ako je to možné. Zníženie zásobník od potravín podľa potreby, a zatváranie sacích otvorov môže znížiť teplotu.

Odporúčame predhrievanie gril prevádzkovaním s uzavretým vekom počas približne 20 minút. Uhlíky sú pripravené, keď majú slabú vrstvu sivého popola. Potraviny varené na krátku dobu (ryby, zelenina) môže byť na grile s otvoreným vekom. Varenie s uzavretým vekom zaisťuje vyššiu, dokonca aj teploty, ktoré znížia čas varenia a variť jedlo rovnomernejšie. Pri varení veľmi chudé mäso, ako je kuracie prsia alebo chudého bravčového mäsa, mriežky možno naolejovať pred predhrievanie pre zníženie lepenie. Varenie mäsa s vysokým stupňom obsah tuku, môže vytvárať vzplanutí. Redukujte Množstvo Tuku Alebo znížte teplotu. V prípade, že vzplanutia dôjde, presuňte jedlo od plameňov; znížiť teplotu (zníženie vetrací otvor). Nechajte veko otvorené.

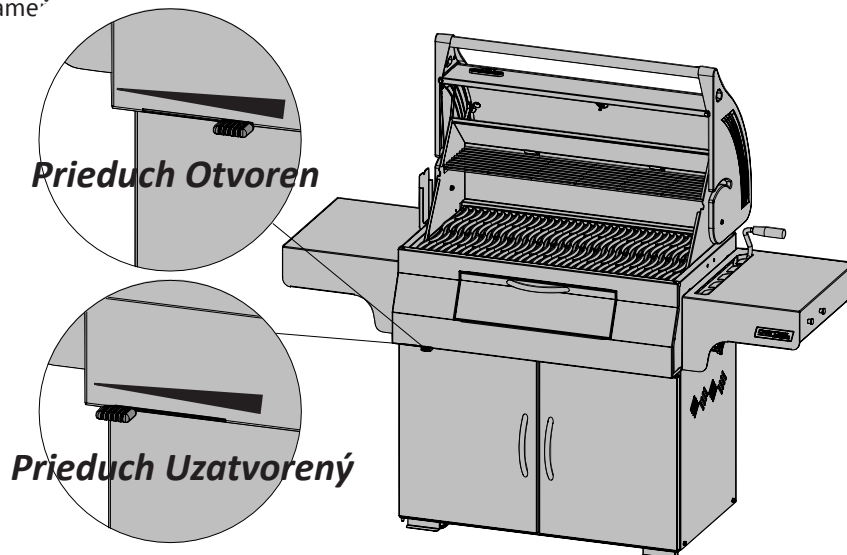
Ako všeobecné pravidlo, v pláne na použitie asi 100 brieket variť 4 lb. (2 kg) mäsa. Ak varenie na viac ako 30 až 40 minút, musí byť ďalší briekety pridaný do ohňa. Pri nepriazni počasia je zima alebo veterno, budete potrebovať viac brieketami pre dosiahnutie ideálnej teploty varenia.

**Pridanie dreveného uhlia počas varenia:** pri pridávaní uhlie na gril buďte opatrní. Plamene môžu vzplanúť, keď uhlie prichádza do styku s čerstvým vzduchom. Opatrne otvorte dvere ktoré sa nachádza na prednej strane. Stojte v bezpečnej vzdialenosti a používajte kliešte s dlhou rukoväťou, tepelne odolné a pridajte ďalšie uhlie / briekety.



**POZOR!** Nikdy nepridávajte do horúcich či teplých uhlíkov štartovacie kvapalinu. Akonáhle je drevené uhlie zapálené nie je potrebné viac tekutín.

**Prevádzkové ventilačné otvory:** Ventilačné otvory zakrývacie, vonkajšieho grilu sú obvykle ponechané otvorené, aby vzduch mohol do grilu. Vzduch zvyšuje možnosť horenie uhlia. Teplotu grilu môžete regulovať pohybom otvorov doprava alebo doľava. Zavretie vetracích otvorov buď čiastočného alebo úplného pomôže ochladzovať uhlíky. Nezatvárajte úplne vetracie otvory a veko, ak sa snažíte utlmiť alebo uhasiť plameň



SK

**Použitie zadneho horiaku (Rotisserie horák):** Odstráňte otepľovací rošt pred použitím, extrémne teplo ho môže poškodiť. Grilovací rošty odstráňte v prípade, že zasahujú do grilovania. Zaistite, aby zadná komora bola inštalovaná na konzolách umiestnených vnútri kapucne pred zapálením. Zadná komora je určená na ich použitím v spojení s rotisérií, je k dispozícii u Predajca. Pozri montážne pokyny grilovacím súpravy. Horák je určený na ich použitím v spojení s rotisérií, je k dispozícii u Predajca. Pozri montážne pokyny grilovacím súpravy. Mäso bude prirodzene visieť ťažká stranou nadol. Utiahnite vyvažovacie rameno a váhu, aby rameno smerovalo hore. Posuňte protizávažie alebo vyberte vyváženie záťaže, a dotiahnite. . znovu nainštalujte motor a zahájte varenie. Umiestnite Kovová misku pod mäso pre odkvapkávaniu šťavy na lahodné omáčku. Polievacie zmes môže byť pridané podľa potreby. Udržujte zatvorené veko pre dosiahnutie najlepších výsledkov. Vaše pečienka a hydina bude dokonale hnedá na vonkajšej strane a Zostane šťavnatá. Napríklad 1,3kg kurčatá, sa na grile upečie za 1,5 hodiny. Udržujte počas varenia bezpečnú vzdialenosť, pre pridanie briekiet počas varenia používajte kliešte s dlhými tepelne odolnými rukoväťami varenie kliešte pridať ďalšie uhlie briekety.



**VAROVANIE!** Inštalujte zadnú komoru len pri použití.



**VAROVANIE!** do horúceho či teplého uhlia nikdy nepridávajte štartovacie kvapalinu. Ako náhle je uhlie zapálené, nie je kvapalina vyžadovaná.



## Bezpečnosť po použití

**VAROVANIE!** Ak chcete chrániť seba a svoj majetok pred poškodením, starostlivo dodržiavajte tieto bezpečnostné opatrenia.

- Zatvorte veko grilu a všetky vetracie otvory pre utlmenie ohňa.
- Vždy nechajte gril úplne vychladnúť pred manipuláciou.
- Nikdy nenechávajte uhlia a popol z uhlia bez dozoru. Uistite sa, že sú uhlie a popol úplne uhasené pred odstránením.
- Použite kovovú špachtľu alebo naberačku pre odstránenie zostávajúceho uhlia a popola z grilu. Umiestnite do nehorľavé kovovej nádoby a polejte vodou. Nechajte v kontajneri ďalších 24 hodín pred likvidáciou.



# Pokyny pre údržbu / Čistenie

Odporúča sa, aby popolník / odkvapkávacia miska boli najprv vyčistené po každom použití.



**VAROVANIE!** Uistite sa, že gril je vychladnutý a všetko uhlie je úplne uhasené, pred vybratím akejkoľvek časti z vášho grilu.

**VAROVANIE!** Pri čistení grilu vždy používajte ochranné rukavice a ochranné okuliare.

**VAROVANIE!** Nepoužívajte tlakovú umývačku k čisteniu akejkoľvek časti grilu.

**POZOR!** Aby sa predišlo možnosti popálenia, by mala byť údržba vykonávaná iba v prípade, keď je gril vychladnutý. Vyhnite sa nechránenému kontaktu s horúcimi povrchmi. Čistite gril v oblasti, kde čistiace prostriedky nepoškodí palubu, trávnik, či terasu. Nepoužívajte čistič na rúry na čistenie akejkoľvek časti tohto plynového grilu. Nepoužívajte samočistiaci prostriedky na rošty alebo akékoľvek iné časti. Barbecue omáčka a soľ môže byť žieravá a spôsobí prudké zhoršenie častí na plynovom grile ak nie je pravidelne čistený.

**Mriežky a grilovací rošt:** mriežky a grilovací rošt je najlepšie čistiť mosadznou drôtenou kefou v priebehu pred vykurovacím obdobím. Oceľové drôty kefy môžete využiť proti odolným škvrám.

**Čistenie vnútra v plynovom grile:** Odstráňte grilovací rošt. Použite mosadznú drôtenú kefu na čistenie nečistôt z odliatku strán a pod vekom. Oškrabte vriacej dosky špachtľou alebo škrabkou, a použite drôtenú kefu na odstránenie popola. Zmeťte všetky nečistoty z vnútra grilu plynu do odkvapkávacej misky. V prípade potreby môžete umyť vnútro grilu s jemným čistiacim prostriedkom a vodou. Dôkladne opláchnite čistou vodou a utrite do sucha.



**VAROVANIE!** Nahromadený tuk zvyšuje nebezpečenstvo požiaru. Vyčistite odkvapkávacu misku po každom použití, aby sa zabránilo nahromadeniu mastnoty. Vyčistite odkvapkávacu misku po každom použití, aby sa zabránilo nahromadeniu mastnoty.

**Popolník / odkvapkávacia miska:** popol, tuk prebytočné kvapky odkapajú robí Popolník / odkvapkávacej misky, ktora sa nachádza pod grilom na drevené uhlie. Pre čistenie, vyberte panvicu / misku z grilu. Nikdy neobaľujte alebo neprekrývajte odkvapkávacia panvicu hliníkovou fóliou alebo iným materiálom, pretože to môže zabrániť správnejmu prúdeniu tuku. Panva by mala byť oškrabaná špachtľou alebo škrabkou. Umyte popolník / odkvapkávacu misku s jemným čistiacim prostriedkom Vodou. Dôkladne opláchnite čistou vVodou vytrite do sucha.

**Čistenie vonkajšieho povrchu grilu:** Nepoužívajte brúsne čistiace prostriedky ani drôtenku na jakovýkoľvek maľovaný, porcelánu alebo nerezový diel vášho grilu Napoleon. Ak tak urobíte, bude poškrabaný povrch grilu. Povrch grilu by sa mal čistiť teplou mydlovou vodou, zatiaľ čo je kov ešte na dotyk teplý. Na čistenie nerezových povrchov, použite čistič na nerezovej ocele alebo ne-abrazívne. Vždy ich utrite v smere vlákien / rýh. V priebehu doby, diely z nerezovej ocele zmení farby pri zahriatí, zvyčajne do zlatej či hnedej farby. Toto zafarbenie je normálne a nemá vplyv na výkon grilu. S komponenty z porcelánu / smaltu je potrebné zaobchádzať so starostlivosťou. Zapečený smalt je ako sklo a ak sa poškodí, bude sa lúpať či praskať.

## Riešenie problémov

Problém	Možné príčiny	Riešenie
Nízke teplo / Malý plameň.	<p>Nesprávne predhriatie.</p> <p>Nedostatok vzduchu.</p> <p>Málo uhlie uhlie.</p> <p>Nesprávne umiestnenie zásobníka uhlia.</p>	<p>Povoľte horenia uhlia až bude pokryté svetlo šedým popolom. (obvykle 20-25min).</p> <p>Otvorte otvory.</p> <p>Pridajte ďalšie drevené uhlie do zásobníka.</p> <p>Zdvihnite zásobník uhlia do najvyššej polohy.</p>
Príliš vzplanutie / nerovnomerné teplo..	<p>Nesprávne predhriatie.</p> <p>V zásobníku je veľa tuku alebo popola.</p> <p>Nebo nesprávne umiestneny zásobník uhlia.</p>	<p>Predhrejete gril so zatvoreným vekom po dobu 20 - 25 minút</p> <p>Čistite zásobník popola / odkvapkávaciu misku pravidelne. Nevykladajte panvicu s hliníkovou fóliou. Vid' pokyny pre čistenie.</p> <p>Dajte zásobník uhlia do najnižšej polohy.</p>
"farba" sa odlupuje z vnútra veka	nahromadenie tuku na vnútorných povrchoch.	To nie je závada. Povrchová úprava na veku a "kapučiu" je z nerezovej ocele. Odlupovanie je spôsobené kaleným tukom, ktorý schne, a bude sa odlupovať. Zabráňte tomu pravidelným čistením. vid' čistenie

# Prehľad grilovanie na drevenom uhlí

## Zapálenie grilu

- Pred prvým varením, doporučujeme vypáliť gril pri vysokej teplote po dobu 30 minút s vekom a otvory plne otvorenými. To spáli všetky mazadlá používané vo výrobnom procese.
- Úplne otvorte ventil na veku a zatvorte zakaždým, keď zapálite gril.
- Uistite sa, že popol je vyčistený z predchádzajúceho použitia a potom znovu nainštalovať.
- Použite buď Ultrachef Charcoal Starter (nie je súčasťou balenia) podľa pokynov v manuáli, alebo umiestnite zľahka pokrčené noviny na a okolo deflektora. Umiestnite uhlie v tvare kužeľa do stredu jednotky (priama metóda varenia) alebo po stranách (nepriama metóda).
- Pre úplné rozhorenie, zatvorte veko a nechajte uhlie horieť, kým nie je pokryté svetlo šedým popolom (cca 20 minút), podľa chceného spôsobu varenia rozmiestnite uhliá pomocou klieští sa žiaruvzdornými drážkami.
- Tekutý štartér môže byť použitý na zapálenie uhlie, ale to nie je preferovaný spôsob. Môže zanechať chemickú chuť na jedle, jedlo sa môže spáliť. Akonáhle uhlie horí, nikdy nepridávajte ďalšie štartovacie kvapalinu. Pri prevádzke uchovávajte fľaštičku aspoň 7,6 m od grilu.
- Dymové arómy môže byť dosiahnutý pridaním drevených šupín, ktoré sú k dispozícii v rôznych arómach u vášho predajcu Napoleon.

SK

## Varenie s vaším grilom

- Odporúčame predhriať gril s uzavretým vekom počas približne 20 minút. Uhlíky sú pripravené, keď majú slabú vrstvu sivého popola.
- Ako všeobecné pravidlo je použitie asi 100 briekiet na 1kg mäsa. Ak varenie presáhne 30 až 40 minút, musí byť pridané ďalšie briekety. Pri nepriazni počasia v zime alebo veternom, budete potrebovať viac briekiet pre
- dosiahnutie ideálnej teploty varenia.
- Pri pridávaní dreveného uhliá na gril, buďte opatrní. Plamene môžu vzplanúť, keď uhlie prichádzajú do styku s čerstvým vzduchom. Stojte v bezpečnej vzdialenosti a používajte kliešte s dlhou rukoväťou, tepelne odolné.
- Prieduchy veka na vonkajšom grile sú obvykle ponechané otvorené, aby vzduch mohol do grilu. Vzduch zvyšuje teplotu horenia. Môžete regulovať teplotu grilu pohybom prieduchu doprava alebo doľava.
- Nechajte jedlo variť s uzavretým vekom. Zakaždým, keď sa veko odstráni, teplota klesá. To vedie k nižším teplotám a dlhšej dobe varenia.
- Zatvorenie vetracích otvor, buď čiastočne alebo úplné, pomôže ochladzovať uhlíky. Nezatvárajte úplne vetracie otvory a vetracie veko, ak sa snažíte znížiť alebo uhasiť plameň.
- Grilovacie rošty môžete naolejovať pred predohrevom pre zníženie lepenie.
- Použite teplomer na mäso, pre zistenie či sú potraviny dostatočne uvarené.

## Čistenie grilu

- Zatvorte veko grilu a všetky vetracie otvory vyhasnutie.
- Vždy nechajte gril úplne vychladnúť než s ním budete manipulovať.
- Nikdy nenechávajte uhliá a popol bez dozoru. Pred odstránením sa uistite, že je uhlie a popol úplne uhasený.
- Použite kovovú špachtľu alebo naberte zostávajúcich uhlie a popol z grilu. Umiestnite zvyšky do nehorľavé kovovej nádoby a polejte vodou. Nechajte v kontajneri ďalších 24 hodín pred likvidáciou.
- Použite mosadzný drôtenú kefu na čistenie nečistôt z misky a vnútra veka.
- Vnútro grilu čistite s jemným čistiacim prostriedkom a vodou. Dôkladne opláchnite čistou vodou a utrite do sucha.
- S porcelánovými a smaltovými komponenty zaobchádzajte opatrne. Olúpaný lak od uhlíkov alebo hobliniek možné vymeniť. Komponenty sú k dispozícii u predajcu grilov Napoleon.

**Uschovajte účtenku ako doklad o nákupe na overenie vašej ZÁRUKY.**

## Objednávanie náhradných dielov

### Informácie o záruke

MODEL: \_\_\_\_\_

DÁTUM NÁKUPU: \_\_\_\_\_

SÉRIOVÉ ČÍSLO: \_\_\_\_\_

### **(Záznam informácií pre ľahkú orientáciu)**

Než sa obrátite na oddelenie zákazníckych riešení, skontrolujte Napoleon webové stránky pre rozsiahlejšie informácie -čistenie, údržbu, odstraňovanie problémov a náhradné diely na [www.napoleongrills.sk](http://www.napoleongrills.sk). Obráťte sa na svojho miestneho distribútora priamo (pozri zoznam kontaktov distribútorov grilov) pre náhradné diely a záručnej reklamácie.

Ak chcete spracovať reklamáciu, musíme mať k dispozícii nasledujúce informácie:

1. Model a výrobné číslo prístroja.
2. Katalógové číslo a popis.
3. Stručný opis problému („zlomený“ nie je dostatočná).
4. Fotodokumentaci
5. Doklad o nákupe (fotokópie faktúry).

V niektorých prípadoch riešenie by mohol zástupca požiadať o kontrolu v továrni pred poskytnutím náhradných dielov. Tieto diely musia byť odoslané zpet dovozci.

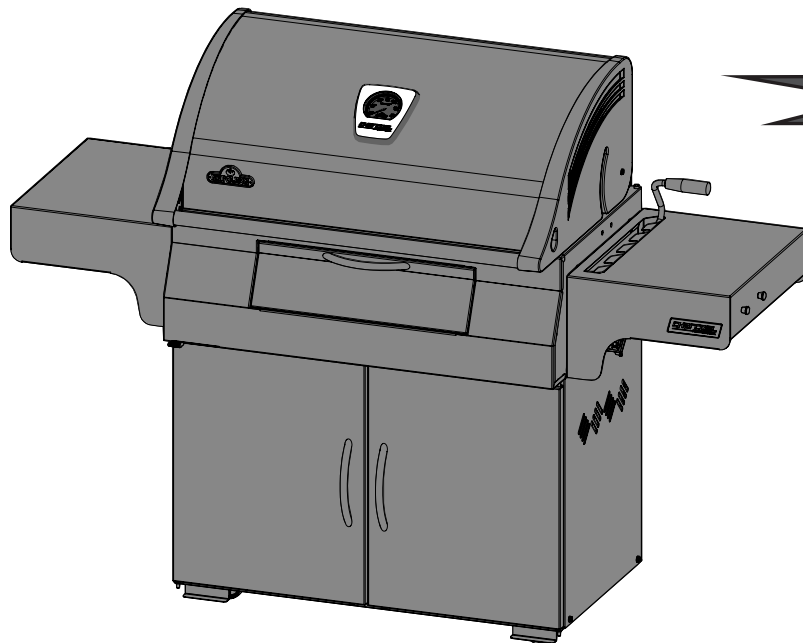
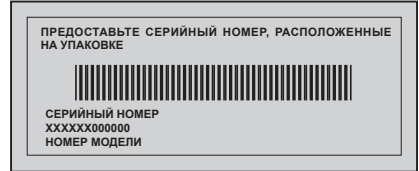
Než sa obrátite na riešenie pre zákazníkov, prosím, zoberte na vedomie, že na tieto položky sa nevzťahuje záruka:

- Náklady na dopravu, sprostredkovanie alebo vývozného cla.
- Náklady na pracovnú silu na odstránenie a reinstaláciu.
- Náklady na službu volania a diagnostika problému.
- Zafarbenie dielov z nerezovej ocele.
- Zlyhanie časti kvôli nedostatku údržby, alebo použitie nevhodných čistiacich prostriedkov (istiaci rúru).

СТРУКЦИЯ ПО СБОРКЕ И ОБСЛУЖИВАНИЮ ДАННЫЙ ГРИЛЬ СЛЕДУЕТ ИСПОЛЬЗОВАТЬ ТОЛЬКО ВНЕ ПОМЕЩЕНИЯ В ХОРОШО ПРОВЕТРИВАЕМОМ МЕСТЕ

ХРАНИТЕ ДАННУЮ ИНСТРУКЦИЮ В КАЧЕСТВЕ СПРАВОЧНОГО МАТЕРИАЛА.

## OUTDOOR CHARCOAL GRILL



НЕ ВЫБРАСЫВАТЬ

PRO605CSS

RU



### ВНИМАНИЕ

Сначала прочитайте раздел "РОЗЖИГ" данной инструкции, затем приступайте к процедуре розжига.



### ОПАСНОСТЬ

В процессе горения древесного угля вырабатывается углекислый газ. Не разжигайте древесные угли дома, в гараже, палатках, автомобиле или другом замкнутом пространстве.



**ВНИМАНИЕ!** Несоблюдение данных указаний может привести к тяжёлым травмам или смерти.

Wolf Steel Ltd.  
214 Bayview Drive,  
Barrie, Ontario, CANADA L4N 4Y8  
[grills@napoleonproducts.com](mailto:grills@napoleonproducts.com)

Wolf Steel Europe BV  
Poppenbouwing 29-31, 4191 NZ Geldermalsen,  
CCI No. 51509970, THE NETHERLANDS  
[info@napoleongrills.nl](mailto:info@napoleongrills.nl)

# Президентская Гарантия Napoleon 15 лет с ограничениями



Продукция NAPOLEON изготовлена из высококачественных компонентов и материалов и собрана квалифицированным персоналом, который гордится своей работой. Горелка и вентиль в сборе прошли проверку на герметичность, а также тестовый запуск на станции контроля качества. Перед упаковкой и транспортировкой данный прибор был тщательно проверен квалифицированным техническим специалистом, чтобы Вы получили товар высокого качества, которое Вы ожидаете от продукции NAPOLEON.

Компания NAPOLEON гарантирует отсутствие дефектов материалов и отделки Вашего нового прибора NAPOLEON с даты приобретения в течение указанного периода:

Детали из алюминиевого литья / топка из нержавеющей стали.....	<b>15 лет</b>
Крышка из нержавеющей стали .....	<b>15 лет</b>
Крышка, покрытая фарфоровой эмалью .....	<b>15 лет</b>
Барбекю-решетки из нержавеющей стали.....	<b>15 лет</b>
Трубчатые горелки из нержавеющей стали .....	<b>10 лет полное покрытие, плюс 50% скидка до 15-го года</b>
Пластины-испарители из нержавеющей стали .....	<b>5 лет полное покрытие, плюс 50% скидка до 15-го года</b>
Эмалированные чугунные барбекю-решетки .....	<b>5 лет полное покрытие, плюс 50% скидка до 15-го года</b>
Керамические инфракрасные горелки (исключая экран) .....	<b>5 лет полное покрытие, плюс 50% скидка до 15-го года</b>
Все остальные детали .....	<b>2 года</b>

RU

## \*Условия и ограничения

Настоящая Ограниченная гарантия создает гарантийный период, указанный в выше приведенной таблице, для любого прибора, приобретенного у авторизованного дилера NAPOLEON, и дает право первоначальному покупателю на указанное покрытие в отношении любого компонента, замененного в течение гарантийного срока – либо компанией NAPOLEON, либо авторизованным дилером NAPOLEON - при замене компонента указанных приборов, который вышел из строя в ходе обычного использования прибора в личных целях по причине производственного дефекта. Указанная в таблице «50% скидка» означает, что в течение указанного периода компонент предоставляется покупателю со скидкой 50% от обычной розничной цены компонента. Данная Ограниченная гарантия не распространяется на аксессуары или бонусные товары.

Для большей однозначности «обычное использование прибора в личных целях» означает, что продукт установлен лицензированным авторизованным сервисным специалистом или подрядчиком в соответствии с прилагаемыми к прибору инструкциями по установке, а также согласно всем местным и национальным нормам зданий и пожарной безопасности, надлежащим образом проходил техническое обслуживание и не использовался в качестве коммунального бытового прибора или в коммерческих целях.

Аналогичным образом «выход из строя» не включает в себя: чрезмерное пламя, вспышки пламени, вызванные такими условиями окружающей среды, как сильный ветер или несоответствующая вентиляция, царапины, вмятины, коррозию, износ покраски и покрытий, выцветание, вызванные нагревом, абразивными или химическими чистящими средствами или воздействием ультрафиолетовых лучей, скол деталей с фарфоровым эмалевым покрытием или иные повреждения, вызванные неправильным использованием, несчастным случаем, градом, возгоранием жира, отсутствием технического обслуживания, агрессивными средами, такими как соль или хлор, модифицированием прибора, порчей, небрежным обращением или установленными деталями других производителей. Если ухудшение деталей

происходит до той степени, когда их больше невозможно использовать (ржавление или прогорание) в течение срока действия гарантийного покрытия будет предоставлена запасная деталь.

Исключительной ответственностью NAPOLEON, определенной настоящей Ограниченной гарантией, является запасная деталь. Ни при каких обстоятельствах NAPOLEON не несет ответственности за расходы по установке, работе или за любые иные расходы или траты, связанные с переустановкой гарантийной детали, за любой ненамеренный, косвенный или непрямоный ущерб, или за любые транспортные расходы, затраты на рабочую силу или экспортные пошлины.

Данная Ограниченная гарантия предоставляется в дополнение к любым правам, предоставленным Вам местным законодательством. Соответственно, данная Ограниченная гарантия не налагает никаких обязательств на NAPOLEON по хранению запасных деталей на складе. В соответствии с наличием деталей NAPOLEON может по своему усмотрению выполнить все обязательства, предоставив клиенту пропорциональный кредит в отношении нового прибора. По окончании первого года в отношении данной Гарантии компания NAPOLEON по своему усмотрению может выполнить в полном объеме все обязательства по данной Гарантии путем возмещения первоначальному покупателю, получившему данную гарантию, оптовой стоимости гарантийной детали/деталей с дефектом.

При подаче каких-либо гарантийных претензий в отношении компании NAPOLEON необходимо вместе с серийным номером и номером модели предоставить чек на купленный товар или его копию.

Компания NAPOLEON оставляет за собой право своими силами или силами своих представителей производить предварительную проверку/осмотр поврежденного/дефектного прибора или детали до удовлетворения любого гарантийного требования. Чтобы получить гарантийное покрытие, Вам необходимо обратиться в Службу поддержки клиентов NAPOLEON или к авторизованному дилеру NAPOLEON.



napoleongrills.com



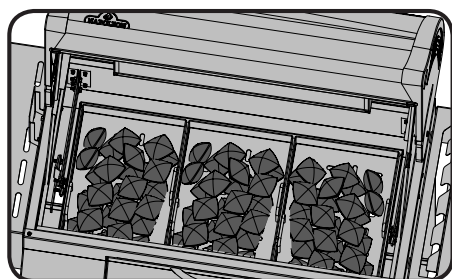
**ВНИМАНИЕ!** Несоблюдение данных указаний может привести к ущербу частной собственности, травмам или смерти. Прочитайте и следуйте всем предупреждениям и указаниям, данным в инструкции.

## Правила безопасной эксплуатации

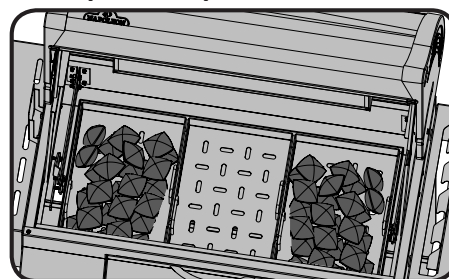
- Прочитайте всю информацию, содержащуюся в Руководстве по эксплуатации, перед началом работы с грилем.
- Ни при каких обстоятельствах не вносите изменения в конструкцию данного гриля.
- Следуйте инструкциям по розжигу при работе с грилем.
- Не поджигайте древесный уголь при закрытой крышке.
- Не наклоняйтесь над грилем при поджигании.
- До розжига задней камеры (горелки) она должна находиться в положении на кронштейнах внутри колпака.
- Не используйте бензин, спирт или другие высоколетучие жидкости, чтобы поджечь древесный уголь. Используйте ТОЛЬКО жидкость для розжига, одобренную для розжига древесного угля. Перед тем как поджигать древесный уголь, убедитесь в том, что удалены все жидкости, стекшие через низ гриля.
- Ни в коем случае не подливайте жидкость для розжига угля на горячие или даже теплые угли.
- После использования и перед розжигом завинтите крышку жидкости для розжига угля и храните ее на безопасном расстоянии от гриля, не менее 25 футов (7.6м).
- Не подпускайте детей и домашних животных к горячему грилю, не позволяйте детям забираться внутрь шкафа гриля.
- Во время работы не оставляйте гриль без присмотра.
- Не перемещайте гриль, когда он находится в горячем состоянии или работает.
- Не встраивайте данный гриль внутрь автофургонов и лодок и не устанавливайте гриль на них.
- Данный гриль допускается к использованию только на улице на хорошо проветриваемой территории. Данный гриль нельзя использовать внутри здания, гаража, террасы, беседки или в другом закрытом пространстве.
- Соблюдайте требуемое расстояние между грилем и горючими материалами (16 «(410 мм) от задней панели прибора, 7» (178 мм) от боковых панелей). Данное расстояние также рекомендуется соблюдать между грилем и виниловым сайдингом или оконными стеклами.
- Всегда держите вентиляционные отверстия корпуса открытыми и свободными от мусора.
- Не помещайте руки внутрь гриля при регулировке поддона для угля. Всегда держите руки и пальцы на расстоянии от подъемного механизма во все времена.
- Не используйте гриль под навесом из горючих материалов.
- Не используйте гриль под навесами, такими как кровля, гаражный навес, брезентовый или тканевый навесы.
- Не устанавливайте гриль на площадках с сильным ветром. Сильный ветер отрицательно влияет на производительность гриля при приготовлении пищи.
- Крышка гриля должна быть закрыта в течение периода прогрева гриля.
- Поддон для пепла/сбора жира должен находиться на месте в процессе использования гриля.
- Регулярно проводите чистку поддона для пепла/сбора жира, чтобы избежать накопления, что может привести к горению жира.
- Не используйте боковые пристолья для хранения зажигающих устройств, спичек или иных других горючих материалов.
- Гриль всегда должен быть на уровне земли.
- Не используйте воду для управления пламенем или тушения углей, поскольку это может повредить покрытие вашего гриля.
- Для управления пламенем слегка прикройте вентиляционные отверстия на гриле. Чтобы полностью потушить угли/огонь полностью закройте все вентиляционные отверстия и крышку.
- Используйте соответствующие аксессуары для гриля с длинными, не нагреваемыми ручками.
- Используйте барбекю-рукавицы или прихватки для горячего для защиты рук во время приготовления пищи или регулировки вентиляционных отверстий.
- Не вынимайте золу из гриля до полного прогорания и тушения угля. Дайте ему достаточно времени на остывание.
- Оставшийся уголь и золу необходимо убрать из гриля и поместить в негорючий металлический контейнер. Оставьте содержимое в контейнере на 24 часа перед тем, как утилизировать.
- Держите электрический шнур питания вдали от воды и нагретых поверхностей.
- Всегда используйте данный гриль в соответствии с местными нормами.
- Закон штата Калифорния 65: При сжигании древесного угля возникают побочные продукты, некоторые из которых находятся в списке веществ, указанных штатом Калифорния как вещества, вызывающие рак или заболевания репродуктивной системы. При приготовлении пищи на углях всегда обеспечивайте оптимальный уровень вентиляции гриля, чтобы свести к минимуму воздействие указанных веществ.

# Указания по розжигу

## Прямое приготовление



## Непрямой приготовления



### Использование древесного угля

Метод приготовления	Рекомендованное количество древесного угля
Прямой гриллинг	100 брикетов
Непрямой гриллинг	50 брикетов на каждую сторону *(для каждого дополнительного часа приготовления пищи добавляйте по 16 брикетов на каждую из сторон)

\*Указанное количество древесного угля носит рекомендательный характер, более продолжительное время приготовления пищи требует добавления дополнительного угля. Холодная, ветреная погода также обуславливает увеличение расхода угля для достижения идеальной температуры для приготовления пищи.



**ВНИМАНИЕ!** Откройте крышку гриля.

**ВНИМАНИЕ!** Поставьте гриль на улице на ровную, прочную поверхность из негорючих материалов. Никогда не используйте гриль на деревянной поверхности или иных поверхностях, которые могут воспламениться.

**ВНИМАНИЕ!** Не наклоняйтесь над грилем во время розжига угля.

**ВНИМАНИЕ!** Поддон для золы должен быть на месте во время розжига и во время всего периода работы на гриле.

Розжиг главной камеры Прямой гриллинг	Розжиг главной камеры Непрямой гриллинг	Розжиг задней камеры (вертел)
1. Полностью откройте вентиляционное отверстие на основании гриля. Откройте крышку гриля и снимите барбекю-решетки.	1. Полностью откройте вентиляционное отверстие на основании гриля. Откройте крышку гриля и снимите барбекю-решетки.	1. Полностью откройте вентиляционное отверстие на основании гриля.
2. Убедитесь, что поддон для золы был очищен после предыдущего использования, и затем установите его обратно.	2. Убедитесь, что поддон для золы был очищен после предыдущего использования, и затем установите его обратно.	2. Убедитесь, что поддон для золы был очищен после предыдущего использования, и затем установите его обратно.
3. Используйте угольный стартер Ультрашеф (не входит в комплект), следуя инструкциям в Руководстве, или положите кубики для розжига или слегка смятую газету на поддон для угля. Поместите уголь конусообразной горкой в центре гриля на газету или кубики для розжига.	3. Поместите поддон для сбора жира в центр поддона для угля. Установители разделители угля на поддоне для угля с обеих сторон от поддона для сбора жира. Используйте угольный стартер Ультрашеф (не входит в комплект), следуя инструкциям в Руководстве, или положите кубики для розжига или слегка смятую газету в зону между разделителями угля. Поместите уголь в зону между разделителями на газету или кубики для розжига.	3. Поместите кубики для розжига или слегка смятую газету в корзину для угля. Следите за тем, чтобы не положить слишком много угля. Снимите дополнительную барбекю-решетку. Перед розжигом убедитесь, что корзина установлена правильно, а именно висит на креплениях на колпаке.
4. Подожгите газету или кубики для розжига. Как только содержимое полностью разгорится, закройте крышку и дайте углю прогореть до состояния, когда он покроется светло-серым пеплом (около 20 минут).	4. Подожгите газету или кубики для розжига. Как только содержимое полностью разгорится, закройте крышку и дайте углю прогореть до состояния, когда он покроется светло-серым пеплом (около 20 минут).	4. Подожгите газету или кубики для розжига. Как только содержимое полностью разгорится, закройте крышку и дайте углю прогореть до состояния, когда он покроется светло-серым пеплом (около 20 минут).
5. При помощи щипцов с длинными не нагревающимися ручками распределите угли так, чтобы они равномерно покрывали всю поверхность поддона для угля.		5. При помощи щипцов с длинными не нагревающимися ручками распределите угли равномерно.





**ВНИМАНИЕ!** НЕ ИСПОЛЬЗУЙТЕ ЗАДНЮЮ КАМЕРУ ОДНОВРЕМЕННО С ГЛАВНОЙ КАМЕРОЙ



Жидкость для розжига может использоваться для розжига угля, однако это не является самым предпочтительным методом. Она может образовывать грязь, а также может оставить на пище химический вкус, если не полностью сгорит до начала приготовления. Когда Вы уже начали розжиг, никогда не добавляйте жидкость для розжига в гриль повторно. Храните бутылку на расстоянии не менее 25 футов (7,6 м) от работающего гриля.



**Правила безопасного использования стартера для розжига угля**  
**ВНИМАНИЕ!**

- Только для использования вне помещения.
- Используйте стартер для розжига угля только на прочно закрепленной и ровной угольной решетке и при условии, что сам угольный гриль стоит на прочной, ровной поверхности из негорючих материалов.
- Не ставьте стартер для розжига угля на поверхность из горючих материалов, за исключением случаев, когда стартер полностью остыл.
- В стартере для розжига угля не используйте жидкость для зажигалок, бензин или самовоспламеняющийся уголь.
- Используйте стартер для розжига только для розжига угля в угольных грилях.
- Всегда одевайте защитные перчатки при работе со стартером для розжига угля.
- Никогда не допускайте детей и животных к стартеру для розжига.
- Не используйте стартер для розжига в ветреную погоду.
- Не оставляйте во время работы стартер для розжига без присмотра.
- Не нагибайтесь над стартером для розжига во время розжига.
- Никогда не используйте стартер для розжига в целях, отличных от указанной цели. Не используйте стартер для розжига для приготовления пищи.
- Будьте предельно осторожны при высыпании горячих углей из стартера для розжига.

**РОЗЖИГА ДРЕВЕСНЫХ УГЛЕЙ**



RU

**Использования стартера для розжига угля**

- Переверните стартер для розжига угля вверх дном.
- Сомните два целых листа газетной бумаги и впихните их на дно стартера для розжига угля.
- Переверните стартер для розжига правильной стороной вверх и поместите его в центре угольной решетки.
- Добавьте соответствующее количество угля, но не переполняйте.
- Зажгите спичку и вставьте в одно из нижних вентиляционных отверстий, чтобы зажечь газету.
- Когда верхний слой древесного угля покроется тонким слоем серого пепла, в защитных перчатках осторожно высыпьте горячий уголь на угольную решетку (прямой гриллинг) или положите в лотки-разделители для угля (непрямой метод).
- Как только Вы поместили горячий уголь в гриль, равномерно распределите уголь при помощи щипцов с длинными не нагревающимися ручками.

## Руководство по приготовлению пищи на древесных углях.

Приготовление пищи на древесных углях – проверенный временем метод. Тлеющие брикеты испускают инфракрасное излучение на приготавливаемую пищу, практически не подсушивая её. Все соки или масла, стекающие с приготавливаемой пищи, падают на угли и мгновенно испаряются, придавая пище незабываемый аромат. Факт налицо - гриль на древесных углях Napoleon обеспечивает приготовление наиболее сочных, вкусных стейков, гамбургеров и других блюд. Информация, касающаяся советов и времени приготовления, расположена в таблице приготовления пищи на древесных углях.

Таблица приготовления пищи, приведенная ниже, дает только общие рекомендации. На время приготовления влияют такие факторы, как высота над уровнем моря, температура окружающего воздуха, скорость и направление ветра, желаемое состояние готовности пищи. Пользуйтесь термощупом для проверки готовности пищи.

### Таблица приготовления пищи на древесных углях

Блюдо	Прямой / непрямой жар	Время приготовления	Полезные рекомендации
Стейк толщина - 1 дюйм (2,54 см)	Прямой жар	6-8 минут – средняя прожарка	При выборе мяса для гриля спрашивайте мраморное мясо с особым распределением жира. Жир применяется для смягчения мяса во время приготовления и помогает сохранять мясо сочным.
Гамбургер толщина - 1/2 дюйма (1,27 см)	Прямой жар	6-8 минут – средняя прожарка	Приготовление гамбургеров на заказ стало легче благодаря изменению толщины котлет. Для добавления мяса экзотического оттенка подбросьте опилок орешника на древесные угли.
Кусочки куриного мяса	Прямой жар примерно по 2 минуты с каждой стороны. Непрямой жар - оставшиеся 18 – 20 минут	20-25 минут	Нарезайте мясо с очищенной от кожи стороны на 3/4 от общего обхвата ноги, для более равномерного распределения мяса на гриле. Это позволяет готовить быстрее и более равномерно. Для добавления мясу фирменного вкуса подбросьте опилок мескита на древесные угли.
Свиная отбивная	Прямой жар	10-15 минут	Отрежьте лишний жир перед приготовлением. Чтобы мясо получилось более мягким, выбирайте куски потолще.
Свинные ребрышки	Прямой жар -примерно на 5 минут Непрямой жар – оставшееся время	1,5 - 2 часа часто переворачивать	Выбирайте более мясистые и нежирные ребрышки. Жарьте на гриле, пока мясо не будет с легкостью отделяться от костей.
Отбивные из молодой баранины	Прямой жар	25 - 30 минут	Отрежьте лишний жир перед приготовлением. Чтобы мясо получилось более мягким, выбирайте куски потолще.
Хот-доги	Прямой жар	4 - 6 минут	Выбирайте сосиски больших размеров. Перед приготовлением очистите от кожуры.

## Рекомендации по приготовлению пищи

**Первоначальный розжиг:** При включении гриля в первый раз, присутствует слабый запах. Это обычное, временное явление, вызванное выжиганием внутренней краски и смазочных веществ, использованных при производстве, которое не случится повторно. Оставьте горелки включенными примерно на 30 минут, открыв крышку и вентиляционные отверстия, расположенные на опоре.



**ВНИМАНИЕ!** Никогда не помещайте руки внутрь гриля при регулировке поддона для угля. Всегда держите руки и пальцы на расстоянии от подъемного механизма.

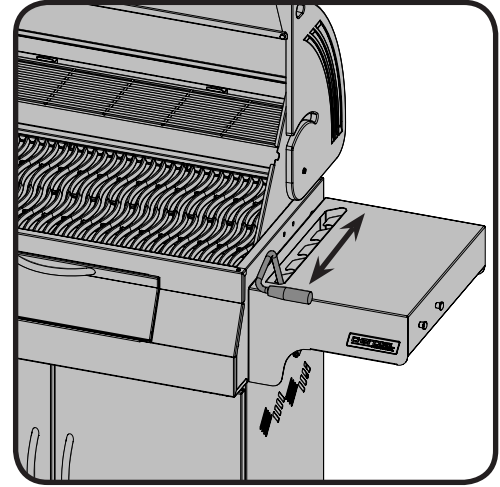
**Использование главной камеры:** поддона для угля имеет шесть положений, в которых он может работать. Для оптимального использования рекомендуется зафиксировать поддон для угля в самом верхнем положении как можно ближе к барбекю-решеткам. При необходимости Вы можете уменьшать температуру, опуская поддон дальше от пищи, а также закрывая вентиляционные отверстия.

Мы рекомендуем прогревать разожжённый гриль в течение примерно 20 минут с закрытой крышкой. Угли готовы, когда у них появился тонкий слой серого пепла. Продукты, которые готовятся быстро (рыба, овощи) можно готовить на гриле с открытой крышкой. Приготовление с закрытой крышкой обеспечивает более высокую и равномерную температуру, что позволяет сократить время приготовления и приготовить пищу более равномерно. При приготовлении очень постного мяса, например, куриных грудок или постной свинины, перед прогревом решетки можно смазать растительным маслом для уменьшения прилипания. В процессе приготовления мяса высокой степени жирности может возникать пламя.

Для предотвращения такого эффекта обрежьте жир или снизьте температуру. Если пламя все-таки возникло, отодвиньте пищу подальше от него; уменьшите жар (прикройте вентиляционное отверстие). Оставьте крышку открытой.

Как правило, для приготовления 4 фунтов (2 кг) мяса потребуется около 100 брикетов. Если Вы планируете готовить в течение 30-40 минут, необходимо добавить дополнительное количество брикетов в огонь. Если на улице холодно или ветрено, вам также потребуется больше брикетов, чтобы достичь идеальной температуры для приготовления пищи.

**Добавление древесного угля в процессе приготовления:** Будьте осторожны при добавлении угля в гриль. При контакте угля со свежим воздухом может возникнуть пламя. Аккуратно открывайте дверцу, расположенную на передней части основания. Стойте на безопасном расстоянии и используйте щипцы с длинными не нагревающимися ручками при добавлении дополнительных угольных брикетов.



RU

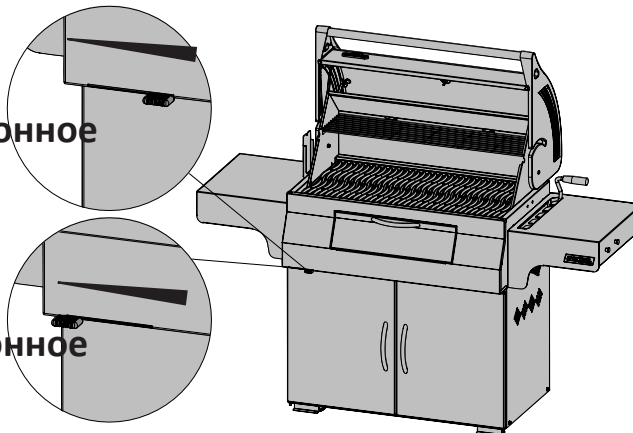


**ВНИМАНИЕ!** Ни в коем случае не подливайте жидкость для розжига угля на горячие или даже теплые угли. Если уголь зажегся, то больше жидкости не требуется.

**Управление вентиляционными отверстиями:** Вентиляционные отверстия на закрытом гриле обычно остаются открытыми, чтобы воздух мог поступать в гриль. Воздух повышает температуру горения углей. Вы можете регулировать температуру гриля, перемещая задвижки вентиляционных отверстий вправо или влево. Частичное или полное закрытие отверстий поможет охладить угли. Не закрывайте полностью вентиляционные отверстия и отверстия в крышке, если не пытаетесь охладить угли или потушить пламя.

Открытое  
вентиляционное  
отверстие

Закрытое  
вентиляционное  
отверстие



**Использование задней камеры (горелка вертела):** Перед началом использования снимите дополнительную барбекю-решетку. Снимите также основные решетки, если они мешают вертелу. Перед розжигом проверьте, чтобы задняя камера была установлена на кронштейнах, расположенных внутри колпака. Задняя камера предназначена для использования в сочетании с комплектом вертела, который Вы можете приобрести у Вашего дилера. См. инструкцию по сборке комплекта вертела. Для использования противовеса, снимите мотор вертела с гриля. Поместите вертел с мясом на креплениях внутри гриля. Мясо, естественно, расположится тяжелой стороной вниз. Затяните рычаг противовеса так, чтобы он «смотрел» вверх. Передвиньте сам противовес по рычагу ближе к вертелу или дальше от вертела и зафиксируйте его достигнув необходимой балансировки. Снова установите мотор и приступайте к приготовлению пищи. Поставьте блюдо, чтобы собрать стекающие капли для того, чтобы потом использовать их для смазывания продуктов в процессе приготовления, а также для создания вкусного соуса.

Смазывание можно по необходимости проводить в процессе приготовления. Держите крышку закрытой для лучшего результата. Ваше мясо и птица приобретут красивый коричневый цвет снаружи и останутся сочными и нежными внутри. Например, 3-фунтовая курица на вертеле приготовится примерно за 1,5 часа до степени средней или сильной прожарки. Если во время приготовления Вы добавляете дополнительные брикеты угля, делайте это, выбрав безопасное расстояние и используя щипцы с длинными не нагревающимися ручками.



**ВНИМАНИЕ!** Устанавливайте заднюю камеру, только если хотите ее использовать.



**ВНИМАНИЕ!** Ни в коем случае не подливайте жидкость для розжига угля на горячие или даже теплые угли. Если уголь зажегся, то больше жидкости не требуется.

## Меры предосторожности после использования гриля



**ВНИМАНИЕ!** Для защиты себя и своей собственности внимательно прочитайте и выполняйте следующие меры предосторожности.

- Закройте крышку гриля и все вентиляционные отверстия для тушения огня.
- Перед перемещением гриля позвольте ему окончательно остыть.
- Не оставляйте работающий гриль без присмотра. Перед перемещением установки убедитесь, что угли и зола окончательно потушены.
- Воспользуйтесь лопаткой или ковшом для удаления оставшихся углей и золы. Поместите их в контейнер из огнеупорного металла и залейте водой. Оставьте угли в контейнере на 24 часа, затем их можно утилизировать.

## Инструкции по техническому обслуживанию/ чистке

Рекомендуем опорожнять зольник / поддон после каждого использования.



**ВНИМАНИЕ!** Перед тем как приступить к демонтажу деталей убедитесь, что гриль остыл и все угли окончательно потушены.

**ВНИМАНИЕ!** При чистке гриля всегда надевайте защитные перчатки и очки.

**ВНИМАНИЕ!** При чистке деталей гриля не пользуйтесь установками для мытья под давлением.

**ВНИМАНИЕ!** Во избежание ожогов надлежит проводить работы по уходу за грилем только после того, как он полностью остыл. Не дотрагивайтесь до горячих поверхностей. Чистите гриль там, где чистящие средства не нанесут вреда настилу, газону или террасе. Не пользуйтесь мощными средствами для духовки для чистки любых деталей гриля. Не пользуйтесь самоочищающейся духовкой для чистки решёток для приготовления пищи или других деталей гриля. Соус для барбекю и соль обладают коррозионными свойствами, способствующими образованию ржавчины, поэтому следует регулярно проводить чистку деталей гриля.

**Решётки и нагревательная подставка:** Решётки и нагревательную подставку лучше всего чистить латунной проволочной щёткой во время подогрева гриля. Стальную проволочную щётку можно использовать для удаления наиболее трудных пятен.

**Очистка внутренней части гриля:** Снимите барбекю-решетки. Используйте щетку со щетиной из медной проволоки для очистки от грязи внутренних поверхностей корпуса и крышки. Очистите основание гриля изнутри при помощи шпателя или скребка, а также используйте щетку с металлической щетиной для удаления пепла. Сметите весь мусор, образовавшийся внутри гриля, в съемный поддон для золы/сбора жира. При желании можно помыть гриль изнутри при помощи мягкого моющего средства и воды. Затем необходимо тщательно промыть чистой водой и вытереть насухо.



**ВНИМАНИЕ!** Скопившийся жир представляет угрозу пожара. Регулярно чистите поддон во избежание скопления жира.

**Зольник / поддон:** Зола и капли жира проходят через зольник / поддон, расположенные под грилем, и скапливаются на древесном угле. Для проведения уборки отодвиньте поддон. Не выстилайте поддон алюминиевой фольгой, песком или другим материалом, так как это может помешать свободному перемещению жира. Для надлежащей чистки поддона следует воспользоваться шпателем или скребком, затем удалить золу латунной проволочной щёткой. Вымойте зольник / поддон мягким моющим средством и водой. После следует ополоснуть детали водой и вытереть насухо.

**Чистка поверхности гриля:** Не пользуйтесь абразивными чистящими средствами или стальную проволочную щётку для чистки керамических деталей или деталей из нержавеющей стали гриля Napoleon. Подобные методы уборки повреждают покрытие. Внешние поверхности гриля надлежит чистить тёплой мыльной водой, пока металл еще не окончательно остыл. Для чистки нержавеющей поверхностей пользуйтесь чистящим средством для нержавеющей стали или неабразивным чистящим средством. Всегда вытирайте поверхность по направлению зерен. Со временем детали из нержавеющей стали теряют окраску и приобретают золотой или коричневый оттенок. Потеря цвета не влияет на работоспособность гриля. Обращайтесь с деталями с керамической эмалью с особой осторожностью. Глазурованное декоративное покрытие, закреплённое горячей сушкой, напоминает стекло, и от удара может расколоться. При необходимости, Napoleon производит ремонт керамического покрытия.

RU

## Устранение неисправностей

Проблема	Возможные причины	Решение
Низкое тепловыделение / низкое пламя.	Неправильный предварительный прогрев.  Недостаточный приток воздуха.  Недостаточно углей.  Неправильно положение поддона для угля.	Дайте углю прогореть до образования слоя светло-серого пепла. (обычно 20-25 мин.).  Откройте вентиляционные отверстия.  Добавьте больше угля на поддон для угля.  Поднимите поддон для угля на максимальную высоту.
Чрезмерное пламя / неравномерный нагрев.	Неправильный предварительный прогрев.  Чрезмерное скопление жира и золы в поддоне для золы/ сбора жира.  Неправильно положение поддона для угля.	Предварительно прогрейте гриль с закрытой крышкой в течение 20 - 25 мин.  Регулярно очищайте поддон для золы/сбора жира. Не покрывайте поддон алюминиевой фольгой. Соблюдайте инструкции по чистке.  Установите поддон для угля в самое низкое положение.
Кажется, что “краска” начинает сходить внутри колпака и крышки.	Жир скапливается на внутренних поверхностях.	Это не является дефектом. Поверхность внутреннего колпака и крышки выполнена из нержавеющей стали, поэтому не будет отслаиваться. Отслаиваться начинает затвердевший жир, при этом его высохшие частицы похожи на слезающую краску. Предотвратить это явление поможет регулярная чистка. См. инструкции по чистке.

# Приготовление на угольном гриле

## Розжиг гриля

- Прежде чем начинать готовить в первый раз, мы рекомендуем дать поработать грилю на полной мощности в течение 30 минут при полностью открытых вентиляционных отверстиях на основании. Это позволит сжечь любые смазочные материалы, используемые в процессе производства оборудования.
- Каждый раз при розжиге гриля полностью открывайте вентиляционное отверстие на основании.
- Убедитесь, что поддон для золы был очищен после предыдущего использования, и затем установите его обратно.
- Используйте угольный стартер Ультрашеф (не входит в комплект), следуя инструкциям в Руководстве. Поместите уголь конусообразной горкой в центре гриля (прямой гриллинг) или как вариант – кубики для розжига (непрямой гриллинг).
- Когда Вы разожгли гриль, закройте крышку и дайте углю прогореть до образования слоя светло-серого пепла (примерно 20 мин.), используйте щипцы для угля с не нагревающимися ручками в соответствии с методом приготовления, который Вы будете применять.
- Жидкость для розжига может использоваться для розжига древесного угля, однако это не является самым предпочтительным методом. Она может образовывать грязь, а также может оставить на пище химический вкус, если не полностью сгорит до начала приготовления. Когда Вы уже начали розжиг, никогда не добавляйте жидкость для розжига в гриль повторно. Храните бутылку на расстоянии не менее 25 футов (7,6 м) от работающего гриля.
- Дополнительный аромат дыма может быть достигнут путем добавления щепы для копчения с различными ароматами. Вы можете приобрести ее у Вашего дилера Napoleon.

RU

## Приготовление пищи на гриле

- Мы рекомендуем предварительно прогреть гриль, оставив его работать под закрытой крышкой в течение примерно 20 минут. Угли готовы, когда они покрываются тонким слоем пепла.
- Как правило, для приготовления 4 фунтов (2 кг) мяса потребуется около 100 брикетов. Если Вы планируете готовить в течение 30-40 минут, необходимо добавить дополнительное количество брикетов в огонь. Если на улице холодно или ветрено, вам также потребуется больше брикетов, чтобы достичь идеальной температуры для приготовления пищи.
- Будьте осторожны при добавлении древесного угля в гриль. При контакте угля со свежим воздухом может возникнуть пламя. Стойте на безопасном расстоянии и используйте щипцы с длинными не нагревающимися ручками при добавлении дополнительных угольных брикетов.
- Вентиляционные отверстия на закрытом гриле обычно остаются открытыми, чтобы воздух мог поступать в гриль. Воздух повышает температуру горения углей. Вы можете регулировать температуру гриля, перемещая задвижки вентиляционных отверстий вправо или влево.
- Оставляйте пищу готовиться при закрытой крышке. Каждый раз, когда Вы открываете крышку, температура падает. Это приводит к снижению температуры и более продолжительному времени приготовления пищи.
- Частичное или полное закрытие отверстий поможет остудить угли. Не закрывайте полностью вентиляционные отверстия, если не пытаетесь охладить угли или потушить пламя.
- Перед прогревом барбекю-решетку можно смазать растительным маслом для уменьшения прилипания.
- Чтобы определять степень готовности, используйте термометр.

## Очистка гриля

- Закройте крышку гриля и все вентиляционные отверстия, чтобы потушить огонь.
- Всегда давайте грилю время для полного остывания, прежде чем приступить к очистке.
- Никогда не оставляйте без присмотра угли или золу в гриле. Перед тем как удалить угли и золу, убедитесь, что они полностью потухли.
- Используйте шпатель или скребок для удаления оставшихся углей и золы из гриля. Поместите их в негорючий металлический контейнер и полностью залейте водой. Оставьте контейнер на 24 часа перед утилизацией.
- Используйте щетку со щетиной из медной проволоки для очистки от грязи внутренних поверхностей корпуса и крышки.
- Помойте гриль изнутри при помощи мягкого моющего средства и воды. Затем тщательно промойте чистой водой и вытрите насухо.
- Porcelain enamel components must be handled with additional care. The baked-on enamel finish is glass-like, and will chip if struck. Touch-up enamel is available from your Napoleon Grill dealer.

## ХРАНИТЕ ТОВАРНЫЙ ЧЕК КАК ДОКАЗАТЕЛЬСТВО ПОКУПКИ, ПОДТВЕРЖДАЮЩЕЕ ВАШЕ ГАРАНТИЙНОЕ СОГЛАШЕНИЕ

### Заказ запасных деталей

#### Гарантийная информация

МОДЕЛЬ: \_\_\_\_\_

ДАТА ПРИОБРЕТЕНИЯ: \_\_\_\_\_

СЕРИЙНЫЙ НОМЕР: \_\_\_\_\_

#### (Дайте информацию для упрощения процедуры обработки запроса)

Перед тем как связываться с отделом работы с клиентами, проверьте сайт Napoleon (расположенный по адресу [www.napoleongrills.com](http://www.napoleongrills.com)) на предмет указаний по более интенсивной чистке, техническому обслуживанию, обнаружению и устранению неполадок и замены деталей. Напрямую свяжитесь с заводом для замены деталей и проведения работ по гарантии. Свяжитесь напрямую с дистрибьютером в вашей стране (перечень дистрибьютеров с контактами указан в руководстве пользователя поставляемом вместе с грилем) по вопросам гарантийных случаев и предоставлению запасных частей.

Данные детали в отдел по работе с клиентами высылаются оплаченной посылкой со следующей информацией:

1. Модель и серийный номер установки.
2. Номер детали и её описание.
3. краткое описание неисправности (например, 'деталь сломалась' не является таковым)
4. Доказательство владения (фотокопия реквизитов).

В некоторых случаях представитель отдела работы с клиентами может попросить вернуть деталь на завод для проведения осмотра перед заменой детали. Данные детали высылаются с предварительной в отдел работы с клиентами со следующей приложенной информацией:

1. Модель и серийный номер установки.
2. Краткое описание неисправности (например, 'деталь сломалась' не является таковым)
3. Доказательство владения (фотокопия реквизитов).
4. Номер разрешения на возврат – предоставляется представителем отдела работы с клиентом.

Перед тем, как связываться с отделом работы с клиентами, пожалуйста, примите к сведению, что на следующие расходы не распространяется гарантия.

- Издержки по перевозке, фрахтовой комиссии или экспортным сборам.
- Оплата работ по демонтажу и установке.
- Оплата звонков в техническую поддержку.
- Потеря окраски деталей из нержавеющей стали.
- Неисправность детали, связанная с чисткой и уходом, или использованием ненадлежащих чистящих средств (посудомоечных машин).





**CAUTION!** During unpacking and assembly we recommended you wear work gloves and safety glasses for your protection. Although we make every effort to make the assembly process as problem free and safe as possible, it is characteristic of fabricated steel parts that the edges and corners might be sharp and could cause cuts if handled incorrectly.



### Getting Started

1. Remove all cart panels, hardware, and grill head from carton. Raise lid and remove any components packed inside. Use the parts list to ensure all necessary parts are included.
2. Do not destroy packaging until the grill has been fully assembled and operates to your satisfaction.
3. Assemble the grill where it is to be used, lay down cardboard or a towel to protect parts from being lost or damaged while assembling.
4. **Most stainless steel parts are supplied with a protective plastic coating that must be removed prior to using the grill. The protective coating has been removed from some of the parts during the manufacturing process and may have left behind a residue that can be perceived as scratches or blemishes. To remove the residue, vigorously wipe the stainless steel in the same direction as the grain.**
5. Follow all instructions in the order that they are laid out in this manual.
6. Two people are required to lift the grill head onto the assembled cart.



If you have any questions about assembly or grill operation, or if there are damaged or missing parts please call our Customer Solutions Department at 1-866-820-8686 between 9 AM and 5 PM (Eastern Standard Time).



**POZOR!** Při vybalování a montáži vám doporučujeme nosit pracovní rukavice a ochranné brýle pro vaši ochranu. Ačkoli jsme věnovali veškeré úsilí tomu, aby proces montáže byl bezpečný, tak je možné, že ocelové části, jako jsou rohy a hrany mohou být ostré a způsobit řezné rány při nesprávné manipulaci.



### Začínáme

1. Odstraňte všechny kryty, vyjměte díly a gril z obalu. Zvedněte víko a odstraňte veškeré zabalené komponenty. Použijte seznam dílů, aby se zajistilo, že všechny potřebné díly jsou součástí dodávky.
2. Neničte balení, dokud gril není plně sestaven a nefunguje k vaší spokojenosti.
3. Sestavte gril, použijte kartonu či textilii k ochraně dílů před poškozením při montáži.
4. **Většina dílů z nerezové oceli je dodávaná s ochrannou plastovou vrstvou, která musí být před použitím grilu odstraněna. Ochranný povlak je z některé části odstraněn v průběhu výrobního procesu, a může zanechat zbytek, který může být vnímán jako škrábance nebo skvrny. Chcete-li odstranit tyto zbytky, použijte utěrku popř. čistič na nerez.**
5. Postupujte podle pokynů v pořadí, v jakém jsou stanoveny v tomto návodu.
6. K montáži jsou doporučeni dvě osoby a mají take společně zvednout hlavu grilu na sestavený koš.



Máte-li jakékoli dotazy týkající se sestavení nebo provozu grilu, nebo pokud jsou některé části poškozené nebo chybí, prosím kontaktujte vašeho prodejce Napoleon.



**POZOR!** Pri rozbaľovaní a montáži odporúčame nosiť pracovné rukavice a ochranné okuliare pre vašu ochranu. Aj keď sme vynaložili všetko úsilie, aby montážny proces nebol problémový a bol bezpečný. Diely sú vyrobené z ocele, hrany a rohy môžu byť ostré, môžete si spôsobiť zranenie pri nesprávnej manipulácii!

## Začíname

1. Rozbaľte všetky časti, hardware a gril z obalu. Zdvihnite veko a odstráňte všetky zabalené súčasti. Pomocou zoznamu dielov, skontrolujte či sú všetky nevyhnutné súčasti súčasťou balenia.
2. Neničte obal, kým gril nie je kompletne zostavený alebo kým pracuje správne.
3. Zostavte gril, na mieste používania, podložte kartónom alebo uterákom pre ochranu častí pred stratou alebo poškodením počas montáže súčastí.
4. **Väčšina dielov z nerezovej ocele sú dodávané s ochrannou plastovou vrstvou / fóliou, ktorá musí byť odstránená pred použitím grilu. Ochranný povlak bol z niektorých častí odstránený počas výrobného procesu, a môže zanechať zvyšok, ktorý môže byť vnímaný ako škrabance alebo škvrna. Pre odstránenie zvyškov, energicky utrite z nerezovej ocele v rovnakom smere, ako sú ryhy.**
5. Postupujte podľa všetkých pokynov v poradí, v akom sú stanovené v tomto návode.
6. V dvoch ľuďoch zdvihnite „hlavu“ grilu na zostavený vozík.



Ak máte akékoľvek otázky týkajúce sa zostavenia alebo prevádzky grile, alebo v prípade, že sú časti poškodené alebo chýba, prosím volajte dodávateľa.



**ОСТОРОЖНО!** Во время удаления упаковки и сборки рекомендуется носить защитные перчатки и защитные очки. Хотя во время производства для обеспечения быстрой и эффективной сборки гриля были приняты все меры для устранения острых граней, тем не менее, надлежит обращаться с деталями очень аккуратно во избежание травм.

## Начало работы

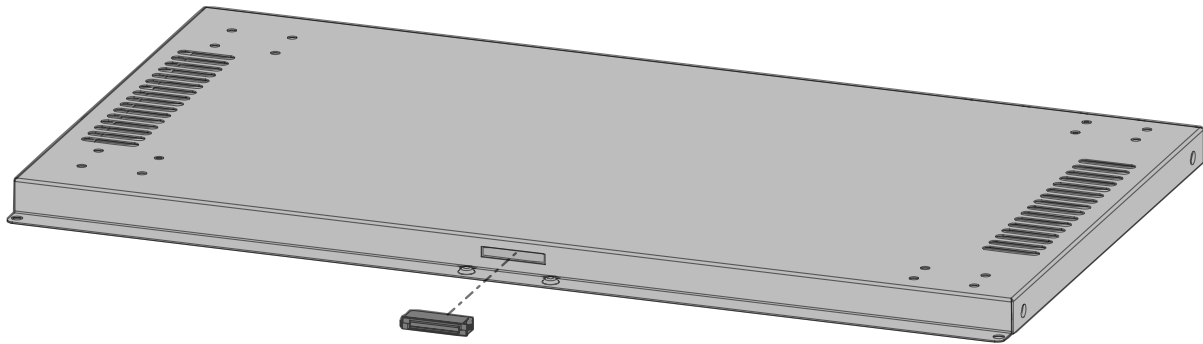
1. Уберите все упаковочные материалы. Поднимите крышку и извлеките все детали, находящиеся внутри. Проверьте по списку наличие всех деталей.
2. Не выбрасывайте упаковочный материал, пока гриль не был полностью собран и успешно введен в эксплуатацию.
3. Собирайте гриль на месте будущего использования, разложите детали на картонке или полотенце, чтобы не потерять их во время сборки.
4. **Большинство деталей из нержавеющей стали поставляются покрытыми защитной пластиковой пленкой, которая должна быть удалена перед первым использованием гриля. С некоторых частей гриля защитная пленка демонтируется в процессе производства, и, возможно, могла оставить следы (в виде полос), которые могут восприниматься как царапины или пятна грязи. Чтобы удалить остатки следов клея, энергично протрите нержавеющую сталь в том же направлении, что и зернистость стали.**
5. Следуйте всем указаниям в порядке, указанном в инструкции.
6. Для размещения верхней части гриля на собранной тележке понадобятся два человека.



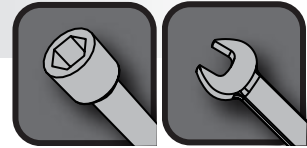
Если у вас возникли какие либо вопросы по сборке или эксплуатации гриля, или если некоторые детали отсутствуют или повреждены, пожалуйста свяжитесь с отделом работы с клиентами по телефону 1-866-820-8686 с 9 до 17 (североамериканское восточное время).

**x1**

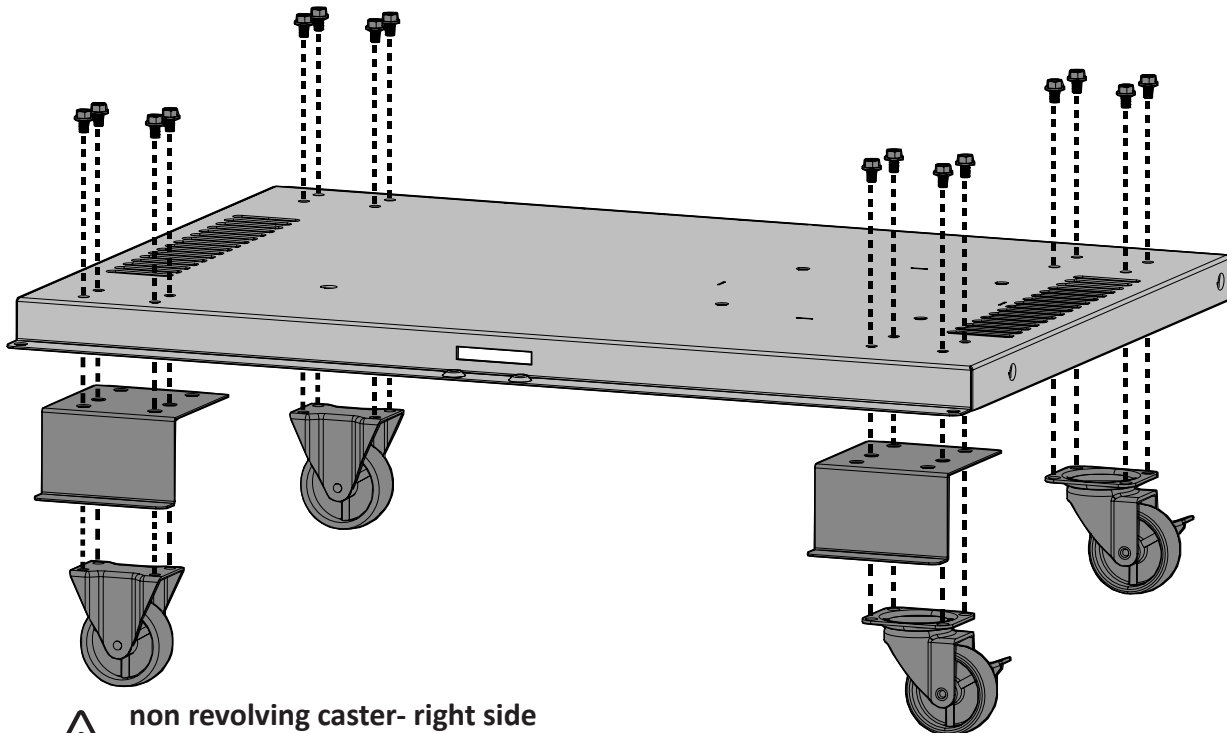
N430-0002

**x16**

N570-0073 (1/4-20 X 3/8")



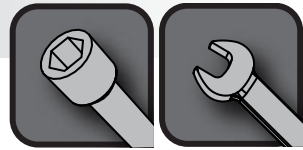
3/8" (10mm)



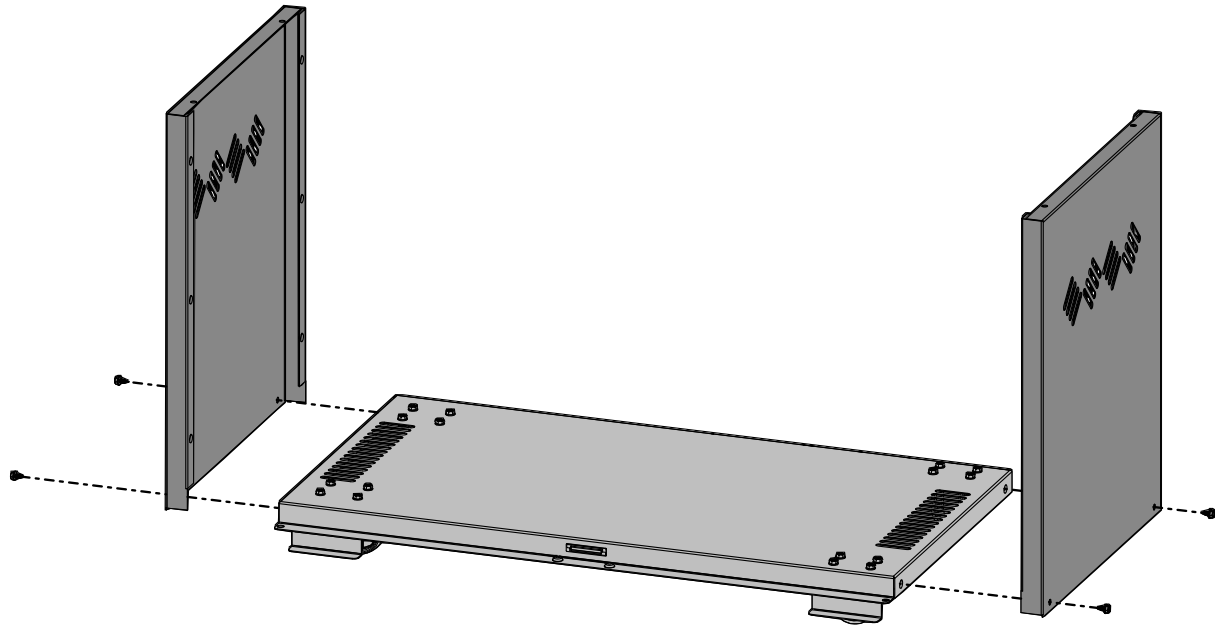
non revolving caster- right side  
 bez otočné kolečko- na pravé straně  
 neotáčavé koliesko - ľavá strana  
 невозобновляемой заклинитель- правая сторона



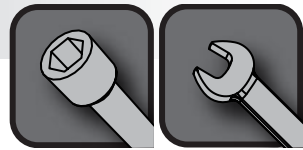
N570-0080 (#14 x 1/2")



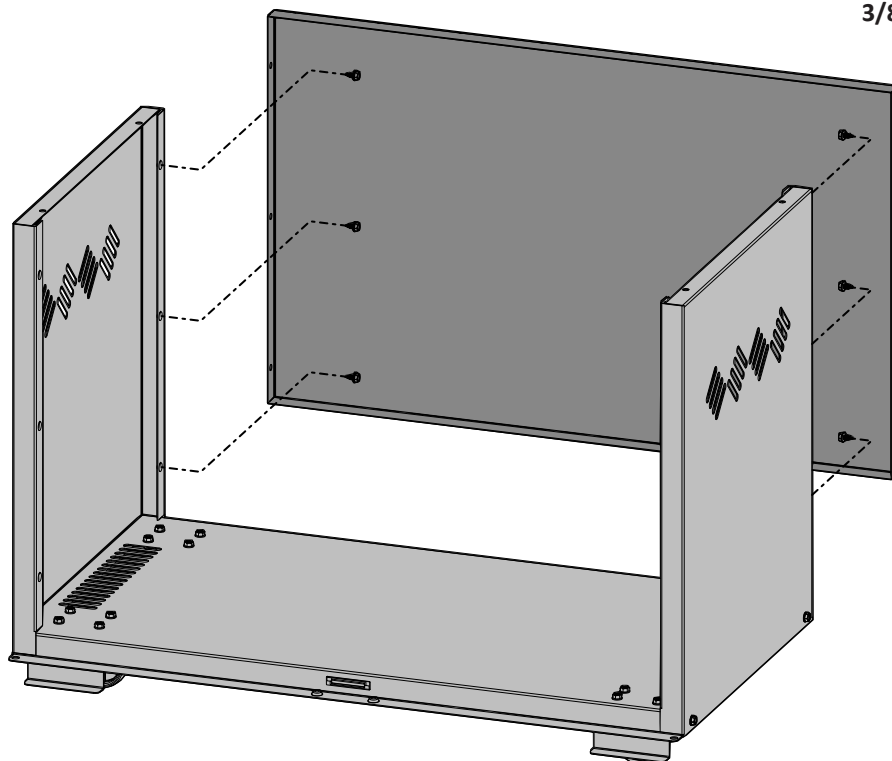
3/8"(10mm)

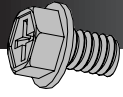


N570-0080 (#14 x 1/2")



3/8"(10mm)



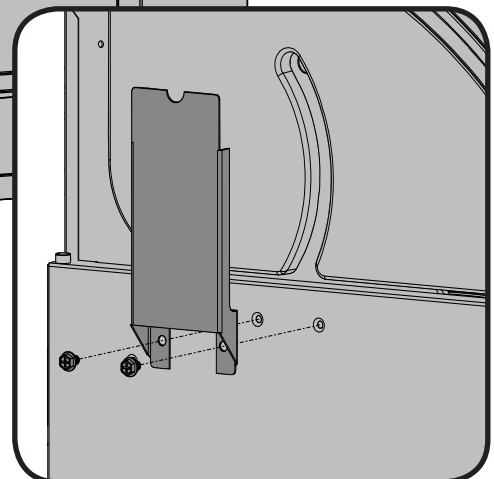
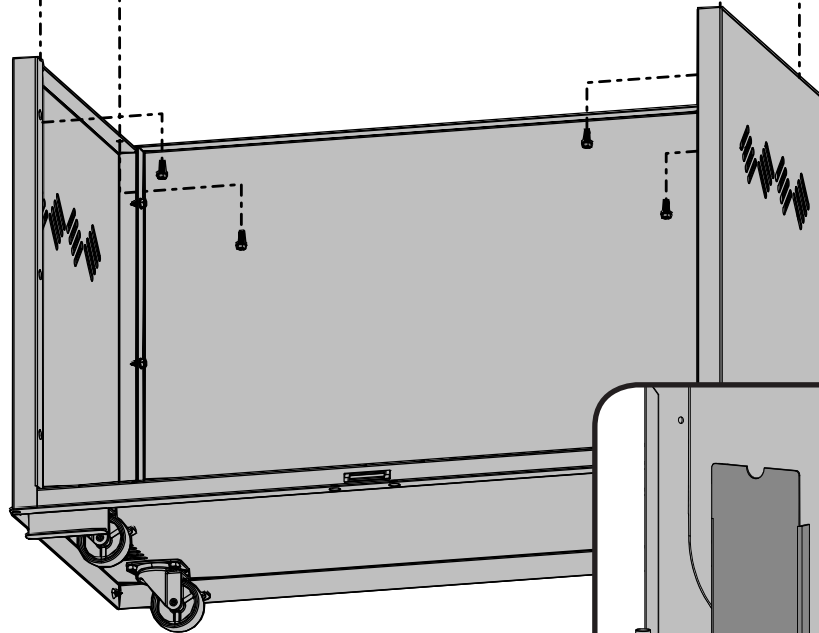
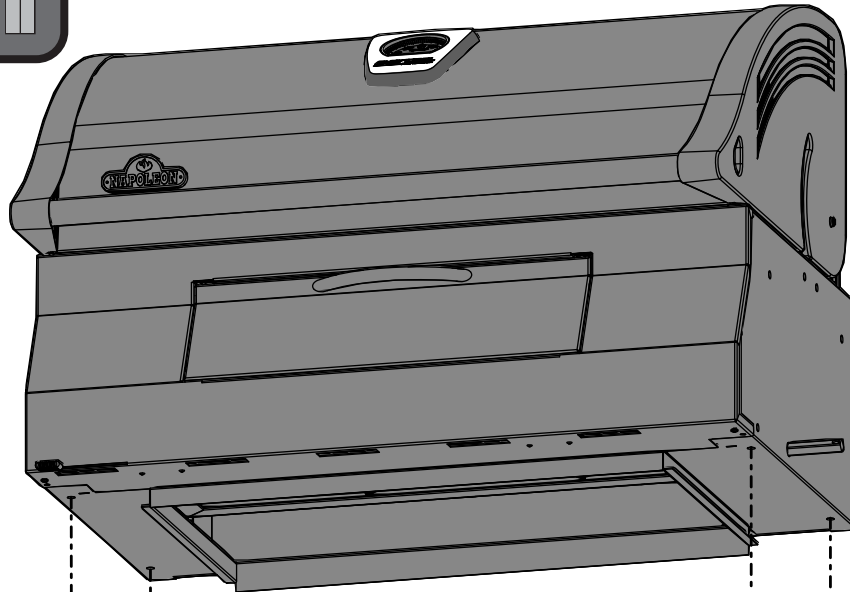
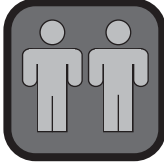


x6

N570-0073 (1/4-20 X 3/8")



3/8" (10mm)





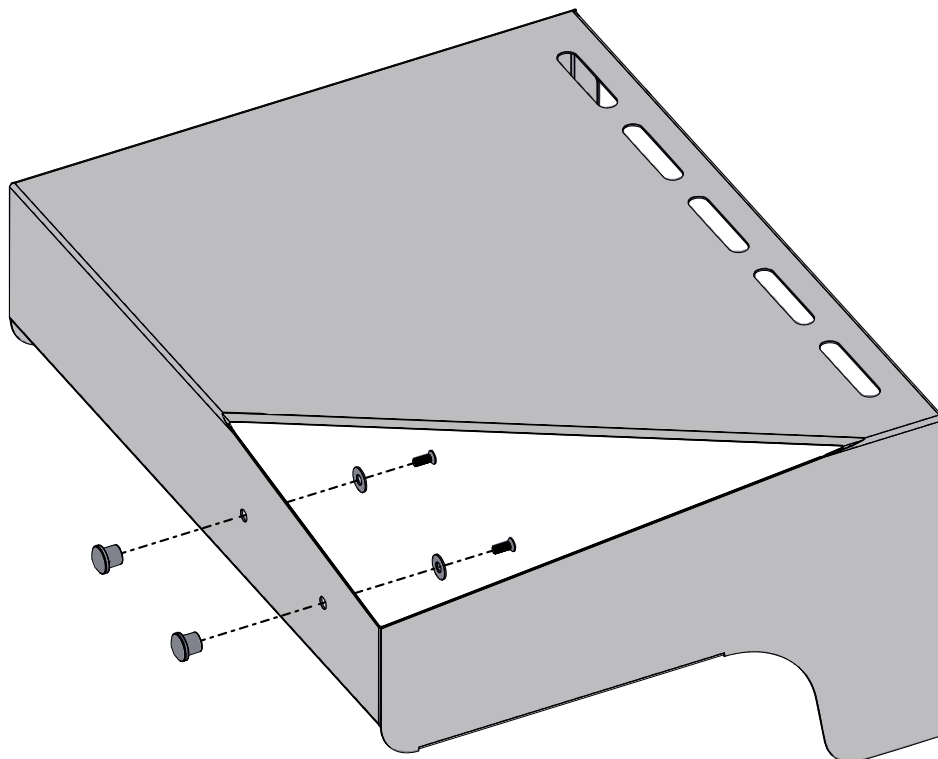
**x4**

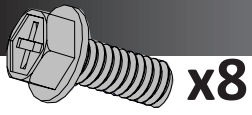
N570-0088 (10-24 X 1/2")



**x4**

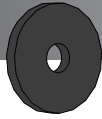
N735-0007 (1/4")





**x8**

N570-0082 (1/4-20 X 5/8")

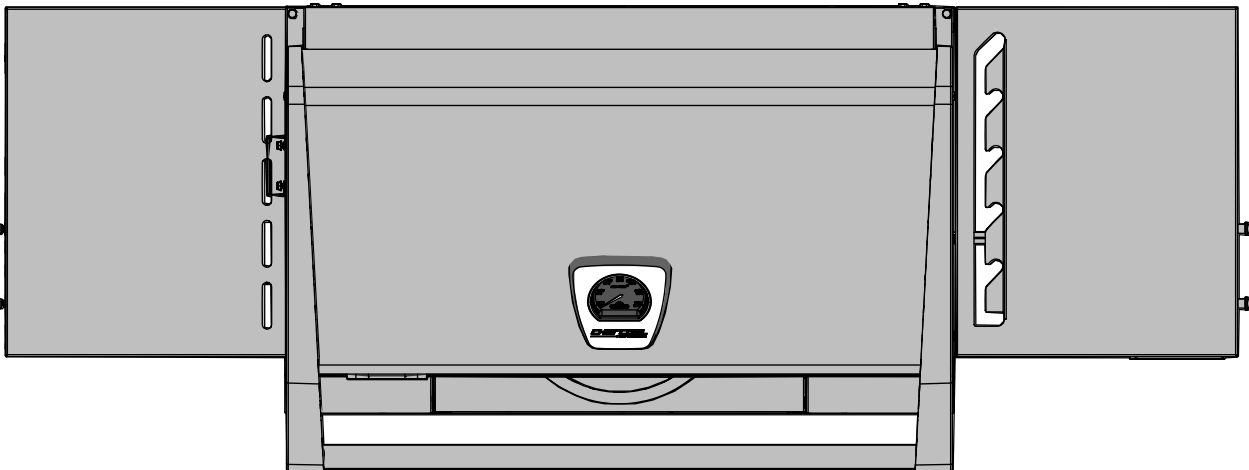
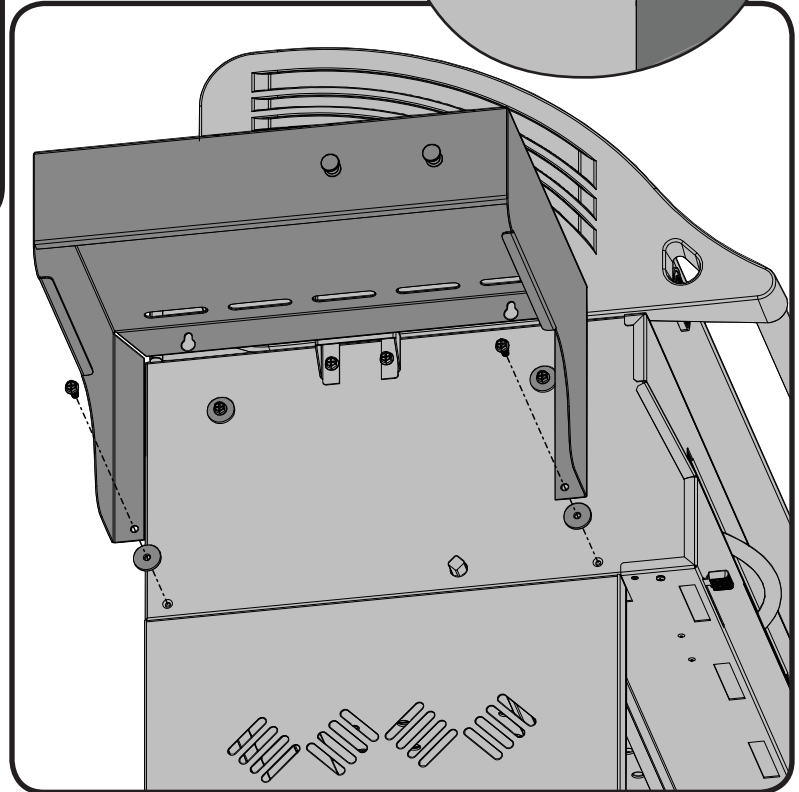
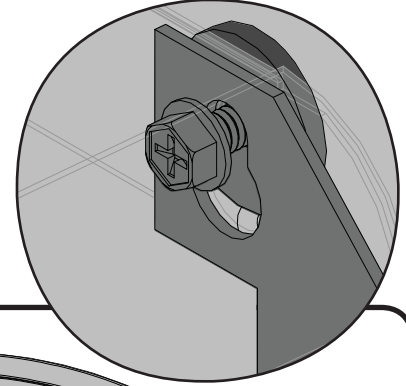
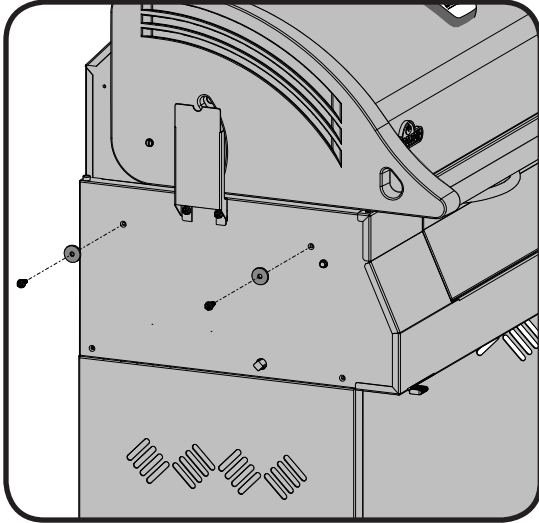


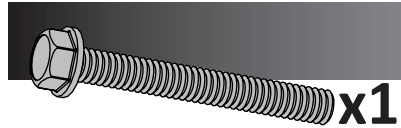
**x8**

N735-0001



3/8" (10mm)





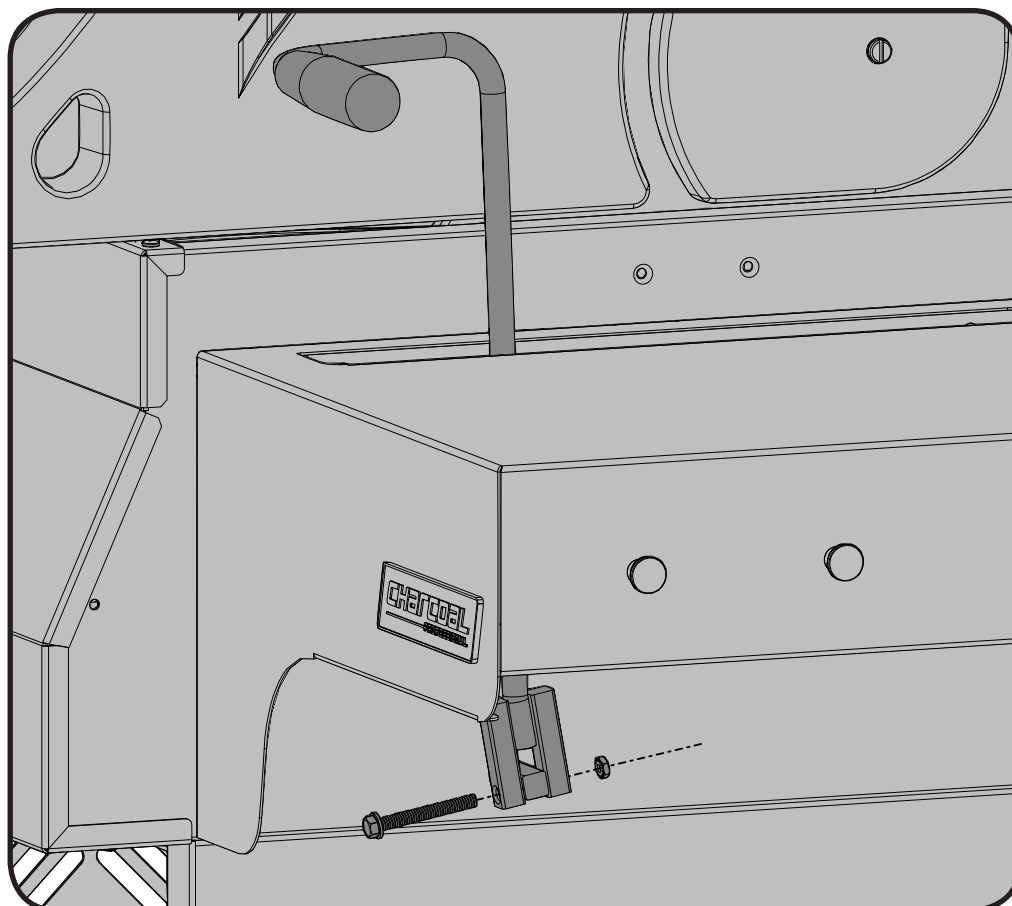
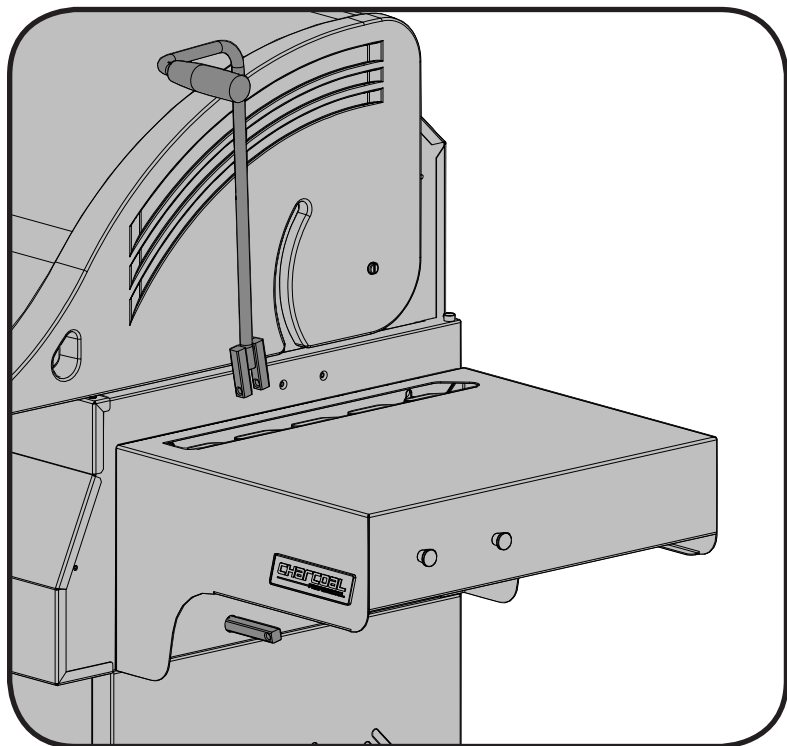
N570-0084 (1/4-20 X 2")



W450-0032 (1/4-20)



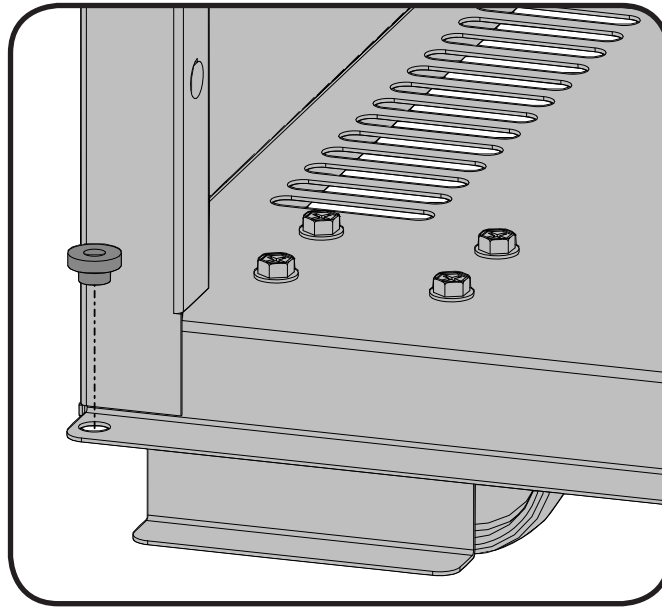
3/8" (10mm)  
7/16" (11mm)







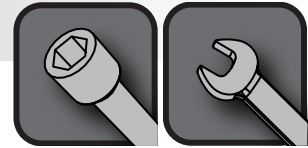
N105-0011



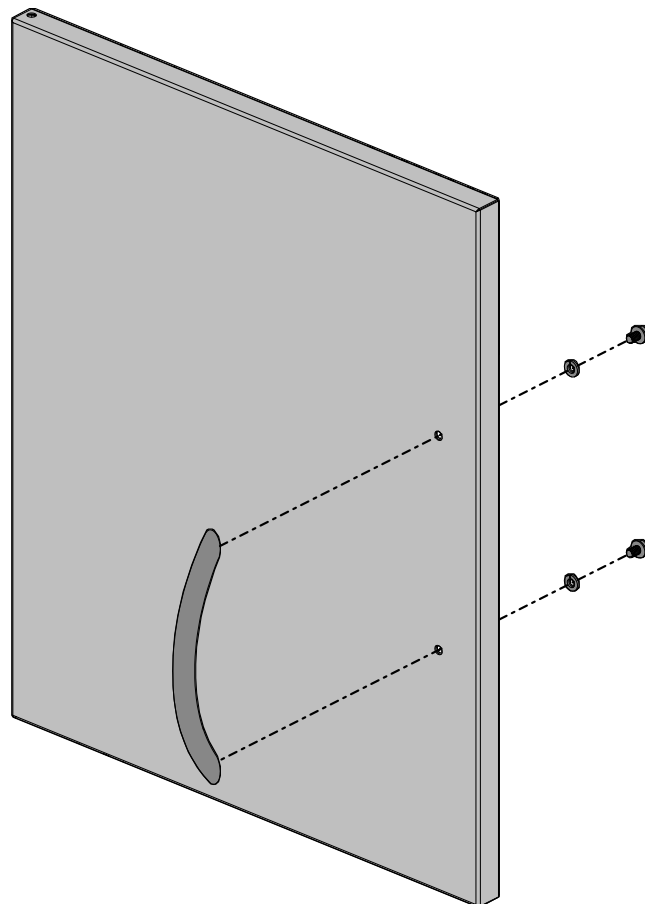
N570-0073 (1/4-20 X 3/8")

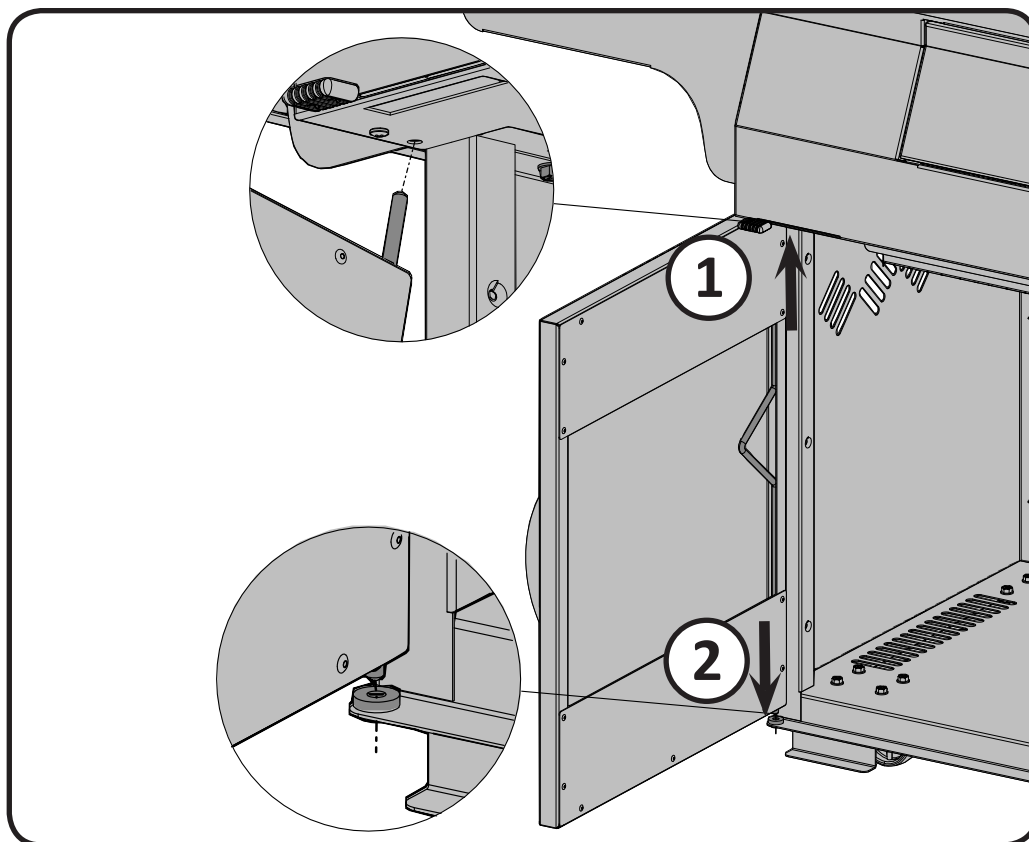
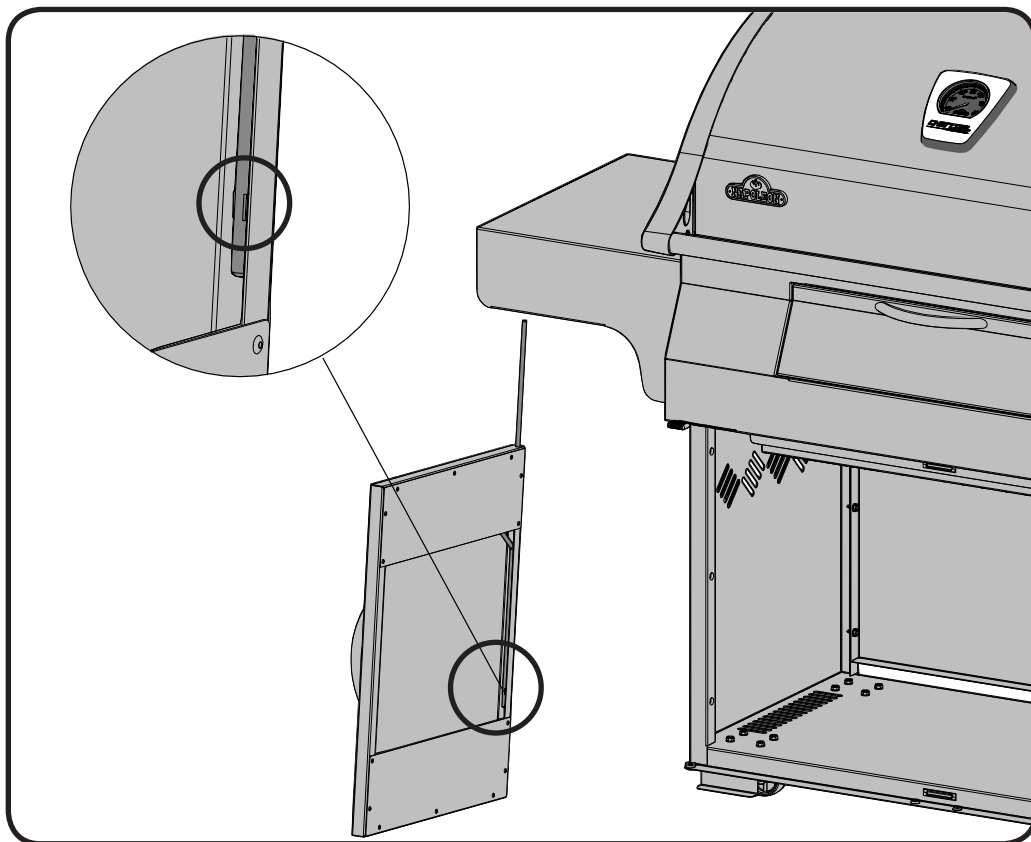


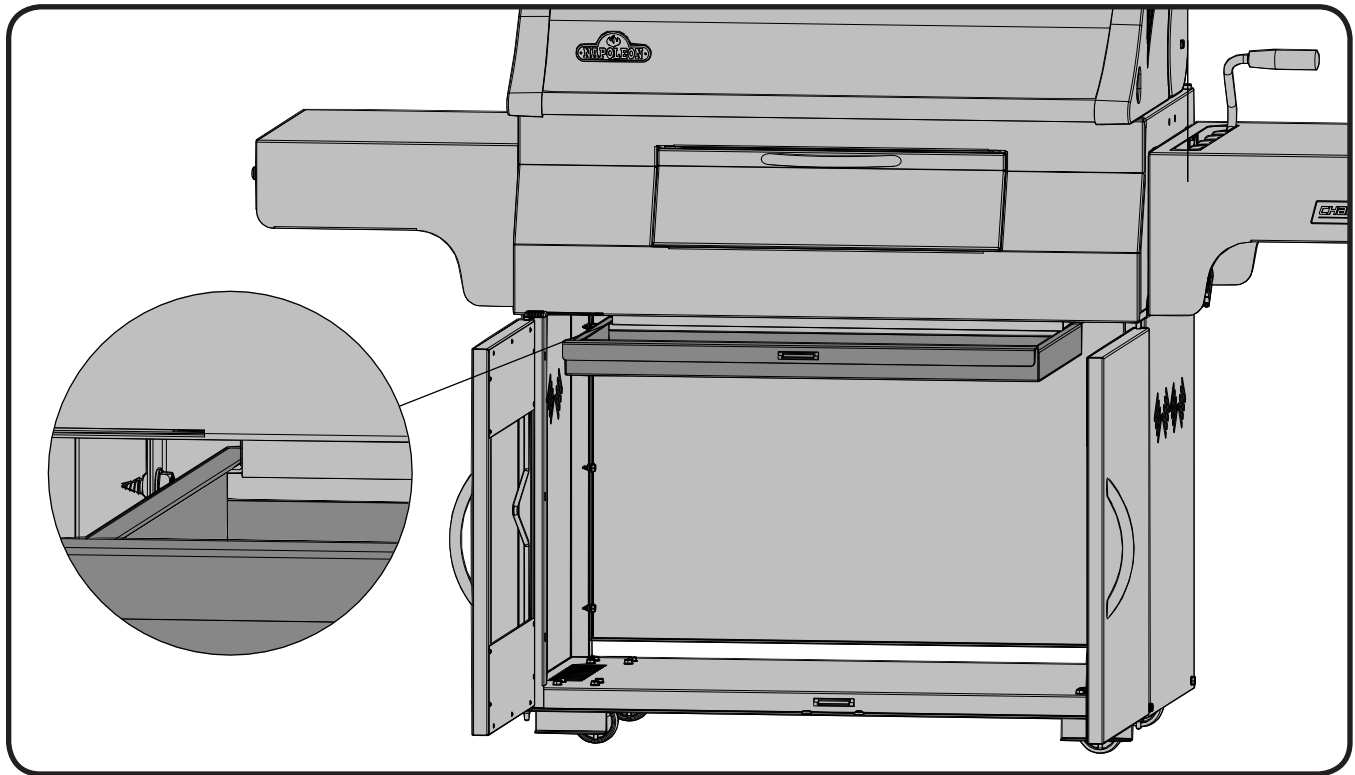
N735-0003 (1/4")



3/8" (10mm)





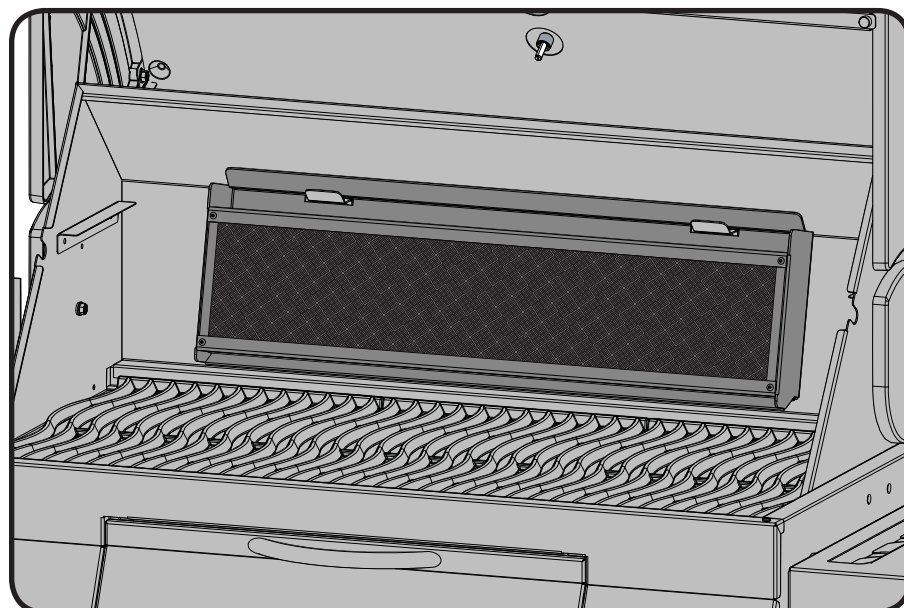


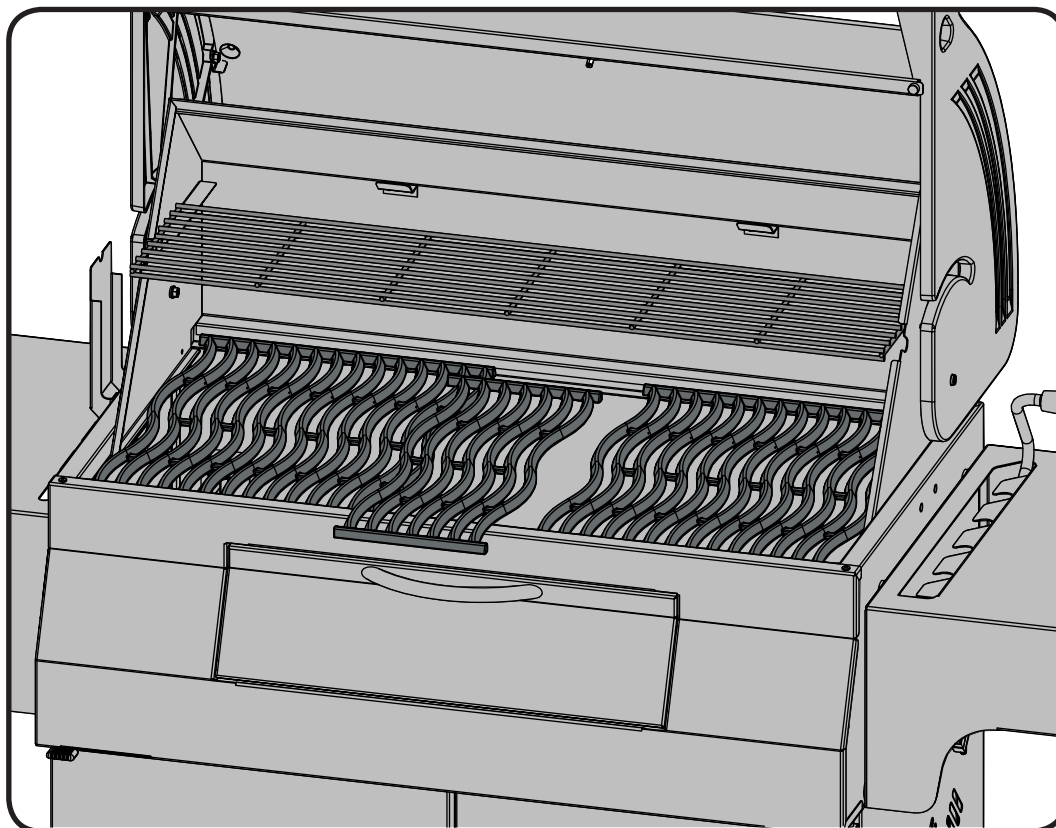
**WARNING!** Only Install rear chamber when using.

**VAROVÁNÍ!** Montujte zadní komoru hořáku pouze v případě, že se jí chystáte použít.

**VAROVANIE!** Inštalácia zadnej komory iba pri použití.

**ВНИМАНИЕ!** Только Установите заднюю камеру при использовании.





## Rotisserie Kit Installation (optional)

### Návod a montáž grilovací sady (volitelné)

### Montážny návod pre set ražňa (rotisserie) (voliteľné)

### Инструкция по сборке набора вертелов (опциональная)

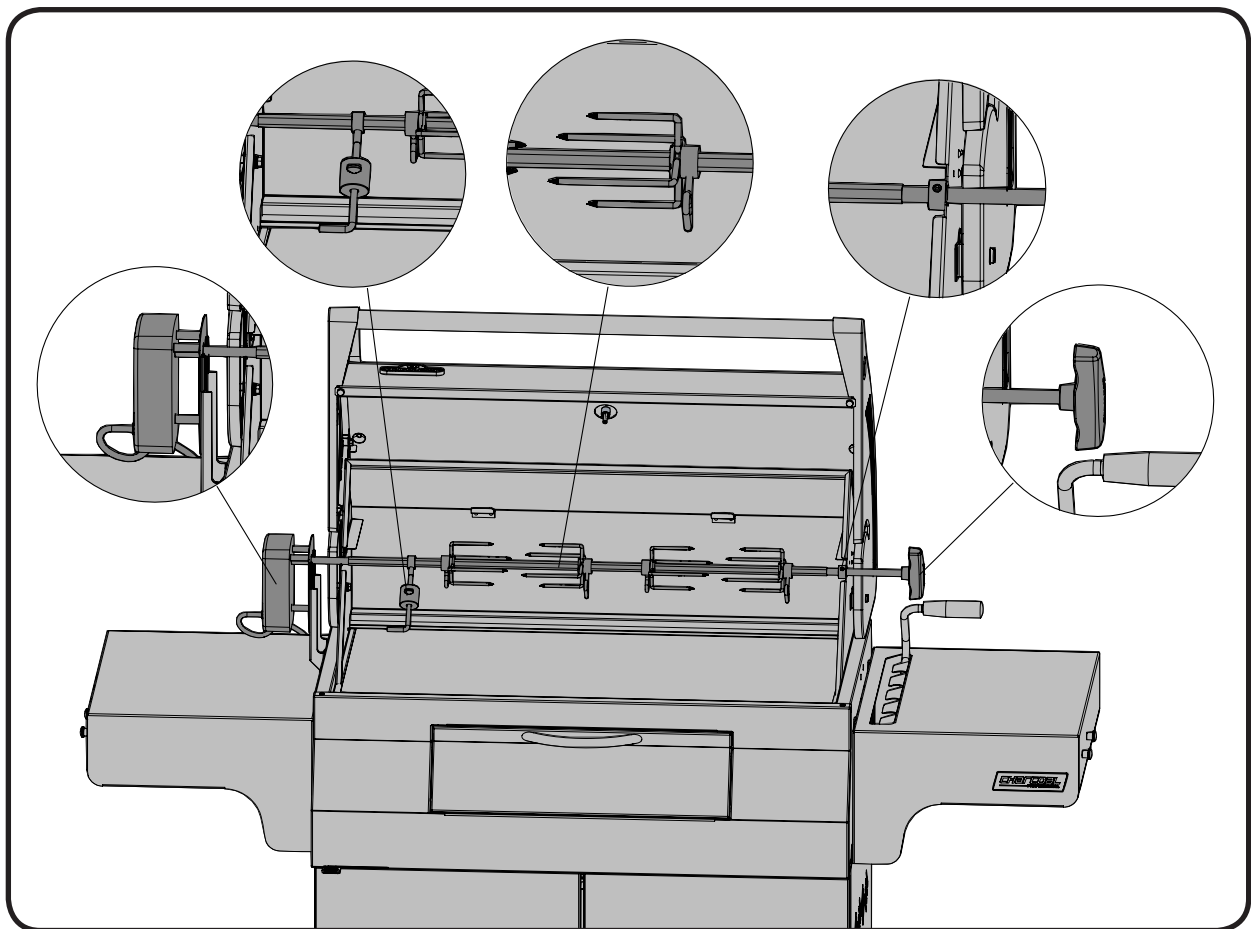


Ensure stop bushing is tightened on the inside of hood casting.

Ujistěte se, že průchodka je pevně dotažena na vnitřní straně kapoty odlitku.

Zaistite, aby zastavené púzdro bolo utiahnuté na vnútornej strane odliatku kapoty.

Убедитесь, что удерживающая втулка надлежащим образом зафиксирована.



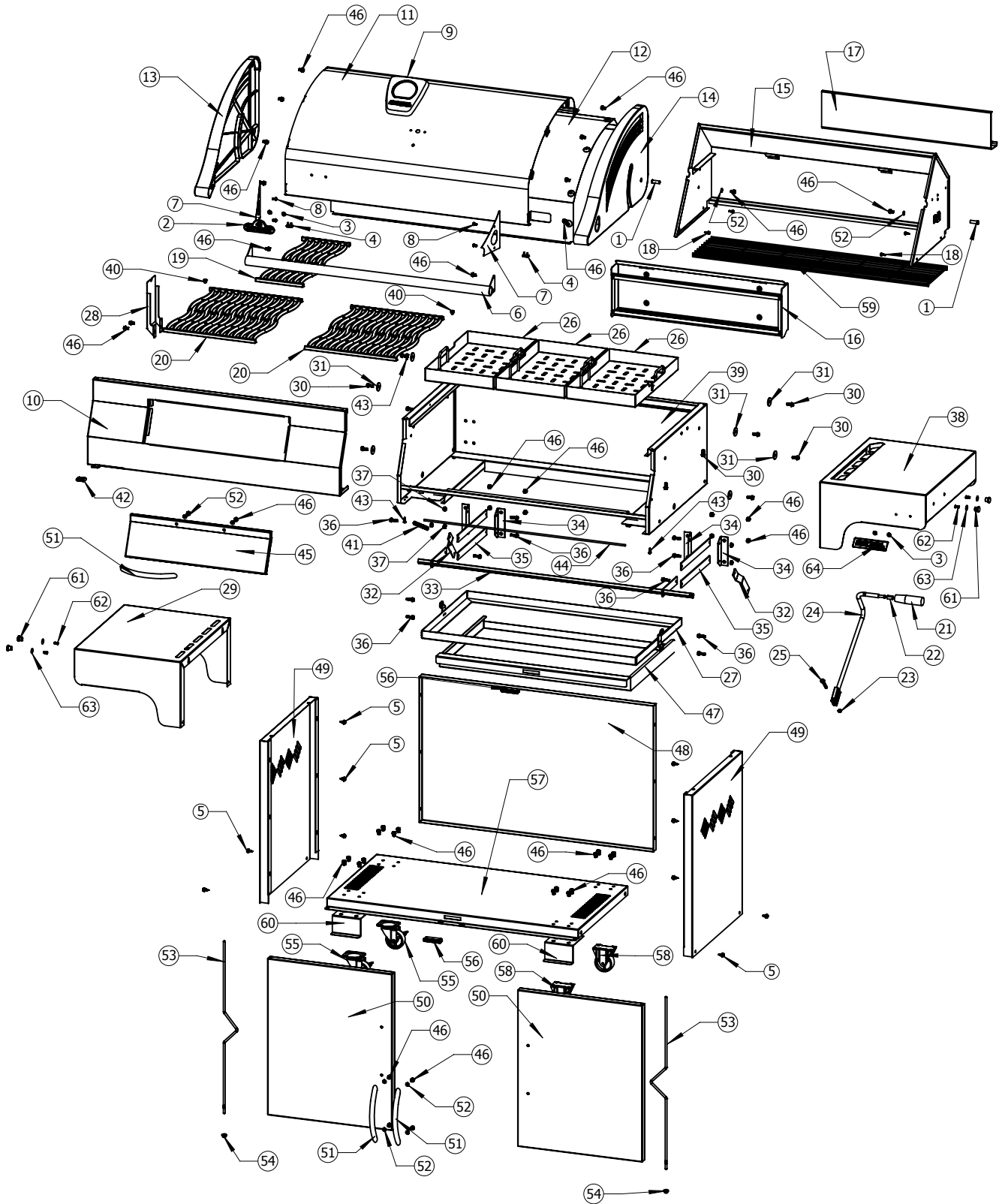
## Parts List

Item	Part #	Description	605
1	N570-0015	lid pivot screw / vis pivot du couvercle	x
2	N385-0308-SER	NAPOLEON logo / logo NAPOLÉON	x
3	W450-0005	logo spring clips / attaches à ressort pour logo	x
4	N510-0013	black silicone lid bumper / pare-choc du couvercle (silicone noire)	x
5	N570-0080	#14 x 1/2 zinc plated screw / vis #14 x 1/2	x
6	N010-0738	lid handle / poignée de couvercle	x
7	N080-0287-GY1HT	lid casting cover / couverture poignée du couvercle	x
8	N570-0042	10-24 x 3/8" screw / vis 10-24 x 3/8"	x
9	N685-0014	temperature gauge / Jauge de température	x
10	N010-0562	base front panel assembly / assemblage du panneau avant de la base	x
11	N335-0044L-M04	stainless steel lid insert / appliqué pour couvercle en acier inoxydable	x
12	N585-0081	heat shield lid / protecteur de chaleur du couvercle	x
13	N135-0042-GY1HT	left side lid casting / moulage gauche du couvercle	x
14	N135-0043-GY1HT	right side lid casting / moulage droit du couvercle	x
15	N010-0553	hood assembly / hotte	x
16	N010-0550P	rear burner assembly / assemblage du brûleur arrière	x
17	N565-0005	screen, rear burner / plaque de protection du brûleur arrière	x
18	N570-0008	#8 x 1/2" screw / vis #8 x 1/2"	x
19	N305-0091	sm cooking grid - cast iron / grilles de cuisson - fonte	x
20	N305-0063	cooking grids - cast iron / grilles de cuisson - fonte	x
21	N325-0054	handle outer charcoal tray lever / poignée du levier externe du bac à charbon de bois	x
22	N540-0004	snap ring / anneau élastique	x
23	W450-0032	locking nut 1/4-20 / Écrou de blocage 1/4-20	x
24	N010-0555	handle assembly charcoal tray lever / assemblage du levier externe du bac à charbon de bois	x
25	N570-0084	1/4-20 x 2" screw / vis 1/4-20 x 2"	x
26	N010-0918-BK1HT	charcoal tray assembly / assemblage du bac à charbon de bois	x
27	N010-0551P	charcoal tray frame assembly / assemblage du cadre du bac à charbon de bois	x
28	N475-0301-M06	rotisserie mount / support de rôtissoire	x
29	N590-0166	stainless steel side shelf - left / tablette latérale en acier inoxydable - gauche	x
30	N570-0082	1/4-20 x 5/8" screw / vis 1/4-20 x 5/8"	x
31	N735-0001	insulated washer / rondelle isolée	x
32	N080-0241P	bracket offset / support de décalage	x
33	N010-0552P	lever assembly / assemblage du levier interne	x
34	N080-0219	bracket rear arm / support du bras de levage	x
35	N655-0103P	support arm / bras de levage	x
36	N570-0085	M6 X 20mm screw / vis M6 X 20mm	x
37	N450-0030	locking nut M6 / M6 écrou	x
38	N590-0167	stainless steel side shelf - right / tablette latérale en acier inoxydable - droite	x
39	N010-0549	base assembly / assemblage de la base	x
40	Z510-0003	black silicone lid bumper / pare-choc du couvercle (silicone noire)	x
41	N630-0004	spring / ressort	x
42	N500-0042B	vent handle / ventilation poignée	x
43	N570-0013	#8 x 1/2" screw / vis #8 x 1/2"	x
44	N555-0034	pivot rod charcoal access door / tige de pivot de la porte d'accès	x
45	N010-0554	charcoal access door assembly / porte d'accès au bac à charbon	x
46	N570-0073	1/4-20 X 3/8" screw / vis 1/4-20 X 3/8"	x
47	N710-0057P	ash tray/drip pan / tiroir d'égouttement et à cendres	x

## Parts List

Item	Part #	Description	605
48	N475-0214P	rear cart panel / panneau arrière du cabinet	x
49	N475-0213P	left and right cart panel / panneaux gauche et droit du cabinet	x
50	N010-0548	cart door assembly / porte du cabinet	x
51	N325-0049	door handle / poignée de porte	x
52	N735-0003	1/4" lockwasher / Écrou de blocage 1/4-20	x
53	N555-0018	door pivot rod / tige de pivot de la porte	x
54	N105-0011	door bushings / bagues de porte	x
55	N130-0012	revolving casters / roulette pivotante	x
56	N430-0002	magnetic catch / loquet magnétique	x
57	N590-0165P	bottom shelf / tablette inférieure	x
58	N130-0013	non revolving caster / roulette non pivotante	x
59	N520-0024	warming rack / grille de réchaud	x
60	N080-0212P	stability bracket / support de stabilisation	x
61	Z430-0001	tool hook side shelves / crochet d'outil tablette latérale	x
62	N570-0088	10-24 x 1/2" screw / vis 10-24 x 1/2"	x
63	N735-0007	1/4" washer / rondelle de 1/4"	x
64	N385-0244-SER	charcoal logo / de charbon logo	x
	69331	rotisserie kits NA / ensemble de rôtissoire NA	ac
	69332	rotisserie kits CE / ensemble de rôtissoire CE	ac
	69333	rotisserie kits UK / ensemble de rôtissoire UK	ac
	68605	vintl cover / housse en vinyle	ac
	56018	stainless steel griddle / plaque de cuisson en acier inoxydable	ac
	56040	cast iron griddle / plaque de fonte	ac

x - standard      x - стандарт  
ac - accessory      ac - принадлежность





**Notes**



**Notes**

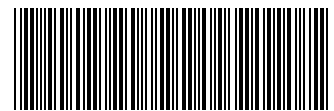


**Notes**





Napoleon products are protected by one or more U.S. and Canadian and/or foreign patents or patents pending.  
Les produits de Napoléon sont protégés par notre brevet d'invention dans les pays États Unis, Canada et international.



N415-0279E