

MODULAR CABINET ASSEMBLY INSTRUCTIONS

Use this manual in conjunction with your main manual to properly assemble your built-in grill. Refer to the, main manual for operating, cleaning, and maintenance instructions. This grill is designed for **NON-COMBUSTIBLE**, enclosures only, and must be installed and serviced by a qualified installer to local codes.

Exim International (Australia) Pty Ltd
24 Harrington Street, Arundel Industrial Park,
Arundel, QLD 4214

Free call: 1300 361557 E-mail: info@napoleongrills.com.au

RETAIN THIS MANUAL FOR FUTURE REFERENCE.

EXIM PRESIDENT'S LIMITED LIFETIME WARRANTY

Exim warrants the following materials and workmanship in your new product against defects for as long as you own it. This covers: stainless steel panels, stainless steel drawer fronts. Subject to the following conditions. During the first ten years Exim will provide replacement parts at our option free of charge. From the eleventh year to lifetime Exim will provide replacement parts at 50% of the current retail price. Components such as the leveling feet, pivot rods, hoses and connectors, fasteners and accessories are covered and Exim will provide parts free of charge during the first year of the limited warranty. Exim shall not be liable for any transportation charges, labour costs or export duties.

CONDITIONS AND LIMITATIONS

"Exim warrants its products against manufacturing defects to the original purchaser only, provided that the purchase was made through an authorized dealer and is subject to the following conditions and limitations:"

This factory warranty is non-transferable and may not be extended what-so-ever by any of our representatives.

The gas grill must be installed by a licensed, authorized service technician or contractor. Installation must be done in accordance with the installation instructions included with the product and all local and national building and fire codes.

This limited warranty does not cover damages caused by misuse, lack of maintenance, grease fires, hostile environments, accident, alterations, abuse or neglect and parts installed from other manufacturers will nullify this warranty.

This limited warranty further does not cover any scratches, dents, painted finishes, corrosion or discolouring by heat, abrasive and chemical cleaners, nor chipping on porcelain enamel parts, nor any components used in the installation of the gas grill.

Should deterioration of parts occur to the degree of non-performance within the duration of the warranted coverage, a replacement part will be provided.

In the first year only, this warranty extends to the replacement of warranted parts which are defective in material or workmanship provided that the product has been operated in accordance with the operation instructions and under normal conditions.

After the first year, with respect to this Limited Lifetime Warranty Exim may, at its discretion, fully discharge all obligations with respect to this warranty by refunding to the original warranted purchaser the wholesale price of any warranted but defective part(s).

Exim will not be responsible for the installation, labour or any other costs or expenses related to the re-installation of a warranted part, and such expenses are not covered by this warranty.

Notwithstanding any provision contained in this Limited Warranty Exim's responsibility under this warranty is defined as above and it shall not in any event extend to any incidental, consequential, or indirect damages.

This warranty defines the obligation and liability of Exim with respect to the NAPOLEON or other gas grill and any other warranties expressed or implied with respect to this product, its components or accessories are excluded.

Exim neither assumes, nor authorizes any third party to assume, on its behalf, any other liabilities with respect to the sale of this product. Exim will not be responsible for: over firing, blow outs caused by environmental conditions such as strong winds, or inadequate ventilation.

Any damages to the gas grill due to weather damage, hail, rough handling, damaging chemicals or cleaners will not be the responsibility of NAPOLEON.

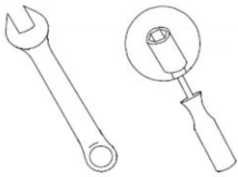
The bill of sale or copy will be required together with a serial number and a model number when making any warranty claims from Exim.

Exim reserves the right to have its representative inspect any product or part prior to honouring any warranty claim.

Exim shall not be liable for any transportation charges, labour costs, or export duties.

TOOLS REQUIRED

Check for missing or damaged parts before you begin and consult your local retailer if necessary.



10mm WRENCH
OR NUTDRIVER



ADJUSTABLE
WRENCH

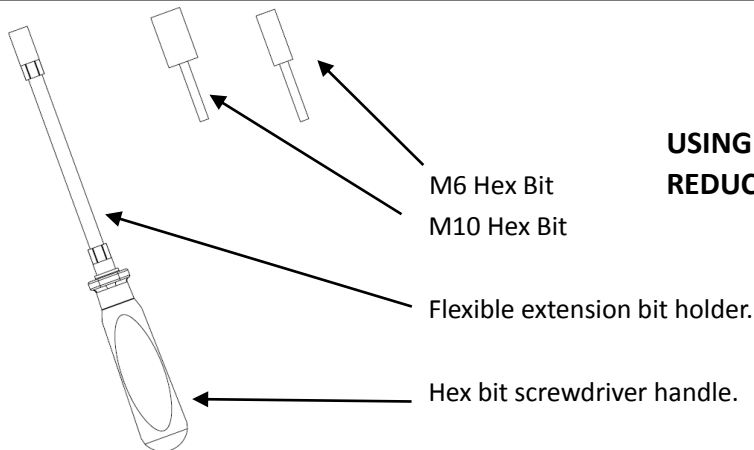


PHILIPS
SCREWDRIVER



HAMMER

TOOLS SUPPLIED (ONLY WITH SC-UNI)



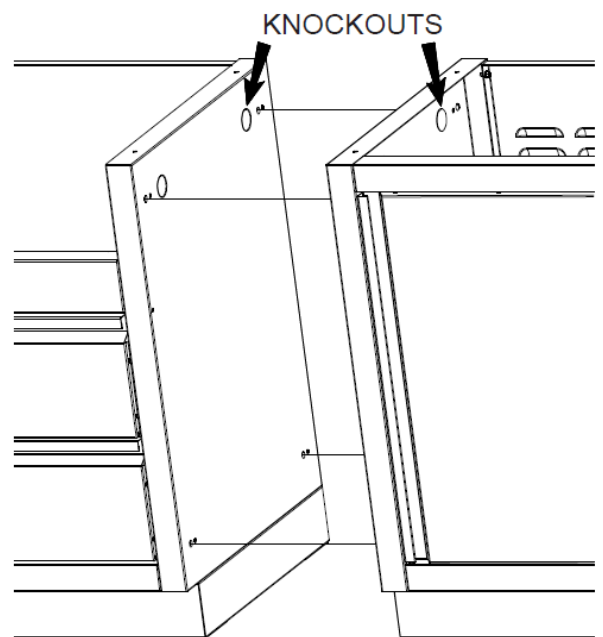
**USING AN ELECTRIC DRILL WILL SIGNIFICANTLY
REDUCE ASSEMBLY TIME AND FACILITATE ASSEMBLY**

GAS AND ELECTRICAL PIPING

The piping up to the gas grill is the responsibility of the installer and piping should be located as shown in the built-in instructions. Do not use hose to connect the unit. It must be connected with either rigid pipe, copper tube or an approved flexible metal connector. **The installation must comply with AS/NZS 5601.1 Natural Gas and Propane installations in Australia and New Zealand.**

Look to the manual that came with the gas grill for further instructions.

To ease installation and piping, removable knockouts have been provided in the side panels and in the center of each back panel. The knockouts in the side panels should be removed before the cabinets are bolted in a row. Only remove the knockouts that are required for the piping of any gas, plumbing or electrical lines.



PLANNING YOUR MODULAR OUTDOOR ISLAND

The Outdoor Modular Island series has been developed with versatility in mind. The cabinets can be assembled in virtually any combination to suit your individual needs. They can be assembled against a house wall or as a standalone island, becoming the focal point of your backyard. With multi-function and storage capabilities, your backyard island can be transformed into an outdoor kitchen, placing the host in the center of the action when entertaining guests.

The cabinets are designed to be easy to assemble and install for either the home owner or private contractor. All cabinets are 890mm tall by 710mm deep. All cabinets are 710mm wide except for the BUILT-IN grill cabinets whose width, corresponds to the width of the unit it was designed for. Each cabinet has 4 leveling feet for adjustment on even surfaces. The 2 drawer under grill cabinets are made to fit the Napoleon BUILT-IN series of grills only and are available in several different sizes. BUILT-IN grills come in several different sizes. Refer to the installation manuals that come with the grill head for proper installation and operating instructions.

The BUILT-IN series of grills can be ordered in your choice of propane or natural gas configuration. Natural gas is an obvious selection for many people that already have it available in their home. All gas modifications or installations must be done by a qualified gas installer. Knockouts are present in the side and rear panels for easy piping and installation. For those who order a propane grill, a propane tank cabinet is available.

The cabinets can be installed against a **NON-COMBUSTIBLE** wall of a house, a masonry or stucco half-wall, or freestanding in an island configuration. A powder coated 50mm wide end panel is included to cover the knockouts and mounting holes in the outside panels in a run of cabinets, giving a more finished look.

When utilizing 45° and 90° transitions in your design, modules on either side of the transition need to be chosen, carefully. If doors or drawers are used on either side of the transition, they will interfere with each other when opened.

If a drawer module is placed next to a grill, the control panel on the grill will prevent the top drawer from opening. Door modules can be used with 45° transitions, but the control panel will prevent the door from fully opening and may damage the door.

Optional built-in side burner kits or sink kits are available through your Napoleon Gas Grill dealer. These side burner kits and sink kits are an excellent complement to the BUILT-IN series of grills. We recommend that the side burner kit or sink, be installed over the top of the SC-UNI cabinet with SC-SK or SC-SINK kits. It has the separation panel at the top of the cabinet which allows protection for the side burner valve and hose routing. When installing the SINK kit, it is preferable to remove the separation panel.

Countertops can be purchased from your dealer in a modular form in black granite. You may also want to custom order your granite top to your preferred colour and to fit your configuration. The countertop material must be

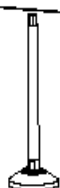
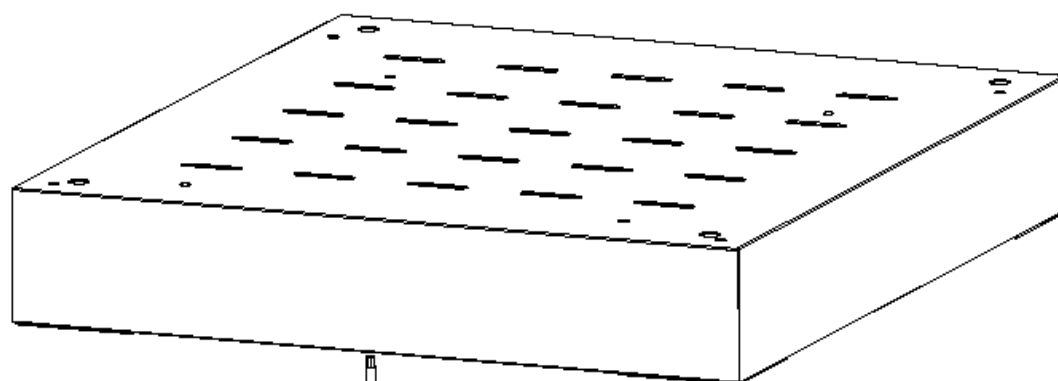
NON-COMBUSTIBLE if a grill is to be installed into it. They can be ordered in advance by drawing out the floor plan of how the cabinets will be situated and adding up the width measurements, allowing 1-2 inches of countertop overhang. Most countertop manufacturers are willing to come and take measurements after assembly of the cabinets is complete to ensure a perfect fit. The built-in grill head comes with stainless steel brackets and hardware that allow the unit to rest on the countertop above the corresponding island cabinet for that unit. Granite or Corian are excellent choices of countertop materials. Decorative countertops made of ceramic tile set on top of cement tiling board can be made to match your surrounding backyard furniture colors

SC-UNI UNIVERSAL SIDE CABINET ASSEMBLY INSTRUCTIONS:

SC-UNI

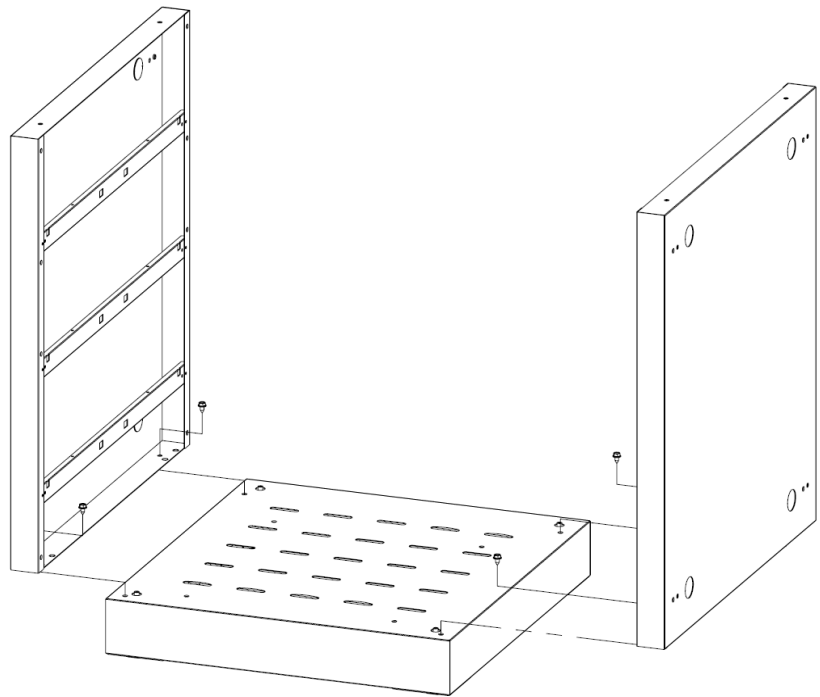
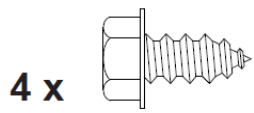
BOTTOM SHELF FEET ASSEMBLY

4 x



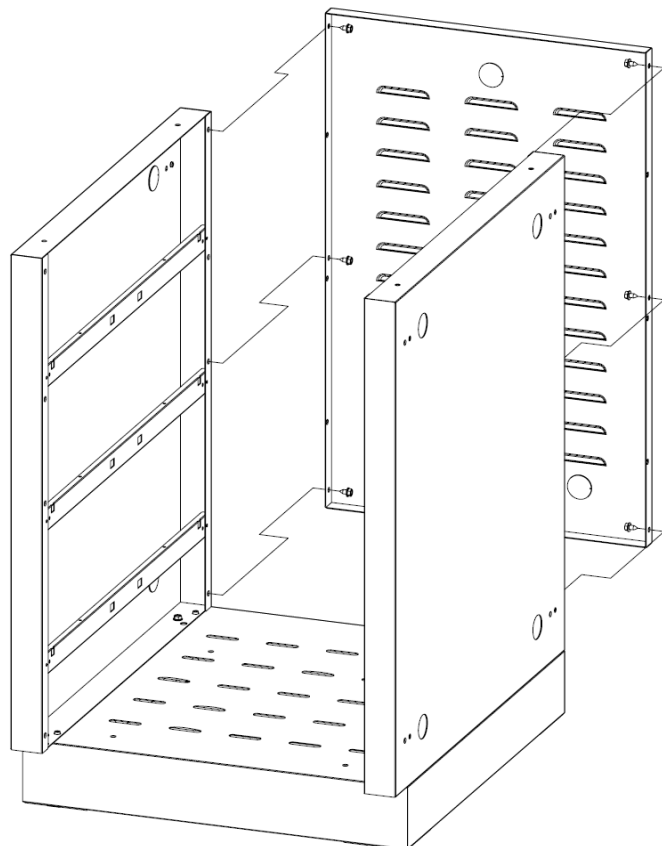
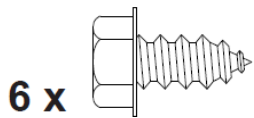
SC-UNI

SIDE PANEL ASSEMBLY



SC-UNI

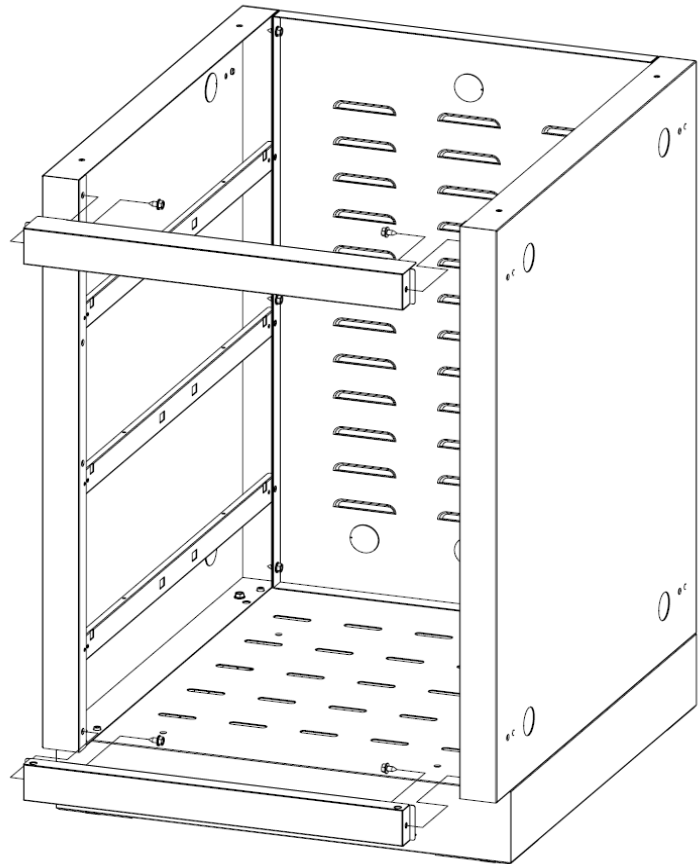
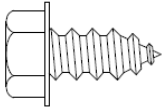
REAR PANEL ASSEMBLY



SC-UNI

TOP/BOTTOM RAIL ASSEMBLY

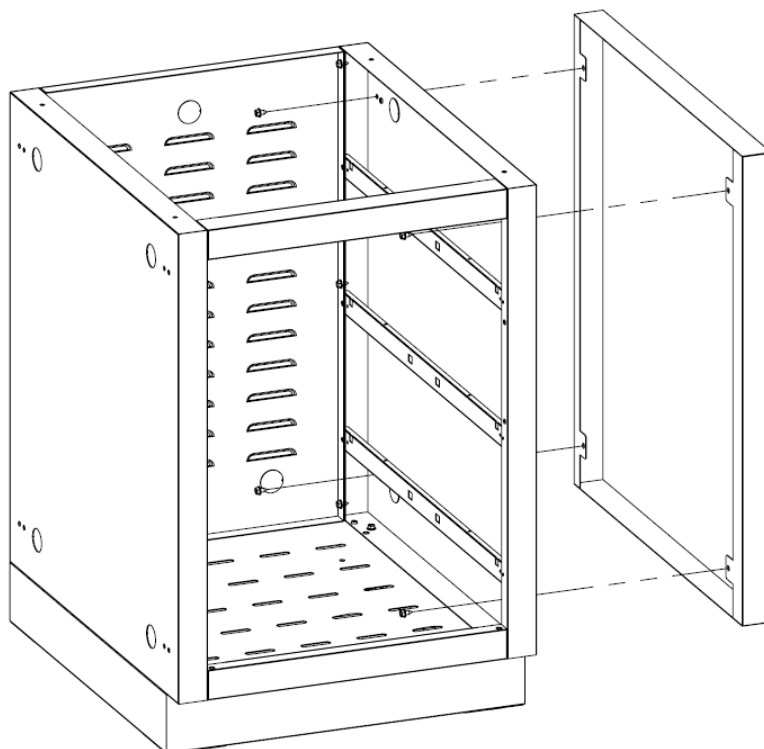
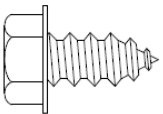
4 x



SC-UNI

CABINET END PANEL ASSEMBLY

4 x

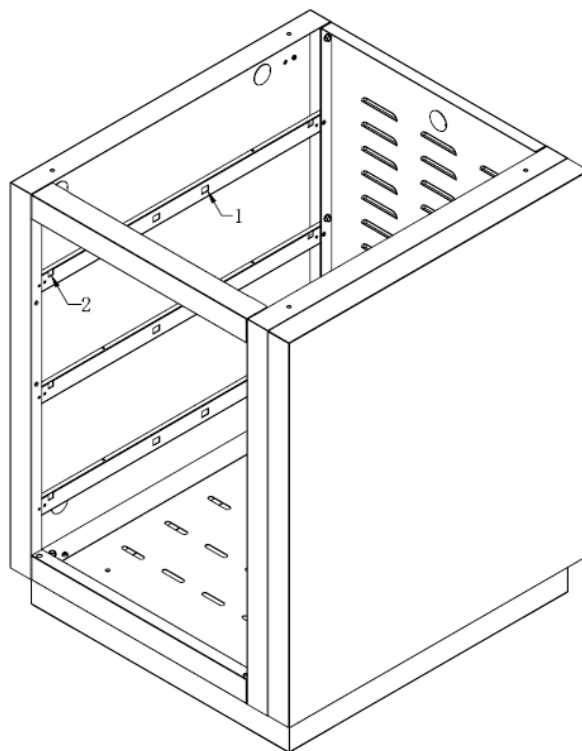
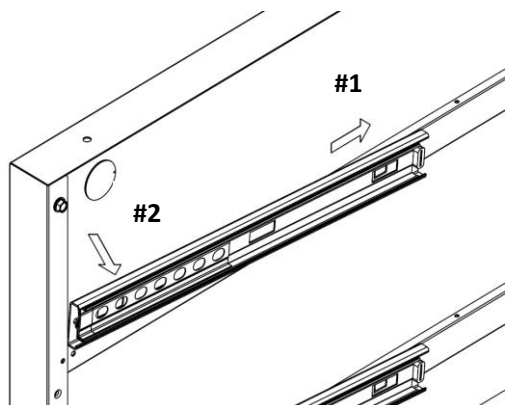


**END PANEL CAN
BE INSTALLED LEFT
OR RIGHT SIDE**

SC-DK DRAWER KIT ASSEMBLY INSTRUCTIONS

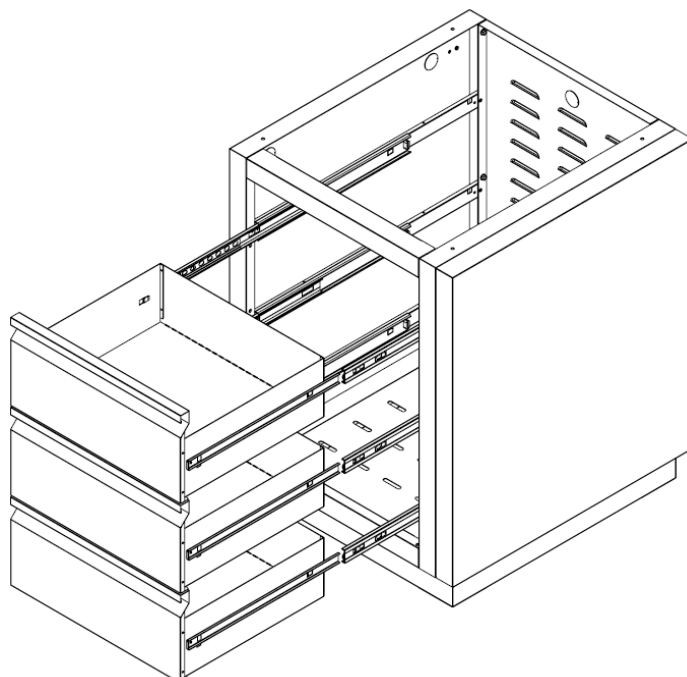
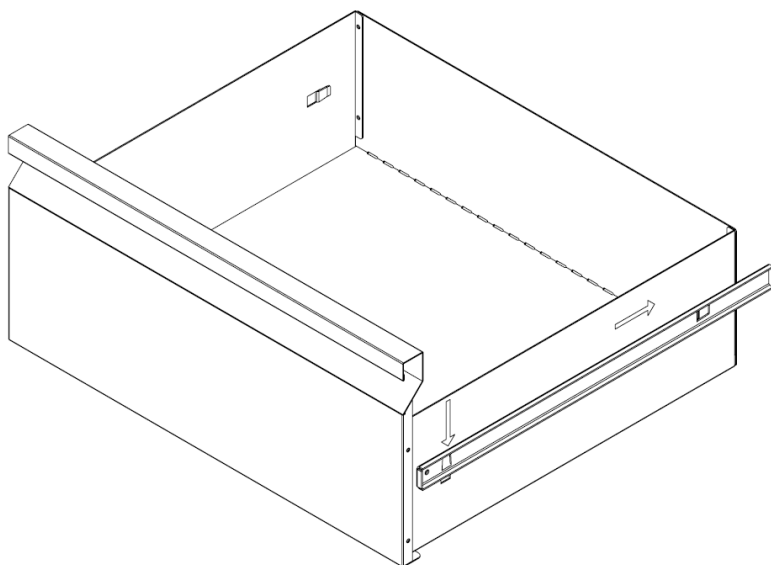
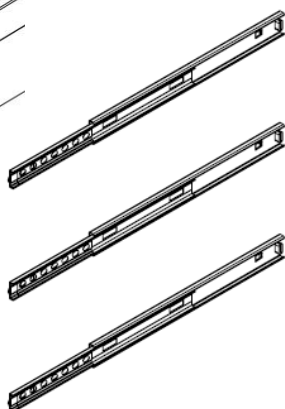
SC-DK

DRAWER SLIDES ASSEMBLY



ATTENTION

Ensure sliders are put
on correct sides



SC-DK SEPERATION PANEL SHELF&DOOR KIT ASSEMBLY INSTRUCTIONS

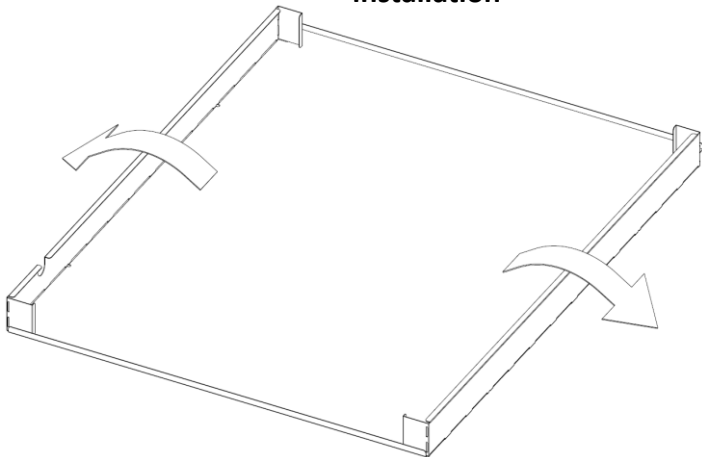
SC-SK

SEPERATION PANEL ASSEMBLY



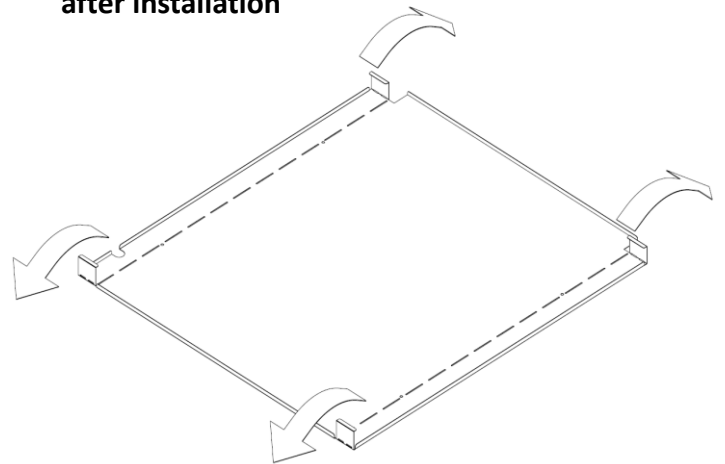
ATTENTION

Ensure that all tabs are bent up before installation



ATTENTION

Ensure that all tabs are bent back down after installation



SC-SK

SEPERATION PANEL AND SHELF ASSEMBLY



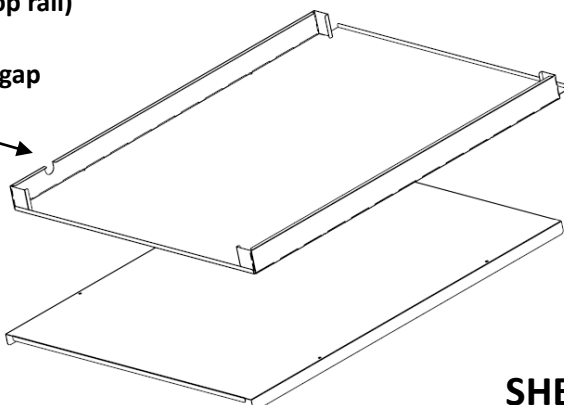
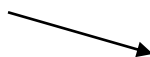
ATTENTION!

HINT: Before bending down the left tab of the separation panel, ensure the gas hose is inserted through the gas hose gap.

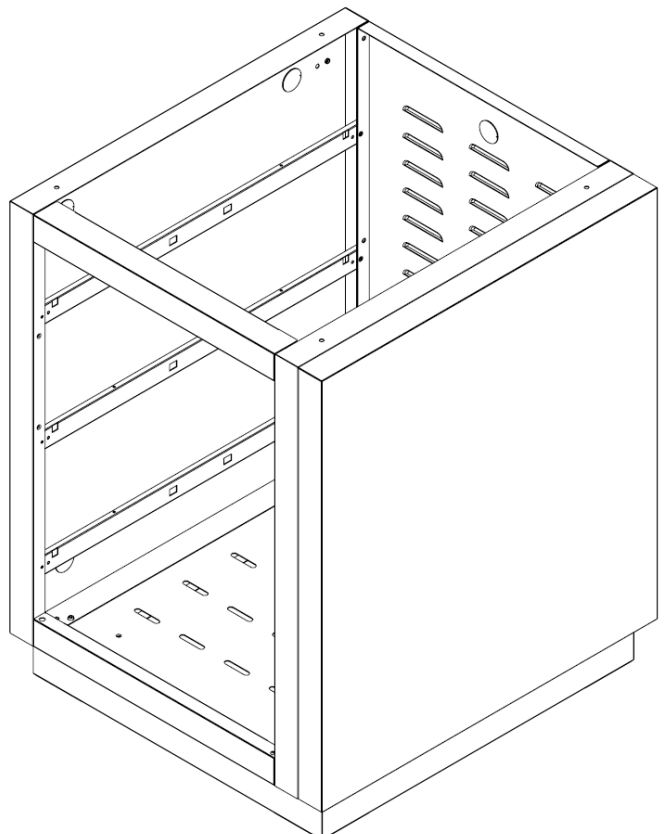
SEPERATION PANEL

(Place on top rail)

Gas hose gap

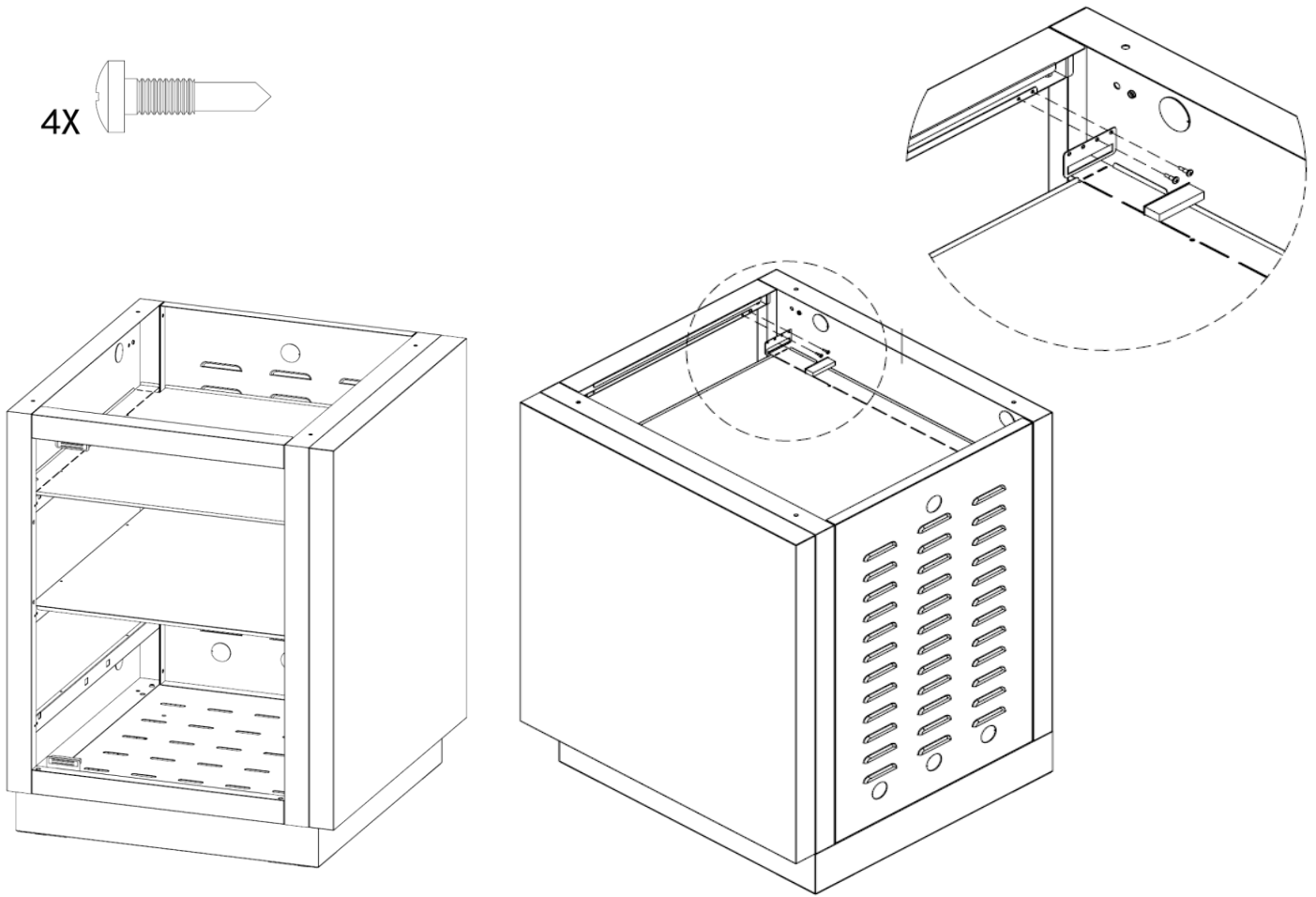
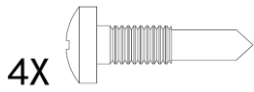


SHELF



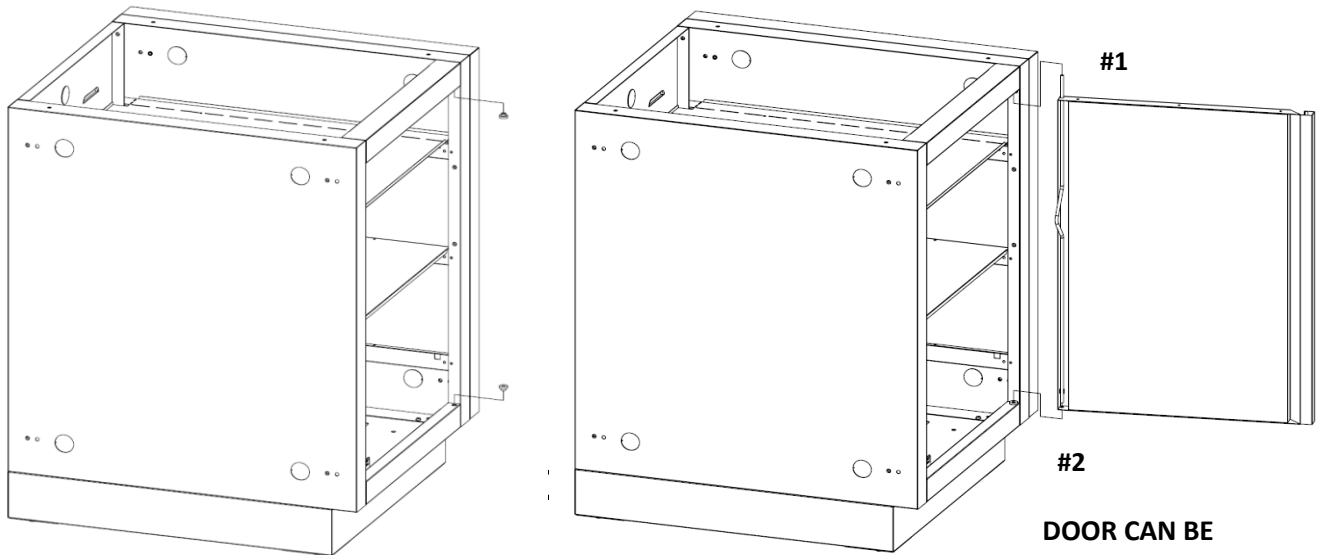
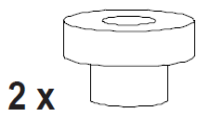
SC-SK

DOOR MAGNET ASSEMBLY (TOP/BOTTOM RAIL)



SC-SK

CABINET DOOR ASSEMBLY

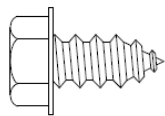


**DOOR CAN BE
MOUNTED AS LEFT
OR RIGHT OPENING.**

SC-PTK

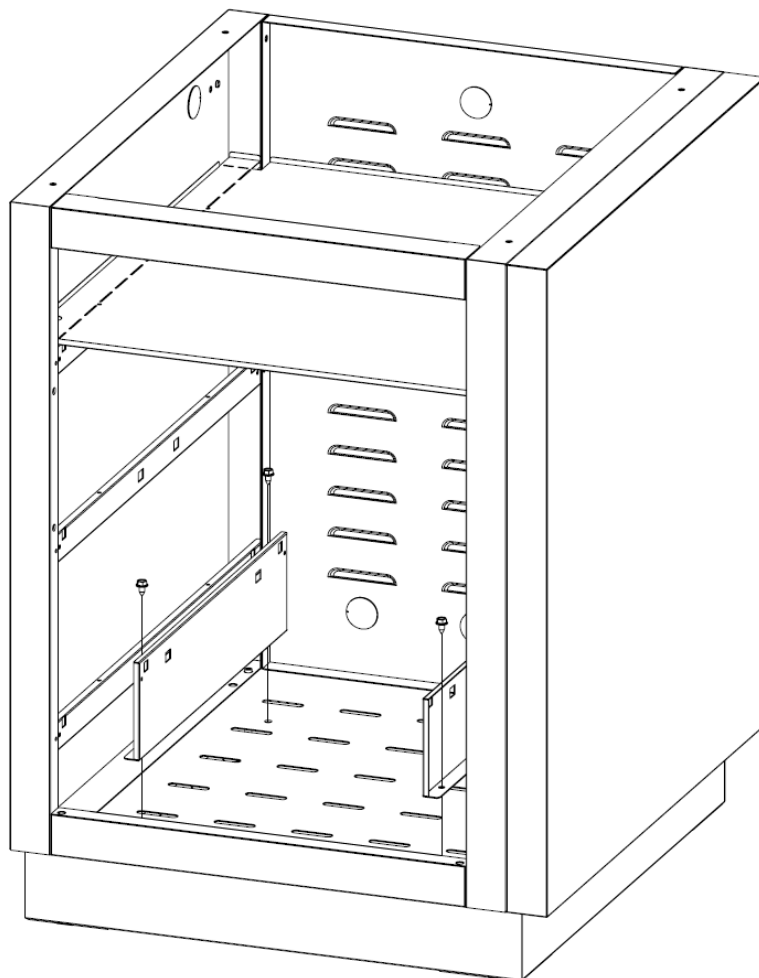
PROPANE TANK SLIDER ASSEMBLY

4 x



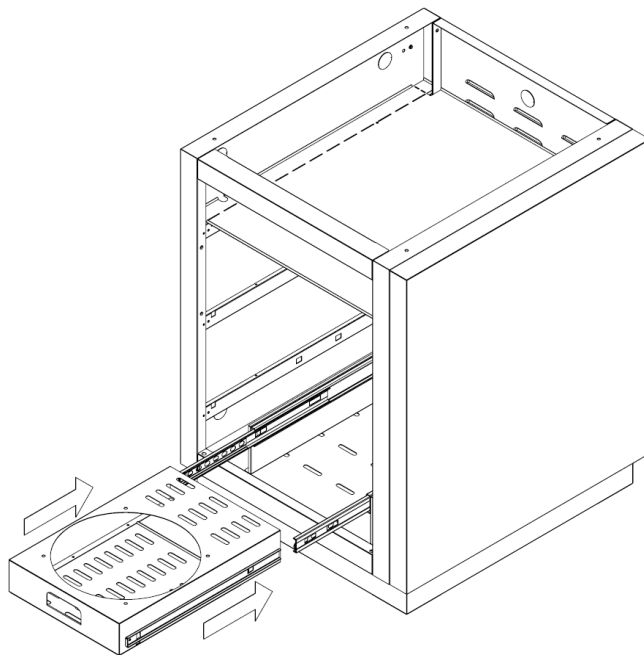
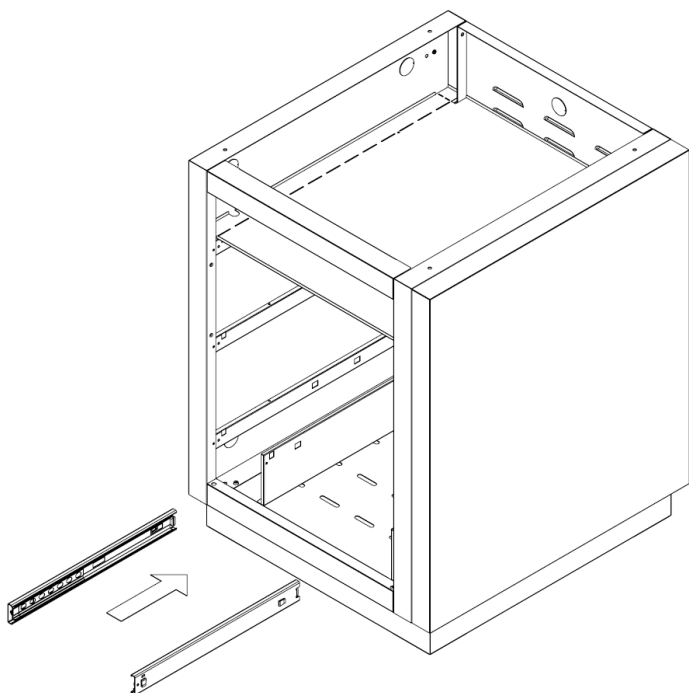
ATTENTION!

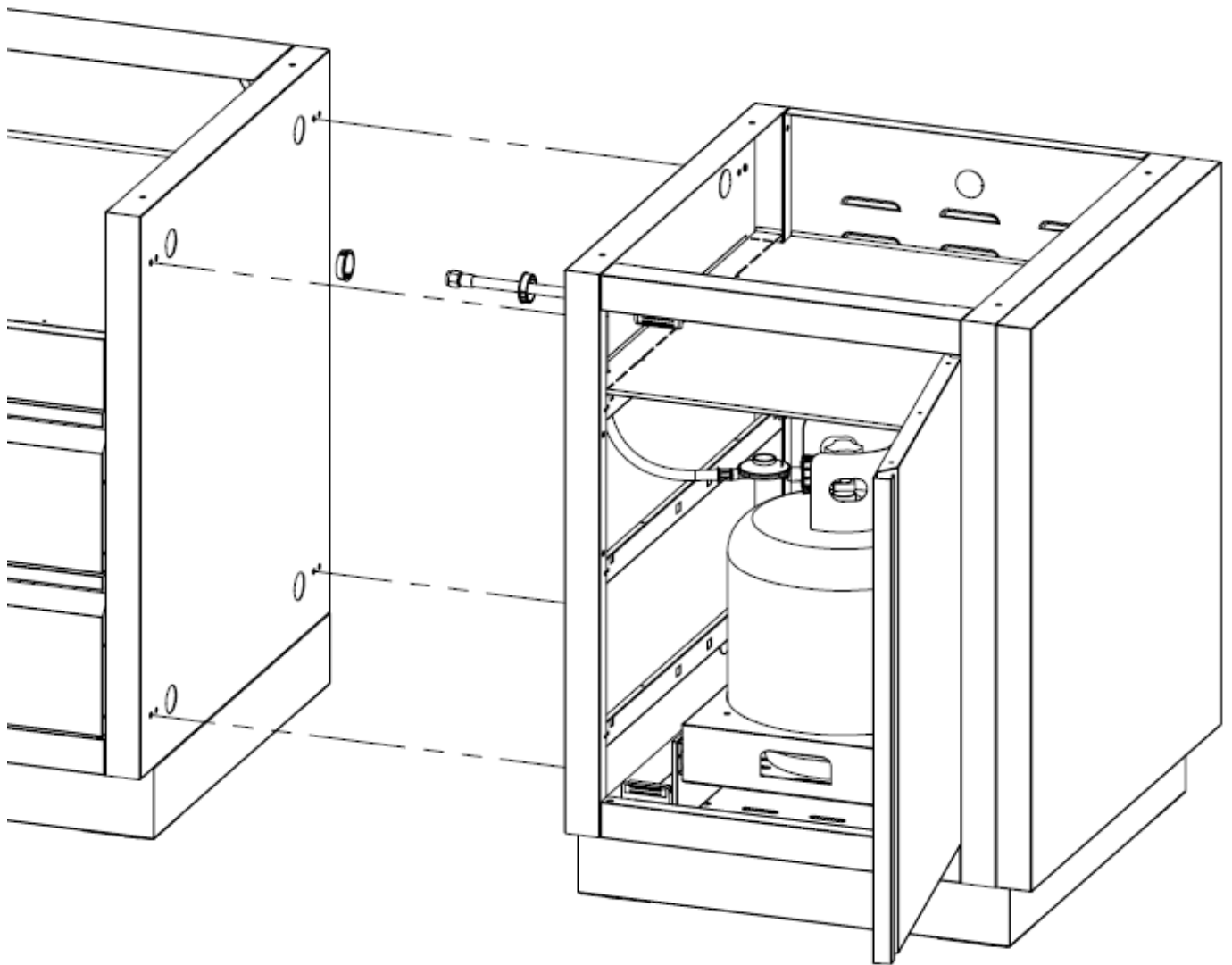
SEPERATION PANEL MUST BE USED WHEN INSTALLING A SIDE BURNER ABOVE THE LPG TANK.



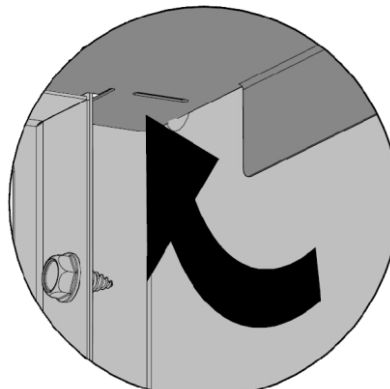
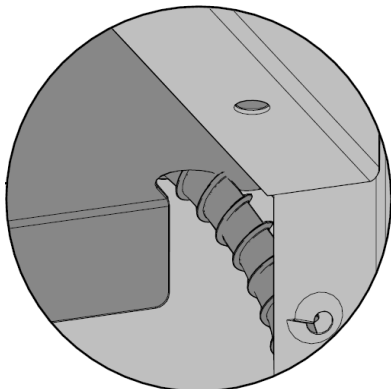
SC-PTK

PROPANE TANK SLIDER ASSEMBLY





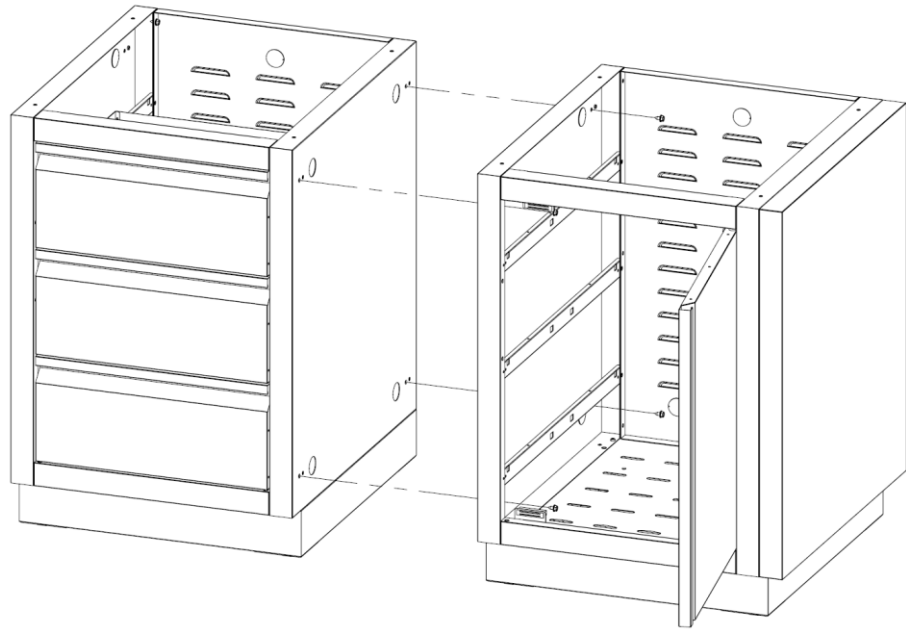
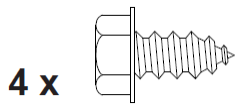
The gas connection of the grills is at the right of the control panel. Placing the tank enclosure cabinet to the right of the unit cabinet will make for easier gas piping. Knockouts have been punched in the sides and back panels to provide easy routing of gas or electrical piping. Once the knockout has been removed a plastic bushing supplied must be installed to prevent the gas or electrical line being cut on the edge of the hole. **Gas piping and installation must be done by a qualified gas installer.**



 **ATTENTION**

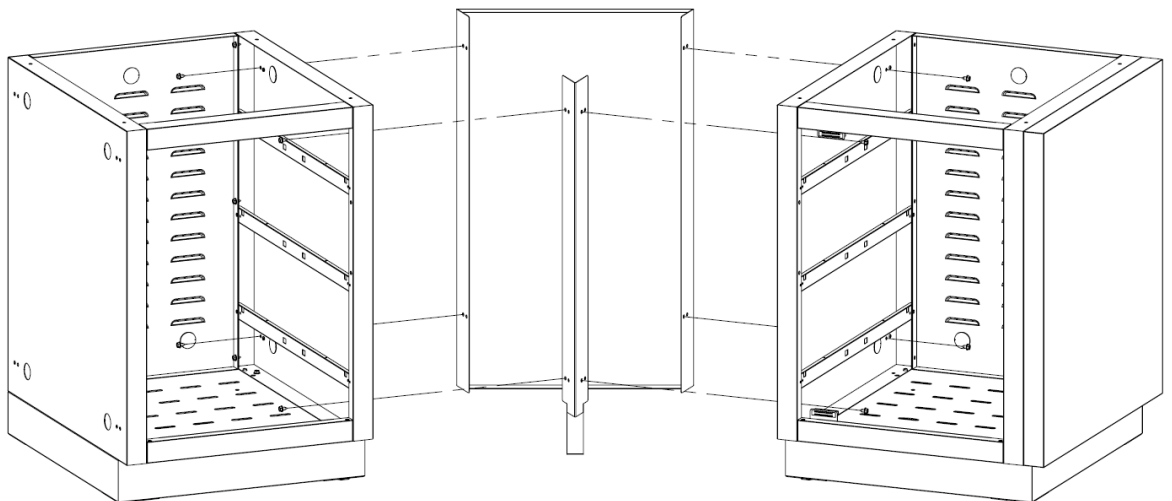
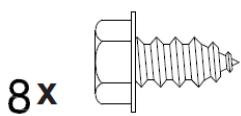
Ensure that all tabs are bent back after installation

CABINET TO CABINET ASSEMBLY



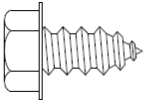
SC-45T

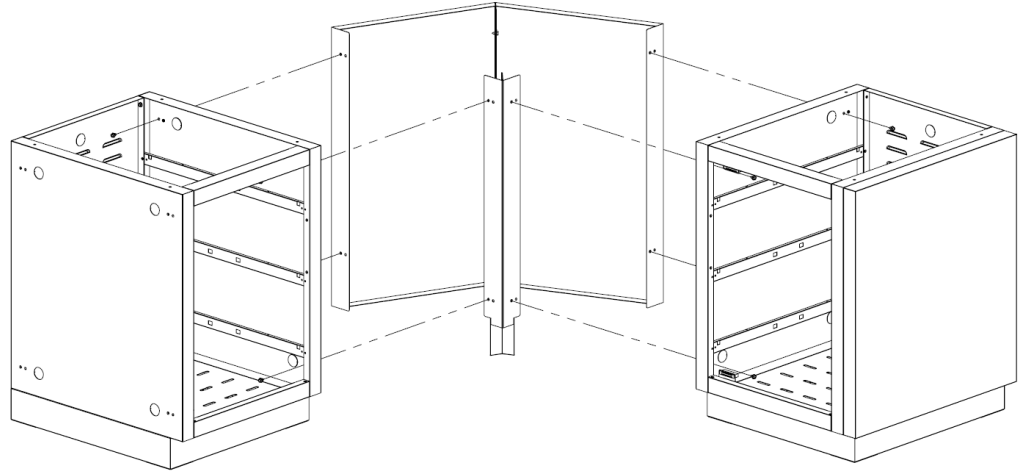
CABINET 45 DEGREE CONNECTION (OPTIONAL)



SC-45T X 2

CABINET 90 DEGREE CONNECTION (OPTIONAL)

12 x 



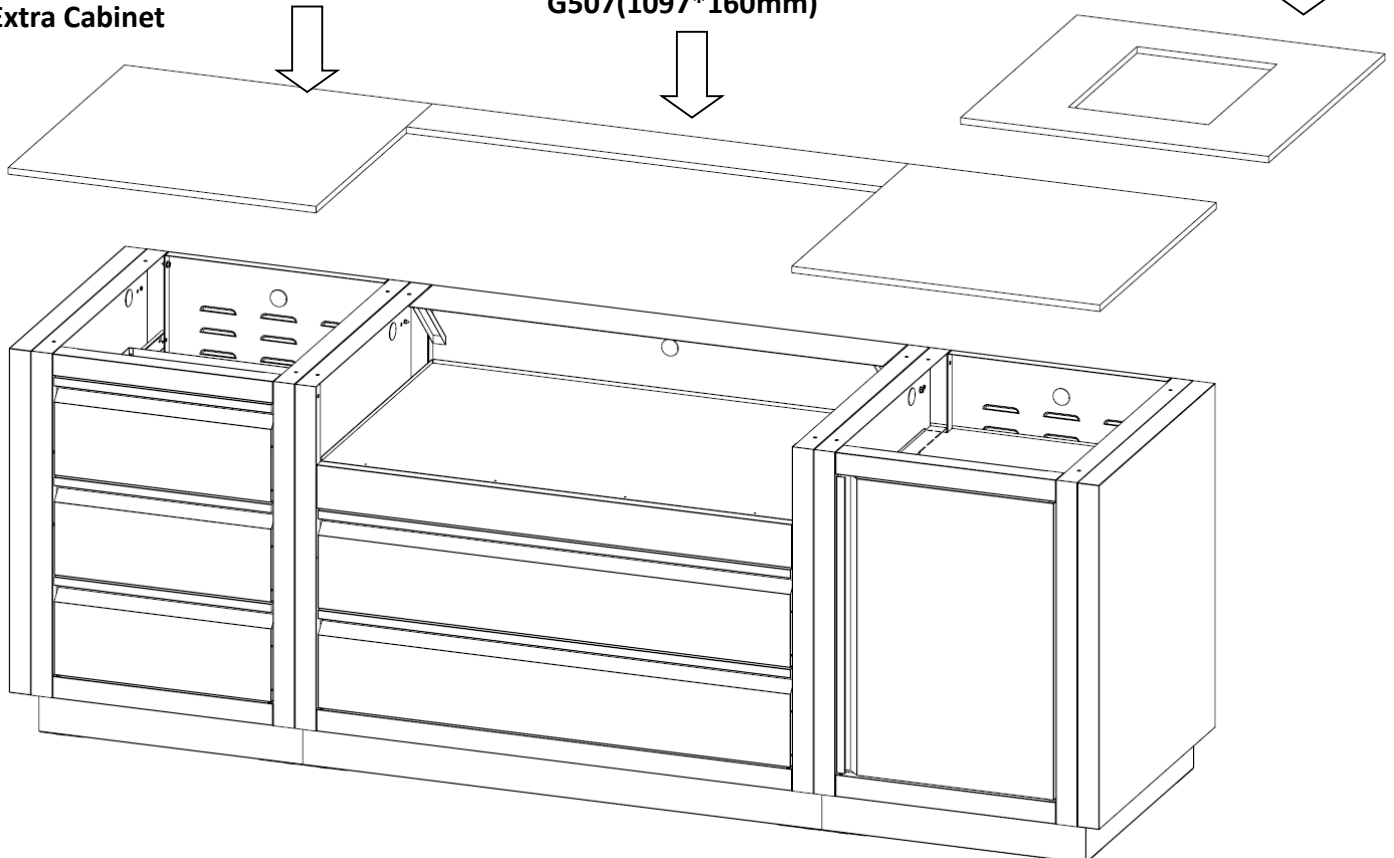
BLACK GRANITE COUNTERTOP ASSEMBLY

GRANITE COUNTER CAN BE SECURED WITH LIQUID NAILS OR SILICON. GAPS CAN BE FINISHED WITH EPOXY OR SILICON

**GRANITE
CABINET COUNTERTOP**
GT01(712*712mm)
GT03(712*610mm)For
Extra Cabinet

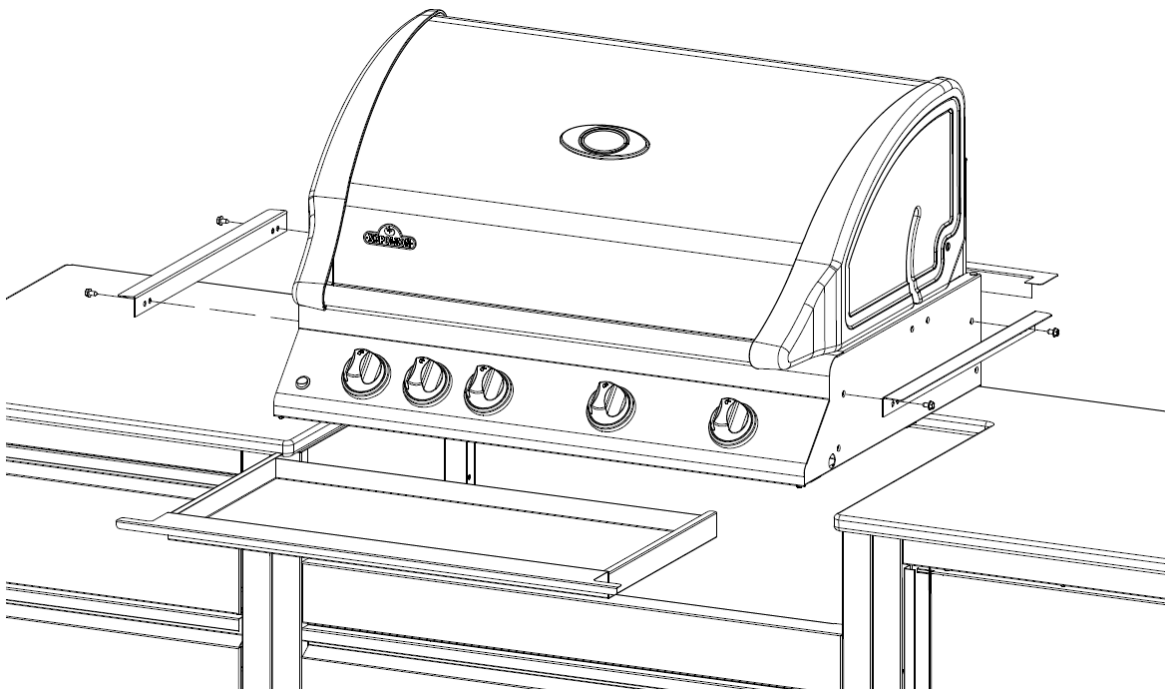
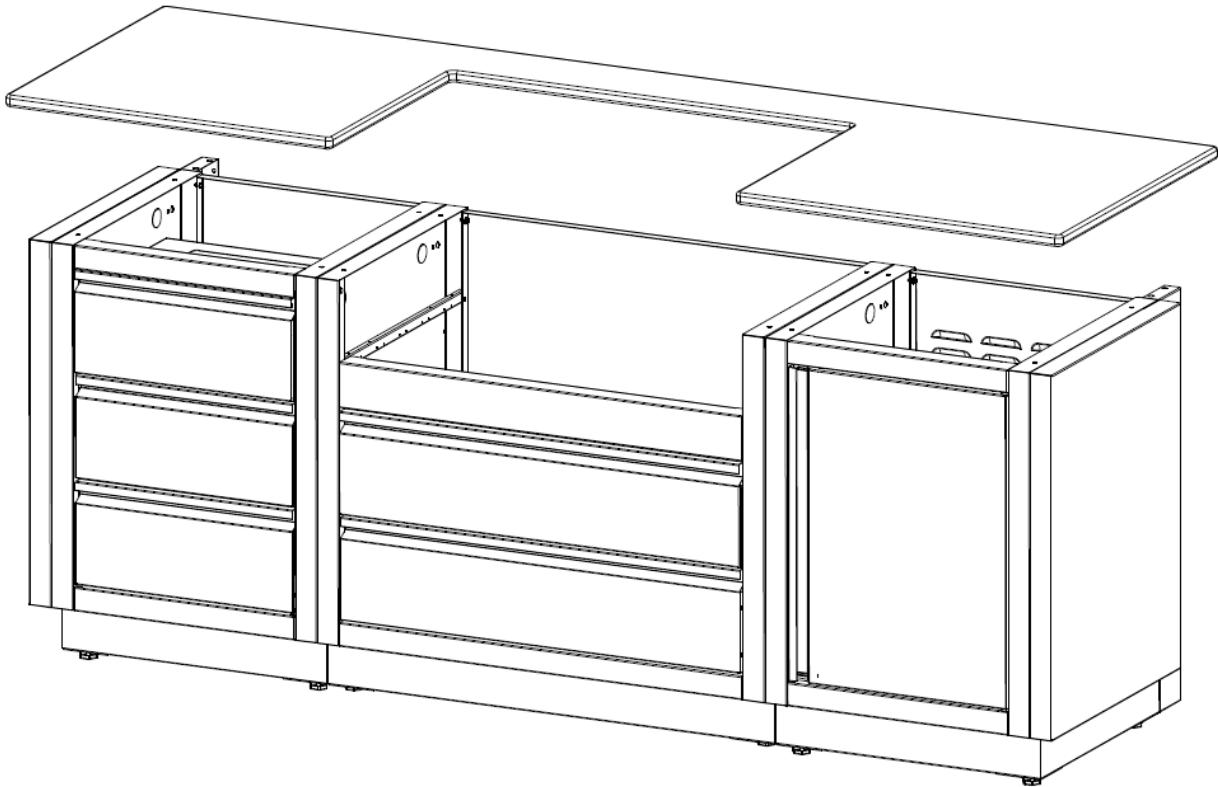
GRANITE BACK STRIP
G504(780*160mm)
G506(926*160mm)
G507(1097*160mm)

**OPTIONAL SIDE BURNER
OR SINK GRANITE TOP**
GT02(712*712mm)



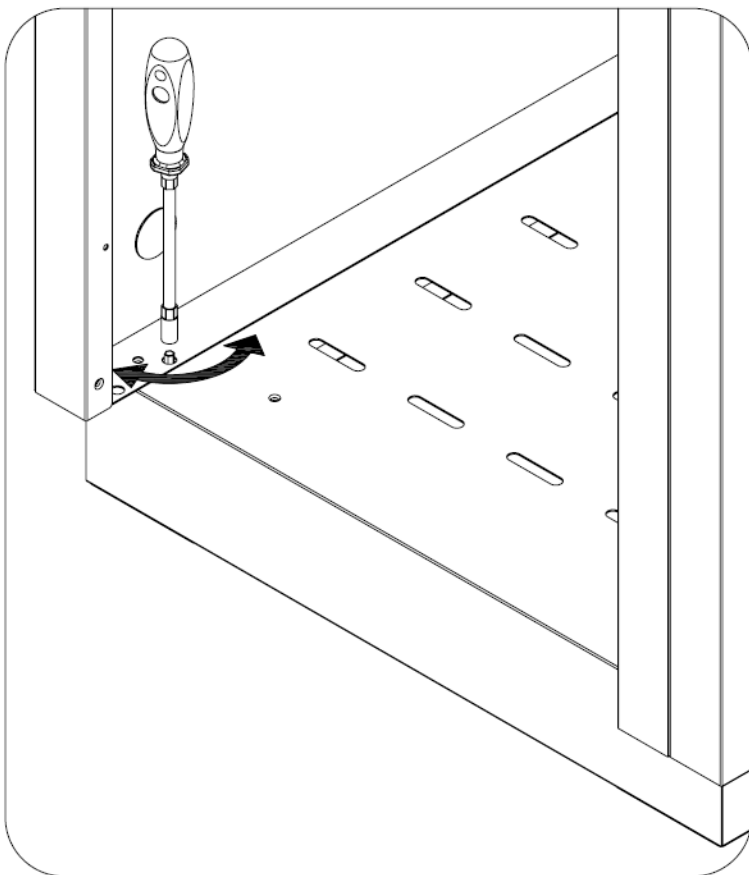
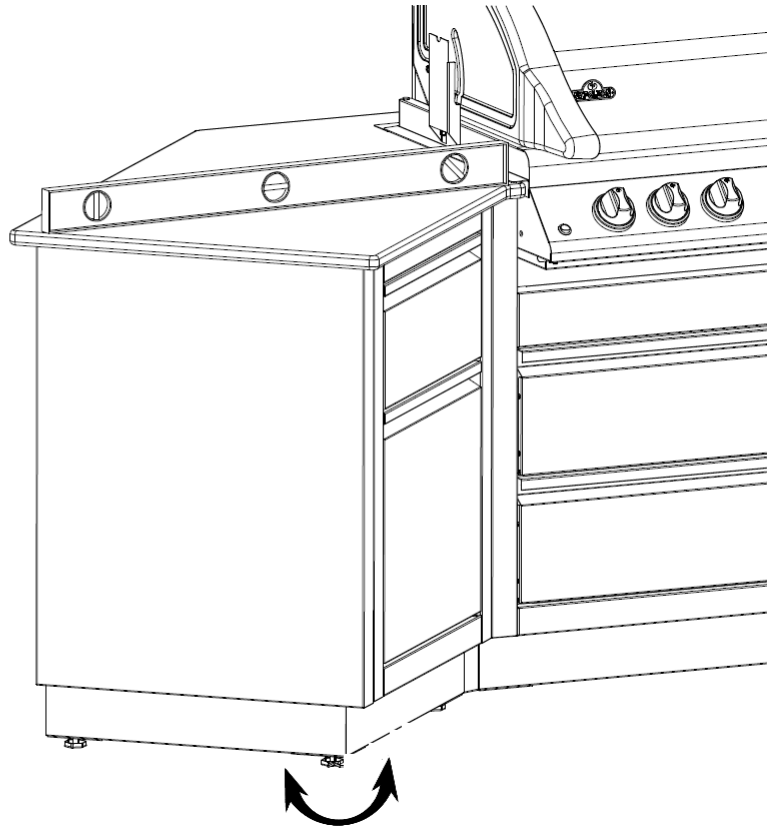
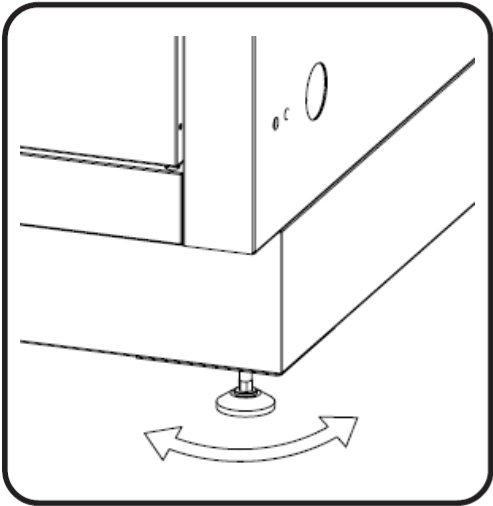
CUSTOM MADE COUNTERTOP

COUNTERTOP TO BE FASTENED AS PER MANUFACTURER'S INSTRUCTIONS. HOLES HAVE BEEN PLACED ON THE TOP FLANGE OF THE SIDE PANELS TO ALLOW FOR FASTENERS.



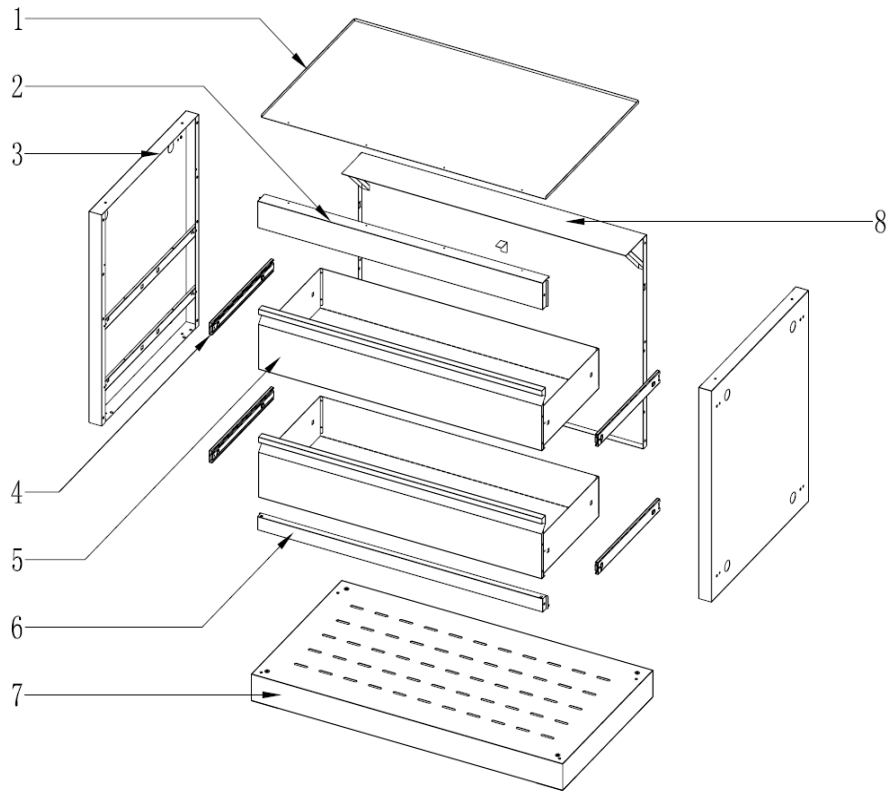
REFER TO BUILT-IN MANUAL THAT ACCOMPANIES THE GRILL FOR COMPLETE INSTRUCTIONS.
GAS PIPING MUST BE DONE BY A LICENSED GAS INSTALLER.

CABINET LEVELING PROCEDURE



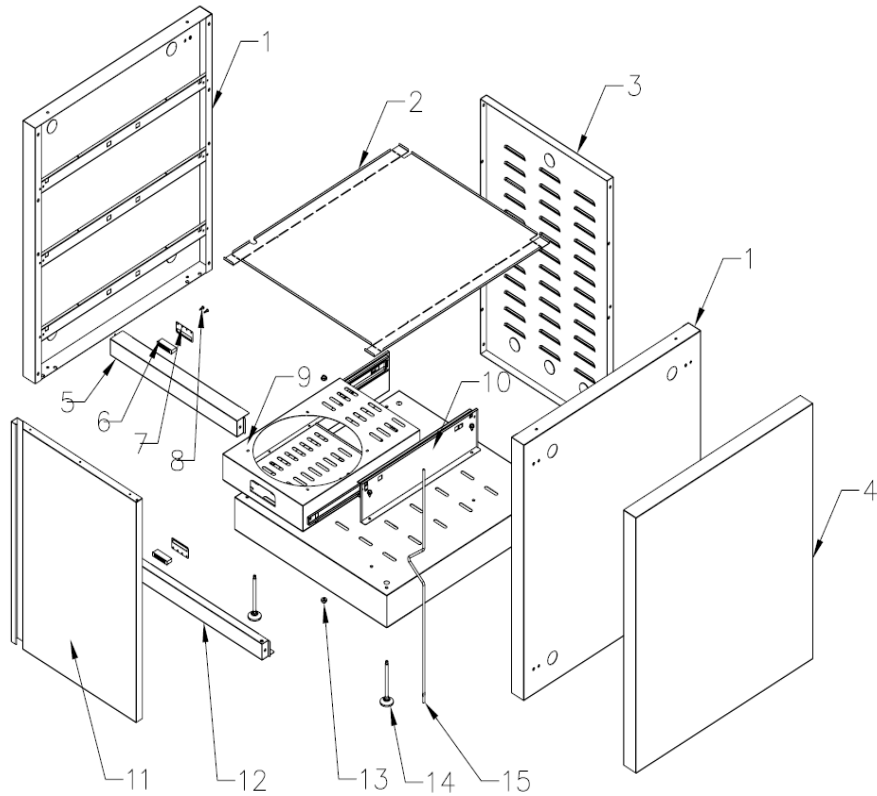
- To adjust the feet, use M6 Hex bit or screwdriver.

UGC-485/UGC-605/UGC-730



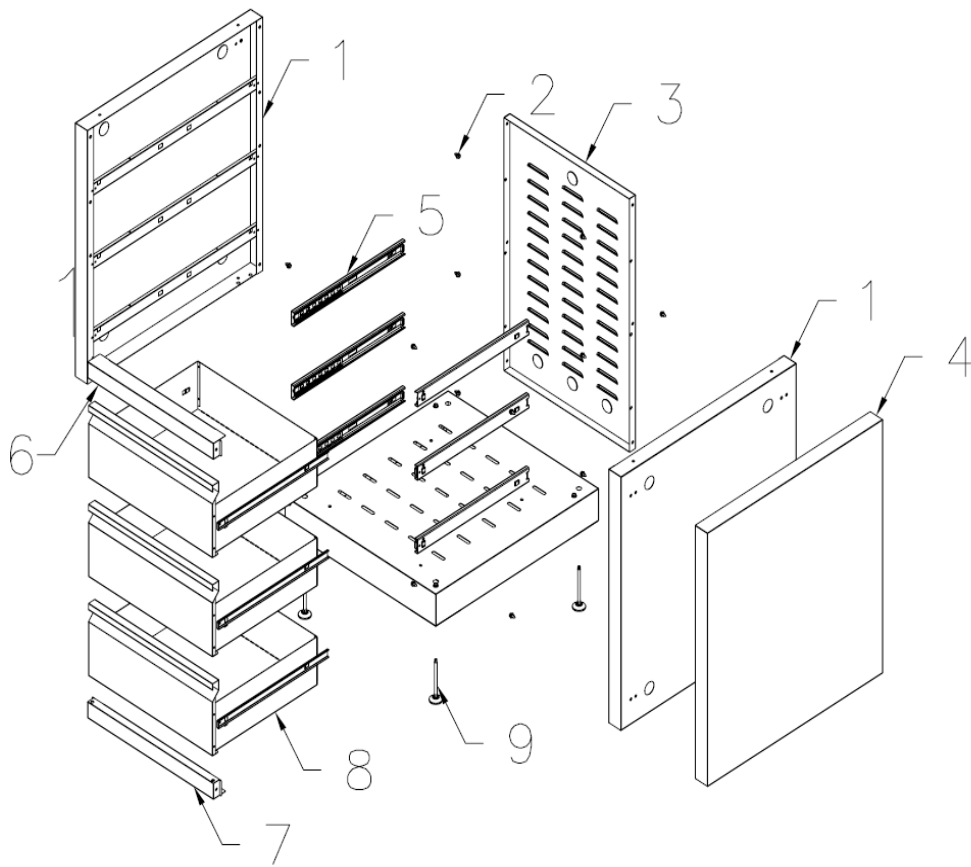
Part #	UGC485	UGC605	UGC730	Description
1	MC1-485	MC1-605	MC1-730	Drawer drip-shield
2	MC2-485	MC2-605	MC2-730	Top Rail
3	MC-300	MC-300	MC-300	Side Panel
4	UNI-400	UNI-400	UNI-400	Drawer Rail
5	MC5-485	MC5-605	MC5-730	Drawer
6	MC6-485	MC6-605	MC6-730	Bottom Rail
7	MC7-485	MC7-605	MC7-730	Bottom Shelf
8	MC8-485	MC8-605	MC8-730	Back Panel

SC-UNI/SC-SK/SC-PTK



Part #	Part Ref #	Description
1	UNI-300	Side Panel
2	UNI-200	Separation Panel
3	UNI-100	Back Panel
4	UNI-500	End Panel
5	UNI-600	Top Rail
6	UNI-601	Magnetic Catch
7	UNI-602	Door Magnet Bracket
8	P-100	Screw
9	UNI-700	Tank Drawer
10	UNI-800	Tank Drawer Support Bracket
11	UNI-900	Door
12	UNI-610	Bottom Rail
13	UNI-901	Door Bushing
14	UNI-910	Leveling Foot
15	UNI-911	Door Pivot Rod

SC-UNI/SC-DK



Part #	Part Ref #	Description
1	UNI-300	Side Panel
2	M10	Screw
3	UNI-100	Back Panel
4	UNI-500	End Panel
5	UNI-400	Drawer Rail
6	UNI-600	Top Rail
7	UNI-610	Bottom Rail
8	UNI-501	Drawer
9	UNI-910	Leveling Foot