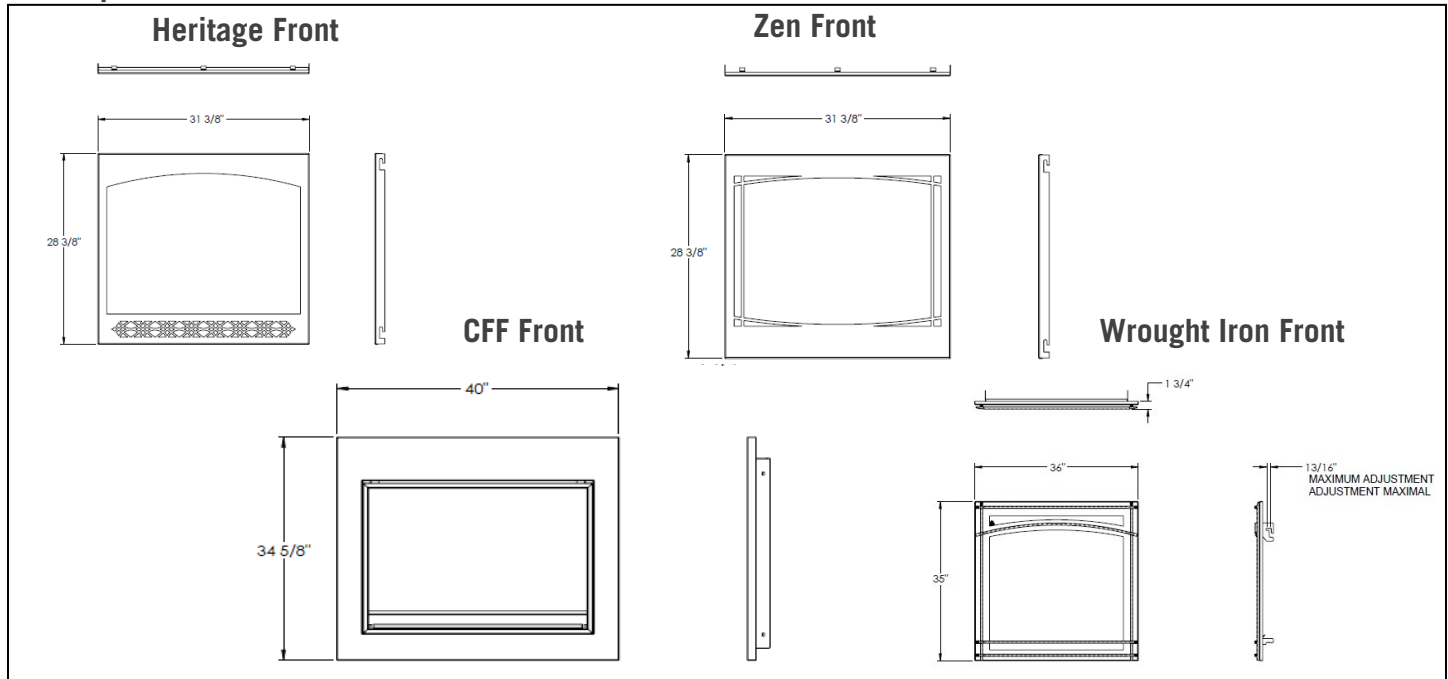


# ASCENT™ X 36 DIRECT VENT GAS FIREPLACE

## Specifications

Model	BTU	Width		Height		Depth		Glass
		Actual	Framing	Actual	Framing	Actual	Framing	
GX36	26,000	35	35 1/2	34 5/8	35	15 3/4	16	23 11/16 X 30 11/16

## Front Options



## Minimum Framing Clearances

**Minimum clearance to combustible construction from appliance and vent surfaces:**

**Combustible Framing:**

- 0" to stand-offs
- 1" (25mm) to bottom and sides of the vent pipe\*
- 3" (76mm) to top of the vent pipe\*

**Combustible Finishing:**

- 0" to rear stand offs
- 0" to front face top and sides

**Top Exit**

- 50 1/2" (1283mm) to combustible enclosure top from base of the appliance
- 54" (1372mm) to ceiling from base of the appliance

**Rear Exit**

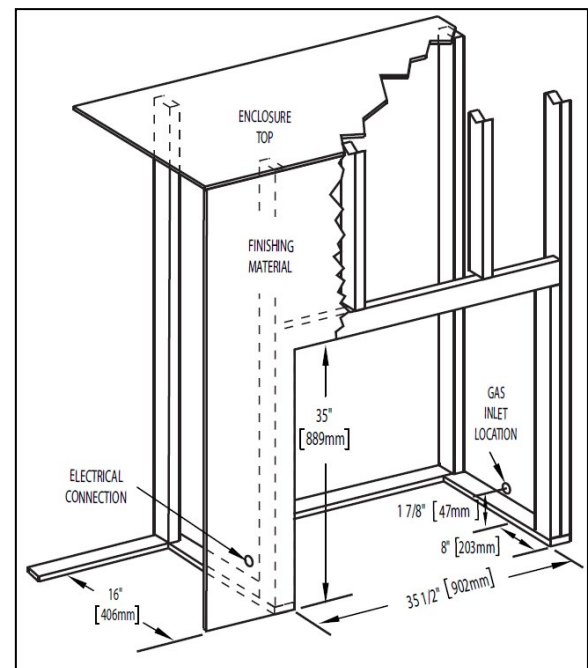
- 44" (1118mm) to combustile enclosure top from base of the appliance
- 54" (1372mm) to ceiling from base of the appliance

**\*GX36 HORIZONTAL VENT SECTIONS:** A minimum of 1" (25mm) at the bottom and sides and 3" (76mm) at the top of the vent pipe on all horizontal runs to combustibles is required. Use firestop spacer W010-3440 (supplied).

**NOTE:** The minimum clearances from the top of the horizontal vent pipe to combustible materials may be reduced from 3" (76mm) to 2" (51mm) in those installations with a minimum 38" (965mm) vertical vent rise made immediately off the fireplace collar.

**\*GX36 VERTICAL VENT SECTIONS:** A minimum of 1" (25mm) all around the vent pipe on all vertical runs to combustibles is required except for clearances in appliance enclosures. Vertical runs within the enclosure must maintain a 3" (76mm) clearance from combustibles. See "MINIMUM ENCLOSURE CLEARANCES" section. Use firestop spacer W500-0096 (not supplied).

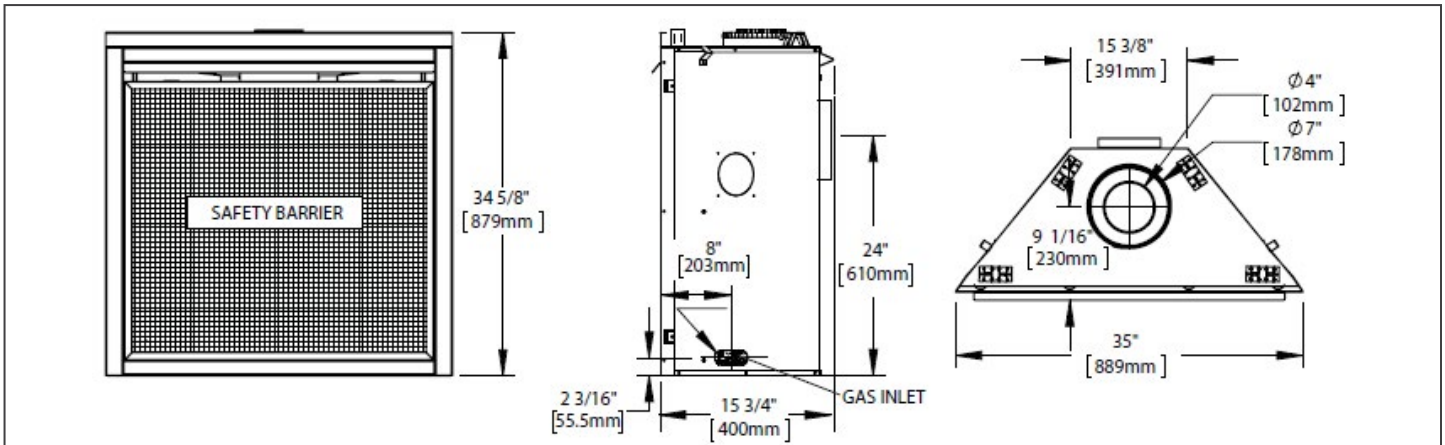
## Minimum Framing Clearances



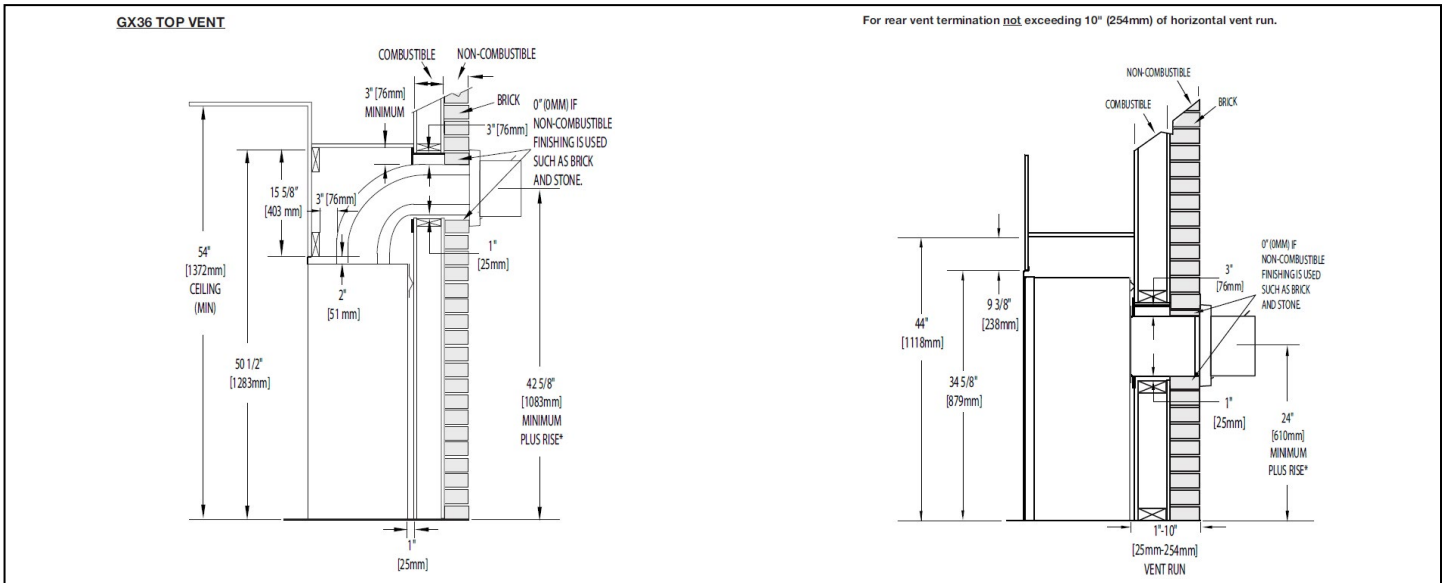
# ASCENT™ X 36 DIRECT VENT GAS FIREPLACE

Product information provided is not complete and is subject to change without notice. Please consult the installation manual for the most up to date installation information.

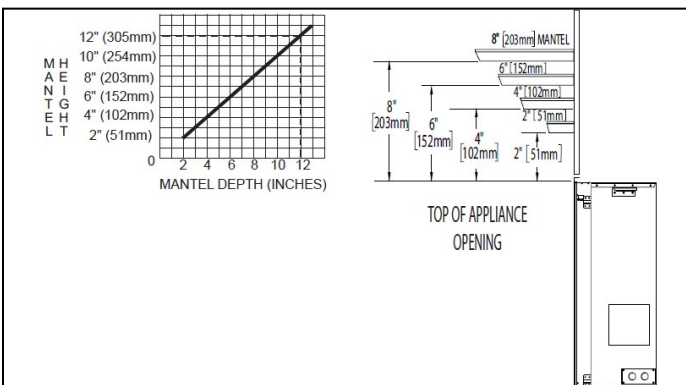
## Dimensions



## Wall Penetration



## Combustible Mantel Clearances



## Appliance Location

