

INSTALLER: LEAVE THIS MANUAL WITH THE APPLIANCE.
CONSUMER: RETAIN THIS MANUAL FOR FUTURE REFERENCE.



INSTALLATION AND OPERATING INSTRUCTIONS

CONFORMS TO THE STANDARD ANSI Z21.91 VENTLESS FIREBOX ENCLOSURES FOR UNVENTED ROOM HEATERS

ZCVF36

ZCVF42

ZERO CLEARANCE
VENTLESS FIREBOX
ENCLOSURE

CERTIFIED FOR THE UNITED STATES USING ANSI METHODS.

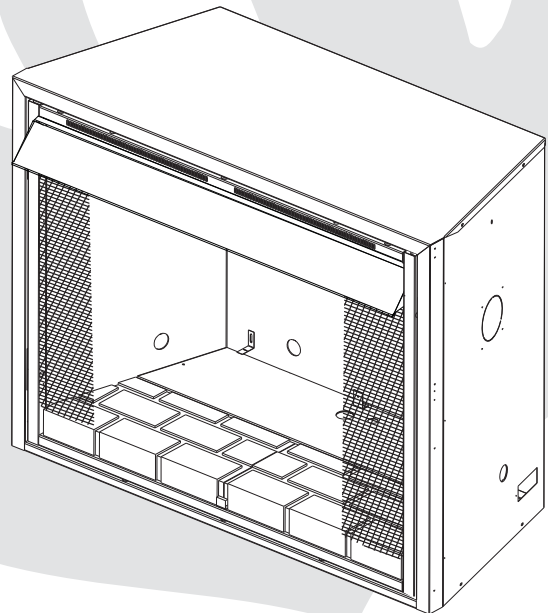
SAFETY INFORMATION

WARNING

If the information in these instructions are not followed exactly, a fire or explosion may result causing property damage, personal injury or loss of life.

- Do not store or use gasoline or other flammable vapors and liquids in the vicinity of this or any other appliance.
- **WHAT TO DO IF YOU SMELL GAS:**
 - Do not try to light any appliance.
 - Do not touch any electrical switch; do not use any phone in your building.
 - Immediately call your gas supplier from a neighbour's phone. Follow the gas supplier's instructions.
 - If you cannot reach your gas supplier, call the fire department.
- Installation and service must be performed by a qualified installer, service agency or the supplier.
- This is an unvented gas-fired heater that uses air (oxygen) from the room in which it is installed. Provisions for adequate combustion and ventilation air must be provided. Refer to section "COMBUSTION AND VENTILATION AIR PROVISIONS".

This appliance may be installed in an aftermarket, permanently located, manufactured (mobile) home, where not prohibited by local codes. This appliance is only for use with the type of gas indicated on the rating plate. This appliance is not convertible for use with other gases.



Wolf Steel Ltd., 24 Napoleon Rd., Barrie, ON, L4M 0G8 Canada /
103 Miller Drive, Crittenden, Kentucky, USA, 41030

Phone (705)721-1212 • Fax (705)722-6031 • www.napoleonfireplaces.com • ask@napoleonproducts.com

TABLE OF CONTENTS

1.0	INSTALLATION OVERVIEW	2
2.0	INTRODUCTION	3
2.1	DIMENSIONS	4
2.1.1	ZCVF36	4
2.1.2	ZCVF42	4
2.2	GAS INLET LOCATIONS	5
2.2.1	ZCVF36	5
2.2.2	ZCVF42	5
2.3	GENERAL INSTRUCTIONS	6
2.4	RATING PLATE INFORMATION	6
3.0	FRAMING	7
3.1	MINIMUM CLEARANCE TO COMBUSTIBLES	8
3.1.1	ZCVF36	8
3.1.2	ZCVF42	8
3.2	MINIMUM MANTEL CLEARANCES	9
3.3	NAILING TAB INSTALLATION	9
4.0	FINISHING	10
4.1	HOOD INSTALLATION	10
5.0	OPTIONAL BLOWER INSTALLATION	11
6.0	REPLACEMENTS	13
7.0	WARRANTY	14
8.0	SERVICE HISTORY	15

NOTE: Changes, other than editorial, are denoted by a vertical line in the margin

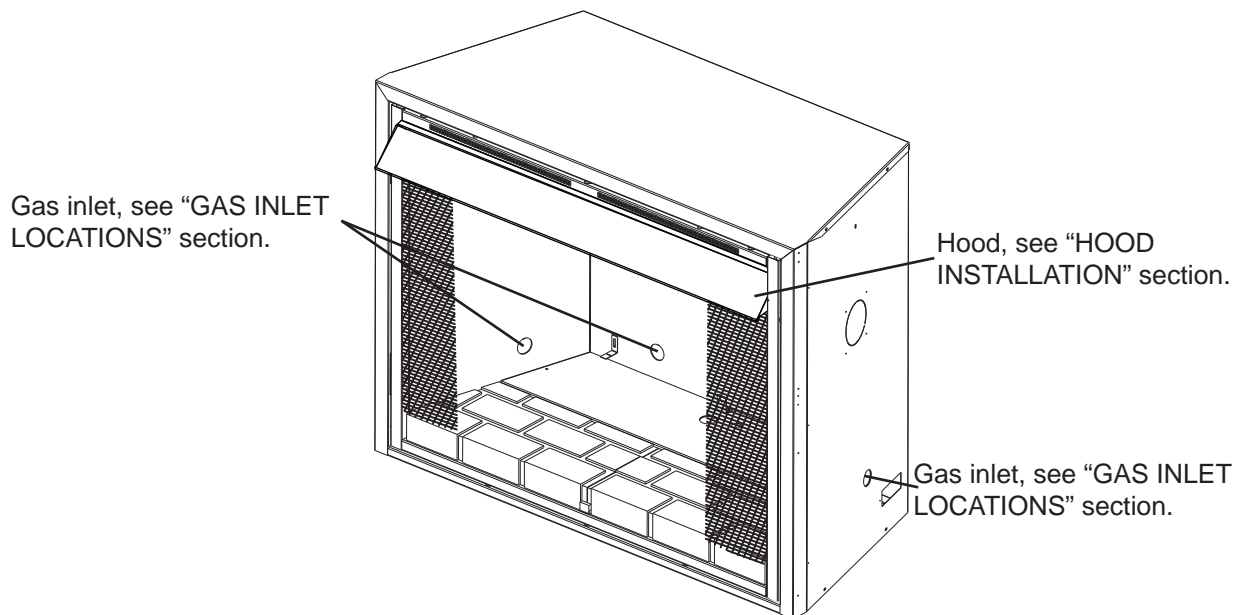
FOR USE ONLY WITH A ANSI Z21.11.2 LISTED GAS-FIRED UNVENTED ROOM HEATER NOT TO EXCEED 40,000 BTU/H

FOLLOW THE INSTRUCTIONS, AND COMPLETE THE INSTALLATION OF THE UNVENTED ROOM HEATER.

Carefully review the instructions supplied with the unvented room heater for the minimum firebox size requirement.

DO NOT INSTALL AN APPLIANCE IN THIS FIREBOX UNLESS THIS FIREBOX MEETS THE MINIMUM DIMENSIONS REQUIRED FOR THE INSTALLATION.

1.0 INSTALLATION OVERVIEW



2.0 INTRODUCTION

WARNING

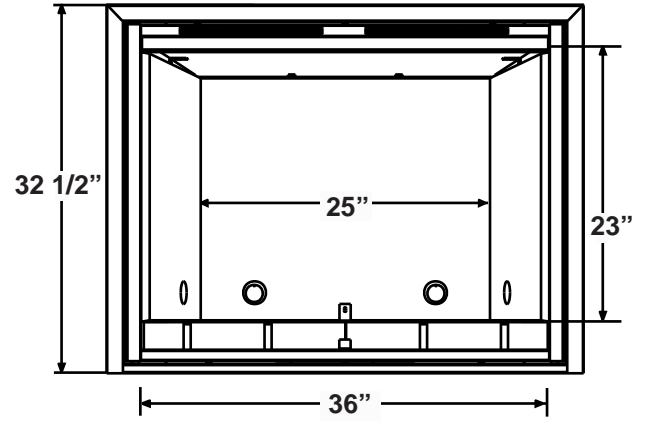
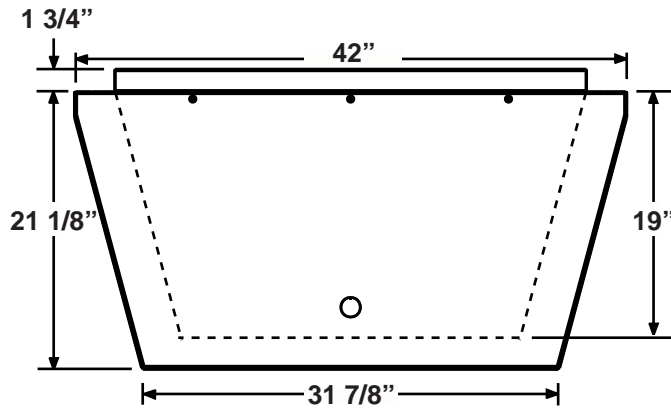
- **THIS APPLIANCE IS HOT WHEN OPERATED AND CAN CAUSE SEVERE BURNS IF CONTACTED.**
- **ANY CHANGES TO THIS APPLIANCE OR ITS CONTROLS CAN BE DANGEROUS AND IS PROHIBITED.**
- Under no circumstances should this appliance be modified.
- Do not operate appliance before reading and understanding operating instructions. Failure to operate appliance according to operating instructions could cause fire or injury.
- Risk of burns. The appliance should be turned off and cooled before servicing.
- Do not install damaged, incomplete or substitute components.
- Risk of cuts and abrasions. Wear protective gloves and safety glasses during installation. Sheet metal edges may be sharp.
- Provide adequate ventilation and combustion air. Provide adequate accessibility clearance for servicing and operating the appliance. Never obstruct the front opening of the appliance.
- If the appliance shuts off, do not re-light until you provide fresh air. If appliance keeps shutting off, have it serviced. Keep burner and control compartment clean.
- Do not burn wood or other materials in this appliance.
- Children and adults should be alerted to the hazards of high surface temperature and should stay away to avoid burns or clothing ignition.
- Young children should be carefully supervised when they are in the same room as the appliance. Toddlers, young children and others may be susceptible to accidental contact burns. A physical barrier is recommended if there are at risk individuals in the house. To restrict access to an appliance, install an adjustable safety gate to keep toddlers, young children and other at risk individuals out of the room and away from hot surfaces.
- Due to high temperatures, the appliance should be located out of traffic and away from furniture and draperies.
- Ensure you have incorporated adequate safety measures to protect infants/toddlers from touching hot surfaces.
- Clothing or other flammable material should not be placed on or near the appliance.
- Check with your local hearth specialty dealer for safety screens and hearth guards to protect children from hot surfaces. These screens and guards must be fastened to the floor.
- Any safety screen or guard removed for servicing must be replaced prior to operating the appliance.
- It is imperative that the control compartments, burners and circulating blower and its passageway in the appliance are kept clean. The appliance should be inspected before use and at least annually by a qualified service person. More frequent cleaning may be required due to excessive lint from carpeting, bedding material, etc. The appliance area must be kept clear and free from combustible materials, gasoline and other flammable vapours and liquids.
- Furniture or other objects must be kept a minimum of 4 feet away from the front of the appliance.
- Do not use this appliance if any part has been under water. Immediately call a qualified service technician to inspect the appliance and to replace any part of the control system and any gas control which has been under water.
- Do not allow fans to blow directly into the appliance. Avoid any drafts that alter burner flame patterns.
- Do not use a blower insert, heat exchanger insert or other accessory not approved for use with this appliance.
- Carbon or soot should not occur in a vent free appliance as it can distribute into the living area of your home. If you notice any signs of carbon or soot, immediately turn off your appliance and arrange to have it serviced by a qualified technician before operating it again.
- Keep the packaging material out of reach of children and dispose of the material in a safe manner. As with all plastic bags, these are not toys and should be kept away from children and infants.
- As with any combustion appliance, we recommend having your appliance regularly inspected and serviced as well as having a Carbon Monoxide Detector installed in the same area to defend you and your family against Carbon Monoxide.
- If equipped, the screen must be in place (closed) when the appliance is in operation.
- Ensure clearances to combustibles are maintained when building a mantel or shelves above the appliance. Elevated temperatures on the wall or in the air above the appliance can cause melting, discolouration or damage to decorations, a T.V. or other electronic components.

3.4B

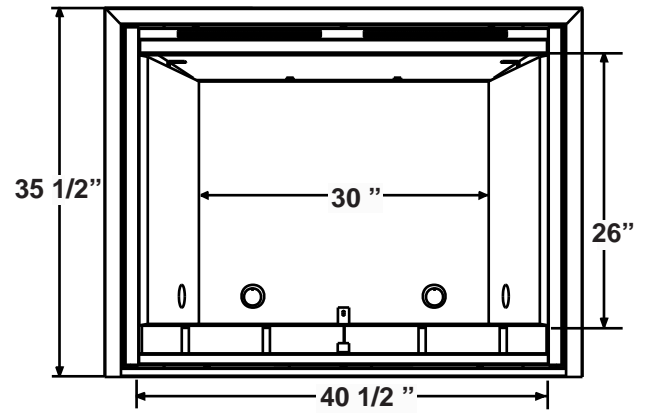
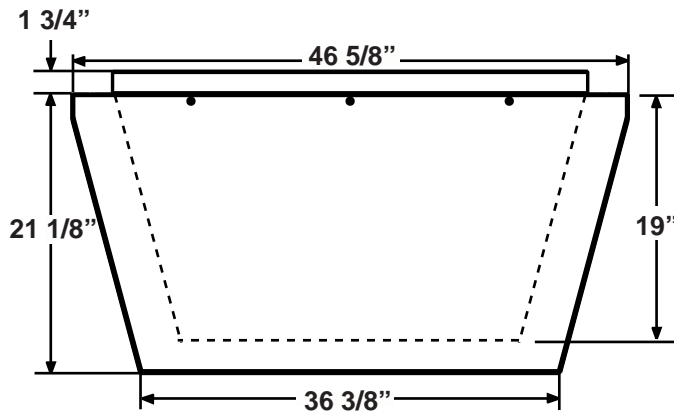
4

2.1 DIMENSIONS

2.1.1 ZCVF36



2.1.2 ZCVF42

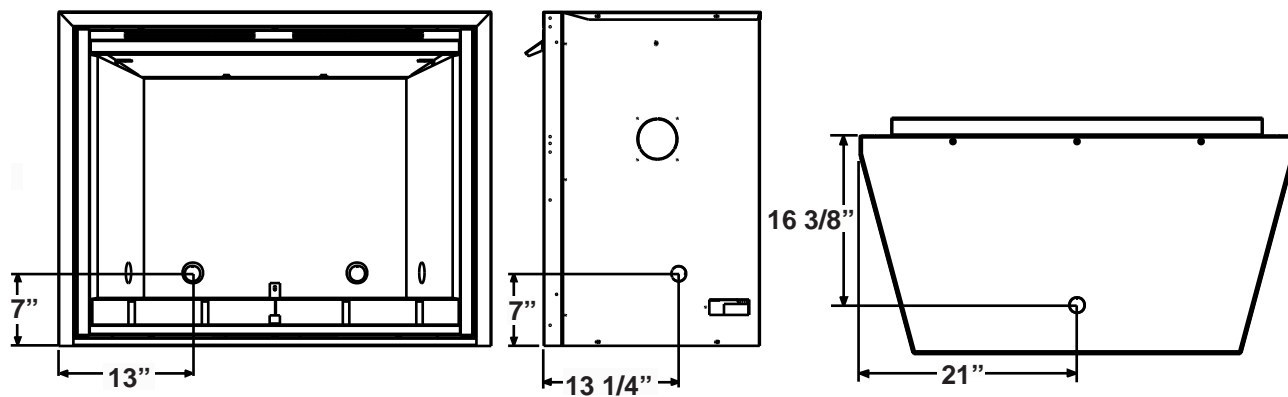


NOTE: Dashed lines represent the shape of the firebox walls and back

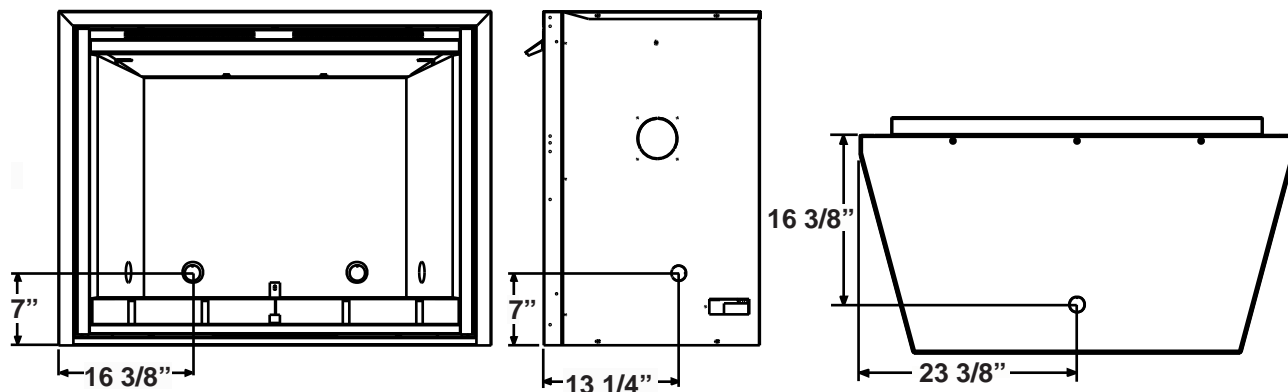
2.2 GAS INLET LOCATIONS

There are five gas inlet locations on the ventless firebox enclosure. One on each side of the unit, two at the rear, and one on the bottom. Using the following illustrations identify the preferred inlet and remove corresponding knock out.

2.2.1 ZCVF36



2.2.2 ZCVF42



2.3 GENERAL INSTRUCTIONS


THE INSTALLATION MUST CONFORM WITH LOCAL CODES OR, IN THE ABSENCE OF LOCAL CODES WITH THE NATIONAL FUEL GAS CODE, ANSI Z223.1 / NFPA 54 AND TO THE NATIONAL ELECTRICAL CODE, ANSI / NFPA 70.

Use only accessories designed for and listed with your specific firebox.

Not designed for use with a glass door. Screen must be closed when appliance is in operation.

2.4 RATING PLATE INFORMATION

CERTIFIED UNDER: ANSI Z21.91-2007 VENTLESS FIREBOX ENCLOSURES FOR GAS-FIRED UNVENTED DECORATIVE ROOM HEATERS



Intertek
US

- 9700539 (WSL)
- 4001657 (NGZ)
- 4001658 (NAC)
- 4001659 (WUSA)

WARNING: FOR USE WITH LISTED ANSI Z21.11.2 UNVENTED GAS-FIRED ROOM HEATERS NOT TO EXCEED 40,000 BTU/HR. IMPROPER INSTALLATION, ADJUSTMENT, ALTERATION, SERVICE OR MAINTENANCE CAN CAUSE INJURY OR PROPERTY DAMAGE. REFER TO THE OWNER'S INFORMATION MANUAL PROVIDED WITH THIS APPLIANCE. FOR ASSISTANCE OR ADDITIONAL INFORMATION, CONSULT A QUALIFIED INSTALLER, SERVICE AGENCY OR THE GAS SUPPLIER.

■ ZCVF36 ■ ZCVF42

WARNING: DO NOT ADD ANY MATERIAL TO THE APPLIANCE, WHICH WILL COME IN CONTACT WITH THE FLAMES, OTHER THAN THAT SUPPLIED BY THE MANUFACTURER WITH THE APPLIANCE. FOR INSTALLATION IN A SOLID-FUEL BURNING FIREPLACE OR VENTLESS FIREBOX ENCLOSURES FOR GAS FIRED UNVENTED DECORATIVE ROOM HEATERS.

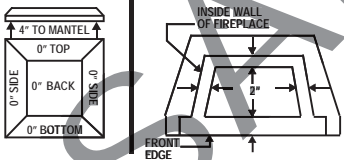
FOR YOUR SAFETY: DO NOT STORE OR USE GASOLINE OR OTHER FLAMMABLE VAPOURS AND LIQUIDS IN THE VICINITY OF THIS OR ANY OTHER APPLIANCE.

ELECTRICAL RATING: 115V 0.82AMP, 60HZ
OPTIONAL FAN KIT: GZ550-KT

MINIMUM CLEARANCE TO COMBUSTIBLES

TOP	0
SIDES	0
BACK	0
MANTEL	4"

CLEARANCES FOR GAS LOG INSTALLATIONS



WOLF STEEL LTD.
24 NAPOLEON ROAD, BARRIE, ONTARIO L4M 0G8 CANADA

SERIAL NUMBER: ZCVF [REDACTED]

W385-0318 / E

For rating plate location, see "INSTALLATION OVERVIEW" section.

This illustration is for reference only. Refer to the rating plate on the appliance for accurate information.

3.0 FRAMING

! WARNING

RISK OF FIRE!

IN ORDER TO AVOID THE POSSIBILITY OF EXPOSED INSULATION OR VAPOUR BARRIER COMING IN CONTACT WITH THE APPLIANCE BODY, IT IS RECOMMENDED THAT THE WALLS OF THE APPLIANCE ENCLOSURE BE "FINISHED" (IE: DRYWALL / SHEETROCK), AS YOU WOULD FINISH ANY OTHER OUTSIDE WALL OF A HOME. THIS WILL ENSURE THAT CLEARANCE TO COMBUSTIBLES IS MAINTAINED WITHIN THE CAVITY.

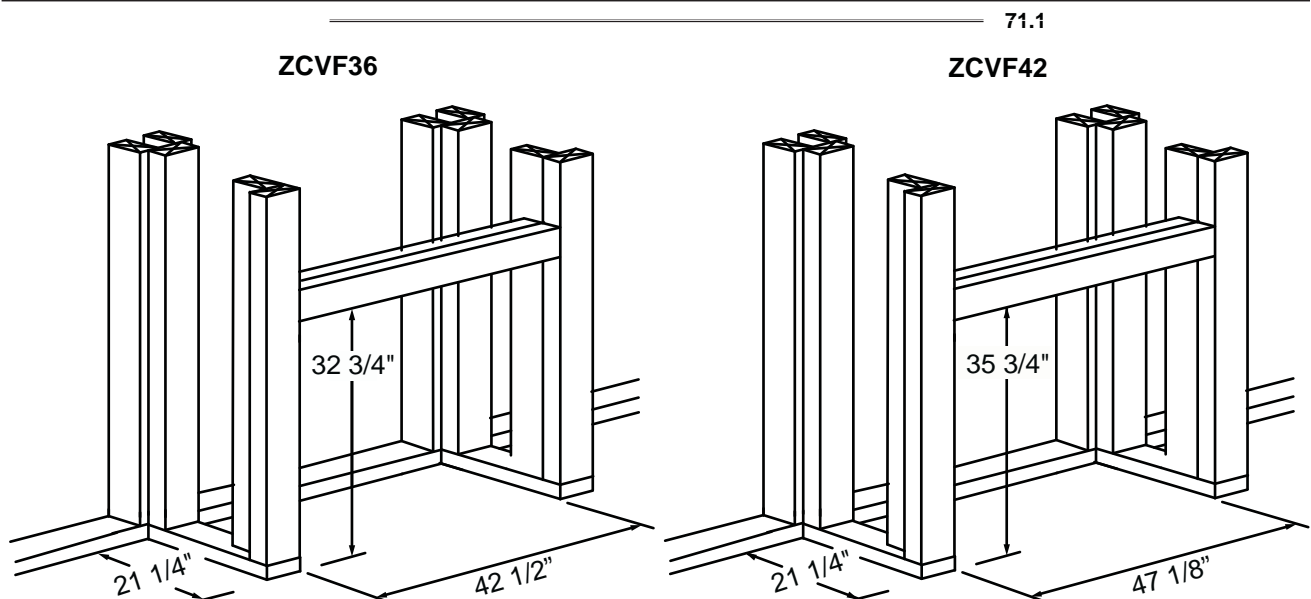
DO NOT NOTCH THE FRAMING AROUND THE APPLIANCE STAND-OFFS. FAILURE TO MAINTAIN AIR SPACE CLEARANCE MAY CAUSE OVER HEATING AND FIRE. PREVENT CONTACT WITH SAGGING OR LOOSE INSULATION OR FRAMING AND OTHER COMBUSTIBLE MATERIALS. BLOCK OPENING INTO THE CHASE TO PREVENT ENTRY OF BLOWN-IN INSULATION. MAKE SURE INSULATION AND OTHER MATERIALS ARE SECURED.

WHEN CONSTRUCTING THE ENCLOSURE ALLOW FOR FINISHING MATERIAL THICKNESS TO MAINTAIN CLEARANCES. FRAMING OR FINISHING MATERIAL CLOSER THAN THE MINIMUMS LISTED MUST BE CONSTRUCTED ENTIRELY OF NON-COMBUSTIBLE MATERIALS. MATERIALS CONSISTING ENTIRELY OF STEEL, IRON, BRICK, TILE, CONCRETE, SLATE, GLASS OR PLASTERS, OR ANY COMBINATION THEREOF ARE SUITABLE. MATERIALS THAT ARE REPORTED AS PASSING ASTM E 136, STANDARD TEST METHOD FOR BEHAVIOUR OF MATERIALS IN A VERTICAL TUBE FURNACE AT 750°C AND UL763 SHALL BE CONSIDERED NON-COMBUSTIBLE MATERIALS.

MINIMUM CLEARANCE TO COMBUSTIBLES MUST BE MAINTAINED OR A SERIOUS FIRE HAZARD COULD RESULT.

THE APPLIANCE REQUIRES A MINIMUM ENCLOSURE HEIGHT. MEASURE FROM THE APPLIANCE BASE.

IF STEEL STUD FRAMING KITS WITH CEMENT BOARD ARE PROVIDED, THEY MUST BE INSTALLED.



3.1 MINIMUM CLEARANCE TO COMBUSTIBLES

Note: In order to avoid the possibility of exposed insulation or vapour barrier coming in contact with the ventless firebox enclosure body, it is recommended that the walls of the ventless firebox enclosure be “finished” (ie: drywall/sheetrock), as you would finish any other outside wall of a home. This will ensure that clearance to combustibles is maintained within the cavity.

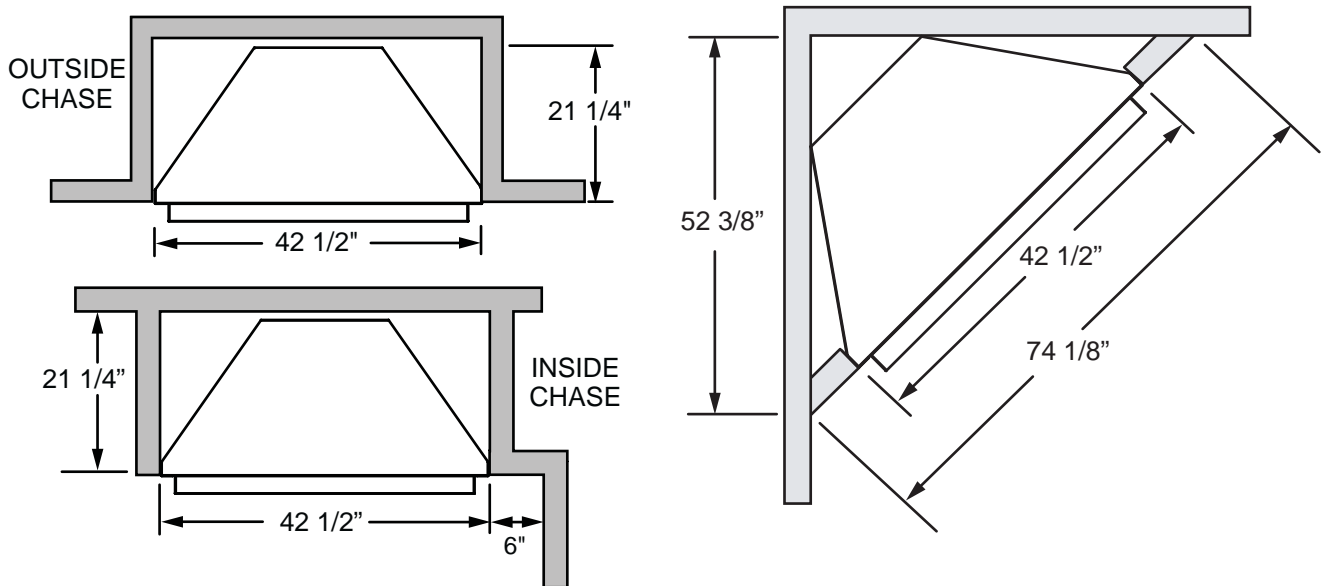
When roughing in the ventless firebox enclosure, raise the ventless firebox enclosure to accommodate for the thickness of the finished floor materials, i.e. tile, carpeting, hard wood.

Objects placed in front of the ventless firebox enclosure should be kept a minimum of 4 feet away from the front face.

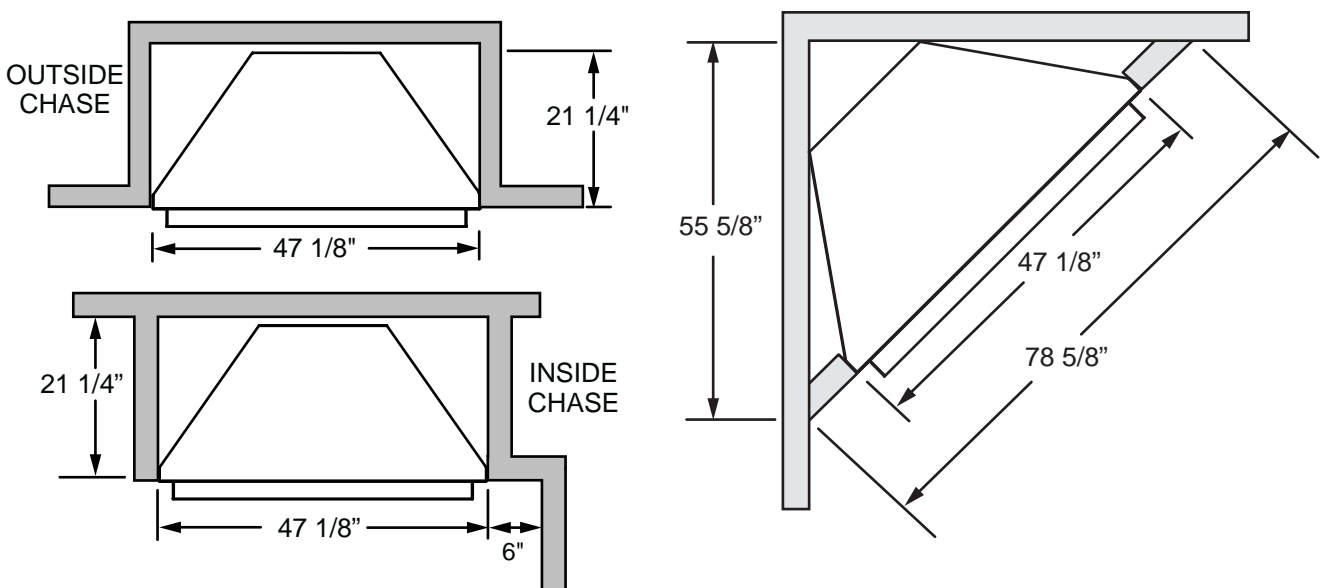
Minimum clearance to combustible construction from appliance:

sides, back, bottom and top of the unit	0 inch
recessed depth	21 1/4 inches

3.1.1 ZCVF36



3.1.2 ZCVF42



3.2 MINIMUM MANTEL CLEARANCES

! WARNING

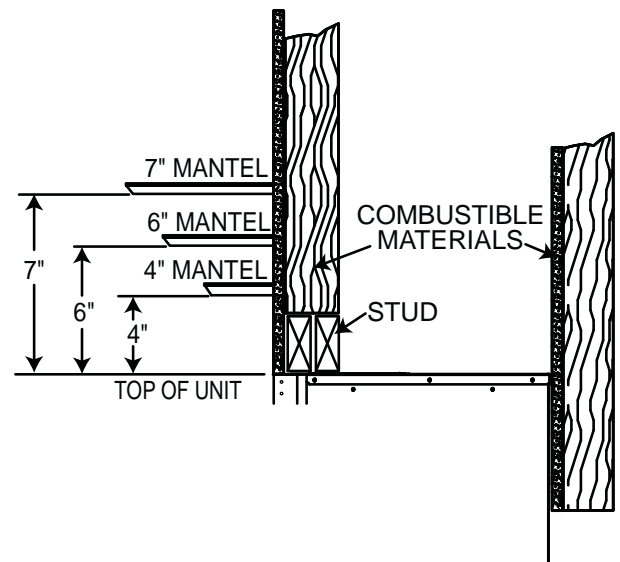
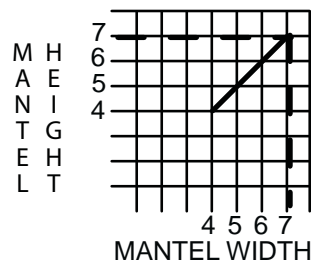
RISK OF FIRE, MAINTAIN ALL SPECIFIED AIR SPACE CLEARANCES TO COMBUSTIBLES. FAILURE TO COMPLY WITH THESE INSTRUCTIONS MAY CAUSE A FIRE OR CAUSE THE APPLIANCE TO OVERHEAT. ENSURE ALL CLEARANCES (I.E. BACK, SIDE, TOP, VENT, MANTEL, FRONT, ETC.) ARE CLEARLY MAINTAINED.

WHEN USING PAINT OR LACQUER TO FINISH THE MANTEL, THE PAINT OR LACQUER MUST BE HEAT RESISTANT TO PREVENT DISCOLOURATION.

73.1

Combustible materials may be installed flush with the front of the ventless firebox enclosure but must not cover any of the black face-areas of the ventless firebox enclosure. Non-combustible material (brick, stone or ceramic tile) may protrude in these areas.

Combustible mantel clearance can vary according to the mantel depth. Use the graph to help evaluate the clearance needed.



3.3 NAILING TAB INSTALLATION

- A.** Attach the nailing tabs to the corner posts using the 2 sheet metal screws supplied. Secure through the centre of the top and bottom slots in the nailing tab and then through the existing holes in the corner posts. If there are no existing holes, follow these instructions:
- B.** To determine the final location of the nailing tab you must first determine the thickness of your finishing material (i.e. drywall). This will determine the dimension from the front edge of the corner post to the nailing tab. Once the nailing tab is in the desired location, drill through the centre hole of the nailing tab. Secure with a sheet metal screw*.

* Additional set screws may be installed.



55.1A

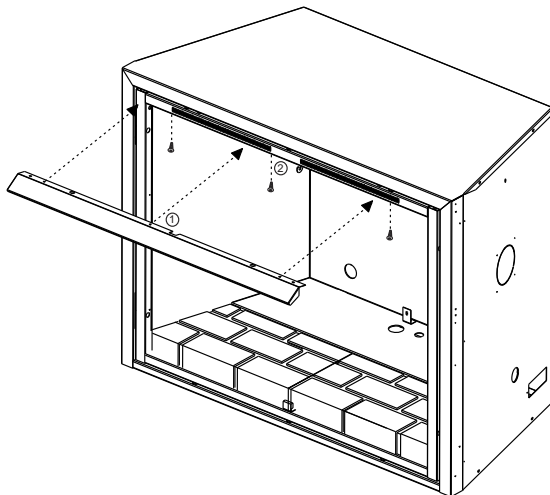
4.0 FINISHING

! WARNING
RISK OF FIRE!
NEVER OBSTRUCT THE FRONT OPENING OF THE APPLIANCE.
THE FRONT OF THE APPLIANCE MUST BE FINISHED WITH ANY NON-COMBUSTIBLE MATERIALS SUCH AS BRICK, MARBLE, GRANITE, ETC., PROVIDED THAT THESE MATERIALS DO NOT GO BELOW THE SPECIFIED DIMENSION AS ILLUSTRATED. AS AN ALTERNATIVE, YOU CAN FINISH THE APPLIANCE WITH DRYWALL, SEE ILLUSTRATIONS TO FOLLOW.
FACING AND/OR FINISHING MATERIAL MUST NEVER OVERHANG INTO THE APPLIANCE OPENING.

72.2

4.1 HOOD INSTALLATION

! WARNING
APPLIANCE SCREENS MUST BE CLOSED WHILE THE APPLIANCE IS IN OPERATION.
THE APPLIANCE MUST NOT BE USED WHEN THE HOOD IS REMOVED.
THE HOOD MUST NOT BE MODIFIED OR REPLACED WITH A HOOD THAT MAY BE PROVIDED WITH THE UNVENTED DECORATIVE ROOM HEATER.



Note: Remove the hood from the back side of the carton by cutting the cable ties holding it in place.

- A. Slide the edge of the hood into place on the top inside surface of the ventless firebox enclosure to align with the three pre-drilled holes.
- B. Screw the hood securely into place with the three screws provided.

5.0 OPTIONAL BLOWER INSTALLATION

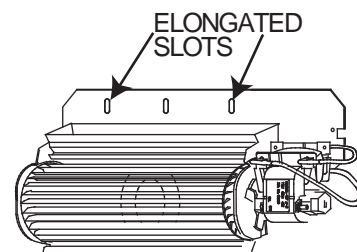
! WARNING
RISK OF FIRE AND ELECTRICAL SHOCK.
TURN OFF THE GAS AND ELECTRICAL POWER BEFORE SERVICING THIS APPLIANCE.
USE ONLY WOLF STEEL APPROVED OPTIONAL ACCESSORIES AND REPLACEMENT PARTS WITH THIS APPLIANCE. USING NON-LISTED ACCESSORIES (BLOWERS, DOORS, LOUVRES, TRIMS, GAS COMPONENTS, VENTING COMPONENTS, ETC.) COULD RESULT IN A SAFETY HAZARD AND WILL VOID THE WARRANTY AND CERTIFICATION.
ENSURE THAT THE FAN'S POWER CORD IS NOT IN CONTACT WITH ANY SURFACE OF THE APPLIANCE TO PREVENT ELECTRICAL SHOCK OR FIRE DAMAGE. DO NOT RUN THE POWER CORD BENEATH THE APPLIANCE.
THE WIRE HARNESS PROVIDED IN THE BLOWER KIT IS A UNIVERSAL HARNESS. WHEN INSTALLED, ENSURE THAT ANY EXCESS WIRE IS CONTAINED, PREVENTING IT FROM MAKING CONTACT WITH MOVING OR HOT OBJECTS.

51.5

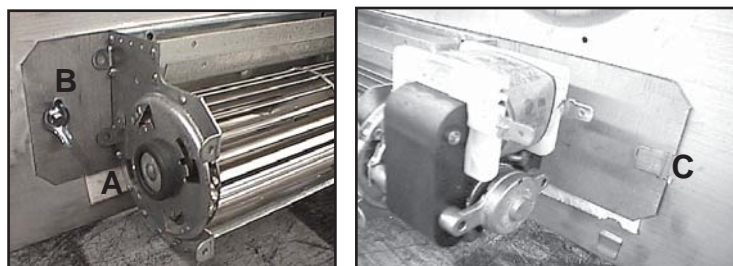
INSTALLATION TO BE DONE BY A QUALIFIED INSTALLER and must be electrically connected and grounded in accordance with local codes. In the absence of local codes, use the current ANSI/NFPA 70 National Electrical Code.

If the firebox was not previously equipped with a blower: route a grounded 2-wire, 60hz power cable through the junction plate cover. At this point it must be strain relieved and insulated.

The three slots on the blower mounting bracket allow ease of adjustment when attaching the blower. For a quiet running blower, do not allow the assembly to sit on the firebox base. Slide the vibration reducing pad (A) into the clip (C) and up against the threaded stud (B) at the other end. The blower must be able to be positioned entirely onto the pad.



Tilt the blower onto its side. Slide it past the controls and into the clip (C). Secure to the threaded stud using the lock washer and wing nut provided. Ensure that the blower does not touch the firebox base or the firebox. Attach the connectors from the black and red wires to the blower.



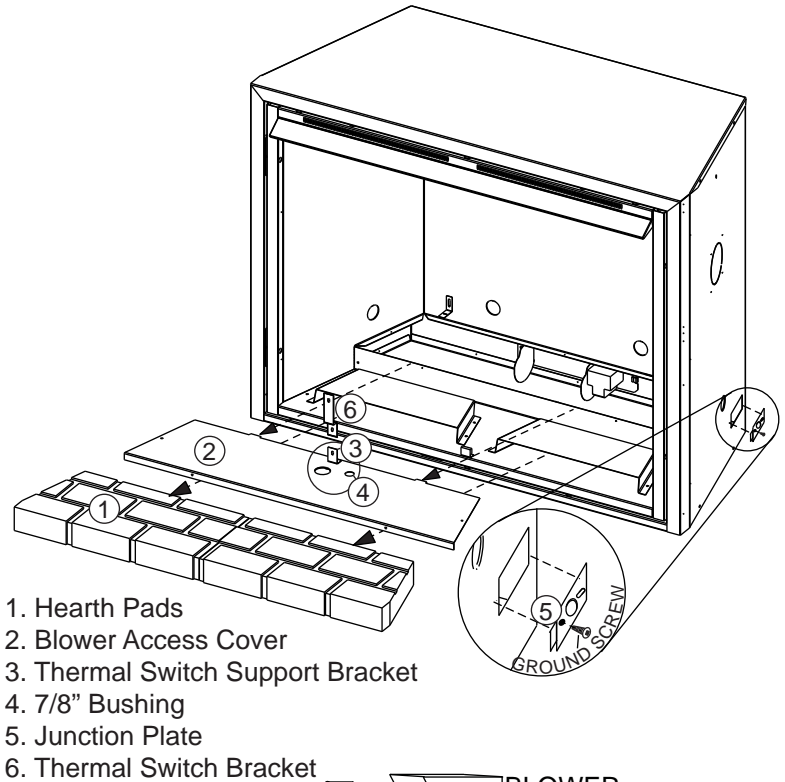
The wire harness provided in this kit is a universal harness. When installed, ensure that any excess wire is contained, preventing it from making contact with moving or hot objects. Because the blower is thermally activated, when turned on, it will automatically start approximately 30 minutes after lighting the vent free room heater and will run for approximately 30-45 after the vent free room heater has been turned off. Use of the fan increases the output of heat.

Drywall dust will penetrate into the blower bearings causing irreparable damage. Care must be taken to prevent drywall dust from coming into contact with the blower or its compartment. Any damage resulting from this condition is not covered by the warranty policy.

*** Note: In either application it is necessary to remove the variable speed switch from the wiring harness and install into an electrical switch box as per electrical codes.**

WITH THERMAL SWITCH BRACKET

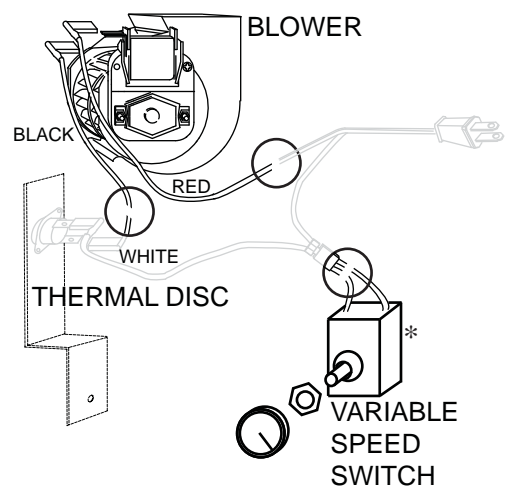
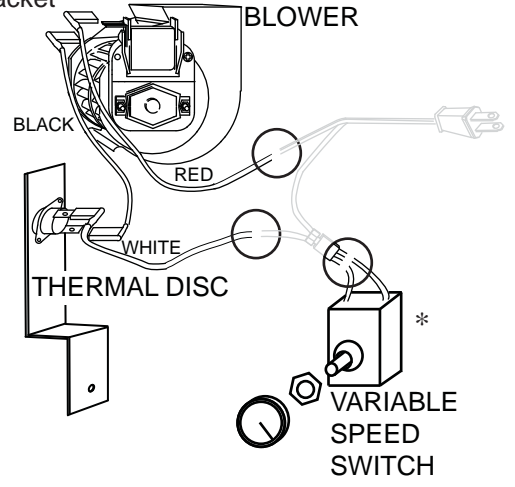
- A. Remove the hearth pads and the blower access cover.
- B. Install the blower using the optional blower installation instructions.
- C. Pull the black and white thermal disc wires through the 7/8" bushing in the blower access cover.
- D. Cut the white wire as close to the connector as possible.
- E. Cut the red wire as close to the plug as possible.
- F. Using a box connector, connect supply wire through the junction cover plate located on the right side of the firebox enclosure.
- G. Connect the red and white wires to the power supply. Attach the ground to the ground screw on the junction plate cover.
- H. Replace the blower access cover.
- I. Attach the black & white wires to the back of the thermal switch and install at the rear of the firebox using the thermal switch support bracket as illustrated.
- J. Replace the hearth pads.



- 1. Hearth Pads
- 2. Blower Access Cover
- 3. Thermal Switch Support Bracket
- 4. 7/8" Bushing
- 5. Junction Plate
- 6. Thermal Switch Bracket

WITHOUT THERMAL SWITCH BRACKET

- A. Remove the hearth pads and blower access cover.
- B. Install the blower using the optional blower installation instructions.
- C. Cut the red wire as close to the plug as possible.
- D. Cut the black wire as close to the flag connection as possible.
- E. Using a box connector, connect supply wire through the junction cover plate located on the right side of the firebox enclosure.
- F. Attach the ground to the ground screw on the junction plate cover.
- G. Replace the blower access cover plate and hearth pads.



6.0 REPLACEMENTS

Contact your dealer or the factory for questions concerning prices and policies on replacement parts. Normally all parts can be ordered through your Authorized dealer / distributor.

FOR WARRANTY REPLACEMENT PARTS, A PHOTOCOPY OF THE ORIGINAL INVOICE WILL BE REQUIRED TO HONOUR THE CLAIM.

When ordering replacement parts always give the following information:

- Model & Serial Number of appliance
- Installation date of appliance
- Part number
- Description of part
- Finish

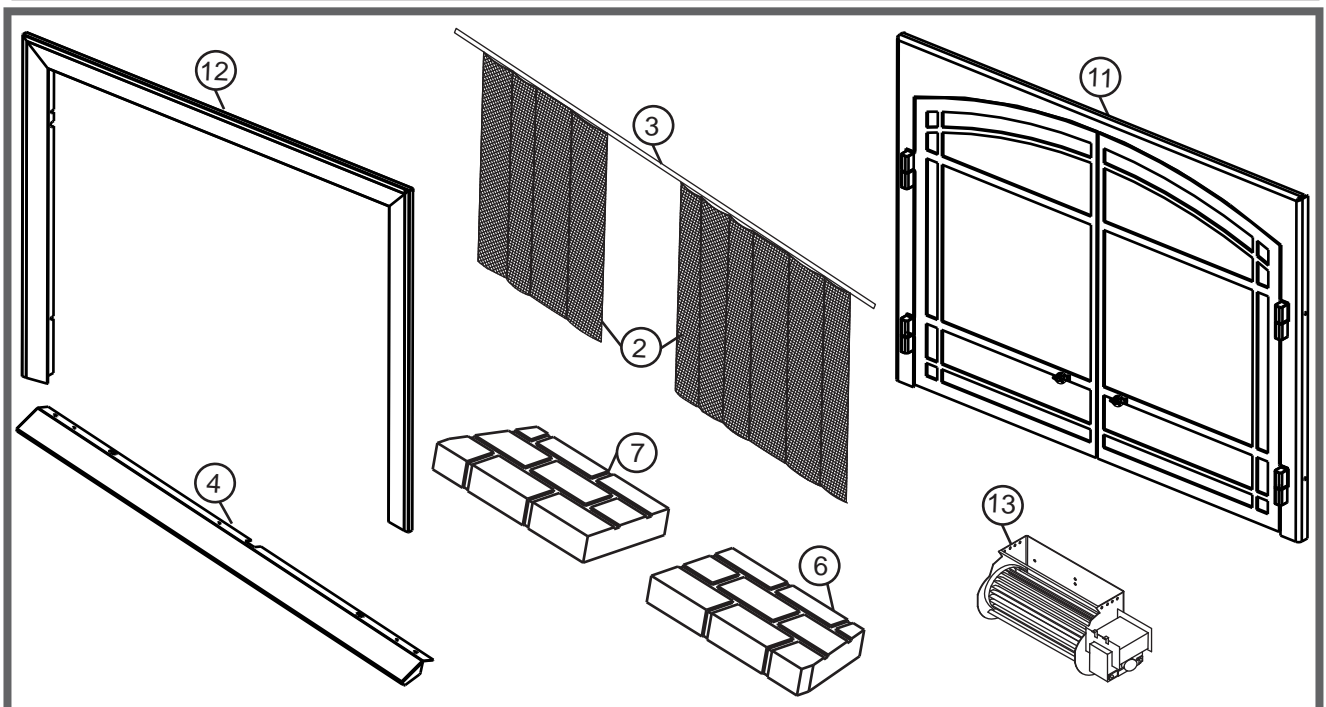
*** IDENTIFIES ITEMS WHICH ARE NOT ILLUSTRATED. FOR FURTHER INFORMATION, CONTACT YOUR AUTHORIZED DEALER.**

! WARNING

FAILURE TO POSITION THE PARTS IN ACCORDANCE WITH THIS MANUAL OR FAILURE TO USE ONLY PARTS SPECIFICALLY APPROVED WITH THIS APPLIANCE MAY RESULT IN PROPERTY DAMAGE OR PERSONAL INJURY.

41.1

COMPONENTS			
REF	ZCVF36	ZCVF42	DESCRIPTION
1*	W385-0334	W385-0334	NAPOLEON LOGO
2	W565-0084	W565-0085	CURTAIN MESH
3	W565-0056	W565-0057	CURTAIN ROD
4	W335-0044	W335-0045	HOOD
5*	W500-0192	W500-0192	PANEL BRACKETS
6	W475-0400	W475-0399	HEARTH PAD (RIGHT)
7	W475-0386	W475-0382	HEARTH PAD (LEFT)
ACCESSORIES			
REF	ZCVF36	ZCVF42	DESCRIPTION
8*	111KT	111KT	OUTSIDE AIR KIT
9*	112KT	112KT	ADAPTOR PLATE, OUTSIDE AIR KIT
10*	GD810-KT	GD809-KT	BRICK PANELS (COBBLESTONE)
11	DKZC36SS	DKZC42SS	DECORATIVE DOOR
12	TBZC36K	TBZC42K	3" BEVELLED TRIM (BLACK)
12	TBZC36SS	TBZC42SS	3" BEVELLED TRIM (SATIN CHROME)
13	GZ550-1KT	GZ550-1KT	BLOWER KIT
14	W500-0033	W500-0033	WALL SWITCH MOUNTING PLATE



7.0 WARRANTY

NAPOLEON® products are manufactured under the strict Standard of the world recognized ISO 9001 : 2008 Quality Assurance Certificate.

NAPOLEON® products are designed with superior components and materials assembled by trained craftsmen who take great pride in their work. The burner and valve assembly are leak and test-fired at a quality test station. The complete appliance is again thoroughly inspected by a qualified technician before packaging to ensure that you, the customer, receives the quality product that you expect from NAPOLEON®.

NAPOLEON® GAS APPLIANCE PRESIDENT'S LIFETIME LIMITED WARRANTY

The following materials and workmanship in your new NAPOLEON® gas appliance are warranted against defects for as long as you own the appliance. This covers: combustion chamber, heat exchanger, stainless steel burner, phazer™ logs and embers, rocks, ceramic glass (thermal breakage only), gold plated parts against tarnishing, porcelainized enameled components and aluminum extrusion trims.*

Electrical (110V and millivolt) components and wearable parts such as blowers, gas valves, thermal switch, switches, wiring, remote controls, ignitor, gasketing, and pilot assembly are covered and NAPOLEON® will provide replacement parts free of charge during the first year of the limited warranty.*

Labour related to warranty repair is covered free of charge during the first year. Repair work, however, requires the prior approval of an authorized company official. Labour costs to the account of NAPOLEON® are based on a predetermined rate schedule and any repair work must be done through an authorized NAPOLEON® dealer.

* Construction of models vary. Warranty applies only to components included with your specific appliance.

CONDITIONS AND LIMITATIONS

NAPOLEON® warrants its products against manufacturing defects to the original purchaser only. Registering your warranty is not necessary. Simply provide your proof of purchase along with the model and serial number to make a warranty claim. NAPOLEON® reserves the right to have its representative inspect any product or part thereof prior to honouring any warranty claim. Provided that the purchase was made through an authorized NAPOLEON® dealer your appliance is subject to the following conditions and limitations:

Warranty coverage begins on the date of original installation.

This factory warranty is non-transferable and may not be extended whatsoever by any of our representatives.

The gas appliance must be installed by a licensed, authorized service technician or contractor. Installation must be done in accordance with the installation instructions included with the product and all local and national building and fire codes.

This limited warranty does not cover damages caused by misuse, lack of maintenance, accident, alterations, abuse or neglect and parts installed from other manufacturers will nullify this warranty.

This limited warranty further does not cover any scratches, dents, corrosion or discoloring caused by excessive heat, abrasive and chemical cleaners nor chipping on porcelain enamel parts, mechanical breakage of PHAZER™ logs and embers.

This warranty extends to the repair or replacement of warranted parts which are defective in material or workmanship provided that the product has been operated in accordance with the operation instructions and under normal conditions.

After the first year, with respect to this President's Lifetime Limited Warranty, NAPOLEON® may, at its discretion, fully discharge all obligations with respect to this warranty by refunding to the original warranted purchaser the wholesale price of any warranted but defective part(s).

NAPOLEON® will not be responsible for installation, labour or any other expenses related to the reinstallation of a warranted part and such expenses are not covered by this warranty.

Notwithstanding any provisions contained in the President's Lifetime Limited Warranty, NAPOLEON'S responsibility under this warranty is defined as above and it shall not in any event extend to any incidental, consequential or indirect damages.

This warranty defines the obligations and liability of NAPOLEON® with respect to the NAPOLEON® gas appliance and any other warranties expressed or implied with respect to this product, its components or accessories are excluded.

NAPOLEON® neither assumes, nor authorizes any third party to assume, on its behalf, any other liabilities with respect to the sale of this product.

NAPOLEON® will not be responsible for: over-firing, downdrafts, spillage caused by environmental conditions such as rooftops, buildings, nearby trees, hills, mountains, inadequate vents or ventilation, excessive venting configurations, insufficient makeup air, or negative air pressures which may or may not be caused by mechanical systems such as exhaust fans, furnaces, clothes dryers, etc.

Any damages to the appliance, combustion chamber, heat exchanger, plated trim or other components due to water, weather damage, long periods of dampness, condensation, damaging chemicals or cleaners will not be the responsibility of NAPOLEON®.

All parts replaced under the President's Limited Lifetime Warranty Policy are subject to a single claim.

During the first 10 years NAPOLEON® will replace or repair the defective parts covered by the lifetime warranty at our discretion free of charge. From 10 years to life, NAPOLEON® will provide replacement parts at 50% of the current retail price.

All parts replaced under the warranty will be covered for a period of 90 days from the date of their installation.

The manufacturer may require that defective parts or products be returned or that digital pictures be provided to support the claim. Returned products are to be shipped prepaid to the manufacturer for investigation. If a product is found to be defective, the manufacturer will repair or replace such defect.

Before shipping your appliance or defective components, your dealer must obtain an authorization number. Any merchandise shipped without authorization will be refused and returned to sender.

Shipping costs are not covered under this warranty.

Additional service fees may apply if you are seeking warranty service from a dealer.

Warranty labour allowance is only for the replacement of the warranted part. Travel, diagnostic tests, shipping and other related charges are not covered by this warranty.

ALL SPECIFICATIONS AND DESIGNS ARE SUBJECT TO CHANGE WITHOUT PRIOR NOTICE DUE TO ON-GOING PRODUCT IMPROVEMENTS. NAPOLEON® IS A REGISTERED TRADEMARK OF WOLF STEEL LTD.

2.1B

8.0 SERVICE HISTORY

Appliance Service History This heater must be serviced annually depending on usage.				
Date	Dealer Name	Service Technician Name	Service Performed	Special Concerns

