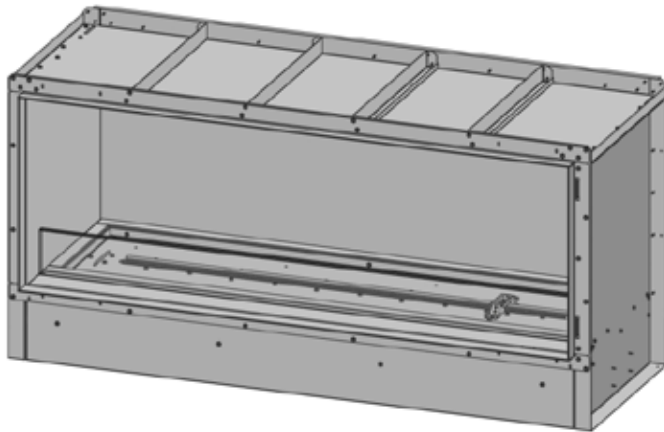



EN
FR
PG.37



OUTDOOR GAS FIREPLACE GSS48 / GSS48ST


NOTE! LED Light instructions are located on page 23.



 **DANGER!** CARBON MONOXIDE HAZARD
 This appliance can produce carbon monoxide, which has no odor. Using it in an enclosed space can kill you. Never use this appliance in an enclosed space such as a camper, tent, car or home.

 **DANGER**
IF YOU SMELL GAS:

- Shut off gas to the appliance.
- Extinguish any open flame.
- If odor continues, keep away from the appliance and immediately call your gas supplier or fire department.

 **WARNING!** For Outdoor Use Only.

 **WARNING**
 Do not try to light this appliance without reading the "LIGHTING" instructions section of this manual.
 Do not store or use gasoline or other flammable liquids or vapors in the vicinity of this or any other appliance. An L.P. cylinder not connected for use must not be stored in the vicinity of this or any other appliance. If the information in these instructions is not followed exactly, a fire or explosion may result, causing property damage, personal injury or death.

  **WARNING!**

- Hot glass will cause burns.
- Do not touch glass until cooled.
- Never allow children to touch glass.

**INSTALLER: LEAVE THIS MANUAL WITH THE APPLIANCE.
CONSUMER: RETAIN THIS MANUAL FOR FUTURE REFERENCE.**



N415-0270 JAN 22.14

Napoleon Appliance Corp.,
214 Bayview Dr., Barrie, Ontario, Canada L4N 4Y8 Phone: 1-705-726-4278 Fax: (705)725-2564
www.napoleongrills.com

Customer service: 1-866-820-8686 or wecare@napoleonproducts.com



NAPOLEON products are designed with superior components and materials, and are assembled by trained craftsmen who take great pride in their work. Every component has been thoroughly inspected by a qualified technician before packaging and shipping to ensure that you, the customer, receive the quality product you expect from NAPOLEON.

Napoleon® Gas Appliance 5 Year Limited Warranty

All stainless steel components (excluding burner screen) of your new NAPOLEON® gas appliance are warranted against defects for five years.

Components such as gas valves, thermocouples, igniters, logs, glass embers and gaskets are covered and NAPOLEON® will provide replacement parts free of charge during the first year of limited warranty.

NAPOLEON shall not be liable for any transportation charges, labor costs or export duties.

Conditions And Limitations

NAPOLEON® warrants its products against manufacturing defects to the original purchaser only. Registering your warranty is not necessary. Simply provide your proof of purchase along with the model and serial number to make a warranty claim. NAPOLEON® reserves the right to have its representative inspect any product or part thereof prior to honouring any warranty claim. Provided that the purchase was made through an authorized NAPOLEON® dealer your heater is subject to the following conditions and limitations:

This limited warranty applies only while the unit remains at the site of original installation, and only if the unit is installed in Canada or the United States.

This factory warranty is non-transferable and may not be extended whatsoever by any of our representatives.

Installation must be done in accordance with the installation instructions included with the product and all local and national building and fire codes.

This limited warranty does not cover damages caused by misuse; lack of maintenance, accident, alterations, abuse or neglect and parts installed from other manufacturers will nullify this warranty.

This limited warranty further does not cover any scratches, dents, corrosion or discoloring caused by excessive heat, abrasive and chemical cleaners, mechanical breakage of logs and embers.

In the first year only, this warranty extends to the repair or replacement of warranted parts which are defective in material or workmanship provided that the product has been operated in accordance with the operation instructions and under normal conditions.

After the first year, with respect to the President's Limited Lifetime Warranty, NAPOLEON® may, at its discretion, fully discharge all obligations with respect to this warranty by refunding to the original warranted purchaser the wholesale price of any warranted but defective parts).

After the first year, NAPOLEON® will not be responsible for installation, labour or any other costs or expenses related to the reinstallation of a warranted part, and such expenses are not covered by this warranty.

Notwithstanding any provisions contained in the President's Limited Lifetime Warranty, napoleon's responsibility under this warranty is defined as above and it shall not in any event extend to any incidental, consequential or indirect damages.

This warranty defines the obligations and liability of NAPOLEON® with respect to the NAPOLEON® gas appliance and any other warranties expressed or implied with respect to this product, its components or accessories are excluded.

This limited warranty does not cover damages resulting from the use of components not supplied with the appliance, or the use of fuel other than those specified.

Any damages to appliance due to weather, long periods of dampness, condensation, damaging chemicals or cleaners will not be the responsibility of NAPOLEON®.

The bill of sale or copy will be required together with a serial number and a model number when making any warranty claims from your authorized dealer. The warranty registration card must be returned within fourteen days to register the warranty.

NAPOLEON® reserves the right to have its representative inspect any product or part thereof prior to honouring any warranty claim.



WARNING! For Outdoor Use Only.



WARNING! Improper installation, adjustment, alteration, service or maintenance can cause injury or property damage. Read the installation, operating and maintenance instructions thoroughly before installing or servicing this gas appliance.

EN

Safe Operating Practices

- **THIS APPLIANCE IS HOT WHEN OPERATING AND CAN CAUSE SEVERE BURNS IF CONTACTED.**
- **Installation and repair should be done by a qualified service person. The appliance should be inspected before use and at least annually by a qualified service person. More frequent cleaning may be required as necessary. It is imperative the control compartment, burners and circulating air passageways of the appliance be kept clean.**
- Do not operate appliance before reading and understanding operating instructions. Failure to operate appliance according to operating instructions could cause fire or injury.
- Risk of burns. The appliance should be turned off and cooled before servicing.
- Do not install damaged, incomplete or substitute components.
- **Young children should be carefully supervised when they are in the area of the appliance. Toddlers, young children and others may be susceptible to accidental contact burns. A physical barrier is recommended if there are at risk individuals in the vicinity. To restrict access to an appliance or stove, install an adjustable safety gate to keep toddlers, young children and other at risk individuals out of the vicinity and away from hot surfaces.**
- Ensure you have incorporated adequate safety measures to protect infants/toddlers from touching hot surfaces.
- Under no circumstances should this appliance be modified.
- Keep the packaging material out of reach of children and dispose of the material in a safe manner. As with all plastic bags, these are not toys and should be kept away from children and infants.
- Do not leave appliance unattended when in use.
- For Outdoor use only.
- This appliance must not be used for cooking.
- This unit is not for use with solid fuel.
- Improper installation, adjustment, alteration, service, or maintenance can cause injury or property damage. Read the installation, operating and maintenance instructions thoroughly before installing or servicing this equipment.
- This appliance shall be used ONLY outdoors in a well-ventilated space and shall NOT be used inside a building, garage, or any other enclosed area.
- Cylinders must be stored outdoors in a well-ventilated area out of reach of children. Disconnected cylinders must have threaded valve plugs tightly installed and must not be stored in a building, garage or any other enclosed area.
- Storage of this appliance indoors is permissible only if it has been disconnected from its fuel supply (natural gas line or LP gas cylinder).
- If it is evident there is excessive abrasion or wear, or the hose is cut, it must be replaced prior to the appliance being put into operation.
- **Clothing or other flammable materials should not be hung from the appliance, or placed on or near the appliance.**
- **Any guard or other protective device removed for servicing the appliance must be replaced prior to operating the appliance.**
- Inspect the fuel supply connection for signs of leakage (including the hose for LP models) before each use of the appliance.
- The pressure regulator and hose assembly supplied with LP models must be used. Replacement pressure regulators and hose assemblies must be those specified in this manual.
- The LP gas supply cylinder used with LP models must be constructed and marked in accordance with the specifications for LP-gas cylinders as required by the U.S. Department of Transportation (DOT) or the Canadian Transport Commission (CTC).
- The LP gas cylinder supply system must be arranged for vapour withdrawal.
- The LP-gas cylinder used must include a collar to protect the cylinder valve.
- When an LP model is not in use, the LP-gas must be turned off at the supply cylinder.
- To extend the life of your appliance, protect and cover it from the elements when not in use.
- This product must be installed by a licensed plumber or gas fitter when installed within the commonwealth of Massachusetts.



CAUTION! During unpacking and assembly we recommended you wear work gloves and safety glasses for your protection. Although we make every effort to make the assembly process as problem free and safe as possible, it is characteristic of fabricated steel parts that the edges and corners might be sharp and could cause cuts if handled incorrectly.



Getting Started

1. Remove all of the parts from the carton. Use the parts list to ensure all necessary parts are included.
2. Do not destroy packaging until the appliance has been installed and operates to your satisfaction.
3. Choose a location that meets the clearance to combustibles as outlined in this manual. Take into consideration the need for clear and easy access to the on/off valve **AFTER** the appliance is installed and connected to the gas supply in order to safely turn off the burner.
4. **Most stainless steel parts are supplied with a protective plastic coating that must be removed prior to using the appliance.**
5. Read and follow all instructions in this manual before installing or servicing this gas appliance.



If you have any questions about assembly or appliance operation, or if there are damaged or missing parts please call our Customer Care Department at 1-866-820-8686 between 9 AM and 5 PM (Eastern Standard Time).



WARNING! This appliance is designed for non-combustible enclosures only, and must be installed and serviced by a qualified installer to local codes.

General Information

This gas appliance was tested and listed to Canadian and American National Standards, ANSI Z21.97-2012/CSA 2.41-2012 "Standard for Outdoor Decorative Gas Appliance" and CGA 2.17-M91 (R2009) "Gas-Fired Appliance for use at High Altitude" by OMNI-Test Laboratories. When an appliance is for connection to a fixed piping system, the installation must conform with local codes, or in the absence of local codes, with the National Fuel Gas Code, ANSI Z233.1/NFPA 54, International Fuel Gas Code, Natural Gas and Propane Installation Code, CSA B149.1, or Propane Storage and Handling Code, B149.2, as applicable.

The appliance, when installed, must be electrically grounded in accordance with local codes, or in the absence of local codes, with the National Electrical Code, ANSI/NFPA 70 or the Canadian Electrical Code, CSA C22.1.

This appliance should be installed and serviced by a qualified installer to conform with local codes. Installation practices vary from region to region and it is important to know the specifics that apply to your area, for example: in Massachusetts State:

- The appliance off valve must be a "T" handle gas cock.
- The flexible connector must not be longer than 36 inches.

The appliance and its individual shut off valve must be disconnected from the gas supply piping system during any pressure testing of the system at test pressures in excess of 1/2 psig (3.5kPa).

This appliance must be isolated from the gas supply piping system by closing its individual manual shut off valve during any pressure testing of the gas supply piping system at test pressures equal to or less than 1/2 psig (3.5kPa).

- Always keep the appliance area clear and free from combustible materials, gasoline, and other flammable vapours and liquids.
- Do not locate appliance where it can get excessively wet.
- Do not use this appliance if any part has been under water. Immediately call a qualified service technician to inspect the unit and to replace any part of the control system and any gas control, which has been underwater.

NATIONAL
FIREPLACE
INSTITUTE



CERTIFIED
www.nficertified.org

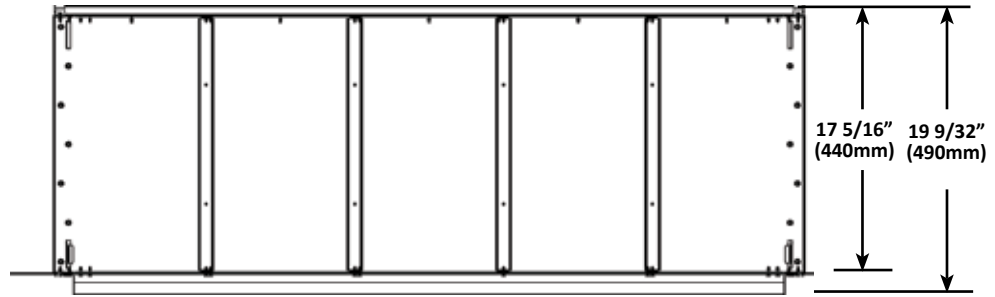
We suggest that our gas hearth products be installed and serviced by professionals who are certified in the U.S. by the National Fireplace Institute® (NFI) as NFI Gas Specialists.

INPUT				
MODEL	FUEL	ORIFICE SIZE	MAX. INPUT Btu/Hr	GAS INLET PRESSURES
GSS48	Natural Gas	#25	55,000	7.0" W.C.
GSS48	Propane Gas	#43	55,000	11.0" W.C.

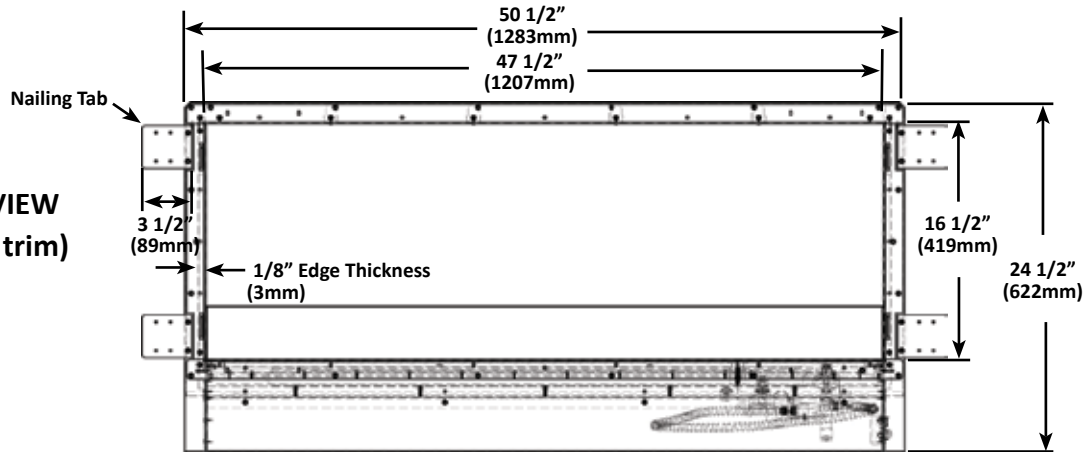
Dimensions

GSS48

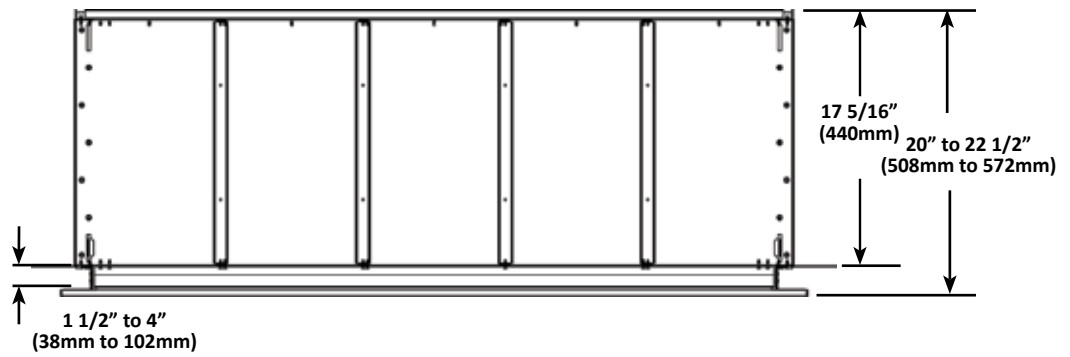
TOP VIEW
(without trim)



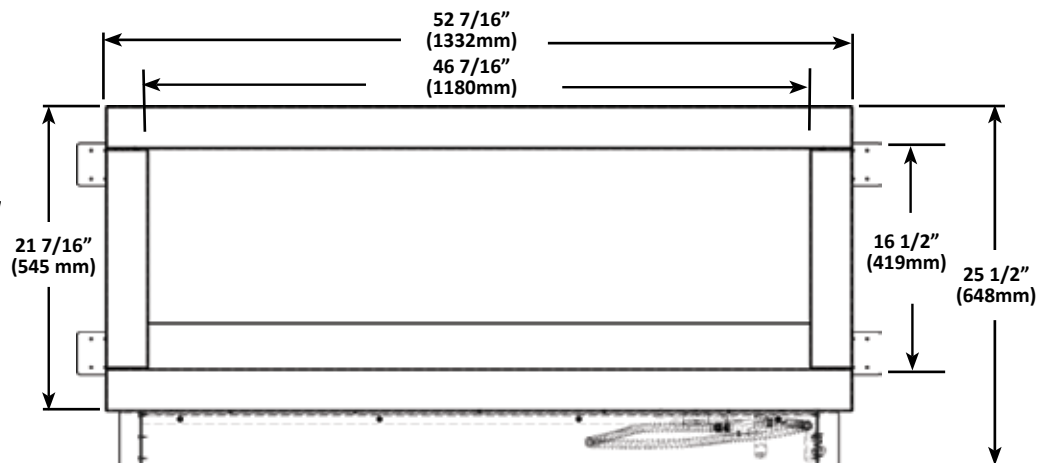
FRONT VIEW
(without trim)



TOP VIEW
(with trim)



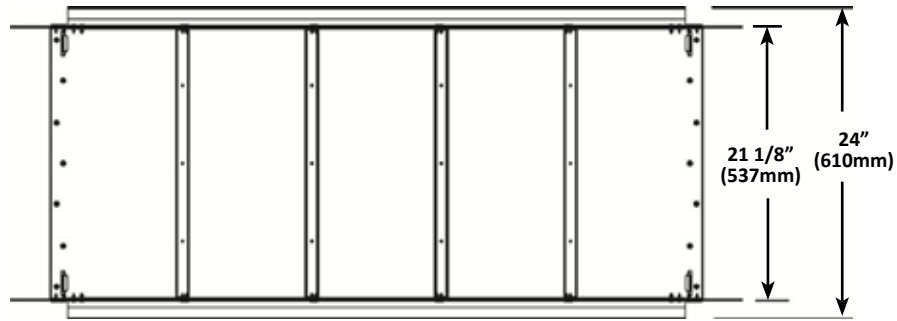
FRONT VIEW
(with trim)



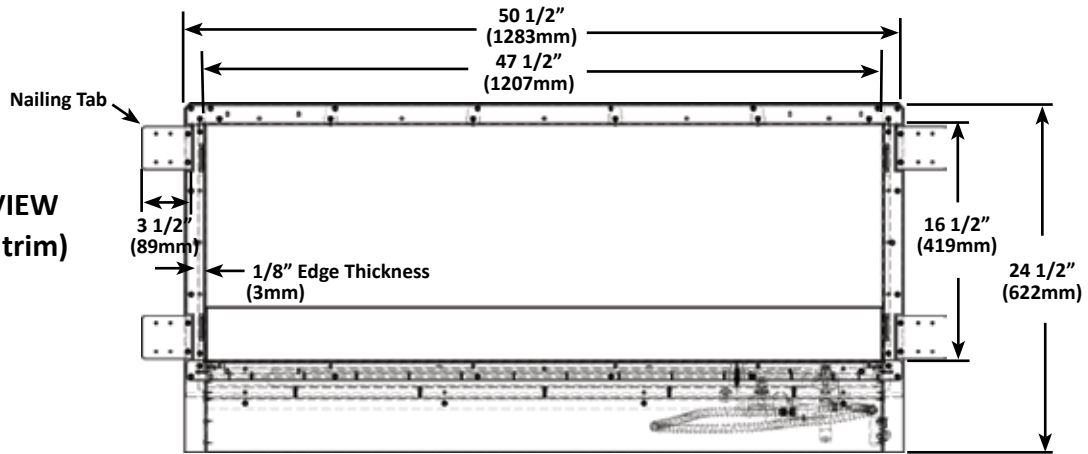
Dimensions

GSS48ST

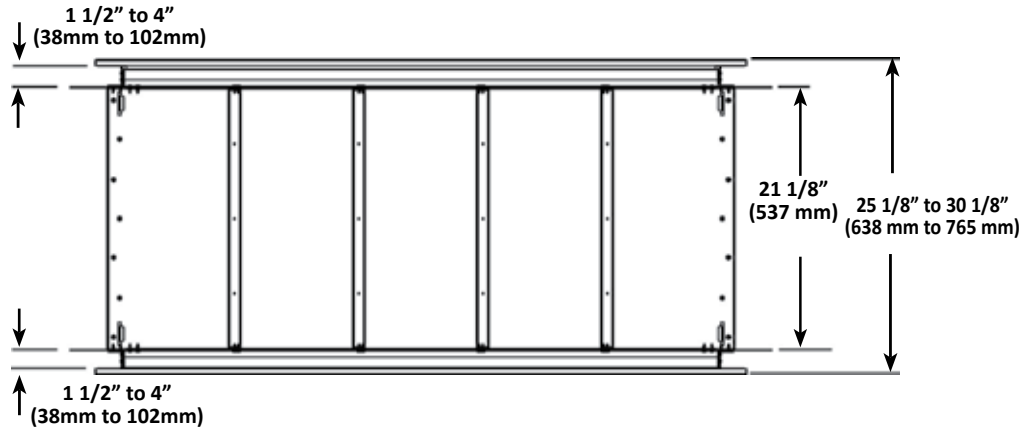
TOP VIEW
(without trim)



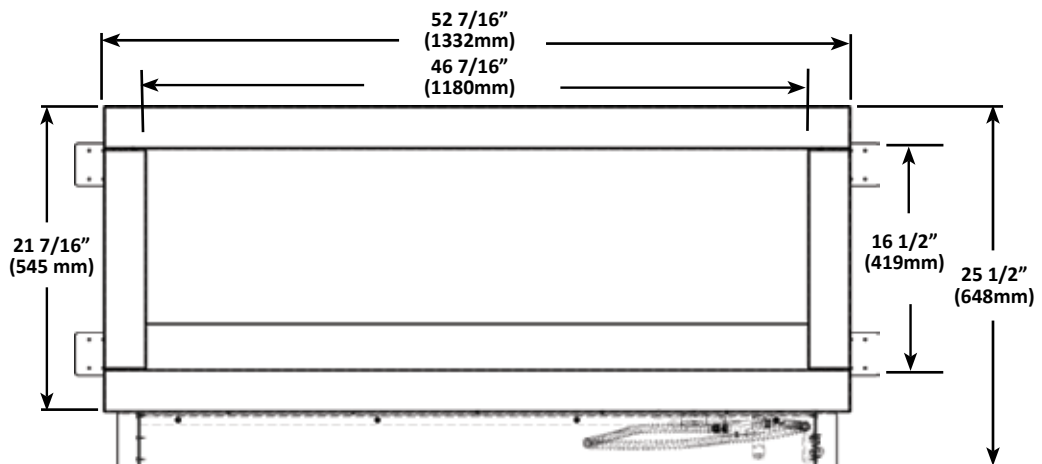
FRONT VIEW
(without trim)



TOP VIEW
(with trim)



FRONT VIEW
(with trim)



Location

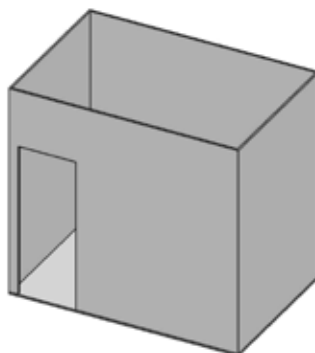
Locating Your Outdoor Fireplace

It is important when selecting a location for your fireplace to ensure clearances to adjacent combustibles are met. This appliance is intended for installation on an outdoor patio or in your yard. It is highly recommended that this appliance be installed in a sheltered area (following the guidelines outlined below). Direct wind will cause an erratic flame and possible pilot or main burner outage. An erratic flame could also lead to excessive carboning (black soot), this condition is not a safety issue but is visually undesirable.

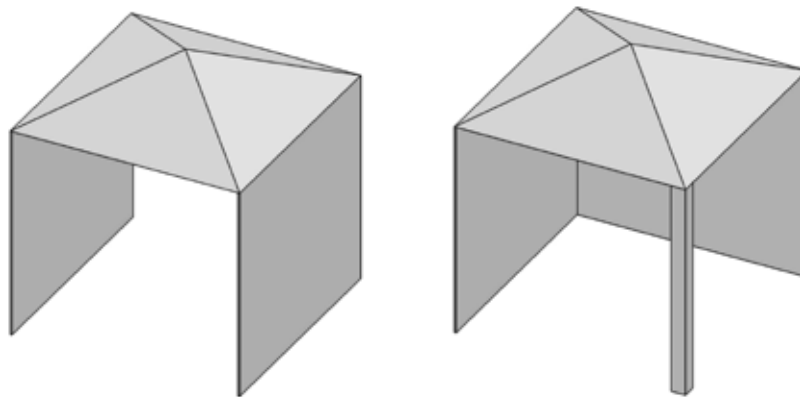
Note: When choosing a location for your fireplace, care must be taken to avoid areas where excessive moisture or running water may be a problem.

Any enclosure (shelter) in which the appliance is used must comply with one of the following:

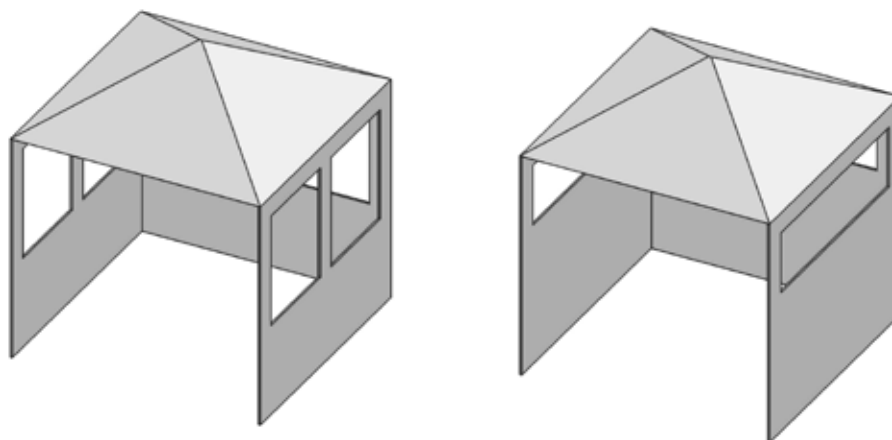
With walls on all sides, but at least one permanent opening at ground level and no overhead cover.



Within a partial enclosure which includes an overhead cover and no more than two sidewalls. These sidewalls may be parallel, as in a breezeway, or at right angles to each other.



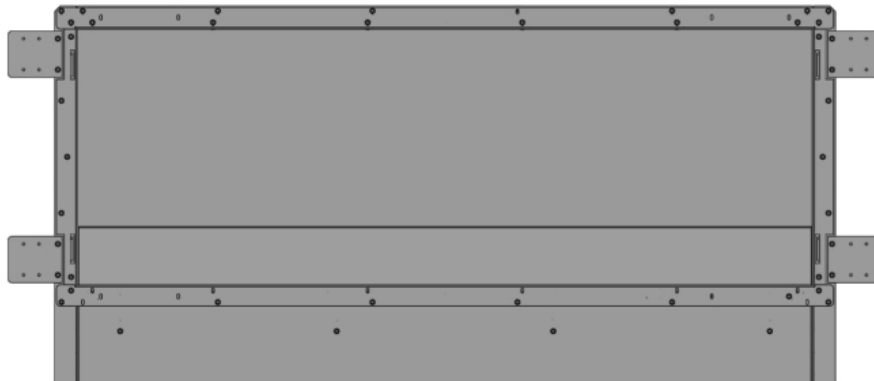
Within a partial enclosure which includes an overhead cover and three sidewalls, as long as 30 percent or more of the horizontal periphery of the enclosure is permanently open.



Installation

Nailing Tabs

To install the appliance face flush with the finished surface, position the framework to accommodate the thickness of the finished surface. Screw the nailing tabs to either side of the appliance and secure to the 2 x 4 steel framing. The tabs will facilitate the installation of either a 1/2" (13mm) or 3/4" (19mm) finished surface thickness.

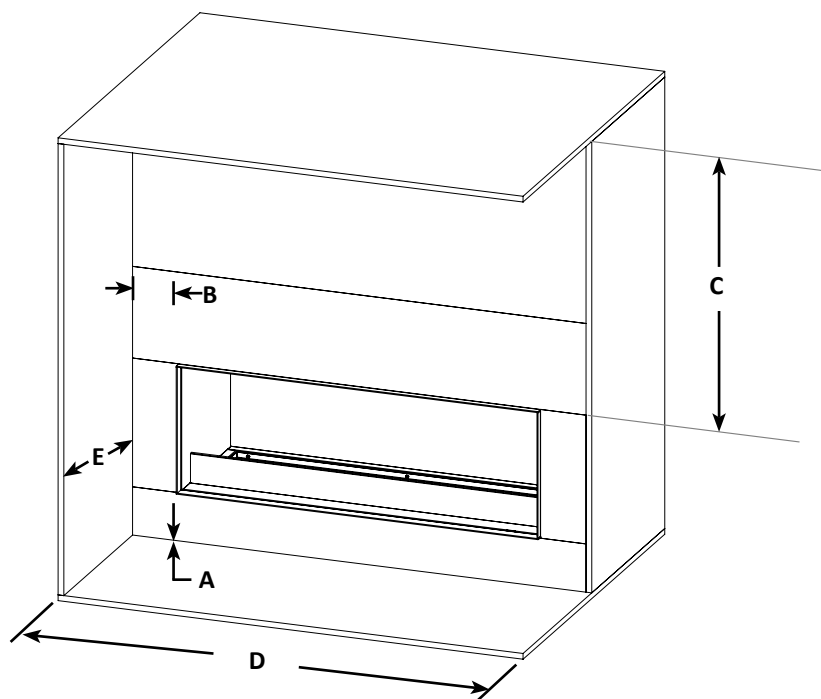


Clearance to Combustibles



WARNING! Minimum clearance to combustibles must be maintained or a serious fire hazard could result.

Minimum Clearance To Combustibles		
	Clearance	Dimension
A	From Ground or other surface	0
B	From Sides	6" (152mm)
C	From Ceiling	36" (915mm)
D	Alcove Width	60" (1524mm) Minimum
E	Alcove Depth	24" (610mm) Maximum



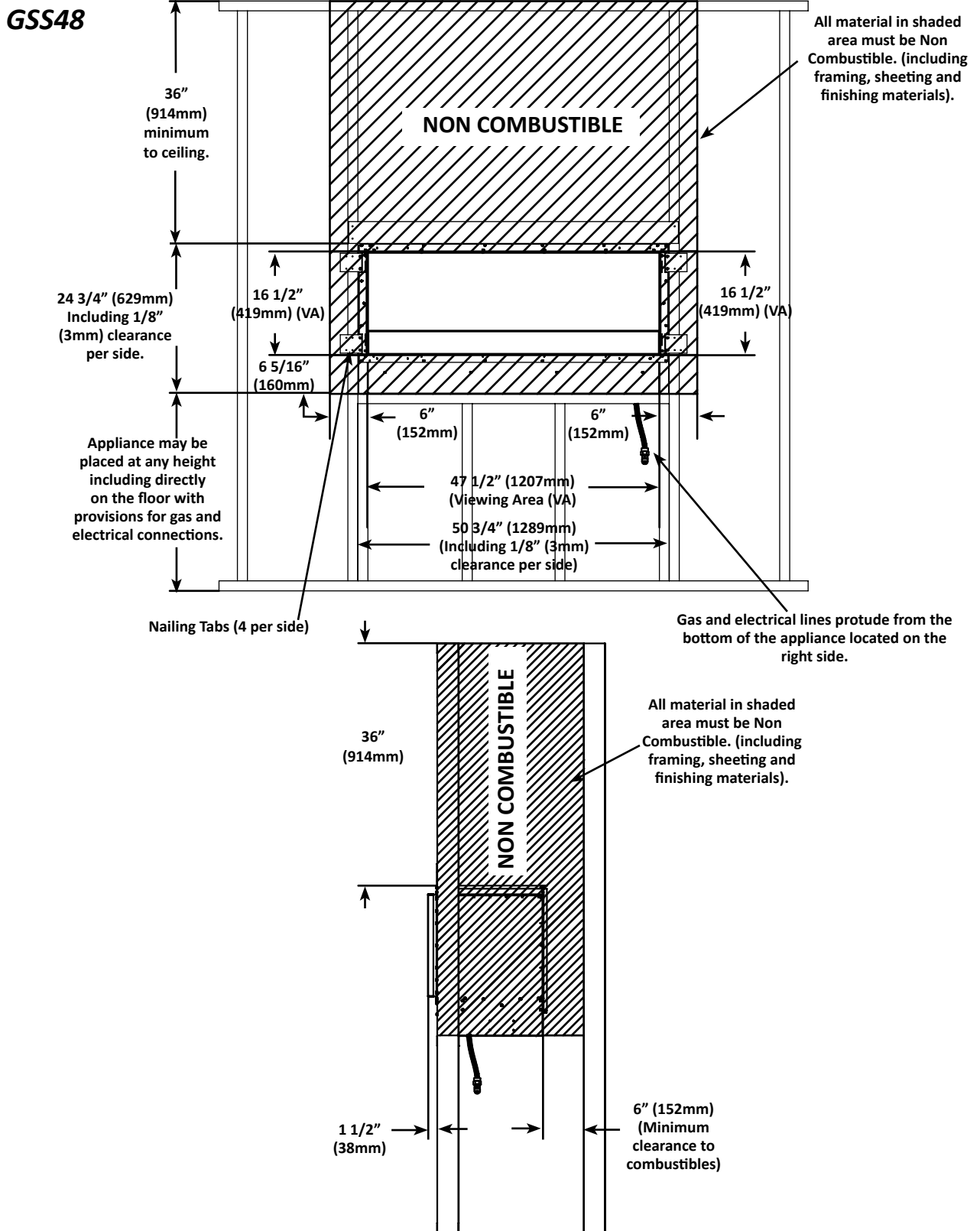
Minimum Enclosure Clearances



WARNING! Use only non-combustible materials such as steel studs, cement board, ceramic tile, marble, paint etc. When adding finishing materials to the appliance. Do not use wood or drywall.

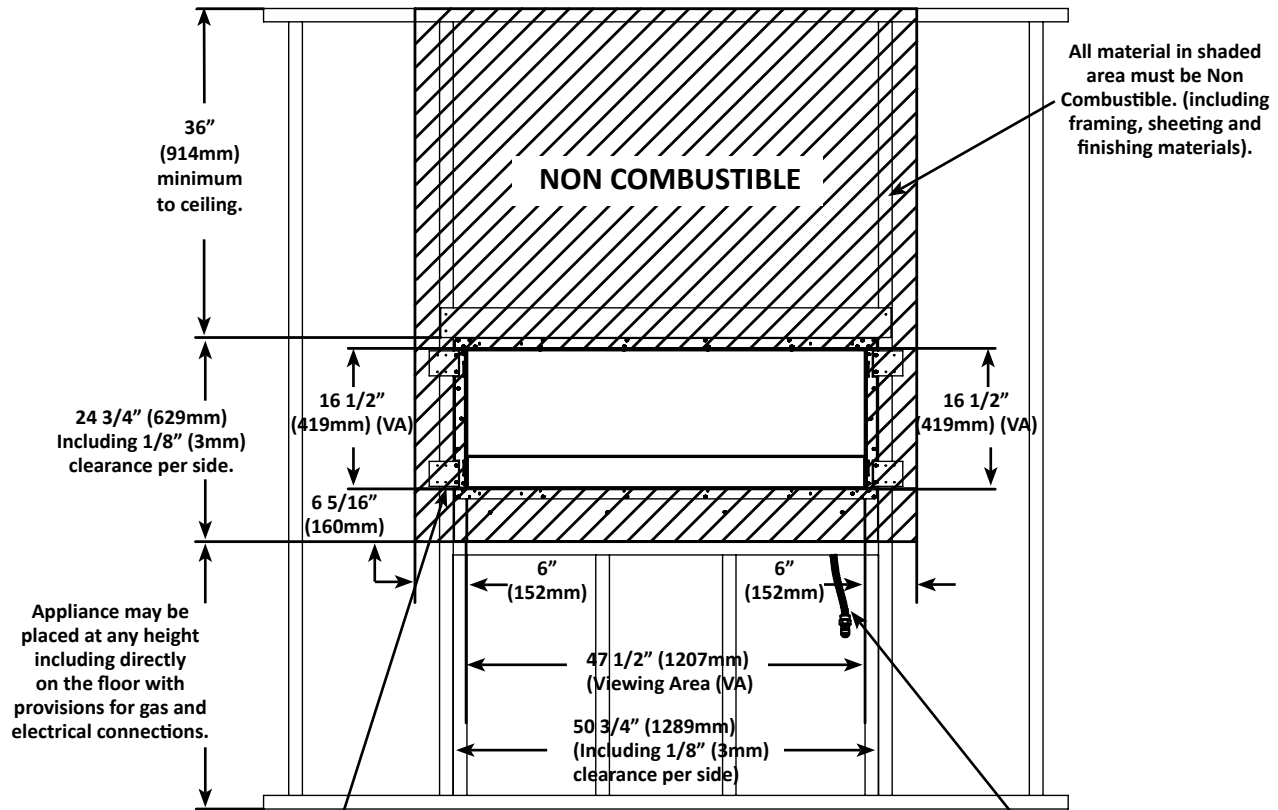


WARNING! You must have clear and easy access to the on/off valve AFTER the appliance is installed and connected to the gas supply in order to safely turn off the burner.



GSS48ST

EN

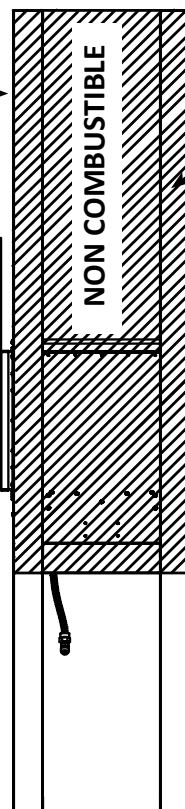


Nailing Tabs (4 per side)

Gas and electrical lines protude from the bottom of the appliance located on the right side.

21" (533mm) to outside of steel studs.

Can be altered depending on finishing material.



Minimum Mantel Clearances



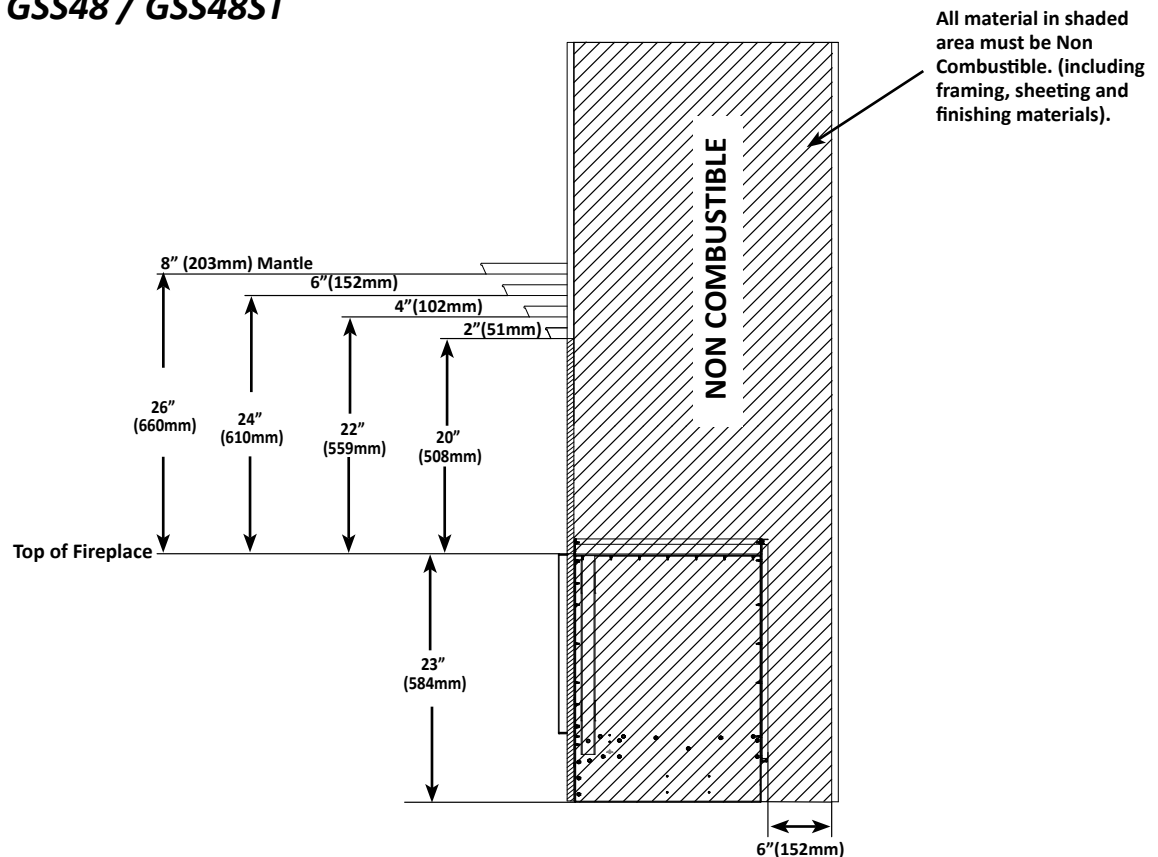
WARNING! Mantel temperatures will rise above normal temperatures and may be hot to the touch.

EN

We recommend that all mantels are made from non-combustible material. If using combustible materials, follow the chart below.

Note: When using paint or lacquer to finish the mantel, the paint or lacquer must be heat resistant to prevent discolouration.

GSS48 / GSS48ST



Drain Installation (Recommended)

Although this fireplace is designed to operate outdoors safely, rain and other sources of moisture may enter the fireplace area, which will cause water to collect inside the base of the unit within the fireplace enclosure. When choosing a location for your fireplace, care must be taken to avoid areas where excessive moisture or running water may be a problem.

To prevent moisture or water from collecting underneath the fireplace, the builder must provide a means to drain water from under the fireplace, before positioning the fireplace in its location. It is recommended that a sealed corrosion resistant drain pan with provisions for drainage be positioned underneath the fireplace. The drain pan can be constructed from corrosion resistant metal, or other suitable materials such as an ice and water shield membrane. A means of drainage out of the drain pan such as piping or weep holes must also be provided. A slope of 1/4" (6mm) per foot towards the drain port is recommended.

Note: When planning for the installation of the fireplace the framing height must be increased to accommodate a drain pan and any additional drainage piping required.

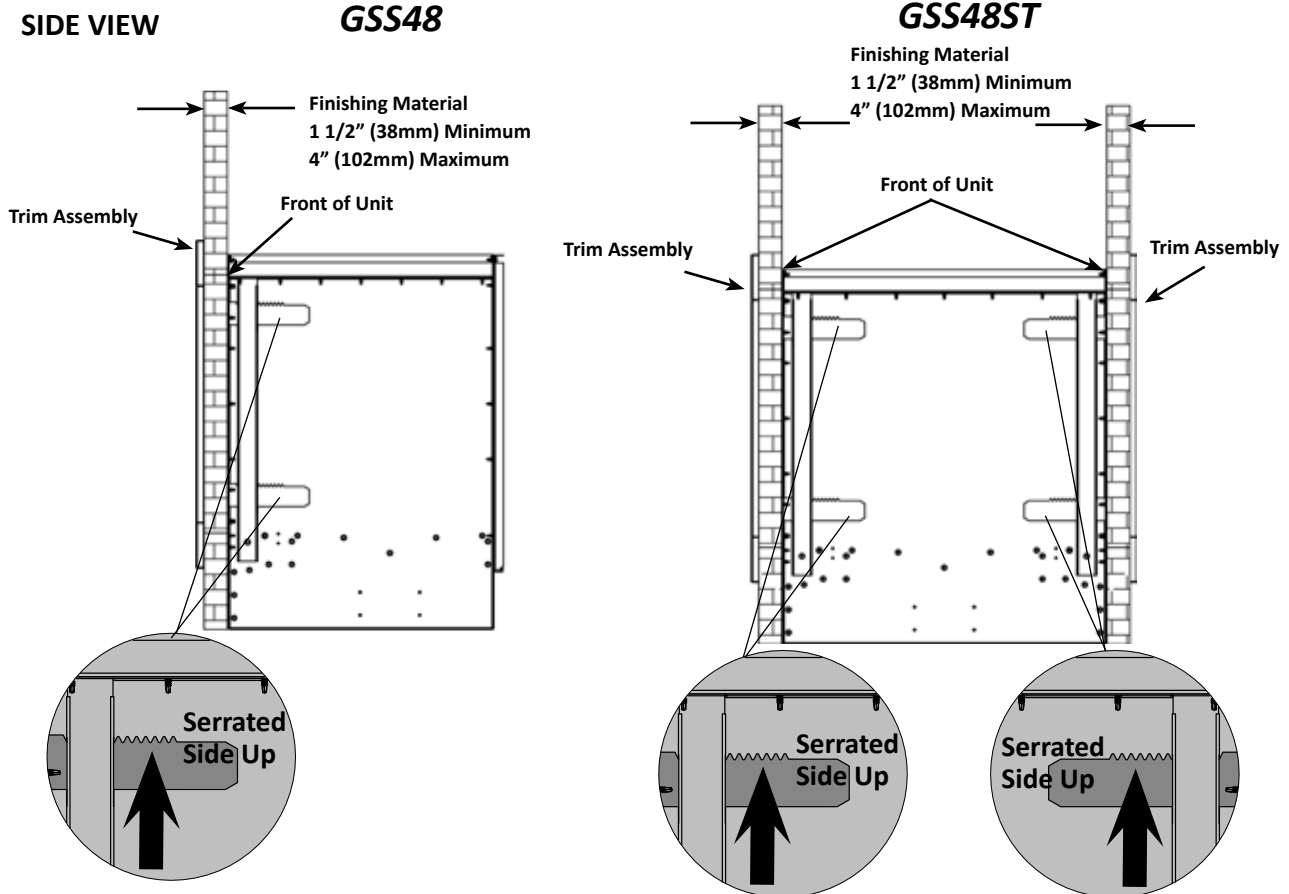
Note: The fireplace must be installed on a level surface to ensure proper drainage.



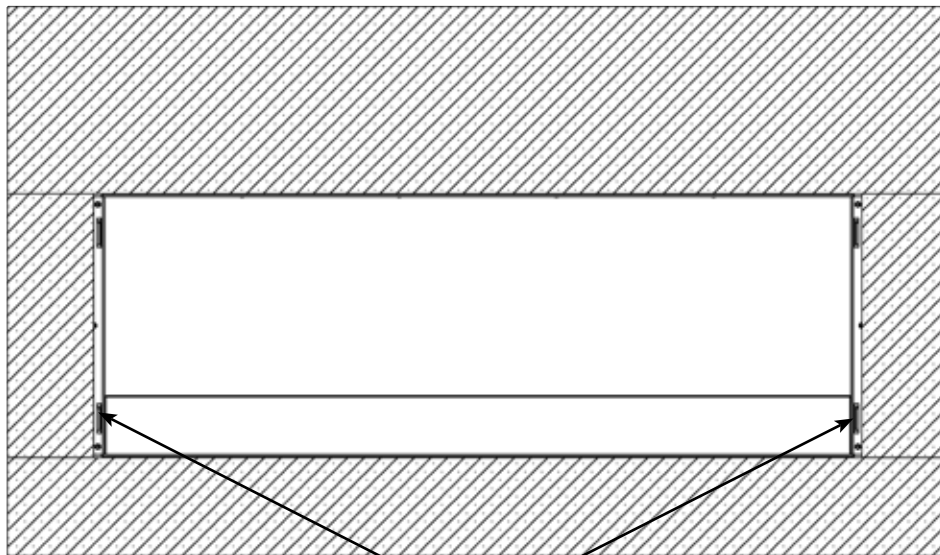
Trim Installation (Optional)

NOTE! Most stainless steel parts are supplied with a protective plastic coating that must be removed prior to using the appliance.

The trim is designed to work with facing material that protrude between 1 1/2" (38mm) to 4" (102mm) from the front of the appliance.



FRONT VIEW



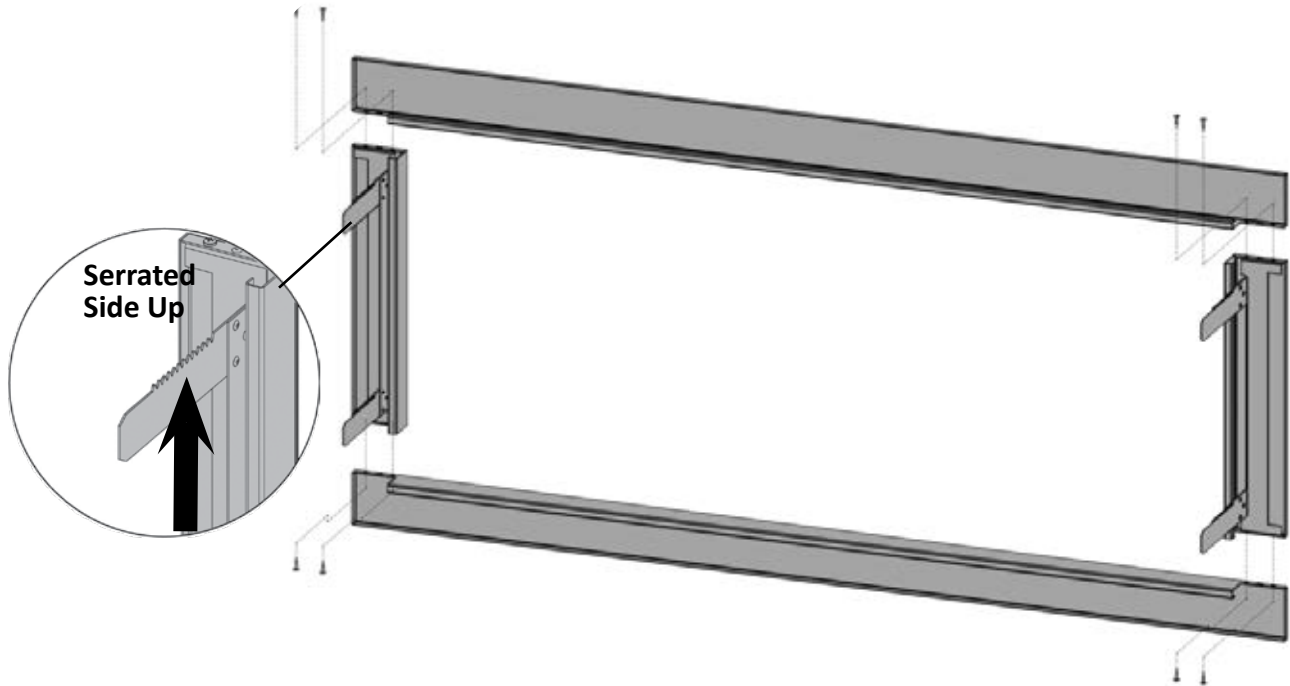
WARNING! When installing the optional trim kit the installer must leave 5/8" (16mm) gap in cement board and finishing materials on both sides to allow access to slots for frame.



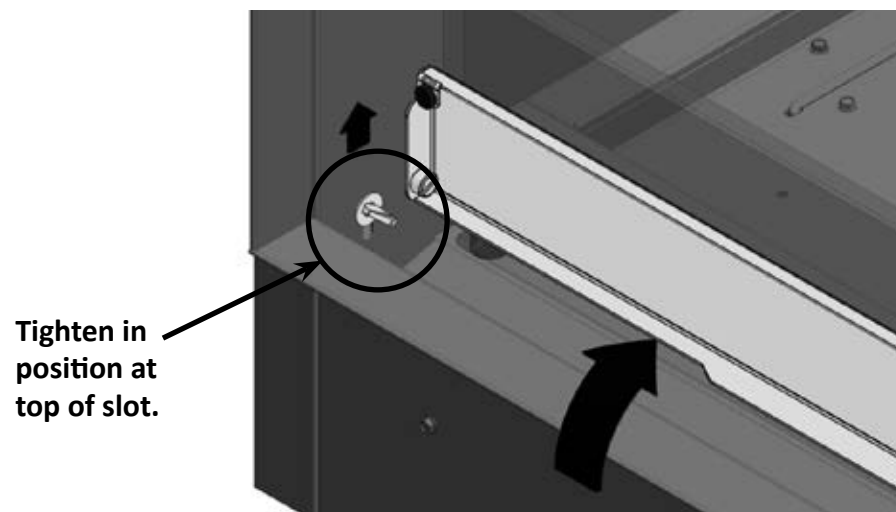
CAUTION! Assemble the trim pieces on a clean, non-abrasive surface to avoid damaging the stainless steel finish.

EN

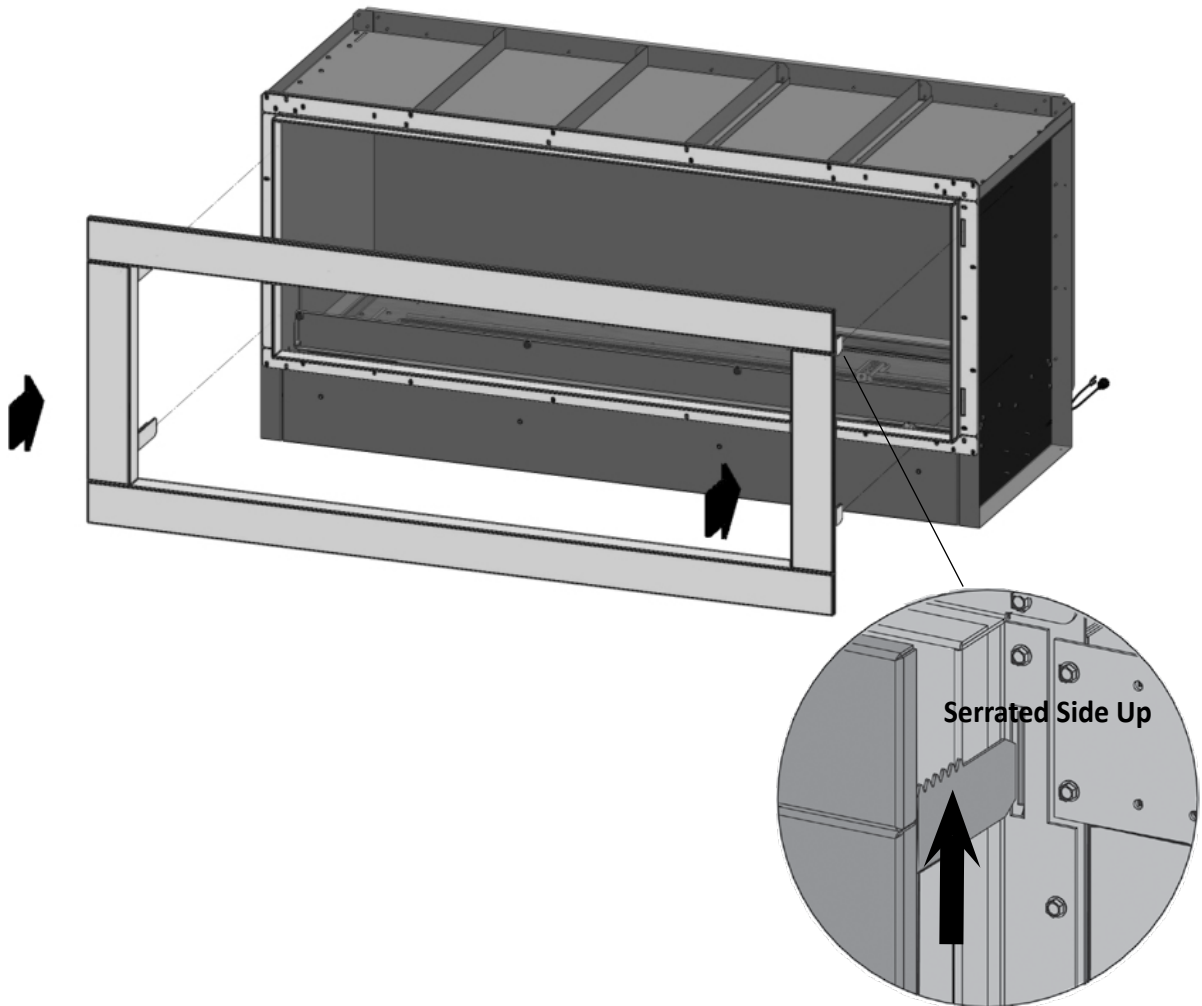
1. Peel protective coating from front trim pieces.
2. Assemble the trim pieces using (8) #8-32 x 3/8" screws as illustrated.



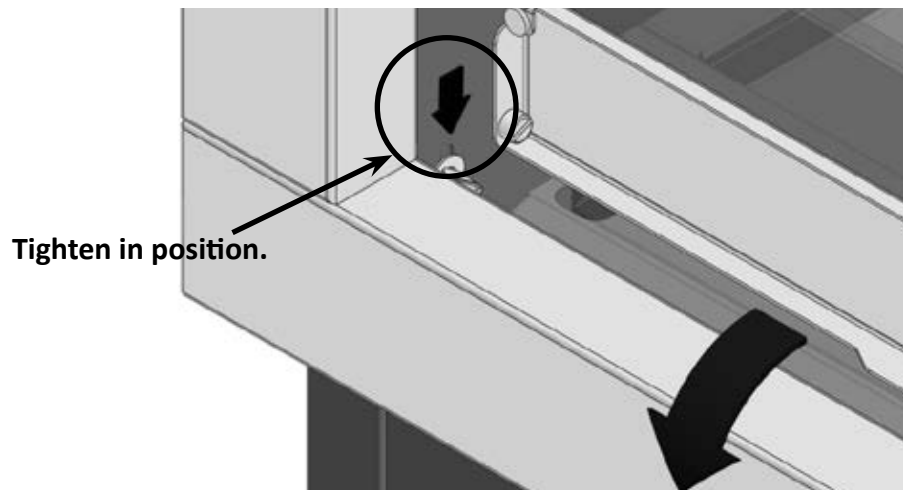
3. Open the front access door on the appliance and loosen the thumb screws (do not remove). Lift up on the thumb screws and tighten in position at top of slot.



4. Line up the brackets on the trim with the slots on the side of the base and insert as illustrated pushing until trim sits flush against front surface. The brackets have been designed with multiple slots (1/4" (6mm) increments) to accommodate different finishing materials.



5. Loosen the thumb screw and lower until it stops. Retighten thumb screw, and close the access door.

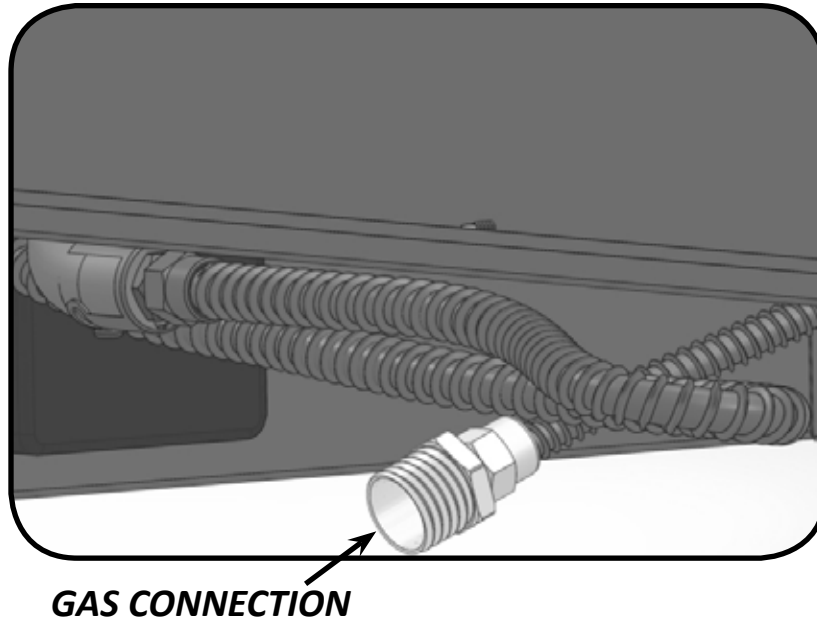


Gas Hook-Up Instructions

Natural Gas Hook-Up

The gas appliance is designed to operate with natural gas at an inlet pressure of 7 inches water column. The piping up to the appliance is the responsibility of the installer. A flexible metal connector is included to simplify the installation of the appliance. Ensure that the connector does not pass through a wall, floor, ceiling or partition, and is protected from damage. Do not use a hose to connect the appliance. The gas supply pipe must be sufficiently sized to supply the BTU/h specified on the rating plate, based on the length of the piping run.

Purge the gas supply line of any trapped air prior to the first firing of the appliance.



WARNING!

- Risk of fire, explosion or asphyxiation, ensure there are no ignition sources such as sparks or open flames.
- The installation must be performed by a licensed gas fitter, and all connections must be leak tested before operating the appliance.
- All gas connections must be contained within the appliance when complete.
- High pressure will damage the valve, disconnect gas supply piping before testing gas line at test pressures above 1/2 psig.
- Connect the gas supply in accordance to local codes. In the absence of local codes, install to the current CAN/CSA B149.1 Installation Code in Canada or to the current National Fuel Gas Code, ANSI Z223.1/NFPA 54 in the United States
- Leak test all the connections by brushing on a soap and water solution. These connections can be accessed by removing the burner. (See burner removal instructions.)

Conversion to LP (Propane) Gas



WARNING! To avoid the possibility of burns conversions should only be done when the appliance is cool. Ensure the burner is turned off. Turn the gas off at source and disconnect the appliance before beginning conversion.



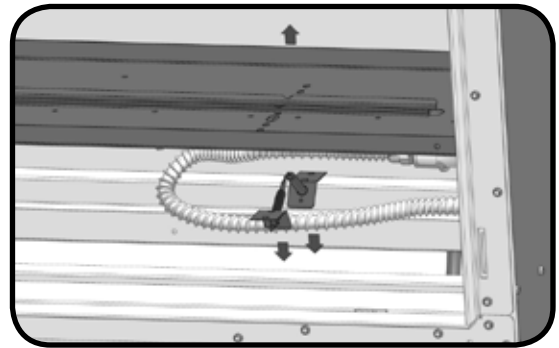
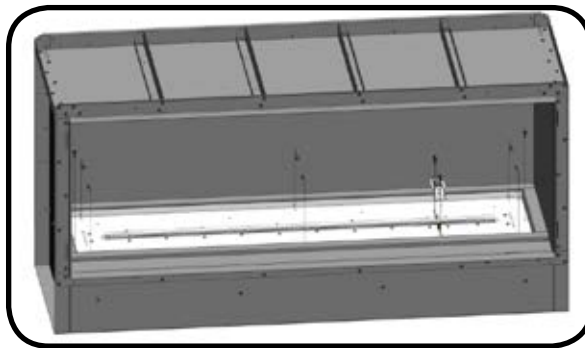
WARNING! Glass embers may have sharp edges wear safety glasses and gloves when handling.



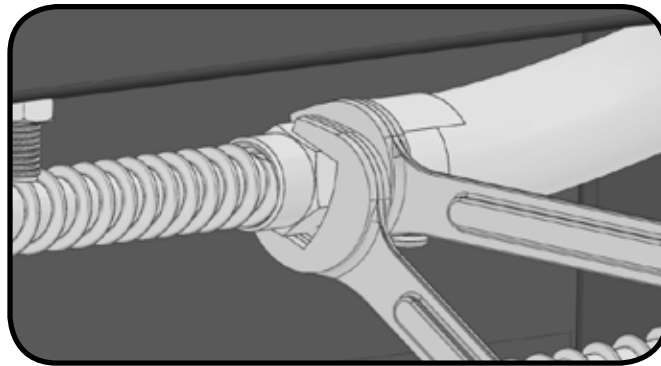
WARNING! This conversion must be performed by a licensed gas fitter, and all connections must be leak tested before operating the appliance.

Your fireplace can be easily converted to LP (Propane) Gas by following these steps:

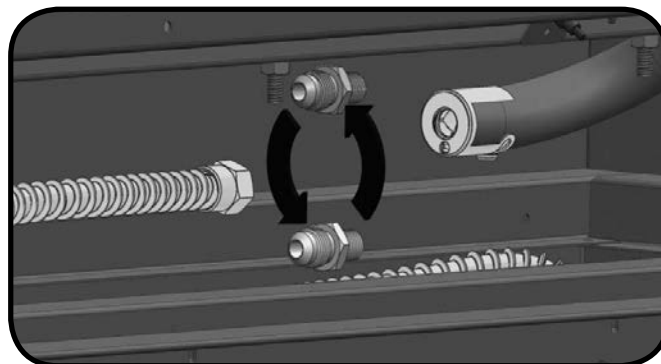
1. Remove the glass embers from the tray.
2. Remove the glass tray from the fireplace by removing the (8) screws that hold the tray in place.
3. Carefully lift the glass tray from the fireplace and set aside. Take care not to damage or kink the thermocouple wire.



4. Disconnect the stainless steel flex connector from the orifice using (2) wrenches.



5. Unscrew the natural gas orifice from the inside of the burner as illustrated.



6. Replace the natural gas orifice with the LP (Propane) orifice supplied.

Note: The air shutter has been factory set and does not need to be adjusted.

7. Reconnect the stainless steel flex connector to the orifice and tighten using (2) wrenches.
8. Place the glass tray over the burner and fasten to the fireplace with the screws removed in step 2.
9. Fill out the conversion label included with your fireplace and apply it to the inside of the control panel access door.
10. A leak test must be performed according to the leak testing instructions found in the manual.



WARNING! If these instructions are not followed exactly, a fire causing death or serious injury may occur.

Propane Cylinder Specifications

A dented or rusty cylinder may be hazardous and should be checked by your propane supplier. Never use a cylinder with a damaged valve. The LP-gas supply cylinder must be constructed and marked in accordance with the U.S. D.O.T. Specifications for LP-Gas Cylinders or the Standard for Cylinders, Spheres and Tubes for Transportation of Dangerous Good and Commission, CAN/CSA-B339, as applicable.

This appliance has been designed for use with a 20 lb. (9.1 kg) or 30 lb (13.6 kg) size propane cylinder only (not supplied).

The LP-gas supply cylinder must be provided with a cylinder-connection device compatible with the connection for the appliance. The propane cylinder must be provided with a shut-off valve terminating in a propane cylinder valve type QCC1, and a safety relief device having direct communication with the vapor space of the cylinder. The cylinder supply system must be arranged for vapor withdrawal and the cylinder shall include a collar to protect the cylinder valve. The LP-gas cylinder must be provided with a listed overfill protection device (OPD). Do not store a spare LP-gas cylinder under or near this appliance. Never fill the cylinder beyond 80 percent full.

Use only the pressure regulator and hose assembly provided with this appliance. Replacement pressure regulators and hose assemblies must be specified by the manufacturer. The regulator supplies a pressure of 11 inches. water column to the appliance and has a QCC1 type fitting. Cylinders to be used with this unit must be supplied with a QCC1 cylinder valve. A QCC1 cylinder has a positive seating connection, which will not allow gas flow until a positive seal has been achieved. It is also equipped with an excess flow device. In order to attain full flow to the appliance, the valve must be in the off position when the cylinder valve is turned on.



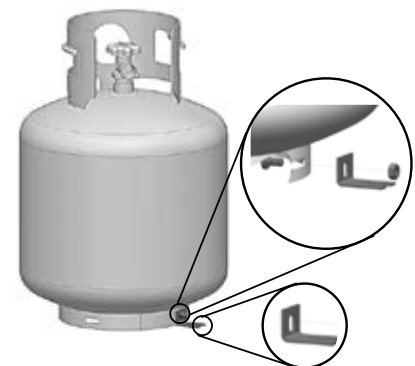
WARNING! A fire will result if the gas supply hose makes contact with the underside of the appliance.

LP (Propane) Gas

Attach cylinder retaining bracket supplied to the base of the cylinder. Then secure to the surface to which it sits. Cylinder should be on a level surface.

Cylinder Retaining Bracket

1. Fasten the bracket to the bottom of the propane bottle using bolt and nut supplied.
2. Tighten the lag screw into the mounting surface leaving approximately 1/4" of thread above the surface.
3. Slide propane bottle into position so that the bracket slides under the head of the lag screw.
4. Tighten the lag screw onto the bracket.
5. For fastening to a concrete surface a concrete anchor will be required. (Not supplied)



Cylinder Connection: Ensure the gas regulator hose is kink free. Remove the cap or plug from the cylinder fuel valve. Insert the black QCC1 regulator nipple onto the QCC1 fuel valve. Hand tighten clockwise. Do not use tools. Leak test all joints prior to using the appliance. A leak test must be performed annually and each time a cylinder is hooked up or if a part of the gas system is replaced.

If this appliance is to be connected directly to a house propane gas supply line, follow the instructions for the natural gas hook-up.



CAUTION!

- Make sure cylinder valve is in its full off position. (Turn clockwise to stop).
- Check cylinder valve features to ensure it has proper external mating threads. (Cylinder Valve Marked: USE WITH TYPE 1)
- Inspect hose shipped with the unit for damage. Never attempt to use damaged or plugged equipment. See your local LP Gas Dealer for repairs.
- When connecting regulator assembly to the cylinder valve, hand tighten black QCC1 nut clockwise to a positive stop. DO NOT use a wrench to tighten. Use of a wrench may damage the quick closing coupling nut and result in a hazardous condition.
- Locate the hose out of pathways where people may trip over it or in areas where the hose may be subject to accidental damage.
- Open cylinder valve fully (counter-clockwise). Turn the on/off valve at the unit slowly to the on position and use a soapy water solution to check all connections for leaks as indicated in the diagrams before attempting to light the appliance. If a leak is found, turn tank valve off and do not use the appliance until repairs can be made.

Enclosures For LP (Propane) Gas Supply Systems

If you build an enclosure for an LP gas cylinder, follow these recommended specifications. You must also follow local codes.

- An enclosure for an LP-gas cylinder shall be ventilated by openings at both the upper and lower levels of the enclosure.

This shall be accomplished by one of the following:

One side of the enclosure shall be completely open;

OR

For an enclosure having four sides, a top, and a bottom:

- At least two ventilation openings shall be provided in the sidewalls of the enclosure, located within 5 in (127 mm) of the top of the enclosure, equally sized, spaced at a minimum of 90 degrees (1.57 rad), and unobstructed. The opening(s) shall have a total free area of not less than 1 in² per lb (14.2 cm² / kg) of stored fuel capacity.
- Ventilation opening(s) shall be provided at floor level of the enclosure and shall have a total free area of not less than 1/2 in² per lb (7.1 cm² / kg) of stored fuel capacity. If ventilation openings at floor level are in a side wall, there shall be at least two openings. The bottom of the openings shall be 1 in (25.4 mm) or less from the floor level and the upper edge no more than 5 in (127 mm) above the floor level. The openings shall be equally sized, spaced at a minimum of 90 degrees (1.57 rad), and unobstructed.
- Every opening shall have minimum dimensions so as to permit the entrance of a 1/8 inch (3.2mm) diameter rod.

Ventilation openings in sidewalls shall not communicate directly with other enclosures of the appliance.

Cylinder valves shall be readily accessible for hand operation. A door on the enclosure to gain access to the cylinder valve is acceptable, provided it is non-locking and can be opened without the use of tools. Designs using a cover to gain access to the cylinder and cylinder valve shall be provided with handles or equivalent at a minimum of 180 degrees apart to facilitate lifting of the cover.

There shall be a minimum clearance of 2 inches (50.8mm) between the lower surface of the floor of the LP gas supply cylinder enclosure and the ground.

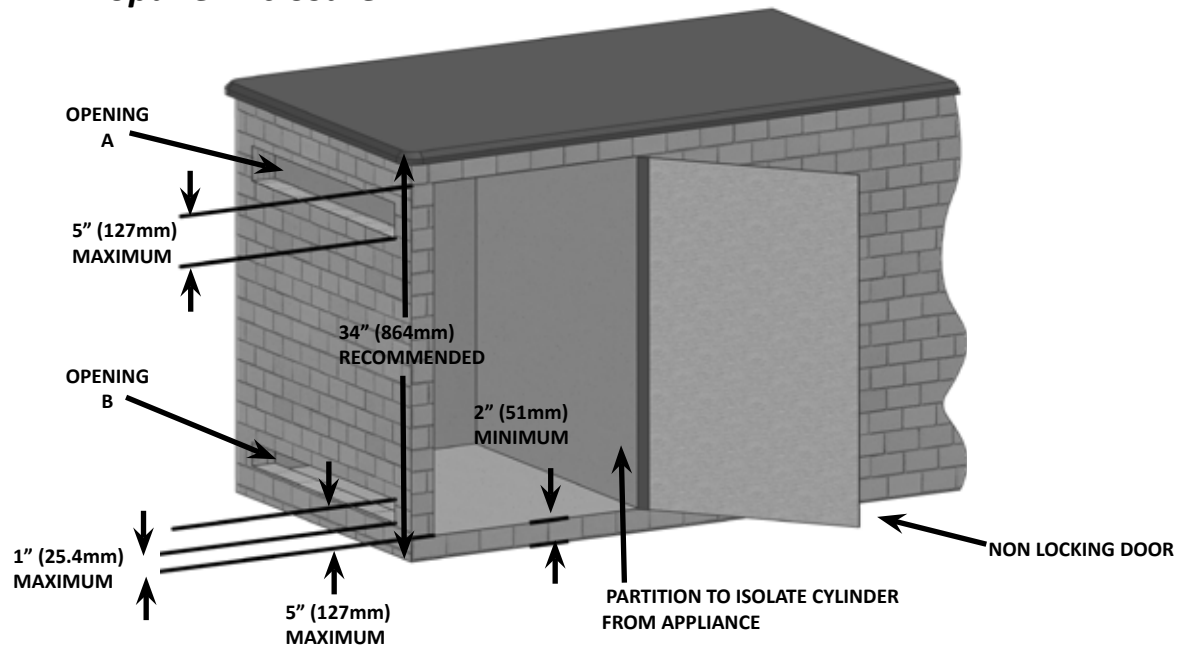
The design of the enclosure shall be such that (1) the LP gas supply cylinder(s) can be connected, disconnected and the connections inspected and tested outside the cylinder enclosure; and (2) those connections which could be disturbed when installing the cylinder(s) in the enclosure can be leak tested inside the enclosure.

The enclosure for the LP-gas cylinder shall isolate the cylinder from the burner compartment to provide:

- Shielding from radiation;
- A flame barrier; and
- Protection from foreign material.

Be certain to mount or set the LP gas cylinder on a flat surface and restrain it using the cylinder retaining bracket to prevent it from tipping.

Propane Enclosure



CYLINDER SIZE	OPENING A AREA	OPENING B AREA
20 lb (9.1kg)	20in ² (130cm ²)	10in ² (65cm ²)
30 lb (13.6kg)	30in ² (195cm ²)	15in ² (100cm ²)



Finishing

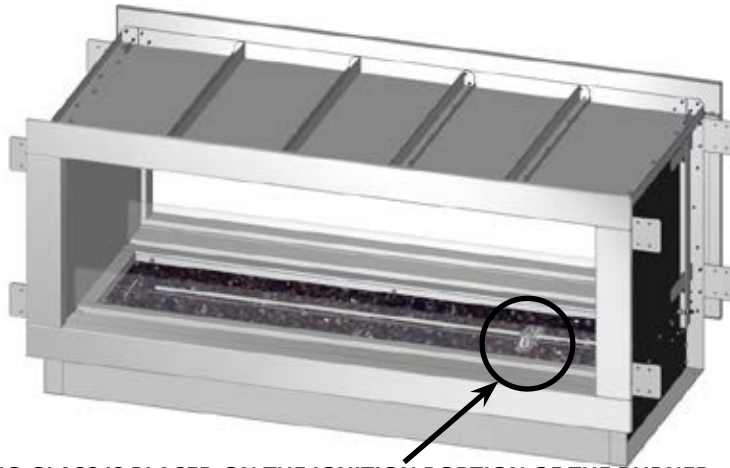
Glass Ember Installation

WARNING! Do not use the appliance without the glass embers in place.

WARNING! Glass embers may have sharp edges, wear safety glasses and gloves when handling. Do not change or substitute the glass ember material provided with this appliance. If replacing, use only replacement glass embers available from your local authorized dealer / distributor.

WARNING! Glass embers may have a fine oil residue that needs to be cleaned prior to installation. Clean the glass with mild dish soap, drain, rinse thoroughly and dry before installing.

1. Carefully pour the glass embers onto the appliance ember tray as shown.
2. Spread the glass embers over the tray and burner. The distribution of clear glass over the burner will influence flame height.
3. The glass embers must cover the mesh area of the burner tray while ensuring no glass is placed on the ignition portion of the burner as illustrated below.



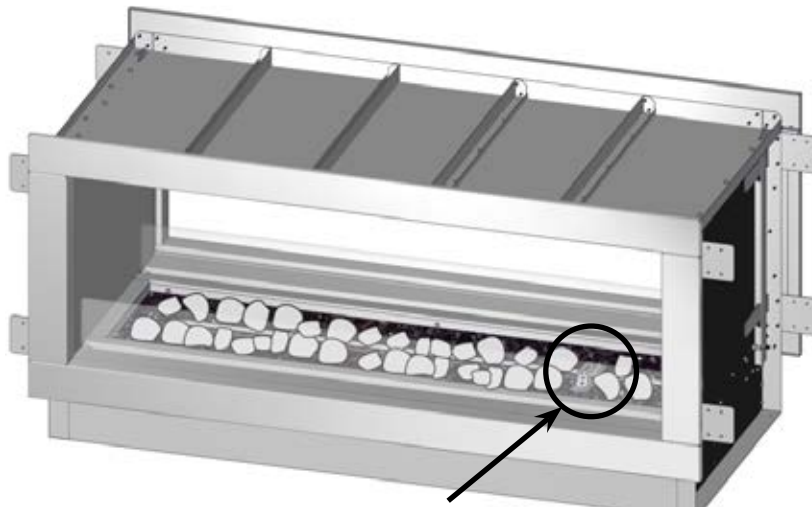
ENSURE NO GLASS IS PLACED ON THE IGNITION PORTION OF THE BURNER, DIFFICULTIES IN LIGHTING MAY RESULT.

MKR Rock Installation (Optional)



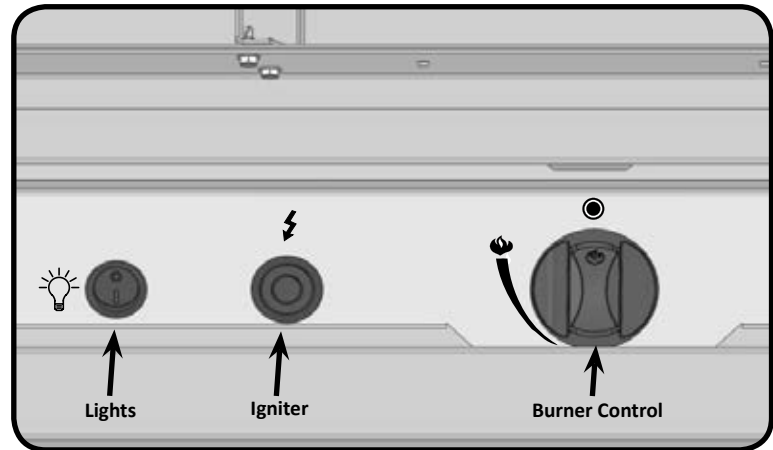
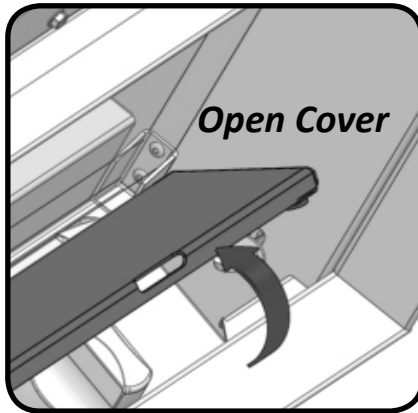
WARNING! Real rocks must not be used in this appliance. Heat will cause them to explode.

Place the refractory rocks on top of the glass ember bed and around the burner tray as desired, making sure not to cover any burner ports or the ignition portion of the burner.



ENSURE NO ROCK IS PLACED ON THE IGNITION PORTION OF THE BURNER, DIFFICULTIES IN LIGHTING MAY RESULT.

Lighting Instructions



WARNING! Keep face and body away from burner area when lighting.

WARNING! Ensure burner controls are in the off position. Slowly turn on the gas supply valve.

1. Press and hold electronic igniter button (⚡).

2. Turn the burner control to the high position, press and hold in. When the burner lights, release the electronic igniter button.

3. Continue to depress the burner control knob for 30 seconds and then release. If the flame goes out, repeat the procedure.

4. Adjust the flame to the desired height with the burner control knob.

5. If the burner will not light with the electronic igniter, hold a lit long match or lit long butane lighter to the ignition area of the burner and continue with step 2.

6. To shut down the burner turn the burner control knob clockwise to the off position. Then turn the gas off at the source (propane cylinder valve or natural gas supply valve).



WARNING! The propane cylinder is equipped with an excess flow device. Unless burners are turned off prior to turning the cylinder on, only small flames and low heat will be achievable.

WARNING! If the burner does not light within 10 seconds, turn the valve off and wait 5 minutes for any gas to dissipate before repeating the procedure.



If lighting the unit with a match, clip the match into the supplied lighting rod.

Operation



WARNING! Never use this appliance for other than the intended use. Do not use this appliance to prepare food.



WARNING! You must have clear and easy access to the on/off valve AFTER the appliance is installed and connected to the gas supply in order to safely turn off the burner.

Initial Lighting: When lit for the first time, the appliance emits a slight odor. This is a normal temporary condition caused by the “burn-in” of internal paints and lubricants used in the manufacturing process and does not occur again. Simply run the main burner on high for approximately one-half hour.



WARNING!

- Children and adults should be alerted to the hazards of high surface temperatures and should stay away from the appliance to avoid burns or clothing ignition.
- Children should be carefully supervised when they are in the area of the appliance.
- Clothing or other flammable materials should not be hung from the appliance, or placed on or near the appliance. The area above the enclosure may be extremely hot. Direct contact with these surfaces should be avoided in order to prevent burns or clothing ignition.
- Any guard or protective device removed for servicing the appliance must be replaced prior to operating the appliance.
- Installation and repair should be done by a qualified service person.
- The appliance should be inspected before each use and at least annually by a qualified service person. More frequent cleaning may be required as necessary. It is imperative that the control compartment, burners and circulating air passageways of the appliance be kept clean.



WARNING!

- Never use the appliance while it is raining.
- Always turn the appliance off when raining.
- Never splash any liquid on the glass / glass embers when the appliance is operating.
- The glass / glass embers will be extremely hot while operating, never try to touch them.
- Always ensure the appliance stands firmly on level ground.
- Never use the appliance if the burner is damaged. Inspect the burner before each use. Ensure that no debris such as leaves; grass or other objects have entered or are on the appliance. If the burner is damaged it must be replaced prior to using the appliance with a replacement burner specified by your Napoleon dealer.
- Inspect the hose assembly before each use. If there is evidence of excessive abrasion or wear, or if the hose is damaged it must be replaced prior to using the appliance with a replacement hose assembly specified by your Napoleon dealer.

NOTE! The appliance has been designed with several safety features, which include a safety valve. If the burner flame is extinguished the appliance will automatically shut down.



WARNING! Any modification to the appliance may compromise the safety of this appliance. Special concern is as follows.

- Do not bypass thermocouple safety.
- Do not operate the appliance if any part has been under water. Immediately call a qualified service technician to inspect the appliance and replace any part of the control system and any gas control, which has been underwater.

LED Lights: Your appliance has been equipped with a LED (light) strip which is programmed with three colour modes. Plug the LED power supply into a GFI protected electrical outlet.

Turn on the light switch located under the access panel and toggle the switch off and on to cycle through to desired Mode.

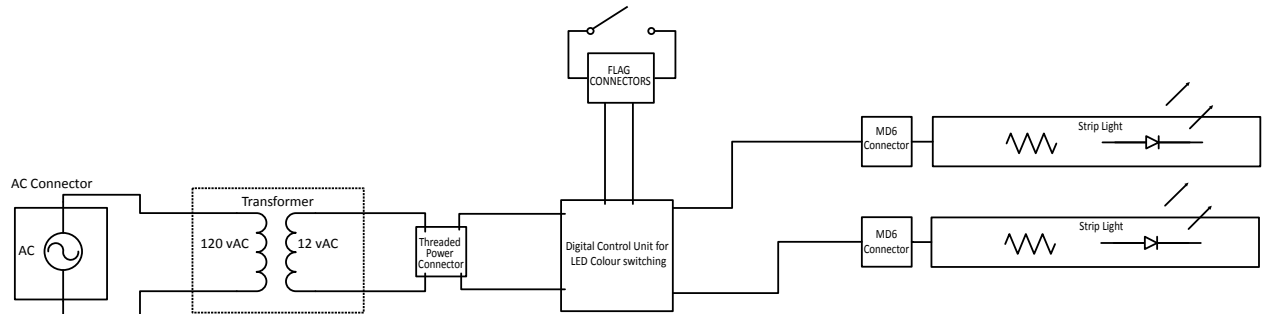
Mode 1 - Simulated White.

Mode 2 - Continuous 2 colour shift. Takes 8-10 seconds to smoothly ramp up one colour to 100%, as the other fades off from 100% to 0. Continually shifts in colour (17 seconds per colour, up and back down.)

Mode 3 - Freeze Mode Colour stops the colour shift on whichever colour it was on in Mode 2 at the time it was turned off, does not continue to shift.



NOTE! Switch off for 10 seconds to reset to beginning colour mode.



Maintenance / Cleaning Instructions



WARNING! Glass embers may have sharp edges, wear safety glasses and gloves when handling. Do not change or substitute the glass ember material provided with this appliance. If replacing, use only replacement glass embers available from your local authorized dealer / distributor.



WARNING! To avoid the possibility of burns, maintenance should be done only when the appliance is cool. Avoid unprotected contact with hot surfaces. Ensure burner is turned off. Turn gas off at source and disconnect the appliance before servicing. Clean the appliance in an area where cleaning solutions will not harm decks, lawns, or patios. Do not use flammable, corrosive or abrasive cleaners.



Note: Stainless steel tends to oxidize or stain in the presence of chlorides and sulfides, particularly in coastal areas and other harsh environments, such as the warm, highly humid atmosphere around pools and hot tubs. These stains could be perceived as rust, but can be easily removed or prevented. To provide stain prevention and removal, wash all stainless steel surfaces every 3-4 weeks or as often as required with fresh water and/or stainless steel cleaner.

Control Panel: The control panel text is printed directly on the stainless steel and with proper maintenance will remain dark and legible. To clean the panel, use only warm soapy water or stainless steel cleaner available from your Napoleon dealer. Never apply abrasive cleaners on any stainless surfaces, especially the printed portion of the control panel or the printing will gradually rub off.



WARNING! Hose: Check for abrasions, melting, cuts, and cracks in the hose. If any of these conditions exist, do not use the appliance. Have the part replaced by your Napoleon dealer or qualified gas installer.

Cleaning Inside The Appliance: While washing your appliance, be sure to keep the area around the burner and pilot assembly dry at all times.



WARNING! If the gas control is exposed to water in any way, DO NOT try to use the appliance. The gas control must be replaced.



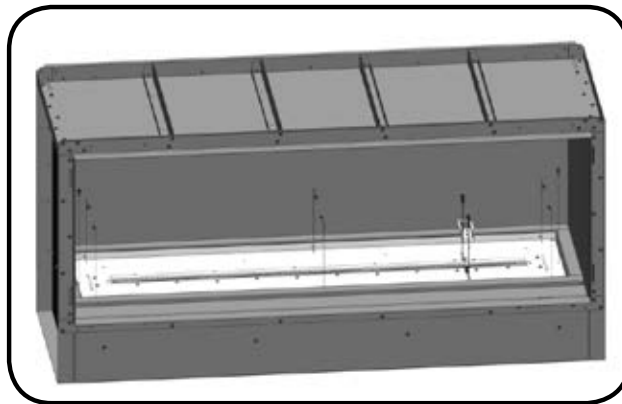
Burner: The burner is made from heavy wall 304 stainless steel, but extreme heat and a corrosive environment can cause surface corrosion to occur. This can be removed with a brass wire brush. Inspect the burner at least annually for cracks, insect nests, excessive corrosion or any other damage. If the burner is damaged, it must be replaced with a burner specified by the manufacturer before the appliance is put into operation.

CAUTION! Beware of Spiders.

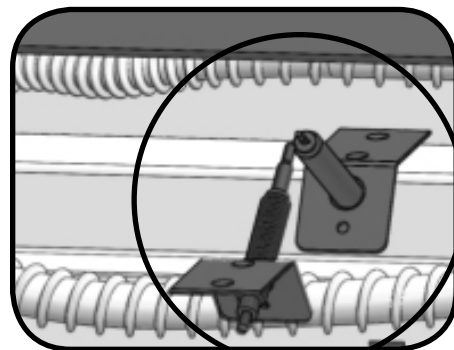
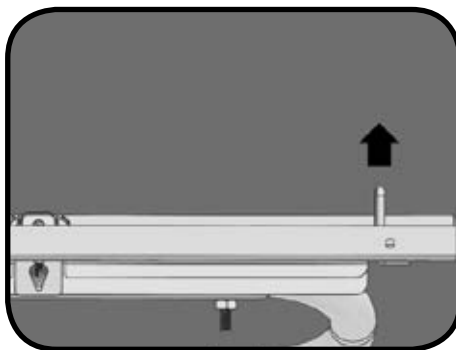
Spiders and insects are attracted to the smell of propane and natural gas. The burner is equipped with an insect screen on the air shutter, which reduces the likelihood of insects building nests inside the burner but does not entirely eliminate the problem. A nest or web can cause the burner to burn with a soft yellow or orange flame or cause a fire (flashback) at the air shutter underneath the control panel. Other warning signs that may indicate a problem are:

- Strong or unusual odor coming from the appliance.
- Continued difficulty or delayed ignition.
- Flame appears either very short or very long.
- Flame only burns part way across the burner.
- Excessive soot building up on the glass embers.

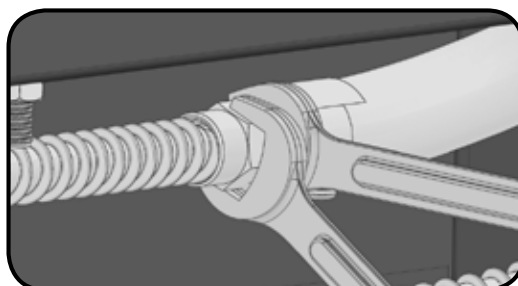
To clean the inside of the burner, it must be removed from the appliance: Remove the front glass shield and the glass embers and examine the burner. If dirty, clean with a wire brush. Remove the screws that attach the glass ember tray and the wind shield. **Cleaning:** Use a flexible venturi tube brush to clean the inside of the burner. Shake any loose debris from the burner through the gas inlet. Check the burner ports and valve orifices for blockages. Burner ports can close over time due to debris and corrosion, use an opened paperclip or a drill bit to clean them. The ports are easier to clean if the burner is removed from the appliance, but it can also be done with the burner installed.



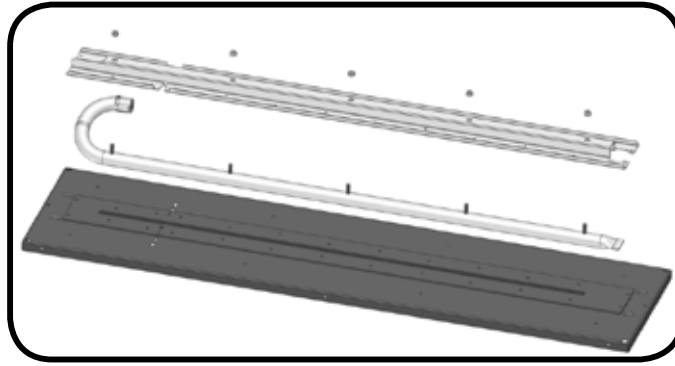
Lift the glass tray from the fireplace, pushing from the top, disengage the thermocouple and igniter from the glass tray.



Remove the flex hose and the orifice from the burner and completely remove the glass tray from the fireplace.

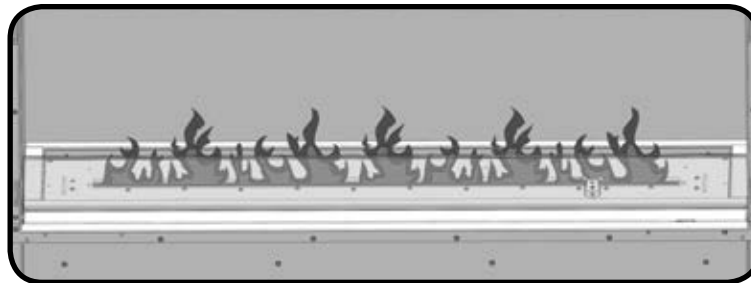


Once the glass tray is removed from the fireplace flip the glass tray upside down and remove the nuts from the bottom of the burner.

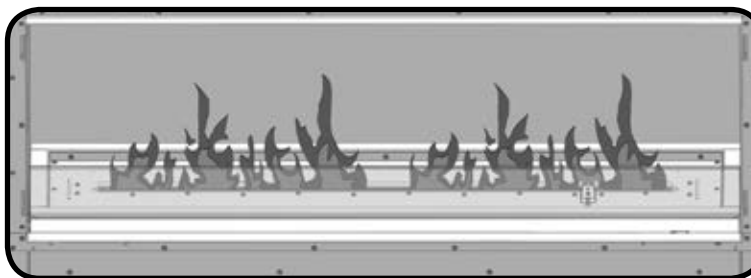


Reinstallation: Reverse the procedure to reinstall the burner ensuring that the holes on the gasket between the burner bracket and glass tray are lined up during re-assembly. Check that the orifice enters the burner when installing. Replace the glass embers and the front glass shield. When the appliance is put back in service, check the burner flame pattern with the image below.

NORMAL



ABNORMAL



Cleaning The Outer Appliance Surface: Do not use abrasive cleaners or steel wool on any painted, or stainless steel parts of your Napoleon Appliance. Doing so will scratch the finish. Exterior surfaces should be cleaned with warm soapy water. To clean stainless surfaces, use a stainless steel or a non-abrasive cleaner. Always wipe in the direction of the grain. Over time, stainless steel parts discolor when heated, usually to a golden or brown hue. This discoloration is normal and does not affect the performance of the appliance



WARNING! The appliance area must be clear and free from combustible materials, gasoline and other flammable vapors and liquids. Do not obstruct the flow of combustion and ventilation air. Keep the ventilation opening of the cylinder enclosure free and clear of debris.

Troubleshooting

Problem	Possible Causes	Solution
Low heat / Low flame when valve turned to high.	For propane - improper lighting procedure. For natural gas - undersized supply line.	Ensure lighting procedure is followed carefully. The valve must be in the off position when the tank valve is turned on. Turn tank on slowly to allow pressure to equalize. See lighting instructions. Pipe must be sized according to installation code.
Burners burn with yellow flame, accompanied by the smell of gas.	Possible spider web or other debris.	Thoroughly clean burner venturi. See general maintenance instructions.
Burner will not light with the igniter, but will light with a match.	Dead battery / or installed incorrectly. Loose electrode wire or switch terminal wires. Improper gap at electrode tip.	Replace with heavy duty battery. Check that electrode wire is firmly pushed onto the terminal on the back of the igniter. Check that the lead wires from the module to the ignition switch (if equipped) are firmly pushed onto their respective terminals. The gap can be adjusted by bending the tip in or out. Until a spark is achieved.
Burner will not stay lit when control knob is released.	Knob not being held in long enough. Too windy. Glass or debris in ignition area of the burner preventing thermocouple from being fully engulfed in flame. Dirty thermocouple or thermocouple connection. Faulty thermocouple or valve.	Thermocouple must have time to heat up – hold the knob in for 30 seconds after the burner lights, then release Unit will shut down if winds are greater than 10mph (16km/h). Either locate to different area or use when it is less windy. Ensure there is no glass or other debris in ignition area, and that the small hole below the thermocouple is unobstructed. Clean the thermocouple and clean the connection between the valve and thermocouple. Ensure the connection is properly tightened. Replace thermocouple and / or valve.
Humming regulator.	Normal occurrence on hot days.	This is not a defect. It is caused by internal vibrations in the regulator and does not affect the performance or safety of the gas heater. Humming regulators will not be replaced.
Burner output on “high” setting is too low. (Rumbling noise and fluttering blue flame at burner surface.)	Lack of gas. Supply hose is pinched. Dirty or clogged orifice. Spider webs or other matter in venturi tube. Propane regulator in “low flow” state.	Check gas level in propane cylinder. Reposition supply hose as necessary. Clean burner orifice. Clean out venturi tube. Ensure lighting procedure is followed carefully. All valves must be in the off position when the tank valve is turned on. Turn tank on slowly to allow pressure to equalize. See lighting instructions.

KEEP YOUR RECEIPT AS PROOF OF PURCHASE TO VALIDATE YOUR WARRANTY.

Ordering Replacement Parts

Warranty Information

MODEL: _____

DATE OF PURCHASE: _____

SERIAL NUMBER: _____

(Record information here for easy reference)

Before contacting the Customer Care Department, check the NAC Website for more extensive cleaning, maintenance, troubleshooting and parts replacement instructions at www.napoleongrills.com. Contact the factory directly for replacement parts and warranty claims. Our Customer Care Department is available between 9 AM and 5 PM (Eastern Standard Time) at 1-866-820-8686 or fax at 1-705-727-4282. To process a claim, we must be provided with the following information:

1. Model and serial number of the unit.
2. Part number and description.
3. A concise description of the problem ('broken' is not sufficient).
4. Proof of purchase (photocopy of the invoice).

In some cases the Customer Care Representative could request to have the parts returned to the factory for inspection before providing replacement parts. These parts must be shipped prepaid to the attention of the Customer Care Department with the following information enclosed:

1. Model and serial number of the unit.
2. A concise description of the problem ('broken' is not sufficient).
3. Proof of purchase (photocopy of the invoice).
4. Return Authorization Number - provided by the Customer Care Representative.

Before contacting customer care, please note that the following items are not covered by the warranty:

- Costs for transportation, brokerage or export duties.
- Labor costs for removal and reinstallation.
- Costs for service calls to diagnose problems.
- Discoloration of stainless steel parts.
- Part failure due to lack of cleaning and maintenance, or use of improper cleaners (oven cleaner).

Parts List

EN

Item	Part #	Description	GSS48
1	n010-0761	base assembly firebox	x
2	n010-0779	tray burner / glass	x
	n300-0002	glass embers - topaz 2 x 7.5lb	x
3	n570-0008	#8 x 1/2" screw	x
4	n570-0020	#8-32x3/8 screw	x
7	n080-0274	bracket electrode - thermocouple	x
8	n680-0001	thermocouple	x
9	n240-0028	electrode c/w lead	x
11	n585-0077	wind shield	x
12	n325-0074	handle glass tray	x
13	n455-0066	orifice natural #25	n
	w455-0076	orifice propane #43	p
14	n720-0062	flex connector 30" X 3/8"	x
15	n725-0049	safety valve	x
	n450-0038	nut safety valve	x
16	n357-0013	igniter 1 spark - AAA 1.5V	x
17	n043-0002	battery, AAA 1.5V	x
18	n660-0002	switch light	x
19	n380-0019r	burner control knob	x
21	n750-0026	led wiring	x
	w160-0095	clip wire	x
22	n510-0002	silicone bumper	x
23	n300-0003	glass tempered	x
24	n665-0012	nailing tab	x
25	n190-0002	controller led	x
26	n720-0044	flex connector 12" X 3/8"	x
27	w445-0031	fitting 3/8" - 1/2"	x
28	n200-0098	cover control panel	x
	n570-0096	thumb screw	x
29	n707-0006	transformer	x
30	n370-0662	trim kit - 1 per side	ac
	w530-0023	regulator hose assembly	ac
	mega	glass embers - amber 1lb	ac
	megb	glass embers - blue 1lb	ac
	megk	glass embers - black 1lb	ac
	megr	glass embers - red 1lb	ac
	mkga	glass embers - amber 6lb	ac
	mkgc	glass embers - clear 6lb	ac
	mkgk	glass embers - black 6lb	ac
	mkgb	glass embers - blue 6lb	ac
	mkgr	glass embers - red 6lb	ac

Parts List

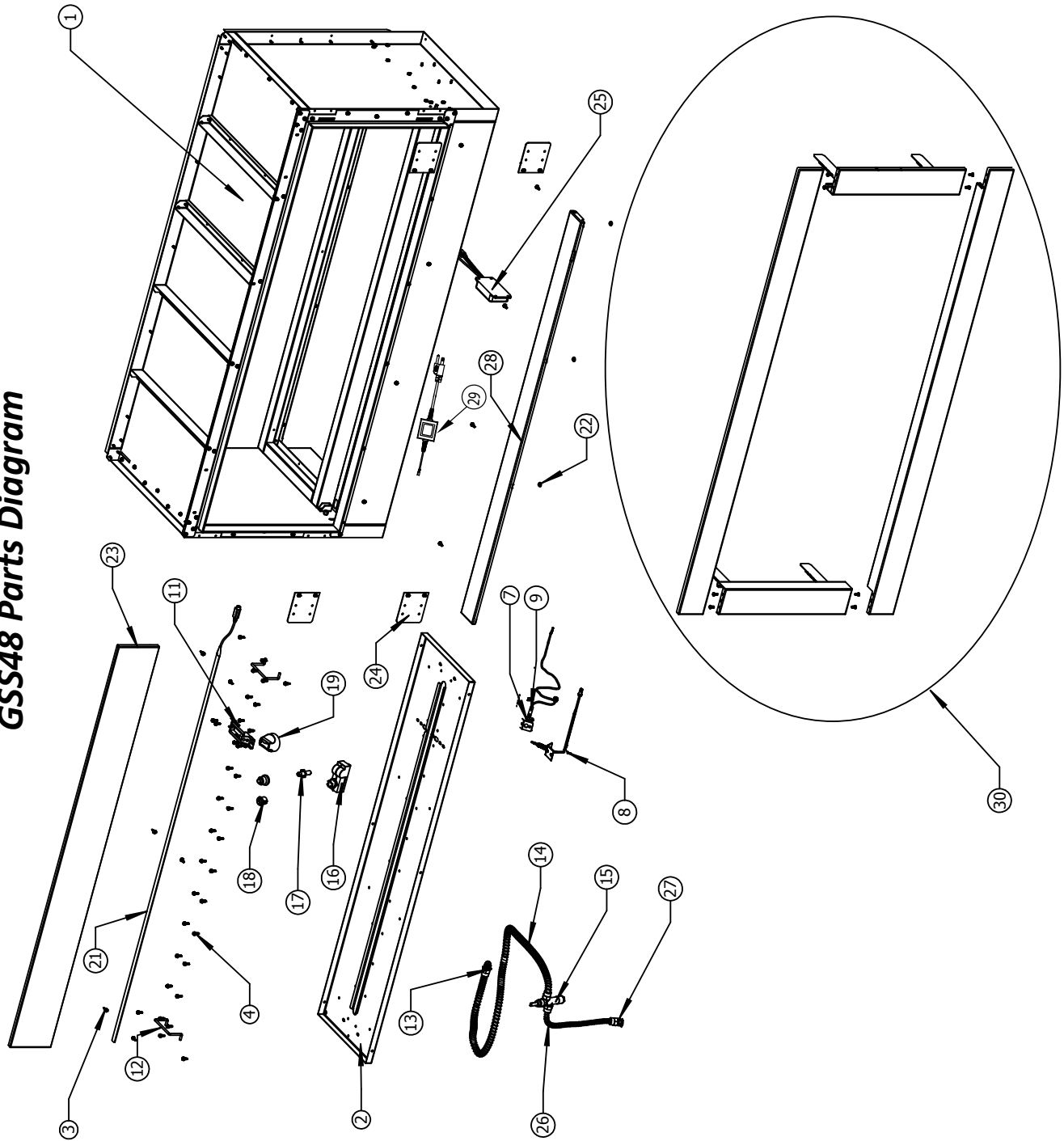
Item	Part #	Description	GSS48
	mkry	grey river rocks	ac
	mkrm	multicoloured river rocks	ac
	dl45	driftwood log set	ac

x - standard
n - natural gas units only

p - propane units only
ac - accessory

EN

GSS48 Parts Diagram



Parts List

Item	Part #	Description	GSS48ST
1	n010-0762	base assembly firebox	x
2	n010-0779	tray burner / glass	x
	n300-0002	glass embers - topaz 2 x 7.5lb	x
3	n570-0008	#8 x 1/2" screw	x
4	n570-0020	#8-32x3/8 screw	x
7	n080-0274	bracket electrode - thermocouple	x
8	n680-0001	thermocouple	x
9	n240-0028	electrode c/w lead	x
11	n585-0077	wind shield	x
12	n325-0074	handle glass tray	x
13	n455-0066	orifice natural #25	n
	w455-0076	orifice propane #43	p
14	n720-0062	flex connector 30" X 3/8"	x
15	n725-0049	safety valve	x
	n450-0038	nut safety valve	x
16	n357-0013	igniter 1 spark - AAA 1.5V	x
17	n043-0002	battery, AAA 1.5V	x
18	n660-0002	switch light	x
19	n380-0019r	burner control knob	x
21	n750-0026	led wiring	x
	w160-0095	clip wire	x
22	n510-0002	silicone bumper	x
23	n300-0003	glass tempered	x
24	n665-0012	nailing tab	x
25	n190-0002	controller led	x
26	n720-0044	flex connector 12" X 3/8"	x
27	w445-0031	fitting 3/8" - 1/2"	x
28	n200-0098	cover control panel	x
	n570-0096	thumb screw	x
29	n707-0006	transformer	x
30	lt48ss	trim kit - 1 per side	ac
	gss48cov	stainless steel cover	ac
	w530-0023	regulator hose assembly	ac
	mega	glass embers - amber 1lb	ac
	megb	glass embers - blue 1lb	ac
	megk	glass embers - black 1lb	ac
	megr	glass embers - red 1lb	ac
	mkga	glass embers - amber 6lb	ac
	mkgc	glass embers - clear 6lb	ac
	mkgk	glass embers - black 6lb	ac
	mkgb	glass embers - blue 6lb	ac

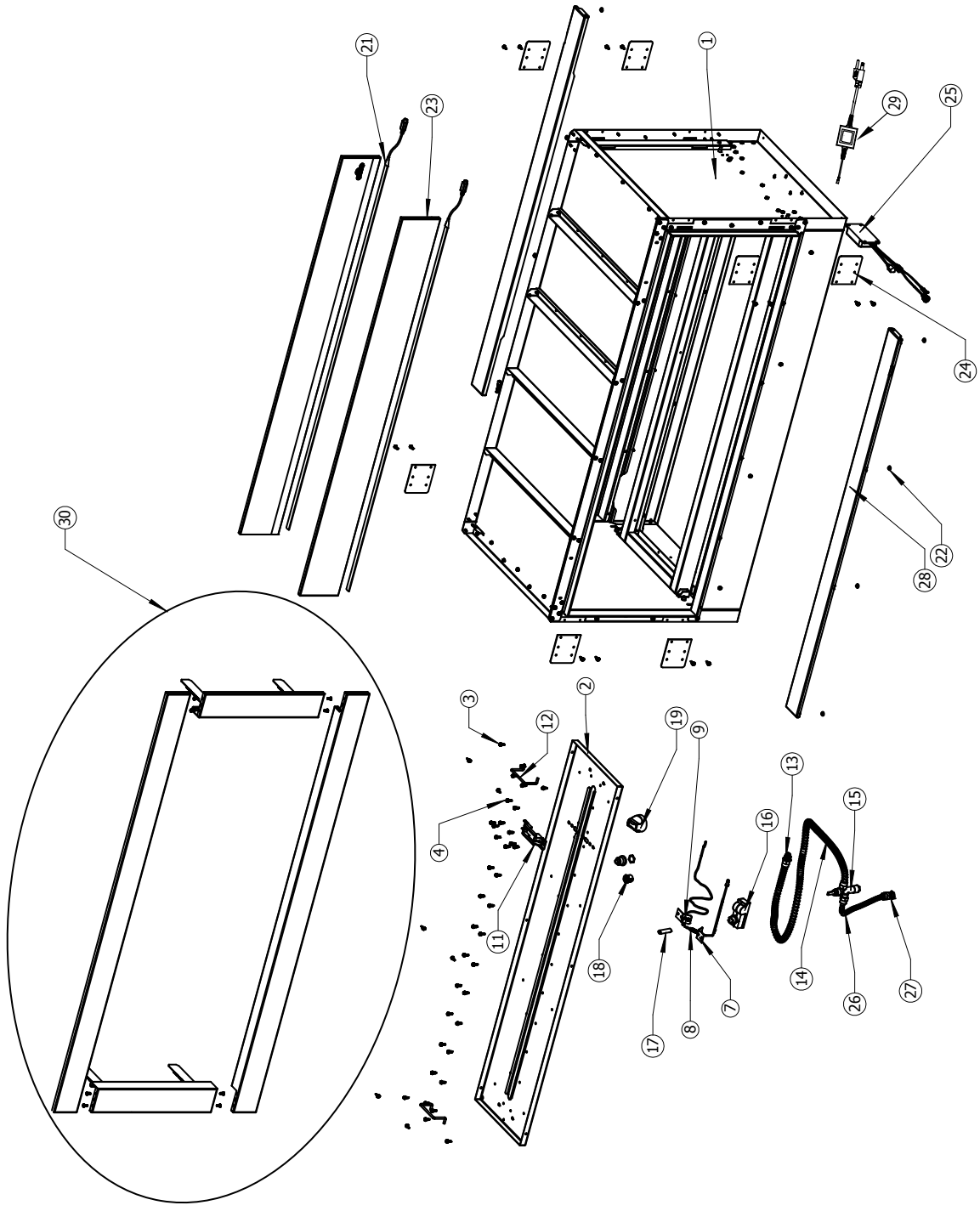
Parts List

Item	Part #	Description	GSS48ST
	mkgr	glass embers - red 6lb	ac
	mkry	grey river rocks	ac
	mkrm	multicoloured river rocks	ac
	dl45	driftwood log set	ac

x - standard
n - natural gas units only

p - propane units only
ac - accessory

GSS48ST Parts Diagram





FAX TO: 705 727 4282

ACCESSORIES & PARTS ORDER FORM

PLEASE PRINT CLEARLY

CONTACT NAME: _____

SHIP TO : _____

TEL : _____ FAX : _____

EMAIL: _____

VISA OR MASTERCARD # : _____ EXPIRY DATE: _____

SIGNATURE: _____

QUANTITY	PART NUMBER	DESCRIPTION

TAXES MAY APPLY
SHIPPING EXTRA

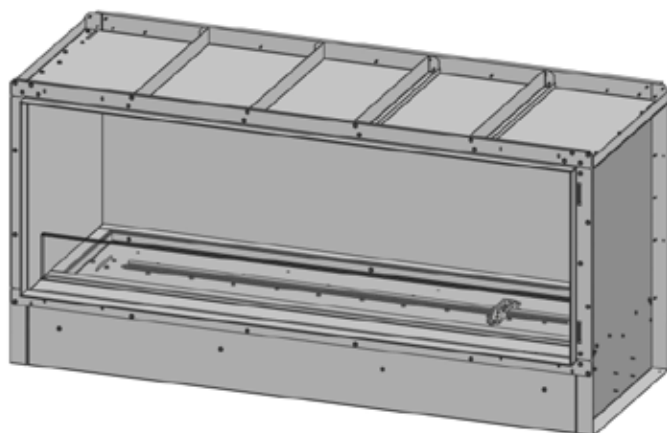
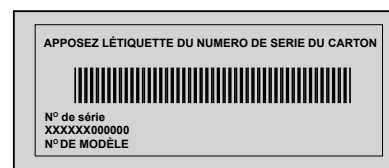
IF CONFIRMATION IS REQUIRED PLEASE INCLUDE A FAX NUMBER OR EMAIL ADDRESS

NOTES

EN

NOTES

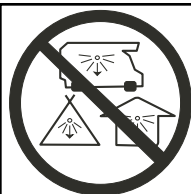
EN



FR

FOYERS EXTÉRIEURS AU GAZ GSS48 / GSS48ST

REMARQUE! Les directives concernant les lumières DEL se trouvent à la page 59.



DANGER! RISQUE D'EMPOISONNEMENT AU MONOXYDE DE CARBONE

Cet appareil peut produire du monoxyde de carbone, un gaz inodore. L'utilisation de ce gaz dans un espace clos peut être mortelle. Ne jamais utiliser cet appareil dans un espace clos comme une caravane, une tente, une automobile ou une maison.



DANGER

SI VOUS DÉTECTEZ UNE ODEUR DE GAZ :

- Fermez l'alimentation en gaz à l'appareil.
- Éteignez toute flamme nue.
- Si l'odeur persiste, éloignez-vous de l'appareil et appelez immédiatement votre fournisseur de gaz ou le service des incendies.



AVERTISSEMENT! Pour usage extérieur seulement.



AVERTISSEMENT

Ne tentez pas d'allumer cet appareil avant d'avoir lu la section "INSTRUCTIONS D'ALLUMAGE" de ce manuel. Pour votre sécurité n'entrez pas et n'utilisez pas d'essence ou autres liquides et vapeurs inflammables à proximité de cet ou tout autre appareil. Une bonbonne de propane non branchée ne devrait pas être entreposée à proximité de cet ou de tout autre appareil. Si ces instructions ne sont pas suivies à la lettre, un feu ou une explosion pourraient s'ensuivre, causant des dommages à la propriété, des blessures corporelles ou des pertes de vie.



AVERTISSEMENT!

- La vitre chaude causera des brûlures.
- Ne pas toucher la vitre avant qu'elle ait refroidi.
- Ne jamais laisser les enfants toucher la vitre.

INSTALLATEUR : LAISSEZ CE MANUEL AVEC L'APPAREIL.

PROPRIÉTAIRE : CONSERVEZ CE MANUEL POUR CONSULTATION ULTÉRIEURE.

Les produits NAPOLÉON® sont conçus avec des composants et des matériaux de qualité supérieure, assemblés par des artisans qualifiés qui sont fiers de leur travail. Chaque composant de l'appareil a été soigneusement inspecté par un technicien qualifié avant d'être emballé et expédié pour garantir que vous, le client, recevez le produit de qualité dont vous vous attendez de NAPOLÉON®.

Appareil au gaz Napoléon® - Garantie limitée de 5 ans

Tous les composants en acier inoxydable (à l'exception du grillage du brûleur) de votre nouvel appareil au gaz NAPOLÉON® sont garantis contre les défauts pour une période de cinq ans.

Les pièces telles que les soupapes de gaz, les thermocouples, les allumeurs, les bûches, les braises de verre et les joints d'étanchéité sont couvertes. NAPOLÉON® fournira gratuitement les pièces de rechange durant la première année de la garantie limitée.

NAPOLÉON ne sera pas responsable des frais de transport, des coûts de main-d'œuvre ni des droits d'exportation.

Conditions et Limitations

NAPOLÉON® garantit ses produits contre les défauts de fabrication à l'acheteur d'origine seulement. L'enregistrement de la garantie n'est pas nécessaire. Fournissez simplement une preuve d'achat ainsi que le modèle et le numéro de série afin d'effectuer une réclamation de garantie. NAPOLÉON® se réserve le droit de demander à son représentant d'inspecter tous produits ou pièces avant d'honorer toute réclamation. L'achat doit avoir été fait par l'entremise d'un détaillant NAPOLÉON® autorisé et sous réserve des conditions et limitations suivantes :

Cette garantie limitée s'applique seulement lorsque l'appareil demeure à l'endroit d'installation d'origine et seulement si l'appareil est installé au Canada ou aux États-Unis.

Cette garantie du fabricant n'est pas transférable et ne peut être étendue par aucun de nos représentants quelle qu'en soit la raison.

L'installation doit être faite conformément aux instructions d'installation incluses avec le produit et à tous les codes d'incendie et du bâtiment locaux et nationaux.

Cette garantie limitée ne couvre pas les dommages causés par un mauvais usage, un manque d'entretien, un accident, des altérations, des abus ou de la négligence, et l'installation de pièces d'autres fabricants annulera cette garantie.

Cette garantie limitée ne couvre pas non plus les égratignures, les bossellements, la corrosion ou la décoloration causée par une chaleur excessive, des produits d'entretien chimiques et abrasifs, le bris par manipulation des bûches et des braises.

Au cours de la première année seulement, cette garantie s'étend à la réparation ou au remplacement des pièces garanties dont les matériaux ou la fabrication sont défectueux sous condition que le produit ait été utilisé conformément aux instructions de fonctionnement et dans des conditions normales.

Après la première année, concernant cette Garantie Limitée, NAPOLÉON® peut, à sa discrétion, se décharger entièrement de toutes obligations concernant cette garantie en remboursant à l'acheteur d'origine le prix de gros de toute pièce garantie mais défectueuse.

Après la première année, NAPOLÉON® ne sera pas responsable de l'installation, de la main-d'œuvre ou autres coûts ou dépenses relatives à la réinstallation d'une pièce garantie, et de telles dépenses ne sont pas couvertes par cette garantie.

Nonobstant toutes les dispositions contenues dans cette Garantie Limitée, la responsabilité de NAPOLÉON® sous cette garantie est définie comme ci-dessus et elle ne s'étendra à aucun dommage accidentel, consécutif ou indirect.

Cette garantie définit l'obligation et la responsabilité de NAPOLÉON® concernant l'appareil au gaz NAPOLÉON® et toutes autres garanties exprimées ou implicites concernant ce produit, ses composants ou accessoires sont exclus.

Cette garantie limitée ne couvre pas les dommages causés par l'utilisation de composants qui ne sont pas fournis avec l'appareil, ou l'utilisation d'un combustible autre que celui spécifié.

Tous dommages causés à l'appareil par les intempéries, de longues périodes d'humidité, la condensation, les produits chimiques ou produits d'entretien nuisibles ne seront pas la responsabilité de NAPOLÉON®.

La facture ou sa copie sera requise ainsi qu'un numéro de série et un numéro de modèle lors d'une réclamation auprès de votre représentant autorisé. La carte d'enregistrement de garantie doit être retournée dans les quatorze jours pour enregistrer la garantie.

NAPOLÉON® se réserve le droit de demander à son représentant d'inspecter tout produit ou pièce avant d'honorer toute réclamation.



AVERTISSEMENT! Pour usage extérieur seulement.

AVERTISSEMENT! Une installation non conforme, des ajustements, des altérations, un service ou un entretien inadéquats peuvent causer des dommages matériels. Lisez attentivement toutes les instructions d'installation, d'opération et d'entretien avant d'installer ou d'effectuer un travail d'entretien sur ce l'appareil au gaz.

Pratiques Sécuritaires D'utilisation

- **CET APPAREIL EST CHAUD LORSQU'IL FONCTIONNE ET PEUT CAUSER DE GRAVES BRÛLURES EN CAS DE CONTACT.**
- **L'installation et les réparations doivent être effectuées par un technicien de service qualifié. Cet appareil doit être inspecté avant la première utilisation et au moins une fois l'an par un technicien de service qualifié. Un entretien plus fréquent pourrait être nécessaire. Il est primordial de garder propres le compartiment de contrôle, les brûleurs et les passages d'approvisionnement d'air de l'appareil.**
- Ne faites pas fonctionner l'appareil avant d'avoir lu et compris les instructions d'opération. Omettre d'utiliser l'appareil selon les instructions d'opération pourrait causer un incendie ou des blessures.
- Risque de brûlures. L'appareil doit être éteint et refroidi avant d'effectuer un entretien.
- N'installez pas de composants endommagés ou incomplets ni des composants substitués.
- **Les jeunes enfants doivent être supervisés attentivement lorsqu'ils sont dans la même pièce que l'appareil. Les jeunes enfants et autres personnes sont sujets aux brûlures accidentelles. Une barrière de protection est recommandée si des individus à risque se trouvent dans la maison. Afin de restreindre l'accès à l'appareil, installez une barrière de protection ajustable pour garder les jeunes enfants ou autres personnes à risque hors de la pièce et loin des surfaces chaudes.**
- Assurez-vous de disposer de mesures de sécurité adéquates pour empêcher les jeunes enfants de toucher aux surfaces chaudes.
- Cet appareil ne devra être modifié en aucun cas.
- Gardez les matériaux d'emballage hors de la portée des enfants et mettez ces matériaux au rebut de façon sécuritaire. Comme tous les emballages de plastique, ceux-ci ne sont pas des jouets et doivent demeurer hors de la portée des enfants et des bébés.
- Ne laissez pas l'appareil sans surveillance lorsqu'il est allumé.
- Pour usage extérieur seulement.
- N'utilisez pas cet appareil pour la cuisson.
- Cet appareil n'est pas conçu pour fonctionner avec un combustible solide.
- Une installation non conforme, des ajustements, des altérations, un service ou un entretien inadéquats peuvent causer des dommages matériels ou des blessures corporelles. Lisez attentivement toutes les instructions d'installation, d'opération et d'entretien avant d'installer ou d'effectuer un travail d'entretien sur cet appareil.
- Cet appareil doit être utilisé **UNIQUEMENT** à l'extérieur, dans un endroit bien aéré et ne doit **JAMAIS** être utilisé à l'intérieur d'un bâtiment, d'un garage ou de tout autre endroit fermé.
- Les réservoirs doivent être entreposés à l'extérieur dans un endroit bien aéré, hors de la portée des enfants. Les réservoirs non branchés doivent être munis de bouchons de soupape filetés solidement fixés et ne doivent pas être entreposés à l'intérieur d'un bâtiment, d'un garage ou de tout autre endroit fermé.
- L'entreposage de cet appareil à l'intérieur est permis seulement s'il est débranché de sa source d'alimentation en gaz (ligne de gaz naturel ou réservoir de propane).
- Si le tuyau présente des signes évidents d'usure, de coupures, de craquelures ou qu'il est fendu, vous devez le remplacer avant d'utiliser l'appareil à nouveau.
- Les vêtements et autres matériaux combustibles ne doivent pas être suspendus à l'appareil, ni posés sur ou près de l'appareil.
- Les écrans et les dispositifs de protection enlevés pour faire l'entretien devront être remis en place avant d'utiliser l'appareil.
- **Inspectez le tuyau d'alimentation en gaz pour des signes de fuites (incluant le tuyau pour les modèles au propane) avant chaque utilisation de l'appareil.**
- **Le régulateur de pression et les tuyaux fournis avec les modèles au propane doivent être utilisés. Les régulateurs de pression et les tuyaux de rechange doivent être ceux spécifiés dans ce manuel.**
- Les bonbonnes PL utilisées avec les modèles au propane doivent être fabriquées et étiquetées selon les normes pour les bonbonnes de propane de la Commission canadienne des transports (CCT) ou le US Department of Transportation (DOT).
- Le système d'alimentation de la bonbonne de propane doit être installé de manière à permettre l'évacuation des vapeurs.
- La bonbonne de propane doit avoir un collet pour protéger la soupape de la bonbonne.
- Lorsqu'un appareil au propane n'est pas utilisé, vous devez fermer l'alimentation en gaz sur la bonbonne de propane.
- Pour prolonger la durée de vie de votre appareil, protégez-le des éléments en le recouvrant lorsqu'il n'est pas utilisé.
- Ce produit doit être installé par un plombier certifié ou un installateur pour le gaz lorsque installé dans le Commonwealth du Massachusetts.



ATTENTION! Lors du déballage et de l'assemblage, nous vous conseillons de porter des gants de travail et des lunettes de sécurité pour votre protection. Malgré tous nos efforts pour assurer que l'assemblage soit aussi sécuritaire et sans problème que possible, il se peut que les bords et les coins des pièces usinées en acier soient coupants et qu'ils causent des coupures si les pièces ne sont pas manipulées correctement.

Pour commencer

1. Retirez toutes les pièces de l'emballage. Référez-vous à la liste des pièces pour vérifier que toutes les pièces nécessaires sont incluses.
2. Ne détruisez pas l'emballage avant d'avoir installé le appareil et de vous être assuré qu'il fonctionne de façon satisfaisante.
3. Choisissez un emplacement correspondant au dégagement minimal aux matériaux combustibles décrit dans du manuel. Vous devez vous assurer d'avoir un accès facile et sans obstruction à la soupape marche/arrêt **APRÈS** que l'appareil ait été installé et branché à l'alimentation en gaz afin de pouvoir éteindre le brûleur en toute sécurité.
4. **La plupart des pièces en acier inoxydable sont protégées par une pellicule de plastique que vous devez enlever avant d'utiliser le appareil.**
5. Lisez ce manuel avant d'installer le appareil ou d'effectuer son entretien et respectez toutes les consignes qu'il contient.



Si vous avez des questions à propos de l'assemblage ou du fonctionnement du appareil, ou si des pièces sont endommagées ou manquantes, veuillez communiquer avec le service aux consommateurs au 1-866-820-8686 entre 9 h et 17 h (heure normale de l'Est).



AVERTISSEMENT! Cet appareil est conçu pour les contours incombustibles seulement et doit être ins-tallé et entretenu par un installateur qualifié conformément aux codes locaux.

Information Générale

Cet appareil au gaz a été testé et homologué selon les normes nationales canadiennes et américaines ANSI Z21.97-2012/CSA 2.41-2012 pour les appareils au gaz décoratifs extérieurs, et CGA 2.17-M91 (R2009) « Appareil au gaz pour utilisation à haute altitude » par OMNI-Test Laboratories. Lorsqu'un appareil doit être connecté à un système d'approvisionnement fixe, l'installation doit être conforme aux normes locales ou, en l'absence de normes locales, selon le National Fuel Gas Code ANSI Z233.1/NFPA 54, le Code international sur le gaz combustible, le Code d'installation du gaz naturel et du propane CSA B149.1 ou le Code sur le stockage et la manipulation du propane B149.2, selon le cas.

Une fois installé, l'appareil doit être mis à la terre conformément aux normes locales ou, en l'absence de normes locales, au National Electrical Code ANSI/NFPA 70 ou au Code canadien de l'électricité, CSA C22.1. Cet appareil devrait être installé et entretenu par un installateur qualifié en se conformant aux codes locaux. Les pratiques d'installation peuvent varier d'une région à l'autre. Il est donc important de connaître les normes spécifiques qui s'appliquent à votre région. Par exemple dans l'État du Massachusetts :

- La soupape d'arrêt doit être un robinet à gaz avec une poignée en T.
- Le raccord flexible ne doit pas mesurer plus que 36 pouces.

La soupape de l'appareil doit être débranchée de la ligne d'alimentation en gaz pendant les essais de pression de ce système lorsque les pressions d'essai excèdent $1/2 \text{ lb/po}^2$ (3,5 kPa). L'appareil doit être séparé de la ligne d'alimentation en gaz en fermant la soupape de sectionnement manuelle pendant tout essai de pression du système d'alimentation en gaz lorsque la pression est de $1/2 \text{ lb/po}^2$ (3,5 kPa), ou moins.

- Gardez l'endroit autour de l'appareil libre de matériaux combustibles, d'essence ou autres liquides et vapeurs inflammables en tout temps.
- N'installez pas l'appareil dans un endroit où il peut se faire mouiller de façon excessive.
- N'utilisez pas cet appareil si une partie quelconque a été submergée. Contactez immédiatement un technicien qualifié pour l'inspecter et pour remplacer toute pièce du système de contrôle et du contrôle du gaz qui aurait été submergée.

**NATIONAL
FIREPLACE
INSTITUTE**



CERTIFIED
www.nficertified.org

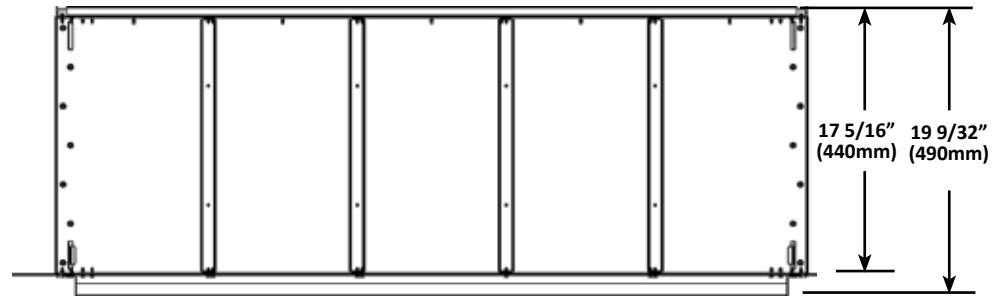
Nous suggérons que nos appareils au gaz soient installés et que l'entretien soit effectué par des professionnels certifiés par le National Fireplace Institute® (NFI) comme spécialiste du gaz NFI.

DÉBIT				
MODÈLE	COMBUSTIBLE	GRANDEUR DES ORIFICES	DÉBIT MAX. Btu/h	PRESSIONS D'ALIMENTATION EN GAZ
GPFN	Gaz naturel	#25	55 000	7,0" c.e.
GFPF	Propane	#43	55 000	11,0" c.e.

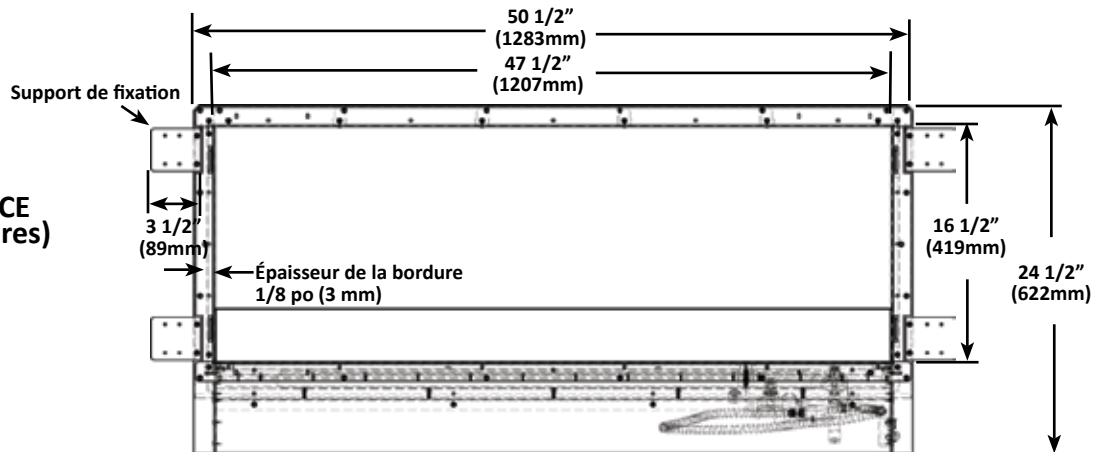
Dimensions

GSS48

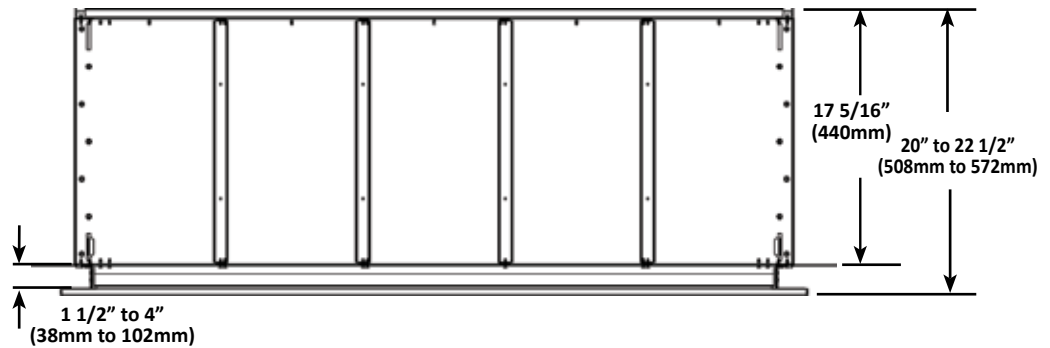
VUE DE DESSUS
(sans moulures)



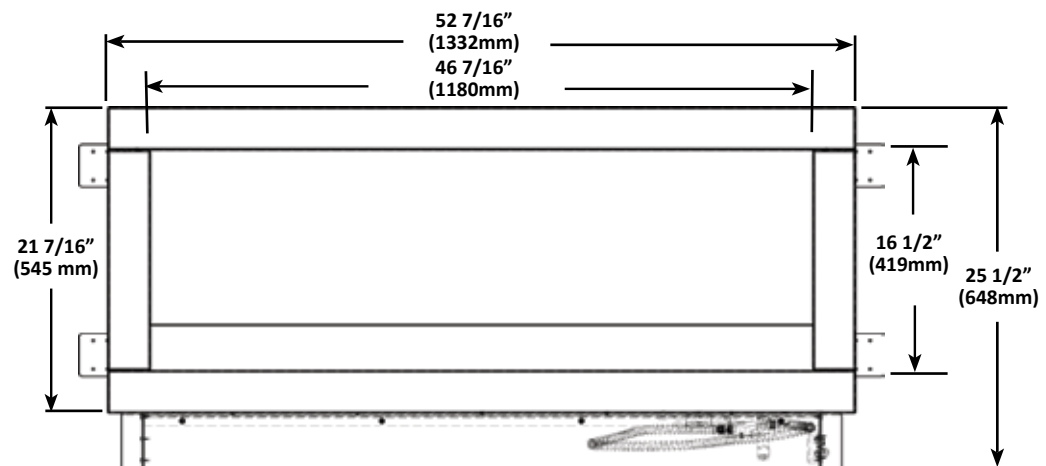
VUE DE FACE
(sans moulures)



VUE DE DESSUS
(avec moulures)



VUE DE FACE
(avec moulures)



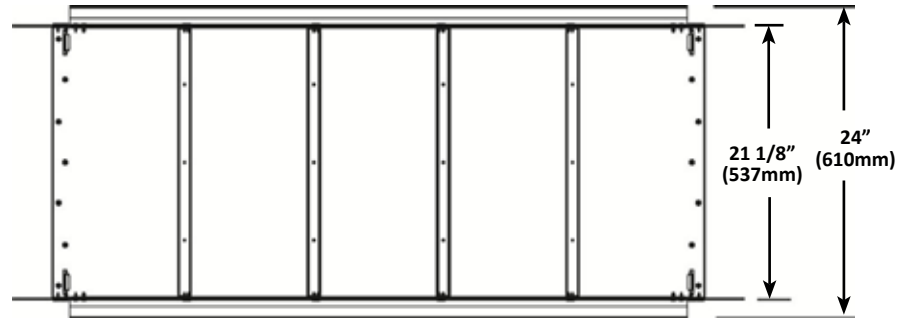
FR

Dimensions

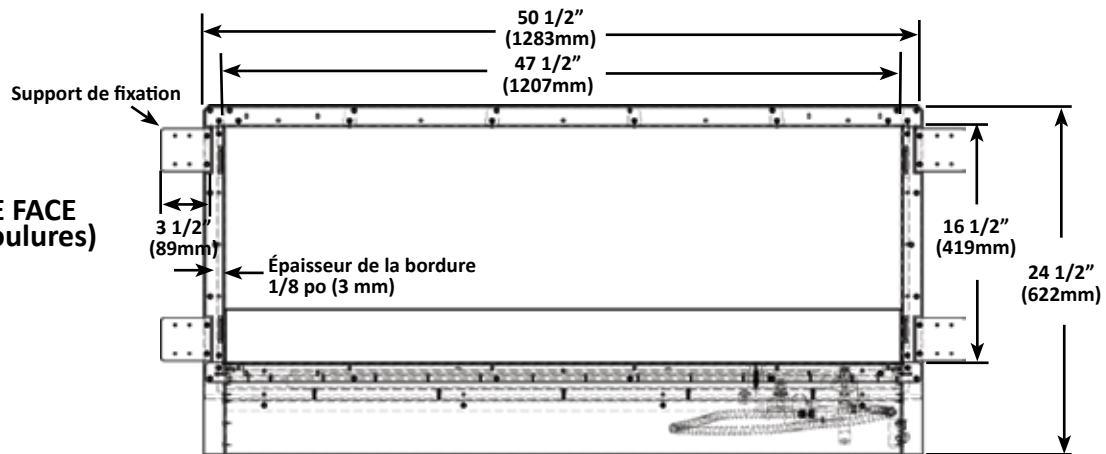
GSS48ST

FR

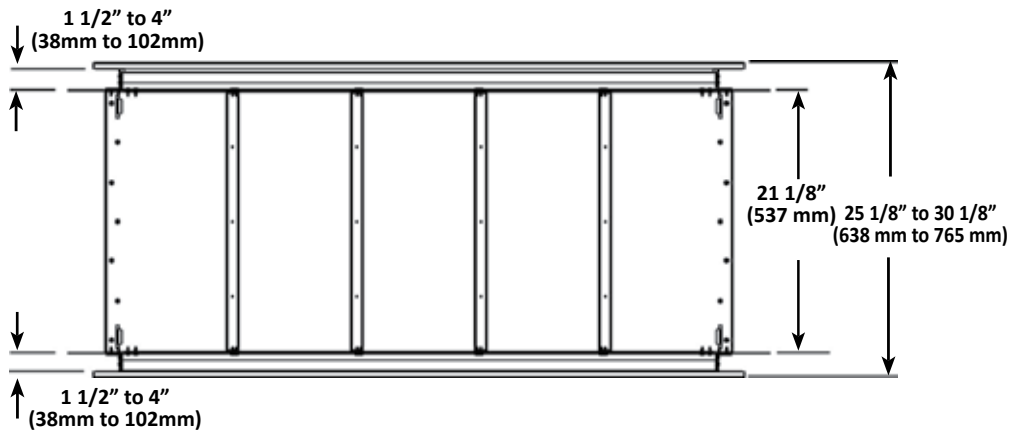
VUE DE DESSUS
(sans moulures)



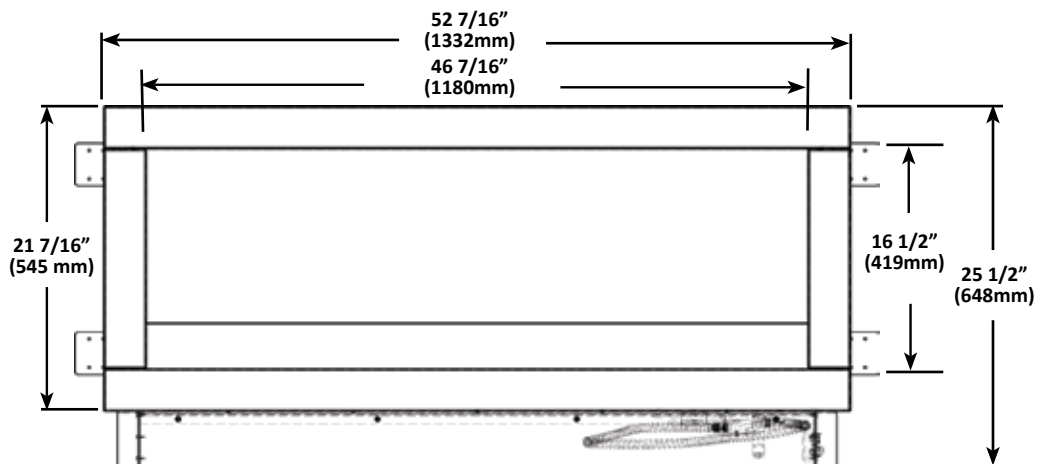
VUE DE FACE
(sans moulures)



VUE DE DESSUS
(avec moulures)



VUE DE FACE
(avec moulures)



Emplacement

Emplacement de votre foyer extérieur

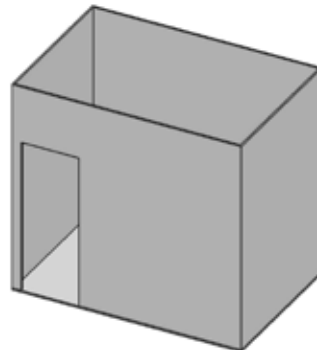
Lors du choix d'un emplacement pour votre foyer, il est important d'assurer que le dégagement près des matériaux combustibles adjacents est respecté. Cet appareil est conçu pour être installé sur votre terrasse ou dans votre cour arrière. Il est fortement recommandé que cet appareil soit installé dans un endroit couvert (selon les directives énoncées ci-dessous).

Un vent direct provoquera une flamme irrégulière et possiblement une panne de veilleuse ou de brûleur. Une flamme irrégulière pourrait également entraîner des dépôts de carbone excessifs (suie noire); cela n'affecte pas la sécurité, mais est visuellement indésirable.

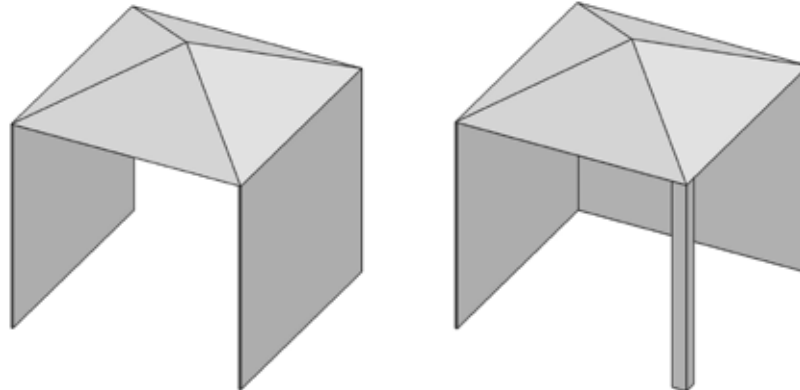
Note: Lorsque vous choisissez un emplacement pour votre foyer, prenez soin d'éviter les endroits trop humides ou à proximité de sources d'eau courantes.

Toute enceinte (abri) dans laquelle l'appareil est utilisé doit être conforme à l'un des éléments suivants:

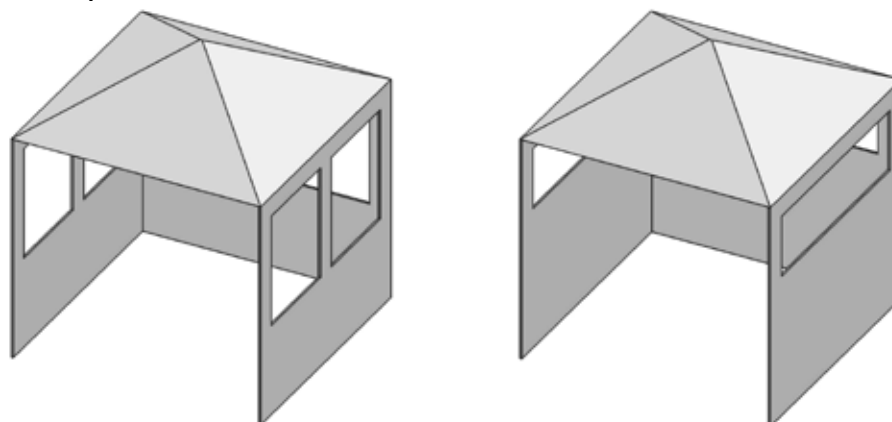
Installation à l'intérieur d'une enceinte qui comporte des murs de chaque côté, mais au moins une ouverture permanente au niveau du sol et aucun recouvrement sur le dessus.



Installation à l'intérieur d'une enceinte partielle qui comprend un recouvrement sur le dessus et deux murs latéraux au maximum. Ces murs peuvent être parallèles l'un par rapport à l'autre, comme dans un passage couvert, ou former un angle droit.



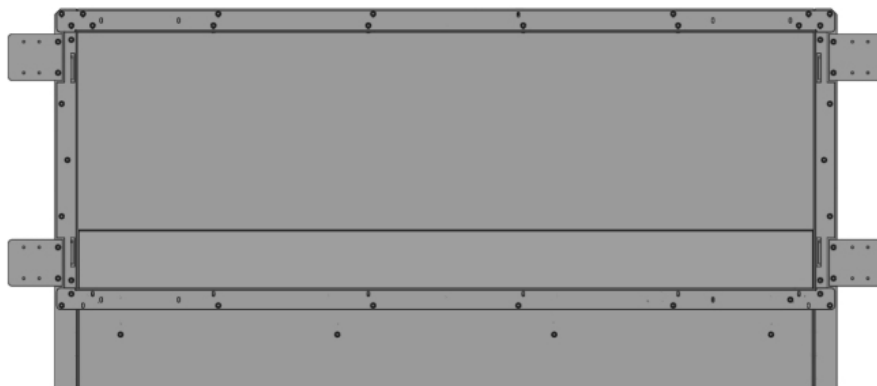
Installation à l'intérieur d'une enceinte partielle qui comprend un recouvrement sur le dessus et trois murs latéraux, dans la mesure où 30 pour cent ou plus de la périphérie horizontale de l'enceinte est ouverte en permanence.



D'Installation

Support de fixation

Pour installer le devant de l'appareil à égalité avec la surface finie, positionnez la charpente de façon à prévoir l'épaisseur de la surface finie. Vissez les supports de fixation de chaque côté de l'appareil et fixez-les à la charpente d'acier de 2 x 4. Les supports faciliteront l'installation d'une surface finie d'une épaisseur de 1/2" (13mm) ou de 3/4" (19mm).

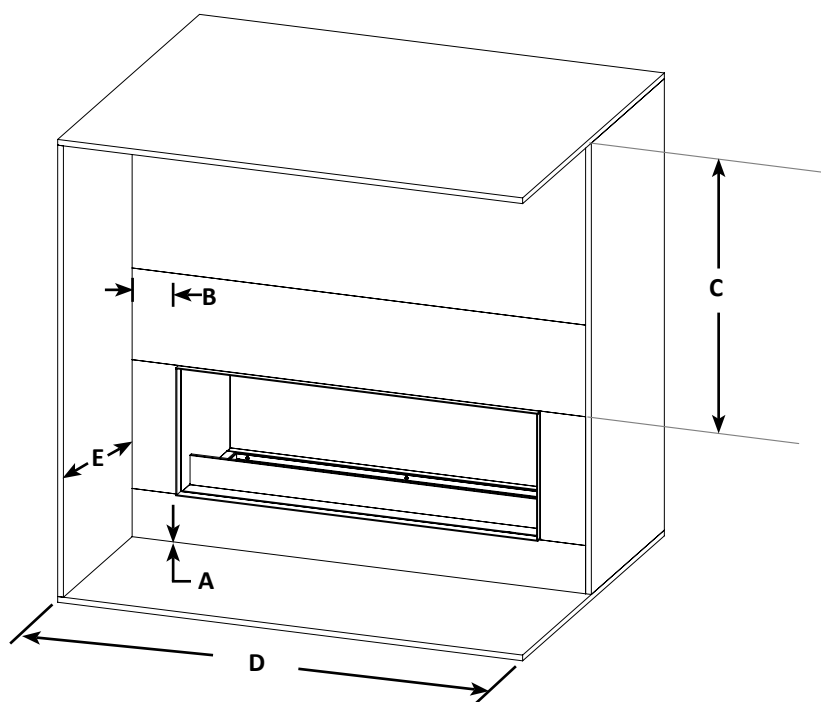


Dégagements Aux Matériaux Combustibles



AVERTISSEMENT! Afin d'éviter un risque d'incendie, les dégagements minimaux aux matériaux combustibles doivent être maintenus.

Dégagement minimal aux matériaux combustibles		
	Dégagement	Dimension
A	Du sol ou d'une autre surface	0
B	Des côtés	6" (152mm)
C	Du plafond	36" (915mm)
D	Largeur de l'alcôve	60" (1524mm) Minimum
E	Profondeur de l'alcôve	24" (610mm) Maximum



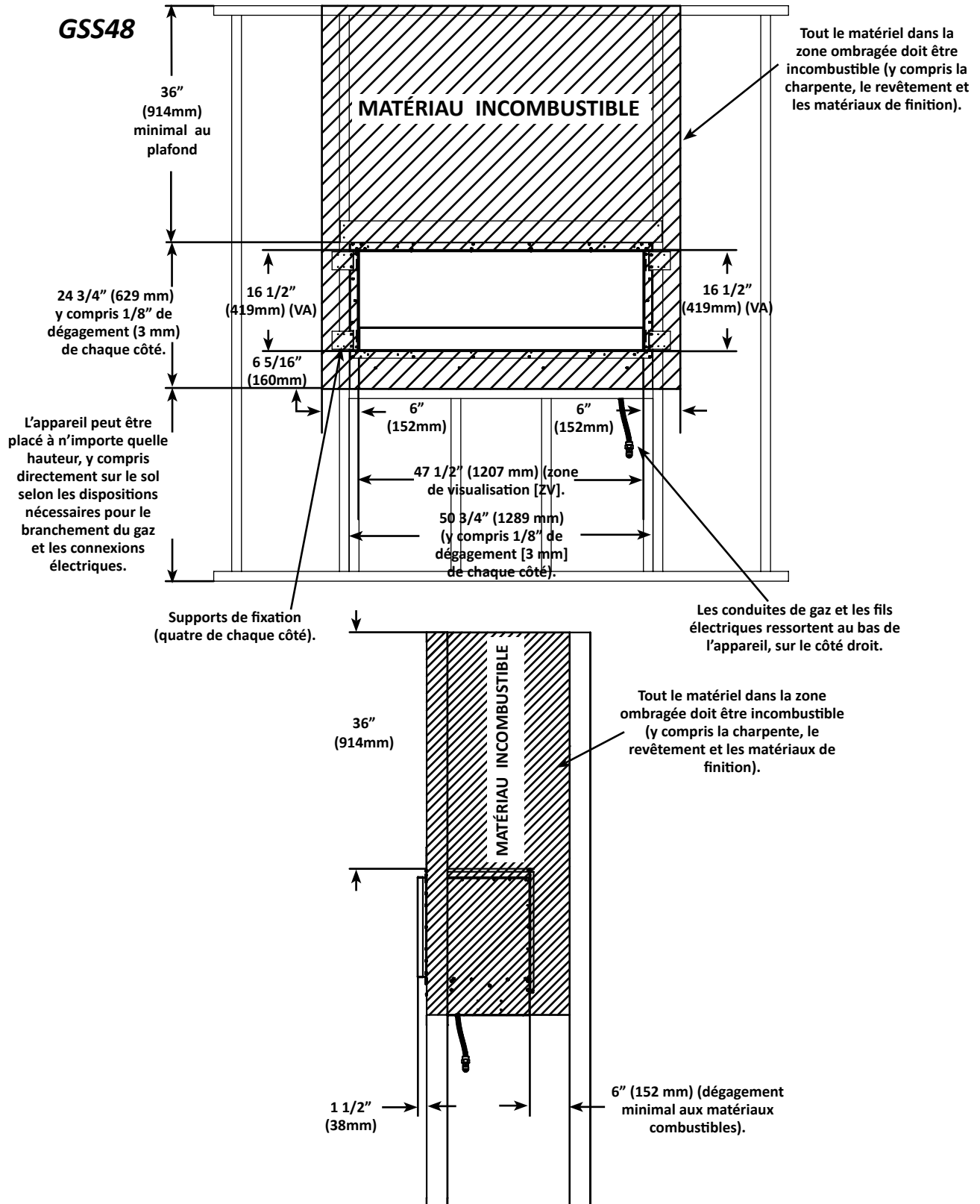
DÉGAGEMENTS MINIMAUX DE L'ENCEINTE



ATTENTION! Utilisez uniquement des matériaux incombustibles comme des montants d'acier, des panneaux de ciment, des carreaux de céramique, du marbre, de la peinture, etc., lorsque vous ajoutez des matériaux de finition à l'appareil. N'utilisez pas de bois ni de cloison sèche.

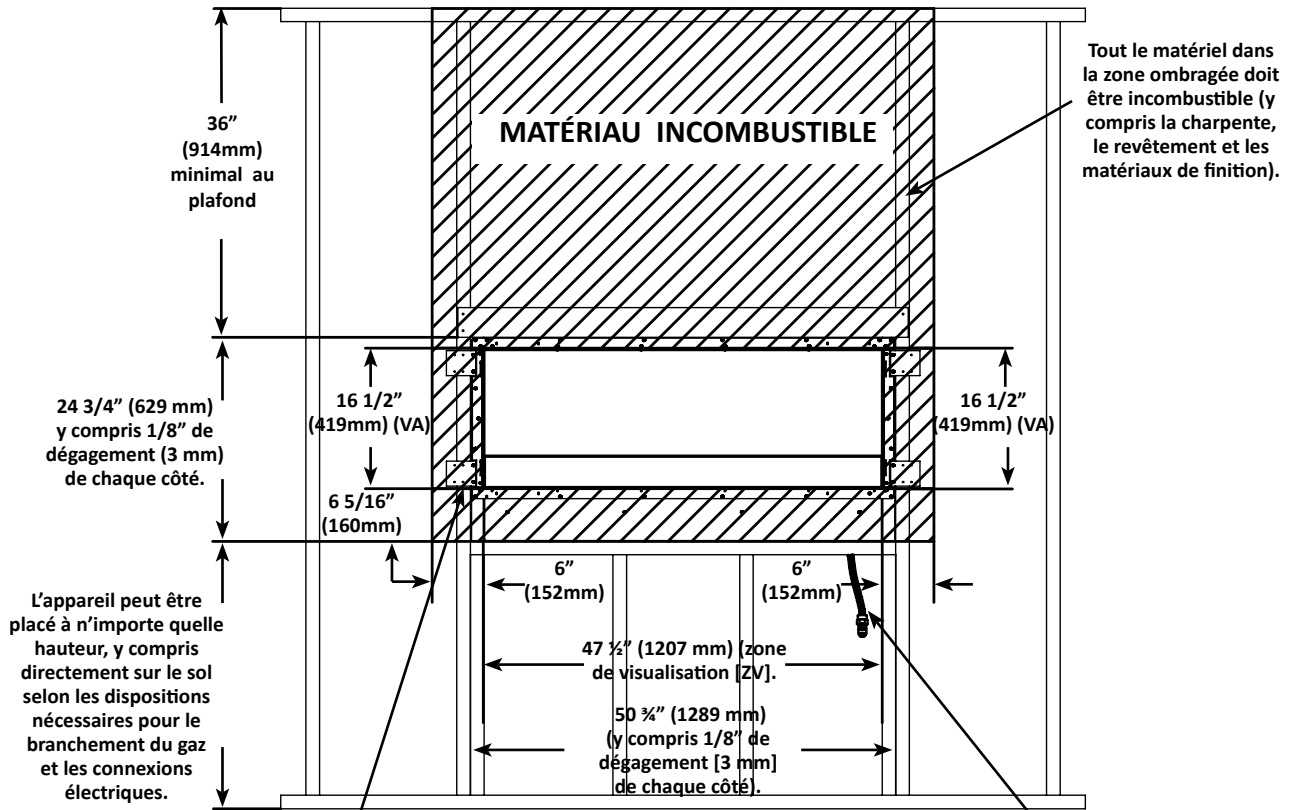


AVERTISSEMENT! Afin de pouvoir éteindre le brûleur en toute sécurité, vous devez vous assurer d'avoir un accès facile et sans obstruction à la soupape « on/off » UNE FOIS que l'appareil est installé et branché à l'alimentation en gaz.



GSS48ST

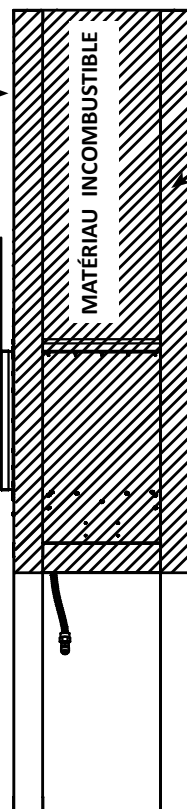
FR



Supports de fixation (quatre de chaque côté).

21" (533 mm) jusqu'à l'extérieur des montants d'acier.

Peut être modifié en fonction des matériaux de finition.



Les conduites de gaz et les fils électriques ressortent au bas de l'appareil, sur le côté droit.



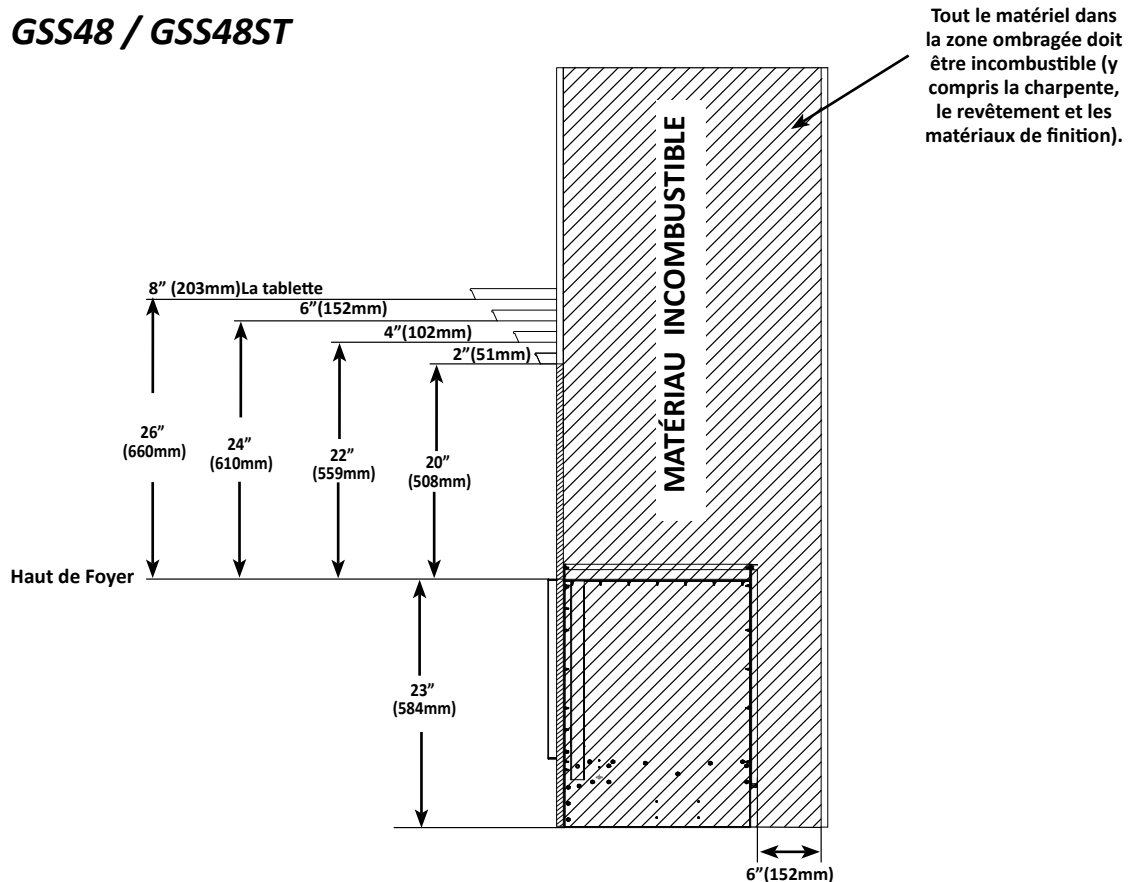
Dégagements Minimaux De La Tablette

AVERTISSEMENT! La tablette atteindra une température au-delà de la normale, alors elle pourra être chaude au toucher.

Nous vous recommandons d'installer une tablette faite d'un matériau incombustible. Si le matériau est combustible, veuillez respecter les indications du tableau ci-dessous.

Note: Lorsque vous utilisez de la peinture ou du vernis comme finition pour votre tablette, assurez-vous qu'ils soient résistants à la chaleur afin de prévenir la décoloration.

GSS48 / GSS48ST



Installation du drain (recommandée)

Bien que ce foyer soit conçu pour fonctionner à l'extérieur en toute sécurité, la pluie et d'autres sources d'humidité peuvent s'infiltrer dans la zone du foyer et s'accumuler à la base de l'unité, à l'intérieur de l'enceinte. Lorsque vous choisissez un emplacement pour votre foyer, prenez soin d'éviter les endroits trop humides ou à proximité de sources d'eau courantes.

Afin d'empêcher l'humidité ou l'eau de s'accumuler sous le foyer, le constructeur doit prévoir un moyen pour drainer l'eau sous le foyer avant que celui-ci soit installé à son emplacement définitif. Nous vous conseillons d'utiliser un bac de récupération scellé et anticorrosif avec un dispositif de drainage placé sous le foyer. Le bac de récupération peut être fait d'un métal anticorrosif ou tout autre matériau convenable comme une membrane d'étanchéité. Le bac de récupération doit être muni d'un dispositif de drainage tel qu'un tuyau ou des trous d'évacuation. Une pente de 1/4" (6 mm) par pieds vers l'orifice de drainage est recommandée.

Note: Lors de la planification de l'installation du foyer, la hauteur de l'ossature doit être augmentée pour accommoder un bac de récupération et la tuyauterie nécessaire pour le drain.

Note: Le foyer doit être installé sur une surface de niveau afin d'assurer un drainage adéquat.

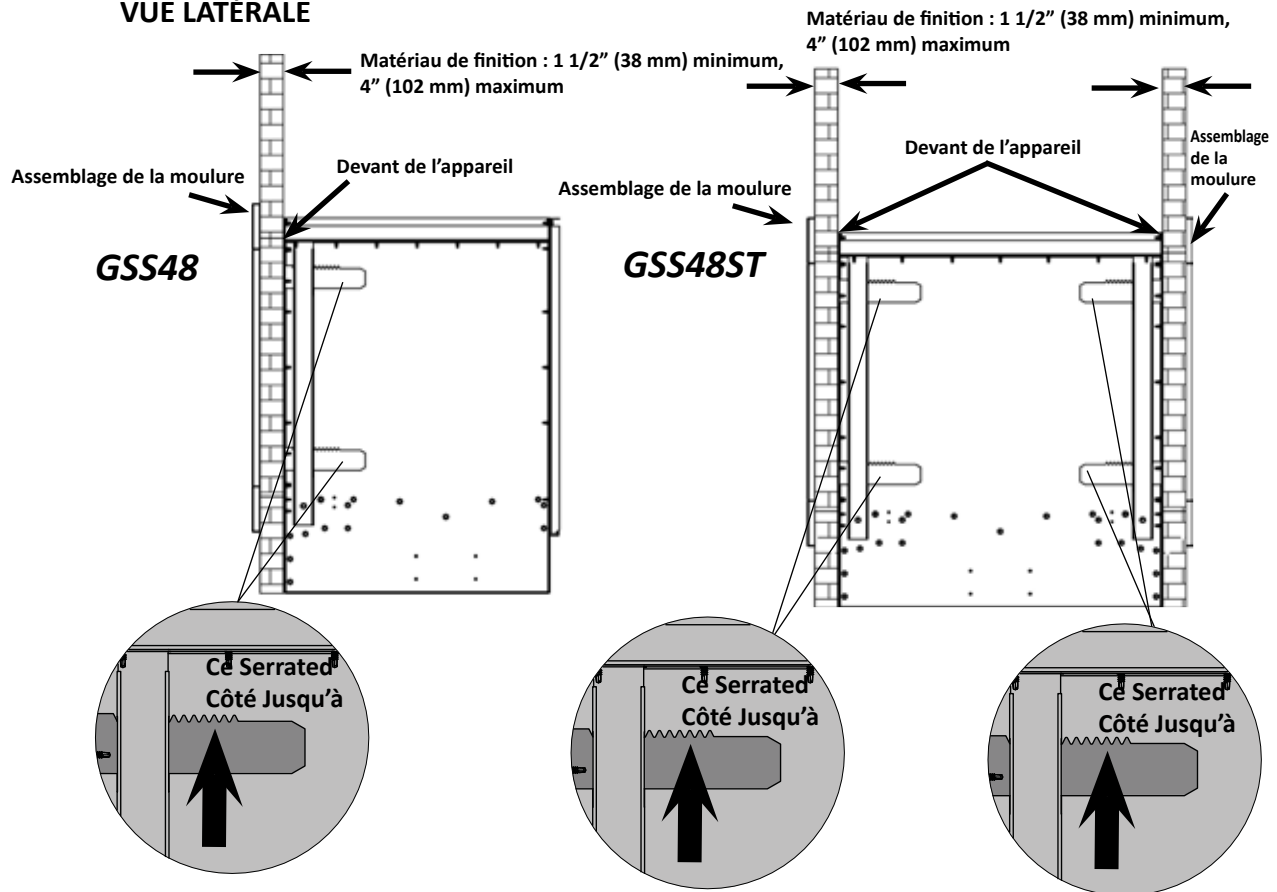
Installation de la moulure (en option)



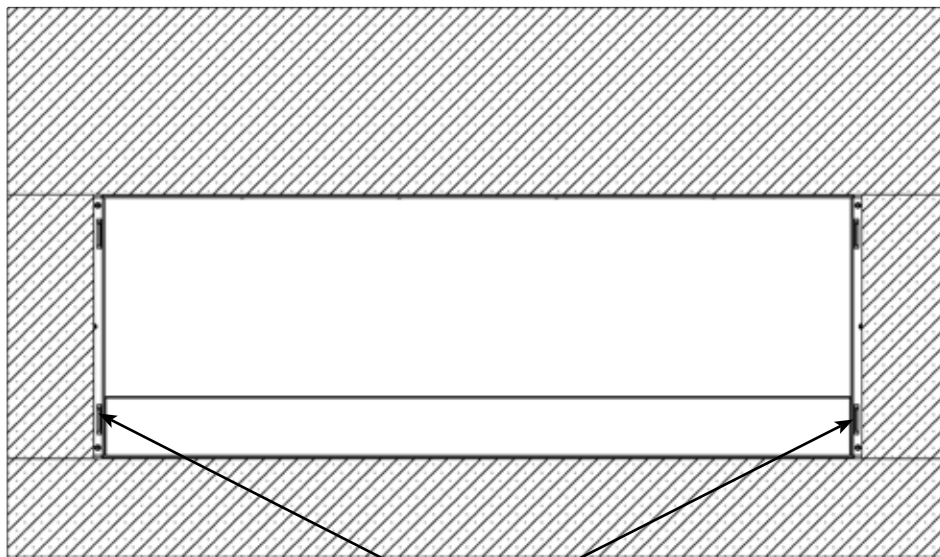
REMARQUE! La plupart des pièces en acier inoxydable comportent un revêtement de protection en plastique qui doit être retiré avant d'utiliser l'appareil.

La moulure est conçue pour une façade qui dépasse de 1 1/2" (38 mm) à 4" (102 mm) à l'avant de l'appareil.

VUE LATÉRALE



VUE DE FACE

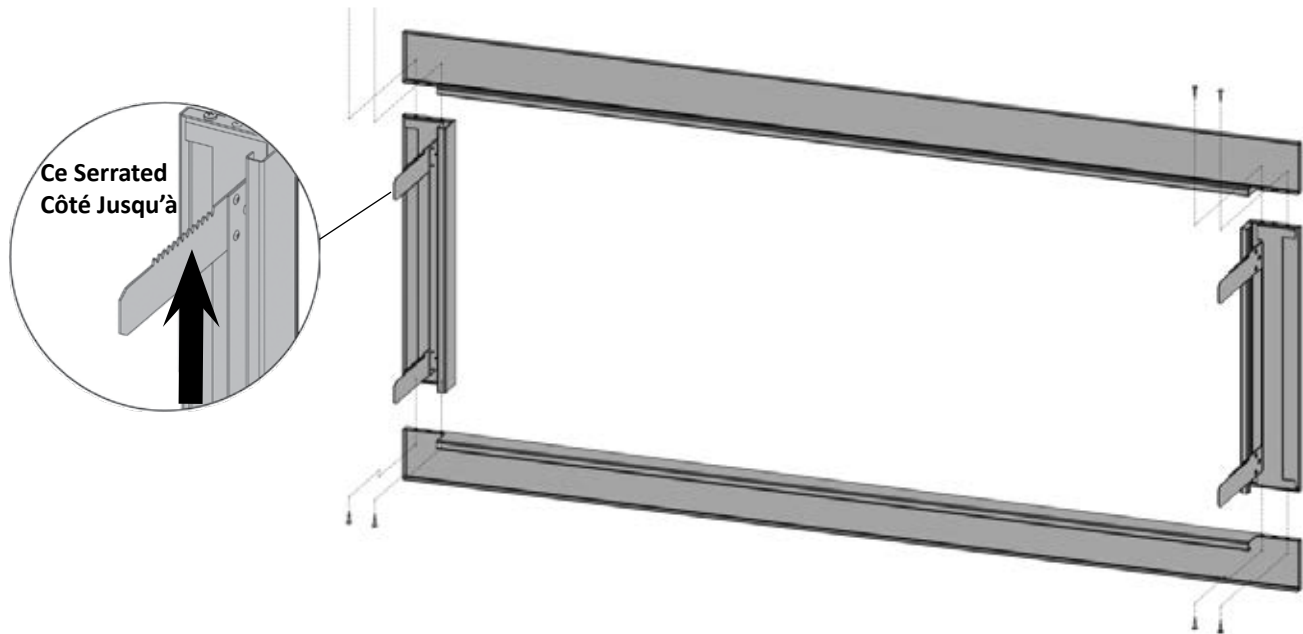


ATTENTION! Lors de l'installation de l'ensemble optionnel de moulure, l'installateur doit laisser un espace de 5/8" (16 mm) entre les panneaux de ciment et les matériaux de finition sur les deux côtés pour permettre l'accès aux fentes.

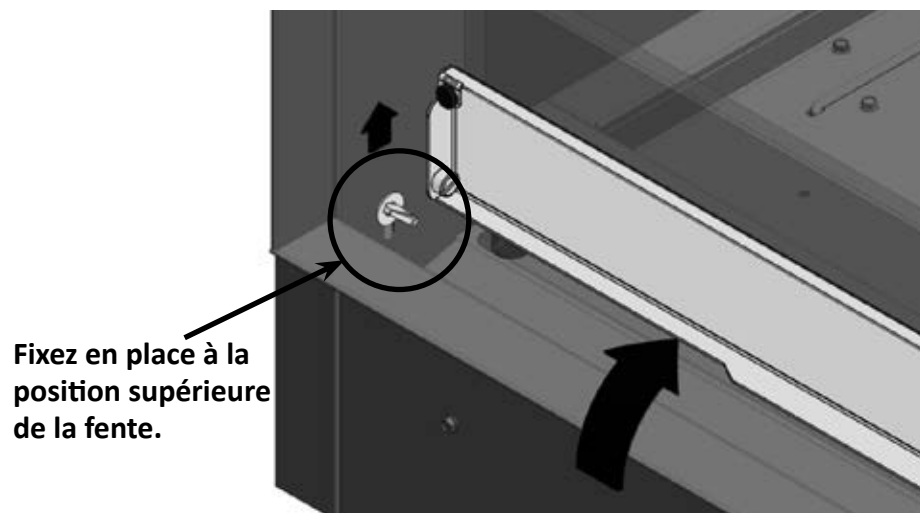


ATTENTION! Assemblez les pièces de la moulure sur une surface propre et non abrasive pour éviter d'endommager le fini en acier inoxydable.

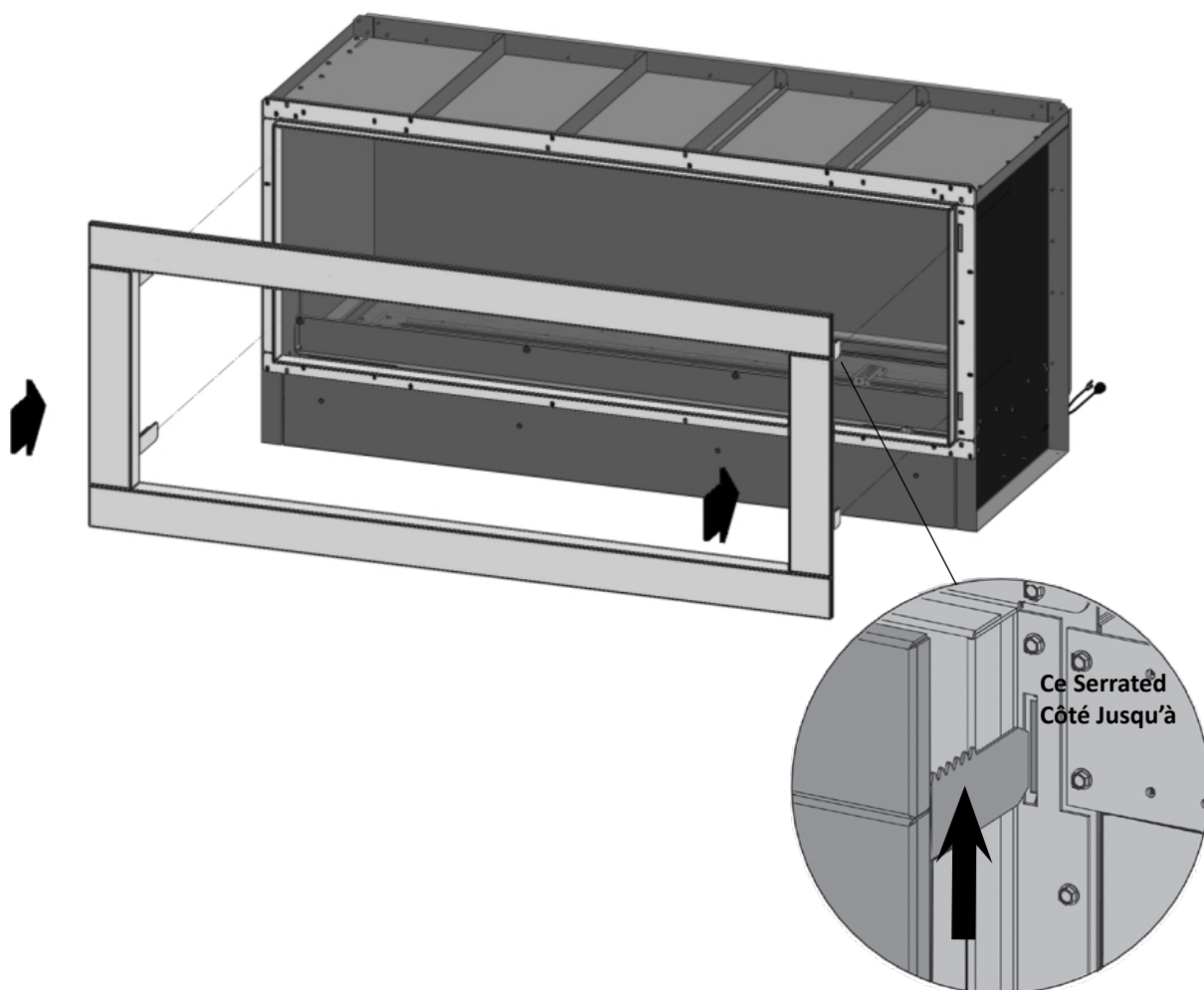
1. Retirez le revêtement de protection des pièces de la moulure.
2. Assemblez les pièces de la moulure en utilisant huit (8) vis #8-32 x 3/8" comme illustré.



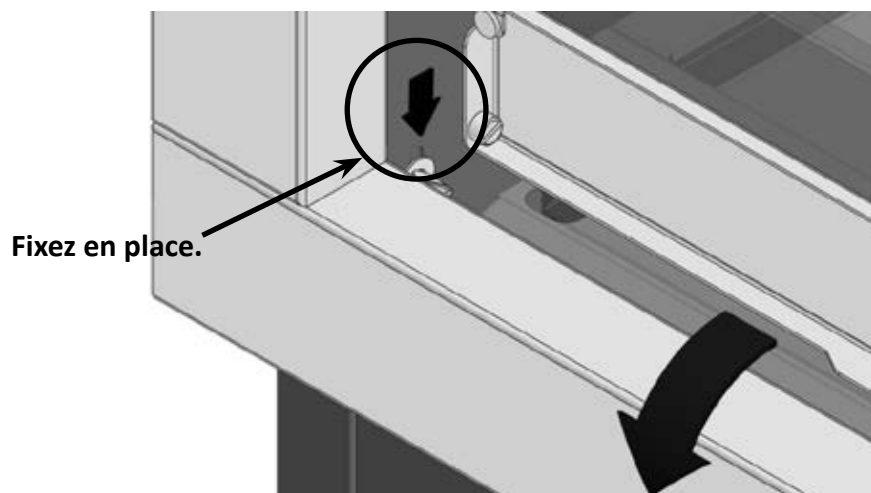
3. Ouvrez la porte d'accès à l'avant de l'appareil et desserrez les vis de serrage (ne pas retirer). Soulevez les vis de serrage et fixez-les à la position supérieure de la fente.



- Alignez les crochets sur la moulure avec les fentes sur le côté de l'appareil et insérez-les comme illustré en poussant jusqu'à ce qu'elle soit bien alignée avec le devant. Les crochets comportent plusieurs fentes (1/4" [6 mm] de distance) pour s'adapter à différents matériaux de finition.



- Desserrez les vis de serrage et descendez-les jusqu'à ce qu'elles s'arrêtent. Resserrez les vis de serrage et fermez la porte d'accès.



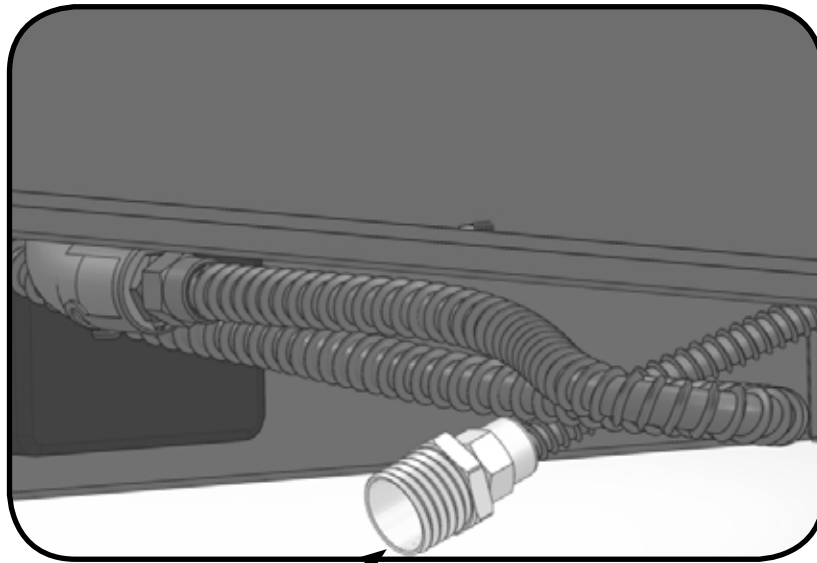
Branchement Au Gaz

Connexion au gaz naturel

Cet appareil au gaz est conçu pour fonctionner avec du gaz naturel à une pression d'entrée de 7 pouces de colonne d'eau. L'installateur est responsable de la tuyauterie d'alimentation jusqu'à l'appareil. Un raccord flexible métallique est inclus afin de faciliter l'installation de l'appareil. Assurez-vous que le raccord ne passe pas à travers un mur, un plancher, un plafond ou une cloison et qu'il est protégé contre les dommages. N'utilisez pas de boyau pour raccorder l'appareil. Le tuyau d'alimentation en gaz doit être de la bonne dimension pour fournir la quantité de BTU/h indiquée sur la plaque d'homologation, selon la longueur de la tuyauterie.

Purgez l'air présent dans la conduite d'alimentation en gaz avant la première utilisation de l'appareil.

FR



RACCORDEMENT DU GAZ



ATTENTION!

- Risque d'incendie, d'explosion ou d'asphyxie : assurez-vous de l'absence de sources d'inflammation comme des étincelles ou des flammes nues.
- L'installation doit être effectuée par un installateur certifié pour le gaz et tous les raccords doivent être testés pour des fuites avant de faire fonctionner l'appareil.
- Tous les raccords de gaz doivent être regroupés à l'intérieur de l'appareil lorsque vous avez terminé.
- Une pression élevée peut endommager la soupape; déconnectez les conduites d'alimentation en gaz avant de tester la conduite de gaz à des pressions supérieures à 1/2 lb/po².
- Branchez le gaz en conformité avec les normes locales. En l'absence de normes locales, l'installation doit être conforme au code d'installation CAN/CSA B149.1 au Canada, ou au National Fuel Gas Code ANSI Z223.1/NFPA 54 aux États-Unis.
- Effectuez un test de fuite sur tous les raccords en les enduisant d'une solution d'eau savonneuse. Ces connexions peuvent être accessibles en retirant le brûleur. (Voir les directives pour retirer le brûleur.)



Conversion au LP (Propane) gaz



AVERTISSEMENT! Pour éviter les risques de brûlure, la conversion doit uniquement avoir lieu lorsque le appareil est froid. Vérifiez que le brûleur est bien éteint. Coupez l'alimentation en gaz à la source et débranchez le appareil avant d'entreprendre la conversion.



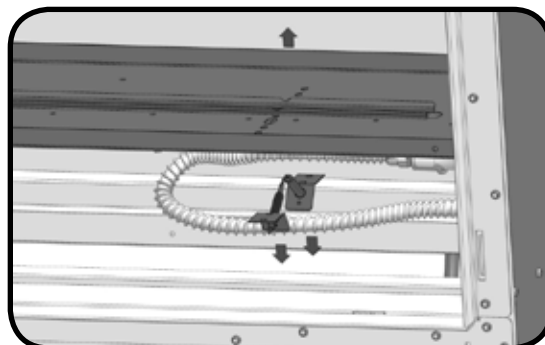
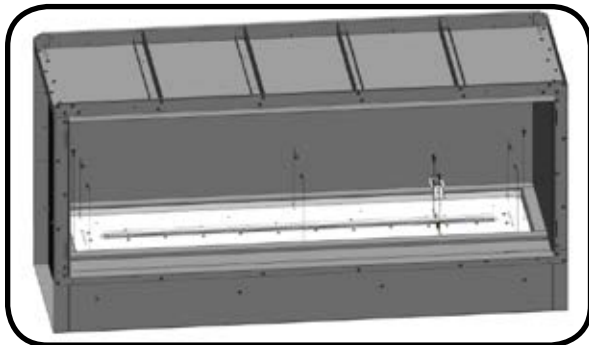
AVERTISSEMENT! Les braises de verre peuvent avoir des rebords tranchants. Portez des lunettes de sécurité et des gants lorsque vous les manipulez.



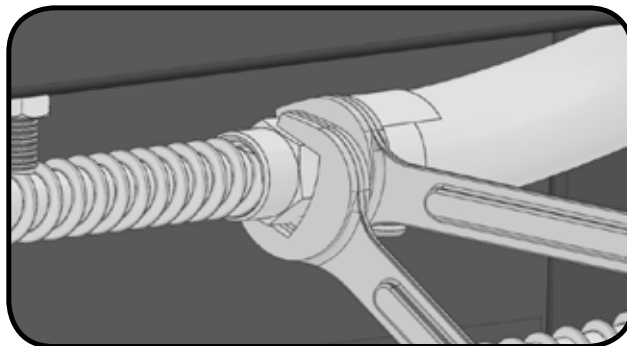
AVERTISSEMENT! Cette conversion doit être effectuée par un installateur qualifié pour le gaz. Tous les raccords doivent être soumis à un test de détection de fuites avant l'utilisation du appareil.

Vous pouvez aisément convertir votre du l'appareil au LP (Propane) gaz en suivant ces étapes :

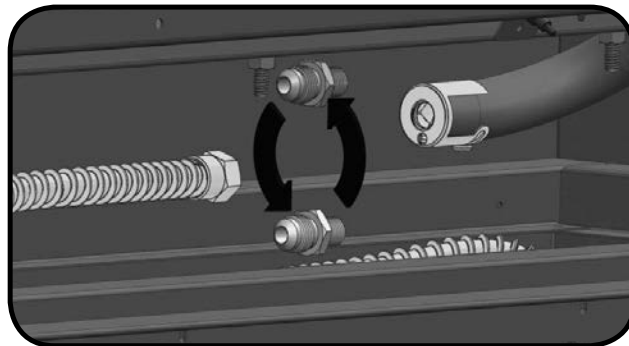
1. Retirez les braises de verre du plateau.
2. Retirez le plateau du l'appareil en enlevant les (8) vis qui le tiennent en place.
3. Soulevez le plateau avec précaution et déposez-le en retrait. Veillez à ne pas endommager ou tordre le fil du thermocouple.



4. Débranchez le raccord flexible en acier inoxydable de l'injecteur à l'aide de deux (2) clés.



5. Dévissez l'injecteur de gaz naturel de l'intérieur du brûleur, comme illustré.



6. Remplacez l'injecteur de gaz naturel par l'injecteur de gaz propane fourni.

Note : Le volet d'air a été réglé en usine et n'a pas besoin d'être ajusté.

7. Rebranchez le raccord flexible en acier inoxydable à l'injecteur et serrez-le à l'aide de deux (2) clés.
8. Placez le plateau sur le brûleur et fixez-le au l'appareil à l'aide des vis retirées à l'étape 2.
9. Remplissez l'étiquette de conversion inclus avec votre l'appareil et l'appliquer à l'intérieur de la porte d'accès du panneau de commande.
10. Faites un test de détection de fuites selon les instructions fournies dans le manuel.



AVERTISSEMENT! Si ces instructions ne sont pas suivies à la lettre, un incendie pourrait s'ensuivre, causant des blessures graves ou la mort.

Spécifications Pour La Bonbonne De Propane

Un cylindre bosselé ou rouillé peut être dangereux et devrait être vérifié par votre fournisseur de propane. N'utilisez jamais un cylindre avec une soupape endommagée. Le cylindre de propane doit être fabriqué et étiqueté conformément aux spécifications américaines du D.O.T. pour les cylindres de propane ou à la norme pour les cylindres, bouteilles et tubes utilisés pour le transport des marchandises dangereuses CAN/CSA-B339, le cas échéant.

Le cylindre de propane doit être muni d'un dispositif de connexion compatible avec la connexion de l'appareil.

Cet appareil a été conçu pour être utilisé avec une bonbonne de propane de 20 livres (9.1kg) ou 30 lb (13.6 kg) uniquement (non fournie).

The LP-gas supply cylinder must be provided with a cylinder-connection device compatible with the connection for the appliance. La bonbonne de propane doit être équipée d'une soupape d'arrêt se raccordant à une soupape de type QCC1. Une valve de sécurité doit être branchée directement sur la bonbonne. Le système d'alimentation de la bonbonne doit être installé de manière à permettre l'évacuation des vapeurs et doit avoir un collet pour protéger la soupape de la bonbonne. La bonbonne doit être munie d'un dispositif de détection de trop-plein. Ne rangez pas de bonbonne de propane de rechange sous cet appareil ou à proximité. Ne remplissez jamais la bonbonne à plus de 80 pour cent de sa pleine capacité. Si ces consignes ne sont pas suivies à la lettre, un feu pourrait s'ensuivre, causant des blessures sérieuses ou des pertes de vie.

N'utilisez que l'ensemble de régulateur de pression et de tuyau fourni avec ce l'appareil. Les ensembles de régulateur de pression et tuyaux de rechange doivent être recommandés par le fabricant. Le régulateur fourni une pression de 11 pouces de colonne d'eau au l'appareil. Le l'appareil possède un raccord de type QCC1. Les bonbonnes utilisées avec ce l'appareil doivent être munies d'une soupape QCC1. Une soupape QCC1 possède un raccord qui empêche l'écoulement du gaz jusqu'à ce qu'un joint étanche soit obtenu. Elle est aussi équipée d'un dispositif de contrôle d'écoulement du gaz. Afin d'obtenir un débit maximal de gaz, les soupapes du l'appareil doivent être fermées lorsque vous ouvrez la soupape de la bonbonne.



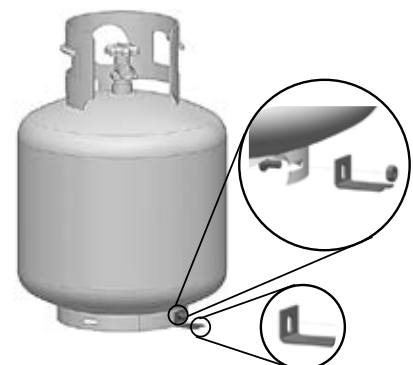
AVERTISSEMENT! Le tuyau doit être fixé de façon à ce qu'aucune partie du boyau ne touche le dessous de appareil. Si vous ne suivez pas ces instructions à la lettre, un feu en résultera.

Propane

Fixez la patte de fixation fournie à la base du réservoir. Fixez-la ensuite à la surface sur laquelle elle repose. Le réservoir devrait être sur une surface de niveau.

Patte De Fixation Du Réservoir

1. Fixez la patte de fixation à la base du réservoir de propane à l'aide du boulon et de l'écrou fournis.
2. Serrez la vis tire-fond dans la surface de fixation en laissant environ 1/4" de filetage au-dessus de la surface.
3. Glissez le réservoir de propane en position afin que la patte de fixation glisse sous la tête de la vis tire-fond.
4. Serrez la vis tire-fond contre la patte de fixation.
5. Pour fixer le réservoir à une surface de béton, utilisez une cheville pour béton. (Non fournie)



Raccord De La Bonbonne: Assurez-vous que le tuyau du régulateur de gaz est sans anomalie. Enlevez les bouchons sur la soupape de gaz à la bonbonne. Connectez le régulateur QCC1 sur la soupape de gaz QCC1. Serrez à la main dans le sens des aiguilles d'une montre. N'utilisez pas d'outil. Faites un test de fuites sur tous les raccords avant d'utiliser l'appareil. Un test de fuites doit être fait annuellement et à chaque fois qu'une bonbonne est remplacée ou qu'une pièce du système de gaz est remplacée.

Si le appareil est branché directement au réservoir de propane de la maison, suivez les instructions pour le branchement au gaz naturel.



ATTENTION!

- Assurez-vous que la soupape de la bonbonne est complètement fermée. (Tournez vers la droite pour fermer).
- Vérifiez les caractéristiques de la soupape pour vous assurer qu'elle possède un filetage externe compatible. (Soupape de gaz marquée : USE WITH TYPE 1)
- Une fois l'inspection du tuyau de gaz propane terminée, branchez le bout du tuyau avec le raccord femelle au raccord mâle de la soupape de gaz « on/off » de l'appareil. Serrez les raccords à l'aide de 2 clés.
- Lorsque vous branchez le régulateur à la soupape de la bonbonne, serrez l'écrou noir QCC1 à la main, dans le sens des aiguilles d'une montre, jusqu'à un blocage complet. N'UTILISEZ PAS de clé pour serrer. L'utilisation d'une clé peut endommager l'écrou et créer des conditions dangereuses.
- Placez le tuyau hors des endroits où il risque d'être endommagé de façon accidentelle et hors des voies de passage pour éviter que les gens trébuchent.
- Ouvrez complètement la soupape de la bonbonne (sens contraire des aiguilles d'une montre). Tournez la soupape « on/off » de l'appareil lentement à « on » et vérifiez tous les raccords pour des fuites de gaz avec une solution d'eau savonneuse avant d'allumer l'appareil. Comme indiqué dans le diagramme. Si vous trouvez une fuite, tournez la soupape de la bonbonne à « off » et n'utilisez pas cet appareil tant que la fuite n'est pas réparée.

Enceinte pour les systèmes d'alimentation au propane

Si vous désirez fabriquer une enceinte pour une bonbonne de propane, suivez les spécifications ci-dessous. Vous devez aussi vous conformer aux codes locaux.

- Les enceinte pour les bonbonnes de propane doivent être ventilés par des ouvertures au niveau supérieur et inférieur de l'enceinte.

Ceci sera accompli par l'une des étapes suivantes :

Un côté de l'enceinte doit être complètement ouvert;

OU

Pour une enceinte à quatre côtés avec une base et un dessus :

a) Au moins deux ouvertures de ventilation seront nécessaires dans les murs de côté, situées à un maximum de 5 po (127 mm) du haut de l'enceinte, d'égale grandeur, situées un minimum de 90 degrés (1.57 rad) l'une de l'autre et sans obstruction. Chaque ouverture aura une section libre d'au moins 1 pouce carré par livre (14,2 cm²/kg) de capacité de bonbonne.

b) Les ouvertures de ventilation devront se retrouver au niveau de la base et avoir une section libre d'au moins ½ pouce carré par livre (7,1 cm²/kg) de capacité de bonbonne. Si les ouvertures de ventilation au niveau de la base se retrouvent dans un mur de côté, il devra y avoir au moins deux ouvertures. Le bas des ouvertures sera situé à 1 po (25,4 mm) ou moins du plancher, et le haut, à un maximum de 5 po (127 mm) du plancher. Les ouvertures seront d'égale grandeur, situées un minimum de 90 degrés (1.57 rad) l'une de l'autre et sans obstruction.

c) Chaque ouverture aura des dimensions minimales pour permettre l'entrée d'une tige de 1/8 po (3,2 mm) de diamètre.

Les ouvertures de ventilation des murs de côté ne devront pas communiquer directement avec d'autres enceintes de l'appareil.

Les soupapes de bonbonne seront facilement accessibles et à portée de la main. Une porte peut être installée sur l'enceinte pour accéder à la soupape, pourvu qu'elle ne soit pas verrouillable et que l'on puisse l'ouvrir sans outil. Si l'enceinte est doté d'un couvercle, l'accès à la bonbonne et à sa soupape sera facilité par des poignées (ou un dispositif équivalent) permettant de soulever le couvercle, situées au minimum à 180 degrés l'une de l'autre.

Il doit y avoir un dégagement minimum de 2 po (50,8 mm) entre la base de l'enceinte de la bonbonne de propane et le sol.

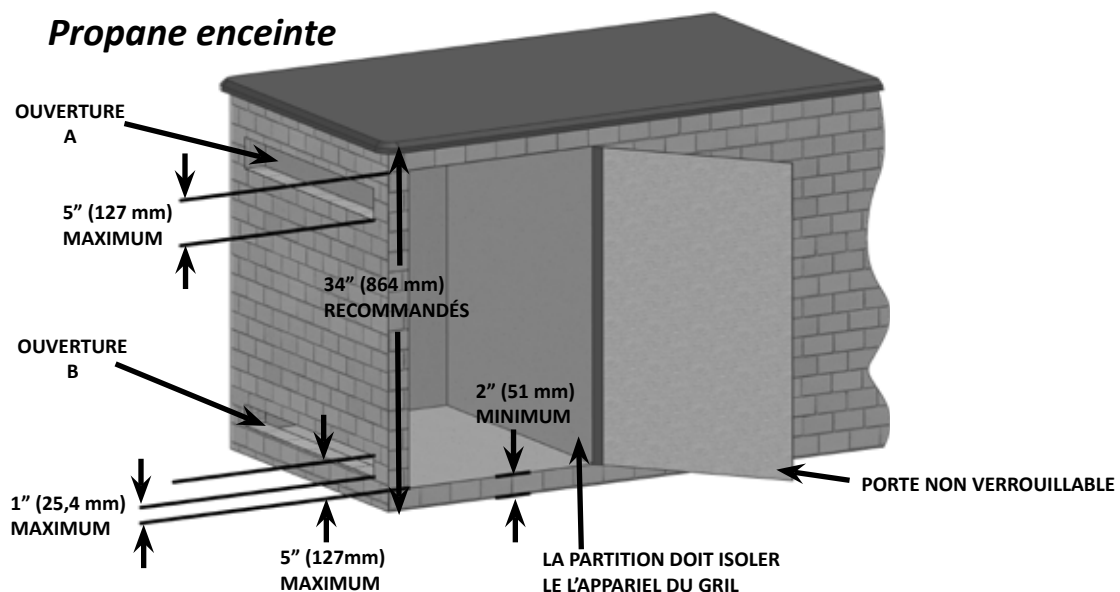
La conception de l'enceinte sera telle que (1) la bonbonne de propane puisse être branchée, débranchée et que les raccords puissent être inspectés et testés à l'extérieur de l'enceinte; et (2) que ces mêmes raccords puissent être inspectés pour des fuites à l'intérieur de l'enceinte lorsqu'ils subissent des manipulations accidentelles durant l'installation d'une bonbonne.

L'enceinte de la bonbonne de propane isolera la bonbonne du compartiment du brûleur afin de la protéger :

- des radiations;
- des flammes; et
- des matières étrangères.

Assurez-vous d'installer ou de poser la bonbonne de propane sur une surface plane, et maintenez-la en place à l'aide de sa patte de fixation pour l'empêcher de se renverser.

Propane enceinte



GRANDEUR DU CYLINDRE	OUVERTURE A	OUVERTURE B
20 lb (9,1 kg)	20 po ² (130 cm ²)	10 po ² (65 cm ²)
30 lb (13,6 kg))	30 po ² (195 cm ²)	15 po ² (100 cm ²)

Finitions

Installation Des Braises Vitriifiées



AVERTISSEMENT! N'utilisez pas de l'appareil sans les braises vitriifiées.

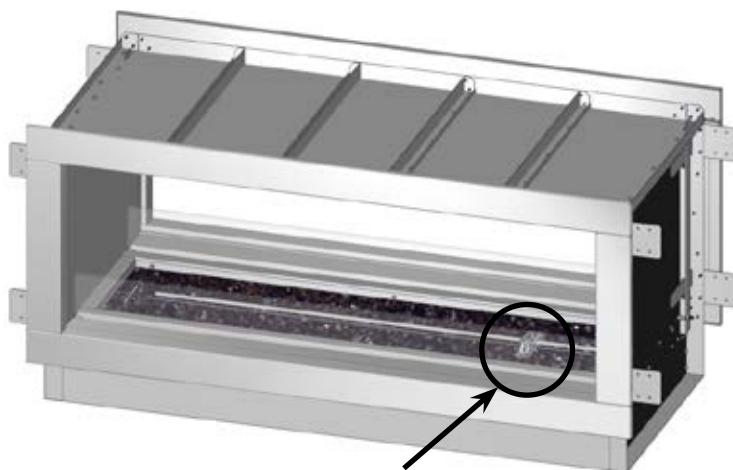


AVERTISSEMENT! Il est possible que les braises vitriifiées soient coupantes, portez donc des lunettes de sécurité et des gants protecteurs pour les manipuler. Ne pas changer ou substituer les braises vitriifiées fournies avec cet appareil. Si vous les remplacez, utilisez seulement des braises vitriifiées disponibles chez votre détaillant local autorisé.



AVERTISSEMENT! Il est possible qu'un film huileux recouvre les braises. Avant de les disposer dans le plateau, nettoyez les braises avec un savon à vaisselle doux, égouttez-les, rincez-les à fond et laissez-les sécher.

1. Versez soigneusement les braises de verre dans le plateau, comme illustré.
2. Répartissez les braises de verre sur le plateau et le brûleur. La répartition des braises sur le brûleur influencera la hauteur de la flamme.
3. Les braises vitriifiées doivent couvrir la zone grillagée du plateau du brûleur tout en s'assurant qu'il n'y ait pas de verre sur la section d'allumage du brûleur comme illustré ci-dessous.



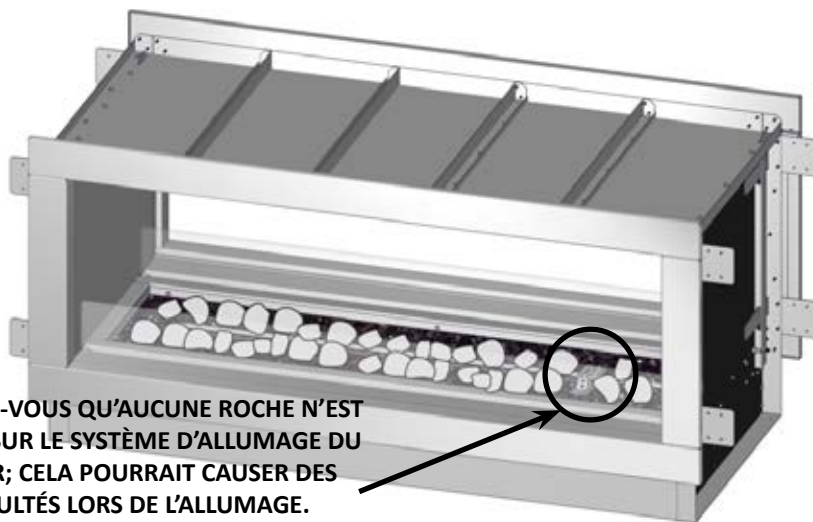
ASSUREZ-VOUS QU'IL N'Y A PAS DE VERRE SUR LA SECTION D'ALLUMAGE DU BRÛLEUR, CAR CELA POURRAIT ENTRAÎNER DES DIFFICULTÉS AU MOMENT D'ALLUMER L'APPAREIL.

Installation des roches MKR (en option)



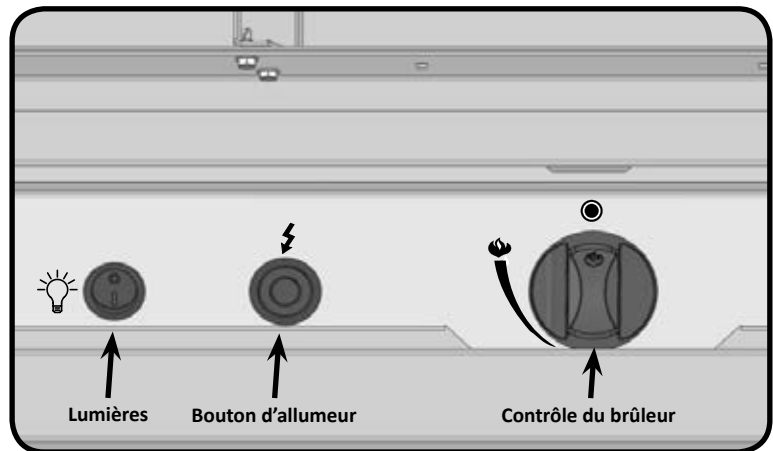
ATTENTION! N'utilisez pas de véritables roches avec cet appareil. La chaleur les ferait éclater.

Placez les roches réfractaires au-dessus du lit de braises de verre et autour du plateau du brûleur comme vous le souhaitez, en veillant à ne pas couvrir les orifices du brûleur ou le système d'allumage du brûleur.



ASSUREZ-VOUS QU'AUCUNE ROCHE N'EST PLACÉE SUR LE SYSTÈME D'ALLUMAGE DU BRÛLEUR; CELA POURRAIT CAUSER DES DIFFICULTÉS LORS DE L'ALLUMAGE.

Instruction D'allumage



FR



AVERTISSEMENT! Éloignez votre visage et votre corps du brûleur lors de l'allumage.

AVERTISSEMENT! Assurez-vous que les commandes du brûleur sont en position éteinte. Ouvrez doucement la soupape d'alimentation en gaz.

1. Appuyez sur le bouton d'allumage électronique (⚡) et maintenez-le enfoncé.

2. Tournez le bouton de contrôle du brûleur en position élevée, appuyez et maintenez enfoncé. Lorsque le brûleur s'allume, relâchez le bouton d'allumage électronique.

3. Continuez d'enfoncer le bouton de contrôle du brûleur pendant 30 secondes, puis relâchez. Si la flamme s'éteint, répétez la procédure.

4. Ajustez la flamme à la hauteur désirée à l'aide du bouton de contrôle du brûleur.

5. Si le brûleur ne s'allume pas à l'aide de l'allumeur électronique, tenez une longue allumette ou un long briquet au butane allumés près de la section d'allumage du brûleur et continuez à l'étape 2.

6. Pour éteindre le brûleur, tournez le bouton de contrôle vers la droite en position d'arrêt. Coupez ensuite l'alimentation en gaz à la source (soupape de la bonbonne de propane ou soupape d'alimentation en gaz naturel).



AVERTISSEMENT! La bonbonne de propane est équipée d'un limiteur de débit. Si le brûleur n'est pas éteint au moment d'ouvrir la soupape de la bonbonne, vous n'obtiendrez que de petites flammes et une faible chaleur.

AVERTISSEMENT! Si le brûleur ne s'allume pas en moins de 10 secondes, tournez le bouton de contrôle à 'off' et attendez 5 minutes pour permettre au surplus de gaz de se dissiper. Répétez les procédure.



Si vous allumez l'appareil avec une allumette, fixez-la dans la tige d'allumage fournie.

Fonctionnement



AVERTISSEMENT! N'utilisez jamais le l'appareil à des fins autres que celles prévues. Ne vous servez pas de l'appareil pour préparer de la nourriture.



AVERTISSEMENT! Afin de pouvoir éteindre le brûleur en toute sécurité, vous devez vous assurer d'avoir un accès facile et sans obstruction à la soupape « on/off » UNE FOIS que l'appareil est installé et branché à l'alimentation en gaz.

Éclairage initial: Lorsqu'il est allumé pour la première fois, le l'appareil dégagera une légère odeur. Ceci est un phénomène normal et temporaire causé par l'évaporation des peintures et lubrifiants internes utilisés dans le processus de fabrication et ne se reproduira plus. Allumez simplement les brûleurs de cuve à "high" pendant une demi-heure.



AVERTISSEMENT!

- Les adultes et plus particulièrement les enfants doivent être sensibilisés aux risques que représentent les surfaces exposées à des températures élevées. Ils doivent s'en tenir éloignés pour éviter de se brûler ou que leurs vêtements ne prennent feu.
- Surveillez toujours les jeunes enfants lorsqu'ils sont près de l'appareil.
- Les vêtements et autres matériaux combustibles ne doivent pas être suspendus à l'appareil ni posés sur l'appareil ou à proximité. Les températures au-dessus de l'appareil peuvent être extrêmement chaudes. Pour prévenir les brûlures et empêcher les vêtements de prendre feu, évitez les contacts directs avec ces surfaces métalliques.
- Les grillages et les dispositifs de sécurité enlevés pour faire l'entretien devront être remis en place avant d'utiliser l'appareil.
- L'installation et les réparations doivent être effectuées par un technicien de service qualifié. Cet appareil doit être inspecté avant la première utilisation et au moins une fois l'an par un technicien de service qualifié. Un entretien plus fréquent pourrait être nécessaire. Il est primordial de garder propres le boîtier de contrôle, les brûleurs et les passages d'air.



AVERTISSEMENT!

- N'utilisez jamais le l'appareil lorsqu'il pleut.
- Éteignez toujours le l'appareil lorsqu'il pleut.
- Ne versez jamais de liquide sur les braises de verre lorsque le l'appareil fonctionne.
- Ne tentez pas de toucher au braises verre, car celui-ci devient extrêmement chaud lorsque de l'appareil fonctionne.
- Assurez-vous que le l'appareil est toujours placé sur une surface solide et de niveau.
- N'utilisez pas le l'appareil si le brûleur est endommagé. Inspectez le brûleur avant chaque utilisation. Assurez-vous qu'il n'y ait pas de débris (feuilles, herbes ou autres objets) sur le l'appareil ou à l'intérieur de celui-ci. Si le brûleur est endommagé, remplacez-le par un brûleur approuvé par votre détaillant Napoléon avant d'utiliser le l'appareil.
- Inspectez l'ensemble de tuyau avant chaque utilisation. S'il y a des signes d'usure ou d'abrasion excessive, ou si le tuyau est endommagé, remplacez-le par un ensemble de tuyau approuvé par votre détaillant Napoléon avant d'utiliser le l'appareil.

NOTE! Le l'appareil est muni de plusieurs caractéristiques de sécurité, dont une soupape de sûreté. Si la flamme du brûleur s'éteint, l'alimentation en gaz du l'appareil sera automatiquement coupée.



AVERTISSEMENT! Toute modification apportée à cet appareil peut en compromettre la sécurité. Respectez tout particulièrement les consignes suivantes.

- Le thermocouple est un dispositif de sécurité. Ne le contournez pas.
- N'utilisez pas cet appareil si une partie quelconque a été submergée. Contactez immédiatement un technicien qualifié pour l'inspecter et pour remplacer toute pièce du système de contrôle et du contrôle du gaz qui aurait été submergée.

Éclairage DEL : Votre appareil est équipé d'une bande de lumières DEL qui est programmée avec trois modes de couleur. Branchez le bloc d'alimentation DEL dans une prise de courant protégée par un disjoncteur de fuite de terre.

Allumez l'interrupteur d'éclairage situé sous le panneau d'accès, puis allumez et fermez l'interrupteur de façon à faire défiler les modes de couleurs et sélectionner celui souhaité.

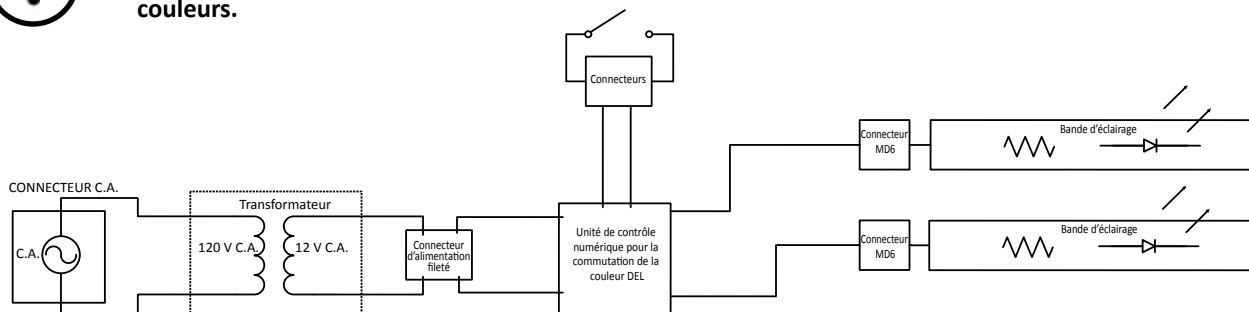
Mode 1 - Blanc.

Mode 2 - Changement de deux couleurs en continu. Prend de 8 à 10 secondes pour la gradation en douceur jusqu'à l'obtention de la pleine intensité d'une couleur, alors que l'autre s'estompe en passant de la pleine intensité à l'extinction complète. Changement continu des couleurs (17 secondes par couleur, y compris la gradation et la dégradation).

Mode 3 - Le mode Fixe empêche le changement de couleur en s'arrêtant sur la couleur active en mode 2 au moment où l'interrupteur a été fermé; le changement de couleur n'a plus lieu.



ATTENTION! Fermez l'interrupteur pendant 10 secondes pour retourner au début du mode de couleurs.



Instructions D'entretien et de Nettoyage



AVERTISSEMENT! Il est possible que les braises vitrifiées soient coupantes, portez donc des lunettes de sécurité et des gants protecteurs pour les manipuler. Ne pas changer ou substituer les braises vitrifiées fournies avec cet appareil. Si vous les remplacez, utilisez seulement des braises vitrifiées disponibles chez votre détaillant local autorisé.



AVERTISSEMENT! Afin d'éviter les risques de brûlures, attendez que l'appareil ait refroidi avant de procéder à l'entretien. Ne touchez pas aux surfaces chaudes sans protection adéquate. Assurez-vous que le brûleur est éteint. Avant de faire l'entretien de l'appareil, coupez l'alimentation en gaz à la source et débranchez-le. Nettoyez le l'appareil dans un endroit où les produits de nettoyage ne risquent pas d'endommager les terrasses, patios et pelouses. N'utilisez pas de nettoyeurs inflammables, corrosifs ou abrasifs.



Note : L'acier inoxydable a tendance à s'oxyder ou à tacher en présence de chlorures et de sulfures que l'on retrouve particulièrement dans les zones côtières ainsi que dans les environnements chauds et humides tels que les piscines et les spas. Ces taches peuvent être prises pour de la rouille mais il peuvent être facilement enlevées et même évitées. Afin de prévenir les taches, nettoyez toutes les surfaces en acier inoxydable à toutes les trois à quatre semaines ou au besoin avec de l'eau douce et un nettoyant à acier inoxydable.

Nettoyage Du Panneau De Contrôle : Le texte sur le panneau de contrôle est imprimé directement sur l'acier inoxydable. Avec un entretien adéquat, le texte demeurera toujours foncé et lisible. N'utilisez pas de détergents abrasifs (Ajax, Vim, Old Dutch etc.) pour nettoyer les surfaces en acier inoxydable, spécialement la partie imprimée du panneau de contrôle. Le texte disparaîtra graduellement si vous utilisez ces produits. Utilisez seulement le nettoyant d'acier inoxydable Napoléon, disponible chez votre détaillant Napoléon.



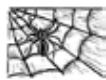
AVERTISSEMENT! Boyau: Vérifiez l'usure, coupures, craquelures ou s'il est fondu. Si vous découvrez une de ces défauts, n'utilisez pas votre l'appareil. Faites remplacer la pièce par votre détaillant NAPOLEON ou par un installateur qualifié.

Nettoyage de l'intérieur de l'appareil: Lorsque vous nettoyez le l'appareil, assurez-vous que la zone autour du brûleur et de l'assemblage de la veilleuse demeure sèche en tout temps.



AVERTISSEMENT! Si, d'une manière ou d'une autre, le bouton de contrôle du gaz entre en contact avec de l'eau, vous devrez le remplacer avant de pouvoir utiliser de nouveau le l'appareil.

Brûleur: Le brûleur est fabriqué à partir d'acier inoxydable 304 de gros calibre, mais la chaleur extrême et un environnement corrosif peuvent provoquer de la corrosion de surface. Cette corrosion peut être enlevée avec une brosse en laiton. Inspectez le brûleur au moins une fois par an pour détecter des fissures, des nids d'insectes, de la corrosion excessive ou tout autre dommage. Si le brûleur est endommagé, il doit être remplacé par un brûleur spécifié par le fabricant avant de mettre l'appareil en marche.



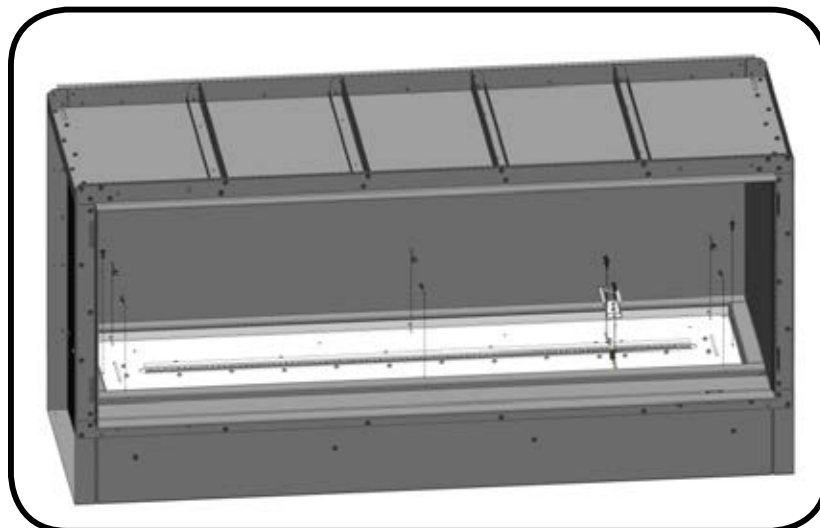
ATTENTION! Méfiez-vous des araignées.

Les araignées et les insectes sont attirés par l'odeur du propane et du gaz naturel. Le brûleur est équipé d'un grillage sur le volet d'air, ce qui réduit la probabilité que des insectes se construisent des nids dans le brûleur, mais n'élimine pas complètement le problème. La présence d'un nid ou d'une toile d'araignée dans le brûleur produira une flamme jaune pâle ou orangée ou causera un feu (retour de flamme) au niveau du volet d'air sous le panneau de commande. Voici d'autres signes qui peuvent indiquer un problème:

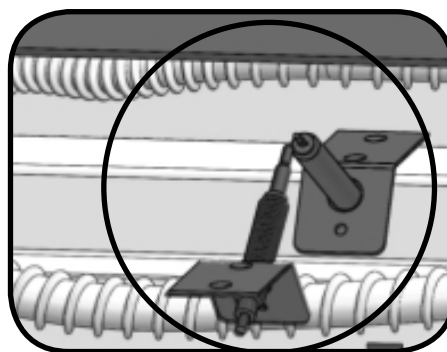
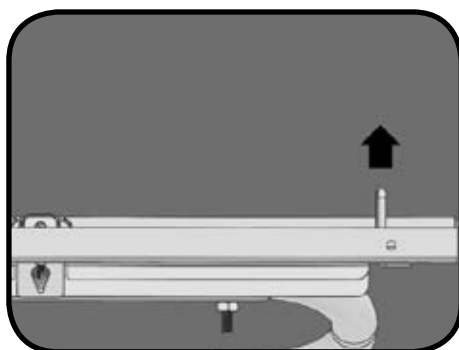
- Odeur forte ou inhabituelle se dégageant de l'appareil.
- Difficulté persistante ou retard d'allumage.
- Flamme très courte ou très longue.
- Flamme qui ne brûle qu'en partie sur le brûleur.
- Excès de suie s'accumulant sur les braises de verre.

Pour nettoyer l'intérieur du brûleur, retirez-le de l'appareil : enlevez le déflecteur en verre avant et les braises de verre, puis examinez le brûleur. S'il est sale, nettoyez-le avec une brosse métallique. Retirez les vis qui retiennent le plateau à braises et le pare-brise.

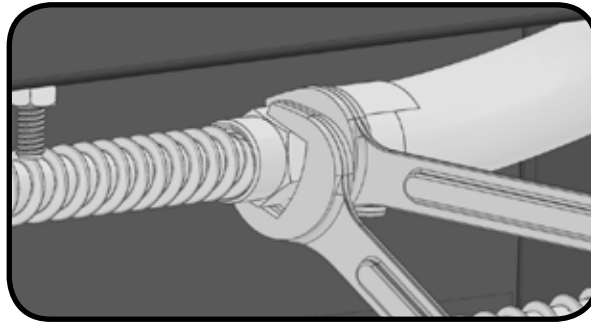
Nettoyage: Utilisez une brosse de venturi flexible pour nettoyer l'intérieur du brûleur. Secouez tous les débris hors du brûleur en les faisant sortir par l'ouverture de l'arrivée du gaz. Vérifiez si les orifices du brûleur et les orifices des soupapes sont obstrués. Les orifices des brûleurs peuvent s'obstruer au fil du temps en raison des débris et de la corrosion; utilisez un trombone ouvert ou un foret pour les nettoyer. Les orifices sont plus faciles à nettoyer si le brûleur est retiré de l'appareil, mais le nettoyage peut aussi être fait même si le brûleur est en place.



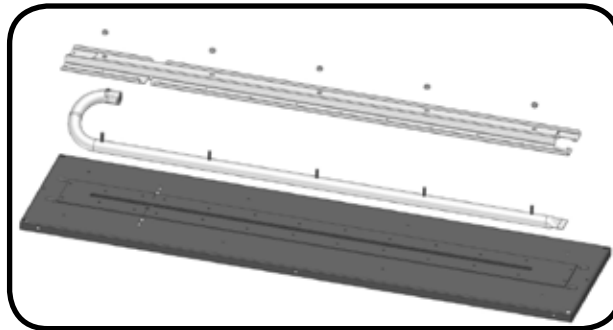
Soulevez le plateau à braises du foyer; en poussant par le haut, dégagez le thermocouple et l'allumeur du plateau à braises.



Retirez le tuyau flexible et l'injecteur du brûleur, puis retirez complètement le plateau à braises du foyer.

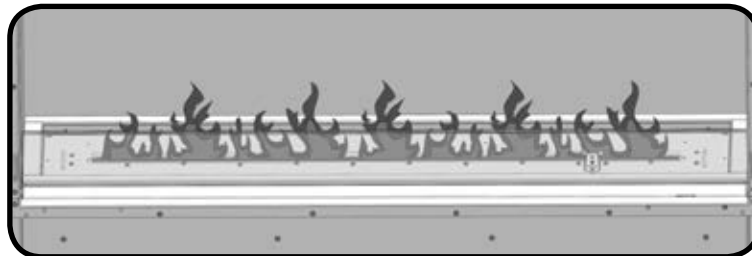


Lorsque le plateau à braises est retiré du foyer, tournez le plateau à braises à l'envers et enlevez les écrous du dessous du brûleur.

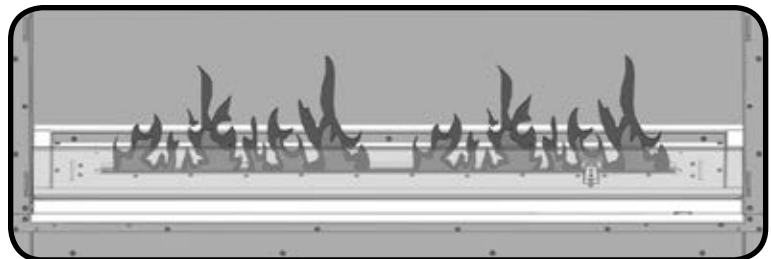


Réinstallation: Inversez la procédure pour réinstaller le brûleur en vous assurant que les trous sur le joint d'étanchéité entre le support du brûleur et le plateau à braises sont alignés. Vérifiez que l'injecteur entre dans le brûleur lors de l'installation. Remplacez les braises de verre et le déflecteur en verre avant. Lorsque l'appareil est remis en fonction, comparez l'apparence de la flamme du brûleur avec l'image ci-dessous.

NORMAL



ANORMAL



Nettoyage de la surface extérieure du le l'appareil : N'utilisez pas de produits nettoyants abrasifs ni de laine d'acier sur les pièces peintes ou en acier inoxydable de votre le l'appareil Napoléon. Vous égratignerez la surface. L'extérieur du le l'appareil doit être nettoyé à l'eau savonneuse tiède. Pour les surfaces en acier inoxydable, utilisez un nettoyant pour acier inoxydable ou un nettoyant non abrasif. Frottez toujours dans la direction du grain. Avec le temps, les pièces en acier inoxydable se décolorent à cause de la chaleur et prennent habituellement une teinte brune ou dorée. Cette décoloration est normale et n'affecte nullement le fonctionnement du le l'appareil.



AVERTISSEMENT! La zone autour du le l'appareil doit être dégagée et libre de matériaux combustibles, d'essence et autres vapeurs et liquides inflammables. Ne bloquez pas la circulation de l'air de combustion et de ventilation. Gardez l'ouverture de ventilation de l'enceinte de la bonbonne libre de débris.

Guide De Dépannage

FR

Problème	Causes possibles	Solutions
Faible chaleur/petite flamme lorsque le bouton de contrôle est à "high".	Pour le propane - procédure d'allumage incorrect. Pour le gaz naturel - tuyau d'alimentation trop petit.	Assurez-vous que la procédure d'allumage est suivie à la lettre. Tous les boutons de contrôle doivent être fermés lorsque vous ouvrez la soupape de la bonbonne. Tournez la soupape de la bonbonne lentement pour assurer l'équilibre de la pression. Voir les instructions d'allumage. La grosseur du tuyau doit être conforme au code d'installation.
Les flammes produites par les brûleurs sont jaunes et vous détectez une odeur de gaz.	Possibilité de toiles d'araignée ou autres débris.	Retirez le brûleur et nettoyez-le complètement. Consultez les instructions d'entretien.
Le brûleur ne s'allume pas avec l'allumeur mais s'allume avec une allumette.	La pile est déchargée ou installée incorrectement. Mauvais contact des fils de l'électrode et des terminaux. Mauvais écart du bout de l'électrode.	Remplacez la pile par une pile neuve. Vérifiez que les fils de l'électrode sont solidement enfoncés sur le terminal du module d'allumage. Vérifiez que les fils de raccordement du module au bouton d'allumeur sont solidement enfoncés sur chacun de leur terminal respectif. (si équipé) L'écart peut être corrigé en pliant ou en dépliant l'extrémité, jusqu'à ce qu'une étincelle se produise.
Le brûleur ne reste pas allumé lorsque le bouton de contrôle est relâché.	Le bouton ne reste pas enfoncé assez longtemps. Trop venteux. Du verre ou des débris dans la section d'allumage du brûleur empêchent le thermocouple d'être recouvert complètement par la flamme. Le thermocouple ou le raccord du thermocouple est sale. Thermocouple ou soupape défectueux.	Le thermocouple doit avoir le temps de se réchauffer – tenez le bouton enfoncé pendant 30 secondes après l'allumage du brûleur, puis relâchez. L'appareil s'éteindra si le vent est plus fort que 10 mi/h (16 km/h). Déplacez-le à un endroit moins venteux ou utilisez-le quand il vente moins fort. Assurez-vous qu'il n'y a pas de verre ni de débris dans la section d'allumage et que le petit trou sous le thermocouple n'est pas obstrué. Nettoyez le thermocouple et la connexion entre la soupape et le thermocouple. Vérifiez que la connexion est bien serrée. Remplacez le thermocouple et/ou la soupape.
Le régulateur murmure lorsque l'appareil fonctionne.	Problème normal par temps chaud.	Ceci n'est pas un défaut. Le murmure est causé par une vibration à l'intérieur du régulateur et n'affecte en rien la performance et la sécurité du gril à gaz. Les régulateurs émettant un murmure ne seront pas remplacés.

Problème	Causes possibles	Solutions
<p>Les contrôles sont réglés à "high" mais la chaleur générée par les brûleurs est trop basse.</p>	<p>Manque de gaz.</p> <p>Le tuyau d'alimentation en gaz est pincé.</p> <p>L'injecteur du brûleur est sale ou obstrué.</p> <p>Présence de toiles d'araignée ou autres débris dans le tube du venturi.</p> <p>Le régulateur de propane est en situation de "faible débit".</p>	<p>Vérifiez le niveau de propane dans la bonbonne.</p> <p>Remplacez le tuyau d'alimentation convenablement.</p> <p>Nettoyez l'injecteur du brûleur.</p> <p>Nettoyez le tube du venturi.</p> <p>Assurez-vous que la procédure d'allumage est suivie à la lettre. Tous les boutons de contrôle du grill doivent être fermés lorsque vous ouvrez la soupape de la bonbonne. Tournez la soupape de la bonbonne entement pour assurer l'équilibre de la pression. Voir les instructions d'allumage.</p>

GARDEZ VOTRE REÇU COMME PREUVE D'ACHAT POUR VALIDER VOTRE **Commande De Pièces De Rechange**

Information Sur La Garantie

MODÈLE: _____

DATE D'ACHAT: _____

NUMÉRO DE SÉRIE: _____

(Inscrivez l'information ici pour y avoir accès facilement.)

Avant de contacter le département du service aux consommateurs, consultez le site Web de NAC pour obtenir plus d'instructions sur le nettoyage, l'entretien, le dépannage et le remplacement des pièces à www.napoleongrills.com. Contactez le fabricant directement pour obtenir des pièces de rechange et faire des réclamations au titre de la garantie. Le département du service aux consommateurs est à votre disposition entre 9 h et 17 h (heure normale de l'Est) au 1-866-820-8686 ou par télécopieur au 705-727-4282. Pour qu'une réclamation soit traitée, l'information suivante est nécessaire :

1. Modèle et numéro de série de l'appareil.
2. Numéro de la pièce et description.
3. Description concise du problème (« brisé » n'est pas suffisant).
4. Preuve d'achat (copie de la facture).

Dans certains cas, le département du service aux consommateurs peut demander de retourner la pièce pour des fins d'inspection avant de fournir une pièce de rechange. Les pièces doivent être expédiées port payé à l'attention du département du service aux consommateurs avec l'information suivante :

1. Modèle et numéro de série de l'appareil.
2. Description concise du problème (« brisé » n'est pas suffisant).
3. Preuve d'achat (copie de la facture).
4. Numéro d'autorisation de retour - fourni par le représentant du département du service aux consommateurs.

Avant de contacter le service aux consommateurs, veuillez prendre note que les items suivants ne sont pas couverts par la garantie :

coûts de transport, de courtage et frais d'exportation;

coûts de main-d'oeuvre pour l'enlèvement et l'installation de la pièce;

coûts des appels de service pour diagnostiquer le problème;

décoloration des pièces en acier inoxydable;

bris des pièces causé par un manque d'entretien et de nettoyage, ou par l'utilisation de nettoyeurs inappropriés (nettoyant à fourneau).

Liste Des Pièces

Article	N° de pièce	Description	GSS48
1	n010-0761	cuve	x
2	n010-0779	plateau en verre / brûleur	x
	n300-0002	braises vitrifiées - topaze 2 x 7.5lb	x
3	n570-0008	vis #8 x 1/2"	x
4	n570-0020	vis #8-32 x 3/8"	x
7	n080-0274	support d'électrode - thermocouple	x
8	n680-0001	thermocouple	x
9	n240-0028	électrode	x
11	n585-0077	protecteur vent	x
12	n325-0074	poignée plateau en verre	x
13	n455-0066	injecteur de brûleur naturel #25	n
	w455-0076	injecteur de brûleur propane #43	p
14	n720-0062	tuyauterie flexible d'acier inoxydable 30" X 3/8"	x
15	n725-0049	soupape brûleur	x
	n450-0038	soupape brûleur écrou	x
16	n357-0013	allumeur électronique - 1 étincelles - AAA 1.5V	x
17	n043-0002	batterie, AAA 1.5V	x
18	n660-0002	commutez la lumière	x
19	n380-0019r	bouton de contrôle	x
21	n750-0026	harnais de fils (led)	x
	w160-0095	fil clip de retenue	x
22	n510-0002	pare-chocs (silicone noire)	x
23	n300-0003	verre trempé	x
24	n665-0012	support de fixation	x
25	n190-0002	controller led	x
26	n720-0044	tuyauterie flexible d'acier inoxydable 12" X 3/8"	x
27	w445-0031	ajustage de précision des syndicats (3/8 M de 1/2 M)	x
28	n200-0098	housse panneau de contrôle	x
	n570-0096	vis à oreilles	x
29	n707-0006	transformateur	x
30	n370-0662	moulage trousse - 1 per latérale	ac
	gss48cov	d'acier inoxydable couvrir	ac
	w530-0023	ensemble de tuyau de régulateur	ac
	mega	braises vitrifiées - ambre 1lb	ac
	megb	braises vitrifiées - bleu 1lb	ac
	megk	braises vitrifiées - noir 1lb	ac
	megr	braises vitrifiées - rouge 1lb	ac
	mkga	braises vitrifiées - ambre 6lb	ac
	mkgc	braises vitrifiées - claire 6lb	ac
	mkgk	braises vitrifiées - noir 6lb	ac
	mkgb	braises vitrifiées - bleu 6lb	ac

Liste Des Pièces

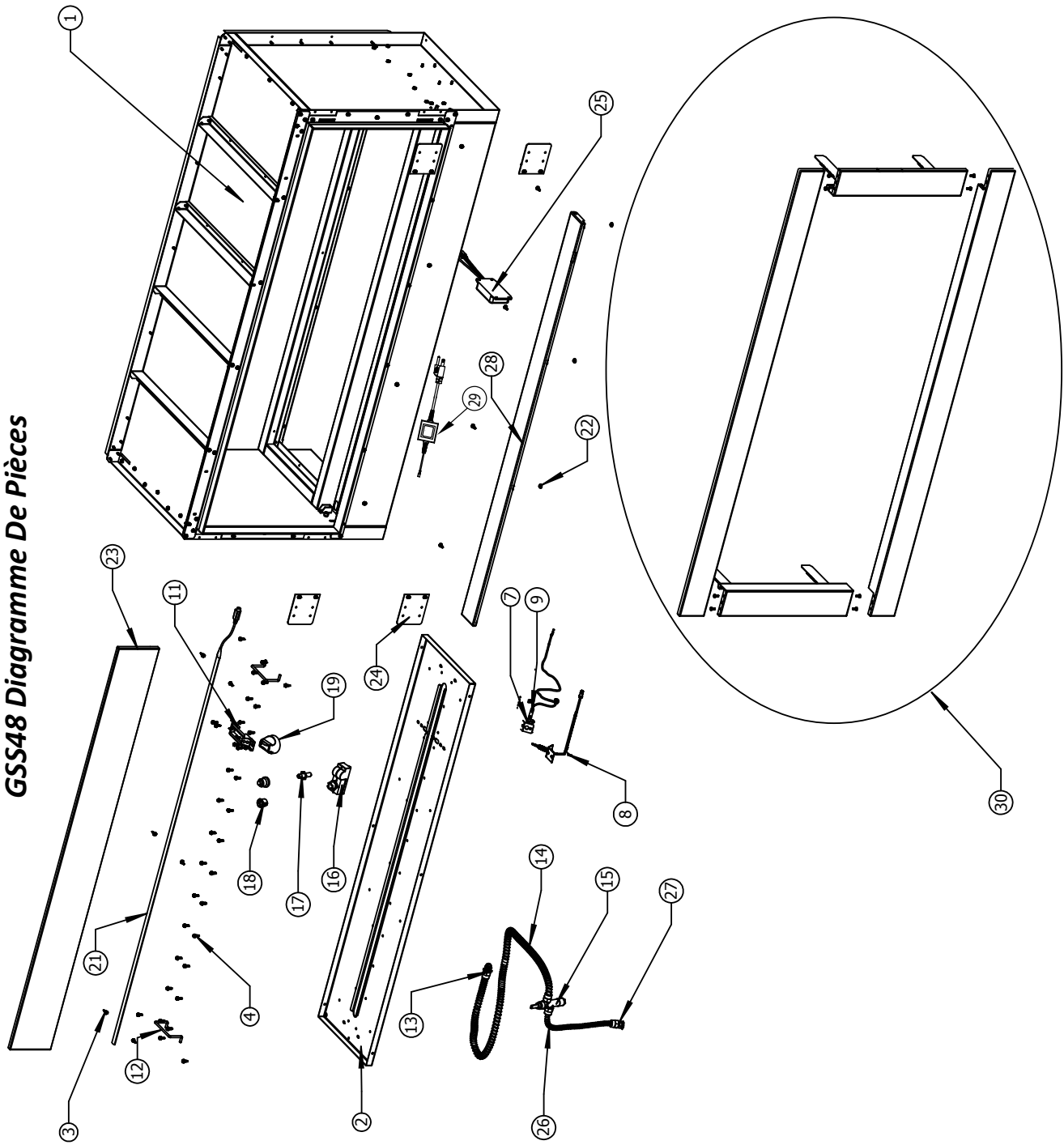
Article	N° de pièce	Description	GSS48
	mkgr	braises vitrifiées - rouge 6lb	ac
	mkry	roches de rivière grises	ac
	mkrm	roches de rivière multicolores	ac
	dl45	ensemble de bûches de bois flotté	ac

FR

x - compris
n - appareils gaz naturel seulement

p - appareils propane seulement
ac - accessoires

GSS48 Diagramme De Pièces



Liste Des Pièces

Article	N° de pièce	Description	GSS48ST
1	n010-0762	cuve	x
2	n010-0779	plateau en verre / brûleur	x
	n300-0002	braises vitrifiées - topaze 2 x 7.5lb	x
3	n570-0008	vis #8 x 1/2"	x
4	n570-0020	vis #8-32 x 3/8"	x
7	n080-0274	support d'électrode - thermocouple	x
8	n680-0001	thermocouple	x
9	n240-0028	électrode	x
11	n585-0077	protecteur vent	x
12	n325-0074	poignée plateau en verre	x
13	n455-0066	injecteur de brûleur naturel #25	n
	w455-0076	injecteur de brûleur propane #43	p
14	n720-0062	tuyauterie flexible d'acier inoxydable 30" X 3/8"	x
15	n725-0049	soupape brûleur	x
	n450-0038	soupape brûleur écrou	x
16	n357-0013	allumeur électronique - 1 étincelles - AAA 1.5V	x
17	n043-0002	batterie, AAA 1.5V	x
18	n660-0002	commutez la lumière	x
19	n380-0019r	bouton de contrôle	x
21	n750-0026	harnais de fils (led)	x
	w160-0095	fil clip de retenue	x
22	n510-0002	pare-chocs (silicone noire)	x
23	n300-0003	verre trempé	x
24	n665-0012	support de fixation	x
25	n190-0002	controller led	x
26	n720-0044	tuyauterie flexible d'acier inoxydable 12" X 3/8"	x
27	w445-0031	ajustage de précision des syndicats (3/8 M de 1/2 M)	x
28	n200-0098	housse panneau de contrôle	x
	n570-0096	vis à oreilles	x
29	n707-0006	transformateur	x
30	lt48ss	moulage trousse - 1 per latérale	ac
	w530-0023	ensemble de tuyau de régulateur	ac
	mega	braises vitrifiées - ambre 1lb	ac
	megb	braises vitrifiées - bleu 1lb	ac
	megk	braises vitrifiées - noir 1lb	ac
	megr	braises vitrifiées - rouge 1lb	ac
	mkga	braises vitrifiées - ambre 6lb	ac
	mkgc	braises vitrifiées - claire 6lb	ac
	mkgk	braises vitrifiées - noir 6lb	ac
	mkgb	braises vitrifiées - bleu 6lb	ac
	mkgr	braises vitrifiées - rouge 6lb	ac

Liste Des Pièces

Article	N° de pièce	Description	GSS48ST
	mkry	roches de rivière grises	ac
	mkrm	roches de rivière multicolores	ac
	dl45	ensemble de bûches de bois flotté	ac

x - compris

n - appareils gaz naturel seulement

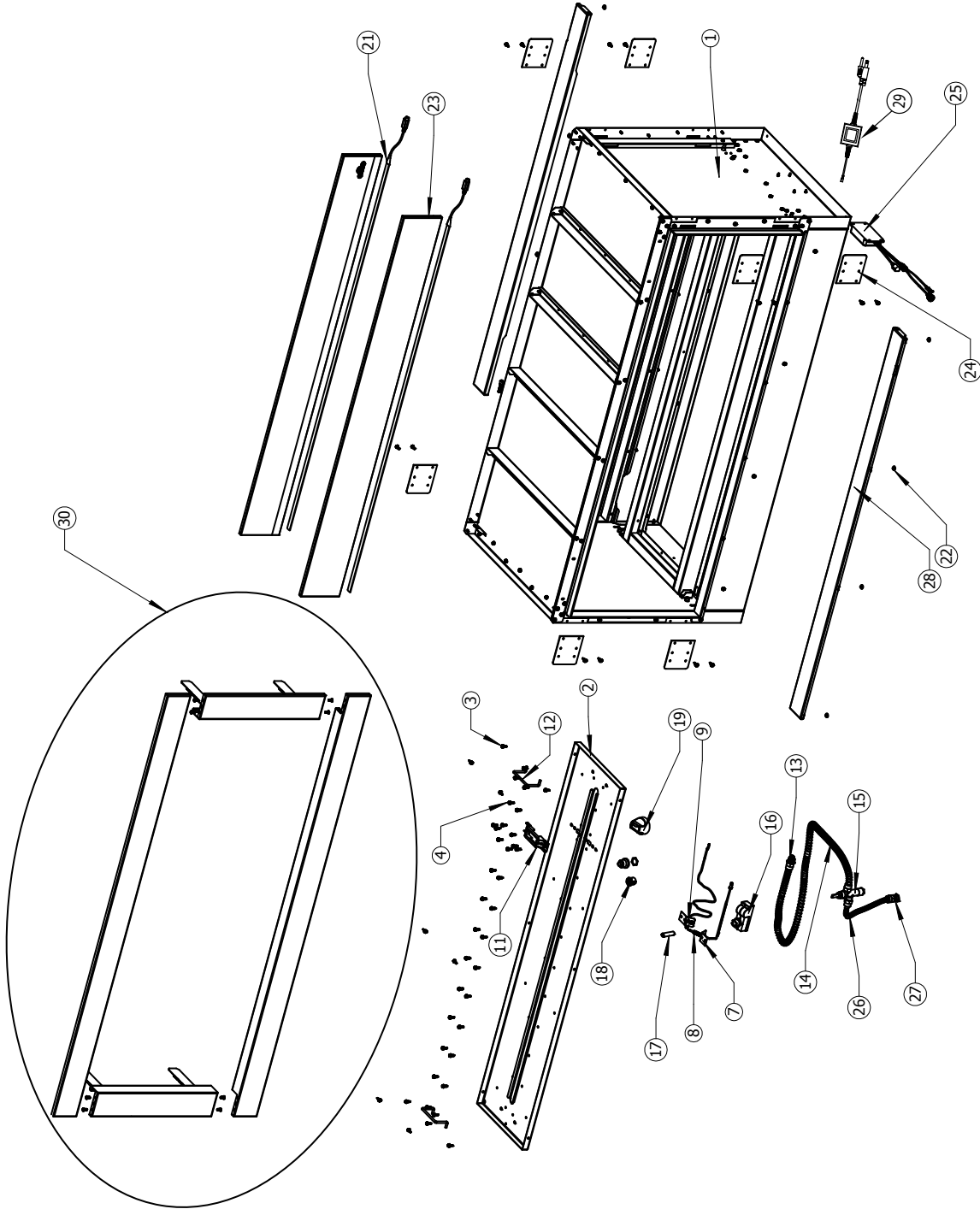
p - appareils propane seulement

ac - accessoires

FR

FR

GSS48ST Diagramme De Pièces





TÉLÉCOPIEZ AU: 705 727 4282

FR

BON DE COMMANDE POUR PIÈCES/ACCESSOIRES

NOM DU CLIENT _____

ADRESSE: _____

TÉLÉPHONE : _____ FAX : _____

EMAIL: _____

VISA OU MASTERCARD : _____ DATE D'EXPIRATION : _____

SIGNATURE: _____

QUANTITÉ	NUMÉRO DE PRODUIT	DESCRIPTION

LES TAXES PEUVENT S'APPLIQUER
LES FRAIS D'EXPEDITION SUPPLÉMENTAIRE

**SI VOUS DÉSIREZ RECEVOIR UNE CONFIRMATION, VEUILLEZ INCLURE UN NUMÉRO DE
TÉLÉCOPIEUR OU UNE ADRESSE COURRIEL**



N415-0270