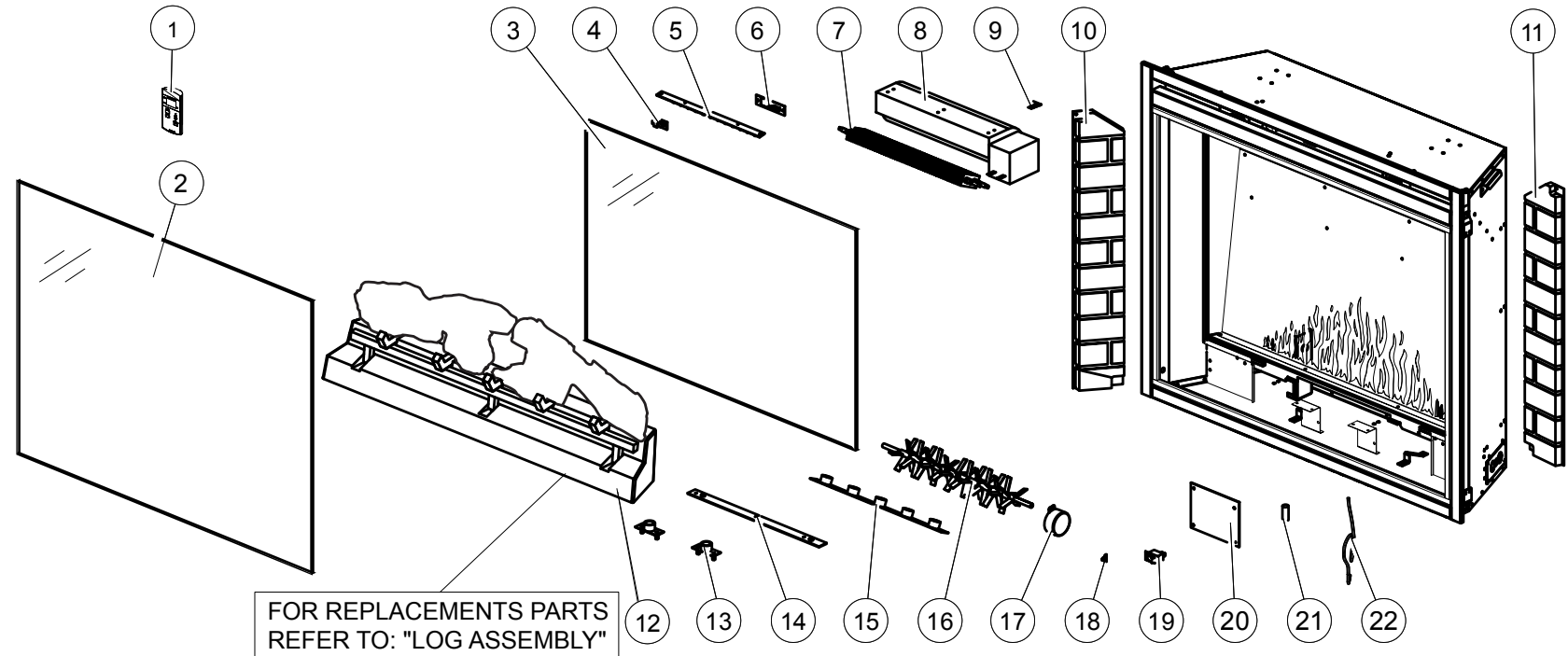


BEF33H OVERVIEW



ITEMS MAY NOT APPEAR EXACTLY AS ILLUSTRATED

REF. #	PART NO.	DESCRIPTION	REF. #	PART NO.	DESCRIPTION
1	G660-0003-SER	REMOTE CONTROL TRANSMITTER	12	W010-3317-SER	LOG ASSEMBLY
2	W300-0180-SER	DOOR GLASS FRAME ASSEMBLY	13	W405-0015-SER	LOG LED LIGHT (X2)
3	W300-0181-SER	FLAME GLASS	14	W405-0014-SER	EMBER LED LIGHT WITH SPACER
4	G190-0002-SER	REMOTE CONTROL RECEIVER BOARD	15	W405-0013-SER	FLAME LED LIGHT
5	G405-0007-SER	DECORATIVE LED LIGHT WITH SPACER	16	W010-3145-SER	REFLECTOR WITH BUSHING & ADAPTOR
6	W190-0068-SER	CONTROL PANEL	17	W435-0059-SER	SYNCHRONOUS MOTOR
7	W245-0041-SER	HEATING ELEMENTS	18	G190-0001-SER	TEMPERATURE SENSOR
8	W062-0052-SER	BLOWER	19	W660-0153-SER	SWITCH ON/OFF
9	W660-0157-SER	HIGH LIMIT SWITCH	20	W190-0065-SER	MAIN PCB BOARD WITH SPACER
10	W475-0952-SER	LEFT SIDE BRICK PANEL	21	W285-0002-SER	FUSE 2 Amp (Ø5X20mm)
11	W475-0953-SER	RIGHT SIDE BRICK PANEL	22	W750-0310-SER	WIRE ASSEMBLY