

NAPOLEON[®]
FIREPLACES



High Country™ 3000 Hybrid shown with painted black cast iron double doors and modern surround.

NOW AVAILABLE



**HIGH COUNTRY™ 3000 HYBRID
PRODUCT CODE: NZ3000H
WOOD BURNING FIREPLACE**



For more information or to place an order call 1-800-461-5581 or visit napoleonfireplaces.com

High Country™ 3000 Hybrid

Napoleon's new High Country™ 3000 Hybrid has changed to a catalytic fireplace, yes, just like your car. This fireplace has lower emissions than its predecessor and burns up to 25% longer, thus a more efficient model and it maintains its heater status.

Product Features

- 43 1/4" h x 42" w x 29 1/4" d
- New catalyst added
- Burns 25% longer than previous model
- Fascinating display of YELLOW DANCING FLAMES®
- Lower emissions of 3.25g/hr
- Decorative knob allows the operator to bypass the catalyst temporarily, increasing the air flow through the unit to aide in starting a fire or reloading fuel
- Digital catalyst temperature monitor allows the operator to ensure their fireplace is always within the optimal temperature range to provide lowest emissions possible
- Improved air wash system allows glass doors to stay cleaner
- Cast iron baffle and bypass door for durability
- Cast iron front doors provide consistent seal

Features/Options/Accessories



Heritage Surround with Black Cast Doors



Modern Surround with Black Cast Doors



Wrought Iron Surround and Doors



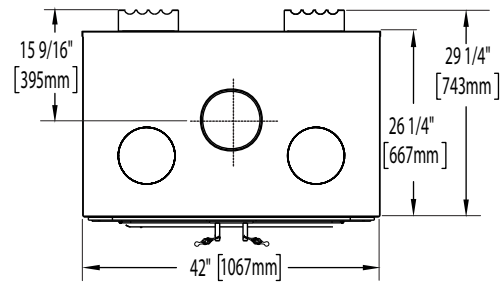
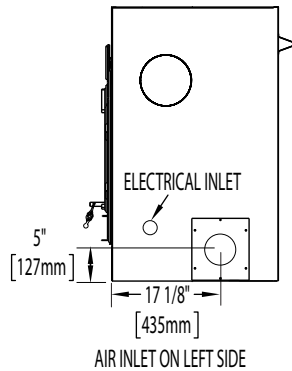
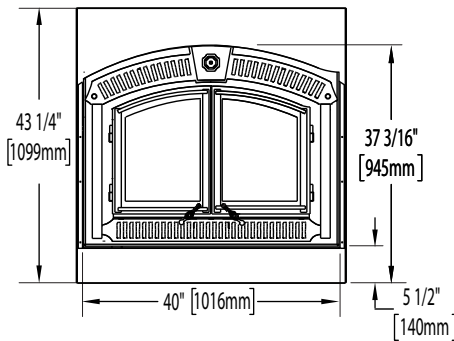
Optional heat resistant gloves



Steel andirons in charcoal finish



Napoleon handle



Product Code	BTU's Heat Output*	BTU's Heat Output (High Burn)**	Firebox Capacity (cu. ft.)	Area Heated (sq. ft.)	Burn Time (Hours)	Log Size (Max)	Emissions (Grams Per Hour)	Chimney Diameter	Outside Air for Combustion	Mobile Home Approved	Central Heating and/or Blower	Glass Size (x2)		Weight of Bricks	Weight without Bricks
												Width	Height		
NZ3000H	9,000 - 22,500	60,000	2.3	2000+	17	25"	3.25	7"	Yes	No	Optional	12 1/2"	17"	103 lbs	448 lbs

Certified under Canadian and American National Standards
 Figures may vary with individual conditions such as floor plan layout, insulation value/heat loss of the house and geographical location.

Consult your owner's manual for complete installation instructions, accurate framing dimensions and proper clearances to combustible material. Check all local and national building codes and gas regulations. All specifications are subject to change without prior notice due to on-going product improvements. Products may not be exactly as shown. Napoleon® is a registered trademark of Wolf Steel Ltd. © Wolf Steel Ltd.



Authorized Dealer

24 Napoleon Road, Barrie, Ontario, Canada L4M 0G8
 103 Miller Drive, Crittenden, Kentucky, USA 41030
 7200 Trans Canada Highway, Montreal, Quebec, Canada H4T 1A3
 Tel: 705-721-1212 Fax: 705-722-6031
 napoleonfireplaces.com

