

LOGS OR GLASS? BOTH!

NEW TRANQUILLE™ 30
BUILT-IN ELECTRIC FIREPLACE



napoleonfireplaces.com

Tranquille™ 30

Napoleon's Tranquille™ 30 Electric Fireplace comes complete with both a log set and CRYSTALINE™ glass ember bed ensuring a seamless match to your style and tastes, plus you can change it up anytime the mood strikes. Instantly change a boring room into the beautiful space it can be with the ambiance and warmth of an electric fireplace focal point. The convenient on/off switch on the unit or the remote allow you to relax, while remaining in total control of the flame and ember bed brightness. The Tranquille™ 30 reflective rear panel mirrors the flames giving you fireplace depth without actually taking up space.

Product Features

- 5,000 BTU's and 1,500 Watts
- A modern 30" clean face electric fireplace with a realistic traditional log set and crystal ember bed that looks great in both a mantel or drywall installation
- Comes with both the log set and the crystal ember bed. Choose one now and change it up later!
- Tinted reflection panels give the illusion of a deeper, larger firebox
- Exclusive ULTRA BRIGHT™ LED overhead NIGHT LIGHT™ as well as flame colors can be set on orange, blue or multi.
- Easy installation... simply plug it in and enjoy—convenient for homeowners who are limited with venting options
- Offers an open view of the fire with it's luxurious pewter finish and modern frame design
- Adjustable temperature control keeps your comfort level exactly where you want it
- Easy access on/off switch
- Comes with full feature remote that controls thermostat, heat settings, flame settings, timer, NIGHT LIGHT™, on/off and more



Electric fireplace
A division of
Napoleon Hearth
products



Safe to touch
Never hot enough to
burn



**ULTRA BRIGHT™
LED lights**
provide day or
night intensity



Eco-friendly
zone heating
provides economical
heating solutions



Can be recessed
for a less obtrusive
footprint in your
room



Adjustable flame color
Feature the option of both
blue or orange flame, or a
combination of both



Multi-function remote
controls thermostat, heat
settings, flame settings, timer,
NIGHT LIGHT™, on/off



Adjustable temperature
adjust the heat being
produced by choosing a
temperature



Adjustable fan control
place the fan on 3
different settings to
blow into the room



Plug-in
simply plug in and
your fireplace is ready



Tranquille™ 30 with CRYSTALINE™ glass ember bed
and flame color set on multi.



Tranquille™ 30 with log set and flame color
set on blue.



Finally, you don't have to choose if you want a traditional log set or the modern glass ember bed. You can have them both! The Tranquille™ 30 comes with both sets of media which you can change up as often as you like. Go traditional with the realistic glowing log set (shown above) or strike modern with the CRYSTALINE™ ember bed (shown below).



Features / Options / Accessories



Flame color options
Multi, Orange or Blue



NIGHT LIGHT™ Color Options
Multi, Orange or Blue



Realistic glowing log set



Exclusive CRYSTALINE™ ember bed



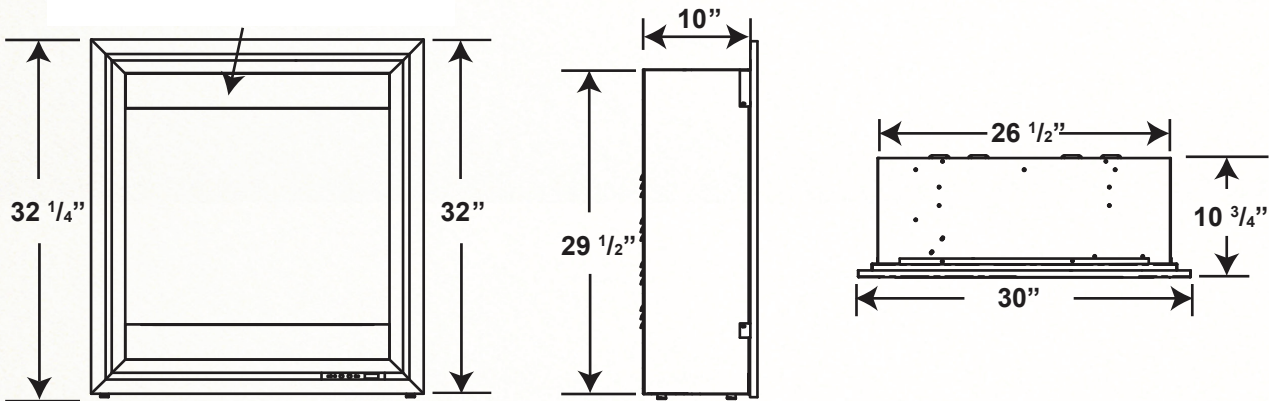
Remote Control

Specifications

Product Code	BTU's (Input)	Watts	Voltage	Amps	Height		Front Width		Depth		Viewing Area	
					Actual	Framing	Actual	Framing	Actual	Framing	Height	Width
NEFB30GL	5,000	1,500	120V AC	15	32 1/4"	31 1/2"	30"	29"	10 3/4"	11 3/4"	26 3/8"	24 3/8"

Certified under Canadian and American National Standards

Figures may vary with individual conditions such as floor plan layout, insulation value/heat loss of the house and geographical location.



Authorized Dealer



24 Napoleon Road, Barrie, Ontario, Canada L4M 0G8
103 Miller Drive, Crittenden, Kentucky, USA 41030
7200 Trans Canada Highway, Montreal, Quebec, Canada H4T 1A3

Tel: 705-721-1212 Fax: 705-722-6031
napoleonfireplaces.com



Consult your owner's manual for complete installation instructions, accurate framing dimensions and proper clearances to combustible material. Check all local and national building codes. All specifications are subject to change without prior notice due to on-going product improvements. Products may not be exactly as shown. Napoleon is a registered trademark of Wolf Steel Ltd. © Wolf Steel inc.

Printed in Canada
10/2016