

**INSTALLER: LEAVE THIS MANUAL WITH THE APPLIANCE.
CONSUMER: RETAIN THIS MANUAL FOR FUTURE REFERENCE.
NEVER LEAVE CHILDREN OR OTHER AT RISK INDIVIDUALS ALONE WITH THE APPLIANCE.**



INSTALLATION AND OPERATING INSTRUCTIONS

CERTIFIED UNDER CANADIAN AND AMERICAN NATIONAL STANDARDS: CSA 2.33 • ANSI Z21.88 FOR VENTED GAS FIREPLACE HEATERS

**CDV36NTR
BCDV36NTR**
NATURAL GAS MODEL

CERTIFIED FOR CANADA AND UNITED STATES USING ANSI/CSA METHODS.

SAFETY INFORMATION

WARNING

If the information in these instructions are not followed exactly, a fire or explosion may result causing property damage, personal injury or loss of life.

- Do not store or use gasoline or other flammable vapors and liquids in the vicinity of this or any other appliance.
- **WHAT TO DO IF YOU SMELL GAS:**
 - Do not try to light any appliance.
 - Do not touch any electrical switch; do not use any phone in your building.
 - Immediately call your gas supplier from a neighbour's phone. Follow the gas supplier's instructions.
 - If you cannot reach your gas supplier, call the fire department.
- Installation and service must be performed by a qualified installer, service agency or the supplier.

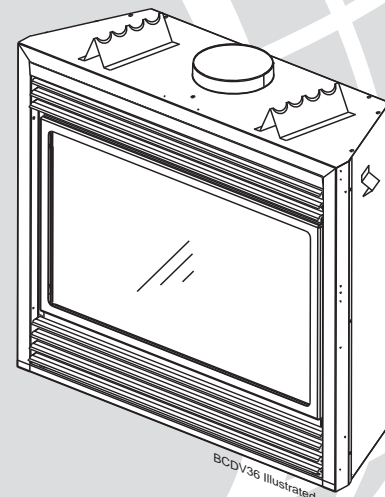
This appliance may be installed in an aftermarket, permanently located, manufactured home (USA only) or mobile home, where not prohibited by local codes.

This appliance is only for use with the type of gas indicated on the rating plate. This appliance is not convertible for use with other gases, unless a certified kit is used.

APPLY SERIAL NUMBER LABEL FROM CARTON



**CDV36PTR
BCDV36PTR**
PROPANE GAS MODEL



WARNING

HOT GLASS WILL CAUSE BURNS.

DO NOT TOUCH GLASS UNTIL COOLED.

NEVER ALLOW CHILDREN TO TOUCH GLASS.



Wolf Steel Ltd., 24 Napoleon Rd., Barrie, ON, L4M 0G8 Canada /
103 Miller Drive, Crittenden, Kentucky, USA, 41030
Phone (705)721-1212 • Fax (705)722-6031 • www.continentalfireplaces.com • ask@continentalfire.on.ca

TABLE OF CONTENTS

1.0	INSTALLATION OVERVIEW	3
2.0	INTRODUCTION	4
2.1	CDV36 DIMENSIONS	5
2.2	BCDV36 DIMENSIONS	5
2.3	GENERAL INSTRUCTIONS	5
2.4	GENERAL INFORMATION	6
2.5	RATING PLATE INFORMATION	7
3.0	VENTING	7
3.1	VENTING LENGTHS AND COMPONENTS	8
3.2	TYPICAL VENT INSTALLATION	9
3.3	SPECIAL VENT INSTALLATIONS	11
3.3.1	PERISCOPE TERMINATION (CDV36 AND BCDV36)	11
3.3.2	CORNER TERMINATION	11
3.4	MINIMUM AIR TERMINAL LOCATION CLEARANCES	12
3.5	VENTING APPLICATION FLOW CHART	13
3.6	DEFINITIONS	14
3.7	ELBOW VENT LENGTH VALUES	14
3.8	TOP EXIT HORIZONTAL TERMINATION	15
3.9	REAR EXIT HORIZONTAL TERMINATION	17
3.10	TOP OR REAR EXIT VERTICAL TERMINATION	19
4.0	PRE-INSTALLATION PREPARATION	21
4.1	CDV36 REAR EXIT	21
4.2	CDV36 TOP EXIT	21
4.3	BCDV36 REAR EXIT	22
4.4	BCDV36 TOP VENT	22
5.0	INSTALLATION	22
5.1	WALL AND CEILING PROTECTION	22
5.1.1	CDV36 HORIZONTAL INSTALLATION	23
5.1.2	BCDV36 HORIZONTAL INSTALLATION	24
5.1.3	VERTICAL INSTALLATION	24
5.2	USING FLEXIBLE VENT COMPONENTS	25
5.2.1	HORIZONTAL AIR TERMINAL INSTALLATION	25
5.2.2	VERTICAL AIR TERMINAL INSTALLATION	26
5.2.3	APPLIANCE VENT CONNECTION	26
5.3	USING RIGID VENT COMPONENTS	27
5.3.1	HORIZONTAL AIR TERMINAL INSTALLATION	27
5.3.2	EXTENDED HORIZONTAL AND CORNER TERMINAL INSTALLATION	27
5.3.3	VERTICAL AIR TERMINAL INSTALLATION	28
5.3.4	CDV36 RESTRICTING VERTICAL VENTS	28
5.4	VERTICAL THROUGH EXISTING CHIMNEY	29
5.5	MOBILE HOME INSTALLATION	30
5.6	GAS INSTALLATION	31
5.7	OPTIONAL WALL SWITCH	32
6.0	FRAMING	32
6.1	CDV36 FRAMING	32
6.1.1	MINIMUM FRAMING DIMENSIONS	34
6.2	BCDV36 FRAMING	35
6.2.1	MINIMUM FRAMING DIMENSIONS	36
6.3	MINIMUM ENCLOSURE CLEARANCES	37
6.3.1	CDV36	37
6.3.2	BCDV36	38
6.4	ALCOVE CLEARANCES	39
6.5	MINIMUM MANTEL CLEARANCES	40
6.6	BCDV36 NAILING TAB INSTALLATION	40
7.0	FINISHING	41
7.1	DOOR REMOVAL AND INSTALLATION	41
7.2	LOUVRE INSTALLATION	42
7.3	LOG PLACEMENT	43
7.4	CHARCOAL EMBERS	44
7.5	VERMICULITE (MODEL CDV36 ONLY)	44
7.6	GLOWING EMBERS	44
7.7	LOGO PLACEMENT	44
7.8	OPTIONAL ROCK KIT	45
8.0	OPTIONAL BLOWER INSTALLATION	46
9.0	OPERATION	48
10.0	ADJUSTMENT	49
10.1	PILOT BURNER ADJUSTMENT	49
10.2	VENTURI ADJUSTMENT	49
10.3	FLAME CHARACTERISTICS	50
11.0	MAINTENANCE	50
11.1	DOOR GLASS REPLACEMENT	51
11.2	CARE OF GLASS	51
12.0	REPLACEMENTS	52
13.0	TROUBLESHOOTING	56
14.0	WARRANTY	58
15.0	SERVICE HISTORY	59

NOTE: Changes, other than editorial, are denoted by a vertical line in the margin.

1.0 INSTALLATION OVERVIEW

See the section "MINIMUM ENCLOSURE CLEARANCES" for drywall (or other combustible material).

See the section "MINIMUM MANTEL CLEARANCES".

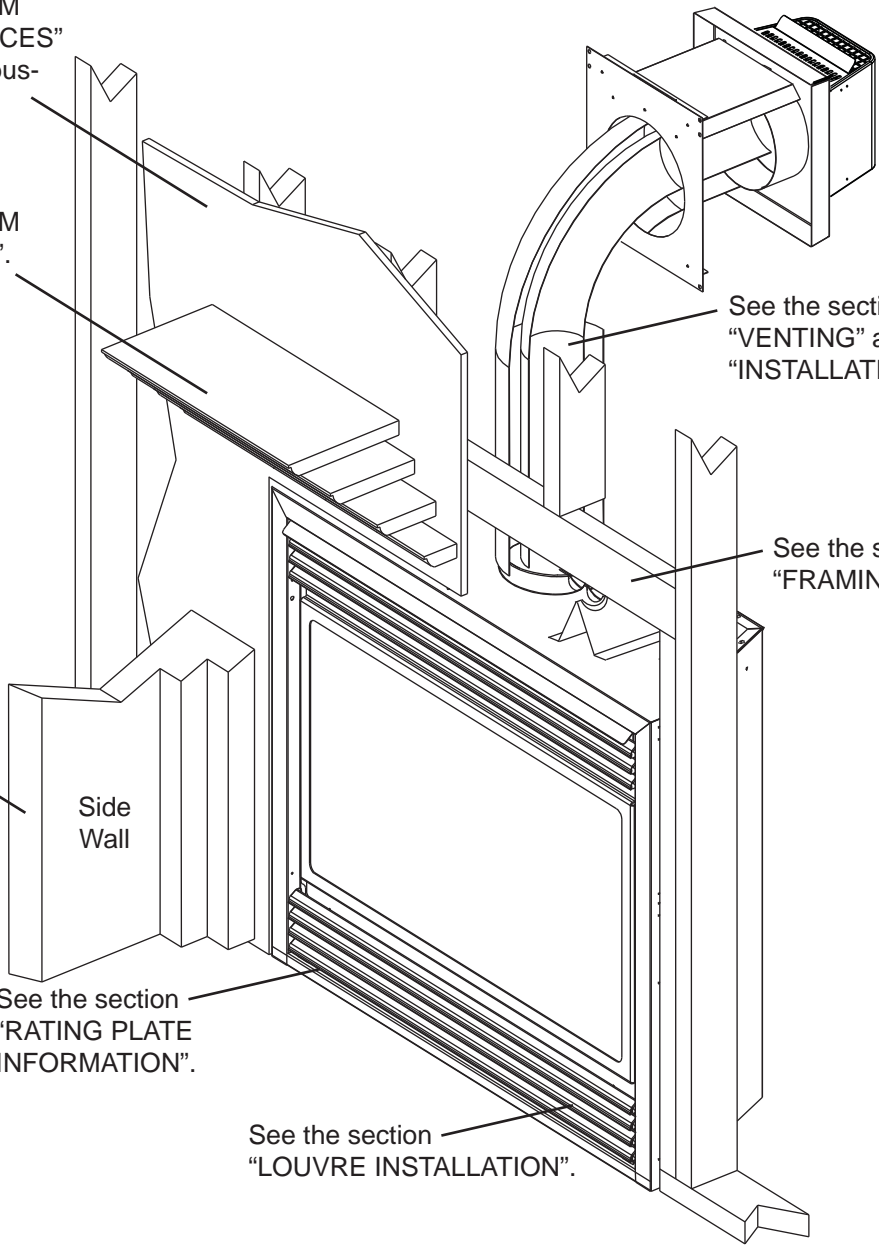
See the section "VENTING" and "INSTALLATION".

See the section "FRAMING".

See the section "FRAMING".

See the section "RATING PLATE INFORMATION".

See the section "LOUVRE INSTALLATION".



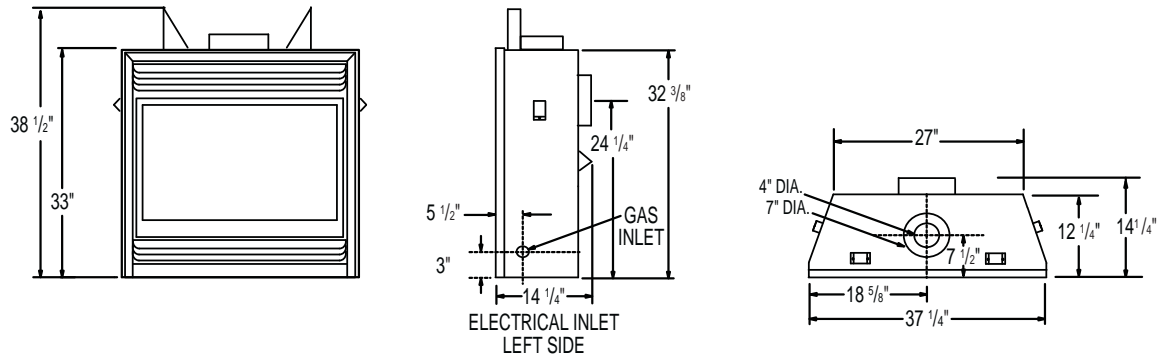
2.0 INTRODUCTION

WARNING

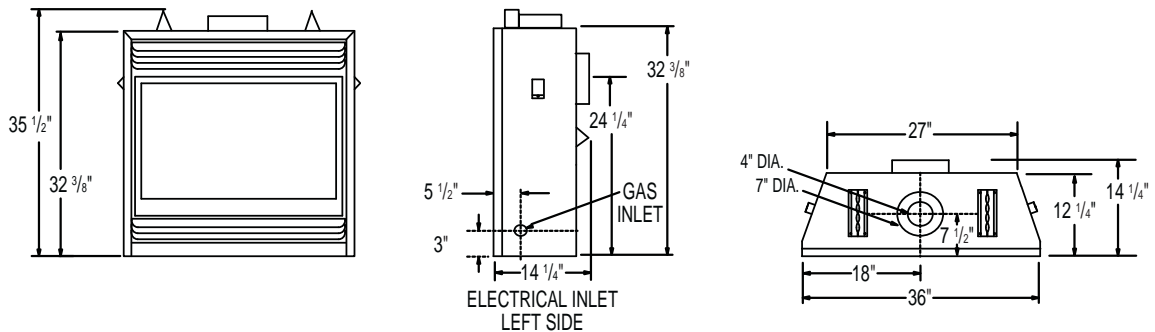
- **THIS APPLIANCE IS HOT WHEN OPERATED AND CAN CAUSE SEVERE BURNS IF CONTACTED.**
- **ANY CHANGES TO THIS APPLIANCE OR IT'S CONTROLS CAN BE DANGEROUS AND IS PROHIBITED.**
- Do not operate appliance before reading and understanding operating instructions. Failure to operate appliance according to operating instructions could cause fire or injury.
- Risk of fire or asphyxiation do not operate appliance with fixed glass removed.
- Do not connect 110 volts to the control valve.
- Risk of burns. The appliance should be turned off and cooled before servicing.
- Do not install damaged, incomplete or substitute components.
- Risk of cuts and abrasions. Wear protective gloves and safety glasses during installation. Sheet metal edges may be sharp.
- Do not burn wood or other materials in this appliance.
- Children and adults should be alerted to the hazards of high surface temperature and should stay away to avoid burns or clothing ignition.
- Young children should be carefully supervised when they are in the same room as the appliance. Toddlers, young children and others may be susceptible to accidental contact burns. A physical barrier is recommended if there are at risk individuals in the house. To restrict access to an appliance or stove, install an adjustable safety gate to keep toddlers, young children and other at risk individuals out of the room and away from hot surfaces.
- Clothing or other flammable material should not be placed on or near the appliance.
- Due to high temperatures, the appliance should be located out of traffic and away from furniture and draperies.
- Ensure you have incorporated adequate safety measure to protect infants/toddlers from touching hot surfaces.
- Even after the appliance is out, the glass and/or screen will remain hot for an extended period of time.
- Check with your local hearth specialty dealer for safety screens and hearth guards to protect children from hot surfaces. These screens and guards must be fastened to the floor.
- Any safety screen or guard removed for servicing must be replaced prior to operating the appliance.
- The appliance is a vented gas-fired appliance. Do not burn wood or other materials in the appliance.
- It is imperative that the control compartments, burners and circulating blower and its passageway in the appliance and venting system are kept clean. The appliance and its venting system should be inspected before use and at least annually by a qualified service person. More frequent cleaning may be required due to excessive lint from carpeting, bedding material, etc. The appliance area must be kept clear and free from combustible materials, gasoline and other flammable vapors and liquids.
- Under no circumstances should this appliance be modified.
- This appliance must not be connected to a chimney flue pipe serving a separate solid fuel burning appliance.
- Do not use this appliance if any part has been under water. Immediately call a qualified service technician to inspect the appliance and to replace any part of the control system and any gas control which has been under water.
- Do not operate the appliance with the glass door removed, cracked or broken. Replacement of the glass should be done by a licensed or qualified service person.
- Do not strike or slam shut the appliance glass door.
- When equipped with pressure relief doors, they must be kept closed while the appliance is operating to prevent exhaust fumes containing carbon monoxide, from entering into the home. Temperatures of the exhaust escaping through these openings can also cause the surrounding combustible materials to overheat and catch fire. Only doors / optional fronts certified with the unit are to be installed on the appliance.
- Only doors / optional fronts certified with the unit are to be installed on the appliance.
- Keep the packaging material out of reach of children and dispose of the material in a safe manner. As with all plastic bags, these are not toys and should be kept away from children and infants.
- As with any combustion appliance, we recommend having your appliance regularly inspected and serviced as well as having a Carbon Monoxide Detector installed in the same area to defend you and your family against Carbon Monoxide.
- Ensure clearances to combustibles are maintained when building a mantel or shelves above the appliance. Elevated temperatures on the wall or in the air above the appliance can cause melting, discolouration or damage to decorations, a T.V. or other electronic components.
- This appliance uses and requires a fast acting thermocouple. Replace only with a fast acting thermocouple supplied by Wolf Steel Ltd.

3.1C

2.1 CDV36 DIMENSIONS



2.2 BCDV36 DIMENSIONS



2.3 GENERAL INSTRUCTIONS

! WARNING
ALWAYS LIGHT THE PILOT WHETHER FOR THE FIRST TIME OR IF THE GAS SUPPLY HAS RUN OUT, WITH THE GLASS DOOR OPENED OR REMOVED.
PROVIDE ADEQUATE CLEARANCE FOR SERVICING AND OPERATING THE APPLIANCE.
PROVIDE ADEQUATE VENTILATION.
NEVER OBSTRUCT THE FRONT OPENING OF THE APPLIANCE.
OBJECTS PLACED IN FRONT OF THE APPLIANCE MUST BE KEPT A MINIMUM OF 48" FROM THE FRONT FACE OF THE APPLIANCE.
SURFACES AROUND AND ESPECIALLY ABOVE THE APPLIANCE CAN BECOME HOT. AVOID CONTACT WHEN THE APPLIANCE IS OPERATING.
FIRE RISK. EXPLOSION HAZARD.
HIGH PRESSURE WILL DAMAGE VALVE. DISCONNECT GAS SUPPLY PIPING BEFORE PRESSURE TESTING GAS LINE AT TEST PRESSURES ABOVE 1/2 PSIG. CLOSE THE MANUAL SHUT-OFF VALVE BEFORE PRESSURE TESTING GAS LINE AT TEST PRESSURES EQUAL TO OR LESS THAN 1/2 PSIG.
USE ONLY WOLF STEEL APPROVED OPTIONAL ACCESSORIES AND REPLACEMENT PARTS WITH THIS APPLIANCE. USING NON-LISTED ACCESSORIES (BLOWERS, DOORS, LOUVRES, TRIMS, GAS COMPONENTS, VENTING COMPONENTS, ETC.) COULD RESULT IN A SAFETY HAZARD AND WILL VOID THE WARRANTY AND CERTIFICATION.

THIS GAS APPLIANCE SHOULD BE INSTALLED AND SERVICED BY A QUALIFIED INSTALLER to conform with local codes. Installation practices vary from region to region and it is important to know the specifics that apply to your area, for example in Massachusetts State:

- This product must be installed by a licensed plumber or gas fitter when installed within the commonwealth of Massachusetts.
- The appliance damper must be removed or welded in the open position prior to installation of an appliance insert or gas log.
- The appliance off valve must be a "T" handle gas cock.
- The flexible connector must not be longer than 36 inches.
- A Carbon Monoxide detector is required in all rooms containing gas fired appliances.
- The appliance is not approved for installation in a bedroom or bathroom unless the unit is a direct vent sealed combustion product.

The installation must conform with local codes or, in absence of local codes, the National Gas and Propane Installation Code CSA B149.1 in Canada, or the National Fuel Gas Code, ANSI Z223.1 / NFPA 54 in the United States. Suitable for mobile home installation if installed in accordance with the current standard CAN/CSA Z240MH Series, for gas equipped mobile homes, in Canada or ANSI Z223.1 and NFPA 54 in the United States.



NATIONAL FIREPLACE INSTITUTE
NFI
CERTIFIED
www.nficertified.org

We suggest that our gas hearth products be installed and serviced by professionals who are certified in the U.S. by the National Fireplace Institute® (NFI) as NFI Gas Specialists

As long as the required clearance to combustibles is maintained, the most desirable and beneficial location for an appliance is in the center of a building, thereby allowing the most efficient use of the heat created. The location of windows, doors and the traffic flow in the room where the appliance is to be located should be considered. If possible, you should choose a location where the vent will pass through the house without cutting a floor or roof joist.

If the appliance is installed directly on carpeting, vinyl tile or other combustible material other than wood flooring, the appliance shall be installed on a metal or wood panel extending the full width and depth.

Some appliances have optional fans or blowers. If an optional fan or blower is installed, the junction box must be electrically connected and grounded in accordance with local codes, use the current CSA C22.1 Canadian Electrical Code in Canada or the ANSI/NFPA 70 National Electrical code in the United States.

4.1A

2.4 GENERAL INFORMATION

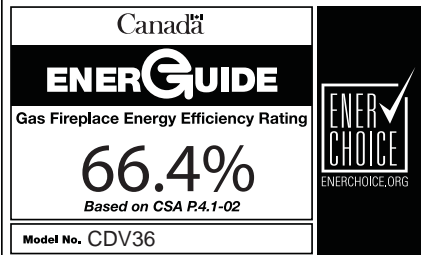
FOR YOUR SATISFACTION, THIS APPLIANCE HAS BEEN TEST-FIRED TO ASSURE ITS OPERATION AND QUALITY!

CDV36 RATES AND EFFICIENCIES			BCDV36 RATES AND EFFICIENCIES		
	NG	LP		NG	LP
Altitude (FT)	0-4,500	0-4500	Altitude (FT)	0-4,500	0-4,500
Max. Input (BTU/HR)	26,000	26,000	Max. Input (BTU/HR)	18,000	17,000
Max. Output (BTU/HR)	22,360	22,880	Max. Output (BTU/HR)	11,500	10,900
Efficiency (w/the fan on)	86%	88%	Efficiency (w/the fan on)	64%	64%
A.F.U.E.	64%	65%	A.F.U.E.	53%	53%
Min. Inlet Gas Supply Pressure	4.5" Water Column	11" Water Column	Min. Inlet Gas Supply Pressure	4.5" Water Column	11" Water Column
Max. Inlet Gas Supply Pressure	7" Water Column	13" Water Column	Max. Inlet Gas Supply Pressure	7" Water Column	13" Water Column
Manifold Pressure (Under Flow Conditions)	3.5" Water Column	10" Water Column	Manifold Pressure (Under Flow Conditions)	3.5" Water Column	10" Water Column

This appliance is approved for bathroom, bedroom and bed-sitting room installations and is suitable for mobile home installation.

No external electricity (110 volts or 24 volts) is required for the gas system operation.

Expansion / contraction noises during heating up and cooling down cycles are normal and are to be expected.



Canada
ENERGUIDE
Gas Fireplace Energy Efficiency Rating
66.4%
Based on CSA P.4.1-02
Model No. CDV36

ENERCHOICE
ENERCHOICE.ORG

2.5 RATING PLATE INFORMATION

CERTIFIED UNDER / HOMOLOGUE SELON LES NORMES: CSA 2.22b-2009, ANSI Z21.50b-2009 VENTED GAS FIREPLACE / FOYER AU GAZ AVEC EVACUATION. DIRECT VENT GAS FIREPLACE, SUITABLE FOR BEDROOM, BATHROOM AND BED-SITTING ROOM INSTALLATION, SUITABLE FOR MOBILE HOME INSTALLATION IF INSTALLED IN ACCORDANCE WITH THE CURRENT STANDARD CAN/CSA Z240MH SERIES GAS EQUIPPED MOBILE HOMES, IN CANADA OR IN THE UNITED STATES THE MANUFACTURED HOME CONSTRUCTION AND SAFETY STANDARD, TITLE 24 CFR, PART 3280. WHEN THIS US STANDARD IS NOT APPLICABLE USE THE STANDARD FOR FIRE SAFETY CRITERIA FOR MANUFACTURED HOME INSTALLATIONS, SITES AND COMMUNITIES, ANSI/NFPA 501A. WHEN INSTALLED WITH SCREEN KIT GD-565KT, THE FIREPLACE COMPLIES WITH CGA CERTIFICATION REQUIREMENT CR95-006.

FOYER A GAZ VENTILE DIRECT. HOMOLOGUE POUR INSTALLATION DANS UNE CHAMBRE A COUCHER, UNE SALLE DE BAIN ET UN STUDIO. APPROPRIE POUR INSTALLATION DANS UNE MAISON MOBILE SI SON INSTALLATION CONFORME AUX EXIGENCES DE LA NORME CAN/CSA Z240MH SERIE DE MAISONS MOBILES EQUIPEES AU GAZ. EN VIGUEUR AU CANADA OU AUX ETATS-UNIS DE LA NORME DE SECURITE ET DE CONSTRUCTION DE MAISONS MANUFACTUREES, TITRE 24 CFR, SECTION 3280. DANS LE CAS OU CETTE NORME D'ETATS-UNIS NE PEUT ETRE APPLIQUEE, SE REFERER A LA NORME RELATIVE AU CRITERE DE MESURES DE SECURITE CONTRE L'INCENDIE POUR LES INSTALLATIONS DANS LES MAISONS MANUFACTUREES, LES SITES ET LES COMMUNAUTES, ANS/NFPA 501A. LORSQU'IL EST INSTALLE AVEC LA TROUSSE POUR ECRAN GD-565KT, LE FOYER EST CONFORME A LA NORME DE CERTIFICATION DE L'ACC CR95-006.

ETL LISTED US
Intertek

9700539 (WSL) 4001658 (NAC) 4001657 (NGZ) 4001659 (WUSA)

BGD36NTR **BCDV36NTR** **MODEL** **BGD36PTR** **BCDV36PTR**

0-4500FT (0-1370m) ALTITUDE / ELEVATION 0-4500FT (0-1370m)
18,000 BTU/h INPUT / ALIMENTATION 17,000 BTU/h
12,000 BTU/h REDUCED INPUT / ALIMENTATION REDUITE 12,000 BTU/h

MANIFOLD PRESSURE: 3.5" WATER COLUMN
PRESSION AU COLLECTEUR: 3.5" D'UNE COLONNE D'EAU
MINIMUM SUPPLY PRESSURE: 4.5" WATER COLUMN
PRESSION D'ALIMENTATION MINIMALE: 4.5" D'UNE COLONNE D'EAU
MAXIMUM SUPPLY PRESSURE: 7.0" WATER COLUMN
PRESSION D'ALIMENTATION MAXIMALE: 7.0" D'UNE COLONNE D'EAU

MANIFOLD PRESSURE: 10" WATER COLUMN
PRESSION AU COLLECTEUR: 10" D'UNE COLONNE D'EAU
MINIMUM SUPPLY PRESSURE: 11" WATER COLUMN
PRESSION D'ALIMENTATION MINIMALE: 11" D'UNE COLONNE D'EAU
MAXIMUM SUPPLY PRESSURE: 13" WATER COLUMN
PRESSION D'ALIMENTATION MAXIMALE: 13" D'UNE COLONNE D'EAU

NOT FOR USE WITH SOLID FUEL. FOR USE WITH GLASS DOORS CERTIFIED WITH THIS UNIT ONLY.
UN COMBUSTIBLE SOLIDE NE DOIT PAS ETRE UTILISE AVEC CET APPAREIL. UTILISER AVEC LES PORTES VITREES HOMOLOGUEES SEULEMENT AVEC CETTE UNITE.

WARNING: THIS FIREPLACE USES AND REQUIRES A FAST ACTING THERMOCOUPLE. REPLACE ONLY WITH A FAST ACTING THERMOCOUPLE SUPPLIED BY WOLF STEEL LTD. DO NOT ADD ANY MATERIAL TO THE APPLIANCE, WHICH WILL COME IN CONTACT WITH THE FLAMES, OTHER THAN THAT SUPPLIED BY THE MANUFACTURER WITH THE APPLIANCE.
AVERTISSEMENT: CE FOYER UTILISE ET REQUIERT UN THERMOCOUPLE A ACTION RAPIDE. REMPLACEZ UNIQUEMENT AVEC UN THERMOCOUPLE A ACTION RAPIDE DE WOLF STEEL LTEE. N'AJOUTEZ PAS A CET APPAREIL AUCUN MATERIAU DEVANT ENTRER EN CONTACT AVEC LES FLAMMES AUTRE QUE CELUI QUI EST FOURNI AVEC CET APPAREIL PAR LE FABRICANT.

MINIMUM CLEARANCE TO COMBUSTIBLE MATERIALS / DEGAGEMENTS MINIMAUX DES MATERIAUX COMBUSTIBLES
TOP / DESSUS 0 RECESSED DEPTH / PROFONDEUR D'EMCASTRE 13 3/4"
FLOOR / PLANCHER 0 VENT SIDES / COTES DE L'EVENT 1"
SIDES / COTES 0 VENT TOP / EVENT SUPERIEUR 2"
BACK / ARRIERE 0 VENT BOTTOM / EVENT INFERIEUR 1"
MANTEL / MANTEAU 2"*

* MAXIMUM HORIZONTAL EXTENSION / L'EXTENSION HORIZONTALE MAXIMALE: 2". SEE INSTRUCTION MANUAL FOR GREATER EXTENSIONS. REFERER AU MANUEL D'INSTRUCTION POUR DES EXTENSIONS PLUS GRANDES.
SEE OWNER'S INSTRUCTION MANUAL FOR MINIMUM AND MAXIMUM VENT LENGTHS. REFERER AU MANUEL D'INSTALLATION DE PROPRIETAIRE POUR LES LONGUEURS D'EVACUATION MINIMALE ET MAXIMALE.

WOLF STEEL LTD.
24 NAPOLEON ROAD, BARRIE, ON, L4M 0G8 CANADA

SERIAL NUMBER/NO. DE SERIE: **BGD36**

W385-0192 / K

INSTALLER: It is your responsibility to check off the appropriate box on the rating plate according to the model, venting and gas type of the appliance.

For rating plate location, see "INSTALLATION OVERVIEW" section.

This illustration is for reference only. Refer to the rating plate on the appliance for accurate information.

3.0 VENTING

Models CDV36 and BCDV36 may be vented either as a top vent or a rear vent.

Refer to the section applicable to your installation.

! WARNING

RISK OF FIRE, MAINTAIN SPECIFIED AIR SPACE CLEARANCES TO VENT PIPE AND APPLIANCE.

IF VENTING IS INCLUDED WITH SPACERS THE VENT SYSTEM MUST BE SUPPORTED EVERY 3 FEET FOR BOTH VERTICAL AND HORIZONTAL RUNS. USE SUPPORTS OR EQUIVALENT NON-COMBUSTIBLE STRAPPING TO MAINTAIN THE REQUIRED CLEARANCE FROM COMBUSTIBLES. USE WOLF STEEL LTD. SUPPORT RING ASSEMBLY W010-0370 OR EQUIVALENT NON-COMBUSTIBLE STRAPPING TO MAINTAIN THE MINIMUM CLEARANCE TO COMBUSTIBLES FOR BOTH VERTICAL AND HORIZONTAL RUNS. SPACERS ARE ATTACHED TO THE INNER PIPE AT PREDETERMINED INTERVALS TO MAINTAIN AN EVEN AIR GAP TO THE OUTER PIPE. THIS GAP IS REQUIRED FOR SAFE OPERATION. A SPACER IS REQUIRED AT THE START, MIDDLE AND END OF EACH ELBOW TO ENSURE THIS GAP IS MAINTAINED. THESE SPACERS MUST NOT BE REMOVED.

THIS APPLIANCE USES A 4" EXHAUST / 7" AIR INTAKE VENT PIPE SYSTEM.

Refer to the section applicable to your installation.

For safe and proper operation of the appliance follow the venting instruction exactly. Deviation from the minimum vertical vent length can create difficulty in burner start-up and/or carboning. Under extreme vent configurations, allow several minutes (5-15) for the flame to stabilize after ignition. Provide a means for visually checking the vent connection to the appliance after the appliance is installed. Use a firestop, vent pipe shield or attic insulation shield when penetrating interior walls, floor or ceiling.

NOTE: If for any reason the vent air intake system is disassembled; reinstall per the instructions provided for the initial installation.

3.1 VENTING LENGTHS AND COMPONENTS

Use only Wolf Steel, Simpson Dura-Vent, Selkirk Direct Temp, American Metal Amerivent or Metal-Fab venting components. Minimum and maximum vent lengths, for both horizontal and vertical installations, and air terminal locations for either system are set out in this manual and must be adhered to. For Simpson Dura-Vent, Selkirk Direct Temp, American Metal Amerivent and Metal-Fab follow the installation procedure provided with the venting components.

A starter adaptor must be used with the following vent systems and may be purchased from the corresponding supplier:

PART	4"/7"	SUPPLIER	WEBSITE
Duravent	W175-0053	Wolf Steel	www.duravent.com
Amerivent	4DSC-N2	American Metal	www.americanmetalproducts.com
Direct Temp	4DT-AAN	Selkirk	www.selkirkcorp.com
SuperSeal	4DNA	Metal-Fab	www.mtlfab.com

For Simpson Dura-Vent, Selkirk Direct Temp, American Metal Amerivent and Metal-Fab follow the installation procedure found on the website for your venting supplier.

For vent systems that provide seals on the inner exhaust flue, only the outer air intake joints must be sealed using a red high temperature silicone (RTV). This same sealant may be used on both the inner exhaust and outer intake vent pipe joints of all other approved vent systems except for the exhaust vent pipe connection to the appliance flue collar which must be sealed using the black high temperature sealant Mill Pac. High temperature sealant must be ordered separately.

When using Wolf Steel venting components, use only approved Wolf Steel rigid / flexible components with the following termination kits: wall terminal kit **GD222**, **GD222R**, or 1/12 to 7/12 pitch roof terminal kit **GD110**, 8/12 to 12/12 roof terminal kit **GD111**, flat roof terminal kit **GD112** or periscope kit **GD201** (for wall penetration below grade). With flexible venting, in conjunction with the various terminations, use either the 5 foot vent kit **GD220** or the 10 foot vent kit **GD330**.

For optimum flame appearance and appliance performance, keep the vent length and number of elbows to a minimum. The air terminal must remain unobstructed at all times. Examine the air terminal at least once a year to verify that it is unobstructed and undamaged.

Rigid and flexible venting systems must not be combined. Different venting manufacturer components must not be combined.

These vent kits allow for either horizontal or vertical venting of the appliance. The maximum allowable horizontal run is 20 feet. The maximum allowable vertical vent length is 40 feet. The maximum number of vent connections is two horizontally or three vertically (excluding the appliance and the air terminal connections) when using flexible venting.

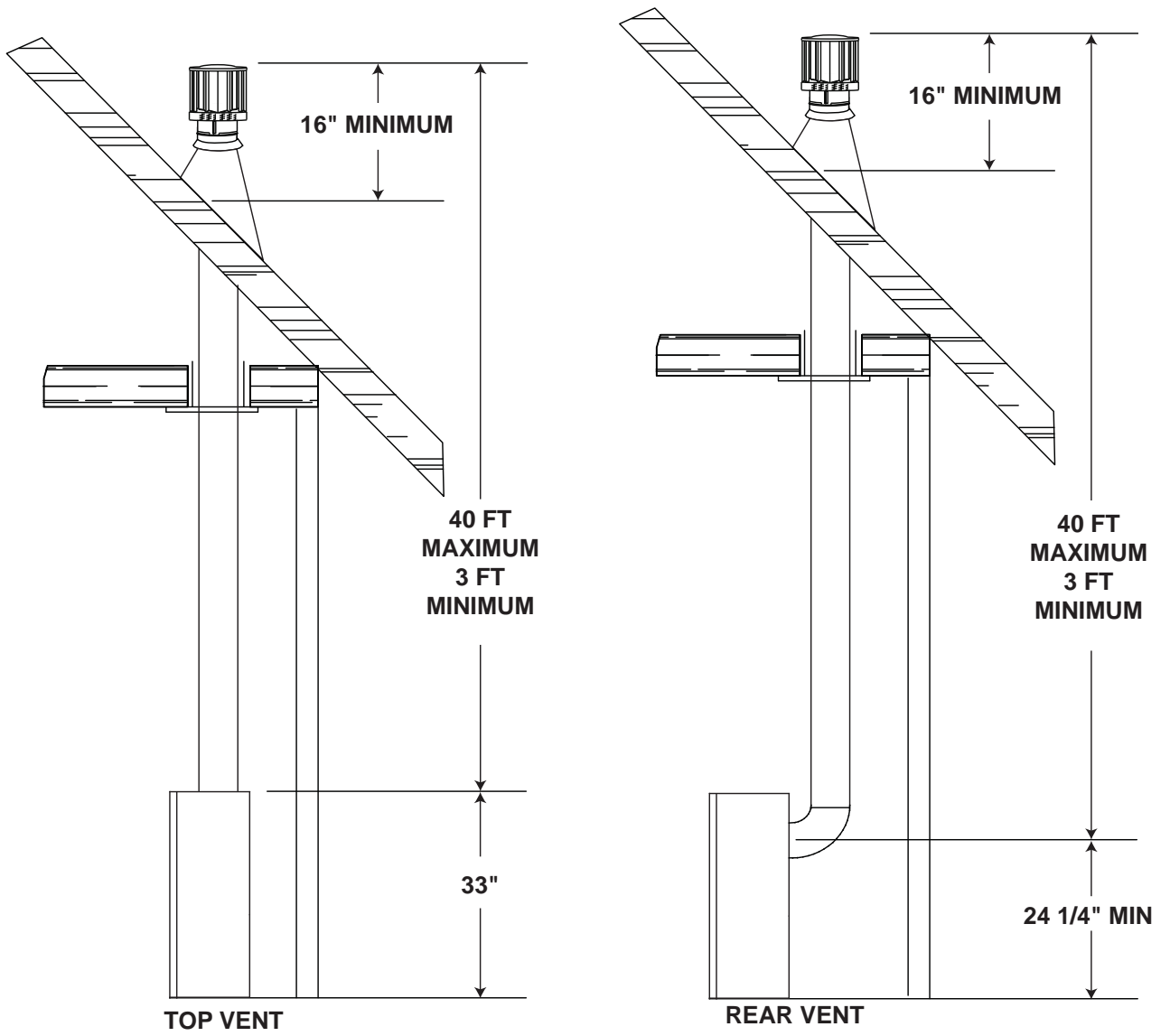
8.1

For optimum performance, it is recommended that all horizontal runs have a 1" rise per foot.

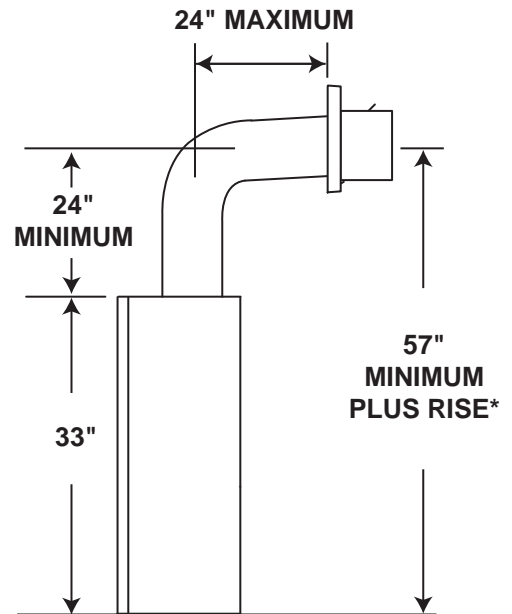
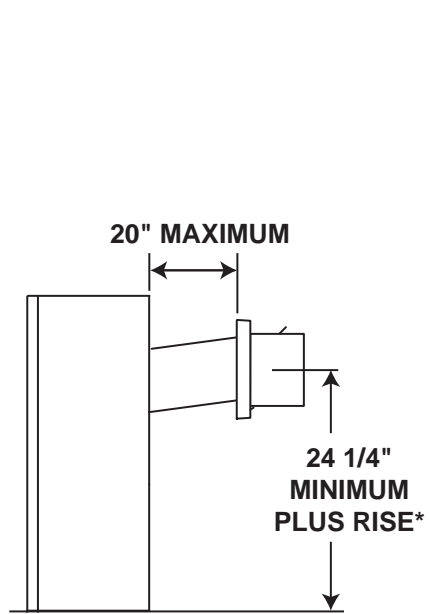
CDV36 REQUIRED RISE ON HORIZONTAL VENTING			BCDV36 REQUIRED RISE ON HORIZONTAL VENTING		
Rear Vent	Rigid Venting	1" / FT**	Rear Vent	Rigid Venting	0" / FT
	Flexible Venting	1" / FT**		Flexible Venting	0" / FT
Top Vent	Rigid Venting	0" / FT	Top Vent	Rigid Venting	0" / FT
	Flexible Venting	0" / FT		Flexible Venting	0" / FT
Corner Vent	Rigid Venting	6"	Corner Vent	Rigid Venting	0"
	Flexible Venting	6"		Flexible Venting	6"

** When a vertical rise is used as part of the venting configuration, a 0" rise per foot is acceptable.

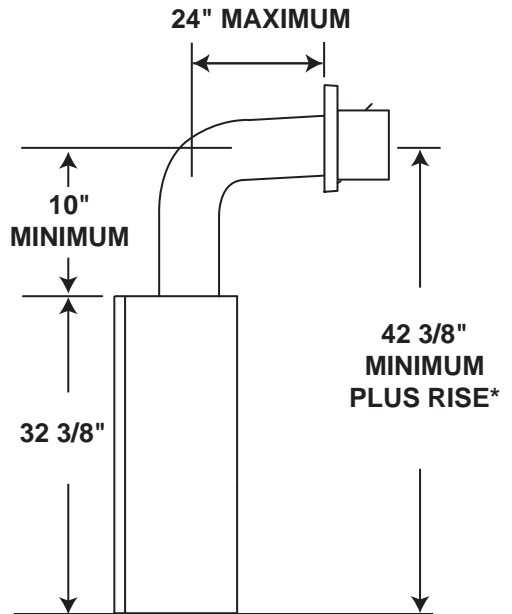
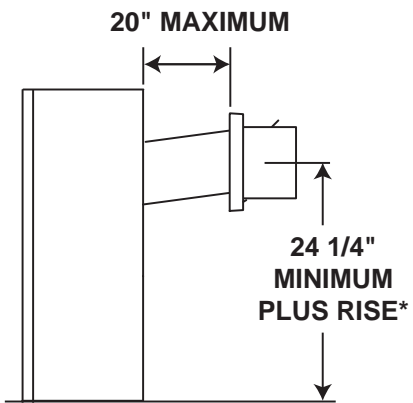
3.2 TYPICAL VENT INSTALLATION



CDV36



BCDV36

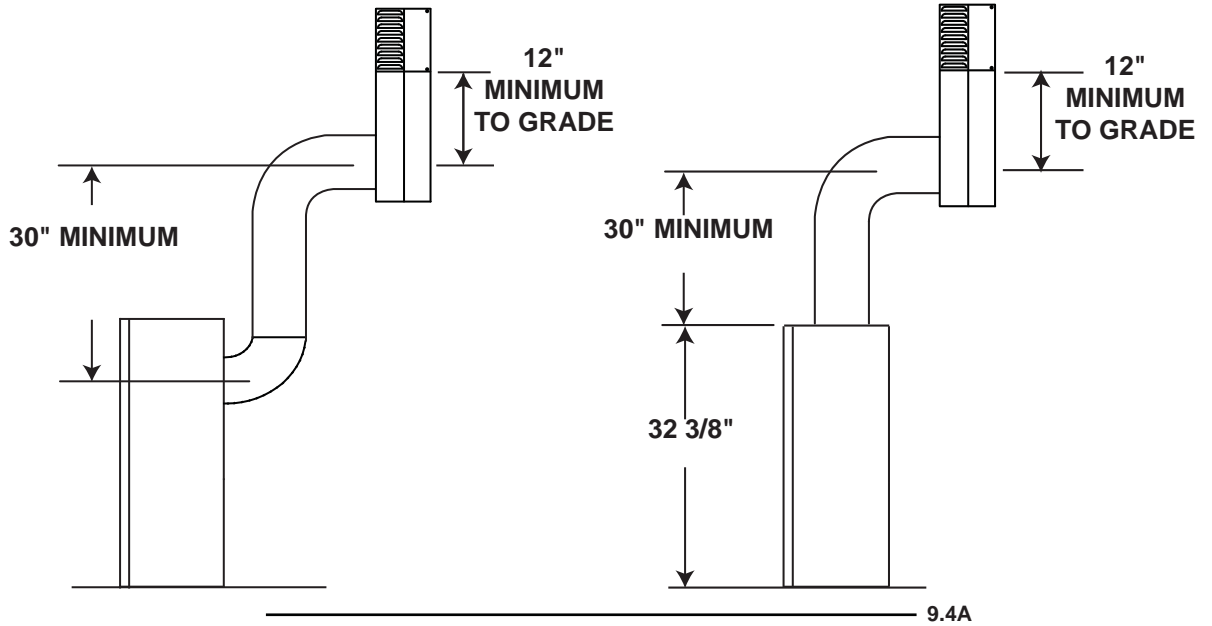


* See "VENTING" section

3.3 SPECIAL VENT INSTALLATIONS

3.3.1 PERISCOPE TERMINATION (CDV36 AND BCDV36)

Use the periscope kit to locate the air termination above grade. The periscope must be installed so that when final grading is completed, the bottom air slot is located a minimum 12" above grade. The maximum allowable vent length is 10' for a fireplace and 8' for a stove.



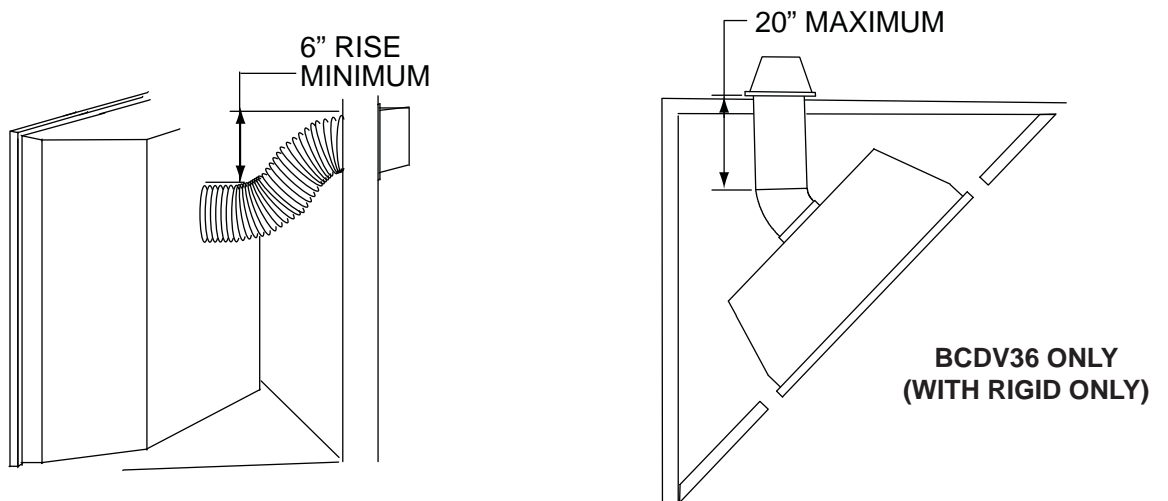
3.3.2 CORNER TERMINATION

CDV36

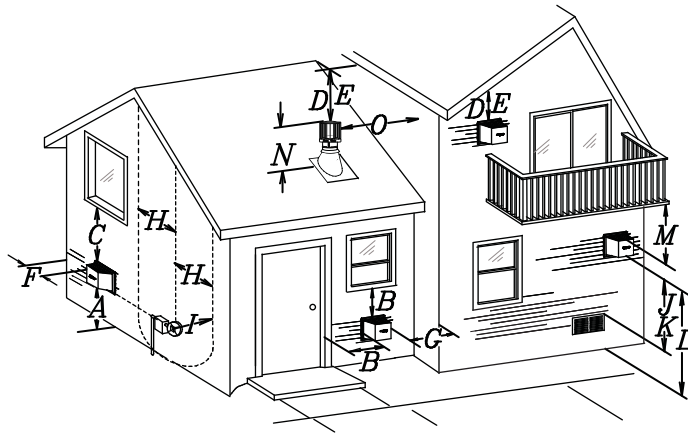
The maximum vent length for a corner installation is 24", where only 6" of vertical rise is used. All corner installations require a minimum 6" rise. See illustration below.

BCDV36

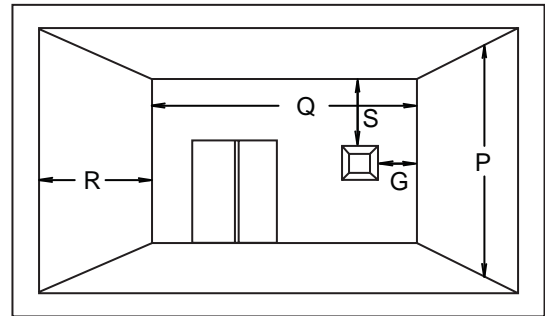
The maximum vent length for a corner installation is 20" of horizontal run, in addition to 45° offset. In this case 0" rise is acceptable when using rigid. Flexible venting must maintain a 6" rise. See illustration below.



3.4 MINIMUM AIR TERMINAL LOCATION CLEARANCES



COVERED BALCONY APPLICATIONS ††*



Q_{MIN}	= 3 feet
R_{MAX}	= 2 x Q_{ACTUAL}
R_{MAX}	≤ 15 feet

	INSTALLATIONS		
	CANADA	U.S.A.	
A	12"	12"	Clearance above grade, veranda porch, deck or balcony.
B	12" Δ	9" Δ	Clearance to windows or doors that open.
C	12" *	12" *	Clearance to permanently closed windows.
D	18" **	18" **	Vertical clearance to ventilated soffits located above the terminal within a horizontal distance of 2' from the center line of the terminal.
E	12" **	12" **	Clearance to unventilated soffit.
F	0"	0"	Clearance to an outside corner wall.
G	0" ***	0" ***	Clearance to an inside non-combustible corner wall or protruding non-combustible obstructions (chimney, etc.).
	2" ***	2" ***	Clearance to an inside combustible corner wall or protruding combustible obstructions (vent chase, etc.).
H	3'	3' ****	Clearance to each side of the center line extended above the meter / regulator assembly to a maximum vertical distance of 15'.
I	3'	3' ****	Clearance to a service regulator vent outlet.
J	12"	9"	Clearance to a non-mechanical air supply inlet to the building or a combustion air inlet to any other appliance.
K	6'	3' †	Clearance to a mechanical air supply inlet.
L	7' ‡	7' ****	Clearance above a paved sidewalk or paved driveway located on public property.
M	12" ††	12" ****	Clearance under a veranda, porch or deck.
N	16"	16"	Clearance above the roof.
O	2' †*	2' †*	Clearance from an adjacent wall including neighbouring buildings.
P	8'	8'	Roof must be non-combustible without openings.
Q	3'	3'	See chart for wider wall dimensions.
R	6'	6'	See chart for deeper wall dimensions. The terminal shall not be installed on any wall that has an opening between the terminal and the open side of the structure.
S	12"	12"	Clearance under a covered balcony

Δ The terminal shall not be located less than 6 feet under a window that opens on a horizontal plane in a structure with three walls and a roof.

* Recommended to prevent condensation on windows and thermal breakage

** It is recommended to use a heat shield and to maximize the distance to vinyl clad soffits.

*** The periscope requires a minimum 18 inches clearance from an inside corner.

**** This is a recommended distance. For additional requirements check local codes.

† 3 feet above if within 10 feet horizontally.

‡ A vent shall not terminate where it may cause hazardous frost or ice accumulations on adjacent property surfaces.

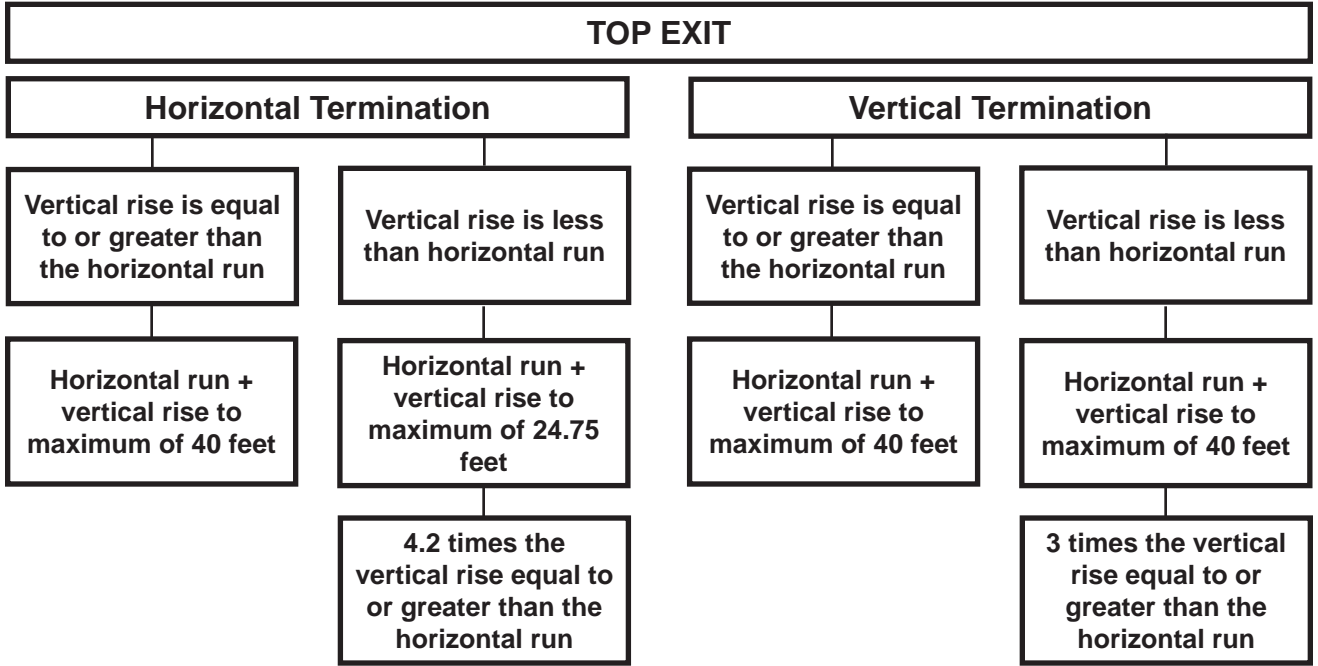
†† Permitted only if the veranda, porch, or deck is fully open on a minimum of two sides beneath the floor.

†* Recommended to prevent recirculation of exhaust products. For additional requirements check local codes.

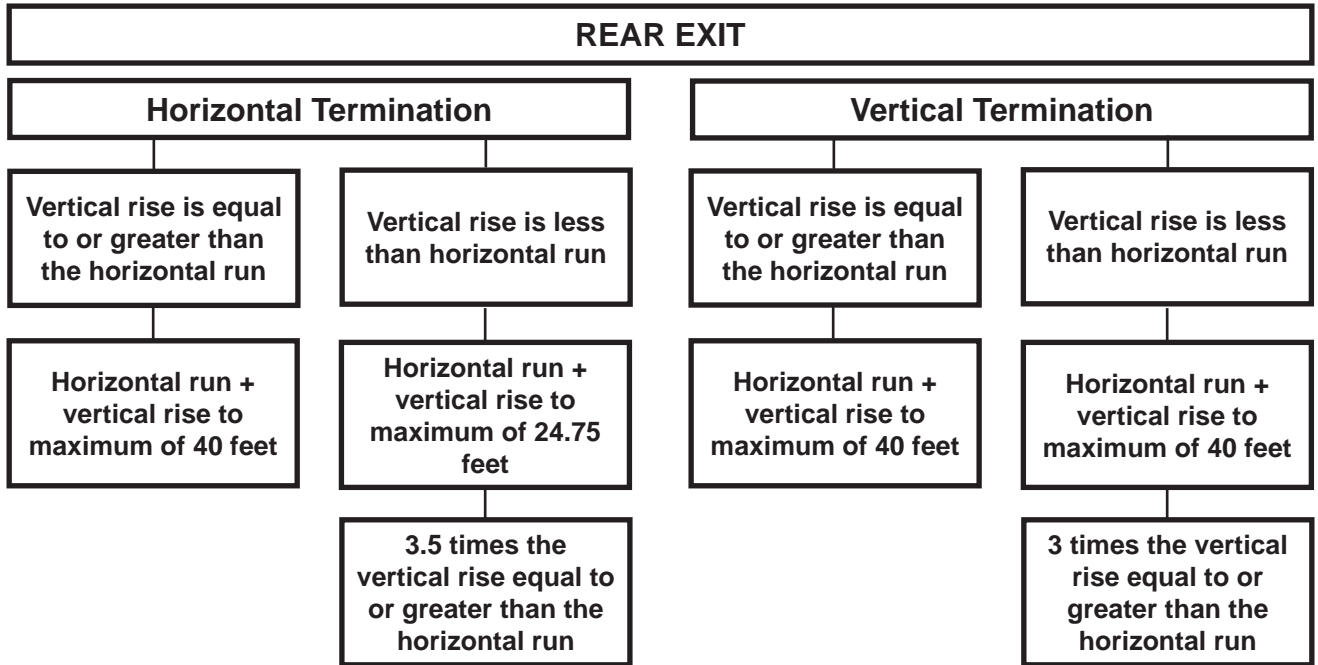
††* Permitted only if the balcony is fully open on a minimum of one side.

NOTE: Clearances are in accordance with local installation codes and the requirements of the gas supplier.

3.5 VENTING APPLICATION FLOW CHART



13.1



13.2

3.6 DEFINITIONS

For the following symbols used in the venting calculations and examples are:

> - greater than

≥ - equal to or greater than

< - less than

≤ - equal to or less than

H_T - total of both horizontal vent lengths (H_r) and offsets (H_o) in feet

H_R - combined horizontal vent lengths in feet

H_O - offset factor: .03 (total degrees of offset - 90°*) in feet

V_T - combined vertical vent lengths in feet

 14.1

3.7 ELBOW VENT LENGTH VALUES

	<u>FEET</u>	<u>INCHES</u>
1°	0.03	0.5
15°	0.45	6.0
30°	0.9	11.0
45°	1.35	16.0
90°*	2.7	32.0

* The first 90° offset has a zero value and is shown in the formula as - 90°

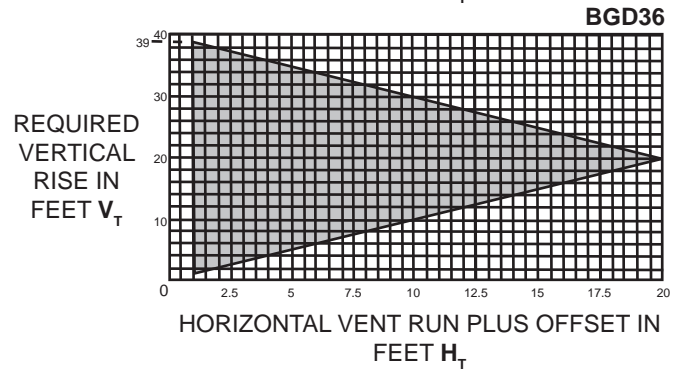
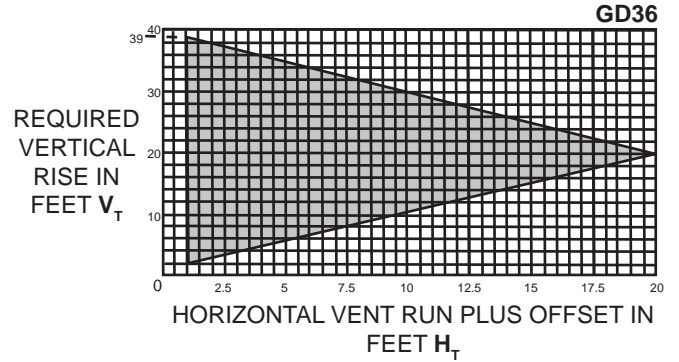
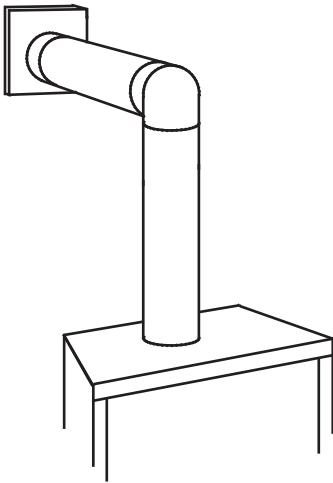
 15.1

3.8 TOP EXIT HORIZONTAL TERMINATION

$$(H_T) \leq (V_T)$$

**Simple venting configuration
(only one 90° elbow)**

See graph to determine the required vertical rise V_T for the required horizontal run H_T .



The shaded area within the lines represents acceptable values for H_T and V_T

For vent configurations requiring more than one 90° elbow, the following formulas apply:

Formula 1: $H_T \leq V_T$

Formula 2: $H_T + V_T \leq 40$ feet

Example 1:

$V_1 = 3$ FT

$V_2 = 8$ FT

$V_T = V_1 + V_2 = 3 + 8 = 11$ FT

$H_1 = 2.5$ FT

$H_2 = 2$ FT

$H_R = H_1 + H_2 = 2.5 + 2 = 4.5$ FT

$H_O = .03$ (three 90° elbows - 90°) = .03 (270° - 90°) = 5.4 FT

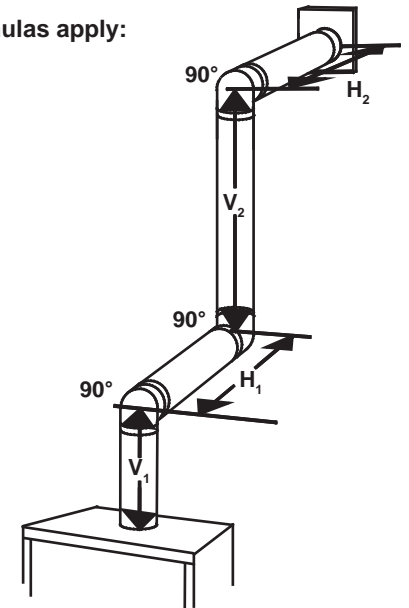
$H_T = H_R + H_O = 4.5 + 5.4 = 9.9$ FT

$H_T + V_T = 9.9 + 11 = 20.9$ FT

Formula 1: $H_T \leq V_T$
 $9.9 \leq 11$

Formula 2: $H_T + V_T \leq 40$ FT
 $20.9 \leq 40$

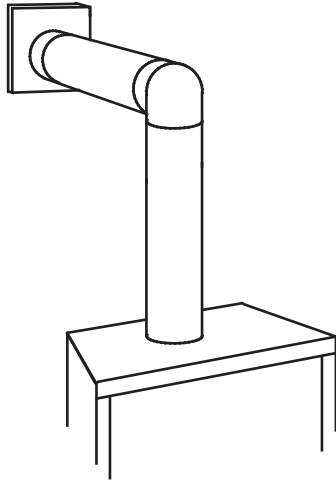
Since both formulas are met, this vent configuration is acceptable.



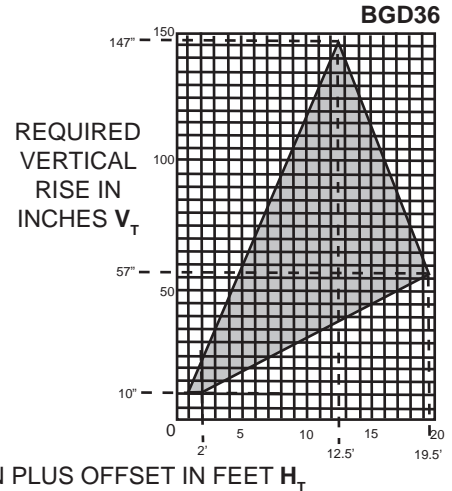
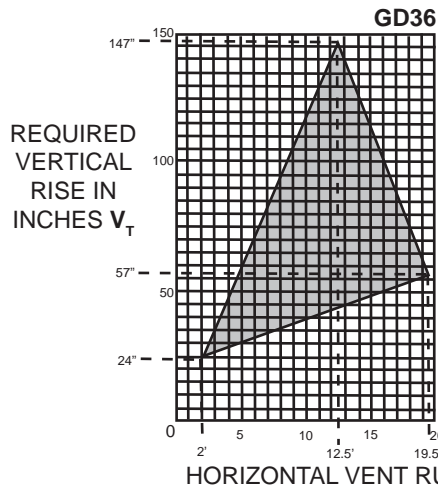
16.2A

$$(H_T) > (V_T)$$

**Simple venting configuration
(only one 90° elbow)**



See graph to determine the required vertical rise V_T for the required horizontal run H_T .



The shaded area within the lines represents acceptable values for H_T and V_T

For vent configurations requiring more than one 90° elbow, the following formulas apply:

Formula 1: $H_T \leq 4.2 V_T$

Formula 2: $H_T + V_T \leq 24.75$ feet

Example 2:

$V_1 = V_T = 6$ FT

$H_1 = 3$ FT

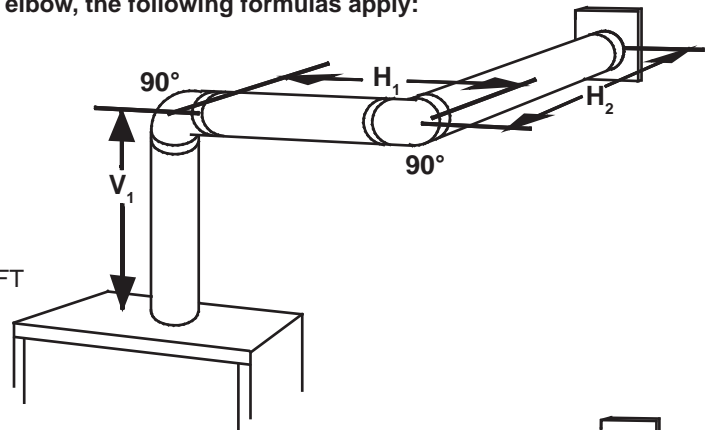
$H_2 = 5$ FT

$H_R = H_1 + H_2 = 3 + 5 = 8$ FT

$H_O = .03$ (two 90° elbows - 90°) = .03 (180° - 90°) = 2.7 FT

$H_T = H_R + H_O = 8 + 2.7 = 10.7$ FT

$H_T + V_T = 10.7 + 6 = 16.7$ FT



Formula 1: $H_T \leq 4.2 V_T$
 $4.2 V_T = 4.2 \times 6 = 25.2$ FT

Formula 2: $H_T + V_T \leq 24.75$ FT
 $16.7 \leq 24.75$

Since both formulas are met, this vent configuration is acceptable.

Example 3:

$V_1 = 4$ FT

$V_2 = 1.5$ FT

$V_T = V_1 + V_2 = 4 + 1.5 = 5.5$ FT

$H_1 = 2$ FT

$H_2 = 1$ FT

$H_3 = 1$ FT

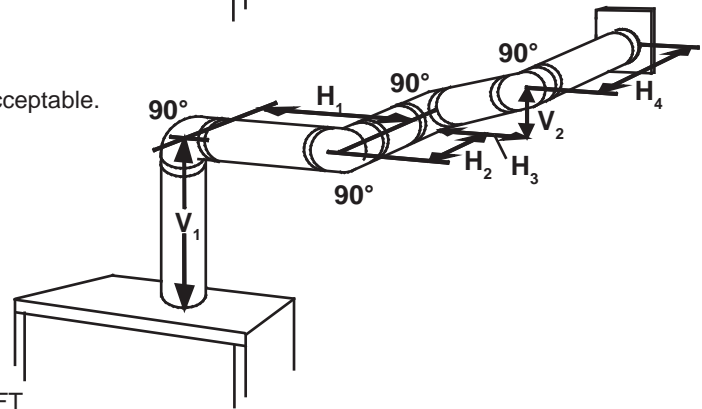
$H_4 = 1.5$ FT

$H_R = H_1 + H_2 + H_3 + H_4 = 2 + 1 + 1 + 1.5 = 5.5$ FT

$H_O = .03$ (four 90° elbows - 90°) = .03 (360° - 90°) = 8.1 FT

$H_T = H_R + H_O = 5.5 + 8.1 = 13.6$ FT

$H_T + V_T = 13.6 + 5.5 = 19.1$ FT



Formula 1: $H_T \leq 4.2 V_T$
 $4.2 V_T = 4.2 \times 5.5 = 23.1$ FT

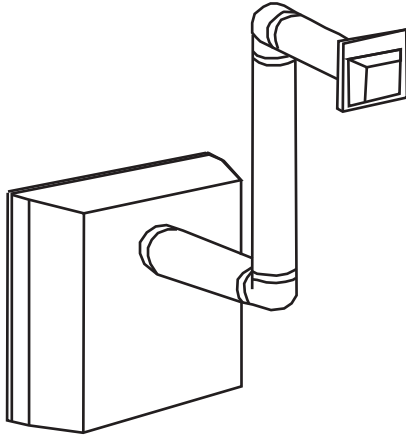
Formula 2: $H_T + V_T \leq 24.75$ FT
 $19.1 \leq 24.75$

Since both formulas are met, this vent configuration is acceptable.

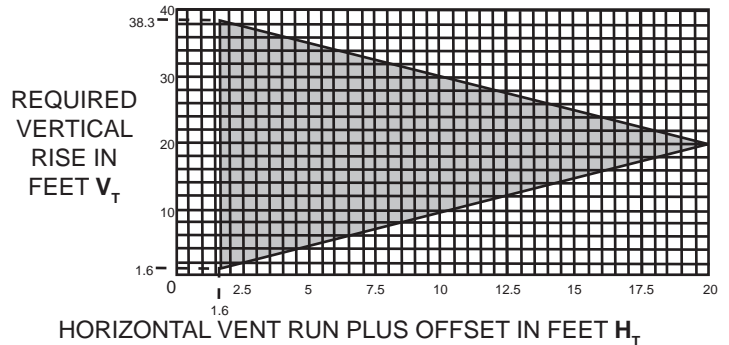
3.9 REAR EXIT HORIZONTAL TERMINATION

$$(H_T) \leq (V_T)$$

Simple venting configuration
(only two 90° elbows)



See graph to determine the required vertical rise V_T for the required horizontal run H_T .



The shaded area within the lines represents acceptable values for H_T and V_T

For vent configurations requiring more than two 90° elbows, the following formulas apply:

Formula 1: $H_T \leq V_T$

Formula 2: $H_T + V_T \leq 40$ feet

Example:

$V_1 = 9$ FT

$V_2 = 6$ FT

$V_T = V_1 + V_2 = 9 + 6 = 15$ FT

$H_1 = 3$ FT

$H_2 = 2$ FT

$H_3 = 1.5$ FT

$H_R = H_1 + H_2 + H_3 = 3 + 2 + 1.5 = 6.5$ FT

$H_O = .03$ (four 90° elbows - 90°) = .03 (360° - 90°) = 8.1 FT

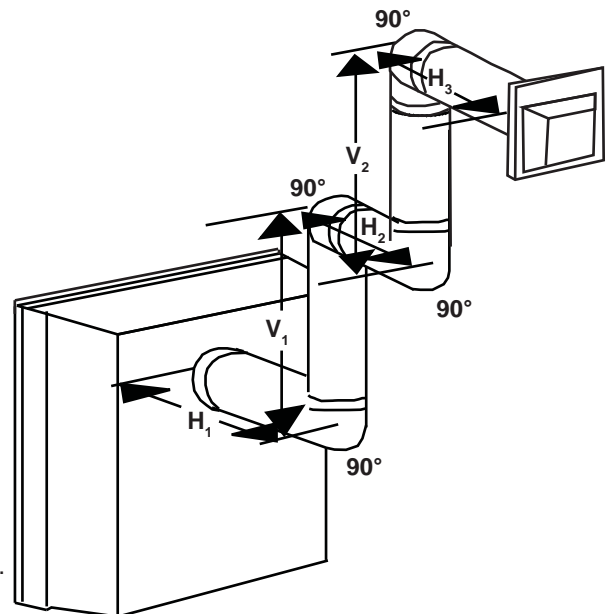
$H_T = H_R + H_O = 6.5 + 8.1 = 14.6$ FT

$H_T + V_T = 14.6 + 15 = 29.6$ FT

Formula 1: $H_T \leq V_T$
 $14.6 \leq 15$

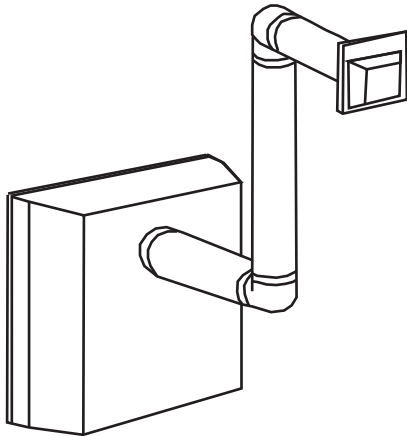
Formula 2: $H_T + V_T \leq 40$ FT
 $29.6 \leq 40$

Since both formulas are met, this vent configuration is acceptable.

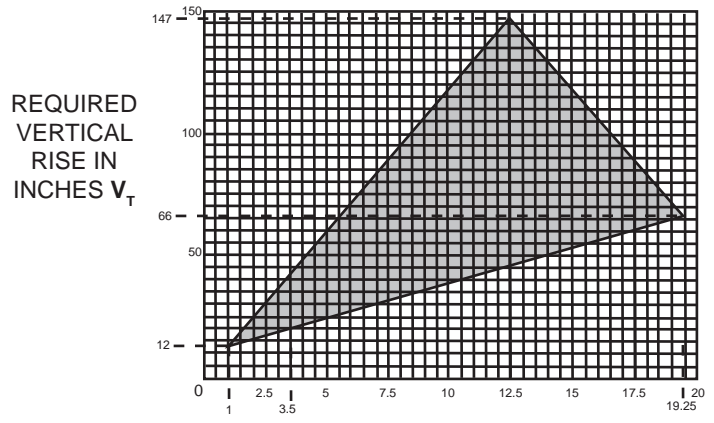


$$(H_T) > (V_T)$$

Simple venting configuration
(only two 90° elbows)



See graph to determine the required vertical rise V_T for the required horizontal run H_T .



The shaded area within the lines represents acceptable values for H_T and V_T

For vent configurations requiring more than two 90° elbows, the following formulas apply:

Formula 1: $H_T \leq 3.5V_T$

Formula 2: $H_T + V_T \leq 24.75$ feet

Example:

$V_1 = 4$ FT

$V_2 = 1.5$ FT

$V_T = V_1 + V_2 = 4 + 1.5 = 5.5$ FT

$H_1 = 2$ FT

$H_2 = 1$ FT

$H_3 = 1$ FT

$H_4 = 1.5$ FT

$H_R = H_1 + H_2 + H_3 + H_4 = 2 + 1 + 1 + 1.5 = 5.5$ FT

$H_O = .03$ (four 90° elbows + one 45° elbow - 90°)

$= .03 (90 + 90 + 90 + 90 + 45 - 90) = 9.45$ FT

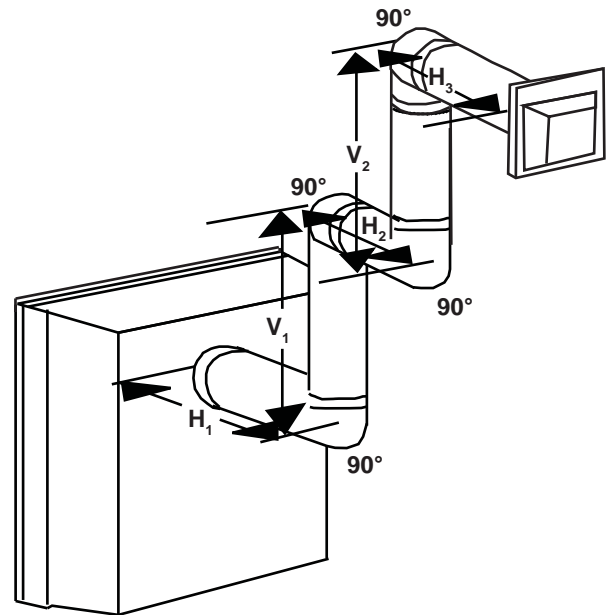
$H_T = H_R + H_O = 5.5 + 9.45 = 14.95$ FT

$H_T + V_T = 14.95 + 5.5 = 20.45$ FT

Formula 1: $H_T \leq 3.5V_T$
 $3.5V_T = 3.5 \times 5.5 = 19.25$ FT
 $14.95 \leq 19.25$

Formula 2: $H_T + V_T \leq 24.75$ FT
 $20.45 \leq 24.75$

Since both formulas are met, this vent configuration is acceptable.

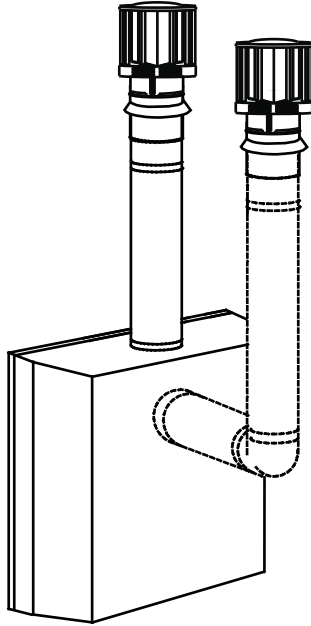


16.3_2A

3.10 TOP OR REAR EXIT VERTICAL TERMINATION

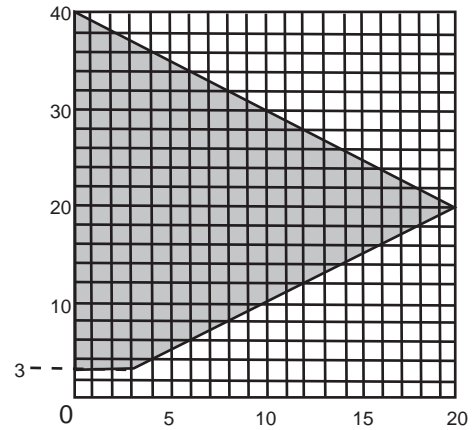
$$(H_T) \leq (V_T)$$

Simple venting configurations.



See graph to determine the required vertical rise V_T for the required horizontal run H_T .

REQUIRED VERTICAL RISE IN FEET V_T



HORIZONTAL VENT RUN PLUS OFFSET IN FEET H_T

The shaded area within the lines represents acceptable values for H_T and V_T

For vent configurations requiring one or more 90° elbows (top exit) or one or more 90° elbows (rear exit), the following formulas apply:

Formula 1: $H_T \leq V_T$

Formula 2: $H_T + V_T \leq 40$ feet

Example:

$V_1 = 5$ FT

$V_2 = 6$ FT

$V_3 = 10$ FT

$V_T = V_1 + V_2 + V_3 = 5 + 6 + 10 = 21$ FT

$H_1 = 8$ FT

$H_2 = 2.5$ FT

$H_R = H_1 + H_2 = 8 + 2.5 = 10.5$ FT

$H_o = .03$ (four 90° elbows - 90°)

$= .03$ (360° - 90°) = 8.1 FT

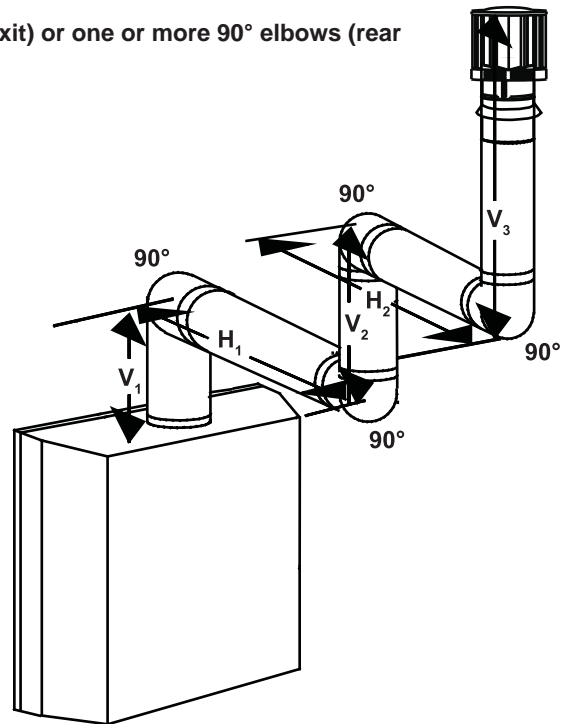
$H_T = H_R + H_o = 10.5 + 8.1 = 18.6$ FT

$H_T + V_T = 18.6 + 21 = 39.6$ FT

Formula 1: $H_T \leq 3.5 V_T$
 $18.6 \leq 21$

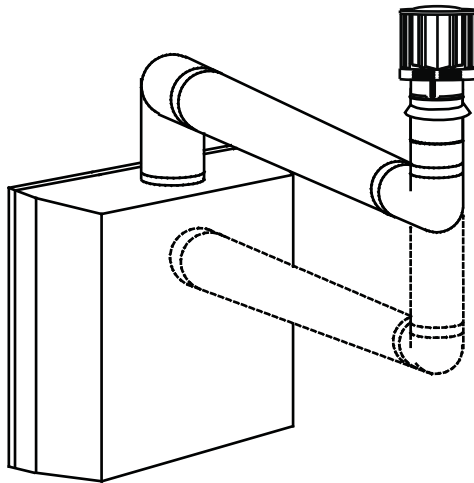
Formula 2: $H_T + V_T \leq 40$ FT
 $39.6 \leq 40$

Since both formulas are met, this vent configuration is acceptable.

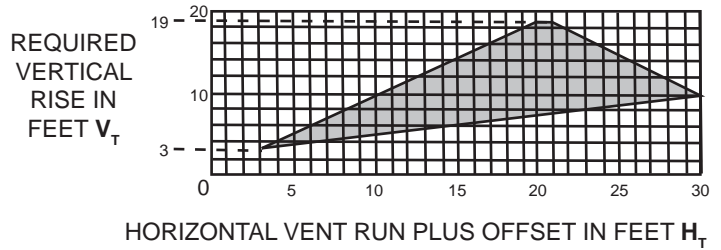


$(H_T) > (V_T)$

Simple venting configurations.



See graph to determine the required vertical rise V_T for the required horizontal run H_T .



The shaded area within the lines represents acceptable values for H_T and V_T

For vent configurations requiring more than two 90° elbows (top exit) or one 90° elbow (rear exit), the following formulas apply:

Formula 1: $H_T \leq 3 V_T$

Formula 2: $H_T + V_T \leq 40$ feet

Example:

$V_1 = 2$ FT

$V_2 = 1$ FT

$V_3 = 1.5$ FT

$V_T = V_1 + V_2 + V_3 = 2 + 1 + 1.5 = 4.5$ FT

$H_1 = 6$ FT

$H_2 = 2$ FT

$H_R = H_1 + H_2 = 6 + 2 = 8$ FT

$H_O = .03$ (four 90° elbows - 90°)

$= .03$ (360° - 90°) = 8.1 FT

$H_T = H_R + H_O = 8 + 8.1 = 16.1$ FT

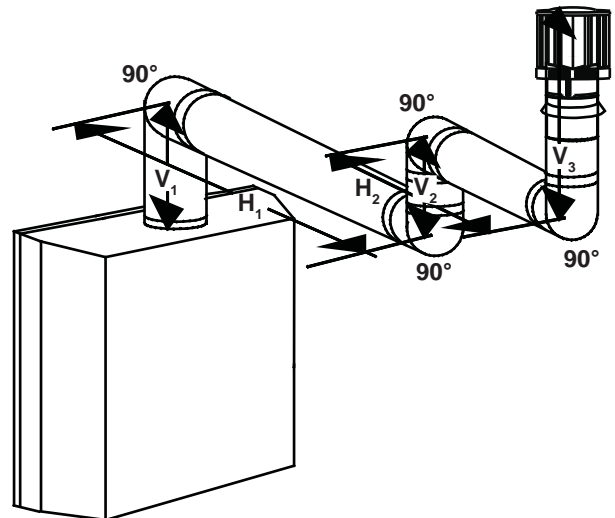
$H_T + V_T = 16.1 + 4.5 = 20.6$ FT

Formula 1: $H_T \leq 3.5 V_T$
 $3.5 V_T = 3 \times 4.5 = 13.5$ FT
 $16.1 \leq 13.5$

Since this formula is not met, this vent configuration is **unacceptable**.

Formula 2: $H_T + V_T \leq 40$ FT
 $16.1 \leq 13.5$

Since only formula 2 is met, this vent configuration is unacceptable and a new fireplace location or vent configuration will need to be established to satisfy both formulas.



Example:

$$V_1 = 1.5 \text{ FT}$$

$$V_2 = 5 \text{ FT}$$

$$V_T = V_1 + V_2 = 1.5 + 1 + 5 = 6.5 \text{ FT}$$

$$H_1 = 1 \text{ FT}$$

$$H_2 = 1 \text{ FT}$$

$$H_3 = 10.75 \text{ FT}$$

$$H_R = H_1 + H_2 + H_3 = 1 + 1 + 10.75 = 12.75 \text{ FT}$$

$$H_O = .03 \text{ (four } 90^\circ \text{ elbows + one } 45^\circ \text{ elbow - } 90^\circ)$$

$$= .03 (360^\circ + 45^\circ - 90^\circ) = 6.75 \text{ FT}$$

$$H_T = H_R + H_O = 12.75 + 6.75 = 19.5 \text{ FT}$$

$$H_T + V_T = 19.5 + 6.5 = 26 \text{ FT}$$

Formula 1:

$$H_T \leq 3 V_T$$

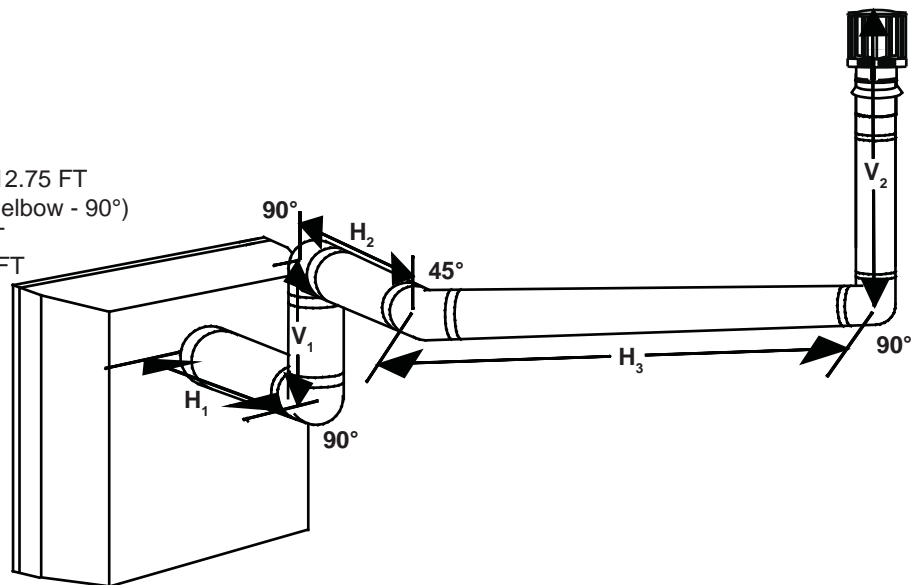
$$3 V_T = 3 \times 6.5 = 19.5 \text{ FT}$$

$$19.5 = 19.5$$

Formula 2:

$$H_T + V_T \leq 40 \text{ FT}$$

$$26 \leq 40$$



Since both formulas are met, this vent configuration is acceptable.

18.2_3

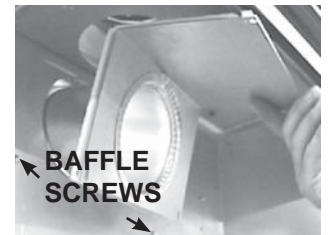
4.0 PRE-INSTALLATION PREPARATION

! WARNING

FAILURE TO INSTALL THE CAP WILL CAUSE THE APPLIANCE TO FUNCTION IMPROPERLY AND CAN CAUSE INJURY OR PROPERTY DAMAGE.

4.1 CDV36 REAR EXIT

- Remove the baffle from the back of the firebox by removing the four screws.
- From inside the firebox, insert the 4" flue pipe / gasket assembly (provided) through the rear of the firebox. Secure the flue pipe assembly to the rear and top of the appliance using 4 #8 x 3/4 inch Hex Head Wildrill screws supplied.
NOTE: Do not overtighten. The gasket needs only to be snug against the firebox.
- Before attaching elbows to the collars on the back of the appliance, 1 1/2" will need to be trimmed off the 4" collar.
- Re-attach the baffle to the back of the firebox using the four screws.



4.2 CDV36 TOP EXIT

Remove the baffle from the back of the firebox by removing the four screws.

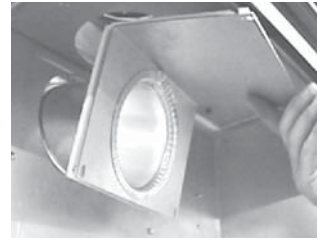
- Remove the 7" diameter cap from the top of the appliance and re-secure it over the 7" collar located at the rear of the appliance. Press firmly on the cap while securing to ensure an airtight seal. Do not damage the gasket.
- Remove the plate covering the 4" diameter flue opening (seen inside the top of the 7" diameter collar) and discard. Try not to disturb the retaining ring or the gasket beneath. Re-secure the ring and gasket using the screws removed from the plate.
- From inside the firebox, insert the 4" flue pipe / gasket assembly through the heat shield and out through the retaining ring. Secure the assembly to the rear and top of the appliance using 4 #8 x 3/4" Hex Head Wildrill screws supplied. Do not overtighten. The gasket needs only to be snug against the firebox. Re-attach the baffle to the back of the firebox using the four screws.



4.3 BCDV36 REAR EXIT

From inside the firebox, insert the 4" flue pipe / gasket assembly (provided) through the rear of the firebox. Secure the gasket assembly to the rear and top of the appliance using 4 #8 x 3/4 inch Hex Head Wildrill screws supplied.

Do not overtighten. The gasket needs only to be snug against the firebox. Before attaching elbows to the collars on the back of the appliance, 1/2" will need to be trimmed off the 4" collar.



4.4 BCDV36 TOP VENT

- A. Remove the 7" diameter cap from the top of the appliance and re-secure it over the 7" collar located at the rear of the appliance. Press firmly on the cap while securing to ensure an airtight seal. Do not damage the gasket.
- B. Remove the plate covering the 4" diameter flue opening (seen inside the top of the 7" diameter collar) and discard. Try not to disturb the retaining ring or the gasket beneath. Re-secure the ring and gasket using the screws removed from the plate.
- C. From inside the firebox, insert the 4" flue pipe / gasket assembly through the heat shield and out through the retaining ring. Secure the assembly to the rear and top of the appliance using 4 #8 x 3/4" Hex Head Wildrill screws supplied. Do not overtighten. The gasket needs only to be snug against the firebox.



5.0 INSTALLATION

! WARNING
FOR SAFE AND PROPER OPERATION OF THE APPLIANCE, FOLLOW THE VENTING INSTRUCTIONS EXACTLY.
ALL INNER EXHAUST AND OUTER INTAKE VENT PIPE JOINTS MAY BE SEALED USING EITHER RED RTV HIGH TEMP SILICONE SEALANT W573-0002 (NOT SUPPLIED) OR BLACK HIGH TEMP MILL PAC W573-0007 (NOT SUPPLIED) WITH THE EXCEPTION OF THE APPLIANCE EXHAUST FLUE COLLAR WHICH MUST BE SEALED USING MILL PAC.
IF USING PIPE CLAMPS TO CONNECT VENT COMPONENTS, 3 SCREWS MUST ALSO BE USED TO ENSURE THE CONNECTION CANNOT SLIP OFF.
DO NOT CLAMP THE FLEXIBLE VENT PIPE.
RISK OF FIRE, EXPLOSION OR ASPHYXIATION. IMPROPER SUPPORT OF THE ENTIRE VENTING SYSTEM MAY ALLOW VENT TO SAG AND SEPARATE. USE VENT RUN SUPPORTS AND CONNECT VENT SECTIONS PER INSTALLATION INSTRUCTIONS.
RISK OF FIRE, DO NOT ALLOW LOOSE MATERIALS OR INSULATION TO TOUCH THE VENT PIPE. REMOVE INSULATION TO ALLOW FOR THE INSTALLATION OF THE ATTIC SHIELD AND TO MAINTAIN CLEARANCES TO COMBUSTIBLES.

68.2A

5.1 WALL AND CEILING PROTECTION

! WARNING
DO NOT FILL THE SPACE BETWEEN THE VENT PIPE AND ENCLOSURE WITH ANY TYPE OF MATERIAL. DO NOT PACK INSULATION OR COMBUSTIBLES BETWEEN CEILING FIRESTOPS. ALWAYS MAINTAIN SPECIFIED CLEARANCES AROUND VENTING AND FIRESTOP SYSTEMS. INSTALL WALL SHIELDS AND FIRESTOPS AS SPECIFIED. FAILURE TO KEEP INSULATION OR OTHER MATERIALS AWAY FROM VENT PIPE MAY CAUSE FIRE.

For clearances to combustible materials from the vent pipe, see "FRAMING" section. ^{70.1}

5.1.1 CDV36 HORIZONTAL INSTALLATION

! WARNING

THE FIRESTOP ASSEMBLY MUST BE INSTALLED WITH THE VENT SHIELD TO THE TOP.

TERMINALS MUST NOT BE RECESSED INTO A WALL OR SIDING MORE THAN THE DEPTH OF THE RETURN FLANGE OF THE MOUNTING PLATE.

- A. Assemble the two halves of the vent sleeve by aligning the holes that come together to make a rectangular shape (lip to the outside). Secure using 6 of the screws supplied in the manual baggie.

NOTE: Screws not required in two blind holes.

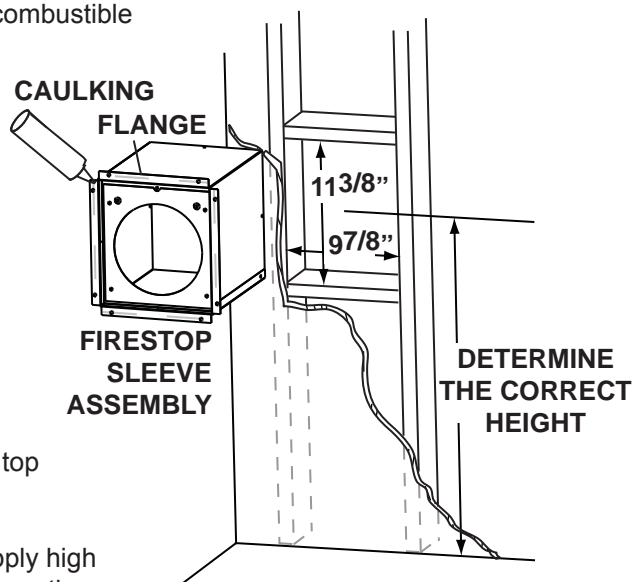
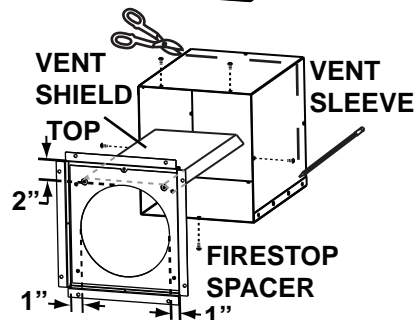
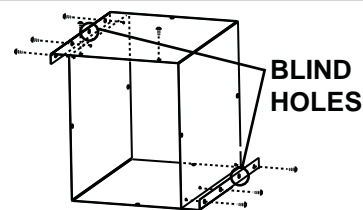
- B. Fit the firestop spacer into one end of the vent sleeve and secure through the aligned holes on the top, bottom, and sides with the remaining 5 screws supplied.

If flexible venting is to be used remove the rigid firestop spacer. The remaining hole is sized for flexible venting.

This application occurs when venting through an exterior wall. Having determined the air terminal location, cut and frame a hole in the exterior wall 9 7/8" wide by 11 3/8" high to accommodate the firestop sleeve assembly.

The length of the vent shield may be cut shorter for combustible walls that are less than 8 1/2" thick but the vent shield must extend the full depth of the combustible wall.

- C. Insert the firestop sleeve assembly into the wall, mark the wall depth and trim the vent sleeve to suit. The screws that secure the vent sleeve may need to be repositioned to ensure a rigid assembly is maintained.
- D. Apply a bead of caulking (not supplied) to the inside surface of the firestop flange and secure the assembly to the wall. (Ensure that the rectangular shaped assembly is installed to maintain 2" from the top of the vent).
- E. Once the vent pipe is installed in it's final position, apply high temperature sealant W573-0002 (not supplied) between the pipe and the firestop.



5.1.2 BCDV36 HORIZONTAL INSTALLATION

! WARNING

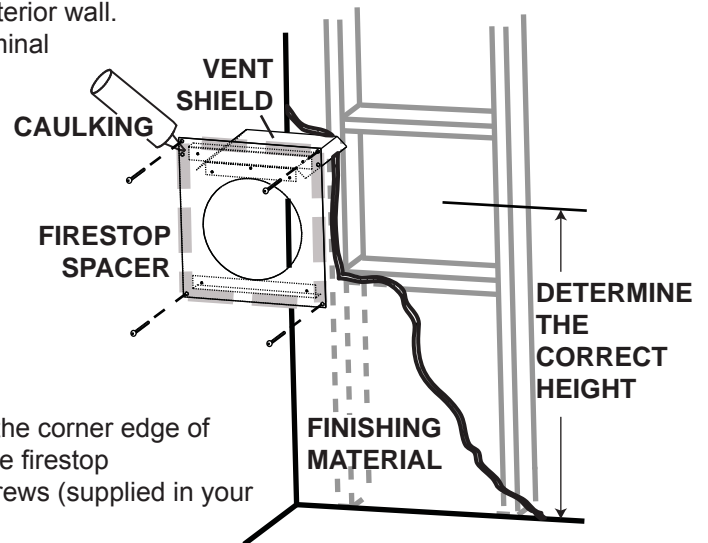
THE FIRESTOP ASSEMBLY MUST BE INSTALLED WITH THE VENT SHIELD TO THE TOP.

TERMINALS MUST NOT BE RECESSED INTO A WALL OR SIDING MORE THAN THE DEPTH OF THE RETURN FLANGE OF THE MOUNTING PLATE.

This application occurs when venting through an exterior wall.

Having determined the correct height for the air terminal location, cut and frame a hole in the exterior wall as illustrated to accommodate the firestop assembly. Dry fit the firestop assembly before proceeding to ensure the brackets on the rear surface fit to the inside surface of the horizontal framing.

The length of the vent shield may be cut shorter for combustible walls that are less than 8 1/2" thick but the vent shield must extend the full depth of the combustible wall.



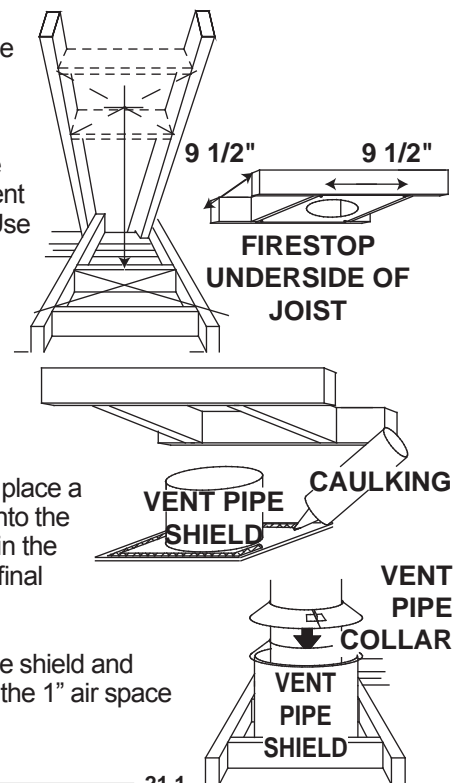
- A. Apply a bead of caulking (not supplied) around the corner edge of the inside surface of the firestop assembly, fit the firestop assembly to the hole and secure using the 4 screws (supplied in your manual baggie).
- B. Once the vent pipe is installed in its final position, apply high temperature sealant W573-0007 (not supplied) between the pipe and the firestop.

20.2

5.1.3 VERTICAL INSTALLATION

This application occurs when venting through a roof. Installation kits for various roof pitches are available from your authorized dealer / distributor. See accessories to order specific kits required.

- A. Determine the air terminal location, cut and frame a square opening as illustrated in the ceiling and the roof to provide the minimum 1" clearance between the vent pipe and any combustible material. Try to center the vent pipe location midway between two joists to prevent having to cut them. Use a plumb bob to line up the center of the openings. A vent pipe shield will prevent any materials such as insulation, from filling up the 1" air space around the pipe. Nail headers between the joist for extra support.
- B. Apply a bead of caulking (not supplied) to the framework or to the Wolf Steel vent pipe shield plate or equivalent (in the case of a finished ceiling), and secure over the opening in the ceiling. A firestop must be placed on the bottom of each framed opening in a roof or ceiling that the venting system passes through. Apply a bead of caulking all around and place a firestop spacer over the vent shield to restrict cold air from being drawn into the room or around the fireplace. Ensure that both spacer and shield maintain the required clearance to combustibles. Once the vent pipe is installed in its final position, apply sealant between the pipe and the firestop assembly.
- C. In the attic, slide the vent pipe collar down to cover up the open end of the shield and tighten. This will prevent any materials, such as insulation, from filling up the 1" air space around the pipe.



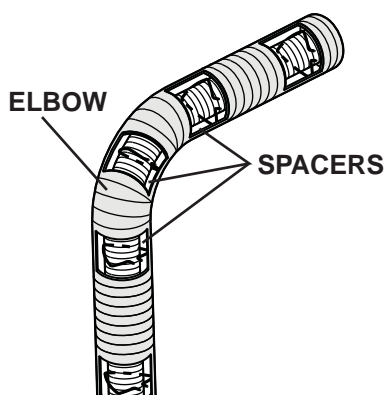
21.1

5.2 USING FLEXIBLE VENT COMPONENTS

! WARNING

DO NOT ALLOW THE INNER FLEX PIPE TO BUNCH UP ON HORIZONTAL OR VERTICAL RUNS AND ELBOWS. KEEP IT PULLED TIGHT.

SPACERS ARE ATTACHED TO THE INNER FLEX PIPE AT PREDETERMINED INTERVALS TO MAINTAIN AN EVEN AIR GAP TO THE OUTER FLEX PIPE. THIS GAP IS REQUIRED FOR SAFE OPERATION. A SPACER IS REQUIRED AT THE START, MIDDLE AND END OF EACH ELBOW TO ENSURE THIS GAP IS MAINTAINED. THESE SPACERS MUST NOT BE REMOVED.



For safe and proper operation of the appliance, follow the venting instructions exactly.

All inner flex pipe and outer flex pipe joints may be sealed using high temperature sealant W573-0002 (not supplied) or the high temperature sealant W573-0007 Mill Pac (not supplied). However, the high temperature sealant W573-0007 Mill Pac (not supplied) must be used on the joint connecting the inner flex pipe and the exhaust flue collar.

Use only approved flexible vent pipe kits marked:

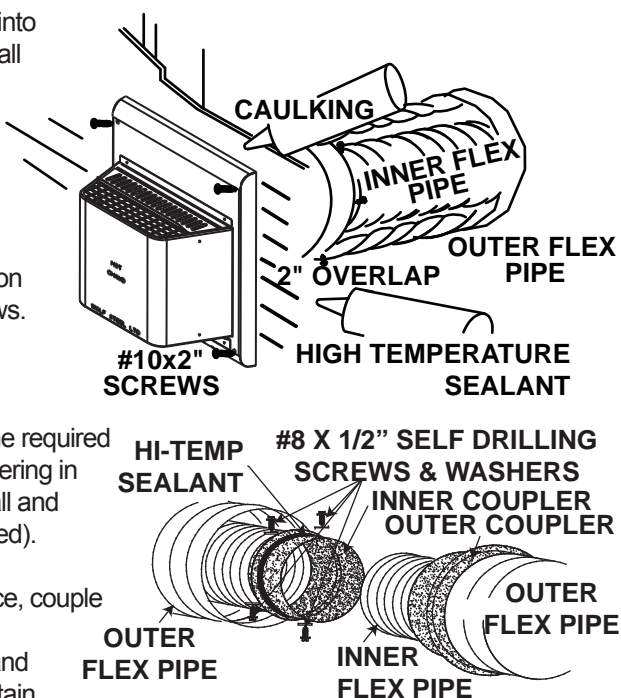


“Wolf Steel Approved Venting” as identified by the stamp only on the outer flex pipe.

22.1

5.2.1 HORIZONTAL AIR TERMINAL INSTALLATION

- A. Stretch the inner flex pipe to the required length taking into account the additional length needed for the finished wall surface. Apply a heavy bead of the high temperature sealant W573-0007 Mill Pac (not supplied) to the inner sleeve of the air terminal. Slip the vent pipe a minimum of 2" over the inner sleeve of the air terminal and secure with 3 #8 screws.
- B. Using the outer flex pipe, slide over the outer combustion air sleeve of the air terminal and secure with 3 #8 screws. Seal using high temperature sealant W573-0002 (not supplied).
- C. Insert the vent pipes through the firestop maintaining the required clearance to combustibles. Holding the air terminal (lettering in an upright, readable position), secure to the exterior wall and make weather tight by sealing with caulking (not supplied).
- D. If more vent pipe needs to be used to reach the fireplace, couple them together as illustrated. The vent system must be supported approximately every 3 feet for both vertical and horizontal runs. Use noncombustible strapping to maintain the minimum clearance to combustibles.



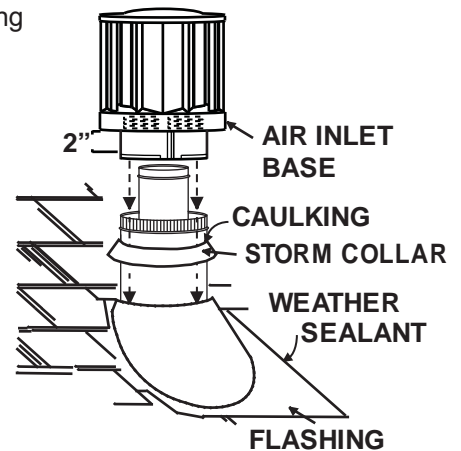
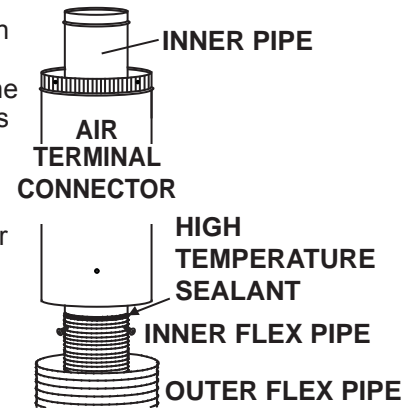
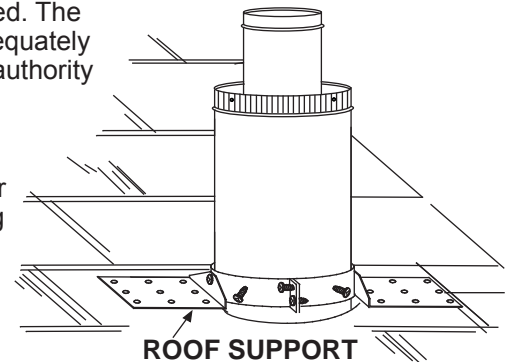
The air terminal mounting plate may be recessed into the exterior wall or siding no greater than the depth of its return flange.

23.1A

5.2.2 VERTICAL AIR TERMINAL INSTALLATION

! WARNING**MAINTAIN A MINIMUM 2" SPACE BETWEEN THE AIR INLET BASE AND THE STORM COLLAR.**

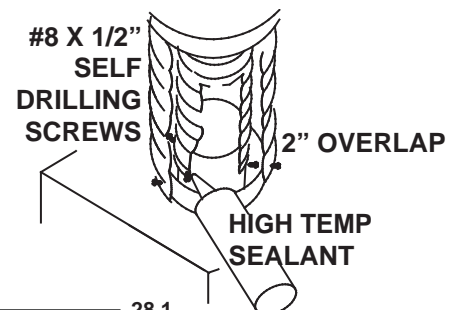
- A. Fasten the roof support to the roof using the screws provided. The roof support is optional. In this case the venting is to be adequately supported using either an alternate method suitable to the authority having jurisdiction or the optional roof support.
- B. Stretch the inner flex pipe to the required length. Slip the inner flex pipe a minimum of 2" over the inner pipe of the air terminal connector and secure with 3 #8 screws. Seal using a heavy bead of high temperature sealant W573-0007 (not supplied).
- C. Repeat using the outer flex pipe, using a heavy bead of high temperature sealant W573-0002 (not supplied).
- D. Thread the air terminal connector / vent pipe assembly down through the roof. The air terminal must be positioned vertically and plumb. Attach the air terminal connector to the roof support, ensuring that the top of the air terminal is 16" above the highest point that it penetrates the roof.
- E. Remove nails from the shingles, above and to the sides of the air terminal connector. Place the flashing over the air terminal connector leaving a min. 3/4" of the air terminal connector showing above the top of the flashing. Slide the flashing underneath the sides and upper edge of the shingles. Ensure that the air terminal connector is properly centred within the flashing, giving a 3/4" margin all around. Fasten to the roof. Do not nail through the lower portion of the flashing. Make weather-tight by sealing with caulking. Where possible, cover the sides and top edges of the flashing with roofing material.
- F. Aligning the seams of the terminal and air terminal connector, place the terminal over the air terminal connector making sure the vent pipe goes into the hole in the terminal. Secure with the three screws provided.
- G. Apply a heavy bead of weatherproof caulking 2" above the flashing. Install the storm collar around the air terminal and slide down to the caulking. Tighten to ensure that a weather-tight seal between the air terminal and the collar is achieved.
- H. If more vent pipe needs to be used to reach the appliance see "HORIZONTAL AIR TERMINAL INSTALLATION" section.



24.1

5.2.3 APPLIANCE VENT CONNECTION

- A. Install the inner flex pipe to the appliance. Secure with 3 screws and flat washers. Seal the joint and screw holes using the high temperature sealant W573-0007 (not supplied).
- B. Install the outer flex pipe to the appliance. Attach and seal the joints using the high temperature sealant W573-0002 (not supplied).



28.1

5.3 USING RIGID VENT COMPONENTS

The vent system must be supported approximately every 3 feet for both vertical and horizontal runs. Use Wolf Steel Ltd. support ring assembly or equivalent noncombustible strapping to maintain the minimum clearance to combustibles for both vertical and horizontal runs.

All inner exhaust and outer intake vent pipe joints may be sealed using either red high temperature silicone sealant W573-0002 (not supplied) or black high temperature sealant W573-0007 Mill Pac (not supplied) with the exception of the appliance exhaust flue collar which must be sealed using Mill Pac.

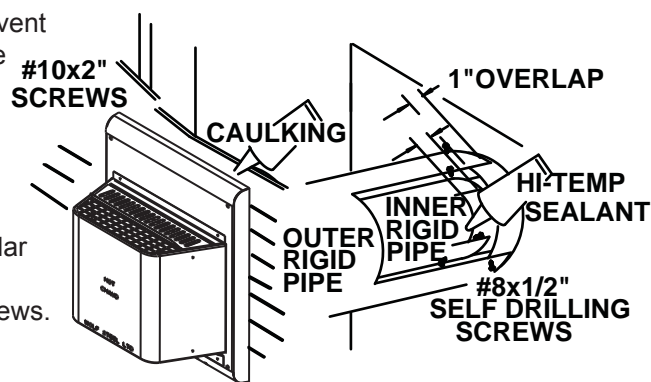
25.1

5.3.1 HORIZONTAL AIR TERMINAL INSTALLATION

! WARNING

RISK OF FIRE, DO NOT ALLOW LOOSE MATERIALS OR INSULATION TO TOUCH THE VENT PIPE. REMOVE INSULATION TO ALLOW FOR THE INSTALLATION OF THE ATTIC SHIELD AND TO MAINTAIN CLEARANCES TO COMBUSTIBLES.

- A. Move the appliance into position. Measure the vent length required between terminal and appliance taking into account the additional length needed for the finished wall surface and any 1¼" overlaps between venting components.
- B. Apply high temperature sealant W573-0007 (not supplied) to the outer edge of the inner collar of the appliance. Attach the first inner rigid pipe component and secure using 3 self tapping screws. Repeat using the outer rigid pipe.
- C. Insert the vent pipes through the firestop maintaining the required clearance to combustibles. Holding the air terminal (lettering in an upright, readable position), secure to the exterior wall and make weather tight by sealing with caulking (not supplied).



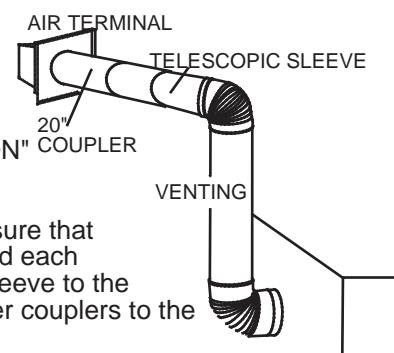
The air terminal mounting plate may be recessed into the exterior wall or siding no greater than the depth of the return flange.

26.1

5.3.2 EXTENDED HORIZONTAL AND CORNER TERMINAL INSTALLATION

A 45° corner installation can have 0" rise between the appliance combustion air collar and the air terminal. In this case, vent lengths must be kept to a maximum of 24". For longer vent lengths, a minimum vertical rise of 24" is required.

- A. Follow the instructions for "HORIZONTAL AIR TERMINAL INSTALLATION" section.
- B. Continue adding components alternating inner and outer vent pipes. Ensure that all inner vent pipes and elbows have sufficient vent spacers attached and each component is securely fastened to the one prior. Attach the telescopic sleeve to the vent run. Secure and seal. To facilitate completion, attach inner and outer couplers to the air terminal.
- C. Install the air terminal. See "HORIZONTAL AIR TERMINAL INSTALLATION" section. Extend the outer telescopic sleeve; connect to the air terminal assembly. Fasten with self tapping screws and seal.



48.2

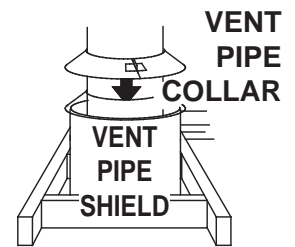
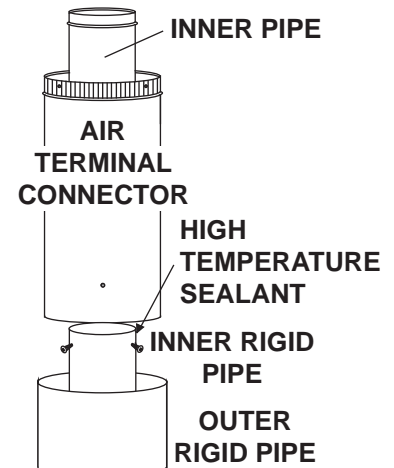
5.3.3 VERTICAL AIR TERMINAL INSTALLATION

NOTE: Before attaching elbows to the collars on the back of the appliance, 1 1/2" will need to be trimmed off the 4" collar.

REAR VENT APPLICATION: Attach 4" and 7" elbows to the appliance. Secure with 3 screws and seal the joints and screw heads using high temperature sealant. Proceed to step A below.

TOP VENT APPLICATION:

- A. Move the appliance into position.
 - B. Fasten the roof support to the roof using the screws provided. The roof support is optional. In this case the venting is to be adequately supported using either an alternate method suitable to the authority having jurisdiction or the optional roof support.
 - C. Apply high temperature sealant W573-0007 (not supplied) to the outer edge of the inner sleeve of the air terminal. Slip the inner coupler a minimum of 2" over the sleeve and secure using 3 screws.
 - D. Apply high temperature sealant W573-0002 (not supplied) to the outer edge of the of the outside sleeve of the air terminal connector. Slip the outer coupler over the sleeve and secure as before. Trim the outer coupler even with the inner coupler end.
 - E. Thread the air terminal connector / vent pipe assembly down through the roof support and attach, ensuring that a minimum 16" of air terminal connector will penetrate the roof when fastened. If the attic space is tight, we recommend threading the Wolf Steel vent pipe collar or equivalent loosely onto the air terminal connector / vent pipe assembly as it is passed through the attic. The air terminal connector must be positioned vertically and plumb.
 - F. Remove nails from the shingles, above and to the sides of the air terminal connector. Place the flashing over the air terminal connector and slide it underneath the sides and upper edge of the shingles. Ensure that the air terminal connector is properly centered within the flashing, giving a 3/4" margin all around. Fasten to the roof. **Do NOT nail through the lower portion of the flashing.** Make weather-tight by sealing with caulking. Where possible, cover the sides and top edges of the flashing with roofing material.
 - G. Apply a heavy bead of waterproof caulking 2" above the flashing. Install the storm collar around the air terminal and slide down to the caulking. Tighten to ensure that a weather-tight seal between the air terminal connector and the collar is achieved.
 - H. Continue adding rigid venting sections, sealing and securing as above. Attach the inner collapsed telescopic sleeve to the last section of rigid piping. Secure with screws and seal. Repeat using the outer telescopic sleeve.
- REAR VENT APPLICATION:**
- I. Run a bead of high temperature sealant W573-0007 (not supplied) around the outside of the inner elbow. Pull the telescopic sleeve a minimum of 2" onto the elbow. Secure with 3 screws. Repeat with the outer telescopic sleeve.
- TOP VENT APPLICATION:**
- J. Run a bead of high temperature sealant W573-0007 (not supplied) around the outside of the inner collar on the appliance. Pull the telescopic sleeve a minimum of 2" onto the collar. Secure with 3 screws. Repeat with the outer telescopic sleeve.
 - K. In the attic, slide the vent pipe collar down to cover up the open end of the shield and tighten. This will prevent any materials, such as insulation, from filling up the 1" air space around the pipe



27.1

5.3.4 CDV36 RESTRICTING VERTICAL VENTS

Vertical terminations running longer than 15 feet may display a very active flame. If this appearance is not desirable, the vent exit must be restricted using restrictor plate kit, RP-KT.

This reduces the velocity of the exhaust gasses, slowing down the flame pattern and creating a more traditional appearance. Specific instructions are included with the kit.

5.4 VERTICAL THROUGH EXISTING CHIMNEY

! WARNING**RISK OF FIRE!**

CO-AXIAL TO CO-LINEAR VENTING CONFIGURATIONS MUST ONLY BE USED IN A NON-COMBUSTIBLE CHIMNEY OR ENCLOSURE. INSTALLATION IN A COMBUSTIBLE ENCLOSURE COULD RESULT IN A FIRE.

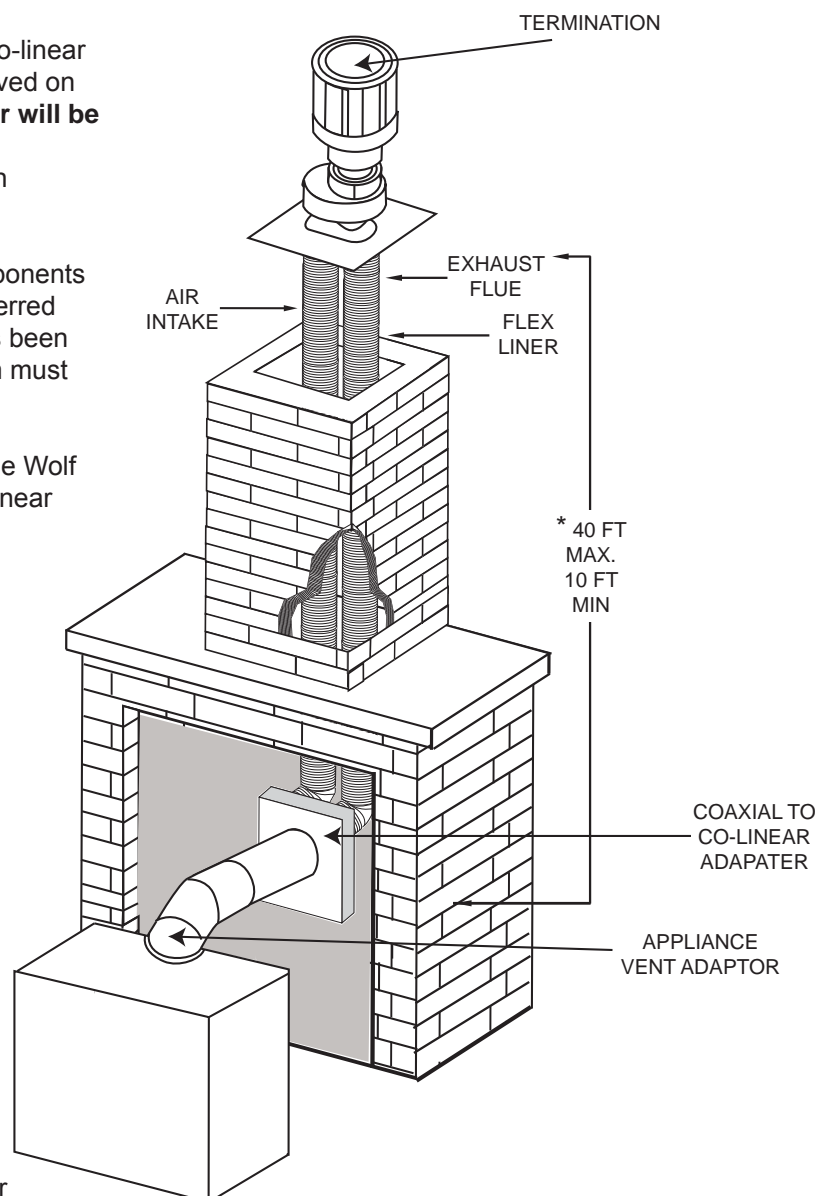
This appliance is designed to be attached to a 3" co-linear aluminum flex vent system running the full length of a masonry chimney.

The flex liners accommodate any contours of a masonry chimney, however, it is necessary to keep the flexible liners as straight as possible. The inlet air collar of the termination cap must be connected to the air intake flex liner and the exhaust collar must be connected to the exhaust flexible liner.

Both Simpson DuraVent and Selkirk co-linear to co-axial adaptors have been approved on this appliance (**NOTE: A vent adaptor will be required directly off the appliance**). Follow vent manufacturer's installation instructions.

Different manufacturer's venting components must not be combined. Once the preferred manufacturer's appliance adaptor has been attached, the remainder of the system must be that of the same manufacturer.

The only exception to this rule is to use Wolf Steel's approved 3" flex liner and co-linear termination.



* Measured from appliance flue collar to termination flue collar

5.5 MOBILE HOME INSTALLATION

This appliance is also certified to be installed as an OEM (Original Equipment Manufacturer) installation in a manufactured home (U.S. only) or mobile home and must be installed in accordance with the manufacturer's instructions and the Manufactured Home Construction and Safety Standard, Title 24 CFR, Part 3280, in the United States or the Mobile Home Standard, CAN/CSA Z240 MH Series, in Canada. This appliance is only for use with the type(s) of gas indicated on the rating plate.

This Mobile/Manufactured Home Listed appliance comes factory equipped with a means to secure the unit. Built in appliances are equipped with 1/4" diameter holes located in the front left and right corners of the base. Use #10 hex head screws, inserted through the holes in the base to secure. For free standing products contact your local authorized dealer / distributor for the appropriate securing kit. For mobile home installations, the appliance must be fastened in place. It is recommended that the appliance be secured in all installations. Always turn off the pilot and the fuel supply at the source, prior to moving the mobile home. After moving the mobile home and prior to lighting the appliance, ensure that the logs are positioned correctly.

This appliance is certified to be installed in an aftermarket permanently located, manufactured (mobile) home, where not prohibited by local codes.

This appliance is only for use with the type of gas indicated on the rating plate. This appliance is not convertible for use with other gases, unless a certified kit is used.


A conversion kit is supplied with the mobile home appliance.

Conversion Kits

This appliance is field convertible between Natural Gas (NG) and Propane (LP).

To convert from one gas to another consult your Authorized dealer/distributor.

5.6 GAS INSTALLATION

 WARNING
RISK OF FIRE, EXPLOSION OR ASPHYXIATION. ENSURE THERE ARE NO IGNITION SOURCES SUCH AS SPARKS OR OPEN FLAMES.
SUPPORT GAS CONTROL WHEN ATTACHING GAS SUPPLY PIPE TO PREVENT DAMAGING GAS LINE.
ALWAYS LIGHT THE PILOT WHETHER FOR THE FIRST TIME OR IF THE GAS SUPPLY HAS RUN OUT WITH THE GLASS DOOR OPENED OR REMOVED. PURGING OF THE GAS SUPPLY LINE SHOULD BE PERFORMED BY A QUALIFIED SERVICE TECHNICIAN. ASSURE THAT A CONTINUOUS GAS FLOW IS AT THE BURNER BEFORE CLOSING THE DOOR. ENSURE ADEQUATE VENTILATION. FOR GAS AND ELECTRICAL LOCATIONS, SEE “DIMENSION” SECTION.
ALL GAS CONNECTIONS MUST BE CONTAINED WITHIN THE APPLIANCE WHEN COMPLETE.
HIGH PRESSURE WILL DAMAGE VALVE. DISCONNECT GAS SUPPLY PIPING BEFORE TESTING GAS LINE AT TEST PRESSURES ABOVE 1/2 PSIG.
VALVE SETTINGS HAVE BEEN FACTORY SET, DO NOT CHANGE.

Installation and servicing to be done by a qualified installer.

- A. Move the appliance into position and secure.
- B. If equipped with a flex connector the appliance is designed to accept a 1/2" gas supply. Without the connector it is designed to accept a 3/8" gas supply. The appliance is equipped with a manual shut off valve to turn off the gas supply to the appliance.
- C. Connect the gas supply in accordance to local codes. In the absence of local codes, install to the current CAN/CSA-B149.1 Installation Code in Canada or to the current National Fuel Gas Code, ANSI Z223.1 / NFPA 54 in the United States.
- D. When flexing any gas line, support the gas valve so that the lines are not bent or kinked.
- E. The gas line flex-connector should be installed to provide sufficient movement for shifting the burner assembly on it's side to aid with servicing components.
- F. Check for gas leaks by brushing on a soap and water solution. **Do not use open flame.**

30.1A

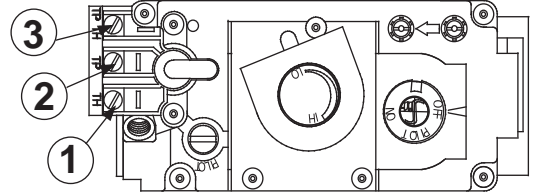
5.7 OPTIONAL WALL SWITCH

! WARNING

DO NOT CONNECT EITHER THE WALL SWITCH, THERMOSTAT OR GAS VALVE DIRECTLY TO 110 VOLT ELECTRICITY.

For ease of accessibility, an optional remote wall switch or millivolt thermostat may be installed in a convenient location. Route a 2 strand, solid core millivolt wire from the valve to the wall switch or millivolt thermostat. The recommended maximum lead length depends on wire size:

WIRE SIZE	MAX. LENGTH
14 gauge	100 feet
16 gauge	60 feet
18 gauge	40 feet



Disconnect the existing wires from terminals 1 and 3 (from the ON/OFF switch) and replace with the leads from the wall switch / millivolt thermostat.

50.1

6.0 FRAMING

6.1 CDV36 FRAMING

! WARNING**RISK OF FIRE!**

IN ORDER TO AVOID THE POSSIBILITY OF EXPOSED INSULATION OR VAPOUR BARRIER COMING IN CONTACT WITH THE APPLIANCE BODY, IT IS RECOMMENDED THAT THE WALLS OF THE APPLIANCE ENCLOSURE BE "FINISHED" (IE: DRYWALL / SHEETROCK), AS YOU WOULD FINISH ANY OTHER OUTSIDE WALL OF A HOME. THIS WILL ENSURE THAT CLEARANCE TO COMBUSTIBLES IS MAINTAINED WITHIN THE CAVITY.

DO NOT NOTCH THE FRAMING AROUND THE APPLIANCE STAND-OFFS. FAILURE TO MAINTAIN AIR SPACE CLEARANCE MAY CAUSE OVER HEATING AND FIRE. PREVENT CONTACT WITH SAGGING OR LOOSE INSULATION OR FRAMING AND OTHER COMBUSTIBLE MATERIALS. BLOCK OPENING INTO THE CHASE TO PREVENT ENTRY OF BLOWN-IN INSULATION. MAKE SURE INSULATION AND OTHER MATERIALS ARE SECURED.

WHEN CONSTRUCTING THE ENCLOSURE ALLOW FOR FINISHING MATERIAL THICKNESS TO MAINTAIN CLEARANCES. FRAMING OR FINISHING MATERIAL CLOSER THAN THE MINIMUMS LISTED MUST BE CONSTRUCTED ENTIRELY OF NON-COMBUSTIBLE MATERIALS. MATERIALS CONSISTING ENTIRELY OF STEEL, IRON, BRICK, TILE, CONCRETE, SLATE, GLASS OR PLASTERS, OR ANY COMBINATION THEREOF ARE SUITABLE. MATERIALS THAT ARE REPORTED AS PASSING ASTM E 136, STANDARD TEST METHOD FOR BEHAVIOUR OF MATERIALS IN A VERTICAL TUBE FURNACE AT 750°C AND UL763 SHALL BE CONSIDERED NON-COMBUSTIBLE MATERIALS.

MINIMUM CLEARANCE TO COMBUSTIBLES MUST BE MAINTAINED OR A SERIOUS FIRE HAZARD COULD RESULT.

THE APPLIANCE REQUIRES A MINIMUM ENCLOSURE HEIGHT. MEASURE FROM THE APPLIANCE BASE.

IF STEEL STUD FRAMING KITS WITH CEMENT BOARD ARE PROVIDED, THEY MUST BE INSTALLED.

71.1

It is best to frame your appliance after it is positioned and the vent system is installed. Frame to local building codes.

It is not necessary to install a hearth extension with this appliance system.

When roughing in the appliance, raise the appliance to accommodate for the thickness of the finished floor materials, i.e. tile, carpeting, hard wood, which if not planned for will interfere with the opening of the lower access door and the installation of many decorative flashing accessories.

Combustible materials may be installed flush with the front of the appliance but must not cover any of the black face-areas of the appliance. Non-combustible material (brick, stone or ceramic tile) may protrude in these areas.

Minimum clearance to combustible construction from appliance and vent surfaces:

Combustible Framing:

- 0" to stand-offs
- 1" to bottom and sides of the vent pipe*
- 2" to top of the vent pipe*

Combustible Finishing:

- 0" to rear
- 0" to front face top and sides
- 14 1/4" recessed depth

Rear Exit

- 42 1/4" to enclosure top from base of the appliance
- 54" to ceiling from base of the appliance

Top Exit

- 63" to enclosure top from base of the appliance
- 54" to ceiling from base of the appliance

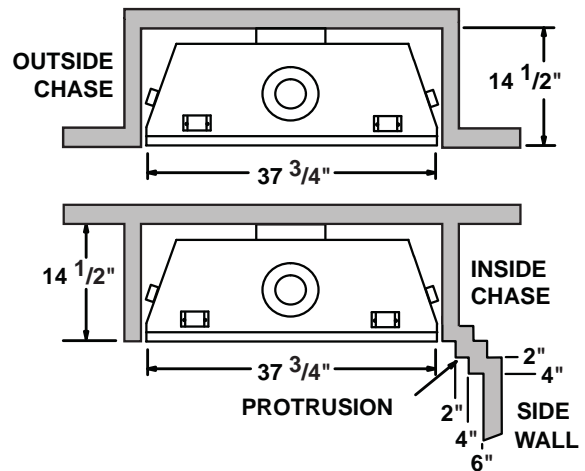
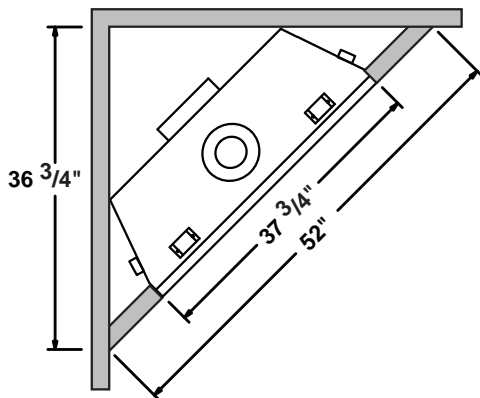
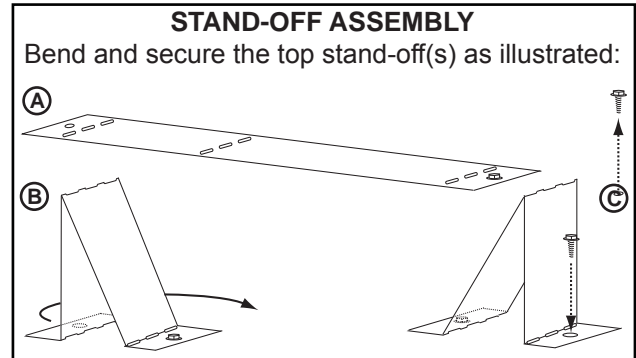
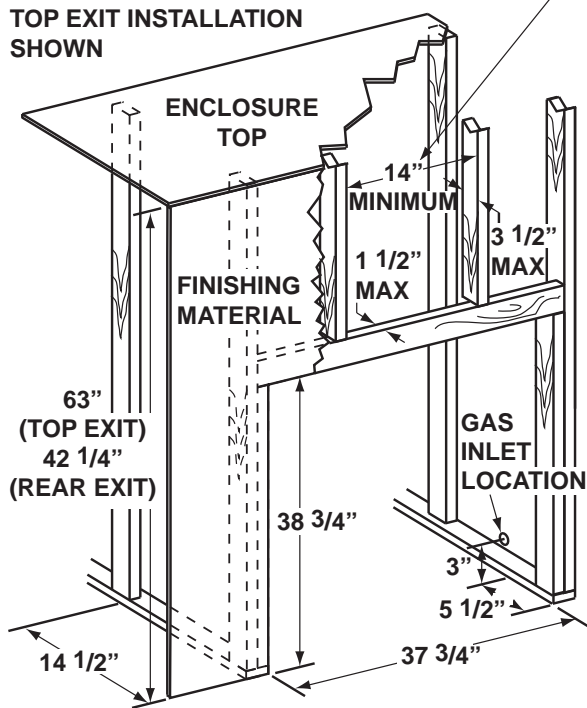
* **CDV36 HORIZONTAL VENT SECTIONS:** A minimum clearance of 1" at the bottom and sides and 2" at the top of the vent pipe on all horizontal runs to combustibles is required. Use firestop spacer W010-1777 (supplied).

* **CDV36 VERTICAL VENT SECTIONS:** A minimum of 1" all around the vent pipe on all vertical runs to combustibles is required except for clearances in appliance enclosures. See "MINIMUM ENCLOSURE CLEARANCES" section. Use firestop spacer W500-0096 (not supplied).

6.1.1 MINIMUM FRAMING DIMENSIONS

! WARNING

FOR TOP EXIT APPLICATIONS: DO NOT BUILD INTO THIS AREA. IT MUST BE LEFT CLEAR TO PROVIDE ADEQUATE CLEARANCE FOR THE VENT. IN THIS 14" WIDE AREA CENTRED ALONG THE FRONT OF THE APPLIANCE, NO COMBUSTIBLES ARE ALLOWED.



Combustion protrusions such as mantels and shelves may occur at or after a minimum distance of 2" away from the side of the appliance.

Thereafter, the depth of any protrusions must be equal to or less than the distance from the side of the appliance up to a depth of 6", after which no greater clearance than 6" is required. This can be considered a side wall with no length boundary.

6.2 BCDV36 FRAMING

! WARNING
RISK OF FIRE!
IN ORDER TO AVOID THE POSSIBILITY OF EXPOSED INSULATION OR VAPOUR BARRIER COMING IN CONTACT WITH THE APPLIANCE BODY, IT IS RECOMMENDED THAT THE WALLS OF THE APPLIANCE ENCLOSURE BE "FINISHED" (IE: DRYWALL / SHEETROCK), AS YOU WOULD FINISH ANY OTHER OUTSIDE WALL OF A HOME. THIS WILL ENSURE THAT CLEARANCE TO COMBUSTIBLES IS MAINTAINED WITHIN THE CAVITY.
DO NOT NOTCH THE FRAMING AROUND THE APPLIANCE STAND-OFFS. FAILURE TO MAINTAIN AIR SPACE CLEARANCE MAY CAUSE OVER HEATING AND FIRE. PREVENT CONTACT WITH SAGGING OR LOOSE INSULATION OR FRAMING AND OTHER COMBUSTIBLE MATERIALS. BLOCK OPENING INTO THE CHASE TO PREVENT ENTRY OF BLOWN-IN INSULATION. MAKE SURE INSULATION AND OTHER MATERIALS ARE SECURED.
WHEN CONSTRUCTING THE ENCLOSURE ALLOW FOR FINISHING MATERIAL THICKNESS TO MAINTAIN CLEARANCES. FRAMING OR FINISHING MATERIAL CLOSER THAN THE MINIMUMS LISTED MUST BE CONSTRUCTED ENTIRELY OF NON-COMBUSTIBLE MATERIALS. MATERIALS CONSISTING ENTIRELY OF STEEL, IRON, BRICK, TILE, CONCRETE, SLATE, GLASS OR PLASTERS, OR ANY COMBINATION THEREOF ARE SUITABLE. MATERIALS THAT ARE REPORTED AS PASSING ASTM E 136, STANDARD TEST METHOD FOR BEHAVIOUR OF MATERIALS IN A VERTICAL TUBE FURNACE AT 750°C AND UL763 SHALL BE CONSIDERED NON-COMBUSTIBLE MATERIALS.
MINIMUM CLEARANCE TO COMBUSTIBLES MUST BE MAINTAINED OR A SERIOUS FIRE HAZARD COULD RESULT.
THE APPLIANCE REQUIRES A MINIMUM ENCLOSURE HEIGHT. MEASURE FROM THE APPLIANCE BASE.
IF STEEL STUD FRAMING KITS WITH CEMENT BOARD ARE PROVIDED, THEY MUST BE INSTALLED.

71.1

It is best to frame your appliance after it is positioned and the vent system is installed. Frame to local building codes.

It is not necessary to install a hearth extension with this appliance.

When roughing in the appliance, raise the appliance to accommodate for the thickness of the finished floor materials, i.e. tile, carpeting, hard wood, which if not planned for will interfere with the opening of the lower access door and the installation of many decorative flashing accessories.

Combustible materials may be installed flush with the front of the appliance but must not cover any of the black face-areas of the appliance. Non-combustible material (brick, stone or ceramic tile) may protrude in these areas.

<p>Minimum clearance to combustible construction from appliance and vent surfaces:</p> <p>Combustible Framing:</p> <ul style="list-style-type: none"> - 0" to stand-offs - 1" to bottom and sides of the vent pipe* - 2" to top of the vent pipe* <p>Combustible Finishing:</p> <ul style="list-style-type: none"> - 0" to rear - 0" to front face top and sides - 14 1/4" recessed depth <p>Rear Exit</p> <ul style="list-style-type: none"> - 39" to enclosure top from base of the appliance - 54" to ceiling from base of the appliance <p>Top Exit</p> <ul style="list-style-type: none"> - 48 3/8" to enclosure top from base of the appliance - 54" to ceiling from base of the appliance

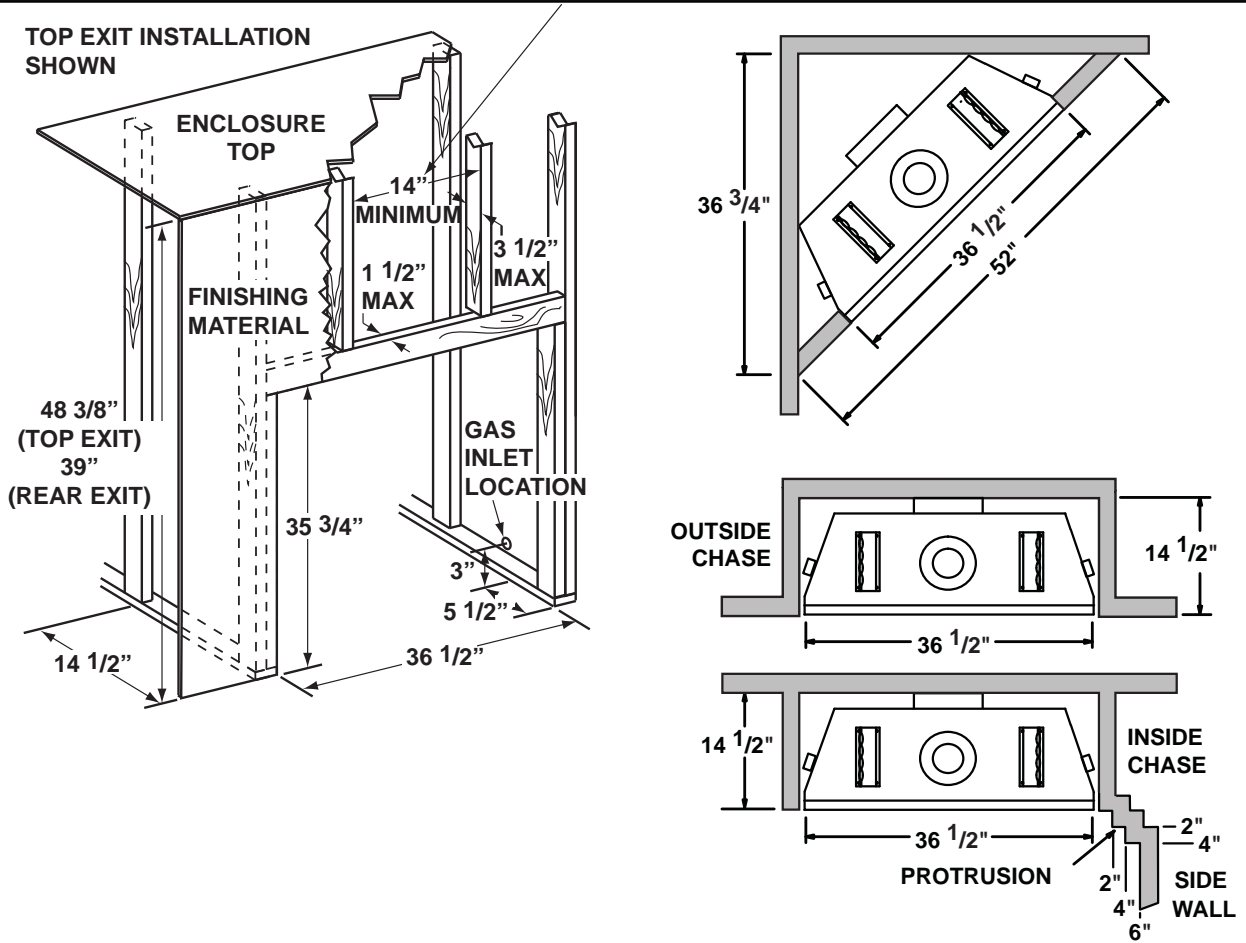
* **BCDV36 HORIZONTAL VENT SECTIONS:** A minimum of 1" at the bottom and sides and 2" at the top of the vent pipe on all horizontal runs to combustibles is required. Use firestop spacer W010-1774 (supplied).

* **BCDV36 VERTICAL VENT SECTIONS:** A minimum of 1" all around the vent pipe on all vertical runs to combustibles is required except for clearances in appliance enclosures. See "MINIMUM ENCLOSURE CLEARANCES" section. Use firestop spacer W500-0096 (not supplied).

6.2.1 MINIMUM FRAMING DIMENSIONS

! WARNING

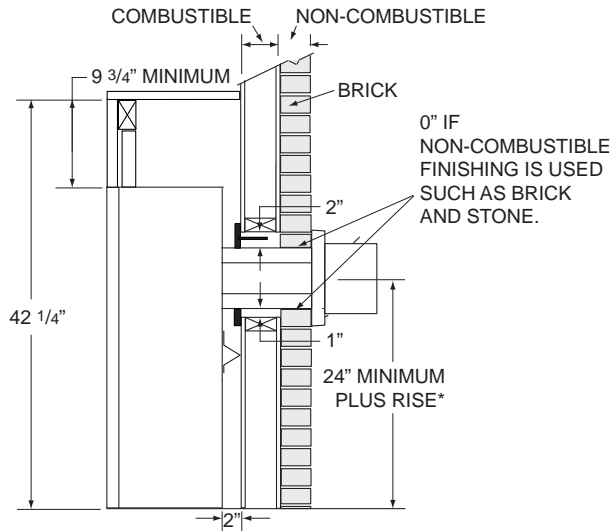
FOR TOP EXIT APPLICATIONS: DO NOT BUILD INTO THIS AREA. IT MUST BE LEFT CLEAR TO PROVIDE ADEQUATE CLEARANCE FOR THE VENT. IN THIS 14" WIDE AREA CENTRED ALONG THE FRONT OF THE APPLIANCE, NO COMBUSTIBLES ARE ALLOWED.



Combustion protrusions such as mantels and shelves may occur at or after a minimum distance of 2" away from the side of the appliance. Thereafter, the depth of any protrusions must be equal to or less than the distance from the side of the appliance up to a depth of 6", after which no greater clearance than 6" is required. This can be considered a side wall with no length boundary.

6.3 MINIMUM ENCLOSURE CLEARANCES

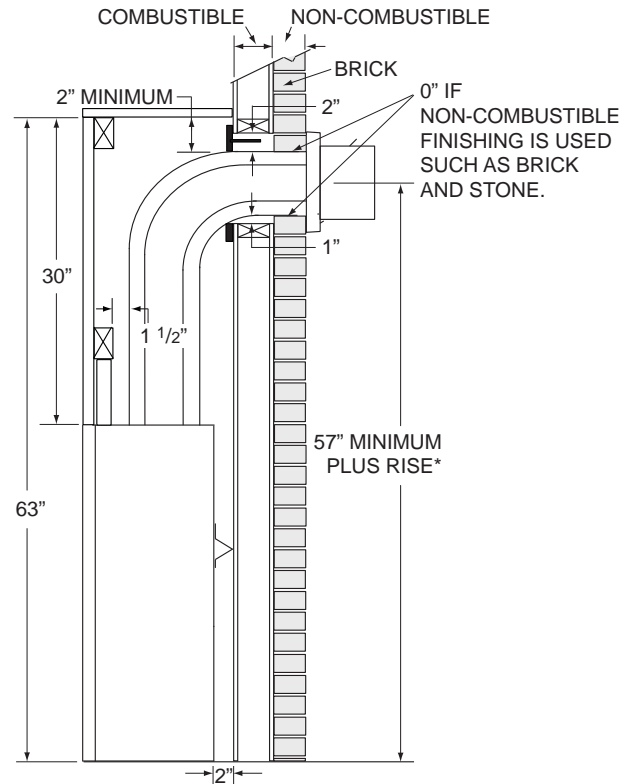
6.3.1 CDV36



REAR EXIT ENCLOSURE

The appliance requires a minimum enclosure height of 42 1/4". For temperature requirements, the enclosure space around and above the appliance must be left unobstructed.

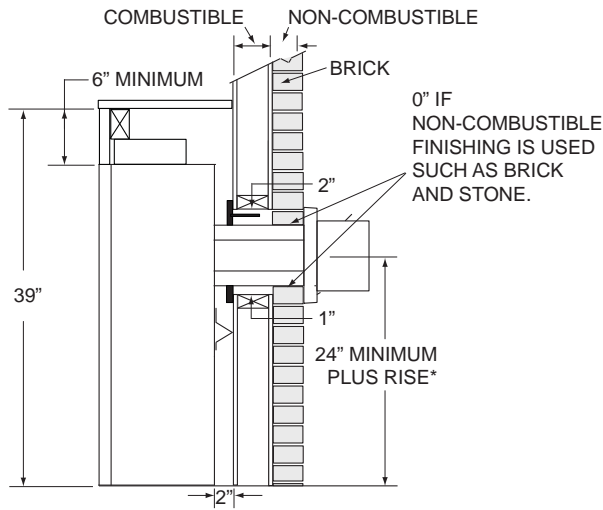
* See "VENTING" section.



TOP EXIT ENCLOSURE

The appliance requires a minimum enclosure height of 63". For temperature requirements, the enclosure space around and above the appliance must be left unobstructed.

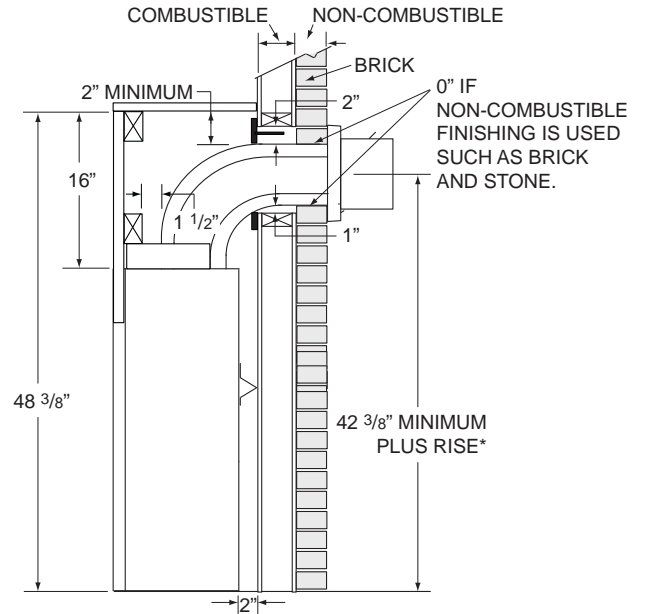
6.3.2 BCDV36



REAR EXIT ENCLOSURE

The appliance requires a minimum enclosure height of 39". For temperature requirements, the enclosure space around and above the appliance must be left unobstructed.

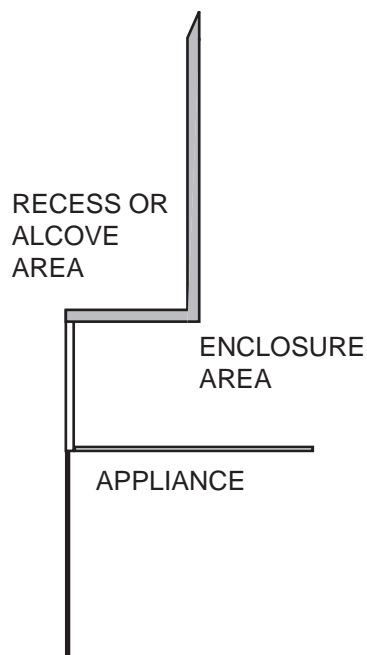
* See "VENTING" section.



TOP EXIT ENCLOSURE

The appliance requires a minimum enclosure height of 48 3/8". For temperature requirements, the enclosure space around and above the appliance must be left unobstructed.

6.4 ALCOVE CLEARANCES



NOTE: Recesses or alcoves above the appliance can be made as deep as desired provided the minimum clearances to combustibles are maintained.

Non-combustible material can be used, provided the minimum clearances to combustible materials are applied.

The minimum enclosure volume must be increased by no less than the volume of the recess. This adjustment can be made by increasing any or all of the height, width and depth of the enclosure.

71.2

6.5 MINIMUM MANTEL CLEARANCES

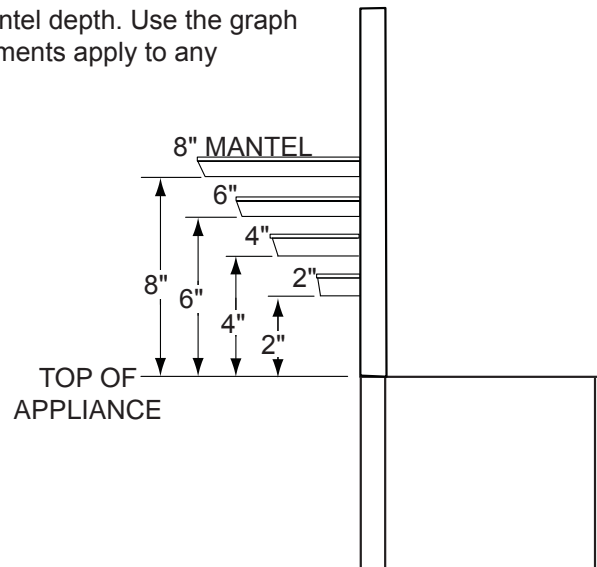
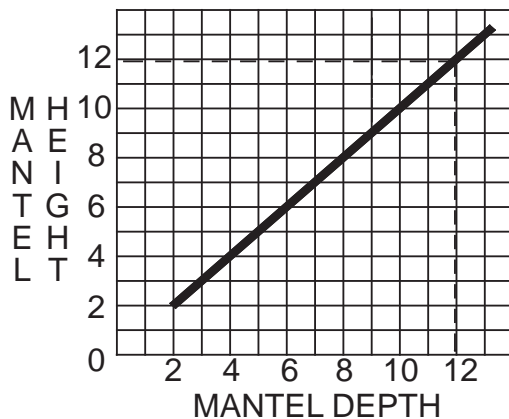
! WARNING

RISK OF FIRE, MAINTAIN ALL SPECIFIED AIR SPACE CLEARANCES TO COMBUSTIBLES. FAILURE TO COMPLY WITH THESE INSTRUCTIONS MAY CAUSE A FIRE OR CAUSE THE APPLIANCE TO OVERHEAT. ENSURE ALL CLEARANCES (I.E. BACK, SIDE, TOP, VENT, MANTEL, FRONT, ETC.) ARE CLEARLY MAINTAINED.

WHEN USING PAINT OR LACQUER TO FINISH THE MANTEL, THE PAINT OR LACQUER MUST BE HEAT RESISTANT TO PREVENT DISCOLOURATION.

73.1

Combustible Mantel clearance can vary according to the Mantel depth. Use the graph to help evaluate the clearance needed. These same requirements apply to any combustibles protruding on either side of the appliance.



6.6 BCDV36 NAILING TAB INSTALLATION

- A. Attach the nailing tabs to the corner posts using the 2 sheet metal screws supplied. Secure through the centre of the top and bottom slots in the nailing tab and then through the existing holes in the corner posts. If there are no existing holes, follow these instructions:
- B. To determine the final location of the nailing tab you must first determine the thickness of your finishing material (i.e. drywall). This will determine the dimension from the front edge of the corner post to the nailing tab. Once the nailing tab is in the desired location, drill through the centre hole of the nailing tab. Secure with a sheet metal screw*.

* Additional set screws may be installed.



55.1A

7.0 FINISHING

! WARNING
RISK OF FIRE!
NEVER OBSTRUCT THE FRONT OPENING OF THE APPLIANCE.
THE FRONT OF THE APPLIANCE MUST BE FINISHED WITH ANY NON-COMBUSTIBLE MATERIALS SUCH AS BRICK, MARBLE, GRANITE, ETC., PROVIDED THAT THESE MATERIALS DO NOT GO BELOW THE SPECIFIED DIMENSION AS ILLUSTRATED.
DO NOT STRIKE, SLAM OR SCRATCH GLASS. DO NOT OPERATE APPLIANCE WITH GLASS REMOVED, CRACKED, BROKEN OR SCRATCHED.
FACING AND/OR FINISHING MATERIAL MUST NEVER OVERHANG INTO THE APPLIANCE OPENING.

72.1A

7.1 DOOR REMOVAL AND INSTALLATION

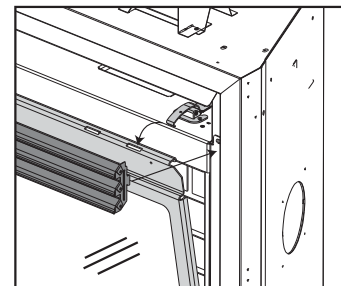
! WARNING
GLASS MAY BE HOT, DO NOT TOUCH GLASS UNTIL COOLED.
THE DOOR LATCHES ARE PART OF A SAFETY SYSTEM AND MUST BE PROPERLY ENGAGED. DO NOT OPERATE THE APPLIANCE WITH LATCHES DISENGAGED.
FACING AND/OR FINISHING MATERIALS MUST NOT INTERFERE WITH AIR FLOW THROUGH AIR OPENINGS, LOUVRES OPENINGS, OPERATION OF LOUVRES OR DOORS OR ACCESS FOR SERVICE. OBSERVE ALL CLEARANCES WHEN APPLYING COMBUSTIBLE MATERIALS.
BEFORE DOOR IS REMOVED TURN THE APPLIANCE OFF AND WAIT UNTIL APPLIANCE IS COOL TO THE TOUCH. DOORS ARE HEAVY AND FRAGILE SO HANDLE WITH CARE.

75.1

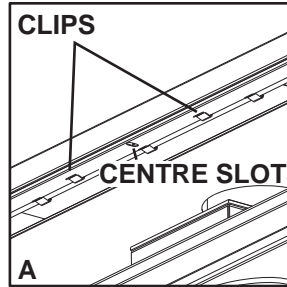
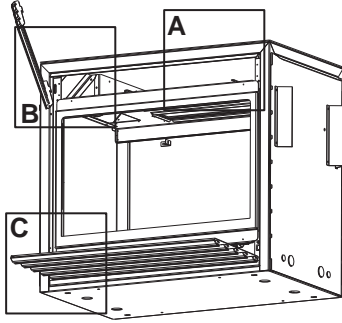
The upper louvres must be removed to allow the door to be opened or closed. To access the lower door latch, open the valve control door. Release the top and bottom door latches, located at the right side of the door.

Optional plated door trim, and arched door facia are available at your local authorized dealer / distributor.

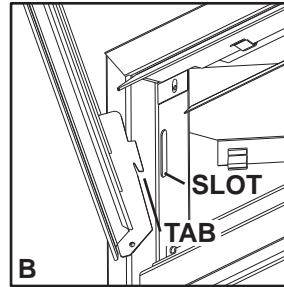
NOTE: The protective wrap on plated parts is best removed when the assembly is at room temperature but this can be improved if the assembly is warmed, using a hair dryer or similar heat source.



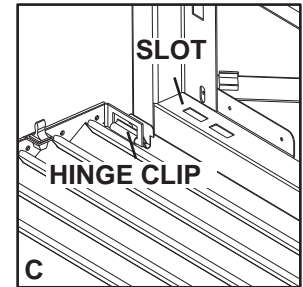
7.2 LOUVRE INSTALLATION

**HOOD**

Attach the hood by pressing the top flange into the clips along the top of the louvre opening. Secure using a screw through the centre slot.

**UPPER LOUVRES**

Insert the louvre tabs into the slots located at the top left and right corners of the unit.

**LOWER LOUVRES**

Insert the hinge clips into the slots located at the bottom left and right corners of the unit. To remove the louvres, pull the back tabs of the clips forward, while pushing the louvre assembly back. Lift the clip.

57.2

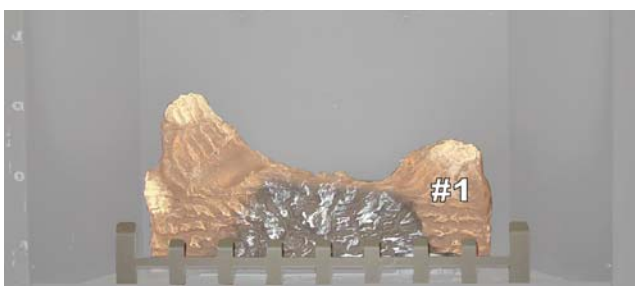
7.3 LOG PLACEMENT

! WARNING
FAILURE TO POSITION THE LOGS IN ACCORDANCE WITH THESE DIAGRAMS OR FAILURE TO USE ONLY LOGS SPECIFICALLY APPROVED WITH THIS APPLIANCE MAY RESULT IN PROPERTY DAMAGE OR PERSONAL INJURY.
LOGS MUST BE PLACED IN THEIR EXACT LOCATION IN THE APPLIANCE. DO NOT MODIFY THE PROPER LOG POSITIONS, SINCE APPLIANCE MAY NOT FUNCTION PROPERLY AND DELAYED IGNITION MAY OCCUR.
THE LOGS ARE FRAGILE AND SHOULD BE HANDLED WITH CARE.

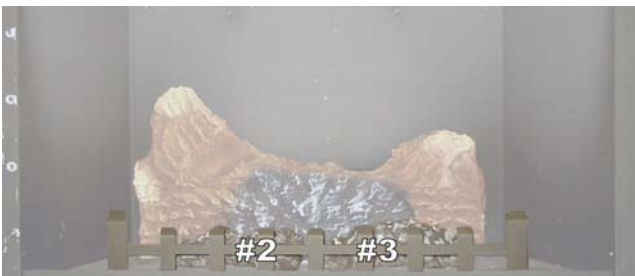
76.1A

PHAZER™ logs and glowing embers exclusive to Continental Fireplaces, provide a unique and realistic glowing effect that is different in every installation. Take the time to carefully position the glowing embers for a maximum glowing effect.

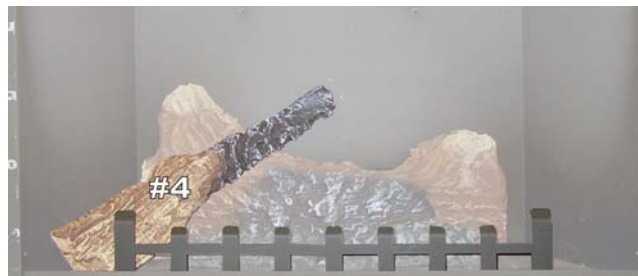
Log colours may vary. During the initial use of the fireplace, the colours will become more uniform as colour pigments burn in during the heat activated curing process.



- A.** Place the back log (#1) onto the log support tray and in front of the tabs. The tabs maintain an air space between the log and firebox back to facilitate combustion air flow. Ensure that the back of the log rests against the brackets on the back wall of the firebox.



- B.** Move the two small logs (#2 & #3) into position, lining up the studs located on the burner with the holes on the bottom of the logs. Ensure that the small logs sit flat on the burner.



- C.** Place the bottom of the left crossover log (#4) against the left firebox side and pulled forward to the grate. The top of the log should rest in the pocket on the back log.



- D.** Position the base end of the center log (#5) against the middle grate post with the other end of the log resting in the pocket of the left crossover log.



- E.** Place the bottom of the right crossover log (#6) against the right firebox side and pulled forward to the grate. The top of the log should rest in the pocket provided on the center log (#5).

7.4 CHARCOAL EMBERS

Randomly place the charcoal embers along the front and sides of the log support tray in a realistic manner.

Fine dust found in the bottom of the bag should not be used.

NOTE: Charcoal embers are not to be placed on the burner.

 32.1

7.5 VERMICULITE (MODEL CDV36 ONLY)

Sprinkle vermiculite around the charcoal embers.

NOTE: Vermiculite is not to be placed on the burner.

 33.1

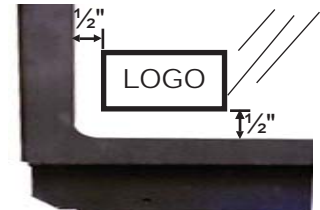
7.6 GLOWING EMBERS

Tear the embers into pieces and place along the front row of ports covering all of the burner area in front of the small logs. Care should be taken to shred the embers into thin, small irregular pieces as only the exposed edges of the fibre hairs will glow. **The ember material will only glow when exposed to direct flame; however, care should be taken to not block the burner ports.**

Blocked burner ports can cause an incorrect flame pattern, carbon deposits and delayed ignition. **PHAZER™** logs glow when exposed to direct flame. Use only certified "glowing embers" and **PHAZER™** logs available from your authorized dealer / distributor.

7.7 LOGO PLACEMENT

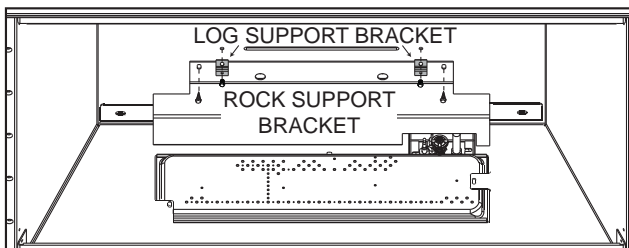
Remove the backing of the logo supplied and place on the glass viewing door, as indicated.



 97.1

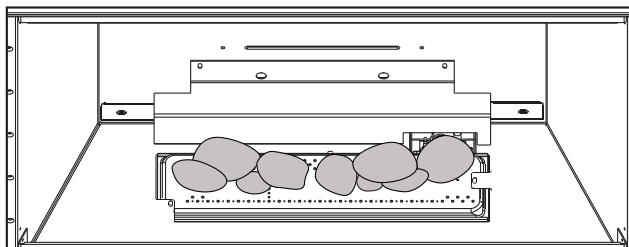
7.8 OPTIONAL ROCK KIT

(RAK-ROCK ADAPTOR KIT IS NECESSARY WITH THIS KIT).

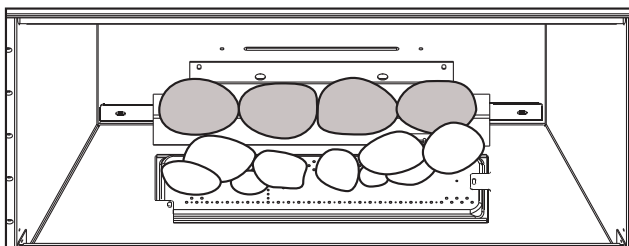
! WARNING**REAL ROCKS MUST NOT BE USED IN THIS APPLIANCE. HEAT WILL CAUSE THEM TO EXPLODE.**

- A. Remove all logs and media.
 B. Remove the 2 screws and log support brackets already installed in the firebox and secure the rock support bracket along the back of the firebox.

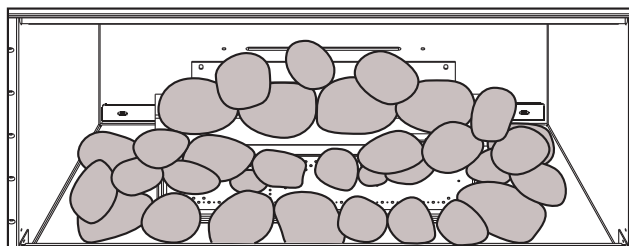
NOTE: When the porcelain panels are installed, the rock support bracket is secured over the rear porcelain panel. Tabs on rear porcelain panel must be bent up to sit flush on the rock support bracket.



- C. Move the two rock clusters into position, lining up the studs located on the burner with the holes in the bottom of the rocks. Ensure the clusters are sitting flat on the burner.
NOTE: For best results its recommended you remove the grate and using Wolf Steel approved paint, paint the surfaces underneath where the grate was removed. High temperature silicone can be used to help hold the cutout rocks in place.



- D. Place the large cut out rocks along the edge of the rock support bracket as shown.



- E. Place the remaining refractory rocks around the burner as desired, **making sure not to cover any burner ports.** (There are no set locations).

8.0 OPTIONAL BLOWER INSTALLATION

! WARNING**RISK OF FIRE AND ELECTRICAL SHOCK.****TURN OFF THE GAS AND ELECTRICAL POWER BEFORE SERVICING THIS APPLIANCE.****USE ONLY WOLF STEEL APPROVED OPTIONAL ACCESSORIES AND REPLACEMENT PARTS WITH THIS APPLIANCE. USING NON-LISTED ACCESSORIES (BLOWERS, DOORS, LOUVRES, TRIMS, GAS COMPONENTS, VENTING COMPONENTS, ETC.) COULD RESULT IN A SAFETY HAZARD AND WILL VOID THE WARRANTY AND CERTIFICATION.****ENSURE THAT THE FAN'S POWER CORD IS NOT IN CONTACT WITH ANY SURFACE OF THE APPLIANCE TO PREVENT ELECTRICAL SHOCK OR FIRE DAMAGE. DO NOT RUN THE POWER CORD BENEATH THE APPLIANCE.****THE WIRE HARNESS PROVIDED IN THE BLOWER KIT IS A UNIVERSAL HARNESS. WHEN INSTALLED, ENSURE THAT ANY EXCESS WIRE IS CONTAINED, PREVENTING IT FROM MAKING CONTACT WITH MOVING OR HOT OBJECTS.**

51.5

INSTALLATION TO BE DONE BY A QUALIFIED INSTALLER and must be electrically connected and grounded in accordance with local codes. In the absence of local codes, use the current CSA C22.1 Canadian electrical code in Canada or the ANSI / NFPA 70 National Electrical Code in the United States.

If the appliance was not previously equipped with a blower:

Route a grounded 2-wire, 60hz power cable to the receptacle / junction box. At this point, it must be strain relieved and insulated.

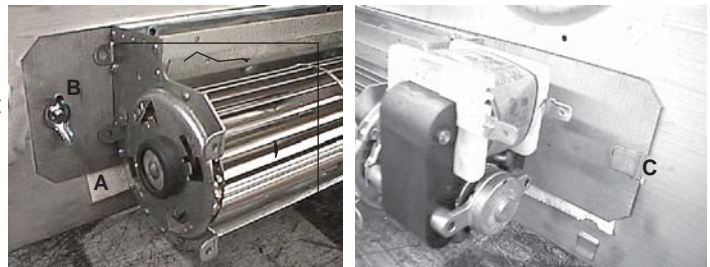
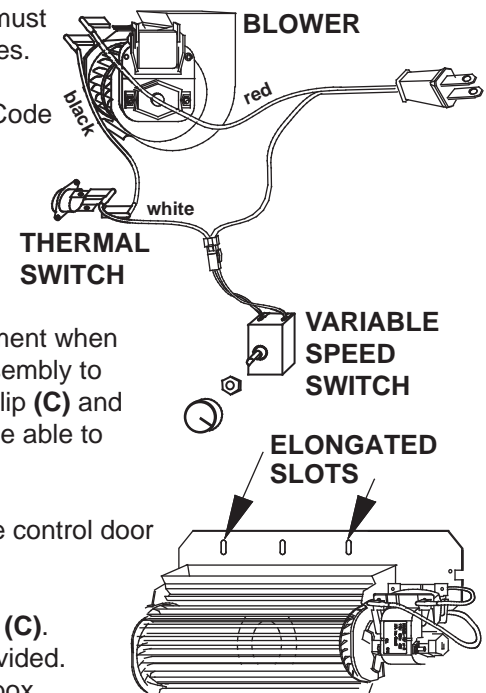
The three slots on the blower mounting bracket allow ease of adjustment when attaching the blower. For a quiet running blower, do not allow the assembly to sit on the firebox base. Slide the vibration reducing pad (A) into the clip (C) and up against the threaded stud (B) at the other end. The blower must be able to be positioned entirely onto the pad.

To ease installation of the blower, remove the hinge screen and valve control door (lower louvres) from the base of the appliance.

Tilt the blower onto its side. Slide it past the controls and into the clip (C). Secure to the threaded stud using the lock washer and wing nut provided. Ensure that the blower does not touch the appliance base or the firebox.

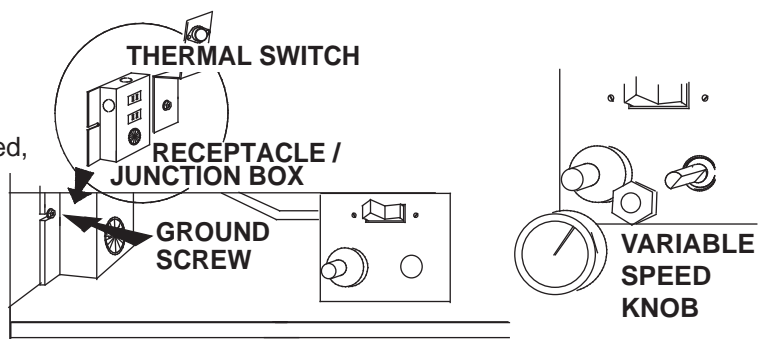
Attach the connectors from the black and white wires to the thermal switch and secure the thermal switch bracket to the bottom left of the unit using the screws provided. Ensure that the thermal switch touches the firebox wall.

Attach the connectors from the black and red wires to the blower.



Attach and secure the variable speed switch using the nut provided. Plug the harness cord into the receptacle. The wire harness provided in this kit is a universal harness. When installed, ensure that any excess wire is contained, preventing it from making contact with moving or hot objects.

Because the blower is thermally activated, when turned on, it will automatically start approximately 10 minutes after lighting the appliance and will run for approximately 30-45 minutes after the appliance has been turned off. Use of the fan increases the output of heat. Drywall dust will penetrate into the blower bearings, causing irreparable damage. Care must be taken to prevent drywall dust from coming into contact with the blower or its compartment. Any damage resulting from this condition is not covered by the warranty policy.



 51.1

9.0 OPERATION

WARNING

IF YOU DO NOT FOLLOW THESE INSTRUCTIONS EXACTLY, A FIRE OR EXPLOSION MAY RESULT CAUSING PROPERTY DAMAGE, PERSONAL INJURY OR LOSS OF LIFE.

ALWAYS LIGHT THE PILOT WHETHER FOR THE FIRST TIME OR IF THE GAS SUPPLY HAS RUN OUT WITH THE GLASS DOOR OPENED OR REMOVED.

Ensure that a continuous gas flow is at the burner before installing the door. When lit for the first time, the appliance will emit an odor for a few hours. This is a normal temporary condition caused by the "burn-in" of paints and lubricants used in the manufacturing process and will not occur again.

After extended periods of non-operation such as following a vacation or a warm weather season, the appliance may emit a slight odor for a few hours. This is caused by dust particles in the heat exchanger burning off. In both cases, open a window to sufficiently ventilate the room.

FOR YOUR SAFETY READ BEFORE LIGHTING:

- A. This appliance is equipped with a pilot which must be lit by hand while following these instructions exactly.
- B. Before operating smell all around the appliance area for gas and next to the floor because some gas is heavier than air and will settle on the floor.
- C. Use only your hand to turn the gas control knob. Never use tools. If the knob will not turn by hand, do not try to repair it. Call a qualified service technician. Force or attempted repair may result in a fire or explosion.
- D. Do not use this appliance if any part has been under water. Immediately call a qualified service technician to inspect the appliance and replace any part of the control system and any gas control which has been under water.

WHAT TO DO IF YOU SMELL GAS:




- Turn off all gas to the appliance.
- Open windows.
- Do not try to light any appliance.
- Do not touch any electric switch; do not use any phone in your building.
- Immediately call your gas supplier from a neighbor's phone. Follow the gas supplier's instructions.
- If you cannot reach your gas supplier, call the fire department.




LIGHTING INSTRUCTIONS:

WARNING: The gas valve has an interlock device which will not allow the pilot burner to be lit until the thermocouple has cooled. Allow approximately 60 seconds for the thermocouple to cool.

When lighting and re-lighting, the gas knob cannot be turned from pilot to off unless the knob is depressed slightly.

1. Stop! Read the above safety information on this label.
2. Turn off all electric power to the appliance.
3. Turn the gas knob clockwise  to off.
4. Wait five (5) minutes to clear out any gas. If you smell gas including near the floor. Stop! Follow "B" in the above safety information on this label. If you don't smell gas go the next step.
5. Turn gas knob counter-clockwise  to pilot.
6. Depress slightly and hold gas knob while lighting the pilot with the push button igniter. Keep knob depressed for one minute, then release. If pilot does not continue to burn, repeat steps 3 through 5.
7. With pilot lit, depress and turn gas knob counter-clockwise  to on.
8. If equipped with remote on-off switch / thermostat, main burner may not come on when you turn valve to on. Remote switch must be in the on position to ignite burner.
9. Turn on all electric power to the appliance.

TO TURN OFF GAS

1. Turn off all electric power to the appliance if service is to be performed.
2. Push in gas control knob slightly and turn clockwise  to off. Do not force.

TURN THE CONTROL VALVE TO THE OFF POSITION WHEN HEATER IS NOT IN USE.

10.0 ADJUSTMENT

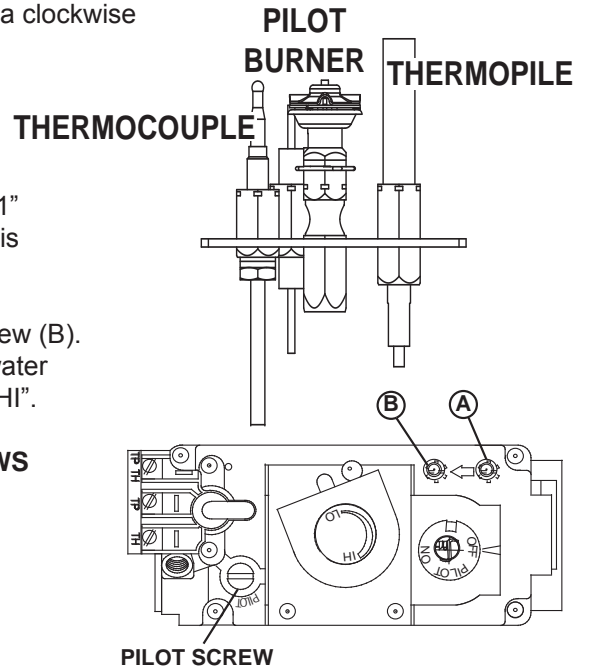
10.1 PILOT BURNER ADJUSTMENT

Adjust the pilot screw to provide properly sized flame. Turn in a clockwise direction to reduce the gas flow.

Inlet pressure can be checked by turning screw (A) counter-clockwise until loosened and then placing pressure gauge tubing over the test point. Gauge should read 7" (minimum 4.5") water column for natural gas or 13" (11" minimum) water column for propane. Check that main burner is operating on "HI".

Outlet pressure can be checked the same as above using screw (B). Gauge should read 3.5" water column for natural gas or 10" water column for propane. Check that main burner is operating on "HI".

AFTER TAKING PRESSURE READINGS, TIGHTEN SCREWS FIRMLY TO SEAL. DO NOT OVER TORQUE. LEAK TEST.



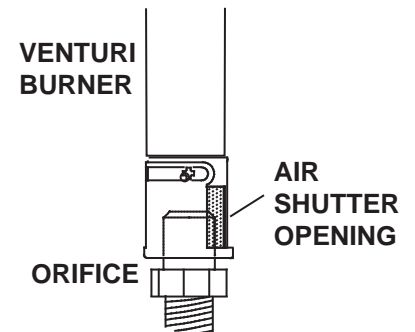
39.3

10.2 VENTURI ADJUSTMENT

This appliance has an air shutter that has been factory set open according to the chart below:

Regardless of venturi orientation, closing the air shutter will cause a more yellow flame, but can lead to carboning. Opening the air shutter will cause a more blue flame, but can cause flame lifting from the burner ports. The flame may not appear yellow immediately; allow 15 to 30 minutes for the final flame colour to be established.

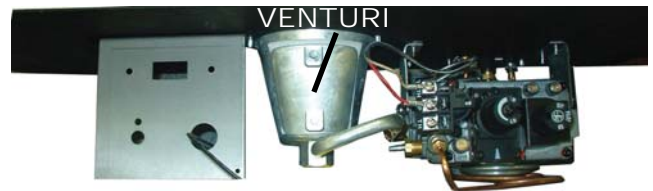
AIR SHUTTER ADJUSTMENT MUST ONLY BE DONE BY A QUALIFIED INSTALLER!



49.1

These settings are for rear vented (maximum) horizontal termination. Adjustment may be required depending on fuel type, vent configuration and altitude.

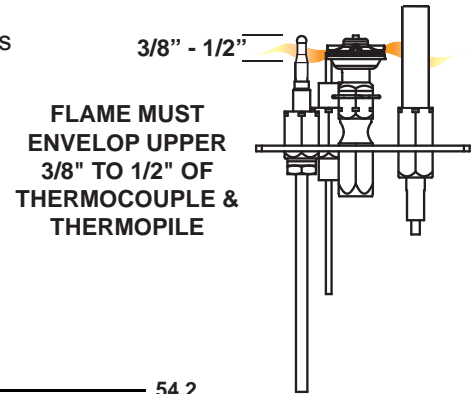
To access the air shutter, remove the two screws that secure the cover to the air housing, taking care not to damage the gasket.



	GD36	BGD36
NG	1/16"	1/16"
LP	1/4"	1/4"

10.3 FLAME CHARACTERISTICS

It's important to periodically perform a visual check of the pilot and burner flames. Compare them to the illustrations provided. If any flames appear abnormal call a service person.



54.2

11.0 MAINTENANCE

! WARNING

TURN OFF THE GAS AND ELECTRICAL POWER BEFORE SERVICING THE APPLIANCE.

APPLIANCE MAY BE HOT, DO NOT SERVICE UNTIL APPLIANCE HAS COOLED.

DO NOT USE ABRASIVE CLEANERS.

CAUTION: Label all wires prior to disconnection when servicing controls. Wiring errors can cause improper and dangerous operation. Verify proper operation after servicing. This appliance and its venting system should be inspected before use and at least annually by a qualified service person. The appliance area must be kept clear and free of combustible materials, gasoline or other flammable vapors and liquids. The flow of combustion and ventilation air must not be obstructed.

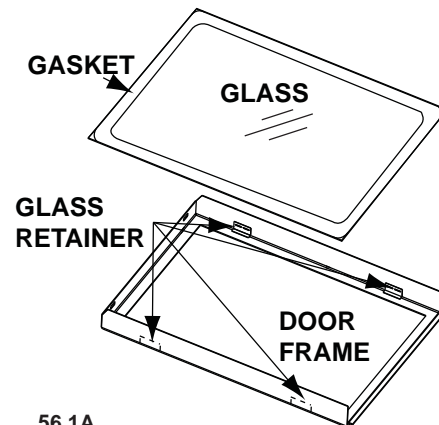
- A. In order to properly clean the burner and pilot assembly, remove the logs, rocks and/or glass to expose both assemblies.
- B. Keep the control compartment, media, burner, air shutter opening and the area surrounding the logs clean by vacuuming or brushing, at least once a year.
- C. Check to see that all burner ports are burning. Clean out any of the ports which may not be burning or are not burning properly.
- D. Check to see that the pilot flame is large enough to engulf the flame sensor and/or thermocouple / thermopile as well as reaches the burner.
- E. Replace the cleaned logs, rocks or glass. Failure to properly position the media may cause carboning which can be distributed in the surrounding living area.
- F. Check to see that the main burner ignites completely on all openings when turned on. A 5 to 10 second total light-up period is satisfactory. If ignition takes longer, consult your local authorized dealer / distributor.
- G. Check that the gasketing on the sides, top and bottom of the door is not broken or missing. Replace if necessary.
- H. If for any reason the vent air intake system is disassembled, re-install and re-seal per the instructions provided for the initial installation.

40.1

11.1 DOOR GLASS REPLACEMENT

! WARNING
DO NOT USE SUBSTITUTE MATERIALS.
GLASS MAY BE HOT, DO NOT TOUCH GLASS UNTIL COOLED.
CARE MUST BE TAKEN WHEN REMOVING AND DISPOSING OF ANY BROKEN DOOR GLASS OR DAMAGED COMPONENTS. BE SURE TO VACUUM UP ANY BROKEN GLASS FROM INSIDE THE APPLIANCE BEFORE OPERATION.
DO NOT STRIKE, SLAM OR SCRATCH GLASS. DO NOT OPERATE APPLIANCE WITH GLASS REMOVED, CRACKED, BROKEN OR SCRATCHED.

- A. Place the door frame face down careful not to scratch the paint.
- B. Center the gasketed glass inside the door frame with the thick side of the gasket facing up.
- C. Bend the glass retainers located along the edge of the door frame over the gasket holding the glass in place. Careful not to break the glass.



56.1A

11.2 CARE OF GLASS

DO NOT CLEAN GLASS WHEN HOT! DO NOT USE ABRASIVE CLEANERS TO CLEAN GLASS.

Buff lightly with a clean dry soft cloth. Clean both sides of the glass after the first 10 hours of operation with a recommended fireplace glass cleaner. Thereafter clean as required. If the glass is not kept clean permanent discoloration and / or blemishes may result.

! WARNING	
	<p>HOT GLASS WILL CAUSE BURNS.</p> <p>DO NOT TOUCH GLASS UNTIL COOLED.</p> <p>NEVER ALLOW CHILDREN TO TOUCH GLASS.</p>

5.1

12.0 REPLACEMENTS

! WARNING

FAILURE TO POSITION THE PARTS IN ACCORDANCE WITH THIS MANUAL OR FAILURE TO USE ONLY PARTS SPECIFICALLY APPROVED WITH THIS APPLIANCE MAY RESULT IN PROPERTY DAMAGE OR PERSONAL INJURY.

**** THIS IS A FAST ACTING THERMOCOUPLE. IT IS AN INTEGRAL SAFETY COMPONENT. REPLACE ONLY WITH A FAST ACTING THERMOCOUPLE SUPPLIED BY WOLF STEEL LTD.**

Contact your dealer or the factory for questions concerning prices and policies on replacement parts. Normally all parts can be ordered through your Authorized dealer / distributor.

FOR WARRANTY REPLACEMENT PARTS, A PHOTOCOPY OF THE ORIGINAL INVOICE WILL BE REQUIRED TO HONOUR THE CLAIM.

When ordering replacement parts always give the following information:

- Model & Serial Number of appliance
- Installation date of appliance
- Part number
- Description of part
- Finish

*** IDENTIFIES ITEMS WHICH ARE NOT ILLUSTRATED. FOR FURTHER INFORMATION, CONTACT YOUR AUTHORIZED DEALER.**

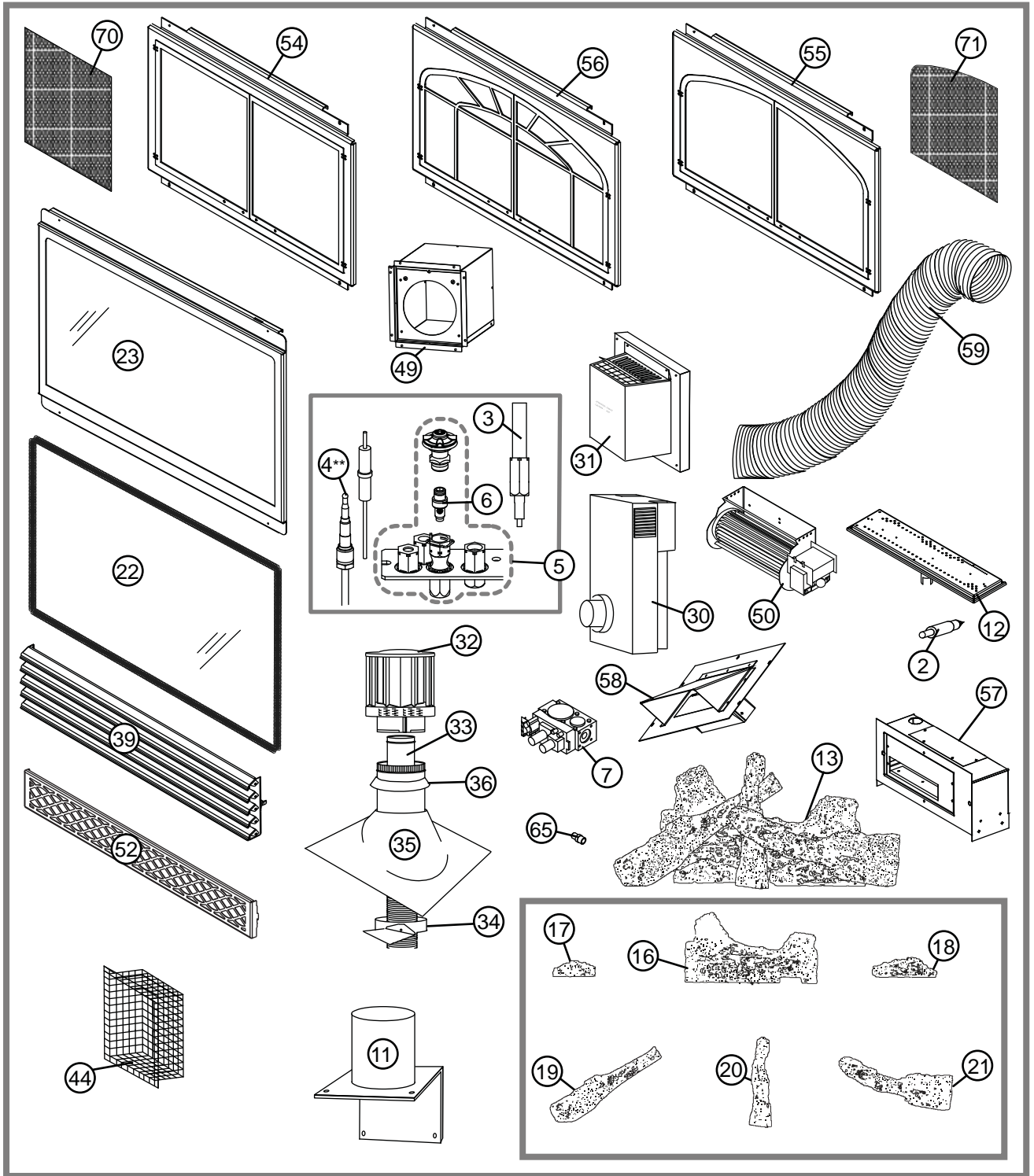
41.2

COMMON COMPONENTS

REF NO.	PART NO.	DESCRIPTION
1*	W225-0058	BLACK DOOR FRAME
2	W357-0001	PIEZO IGNITER
3	W680-0004	THERMOPILE
4	W680-0005	THERMOCOUPLE **
5	W010-0800	PROPANE GAS PILOT ASSEMBLY
5	W010-0801	NATURAL GAS PILOT ASSEMBLY
6	W455-0069	NATURAL GAS PILOT INJECTOR
6	W455-0068	PROPANE GAS PILOT INJECTOR
7	W725-0025	NATURAL GAS VALVE
7	W725-0026	PROPANE GAS VALVE
8*	W385-0430	CONTINENTAL LOGO
9*	W750-0112	20FT OF WIRE
10*	W010-0538	FLUE CAP C/W GASKET
11	W010-0539	FLUE PIPE ASSEMBLY C/W GASKET
12	W010-0764	PAN BURNER
13	GL-639	LOG SET
14*	W361-0016	GLOWING EMBERS
15*	W550-0001	CHARCOAL EMBERS
16	W135-0183	REAR LOG
17	W135-0184	LEFT MID LOG
18	W135-0185	RIGHT MID LOG
19	W135-0186	LEFT CROSSOVER LOG
20	W135-0187	CENTER CROSSOVER
21	W135-0188	RIGHT CROSSOVER LOG
22	W010-0454	GLASS C/W GASKET
23	W010-0516	BLACK DOOR C/W GLASS
24*	W010-1010	UPPER LOUVRE ASSEMBLY
25*	W010-1011	LOWER LOUVRE ASSEMBLY

COMMON FLEXIBLE VENT KITS		
REF NO.	PART NO.	DESCRIPTION
GD220 (5 FT)		
25*	W010-0397	4" FLEXIBLE VENT PIPE - (5 FT) C/W SPACERS
26*	W410-0017	7" FLEXIBLE VENT PIPE - (5 FT)
GD330 (10 FT)		
27*	W410-0018	7" FLEXIBLE VENT PIPE -(10 FT)
28*	W010-0300	4" FLEXIBLE VENT PIPE -(10 FT) C/W SPACERS
29*	W010-0370	WALL SUPPORT ASSEMBLY
COMMON TERMINAL KITS		
REF NO.	PART NO.	DESCRIPTION
30	GD-201	PERISCOPE
31	GD-222	WALL TERMINAL KIT
COMMON ROOF TERMINAL KITS		
REF NO.	PART NO.	DESCRIPTION
GD-110 - 1/12 TO 7/12 PITCH		
32	W670-0006	AIR TERMINAL
33	W490-0073	4/7 INNER/OUTER SLEEVE
34	W010-0567	ROOF SUPPORT
35	W263-0054	ROOF FLASHING
36	W170-0063	STORM COLLAR
GD-111 - 8/12 TO 12/12 PITCH		
32	W670-0006	AIR TERMINAL
33	W490-0073	4/7 INNER/OUTER SLEEVE
34	W010-0567	ROOF SUPPORT
35	W263-0055	ROOF FLASHING
36	W170-0063	STORM COLLAR
GD-112 - FLAT ROOF		
32	W670-0006	AIR TERMINAL
33	W490-0073	4/7 INNER/OUTER SLEEVE
34	W010-0567	ROOF SUPPORT
35	W263-0056	ROOF FLASHING
36	W170-0063	STORM COLLAR
COMMON ACCESSORIES		
REF NO.	PART NO.	DESCRIPTION
37*	W175-0001	4" COUPLER
38*	W175-0013	7" COUPLER
39*	CDV4L	LOUVER OVERLAY - POLISHED BRASS
39*	CDV4LSS	LOUVER OVERLAY - BRUSHED STAINLESS STEEL
40*	W690-0001	MILLIVOLT THERMOSTAT
41*	W660-0011	REMOTE CONTROL - ADVANTAGE PLUS
42*	W500-0096	FIRESTOP SPACER
43*	W500-0103	TERMINAL EXTENSION PLATE
44	GD-301	HEAT GUARD
45*	W10-0370	WALL SUPPORT ASSEMBLY
46*	W660-0013	MODULATING REMOTE
47*	W175-0053	DURA-VENT ZERO CLEARANCE ADAPTOR
48*	W361-0016	GLOWING EMBERS

COMMON ACCESSORIES			
REF NO.	PART NO.	DESCRIPTION	
49	VS47KT	VENT PIPE SHIELD	
50	GZ550-1KT	BLOWER KIT	
52	COIK	CONTINENTAL ORNAMENTAL INSET - BLACK	
52	COISS	CONTINENTAL ORNAMENTAL INSET - SATIN CHROME	
53*	DK36-N	DOOR KIT, NORTHERN -BLACK	
53*	DK36-NPW	DOOR KIT, NORTHERN - PEWTER	
54	DK36-R	DOOR KIT, RECTANGULAR - BLACK	
55	DK36-A	DOOR KIT, ARCHED - BLACK	
56	DK36-W	DOOR KIT, WEBBED - BLACK	
56	DK36-WG	DOOR KIT, WEBBED - GOLD PLATED	
57	GA-566	HOT AIR KIT	
58	GA-72	HOT AIR EXHAUST KIT	
59	GA-70	EXTENSION KIT 5FT	
60*	RP-KT	RESTRICTOR PLATE KIT	
61*	W573-0002	HIGH TEMPERATURE SEALANT	
62*	W573-0007	HIGH TEMPERATURE SEALANT	
63*	RAK36	ROCK ADAPTOR KIT	
64*	MKRM	MEDIA KIT, MULTI-COLOURED RIVER ROCKS	
64*	MKRY	MEDIA KIT, GREY RIVER ROCKS	
COMPONENTS			
REF NO.	CDV36	BCDV36	DESCRIPTION
65	W456-0042 #42	W456-0047 #47	NATURAL GAS ORIFICE
65	W456-0054 #54	W456-0056 #56	PROPANE GAS ORIFICE
66*	W361-0014	—————	VERMICULITE
67*	W010-1777	W010-1774	FIRESTOP SPACER
ACCESSORIES			
REF NO.	CDV36	BCDV36	DESCRIPTION
68*	W175-0158	W175-0159	CONVERSION KIT - NG TO LP
69*	W175-0163	W175-0164	CONVERSION KIT - LP TO NG
70	SK36-R	—————	SCREEN KIT (RECTANGULAR)
71	SK36-A	—————	SCREEN KIT (ARCHED)



13.0 TROUBLESHOOTING

! WARNING

ALWAYS LIGHT THE PILOT WHETHER FOR THE FIRST TIME OR IF THE GAS SUPPLY HAS RAN OUT, WITH THE GLASS DOOR OPEN OR REMOVED.

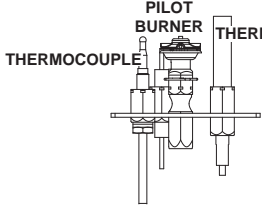
TURN OFF THE GAS AND ELECTRICAL POWER BEFORE SERVICING THE APPLIANCE.

APPLIANCE MAY BE HOT, DO NOT SERVICE UNTIL APPLIANCE HAS COOLED.

DO NOT USE ABRASIVE CLEANERS.

SYMPTOM	PROBLEM	TEST SOLUTION
Main burner goes out; pilot stays on.	Pilot flame is not large enough or not engulfing the thermopile.	- Turn up the pilot flame. - Replace pilot assembly.
	Thermopile shorting.	- Clean thermopile connection to the valve. Reconnect. - Replace thermopile / valve.
	Remote wall switch wire is too long; too much resistance in the system.	- Shorten wire to correct length or wire gauge.
	Faulty thermostat or switch.	- Replace.
Main burner goes out; pilot goes out.	Refer to "MAIN BURNER GOES OUT; PILOT STAYS ON"	
	Vent is blocked	- Check for vent blockage.
	Vent is re-circulating	- Check joint seals and installation
	Flexible vent has become disconnected from appliance.	- Re-attach to appliance. - Cap was not replaced.
Pilot goes out when the gas knob is released. The gas valve has an interlock device which will not allow the pilot burner to be lit until the thermocouple has cooled. Allow approximately 60 seconds for the thermocouple to cool.	System is not correctly purged	- Purge the gas line.
	Out of propane gas.	- Fill the tank.
	Pilot flame is not large enough.	- Turn up the pilot flame.
	Pilot flame is not engulfing the thermocouple	- Gently twist the pilot head to improve the flame pattern around the thermocouple.
	Thermocouple shorting / faulty.	- Loosen and tighten thermocouple. - Clean thermocouple and valve connection. - Replace thermocouple. - Replace valve.
Pilot burning; no gas to main burner; gas knob is on 'HI'; wall switch / thermostat is on.	Faulty valve.	- Replace.
	Thermostat or switch is defective	- Connect a jumper wire across the wall switch terminals; if main burner lights, replace switch / thermostat.
	Wall switch wiring is defective.	- Disconnect the switch wires & connect a jumper wire across terminals 1 & 3; if the main burner lights, check the wires for defects and/or replace wires.
	Main burner orifice is plugged.	- Remove stoppage in orifice.
Pilot goes out while standing; Main burner is in 'OFF' position.	Gas piping is undersized.	- Remove stoppage in orifice.
		- Replace.
Pilot goes out while standing; Main burner is in 'OFF' position.	Gas piping is undersized.	- Turn on all gas appliances and see if pilot flame flutters, diminishes or extinguishes, especially when main burner ignites. Monitor appliance supply working pressure.
		- Check if supply piping size is to code. Correct all undersized piping.
Main burner flame is a blue, lazy, transparent flame.	Blockage in vent.	- Remove stoppage in orifice.
		- Replace.

42.3B

SYMPTOM	PROBLEM	TEST SOLUTION
Pilot will not light. 	No spark at pilot burner.	<ul style="list-style-type: none"> - Check if pilot can be lit by a match. - Check that the wire is connected to the push button igniter. - Check if the push button igniter needs tightening. - Replace the wire if the wire insulation is broken or frayed. - Replace the electrode if the ceramic insulator is cracked or broken. - Replace the push button ignitor
	Out of propane gas.	<ul style="list-style-type: none"> - Fill the tank.
	Spark gap is incorrect.	<ul style="list-style-type: none"> - Spark gap should be 0.150" to 0.175" (5/32" to 11/64" approx.) from the electrode tip and the pilot burner. To ensure proper electrode location, tighten securing nut (finger tight plus 1/4 turn).
	No gas at the pilot burner.	<ul style="list-style-type: none"> - Check that the manual valve is turned on. - Check the pilot orifice for blockage. - Replace the valve. - Call the gas distributor.
Flames are consistently too large or too small. Carboning occurs.	Unit is over-fired or underfired.	<ul style="list-style-type: none"> - Check pressure readings: - Inlet pressure can be checked by turning screw (A) counter-clockwise 2 or 3 turns and then placing pressure gauge tubing over the test point. Gauge should read 7" (minimum 4.5") water column for natural gas or 13" (minimum 11") water column for propane. Check with main burner is operating on 'HI'. - Outlet pressure can be checked the same as above using screw (B). Gauge should read 3.5" water column for natural gas or 10" water column for propane. Check that main burner is operating on 'HI'. - AFTER TAKING PRESSURE READINGS, BE SURE TO TURN SCREWS CLOCKWISE FIRMLY TO RESEAL. DO NOT OVER TORQUE. - Leak test with a soap and water solution.
	Flames are very aggressive. Door is ajar. Venting action is too great.	Door is ajar.
Venting action is too great.		<ul style="list-style-type: none"> - Check to ensure venting is properly sealed. - If a restrictor plate is not included with the unit, restrict vent exit with the restrictor plate kit listed in the "ACCESSORIES" section.
Carbon is being deposited on glass, logs or combustion chamber surfaces.	Air shutter has become blocked.	<ul style="list-style-type: none"> - Ensure air shutter opening is free of lint or other obstructions.
	Flame is impinging on the logs or combustion chamber.	<ul style="list-style-type: none"> - Check that the logs are correctly positioned. - Open air shutter to increase the primary air. - Check the input rate: check the manifold pressure and orifice size as specified by the rating plate values. - Check that the door gasketing is not broken or missing and that the seal is tight. - Check that both vent liners are free of holes and well sealed at all joints. - Check that minimum rise per foot has been adhered to for any horizontal venting.

42.3_2C

SYMPTOM	PROBLEM	TEST SOLUTION
White / grey film forms.	Sulphur from fuel is being deposited on glass, logs or combustion chamber surfaces.	<ul style="list-style-type: none"> - Clean the glass with a recommended gas appliance glass cleaner. - DO NOT CLEAN GLASS WHEN HOT. - If deposits are not cleaned off regularly, the glass may become permanently marked.
Exhaust fumes smelled in room, headaches.	Appliance is spilling.	<ul style="list-style-type: none"> - Ensure exhaust bracket gasket seal. - Check door seal and relief flap seal. - Check for chimney blockage. - Check that chimney is installed to building code. - Room is in negative pressure; increase fresh air supply. - Check cap gasket on the flue pipe assembly.
Remote wall switch is in 'OFF' position; main burner comes on when gas knob is turned to 'ON' position.	Wall switch is mounted upside down.	<ul style="list-style-type: none"> - Reverse.
	Remote wall switch is grounding.	<ul style="list-style-type: none"> - Replace.
	Remote wall switch wire is grounding.	<ul style="list-style-type: none"> - Check for ground (short); repair ground or replace wire.
	Faulty valve.	<ul style="list-style-type: none"> - Replace.

42.3_3

14.0 WARRANTY

CONTINENTAL® products are manufactured under the strict Standard of the world recognized ISO 9001 : 2008 Quality Assurance Certificate.

CONTINENTAL® products are designed with superior components and materials assembled by trained craftsmen who take great pride in their work. The burner and valve assembly are leak and test-fired at a quality test station. The complete appliance is again thoroughly inspected by a qualified technician before packaging to ensure that you, the customer, receives the quality product that you expect from CONTINENTAL®.

CONTINENTAL® GAS APPLIANCE PRESIDENT'S LIFETIME LIMITED WARRANTY

The following materials and workmanship in your new CONTINENTAL® gas appliance are warranted against defects for as long as you own the appliance. This covers: combustion chamber, heat exchanger, stainless steel burner, phazer™ logs and embers, rocks, ceramic glass (thermal breakage only), gold plated parts against tarnishing, porcelainized enameled components and aluminum extrusion trims.*

Electrical (110V and millivolt) components and wearable parts such as blowers, gas valves, thermal switch, switches, wiring, remote controls, ignitor, gasketing, and pilot assembly are covered and CONTINENTAL® will provide replacement parts free of charge during the first year of the limited warranty.*

Any labour related to warranty repair is not covered.

* Construction of models vary. Warranty applies only to components included with your specific appliance.

CONDITIONS AND LIMITATIONS

CONTINENTAL® warrants its products against manufacturing defects to the original purchaser only. Registering your warranty is not necessary. Simply provide your proof of purchase along with the model and serial number to make a warranty claim. CONTINENTAL® reserves the right to have its representative inspect any product or part thereof prior to honouring any warranty claim. Provided that the purchase was made through an authorized CONTINENTAL® dealer your appliance is subject to the following conditions and limitations:

Warranty coverage begins on the date of original installation.

This factory warranty is non-transferable and may not be extended whatsoever by any of our representatives.

The gas appliance must be installed by a licensed, authorized service technician or contractor. Installation must be done in accordance with the installation instructions included with the product and all local and national building and fire codes. This limited warranty does not cover damages caused by misuse, lack of maintenance, accident, alterations, abuse or neglect and parts installed from other manufacturers will nullify this warranty. This limited warranty further does not cover any scratches, dents, corrosion or discoloring caused by excessive heat, abrasive and chemical cleaners nor chipping on porcelain enamel parts, mechanical breakage of PHAZER™ logs and embers.

CONTINENTAL® warrants its stainless steel burners against defects in workmanship and material for life, subject to the following conditions: During the first 10 years CONTINENTAL® will replace or repair the defective parts at our option free of charge. From 10 years to life, CONTINENTAL® will provide replacement burners at 50% of the current retail price.

In the first year only, this warranty extends to the repair or replacement of warranted parts which are defective in material or workmanship provided that the product has been operated in accordance with the operation instructions and under normal conditions.

After the first year, with respect to this President's Lifetime Limited Warranty, CONTINENTAL® may, at its discretion, fully discharge all obligations with respect to this warranty by refunding to the original warranted purchaser the wholesale price of any warranted but defective part(s).

CONTINENTAL® will not be responsible for installation, labour or any other expenses related to the reinstallation of a warranted part and such expenses are not covered by this warranty.

Notwithstanding any provisions contained in the President's Lifetime Limited Warranty, CONTINENTAL'S responsibility under this warranty is defined as above and it shall not in any event extend to any incidental, consequential or indirect damages.

This warranty defines the obligations and liability of CONTINENTAL® with respect to the CONTINENTAL® gas appliance and any other warranties expressed or implied with respect to this product, its components or accessories are excluded.

CONTINENTAL® neither assumes, nor authorizes any third party to assume, on its behalf, any other liabilities with respect to the sale of this product. CONTINENTAL® will not be responsible for: over-firing, downdrafts, spillage caused by environmental conditions such as rooftops, buildings, nearby trees, hills, mountains, inadequate vents or ventilation, excessive venting configurations, insufficient makeup air, or negative air pressures which may or may not be caused by mechanical systems such as exhaust fans, furnaces, clothes dryers, etc.

Any damages to appliance, combustion chamber, heat exchanger, brass trim or other components due to water, weather damage, long periods of dampness, condensation, damaging chemicals or cleaners will not be the responsibility of CONTINENTAL®.

All parts replaced under the President's Limited Lifetime Warranty Policy are subject to a single claim.

During the first 10 years CONTINENTAL® will replace or repair the defective parts covered by the lifetime warranty at our discretion free of charge. From 10 years to life, CONTINENTAL® will provide replacement parts at 50% of the current retail price.

All parts replaced under the warranty will be covered for a period of 90 days from the date of their installation.

The manufacturer may require that defective parts or products be returned or that digital pictures be provided to support the claim. Returned products are to be shipped prepaid to the manufacturer for investigation. If a product is found to be defective, the manufacturer will repair or replace such defect.

Before shipping your appliance or defective components, your dealer must obtain an authorization number. Any merchandise shipped without authorization will be refused and returned to sender.

Shipping costs are not covered under this warranty.

Additional service fees may apply if you are seeking warranty service from a dealer.

Labour, travel, diagnostic tests, shipping and other related charges are not covered by this warranty.

ALL SPECIFICATIONS AND DESIGNS ARE SUBJECT TO CHANGE WITHOUT PRIOR NOTICE DUT TO ON-GOING PRODUCT IMPROVEMENTS.
CONTINENTAL® IS A REGISTERED TRADEMARK OF WOLF STEEL LTD.



Patio Heaters



Fireplace Mantels



Waterfalls



ULTRA CHEF® Grills



Electric Fireplaces



Outdoor Living Products

Des créations innovatrices adaptées à vos besoins

Foyers électriques



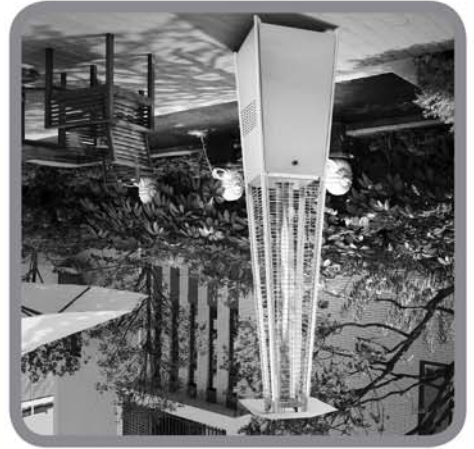
Produits de divertissement extérieur



Grills ULTRA CHEF®



Chauffe-patios



Manteaux de foyer



Cascades d'eau



Autres produits offerts

Les produits CONTINENTAL® sont fabriqués conformément aux normes strictes du Certificat d'Assurance de la Qualité

mondialement reconnu ISO 9001 : 2008.

Les produits CONTINENTAL® sont conçus avec des composants et des matériaux de qualité supérieure, assemblés par des artisans qualifiés qui sont fiers de leur travail. Le brûleur et le montage de la soupape subissent un test de détection de fuite et d'allumage à une station de test de qualité. Une fois assemblé, chaque foyer est soigneusement inspecté par un technicien qualifié avant d'être emballé pour garantir que vous, le client, recevez le produit de qualité dont vous vous attendez de CONTINENTAL®.

GARANTIE À VIE LIMITEE DU PRESIDENT DES APPAREILS AU GAZ CONTINENTAL®

Les matériaux suivants et la fabrication de votre nouveau foyer au gaz CONTINENTAL® sont garantis contre les défauts tant que vous en êtes le propriétaire. Ceci couvre : la chambre de combustion, l'échangeur de chaleur, le brûleur en acier inoxydable, les bûches Phazer® et les braises, les roches, la vitre en céramique (cassure thermique seulement), les pièces plaquées or contre le ternissement, les composants en porcelaine émaillée et les mouleurs d'extrusion en aluminium.* Les composants électriques (110 V et millivolt) et les pièces soumises à l'usure tels que les soufflées, les soupapes de gaz, l'interrupteur thermique, les interrupteurs, l'installation électrique, les télécommandes, l'allumeur, les joints d'étanchéité et l'assemblage de la veilleuse sont couverts et CONTINENTAL® fournira gratuitement les pièces de rechange durant la première année de la garantie limitée.* Les coûts de main-d'œuvre relatifs aux réparations garanties ne sont pas couverts. * La fabrication de chaque modèle varie. La garantie s'applique uniquement aux composants disponibles avec votre appareil.

CONDITIONS ET LIMITATIONS

CONTINENTAL® garantit ses produits contre les défauts de fabrication à l'acheteur d'origine seulement. L'engagement de la garantie n'est pas nécessaire. Fournissez simplement une preuve d'achat ainsi que le modèle et le numéro de série afin d'effectuer une réclamation de garantie. CONTINENTAL® se réserve le droit de demander à son représentant d'inspecter tous produits ou pièces avant d'honorer toute réclamation. L'achat doit avoir été fait par l'entremise d'un détaillant CONTINENTAL® autorisé et sous réserve des conditions et limitations suivantes :

La couverture de la garantie débute à partir de la date d'installation originale. Cette garantie n'est pas transférable et ne peut être prolongée ou étendue par aucun de nos représentants quelle qu'en soit la raison. L'appareil au gaz doit être installé par un installateur ou entrepreneur qualifié. L'installation doit être faite conformément aux instructions d'installation incluses avec le produit et à tous les codes d'incendie et de construction locaux et nationaux. Cette garantie limitée ne couvre pas les dommages causés par un mauvais usage, un manque d'entretien, un accident, des altérations, des abus ou de la négligence et l'installation de pièces d'autres fabricants annulera cette garantie. Cette garantie limitée au couver pas non plus les égratignures, les bossellements, la corrosion ou la décoloration causés par une chaleur excessive, des produits d'entretien chimiques et abrasifs ou l'écaillage des pièces en porcelaine émaillée, le gris par manipulation des bûches Phazer® et des braises. CONTINENTAL® garantit à vie ses brûleurs en acier inoxydable contre les défauts de fabrication et de matériau sous réserve des conditions suivantes : durant les dix premières années, CONTINENTAL® remplacera ou réparera selon notre option les pièces défectueuses gratuitement. Après les dix premières années, CONTINENTAL® fournira les brûleurs de rechange à 50 % du prix de détail courant. Au cours de la première année seulement, cette garantie s'applique à la réparation ou au remplacement des pièces garanties dont les matériaux ou la fabrication sont défectueux à la condition que le produit ait été utilisé conformément aux instructions de fonctionnement et dans des conditions normales. Après la première année, concernant cette Garantie à Vie Limitée du Président, CONTINENTAL® peut, à sa discrétion, se libérer entièrement de toutes obligations si ce ne que l'achat de cette garantie en remboursant à l'acheteur d'origine le prix de gros de toute pièce garantie qui est défectueuse. CONTINENTAL® ne sera pas responsable de l'installation, de la main-d'œuvre ou autres dépenses relatives à la réinstallation d'une pièce garantie et de telles dépenses ne sont pas couvertes par cette garantie. Nonobstant toutes les dispositions contenues dans cette Garantie à Vie Limitée du Président, la responsabilité de CONTINENTAL® sous cette garantie est définie comme ci-dessus et elle ne s'appliquera à aucun dommage accidentel, consécutif ou indirect. Cette garantie définit l'obligation et la responsabilité de CONTINENTAL® en ce qui concerne le foyer au gaz CONTINENTAL®. Toute autre garantie énoncée ou implicite en ce qui concerne ce produit, ses composants ou accessoires est exclue. CONTINENTAL® n'autorise aucun tiers à assumer en son nom, toute autre responsabilité concernant la vente de ce produit. CONTINENTAL® ne sera pas responsable d'une surchauffe, des refoulements, des déversements causés par des conditions environnementales telles que des toits, des bâtiments, la proximité d'arbres, de collines, de montagnes, une ventilation ou des événements inadéquats, une configuration d'évacuation excessive, un apport d'air insuffisant ou des pressions négatives qui peuvent ou non être causés par des systèmes mécaniques tels que les ventilateurs d'évacuation, les fournaises, les sècheuses de linge, etc. Tous dommages causés à l'appareil, à la chambre de combustion, à l'échangeur de chaleur, aux garnitures de laiton ou autres composants par l'eau, les dommages causés par les intempéries, de longues périodes d'humidité, la condensation, des produits chimiques ou produits d'entretien nuisibles ne seront pas la responsabilité de CONTINENTAL®. Toutes les pièces remplacées en vertu de la politique de Garantie à Vie Limitée du Président ne peuvent faire l'objet que d'une seule réclamation. Durant les dix premières années, CONTINENTAL® remplacera ou réparera les pièces défectueuses qui sont couvertes par la garantie à sa discrétion. Après les dix premières années, CONTINENTAL® fournira les pièces de rechange à 50 % du prix de détail courant. Le fabricant peut exiger que les pièces défectueuses ou les produits soient retournés ou que des photos numériques soient fournies pour valider la réclamation. Les produits retournés doivent être expédiés port payé au fabricant pour une inspection en usine. Si un produit est déclaré défectueux, le fabricant le réparera ou le remplacera. Avant d'expédier votre appareil ou les pièces défectueuses, votre détaillant doit obtenir un numéro d'autorisation. Toute marchandise expédiée à notre usine sans autorisation sera refusée et retournée à l'expéditeur. Les coûts d'expédition ne sont pas couverts par cette garantie. Des frais de service supplémentaires peuvent être appliqués si vous cherchez à obtenir des services au titre de la garantie auprès d'un détaillant. Les frais de déplacement pour main-d'œuvre, de tests de diagnostic, d'expédition et autres frais afférents ne sont pas couverts par cette garantie.

TOUTES LES SPÉCIFICATIONS ET LES CONCEPTIONS SONT SUJETTES À MODIFICATIONS SANS PRÉAVIS EN RAISON DES AMÉLIORATIONS CONSTANTES APPORTÉES AUX PRODUITS. CONTINENTAL® EST UNE MARQUE DE COMMERCE DÉPOSÉE DE WOLFF STEEL LTÉE.

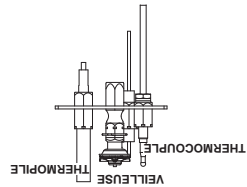
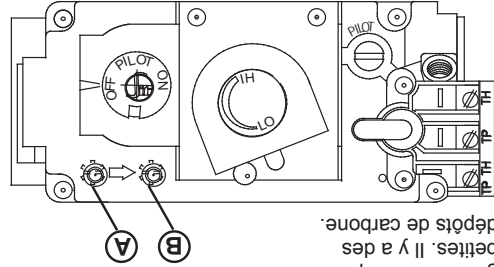
Une pellicule blanche ou grise se dépose sur la vitre, les bûches ou les parois de la chambre de combustion.	Le souffre du combustible se dépose sur la vitre, les bûches ou les parois de la chambre de combustion.	Nettoyez la vitre avec un nettoyeur recommandé. NE PAS NETTOYER LORSQU'ELLE EST CHAUDE. Si vous ne nettoyez pas les dépôts régulièrement, la vitre risque de rester marquée en permanence.
On détecte l'odeur des gaz de combustion dans la pièce; maux de tête.	L'appareil refoule les gaz de combustion dans la pièce.	Assurez-vous de l'étanchéité de la buse d'évacuation amovible. Vérifiez tous les joints scellés et la plaque d'expansion. Vérifiez si la cheminée ne serait pas bloquée. Vérifiez si la cheminée est installée selon les codes du bâtiment. La pièce est sous pression négative; augmentez l'apport d'air frais. Vérifiez le joint d'étanchéité du couvercle d'évacuation.
L'interrupteur mural est à « OFF » ; le brûleur principal s'allume lorsque le bouton du gaz est tourné à « ON ».	L'interrupteur mural est raccordé à l'envers.	Raccordez à l'endroit.
L'interrupteur mural cause un court-circuit.	L'interrupteur mural cause un court-circuit.	Remplacez.
Le fil de l'interrupteur mural cause un court-circuit.	Le fil de l'interrupteur mural cause un court-circuit.	Vérifiez si le fil est bien mis à la terre; réparez ou remplacez le fil.
Soupape défectueuse.	Soupape défectueuse.	Remplacez.

SOLUTIONS

PROBLÈME

SYMPTÔME

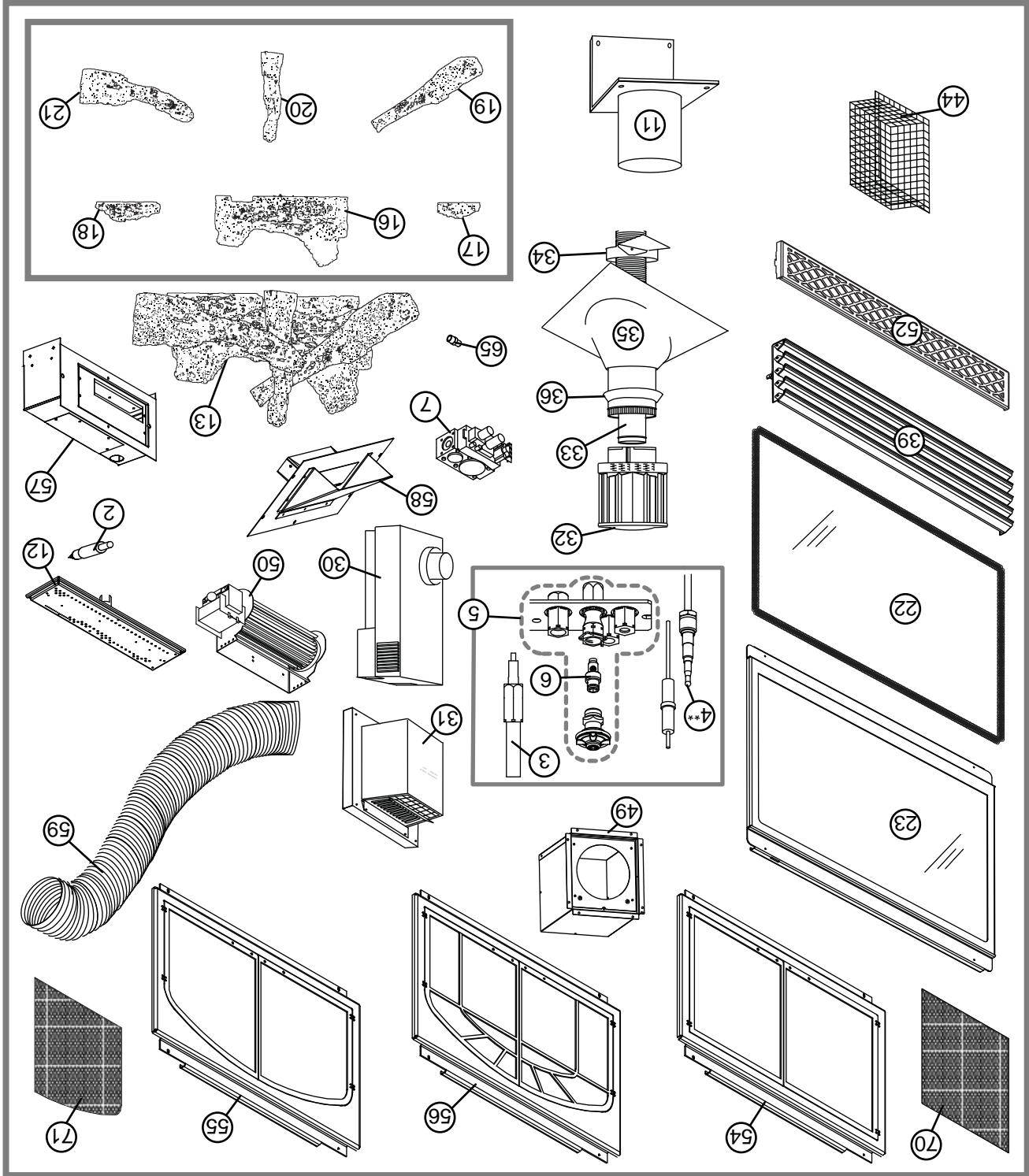
La vitre est bloquée.	Le volet d'air est bloqué.	Assurez-vous que l'ouverture du volet d'air n'est pas bloquée par des fibres ou autres obstructions.
Les bûches ou les parois de la chambre de combustion.	La flamme effleure les bûches ou les parois de la chambre de combustion.	Vérifiez si les bûches sont positionnées correctement. Augmentez l'ouverture du volet d'air pour augmenter le volume d'air primaire. Vérifiez le débit d'alimentation : vérifiez que la pression du collecteur et la grandeur de l'injecteur sont telles que spécifiées sur la plaque d'homologation. Vérifiez si les joints de la porte ne sont pas brisés ou manquants et qu'ils sont étanches. Vérifiez si les deux conduits d'évent ne sont pas troués et qu'ils sont bien scellés à tous les joints. Vérifiez si l'élévation minimale par pied est conforme pour toute évacuation horizontale.
Les flammes sont régulièrement trop grandes ou trop petites. Il y a des dépôts de carbone.	La pression du gaz est trop faible ou trop forte.	Vérifiez la pression : Pour vérifier la pression d'arrivée, tournez deux ou trois fois la vis (A) vers la gauche, puis embôitez le tube de manomètre sur la pointe d'essai. Le manomètre doit indiquer 7" (minimum 4,5") de colonne d'eau pour le gaz naturel ou 13" (minimum 11") de colonne d'eau pour le propane. Assurez-vous que le brûleur principal fonctionne à « HI ». Après avoir pris la lecture des pressions, assurez-vous de tourner fermement la vis vers la droite POUR SCELLER. NE SERRER PAS TROP FORT. Vérifiez pour des fuites en appliquant une solution d'eau savonneuse. Serrez les vis qui retiennent la porte en place.
Les flammes sont très actives.	La porte est entrouverte.	Assurez-vous que l'évacuation est adéquatement scellée. Si aucune plaque de restriction n'est fournie avec l'appareil, étrianglez la sortie de l'évacuation avec la plaque de restriction listée à la section « ACCESSOIRES ».
Pas de gaz au brûleur de la veilleuse.	Pas de gaz au brûleur de la veilleuse.	Vérifiez si la soupape manuelle est ouverte. Remplacez la soupape. Contactez le fournisseur de gaz.
Aucune étincelle au brûleur de la veilleuse. S'allume pas.	Aucune étincelle au brûleur de la veilleuse.	Vérifiez si la veilleuse peut être allumée avec une allumette. Vérifiez si le fil est raccordé au bouton-poussoir d'ignition. Vérifiez si le bouton-poussoir d'ignition doit être resserré. Remplacez le fil si son isolant est brisé ou effiloché. Remplacez l'électrode si l'isolateur de céramique est craqué ou brisé. Remplacez le bouton-poussoir d'ignition.
Plus de propane.	Plus de propane.	Remplissez le réservoir.
La longueur de l'étincelle est incorrecte.	La longueur de l'étincelle est incorrecte.	La longueur de l'étincelle devrait être de 0,150" à 0,175" (5/32" à 11/64" approx.) entre la pointe de l'électrode et le brûleur de la veilleuse. Pour que l'électrode soit bien placée, serrez l'écrou avec les doigts et tournez 1/4 de tour de plus.
Pas de gaz au brûleur de la veilleuse.	Pas de gaz au brûleur de la veilleuse.	Vérifiez si l'injecteur de la veilleuse est bloqué. Remplacez la soupape.
Les flammes sont régulièrement trop grandes ou trop petites. Il y a des dépôts de carbone.	La pression du gaz est trop faible ou trop forte.	Vérifiez la pression : Pour vérifier la pression d'arrivée, tournez deux ou trois fois la vis (A) vers la gauche, puis embôitez le tube de manomètre sur la pointe d'essai. Le manomètre doit indiquer 7" (minimum 4,5") de colonne d'eau pour le gaz naturel ou 13" (minimum 11") de colonne d'eau pour le propane. Assurez-vous que le brûleur principal fonctionne à « HI ». Après avoir pris la lecture des pressions, assurez-vous de tourner fermement la vis vers la droite POUR SCELLER. NE SERRER PAS TROP FORT. Vérifiez pour des fuites en appliquant une solution d'eau savonneuse. Serrez les vis qui retiennent la porte en place.



AVERTISSEMENT

ALLUMEZ TOUJOURS LA VEILLEUSE, QUE CE SOIT POUR LA PREMIÈRE FOIS OU LORSQU'ELLE A ÉTÉ RÉPARÉE. L'APPROVISIONNEMENT EN GAZ EST ÉPUISÉ, AVEC LA PORTE VITRÉE OUVERTE OU RETIRÉE. COUPEZ L'ALIMENTATION EN GAZ ET L'ALIMENTATION ÉLECTRIQUE AVANT DE PROCÉDER À L'ENTRETIEN DE L'APPAREIL. L'APPAREIL PEUT ÊTRE CHAUD, N'EFFECTUEZ AUCUN ENTRETIEN JUSQU'À CE QUE L'APPAREIL SOIT REFFROIDI. N'UTILISEZ PAS DE NETTOYANTS ABRASIFS.

SYMPTÔME	PROBLÈME	SOLUTIONS
Le brûleur principal s'éteint, la veilleuse reste allumée.	La flamme de la veilleuse n'est pas assez puissante ou n'enveloppe pas la thermopile.	Augmentez la flamme de la veilleuse. Remplacez l'assemblage de la veilleuse.
Le brûleur principal s'éteint.	L'évacuation est bloquée.	Enlevez ce qui obstrue l'évacuation recircule.
La veilleuse s'éteint quand le bouton du gaz est relâché. La soupape de gaz a un dispositif d'enclenchement qui ne permet à la veilleuse de s'allumer que lorsque le thermocouple est refroidi. Attendez au moins 60 secondes pour permettre au thermocouple de se refroidir.	Le système n'est pas purgé correctement.	Purgez la conduite de gaz.
La flamme de la veilleuse n'est pas assez puissante.	Plus de propane.	Remplissez le réservoir.
La flamme de la veilleuse n'est pas assez puissante.	La flamme de la veilleuse n'est pas assez puissante.	Augmentez la flamme de la veilleuse.
La flamme de la veilleuse n'enveloppe pas le thermocouple.	Le thermocouple cause un court-circuit.	Nettoyez la connexion de la thermopile à la borne de la soupape et reconnectez.
Le thermocouple cause un court-circuit.	Le fil de l'interrupteur mural est trop long; trop de résistance dans le système.	Raccourcissez la longueur du fil ou changez le calibre du fil.
Le thermostat ou l'interrupteur est défectueux.	Le thermostat ou l'interrupteur est défectueux.	Remplacez.
Le brûleur principal s'éteint à « ON ».	L'injecteur du brûleur principal est bloqué.	Débloquez l'injecteur.
Le raccordement de l'interrupteur principal; le bouton du gaz est à « HI »; l'interrupteur mural/thermostat est à « OFF ».	Le thermostat ou l'interrupteur sont défectueux.	Reliez un fil de dérivation entre les bornes de l'interrupteur mural; si le brûleur principal s'allume, remplacez l'interrupteur/thermostat.
La veilleuse s'éteint alors qu'elle est en attente; le brûleur principal est à « OFF ».	La conduite de gaz est trop petite.	Allumez tous les appareils au gaz et vérifiez si la flamme de la veilleuse vacille, diminue ou s'éteint, surtout quand le brûleur principal s'allume. Vérifiez la pression d'alimentation.
La flamme du brûleur principal est bleue, paresseuse et transparente.	Système d'évacuation bloqué.	Enlevez ce qui obstrue l'évacuation. Dans des conditions de froid extrême, une accumulation de glace peut se former sur la terminaison et devrait être enlevée lorsque nécessaire. Pour minimiser les chances que cela survienne de nouveau, il est recommandé que les événements passent à travers des espaces non chauffés (greniers, garages, espaces réduits) soient recouverts d'un manchon isolant en mylar. Assurez-vous que le manchon ne puisse pas s'affaisser. Pour plus de renseignements, contactez votre détaillant local autorisé.



ACCESSOIRES COMMUNS			
N° RÉF.	N° DE PIÈCE	DESCRIPTION	
49	V547KT	PROTECTEUR DE CONDUIT D'ÉVACUATION	
50	GZ550-1KT	SOUFFLERIE	
52	HOIK-3	PANNEAUX ORNEMENTAUX HÉRITAGE - NOIRS	
52	HOIG-3	PANNEAUX ORNEMENTAUX HÉRITAGE - PLAQUÉS OR	
53*	DK36-N	PORTES DÉCORATIVES NORDIQUES - NOIRES	
53*	DK36-NPW	PORTES DÉCORATIVES NORDIQUES - ÉTAIN	
54	DK36-R	PORTE DÉCORATIVE RECTANGULAIRE - NOIRE	
55	DK36-A	PORTE DÉCORATIVE ARQUÉE - NOIRE	
56	DK36-W	PORTE DÉCORATIVE PALMÉE - NOIRE	
56	DK36-WG	PORTE DÉCORATIVE PALMÉE - PLAQUÉE OR	
57	GA-566	ENSEMBLE DE DISTRIBUTION D'AIR CHAUD	
58	GA-72	ENSEMBLE D'ÉVACUATION D'AIR CHAUD	
59	GA-70	ENSEMBLE DE RALLONGE - 5 PI	
60*	RP-KT	PLAQUE DE RESTRICTION	
61*	W573-0002	SCELLANT À HAUTE TEMPÉRATURE	
62*	W573-0007	SCELLANT À HAUTE TEMPÉRATURE	
63*	RAK36	ENSEMBLE ADAPTEUR DE ROCHES DE RIVIÈRE	
64*	MKRM	ENSEMBLE ALTERNATIF, ROCHES DE RIVIÈRE - MULTICOLORE	
64*	MKRY	ENSEMBLE ALTERNATIF, ROCHES DE RIVIÈRE - GRIS	
COMPOSANTS			
N° RÉF.	CDV36	BCDV36	DESCRIPTION
65	W456-0042 #42	W456-0047 #47	INJECTEUR DE BRÛLEUR - GN
65	W456-0054 #54	W456-0056 #56	INJECTEUR DE BRÛLEUR - PL
66*	W361-0014	—	VERMICULITE
67*	W010-1777	W010-1774	ESPACEUR COUPE-FEU
ACCESSOIRES			
N° RÉF.	CDV36	BCDV36	DESCRIPTION
68*	W175-0158	W175-0159	ENSEMBLE DE CONVERSION - GN À PL
69*	W175-0163	W175-0164	ENSEMBLE DE CONVERSION - PL À GN
70	SK36-R	—	PARE-ÉTINCELLES (RECTANGULAIRE)
71	SK36-A	—	PARE-ÉTINCELLES (ARQUÉ)

ENSEMBLES D'ÉVENTS FLEXIBLES COMMUNS		
N° RÉF.	N° DE PIÈCE	DESCRIPTION
25*	W010-0397	GAINÉ FLEXIBLE DE 4"(6 P1) AVEC ESPACEURS
GD220(6 P1)		
26*	W410-0017	GAINÉ FLEXIBLE DE 7"(5 P1)
GD330 (10 P1)		
27*	W410-0018	GAINÉ FLEXIBLE DE 7"(10 P1)
28*	W010-0300	GAINÉ FLEXIBLE DE 4"(10 P1) AVEC ESPACEURS
29*	W010-0370	ENSEMBLE DE SUPPORT MURAL
ENSEMBLES DE TERMINAISON COMMUNS		
N° RÉF.	N° DE PIÈCE	DESCRIPTION
30	GD201	PÉRISCOPIQUE
31	GD222	ENSEMBLE DE TERMINAISON MURALE
ENSEMBLES DE TERMINAISON COMMUNS POUR TOIT		
N° RÉF.	N° DE PIÈCE	DESCRIPTION
GD110 - PENTE DE 1/12 À 7/12		
32	W670-0006	TERMINAISON
33	W490-0073	MANCHON INTÉRIEUR/EXTÉRIEUR 4/7
34	W010-0567	SUPPORT DE TOIT
35	W263-0054	SOLIN DE TOIT
36	W170-0063	COLLET DE SOLIN
GD111 - PENTE DE 8/12 À 12/12		
32	W670-0006	TERMINAISON
33	W490-0073	MANCHON INTÉRIEUR/EXTÉRIEUR 4/7
34	W010-0567	SUPPORT DE TOIT
35	W263-0055	SOLIN DE TOIT
36	W170-0063	COLLET DE SOLIN
GD112 - TOIT PLAT		
32	W670-0006	TERMINAISON
33	W490-0073	MANCHON INTÉRIEUR/EXTÉRIEUR 4/7
34	W010-0567	SUPPORT DE TOIT
35	W263-0056	SOLIN DE TOIT
36	W170-0063	COLLET DE SOLIN
ACCESSOIRES COMMUNS		
N° RÉF.	N° DE PIÈCE	DESCRIPTION
37*	W175-0001	BAGUE D'ACCROUPEMENT DE 4"
38*	W175-0013	BAGUE D'ACCROUPEMENT DE 7"
39	CDV4L	REVÊTEMENT DE PERSIENNES - LAITON POLI
39	CDV4LSS	REVÊTEMENT DE PERSIENNES - ACIER INOXYDABLE BROSSÉ
40*	W690-0001	THERMOSTAT MILLIVOLT
41*	W660-0011	TÉLÉCOMMANDE MANUELLE À BATTERIE - AVANTAGE PLUS
42*	W500-0096	ESPACEUR COUPE-FEU
43*	W500-0103	EXTENSION DE TERMINAISON
44	GD-301	PROTECTEUR DE CHALEUR GRILLAGÉ POUR TERMINAISON MURALE
45*	W10-0370	ENSEMBLE DE SUPPORT MURAL
46*	W660-0013	TÉLÉCOMMANDE MANUELLE À MODULATION THERMOSTATIQUE
47*	W175-0053	ADAPTATEUR DURA-VENT POUR DÉGAGEMENT ZÉRO
48*	W361-0016	BRAISES INCANDESCENTES

! AVERTISSEMENT

OMETTRE DE POSITIONNER LES PIÈCES CONFORMÉMENT À CE MANUEL OU D'UTILISER UNIQUEMENT DES PIÈCES SPÉCIFIQUEMENT APPROUVÉES POUR CET APPAREIL PEUT CAUSER DES DOMMAGES MATÉRIELS OU DES BLESSURES CORPORELLES.

**** CECI EST UN THERMOCOUPLE À ACTION RAPIDE QUI CONSTITUE UN COMPOSANT ESSENTIEL DE SÉCURITÉ. REMPLACEZ UNIQUEMENT PAR UN THERMOCOUPLE À ACTION RAPIDE DE WOLF STEEL LTÉE.**

Contactez votre détaillant pour les questions concernant les prix et la disponibilité des pièces de rechange.

Normalement, toutes les pièces peuvent être commandées chez votre détaillant autorisé.
POUR UN REMPLACEMENT DE PIÈCE SOUS GARANTIE, UNE PHOTOCOPIE DE LA FACTURE ORIGINALE SERA REQUISE AFIN DE POUVOIR HONORER LA DEMANDE.

Lorsque vous commandez des pièces, donnez toujours l'information suivante :

- Modèle et numéro de série de l'appareil
- Date d'installation de l'appareil
- Numéro de la pièce
- Description de la pièce

• Fin!

*** IDENTIFIÉ LES ARTICLES QUI NE SONT PAS ILLUSTRÉS. POUR PLUS D'INFORMATION, CONTACTEZ VOTRE DÉTAILLANT AUTORISÉ.**

41.2

COMPOSANTS COMMUNS

N° RÉF.	N° DE PIÈCE	DESCRIPTION
1*	W225-0058	PORTE CHÂSSIS - NOIRE
2	W357-0001	ALLUMEUR PIÉZO
3	W680-0004	THERMOPILE
4	W680-0005	THERMOCOUPLE **
5	W010-0800	ASSEMBLAGE DE VEILLEUSE - PL
5	W010-0801	ASSEMBLAGE DE VEILLEUSE - GN
6	W455-0069	INJECTEUR DE VEILLEUSE - GN
6	W455-0067	INJECTEUR DE VEILLEUSE - PL
7	W225-0025	SOUPE - GAZ NATUREL
7	W225-0026	SOUPE - PROPANE
8*	W385-0430	LOGO CONTINENTAL®
9*	W750-0112	20 PIEDS DE CÂBLE
10*	W010-0538	COUVERCLE D'ÉVACUATION AVEC JOINT D'ÉTANCHÉITÉ
11	W010-0539	BUSE D'ÉVACUATION AMOVIBLE AVEC JOINT D'ÉTANCHÉITÉ
12	W010-0764	BRÛLEUR À PLATEAU
13	GL-639	ENSEMBLE DE BÛCHES
14*	W361-0016	BRAISES INCANDESCENTES
15*	W550-0001	BRAISES DE CHARBON DE BOIS
16	W135-0183	BÛCHE ARRIÈRE
17	W135-0184	BÛCHE CENTRALE GAUCHE
18	W135-0185	BÛCHE CENTRALE DROITE
19	W135-0186	BÛCHE TRANSVERSALE GAUCHE
20	W135-0187	BÛCHE TRANSVERSALE CENTRALE
21	W135-0188	BÛCHE TRANSVERSALE DROITE
22	W010-0454	VITRE AVEC JOINT D'ÉTANCHÉITÉ
23	W010-0516	PORTE NOIRE AVEC VITRE
24*	W010-1010	L'ASSEMBLÉE SUPÉRIEURE DE LOUVER
25*	W010-1011	L'ASSEMBLÉE ABAISSER DE LOUVER

AVERTISSEMENT

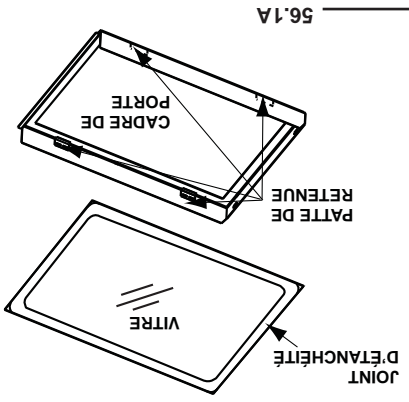
N'UTILISEZ PAS DE MATÉRIAUX DE SUBSTITUTION.

LA VITRE PEUT ÊTRE CHAUDE, NE TOUCHEZ PAS LA VITRE JUSQU'À CE QU'ELLE AIT REFFROIDI.

USEZ DE PRUDENCE LORSQUE VOUS ENLEVEZ ET JETEZ DES DÉBRIS DE VÉRRE OU DES COMPOSANTS ENDOMMAGÉS. ASSUREZ-VOUS D'ASPIRER TOUS LES DÉBRIS DE VÉRRE À L'INTÉRIEUR DE L'APPAREIL AVANT DE LE FAIRE FONCTIONNER.

NE FRAPPEZ PAS, NE CLAQUEZ PAS ET N'ÉGRATIGNEZ PAS LA PORTE VITRÉE. NE FAITES PAS FONCTIONNER L'APPAREIL LORSQUE LA PORTE VITRÉE EST ENLEVÉE, FISSURÉE, BRISÉE OU ÉGRATIGNÉE.

- A. Placez le cadre de la porte avec la devanture vers le bas en prenant soin de ne pas égratigner la peinture.
- B. Centrez la vitre avec joint d'étanchéité dans le cadre avec le côté épais du joint d'étanchéité orienté vers le haut.
- C. Pliez les pattes de retenue situées sur le cadre par-dessus le joint d'étanchéité pour retenir la vitre en place. Faites attention à ne pas casser la vitre.



56.1A

11.2 SOINS DE LA VITRE

AVERTISSEMENT

LA VITRE CHAUDE CAUSERA DES BRÛLURES.

NE PAS TOUCHER LA VITRE AVANT QU'ELLE AIT REFFROIDI.

NE JAMAIS LAISSER LES ENFANTS TOUCHER LA VITRE.

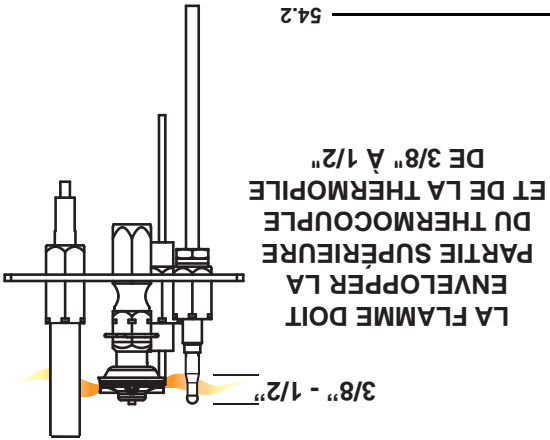
5.1

NE PAS NETTOYER LA VITRE LORSQU'ELLE EST CHAUDE! N'EMPLOYEZ PAS DE DÉTERGENTS ABRASIFS POUR NETTOYER LA VITRE.

Polissez légèrement à l'aide d'un linge propre et sec. Nettoyez les deux côtés de la vitre avec un nettoyeur recommandé après les dix premières heures de fonctionnement. Par la suite, nettoyez aussi souvent qu'il le faudra, sinon la vitre risque de rester marquée en permanence.

10.3 CARACTÉRISTIQUES DE LA FLAMME

Il est important d'effectuer périodiquement une inspection visuelle de la flamme de la veilleuse et du brûleur. Comparez-les à ces illustrations. Si des flammes paraissent anormales, contactez un technicien de service.



11.0 ENTRETIEN

AVERTISSEMENT

COUPEZ L'ALIMENTATION EN GAZ ET L'ALIMENTATION ÉLECTRIQUE AVANT DE PROCÉDER À L'ENTRETIEN DE L'APPAREIL.

L'APPAREIL PEUT ÊTRE CHAUD. ATTENDEZ QU'IL SOIT REFROIDI AVANT D'EN FAIRE L'ENTRETIEN.

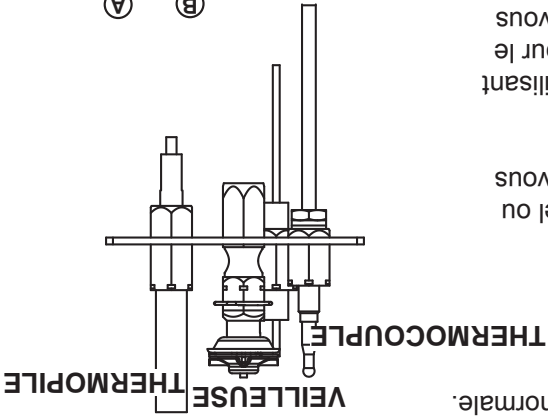
N'UTILISEZ PAS DE PRODUITS ABRASIFS.

- ATTENTION :** Lors de l'entretien des contrôles, assurez-vous d'identifier chacun des fils avant de les débrancher. Une réinstallation incorrecte des fils peut occasionner un mauvais fonctionnement et être dangereuse. Assurez-vous que l'appareil fonctionne adéquatement une fois l'entretien terminé. Cet appareil et son système d'évacuation devraient être inspectés avant la première utilisation et au moins une fois l'an par un technicien de service qualifié. L'espace entourant l'appareil doit être gardé propre et libre de matériaux combustibles, d'essence ou autres liquides et vapeurs inflammables. Les apports d'air comburant et d'air de convection ne doivent pas être obstrués.
- A.** Pour nettoyer le brûleur principal et la veilleuse adéquatement, il faut retirer les bûches, les roches ou la vitre afin de dégager les deux ensembles.
 - B.** Gardez le compartiment des contrôles, les composants décoratifs, le brûleur, le volet d'air et l'espace entourant les bûches propres en passant l'aspirateur au moins une fois l'an.
 - C.** Assurez-vous que tous les orifices des brûleurs produisent des flammes. Nettoyez tous les orifices qui n'ont pas de flamme ou dont la flamme ne brûle pas adéquatement.
 - D.** Assurez-vous que la flamme de la veilleuse est assez puissante pour envelopper la sonde de flamme et/ou le thermocouple/thermopile et qu'elle atteigne le brûleur.
 - E.** Remettez en place les bûches, les roches ou la vitre nettoyées. Omettre de positionner les composants décoratifs adéquatement peut causer des dépôts de carbone qui peuvent se déposer dans des endroits de séjour avoisinants.
 - F.** Vérifiez si le brûleur principal allume sur tous les orifices lorsque le bouton de contrôle du gaz est à « ON ». Un temps d'allumage total de 5 à 10 secondes est satisfaisant. Si l'allumage prend plus de temps, consultez votre détaillant autorisé.
 - G.** Vérifiez si les joints d'étanchéité sur les côtés, le haut et le bas de la porte ne sont pas brisés ou manquants. Remplacez si nécessaire.
 - H.** Si pour une raison quelconque le système d'évents de prise d'air est démonté, réinstallez et rescellez-le selon les instructions fournies dans l'installation initiale.

10.0 RÉGLAGES

10.1 RÉGLAGE DE LA VEILLEUSE

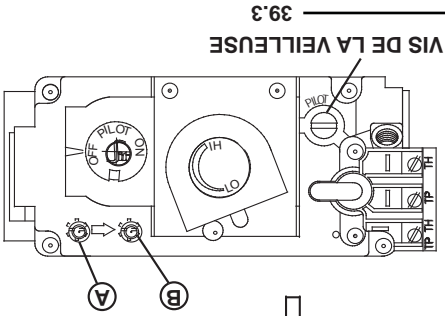
Ajustez la vis de la veilleuse pour obtenir une flamme de taille normale. Tournez vers la droite pour réduire l'apport de gaz.



Pour vérifier la pression d'arrivée, tournez la vis (A) vers la gauche jusqu'à ce qu'elle soit desserrée, puis embotez le tube du manomètre sur la pointe d'essai. Le manomètre doit indiquer 7" (minimum 4,5") de colonne d'eau pour le gaz naturel ou 13" (minimum 11") de colonne d'eau pour le propane. Assurez-vous que le brûleur principal fonctionne à « HI ».

La pression de sortie peut être vérifiée de la même façon en utilisant la vis (B). Le manomètre doit indiquer 3,5" de colonne d'eau pour le gaz naturel ou 10" de colonne d'eau pour le propane. Assurez-vous que le brûleur principal fonctionne à « HI ».

APRÈS AVOIR PRIS LA LECTURE DES PRESSIONS, SERREZ BIEN LES VIS POUR SCELLER. NE SERREZ PAS TROP FORT. VÉRIFIEZ POUR DES FUITES.

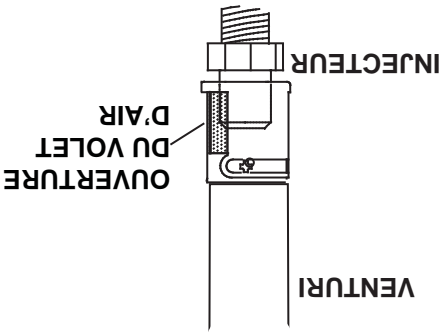


10.2 RÉGLAGE DU VENTURI

L'ouverture du volet d'air a été pré-réglée en usine selon le tableau ci-dessous :

Indépendamment de l'orientation du venturi, plus le volet est fermé, plus la flamme est jaune et aura tendance à causer des dépôts de carbone. Plus le volet est ouvert, plus la flamme est bleue et plus elle a tendance à se détacher des orifices du brûleur. La flamme peut ne pas être jaune immédiatement; allouez de 15 à 30 minutes pour que la couleur finale de la flamme se stabilise.

LE RÉGLAGE DU VOLET D'AIR DOIT ÊTRE EXÉCUTÉ PAR UN TECHNICIEN OU INSTALLATEUR QUALIFIÉ!



Ces réglages sont pour une évacuation arrière à terminaison horizontale maximale. D'autres réglages peuvent être nécessaires selon le type de gaz utilisé, la configuration de l'évacuation et l'altitude.

Pour accéder au volet d'air, enlevez les deux vis qui retiennent le couvercle de la trappe à air en prenant soin de ne pas abîmer le joint d'étanchéité.

BCDV36	CDV36	PL
1/16"	1/16"	1/4"
1/16"	1/4"	1/4"



! AVERTISSEMENT

SI CES INSTRUCTIONS NE SONT PAS SUIVIES À LA LETTRE, UN INCENDIE OU UNE EXPLOSION POUR-RAIENT S'ENSUIVRE, CAUSANT DES DOMMAGES MATÉRIELS, DES BLESSURES CORPORELLES OU DES PERTES DE VIE.

ALLUMEZ TOUJOURS LA VEILLEUSE, QUE CE SOIT POUR LA PREMIÈRE FOIS OU LORSQU'ELLE EST DÉJÀ ALLUMÉE, AVEC LA PORTE VITRÉE OUVERTE OU RETIRÉE.

Assurez-vous que l'arrivée de gaz au brûleur est continue avant de réinstaller la porte. Lorsqu'il est allumé pour la première fois, l'appareil dégagera une légère odeur pendant quelques heures. Cela est une condition normale temporaire causée par le conditionnement des bûches et l'évaporation des peintures et lubrifiants internes utilisés dans le processus de fabrication; elle ne se reproduira plus.

Après de longues périodes sans utiliser l'appareil, comme à la suite de vacances ou à la fin de l'hiver, il se peut qu'une légère odeur se dégage pendant quelques heures. Ceci est causé par des particules de poussière brûlant dans l'échangeur de chaleur. Dans les deux cas, ouvrez une fenêtre pour aérer la pièce.

POUR VOTRE SÉCURITÉ, LISEZ CE QUI SUIT AVANT D'ALLUMER L'APPAREIL :

- A.** Cet appareil est muni d'une veilleuse qui doit être allumée manuellement tout en suivant ces instructions à la lettre. Avant d'allumer, sentez autour de l'appareil et près du plancher afin de vous assurer qu'il n'y a pas de fuite de gaz. Certains gaz sont plus lourds que l'air et se déposeront au niveau du plancher.
- C.** N'utilisez que votre main pour tourner le bouton de contrôle du gaz. N'utilisez jamais d'outils. Si le bouton ne tourne pas manuellement, n'essayez pas de le réparer. Appelez un technicien qualifié. Forcer le bouton ou tenter de réparer le mécanisme pourrait causer un feu ou une explosion.
- D.** N'utilisez pas cet appareil si une partie quelconque a été submergée. Contactez immédiatement un technicien qualifié pour l'inspecter et pour remplacer toute pièce du système de contrôle et du contrôle du gaz qui aurait été submergée.

QUE FAIRE SI VOUS DÉTECTEZ UNE ODEUR DE GAZ :

- Coupez l'alimentation en gaz à l'appareil.
- Ouvrez les fenêtres.
- N'allumez aucun appareil.
- Ne touchez à aucun interrupteur électrique;
- N'utilisez aucun téléphone dans votre immeuble.
- De la maison d'un voisin, appelez immédiatement votre fournisseur de gaz et suivez ses instructions.
- Si vous ne pouvez pas rejoindre votre fournisseur de gaz, appelez le service des incendies.



INSTRUCTIONS D'ALLUMAGE :

ATTENTION : La soupape de gaz à un dispositif d'enclenchement qui ne permet à la veilleuse de s'allumer que lorsque le thermocouple est refroidi. Attendez au moins 60 secondes pour permettre au thermocouple de se refroidir.

Durant l'allumage et le réalumage, le bouton de contrôle du gaz ne peut tourner de « PILOT » à « OFF » à moins de l'enfoncer légèrement.

1. Arrêtez! Lisez les consignes de sécurité ci-dessus.
2. Coupez l'alimentation électrique à l'appareil.
3. Tournez le bouton de contrôle du gaz vers la droite à « OFF ».
4. Attendez 5 minutes pour que le gaz puisse s'échapper. Si vous détectez une odeur de gaz, incluant au niveau du plancher, Arrêtez! et suivez les instructions ci-dessus « Que faire si vous détectez une odeur de gaz ». Continuez à l'étape suivante si vous ne sentez pas de gaz.
5. Tournez le bouton de contrôle du gaz vers la gauche à « PILOT ».
6. Enfoncez légèrement le bouton de contrôle du gaz pendant que vous allumez la veilleuse en appuyant sur le bouton-poussoir d'ignition. Gardez le bouton de contrôle du gaz enfoncé pendant une minute, puis relâchez-le. Si la veilleuse ne reste pas allumée, répétez les étapes 3 à 5.
7. Lorsque la veilleuse est allumée, enfoncez et tournez le bouton de contrôle du gaz vers la gauche à « ON ». Si votre appareil est muni d'un interrupteur à distance/thermostat, le brûleur principal peut ne pas s'allumer lorsque vous tournez la soupape de gaz à « ON ». L'interrupteur à distance doit aussi être à « ON » pour que le brûleur principal s'allume.
9. Rétablissez l'alimentation électrique à l'appareil.

INSTRUCTIONS POUR COUPER LE GAZ

1. Coupez l'alimentation électrique à l'appareil si un travail d'entretien doit se faire.
2. Enfoncez légèrement le bouton de contrôle du gaz et tournez vers la droite jusqu'à « OFF ». Ne forcez pas.

TOURNEZ LA SOUPAPE DE CONTRÔLE À « OFF » LORSQUE L'APPAREIL N'EST PAS UTILISÉ.

L'INSTALLATION DOIT ÊTRE FAITE PAR UN INSTALLATEUR

QUALIFIÉ, raccordée électriquement et mise à la terre conformément aux codes locaux. En l'absence de codes locaux, utilisez la version courante du Code canadien de l'électricité CSA C22.1 au Canada ou le National Electrical Code ANSI/NFPA 70 aux États-Unis.

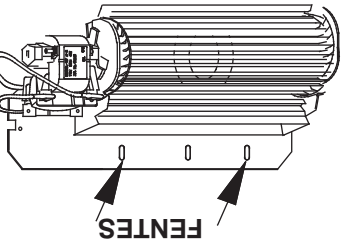
Si l'appareil n'était pas muni d'une soufflerie auparavant :

acheminez un fil électrique de 60 Hz à deux brins et mis à la terre jusqu'à la boîte de dérivation. Le fil doit être isolé et ne doit pas être tendu.

Les trois fentes sur le support de montage de la soufflerie vous permettent d'ajuster la soufflerie lorsque vous l'installez. Pour que la soufflerie fonctionne silencieusement, il est important que le montage ne repose pas sur la base.

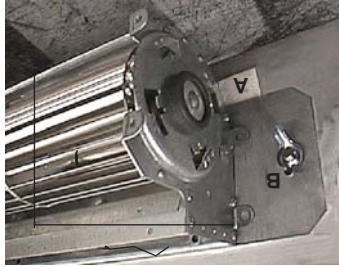
Insérez le coussinet amortisseur (A) dans la pince (C) et glissez-le jusqu'à la tige filetée (B) à l'autre extrémité. La soufflerie doit pouvoir être entièrement placée sur le coussinet.

Pour faciliter l'installation de la soufflerie, enlevez le cache-charnières et la porte de contrôle de la soupape (persiennes inférieures) de la base de l'appareil.



Inclinez la soufflerie sur le côté, glissez-la au-delà des contrôles et placez-la dans la pince (C). Fixez la soufflerie à la tige filetée à l'aide de la rondelle de blocage et de l'écrou papillon fournis. Assurez-vous que la soufflerie ne touche pas la base de l'appareil ni la chambre de combustion.

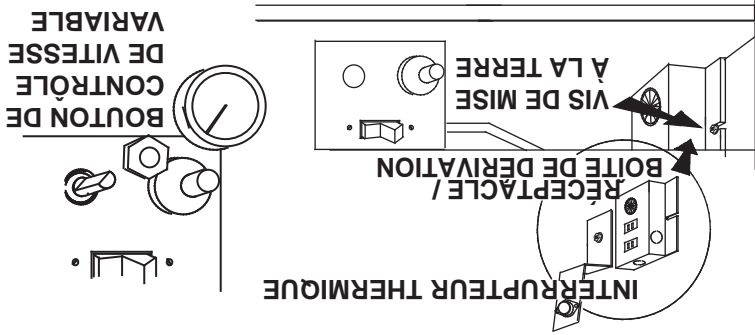
Reliez les raccords des fils noir et blanc à l'interrupteur thermique et fixez le support de l'interrupteur thermique à la partie inférieure gauche de l'appareil à l'aide de la vis fournie. Assurez-vous que l'interrupteur thermique touche la paroi de la chambre de combustion.



Reliez les raccords des fils noir et rouge à

la soufflerie.

Fixez l'interrupteur à vitesse variable à l'aide de l'écrou fourni à cet effet. Branchez le cordon d'alimentation dans le réceptacle. Le harnais de fils fourni dans cet ensemble est un harnais universel. Lors de son installation, assurez-vous que tout excès de fil est confiné, l'empêchant ainsi d'entrer en contact avec des objets chauds ou mobiles.

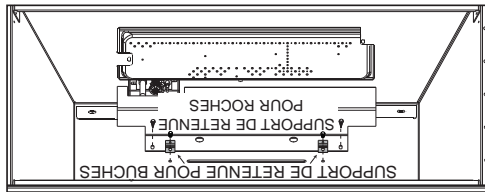


La soufflerie étant actionnée par la chaleur, lorsque l'interrupteur est à « ON », elle se mettra automatiquement en marche, environ 10 minutes après l'allumage de l'appareil et fonctionnera de 30 à 45 minutes environ après l'arrêt de l'appareil. L'utilisation de la soufflerie accroît le débit de chaleur. La poussière de gypse pénétrera dans le roulement à billes de la soufflerie, causant des dommages irréparables. Vous devez éviter que cette poussière n'entre en contact avec la soufflerie ou son compartiment. Tout dommage causé par ce problème ne sera pas couvert par la garantie.

(L'ENSEMBLE ADAPTEUR RAK-ROCK DOIT ÊTRE UTILISÉ AVEC CET ENSEMBLE.)

! AVERTISSEMENT

NE PAS UTILISER DE VRAIES ROCHES DANS CET APPAREIL. LA CHALEUR LES FERA ÉCLATER.



A. Enlevez tous les composants décoratifs et les

bûches.

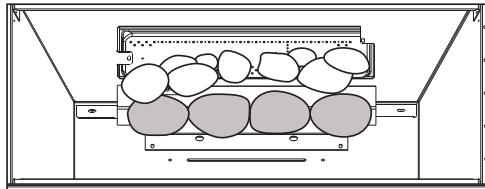
B. Enlevez les 2 vis et le support de retenue pour

bûches qui sont déjà installés dans la chambre de combustion et fixez le support de retenue pour roches le long de l'arrière de la chambre

de combustion.

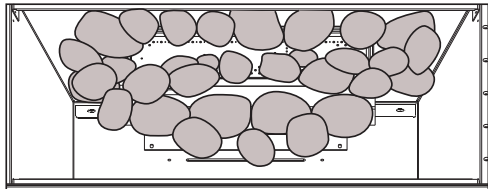
NOTE : Quand les panneaux de porcelaine sont in-

stallés, le support de retenue pour roches est fixé sur le panneau arrière. Les pattes du panneau de porcelaine arrière doivent être pliées vers le haut pour être à égalité avec le support de retenue pour roches.



D. Placez les grosses roches avec fente le long du

pourtour du support de retenue pour roches tel qu'illustré.



Placez les autres roches autour du brûleur

comme vous désirez, en vous assurant de ne pas couvrir les orifices du brûleur. (Il n'y a pas de positions déterminées.)

prouvée par WolfSteel.

NOTE : Pour obtenir de meilleurs résultats, il est recommandé d'enlever le chenet et de peindre les surfaces où le chenet a été enlevé avec de la peinture ap-

prouvée par WolfSteel.

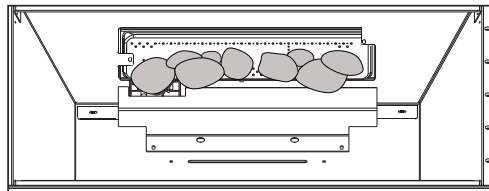
vous que les amas reposent à plat sur le

brûleur.

Mettez les deux amas de roches en place, en

alignant les tiges situées sur le brûleur avec

les trous en dessous des roches. Assurez-



(L'ENSEMBLE ADAPTEUR RAK-ROCK DOIT ÊTRE UTILISÉ AVEC CET ENSEMBLE.)

! AVERTISSEMENT

NE PAS UTILISER DE VRAIES ROCHES DANS CET APPAREIL. LA CHALEUR LES FERA ÉCLATER.

8.0 INSTALLATION DE LA SOUFFLERIE OPTIONNELLE

! AVERTISSEMENT

RISQUE D'INCENDIE ET DE CHOC ÉLECTRIQUE.

COUPEZ L'ALIMENTATION EN GAZ ET L'ALIMENTATION ÉLECTRIQUE AVANT DE PROCÉDER À L'ENTRETIEN DE L'APPAREIL.

N'UTILISEZ QUE LES ACCESSOIRES OPTIONNELS ET LES PIÈCES DE RÉCHANGE APPROUVÉES PAR WOLF STEEL POUR CET APPAREIL. L'UTILISATION D'ACCESSOIRES NON LISTÉS (SOUFFLERIE, PORTES, PERSIENNES, MOULURES, COMPOSANTS DE GAZ, COMPOSANTS D'ÉVACUATION, ETC.) POURRAIT ÊTRE NON SÉCURITAIRE ET ANNULER LA GARANTIE ET LA CERTIFICATION.

AFIN DE PRÉVENIR LES CHOCS ÉLECTRIQUES ET LES DOMMAGES CAUSÉS PAR LE FEU, ASSUREZ-VOUS QUE LE CORDON D'ALIMENTATION DU VENTILATEUR N'ENTRE PAS EN CONTACT AVEC QUELCONQUE SURFACE DE L'APPAREIL. NE FAITES PAS PASSER LE CORDON D'ALIMENTATION SOUS L'APPAREIL.

LE HARNAIS DE FILS FOURNI DANS L'ENSEMBLE DE SOUFFLERIE EST UN HARNAIS UNIVERSEL. LORS DE SON INSTALLATION, ASSUREZ-VOUS QUE TOUT EXCÈS DE FIL EST CONFINÉ, L'EMPÊCHANT AINSI D'ENTRER EN CONTACT AVEC DES OBJETS CHAUDS OU MOBILES.

7.4 BRAISES DE CHARBON DE BOIS

Eparillez les braises à l'avant et sur les côtés du support à bûches de façon à créer un effet réaliste. **N'utilisez pas la fine poussière qui reste au fond du sac.**

NOTE : Les braises de charbon de bois ne doivent pas être placées sur le brûleur.

32.1

7.5 VERMICULITE (MODÈLE CDV36 SEULEMENT)

Eparillez la vermiculite autour des braises de charbon de bois.

NOTE : La vermiculite ne doit pas être placée sur le brûleur.

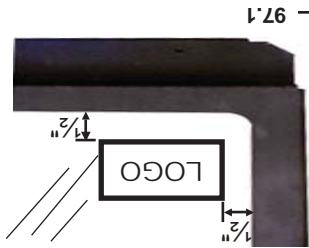
33.1

7.6 BRAISES INCANDESCENTES

Déchirez les braises incandescentes en morceaux et placez-les le long de la première rangée des orifices du brûleur en couvrant toute la surface à l'avant des petites bûches. Les braises devraient être déchirées très soigneusement en petits morceaux *minces* irréguliers, car seuls les côtés exposés des fibres deviendront incandescentes. **Les braises seront incandescentes seulement lorsqu'elles sont exposées à une flamme directe; cependant, prenez bien garde de ne pas boucher les orifices du brûleur.** Le blocage des orifices du brûleur peut créer une flamme irrégulière, des dépôts de carbone et un retard d'allumage. Les bûches **PHAZER^{MD}** rougeoient lorsqu'elles sont exposées à une flamme directe. N'utilisez que des braises incandescentes et des bûches certifiées **PHAZER^{MD}**, disponibles chez votre détaillant autorisé.

7.7 MISE EN PLACE DU LOGO

Retirez le papier dorsal du logo et placez-le sur la porte vitrée tel qu'indiqué.



97.1

AVERTISSEMENT

OMETTRE DE POSITIONNER LES BÛCHES CONFORMÈMENT AUX SCHEMAS OU OMETTRE D'UTILISER UNIQUEMENT DES BÛCHES SPÉCIFIQUEMENT APPRUVÉES POUR CET APPAREIL PEUT CAUSER DES DOMMAGES MATÉRIELS OU DES BLESSURES CORPORELLES.

LES BÛCHES DOIVENT ÊTRE PLACÉES CORRECTEMENT À L'INTÉRIEUR DE L'APPAREIL. NE CHANGEZ PAS LA POSITION DES BÛCHES CAR L'APPAREIL RISQUE DE NE PAS FONCTIONNER ADEQUATEMENT ET UN RETARD D'ALLUMAGE RISQUE DE SE PRODUIRE.

LES BÛCHES SONT FRAGILES ET DEVRAIENT ÊTRE MANIPULÉES AVEC SOIN.

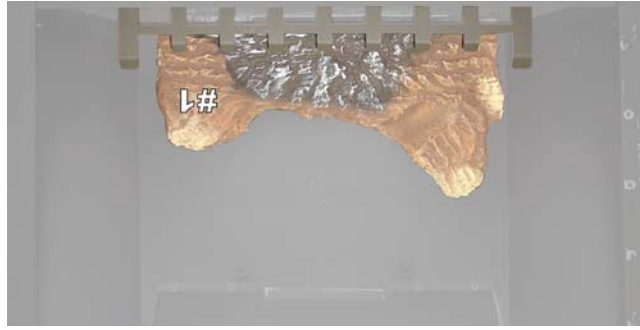
76.1A

Les bûches PHAZER^{MD} et les braises incandescentes, exclusives aux appareils Continental®, créent un effet incandescent réaliste et unique qui est différent dans chaque installation. Prenez le temps de bien installer les braises incandescentes pour obtenir le meilleur effet possible. La couleur des bûches peut varier. Lors de la première utilisation de l'appareil, les couleurs deviendront plus uniformes à mesure que leurs pigments seront « absorbés » pendant le procédé de « cuisson ».

A.

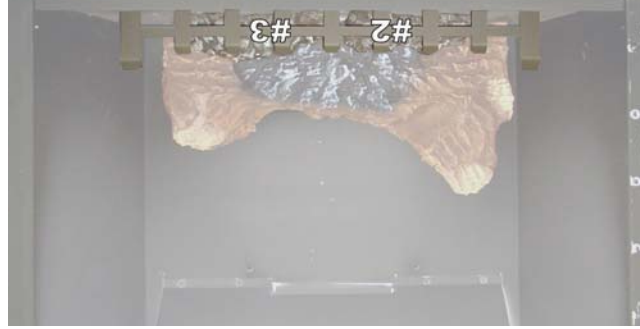


Placez la bûche arrière (#1) sur le support à bûches et devant les pattes. Les pattes maintiennent un espace entre la bûche et l'arrière de la chambre de combustion afin de faciliter la circulation de l'air comburant. Assurez-vous que le dos de la bûche s'appuie sur les supports situés sur le mur arrière de la chambre de combustion.



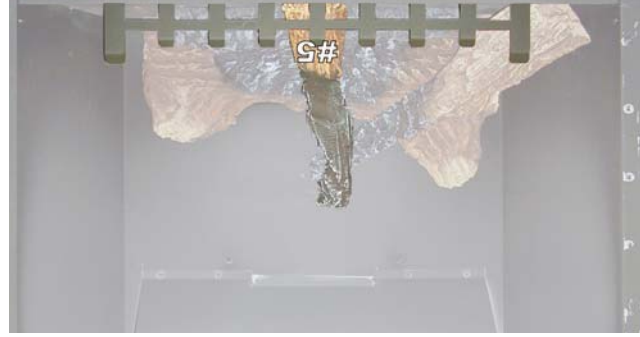
C.

Placez le bas de la bûche transversale gauche (#4) contre le côté gauche de la chambre de combustion et tirez vers le chenet. Le haut de la bûche est placé dans la rainure sur la bûche arrière.



B.

Placez les deux petites bûches (#2 et #3) à leur place, en alignant les tiges situées sur le brûleur avec les trous sous les bûches. Assurez-vous que les petites bûches soient à plat sur le brûleur.



D.

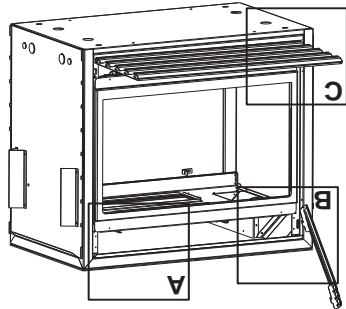
Placez le bas de la bûche centrale (#5) contre le poteau central du chenet et l'autre extrémité dans la rainure de la bûche transversale gauche.



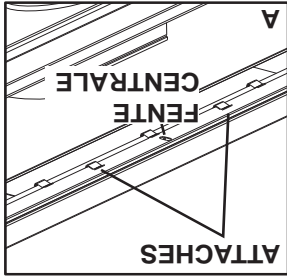
E.

Placez le bas de la bûche transversale droite (#6) contre le côté droit de la chambre de combustion et tirez jusqu'au chenet. Le haut de la bûche est placé dans la rainure sur la bûche centrale (#5).

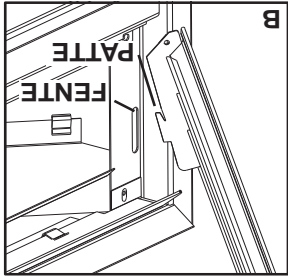
7.2 INSTALLATION DES PERSIENNES



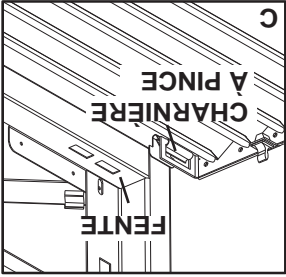
HOTTE
 Fixez la hotte en
 l'insérant dans les
 attaches situées le long
 du haut de l'appareil.
 Fixez en place en
 insérant une vis dans la
 fente centrale.



**PERSIENNES
 SUPÉRIEURES**
 Insérez les pattes des
 persiennes dans les
 fentes situées aux coins
 supérieurs gauche et
 droit de l'appareil.



**PERSIENNES
 INFÉRIEURES**
 Insérez les charnières
 à pince dans les fentes
 situées aux coins infé-
 rieurs gauche et droit de
 l'appareil. Pour retirer les
 persiennes, pressez les
 pinces des charnières
 puis soulevez.



57.2

7.0 FINITIONS

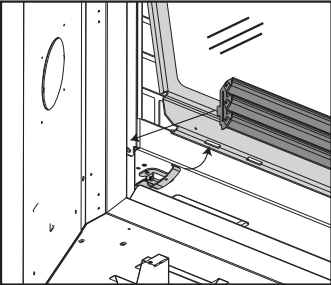
AVERTISSEMENT	
RISQUE D'INCENDIE!	
N'OBSTRUEZ JAMAIS L'OUVERTURE SUR LE DEVANT DE L'APPAREIL.	
LA FAÇADE DE L'APPAREIL DOIT ÊTRE FAITE DE MATÉRIAUX INCOMBUSTIBLES COMME DE LA BRIQUE, DU MARBRE, DU GRANITE, ETC., À CONDITION QUE CES MATÉRIAUX NE SE TROUVENT PAS EN DEÇÀ DE LA DIMENSION SPÉCIFIÉE TEL QU'ILLUSTRE, COMME ALTERNATIVE, VOUS POUVEZ UTILISER LE PANNEAU DE GYPSE COMME FINITION POUR VOTRE APPAREIL, VOIR LES ILLUSTRATIONS À SUIVRE.	
NE FRAPPEZ PAS, NE CLAQUEZ PAS ET N'ÉGRATIGNEZ PAS LA PORTE VITRÉE. NE FAITES PAS FONCTIONNER L'APPAREIL LORSQUE LA PORTE VITRÉE EST ENLEVÉE, FISSURÉE, BRISÉE OU ÉGRATIGNÉE.	
LES MATÉRIAUX DE FAÇADE OU DE FINITION NE DOIVENT JAMAIS EMPÊCHER SUR L'OUVERTURE DE L'APPAREIL.	

72.1A

7.1 OUVERTURE ET FERMETURE DE LA PORTE

AVERTISSEMENT	
LA VITRE PEUT ÊTRE CHAUDE, NE TOUCHEZ PAS LA VITRE JUSQU'À CE QU'ELLE AIT REFROIDI.	
LES LOQUETS DE PORTE FONT PARTIE D'UN DISPOSITIF DE SÉCURITÉ ET DOIVENT ÊTRE ADEQUATEMENT VERROUILLÉS. NE FAITES PAS FONCTIONNER L'APPAREIL LORSQUE LES LOQUETS SONT DÉVERROUILLÉS.	
LES MATÉRIAUX DE FAÇADE ET DE FINITION NE DOIVENT PAS NUIRE À LA CIRCULATION DE L'AIR DANS LES OUVERTURES D'AIR ET LES PERSIENNES, NI AU FONCTIONNEMENT DES PERSIENNES OU DES PORTES. ILS NE DOIVENT PAS NON PLUS ENTRAVER L'ACCÈS POUR L'ENTRÉTIEN. RESPECTEZ TOUS LES DÉGAGEMENTS AUX MATÉRIAUX COMBUSTIBLES.	
AVANT D'ENLEVER LA PORTE, ÉTEIGNEZ L'APPAREIL ET ATTENDEZ QUE CE DERNIER SOIT FROID AU TOUCHER. LES PORTES SONT LOURDES ET FRAGILES; MANIPULEZ AVEC SOIN.	

75.1



Les persiennes supérieures doivent être enlevées pour ouvrir et fermer la porte. Ouvrez la porte de contrôle de la soupape pour avoir accès au loquet inférieur de la porte. Déverrouillez les loquets supérieur et inférieur situés du côté droit de la porte. Les moulures de porte plaquées et les façades de porte arquées optionnelles sont disponibles chez votre détaillant autorisé.

NOTE: L'emballage de protection sur les pièces plaquées s'enlève mieux lorsque l'assemblage est à température ambiante ou lorsqu'il est chauffé avec un séchoir à cheveux ou une autre source de chaleur similaire.

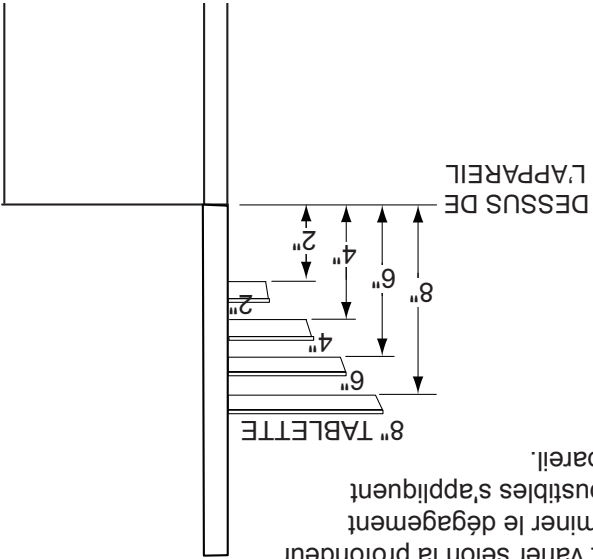
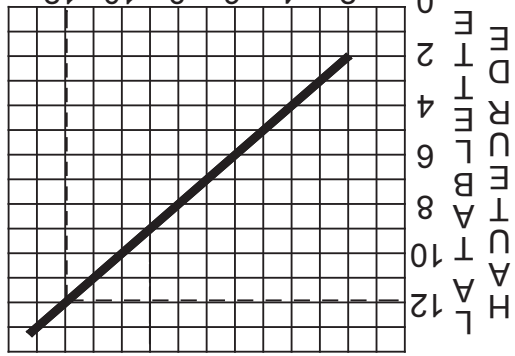
AVERTISSEMENT

RISQUE D'INCENDIE. CONSERVEZ TOUS LES DÉGAGEMENTS AUX MATÉRIAUX COMBUSTIBLES SPÉCIFIÉS. NE PAS RESPECTER CES INSTRUCTIONS PEUT CAUSER UN INCENDIE OU UNE SURCHAUFFE. ASSUREZ-VOUS QUE TOUTS LES DÉGAGEMENTS (ARRIÈRE, CÔTES, DESSUS, EVENTS, TABLETTE, FAÇADE, ETC.) SONT RESPECTÉS À LA LETTRE.

LORSQUE VOUS UTILISEZ DE LA PEINTURE OU DU VERNIS COMME FINITION POUR VOTRE TABLETTE, ASSUREZ-VOUS QU'ILS SOIENT RÉSISTANTS À LA CHALEUR AFIN DE PRÉVENIR LA DÉCOLORATION.

73.1

Le dégagement d'une tablette combustible à l'appareil peut varier selon la profondeur de la tablette. Utilisez le graphique pour vous aider à déterminer le dégagement nécessaire. Les mêmes dégagements aux matériaux combustibles s'appliquent pour toutes les surfaces en projection sur les côtés de l'appareil.



6.6 INSTALLATION DES SUPPORTS DE FIXATION DE LA TABLETTE

A. Fixez les supports de fixation à l'aide des 2 vis auto-perçuses fournies dans les trous appropriés du cadre extérieur du caisson. S'il n'y a pas de trous au cadre extérieur du caisson, suivez les instructions suivantes :

B. Afin de déterminer l'emplacement définitif des supports de fixation, vous devez d'abord calculer l'épaisseur des matériaux de finition (p. ex. panneau de gypse). Ceci permettra de calculer les dimensions à partir de la face du caisson extérieur jusqu'aux supports de fixation. Une fois que vous avez déterminé l'emplacement définitif, percez un trou à travers le centre du support de fixation et fixez à l'aide d'une vis auto-perçuse*.

* Des vis de fixation supplémentaires peuvent être installées.



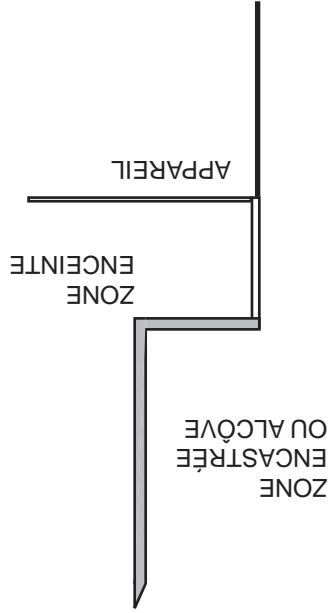
55.1A

NOTE : Les zones encastrées ou les alcôves au dessus de l'appareil peuvent être aussi profondes que désiré tant que les dégagements minimaux aux matériaux combustibles sont respectés.

Vous pouvez utiliser un matériau incombustible, pourvu que les dégagements minimaux aux matériaux combustibles soient appliqués.

Le volume minimal de l'enceinte doit être augmenté d'au moins la valeur du volume de la zone encastrée. Cet ajustement peut être réalisé en augmentant une ou toutes les dimensions de l'enceinte.

71.2

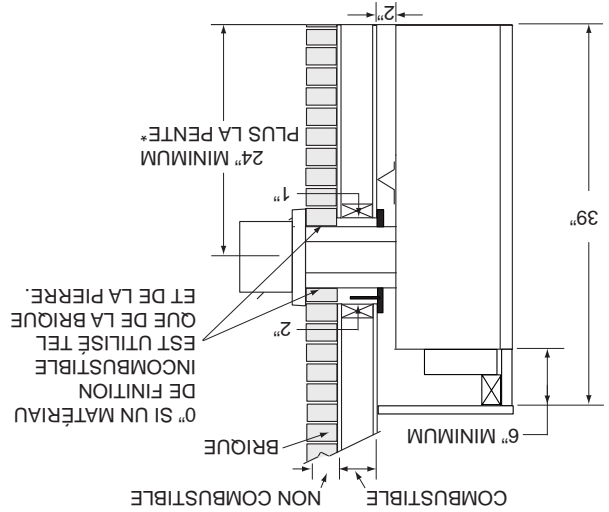


6.4 DÉGAGEMENTS D'UNE ALCÔVE

ENCEINTE AVEC ÉVACUATION À L'ARRIÈRE

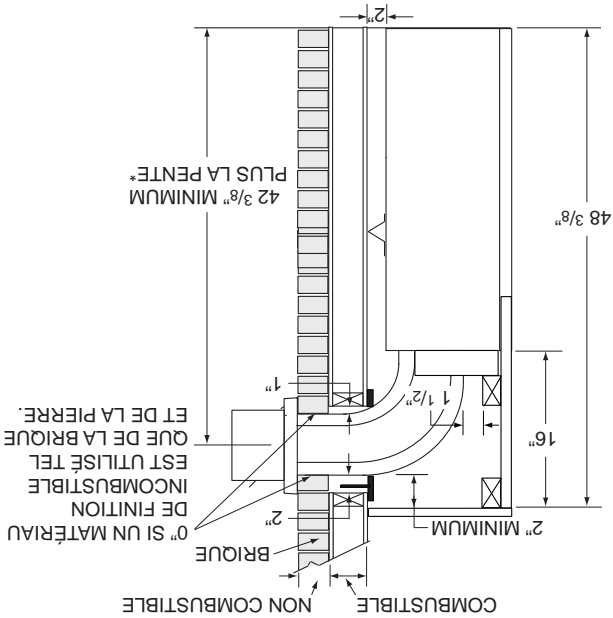
L'enceinte de l'appareil doit avoir une hauteur minimale de 39". Afin de respecter les contraintes de température, l'espace à l'intérieur de l'enceinte, autour de l'appareil et au-dessus, doit demeurer sans obstruction.

* Voir la section « ÉVACUATION ».



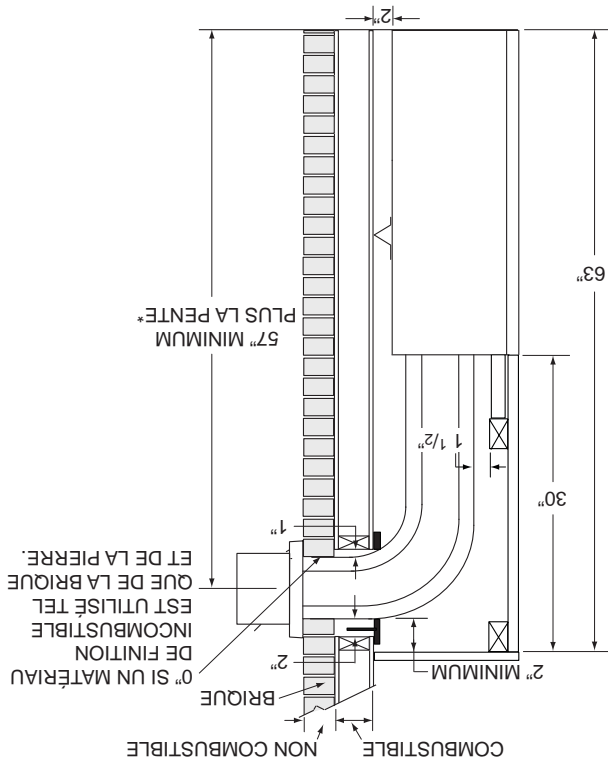
ENCEINTE AVEC ÉVACUATION SUR LE DESSUS

L'enceinte de l'appareil doit avoir une hauteur minimale de 48 3/8". Afin de respecter les contraintes de température, l'espace à l'intérieur de l'enceinte, autour de l'appareil et au-dessus, doit demeurer sans obstruction.



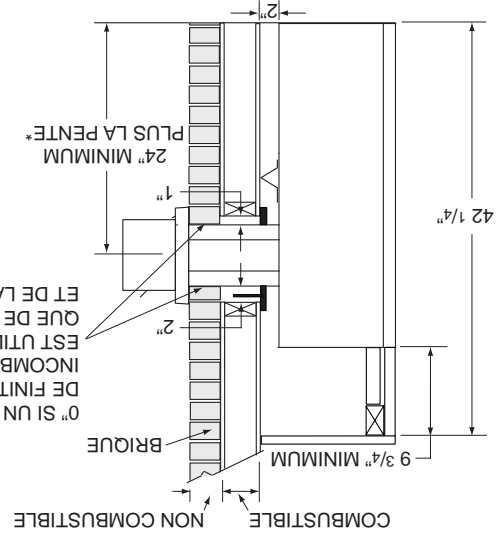
6.3 DÉGAGEMENTS MINIMAUX DE L'ENCEINTE

6.3.1 CDV36



ENCEINTE AVEC ÉVACUATION SUR LE DESSUS

L'enceinte de l'appareil doit avoir une hauteur minimale de 63". Afin de respecter les contraintes de température, l'espace à l'intérieur de l'enceinte, autour de l'appareil et au-dessus, doit demeurer sans obstruction.



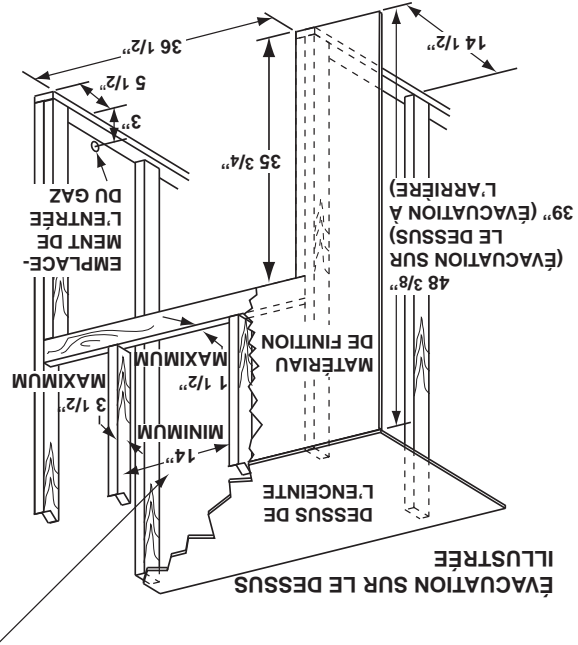
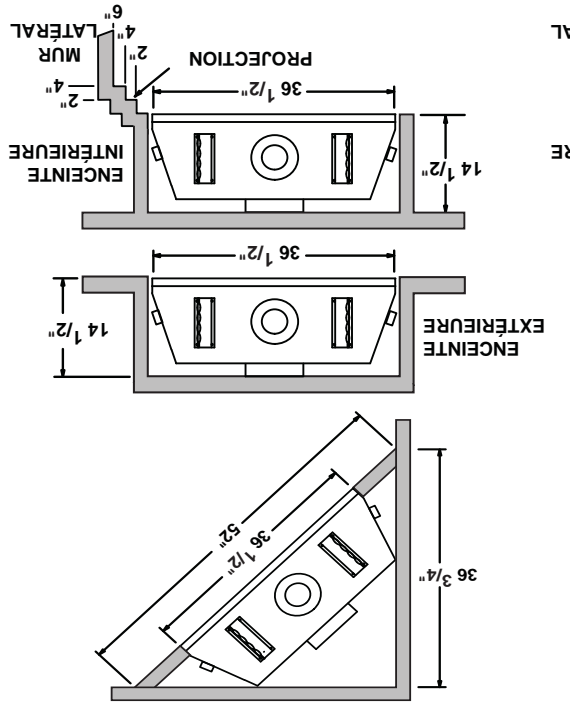
ENCEINTE AVEC ÉVACUATION À L'ARRIÈRE

L'enceinte de l'appareil doit avoir une hauteur minimale de 42 1/4". Afin de respecter les contraintes de température, l'espace à l'intérieur de l'enceinte, autour de l'appareil et au-dessus, doit demeurer sans obstruction.

* Voir la section « ÉVACUATION ».

tion de longueur.

Des éléments combustibles en projection tels que les manteaux et les tablettes peuvent être situés à une distance minimale de 2" du côté de l'appareil. À partir de ce point, la profondeur de tout élément en projection doit être égale ou moindre à la distance du côté de l'appareil jusqu'à une profondeur de 6", après quoi aucun autre dégagement plus grand que 6" n'est requis. Ceci peut être considéré comme un mur latéral sans restric-



AVERTISSEMENT

POUR DES APPLICATIONS AVEC EVACUATION SUR LE DESSUS : NE CONSTRUISEZ RIEN DANS CET ESPACE DE 14 PO DE LARGEUR, CENTRÉ LE LONG DE L'APPAREIL. CET ESPACE DOIT RESTÉ LIBRE AFIN D'OFFRIR UN DÉGAGEMENT ADÉQUAT POUR L'ÉVACUATION. AUCUN MATÉRIAU COMBUSTIBLE N'EST PERMIS.

6.2.1 DIMENSIONS MINIMALES DE L'OSSATURE

W500-0096 (non fourni).

* **SECTIONS D'ÉVÉNEMENTS VERTICALES DU BCDV36** : Un dégagement minimal aux matériaux combustibles de 1" est requis sur toutes les courses verticales à l'exception des dégagements à l'intérieur de l'enceinte de l'appareil. Voir la section « DÉGAGEMENTS MINIMAUX DE L'ENCENTE ». Utilisez l'espaceur coupe-feu

* **SECTIONS D'ÉVÉNEMENTS HORIZONTALES DU BCDV36** : Un dégagement minimal aux matériaux combustibles de 1" au-dessous et sur les côtés de l'évent et de 2" au-dessus doit être maintenu sur toutes les courses horizontales. Utilisez l'espaceur coupe-feu W010-1774 (fourni).

Dégagements minimaux de l'appareil aux matériaux combustibles :	
0"	aux espaceurs
1"	en dessous et sur les côtés du conduit d'évent*
2"	au-dessus du conduit d'évent*
Finition combustible :	
0"	à l'arrière
0"	des côtés et du dessus en façade
14 1/4"	profondeur de l'enclave
Evacuation arrière	
39"	du haut de l'enceinte jusqu'à la base de l'appareil
54"	du plafond jusqu'à la base de l'appareil
Evacuation sur le dessus	
48 3/8"	du haut de l'enceinte jusqu'à la base de l'appareil
54"	du plafond jusqu'à la base de l'appareil

Il est préférable de construire l'ossature après que l'appareil est en place et que le système d'évacuation est installé. Construisez conformément aux exigences des codes du bâtiment locaux. Il n'est pas nécessaire d'installer une base de protection avec ce type d'appareil.

Lorsque vous mettez l'appareil en place, surélevez-le de façon à prévoir l'épaisseur du plancher fini, c.-à-d. tuiles, tapis ou bois franc, car s'ils n'ont pas été prévus, ils nuiront à l'ouverture de la porte d'accès inférieure et à l'installation de plusieurs ensembles de contours.

Les matériaux combustibles peuvent être installés à égalité avec le devant de l'appareil, mais ils ne doivent recouvrir aucune surface peinte en noir du devant de l'appareil. Les matériaux inflammables (briques, pierres, carreaux de céramique) peuvent empêcher sur la partie noire.

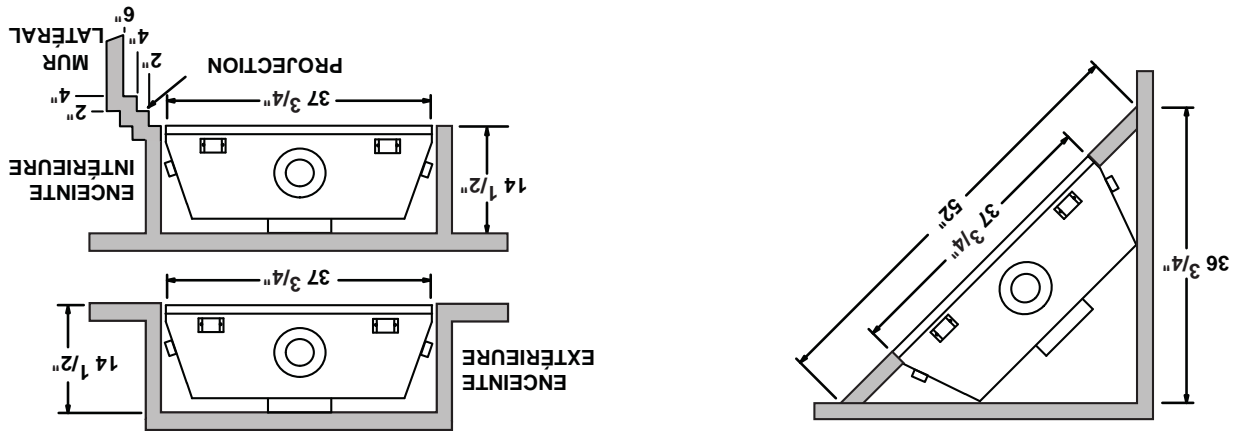
71.1

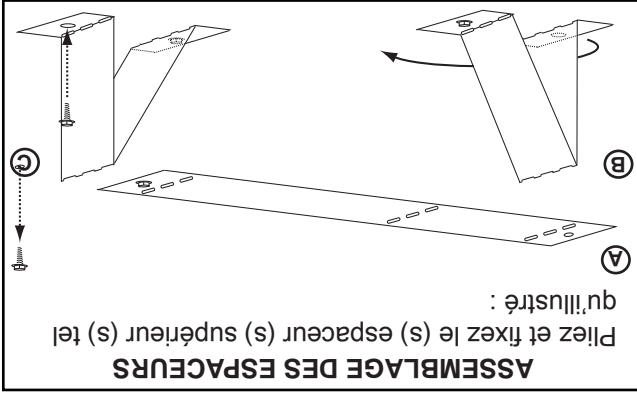
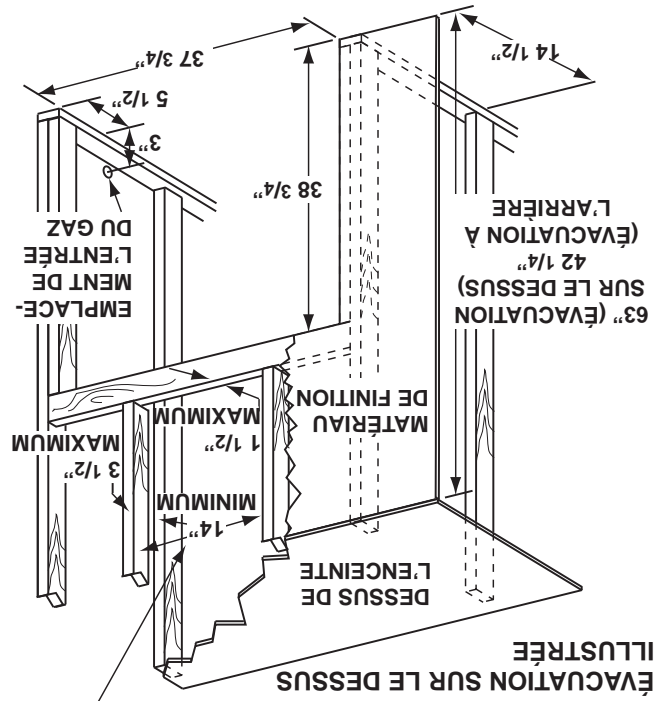
AVERTISSEMENT
RISQUE D'INCENDIE!
<p>AFIN D'ÉVITER LA POSSIBILITÉ QUE DE L'ISOLATION OU UN COUPE-VAPEUR ENTRENT EN CONTACT AVEC L'EXTÉRIEUR DU CAISSON, IL EST CONSEILLÉ D'INSTALLER L'APPAREIL CONTRE DES MURS FINIS (C.-À-D. PANNEAU DE GYPSE) COMME TOUT AUTRE MUR DE LA MAISON. CE CI ASSURERA QUE LE DÉGAGEMENT AUX MATÉRIEAUX COMBUSTIBLES EST MAINTENU.</p> <p>NÉ FAITES PAS D'ENTAILLES À L'OSSATURE AUTOUR DES ESPACEURS. NE PAS MAINTENIR LES DÉGAGEMENTS PEUT CAUSER UNE SURCHAUFFE ET UN INCENDIE. EMPÊCHEZ TOUT CONTACT AVEC DE L'ISOLANT QUI S'AFFAÏSSE, AVEC L'OSSATURE OU AVEC TOUT AUTRE MATÉRIAU COMBUSTIBLE. BLOQUEZ L'ENTRÉE DE L'ENCEINTE POUR EMPÊCHER L'INFILTRATION D'ISOLANT SOUFFLE. ASSUREZ-VOUS QUE L'ISOLATION ET LES AUTRES MATÉRIEAUX SONT BIEN FIXÉS.</p> <p>LORSQUE VOUS CONSTRUISEZ L'ENCEINTE, PRÉVOYEZ L'ÉPAISSEUR DES MATÉRIEAUX DE FINITION POUR MAINTENIR LES DÉGAGEMENTS. SI L'OSSATURE OU LES MATÉRIEAUX DE FINITION SE TROUVENT À UNE DISTANCE INFÉRIEURE À CELLE INDICUÉE, ILS DOIVENT ÊTRE FAITS ENTièrement DE MATÉRIEAUX NON COMBUSTIBLES. LES MATÉRIEAUX FAITS ENTièrement DE D'ACIER, DE FER, DE BRIQUE, DE TUILE, DE BÉTON, D'ARDOISE, DE VÉRRE OU DE PLÂTRE, OU D'UNE COMBINAISON DE CES MATÉRIEAUX, SONT APPROPRIÉS. LES MATÉRIEAUX RÉPONDANT À LA NORME ASTM E 136, MÉTHODE DE TEST STANDARD DU COMPORTEMENT DES MATÉRIEAUX DANS UNE FOURNAISE AVEC TUBÉ VERTICAL À 750 °C, ET À LA NORME UL763 SONT CONSIDÉRÉS COMME ÉTANT DES MATÉRIEAUX NON COMBUSTIBLES.</p> <p>AFIN D'ÉVITER UN RISQUE D'INCENDIE, LES DÉGAGEMENTS MINIMAUX AUX MATÉRIEAUX COMBUSTIBLES DOIVENT ÊTRE MAINTENUS.</p> <p>L'ENCEINTE DE L'APPAREIL DOIT RESPECTER LA HAUTEUR MINIMALE REQUISE. MESUREZ À PARTIR DE LA BASE DE L'APPAREIL.</p> <p>SI DES ENSEMBLES DE MONTANTS EN ACIER AVEC PANNEAU DE CIMENT SONT FOURNIS, ILS DOIVENT ÊTRE INSTALLÉS.</p>

6.2 OSSATURE DU BCDV36

À partir de ce point, la profondeur de tout élément en projection doit être égale ou moindre à la distance du côté de l'appareil jusqu'à une profondeur de 6", après quoi aucun autre dégagement plus grand que 6" n'est requis. Ceci peut être considéré comme un mur latéral sans restriction de longueur.

Des éléments combustibles en projection tels que les manteaux et les tablettes peuvent être situés à une distance minimale de 2" du côté de l'appareil.





AVERTISSEMENT

POUR DES APPLICATIONS AVEC ÉVACUATION SUR LE DESSUS : NE CONSTITUEZ RIEN DANS CET ESPACE DE 14 PO DE LARGEUR, CENTRÉ LE LONG DE L'APPAREIL. CET ESPACE DOIT RESTÉ LIBRE AFIN D'OFFRIR UN DÉGAGEMENT ADEQUAT POUR L'ÉVACUATION. AUCUN MATÉRIAU COMBUSTIBLE N'EST PERMIS.

6.1.1 DIMENSIONS MINIMALES DE L'OSSATURE

W500-0096 (non fourni).

* **SECTIONS D'ÉVÉNEMENTS VERTICALES DU CDV36** : Un dégagement minimal aux matériaux combustibles de 1" est requis sur toutes les courses verticales à l'exception des dégagements à l'intérieur de l'enceinte de l'appareil. Voir la section « DÉGAGEMENTS MINIMAUX DE L'ENCEINTE ». Utilisez l'espaceur coupe-feu

* **SECTIONS D'ÉVÉNEMENTS HORIZONTALES DU CDV36** : Un dégagement minimal aux matériaux combustibles de 1" au-dessous et sur les côtés de l'événement et de 2" au-dessus doit être maintenu sur toutes les courses horizontales. Utilisez l'espaceur coupe-feu W010-1777 (fourni).

Dégagements minimaux de l'appareil aux matériaux combustibles :	
0"	aux espaceurs
1"	en dessous et sur les côtés du conduit d'événement*
2"	au-dessus du conduit d'événement*
Finition combustible :	
0"	à l'arrière
0"	des côtés et du dessus en façade
-	14 1/4" profondeur de l'enclave
Évacuation arrière	
-	42 1/4" du haut de l'enceinte jusqu'à la base de l'appareil
-	54" du plafond jusqu'à la base de l'appareil
Évacuation sur le dessus	
-	63" du haut de l'enceinte jusqu'à la base de l'appareil
-	54" du plafond jusqu'à la base de l'appareil

AVERTISSEMENT

NE RACCORDEZ PAS L'INTER interrupteur mural, le thermostat ou la soupape de gaz à l'alimentation électrique de 110 volts.

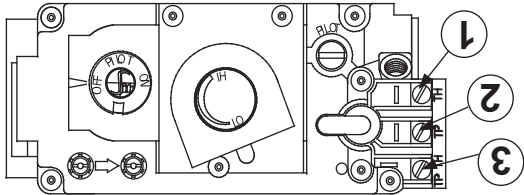
Pour faciliter l'accès, un interrupteur mural ou un thermostat millivoit optionnel peut être installé à un endroit pratique. Passez un fil millivoit à deux brins (noyau solide) de la soupape à l'inter interrupteur mural ou au thermostat millivoit. La longueur maximale dépend du calibre du fil :

DIAMÈTRE DU FIL LONGUEUR MAX.	
calibre 14	100 pieds
calibre 16	60 pieds
calibre 18	40 pieds

Déconnectez les fils des bornes 1 et 3 de l'inter interrupteur

et remplacez-les par les fils de l'inter interrupteur mural/thermostat millivoit.

50.1



6.0 OSSATURE

6.1 OSSATURE DU CDV36

AVERTISSEMENT

RISQUE D'INCENDIE!

AFIN D'ÉVITER LA POSSIBILITÉ QUE DE L'ISOLATION OU UN COUPE-VAPEUR ENTRENT EN CONTACT AVEC L'EXTÉRIEUR DU CAISSON, IL EST CONSEILLÉ D'INSTALLER L'APPAREIL CONTRE DES MURS FINIS (C.-A-D. PANNEAU DE GYPSE) COMME TOUT AUTRE MUR DE LA MAISON. CE CI ASSURERA QUE LE DÉGAGEMENT AUX MATÉRIEAUX COMBUSTIBLES EST MAINTENU.

NÉ FAITES PAS D'ENTAILLES À L'OSSATURE AUTOUR DES ESPACEURS. NE PAS MAINTENIR LES DÉGAGEMENTS PEUT CAUSER UNE SURCHAUFFE ET UN INCENDIE. EMPÊCHEZ TOUT CONTACT AVEC DE L'ISOLANT QUI S'AFFAÏSSE, AVEC L'OSSATURE OU AVEC TOUT AUTRE MATÉRIAU COMBUSTIBLE. BLOQUEZ L'ENTRÉE DE L'ENCAINTE POUR EMPÊCHER L'INFILTRATION D'ISOLANT SOUFFLE. ASSUREZ-VOUS QUE L'ISOLATION ET LES AUTRES MATÉRIEAUX SONT BIEN FIXÉS.

LORSQUE VOUS CONSTRUISEZ L'ENCAINTE, PRÉVOYEZ L'ÉPAISSEUR DES MATÉRIEAUX DE FINITION POUR MAINTENIR LES DÉGAGEMENTS. SI L'OSSATURE OU LES MATÉRIEAUX DE FINITION SE TROUVENT À UNE DISTANCE INFÉRIEURE À CELLE INDICUÉE, ILS DOIVENT ÊTRE FAITS ENTièrement DE MATÉRIEAUX NON COMBUSTIBLES. LES MATÉRIEAUX FAITS ENTièrement D'ACIER, DE FER, DE BRIQUE, DE TUILE, DE BÉTON, D'ARDOISE, DE VERRRE OU DE PLÂTRE, OU D'UNE COMBINAISON DE CES MATÉRIEAUX, SONT APPROPRIÉS. LES MATÉRIEAUX RÉPONDANT À LA NORME ASTM E 136, MÉTHODE DE TEST STANDARD DU COMPORTEMENT DES MATÉRIEAUX DANS UNE FOURNAISE AVEC TUBÉ VERTICAL À 750 °C, ET À LA NORME UL763 SONT CONSIDÉRÉS COMME ÉTANT DES MATÉRIEAUX NON COMBUSTIBLES.

AFIN D'ÉVITER UN RISQUE D'INCENDIE, LES DÉGAGEMENTS MINIMAUX AUX MATÉRIEAUX COMBUSTIBLES DOIVENT ÊTRE RESPECTÉS LA HAUTEUR MINIMALE REQUISE. MESUREZ À PARTIR DE LA BASE DE L'APPAREIL.

SI DES ENSEMBLES DE MONTANTS EN ACIER AVEC PANNEAU DE CIMENT SONT FOURNIS, ILS DOIVENT ÊTRE INSTALLÉS.

71.1

Il est préférable de construire l'ossature après que l'appareil est en place et que le système d'évacuation est installé. Construisez conformément aux exigences des codes du bâtiment locaux.

Il n'est pas nécessaire d'installer une base de protection avec ce type d'appareil.

Lorsque vous mettez l'appareil en place, surélevez-le de façon à prévoir l'épaisseur du plancher fini, c.-à-d. tuiles, tapis ou bois franc, car s'ils n'ont pas été prévus, ils nuiront à l'ouverture de la porte d'accès inférieure et à l'installation de plusieurs ensembles de contours.

Les matériaux combustibles peuvent être installés à égalité avec le devant de l'appareil, mais ils ne doivent recouvrir aucune surface peinte en noir du devant de l'appareil. Les matériaux incombustibles (briques, pierres, carreaux de céramique) peuvent empêcher sur la partie noire.

Cet appareil est certifié pour être installé comme équipement d'origine (CEM) dans une maison préfabriquée ou une maison mobile. Son installation doit être effectuée en respectant les directives du fabricant et le Manufactured Home Construction and Safety Standard, Title 24 CFR, Part 3280, aux États-Unis, ou les normes actuelles pour les maisons mobiles, CAN/CSA Z240 SÉRIE MH, au Canada. Cet appareil ne doit être utilisé qu'avec le type de gaz indiqué sur la plaque d'homologation. Un ensemble de conversion est fourni avec l'appareil pour maison mobile.

Cet appareil homologué pour les maisons mobiles et préfabriquées possède des éléments de fixation. L'appareil est muni de deux trous de 1/2" de diamètre, situés aux coins avant, gauche et droit de la base. Lors d'une installation dans une maison mobile, l'appareil doit être fixé au plancher. Fixez à l'aide de vis #10 à tête hexagonale insérées dans les trous de la base. Étiquez toujours la veilleuse et l'alimentation en gaz à la source avant de déplacer la maison mobile. Après avoir déplacé la maison mobile et avant d'allumer l'appareil, assurez-vous que les bûches sont placées correctement.

Cet appareil est certifié pour être installé dans une maison mobile installée de façon permanente, sauf si les codes locaux l'interdisent. Cet appareil ne doit être utilisé qu'avec le type de gaz indiqué sur la plaque d'homologation. On ne peut utiliser cet appareil avec d'autres types de gaz, sauf si un ensemble de conversion certifié est utilisé.

Ensembles de conversion
L'appareil pour maison mobile peut être converti au gaz naturel (GN) ou au propane (PL). Pour effectuer une conversion, veuillez consulter votre détaillant autorisé.

AVERTISSEMENT	
RISQUE D'INCENDIE, D'EXPLOSION OU D'ASPHYXIE. ASSUREZ-VOUS QU'IL N'Y AIT AUCUNE SOURCE D'ALLUMAGE COMME DES ÉTINCELLES OU UNE FLAMME NUE.	
SOUTENEZ LE CONTRÔLE DU GAZ LORSQUE VOUS ATTACHEZ LE TUYAU POUR ÉVITER DE PLIER LA CONDUITE DE GAZ.	
ALLUMEZ TOUJOURS LA VEILLEUSE, QUE CE SOIT POUR LA PREMIÈRE FOIS OU LORSQUE L'APPROVISIONNEMENT EN GAZ EST ÉPUISÉ, AVEC LA PORTE VITRÉE OUVERTE OU RETIRÉE. LA PURGE DOIT ÊTRE EFFECTUÉE PAR UN TECHNICIEN QUALIFIÉ. ASSUREZ-VOUS QUE L'ARRIVÉE DE GAZ AU BRÛLEUR EST CONTINUE AVANT DE FERMER LA PORTE. ASSUREZ-VOUS D'UNE VENTILATION ADEQUATE. POUR LES EMPLACEMENTS DE L'ENTRÉE DU GAZ ET DE L'ENTRÉE ÉLECTRIQUE, VOIR LA SECTION « DIMENSIONS ».	
LORSQUE LE BRANCHEMENT EST TERMINÉ, TOUS LES RACCORDS DE GAZ DOIVENT SE TROUVER À L'INTÉRIEUR DU FOYER.	
LES PRESSIONS ÉLEVÉES ENDOMMAGERONT LA SOUPAPE. L'ALIMENTATION EN GAZ DOIT ÊTRE DÉBRANCHÉE PENDANT LES ESSAIS DE PRESSION DE CE SYSTÈME LORSQUE LES PRESSIONS D'ESSAI EXCÈDENT 1/2 LB/PO² (3,5 KPA).	
LES RÉGLAGES DE LA SOUPAPE ONT ÉTÉ FAITS EN USINE; NE LES MODIFIEZ PAS.	

L'installation et l'entretien doivent être effectués par un installateur qualifié. Mettez l'appareil en place et fixez-le.

- A.** Si l'appareil est muni d'un raccord flexible, celui-ci est conçu pour recevoir une conduite de gaz de 1/2". Sans raccord flexible, l'appareil est conçu pour recevoir une conduite de gaz de 3/8". L'appareil est muni d'une soupape d'arrêt manuelle pour fermer l'alimentation en gaz.
- B.** Branchez le gaz en conformité avec les codes locaux. En l'absence de codes locaux, l'installation doit être conforme au Code d'installation du gaz CAN/CSA-B149.1 dans sa version pour le Canada ou le National Fuel Gas Code, ANSI Z223.1 / NFPA 54 pour les États-Unis.
- C.** Lorsque vous manipulez des conduites de gaz, soutenez la soupape de gaz pour éviter que les conduites ne se plient.
- D.** Le raccord flexible de l'alimentation en gaz devrait être suffisamment mobile pour permettre de placer l'assemblage du brûleur sur le côté.
- E.** Vérifiez pour des fuites de gaz en appliquant une solution d'eau savonneuse. **N'utilisez pas une flamme nue.**

AVERTISSEMENT

RISQUE D'INCENDIE!

LES CONFIGURATIONS D'ÉVACUATION COAXIALES À COLINÉAIRES NE DOIVENT ÊTRE UTILISÉES QUE DANS UNE CHEMINÉE OU UNE ENCEINTE DE NATURE INCOMBUSTIBLE. UNE INSTALLATION DANS UNE ENCEINTE COMBUSTIBLE PEUT CAUSER UN INCENDIE.

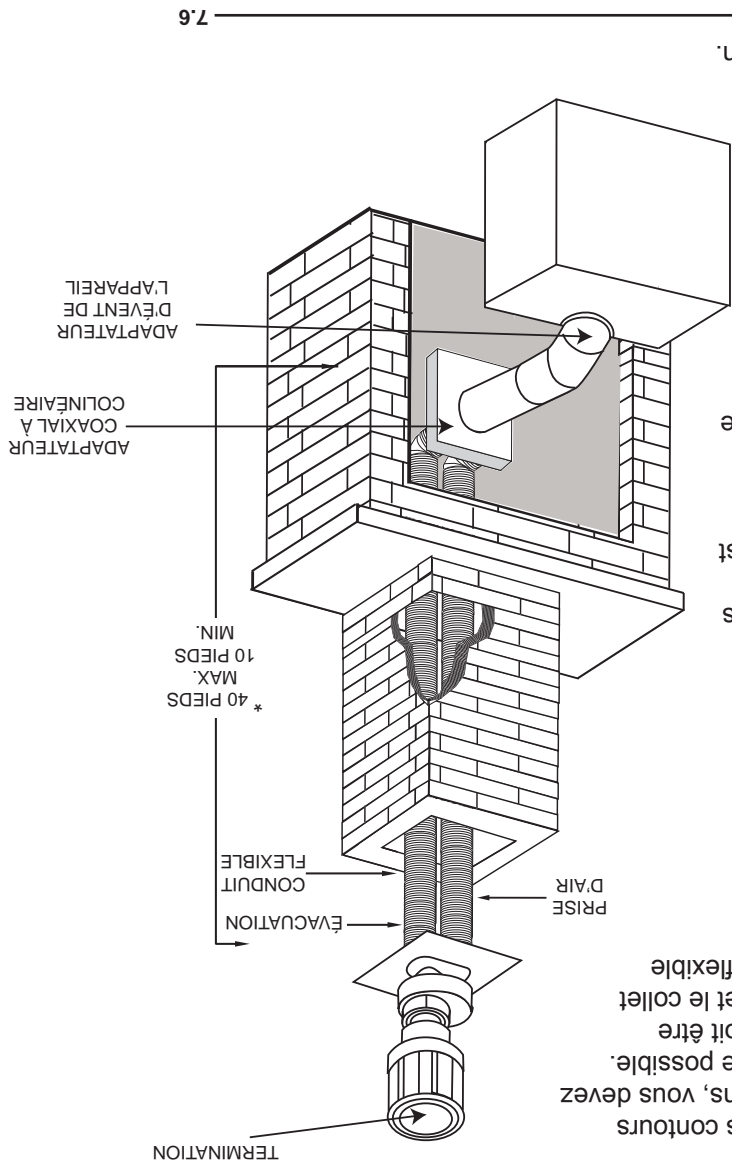
Cet appareil est conçu pour être raccordé à un système d'évent flexible colinéaire de 3" en aluminium se prolongeant sur toute la longueur de la cheminée de maçonnerie.

Les conduits flexibles s'adaptent à tous les contours d'une cheminée de maçonnerie. Néanmoins, vous devez garder les conduits flexibles aussi droit que possible. Le collet de prise d'air de la terminaison doit être raccordé au conduit flexible de prise d'air et le collet d'évacuation de la terminaison au conduit flexible d'évacuation.

Les adaptateurs colinéaire à coaxial Simpson Duravent et Selkirk sont approuvés pour cet appareil (**NOTE**) **Un adaptateur d'évent sera nécessaire directement à partir de l'appareil.** Suivez les instructions d'installation du fabricant du système d'évacuation.

Des composants d'évacuation de différents fabricants ne doivent pas être combinés. Une fois que l'adaptateur de votre choix est installé, le reste du système d'évacuation doit provenir du même fabricant. La seule exception à cette règle est l'usage du système de conduit flexible de 3" et de terminaison colinéaire Wolf Steel.

* Mesurée à partir de la buse de l'appareil jusqu'au collet de la terminaison.



7.6

5.3.3 INSTALLATION DE LA TERMINAISON VERTICALE

NOTE : Avant de fixer les coudes aux collets à l'arrière de l'appareil, enlevez 1 1/2" au collet de 4". Raccordez les coudes de 4" et 7" à l'appareil et fixez-les à l'aide de trois vis. Scellez les joints et les têtes de vis avec du scellant à haute température. Passez ensuite à l'étape A

ÉVACUATION SUR LE DESSUS :

A. Mettez l'appareil en place. Fixez le support de toit à l'aide des vis fournies. Le support de toit est optionnel. Dans ce cas, les événements doivent être supportés adéquatement soit en utilisant une méthode alternative se conformant aux normes des autorités compétentes, soit en utilisant le support de toit optionnel.

B. Appliquez du scellant à haute température W573-0007 (non fourni) sur le rebord extérieur du manchon intérieur de la terminaison. Glissez la bague d'accouplement sur au moins 2" du manchon et fixez-la à l'aide de trois vis.

C. Appliquez du scellant à haute température W573-0002 (non fourni) sur le rebord extérieur du manchon extérieur du connecteur de terminaison. Glissez la bague d'accouplement extérieure sur le manchon et fixez comme auparavant. Taillez la bague d'accouplement intérieure à l'extrémité de la bague d'accouplement intérieure.

D. Faites passer le montage du connecteur de terminaison/conduits d'événement à travers le support de toit. Fixez le montage de terminaison au support de toit en vous assurant que la section de terminaison excède le toit d'au moins 16" une fois fixée. Si l'espace du grenier est restreint, nous recommandons de visser le collet de conduit d'évacuation Wolf Steel ou l'équivalent sans serrer sur le montage du connecteur de terminaison/conduits d'événement lorsqu'il est passé à travers le grenier. Le connecteur de terminaison doit être vertical et d'aplomb. Enlevez les clous des bardeaux sur le dessus et les côtés du connecteur de terminaison. Placez le solin par-dessus le connecteur de terminaison et glissez-le sous les côtés et le bord supérieur des bardeaux. Assurez-vous que le connecteur de terminaison est bien centré dans le solin, en laissant une marge de 3/4" tout autour. Fixez-le au toit. **NE clouez PAS à travers la partie inférieure du solin.** Imperméabilisez-le en le scellant avec du calfeutrage. Si possible, recouvrez les côtés et le bord supérieur du solin avec des matériaux de couverture.

E. Appliquez un joint de scellant à haute température W573-0007 (non fourni) sur le rebord extérieur du manchon intérieur de l'appareil. Glissez le manchon télescopique sur au moins 2" par-dessus le coudé intérieur. Appliquez un joint de scellant à haute température W573-0007 (non fourni) sur le côté extérieur du manchon télescopique intérieur à la dernière section du conduit rigide. Fixez-le avec des vis et scellez.

F. Procédez de la même façon en utilisant le manchon télescopique extérieur. Procédez de la même façon avec trois vis. Procédez de la même façon avec le manchon télescopique extérieur.

G. Appliquez un joint de scellant à haute température W573-0007 (non fourni) sur le côté extérieur du manchon télescopique intérieur à la dernière section du conduit rigide. Fixez-le avec des vis et scellez.

H. Appliquez un joint de scellant à haute température W573-0007 (non fourni) sur le côté extérieur du manchon télescopique intérieur à la dernière section du conduit rigide. Fixez-le avec des vis et scellez.

I. Procédez de la même façon en utilisant le manchon télescopique extérieur. Procédez de la même façon avec trois vis. Procédez de la même façon avec le manchon télescopique extérieur.

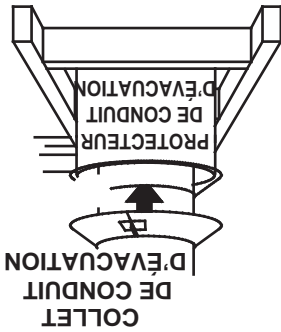
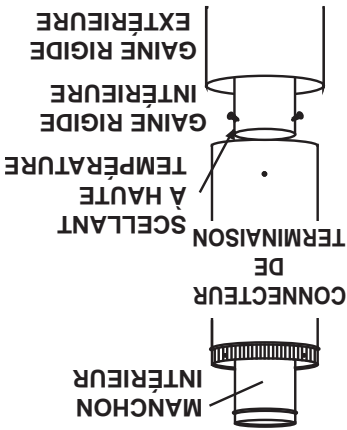
J. Appliquez un joint de scellant à haute température W573-0007 (non fourni) sur le côté extérieur du manchon télescopique intérieur de l'appareil. Glissez le manchon télescopique sur une longueur d'au moins 2" par-dessus le collet. Fixez avec trois vis. Procédez de la même façon avec le manchon télescopique extérieur.

K. Dans le grenier, faites glisser le collet de conduit d'évacuation vers le bas afin de recouvrir l'extrémité ouverte du protecteur de conduit d'évacuation et serrez. Ceci empêchera tout matériau, tel que l'isolant, de remplir l'espace vide de 1" autour de l'événement.

5.3.4 ÉTRANGLEMENT DES ÉVÉNEMENTS VERTICAUX DU CDV36

27.1

Les configurations d'évacuation verticales de plus de 15 pieds peuvent avoir une flamme très active. Si cette apparence n'est pas désirée, la sortie du conduit d'évacuation doit être réduite en utilisant la plaque de restriction RP-KT. Ceci diminuera la vélocité des gaz de combustion, ralentissant ainsi le mouvement de la flamme et créant une apparence plus traditionnelle. Les instructions sont incluses avec l'ensemble.



5.3 UTILISATION DE COMPOSANTS RIGIDES D'ÉVACUATION

Le système d'évacuation doit être soutenu à peu près tous les 3 pieds de courses verticales et horizontales. Utilisez l'ensemble de support mural Wolf Steel ou des supports incombustibles équivalents afin de conserver le dégagement minimal aux matériaux combustibles pour les courses verticales et horizontales.

Tous les joints des conduits intérieurs et extérieurs peuvent être scellés avec du scellant de silicone rouge à haute température W573-0002 (non fourni) ou du scellant noir à haute température Milll Pac W573-0007 (non fourni) à l'exception du raccordement du conduit d'évacuation à la buse de l'appareil qui doit être scellé avec le scellant Milll Pac.

5.3.1 INSTALLATION DE LA TERMINAISON HORIZONTALE

AVERTISSEMENT

RISQUE D'INCENDIE. ÉVITEZ QUE L'ISOLANT TOUCHE AU CONDUIT D'ÉVACUATION. RETIREZ L'ISOLANT POUR PERMETTRE L'INSTALLATION DE L'ÉCRAN PROTECTEUR DU GRENIER ET POUR MAINTENIR LES DÉGAGEMENTS AUX MATÉRIAUX COMBUSTIBLES.

A. Mettez l'appareil en place. Mesurez la longueur

d'évent requise entre la terminaison et l'appareil

en tenant compte de la longueur supplémentaire

nécessaire pour la surface du mur fini et tout

chevauchement de 1 ¼" entre les composants

d'évacuation.

B. Appliquez du scellant à haute température

W573-0007 (non fourni) sur le rebord extérieur

du collet intérieur de l'appareil. Installez le premier

évent et fixez-le en utilisant 3 vis autopercuses.

Procédez de la même façon avec l'évent rigide exté-

rieur.

C. Insérez les deux événements dans l'espaceur coupe-feu, en respectant les dégagements aux combustibles

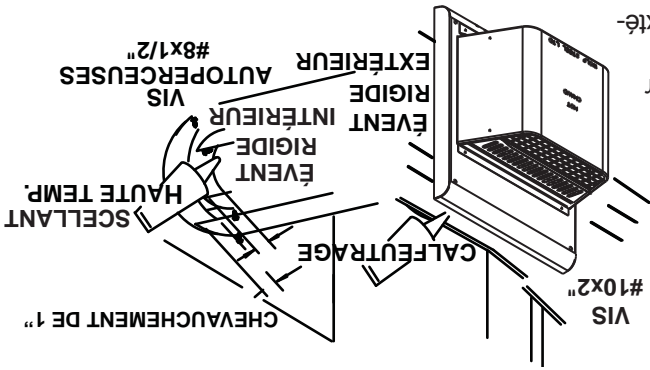
requis. En soutenant la terminaison (les inscriptions étant à l'étroit et lisibles), fixez-la au mur extérieur et

rendez-la étanche en la scellant avec du caiffeurage (non fourni).

La plaque de montage de la terminaison peut être enchâssée dans le mur ou le revêtement extérieur, sans

excéder l'épaisseur de la bride.

26.1



5.3.2 INSTALLATION DE LA TERMINAISON HORIZONTALE PROLONGÉE AJUSTABLE

Une installation en coin de 45° peut avoir une élévation de 0" entre le collet d'air de combustion de l'appareil et la terminaison. Dans ce cas, les longueurs de l'évent ne doivent pas dépasser 24". Pour des longueurs d'évent horizontales plus grandes, une élévation verticale d'un minimum de 24" est requise.

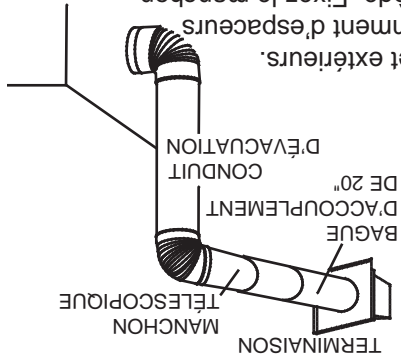
A. Suivez les instructions aux étapes A à C dans « Installation de la terminaison horizontale ».

B. Continuez d'ajouter des composants en alternant les conduits intérieurs et extérieurs. Assurez-vous que tous les conduits intérieurs et les coudes aient suffisamment d'espaces et que chaque composant est scellé et fixé solidement à celui qui le précède. Fixez le manchon télescopique à la course de l'évent. Fixez solidement et scellez. Pour faciliter l'achèvement, fixez des bagues d'accouplement intérieures et extérieures à la terminaison.

C. Installez la terminaison. Voir l'étape 3 dans « Installation de la terminaison horizontale ». Étirez le manchon télescopique extérieur et raccordez-le à la terminaison. Fixez le manchon avec des vis auto-

perçuses et scellez.

48.2



5.2.2 INSTALLATION DE LA TERMINAISON VERTICALE

AVERTISSEMENT
 CONSERVEZ UN ESPACE MINIMAL DE 2" ENTRE LA BASE DE LA PRISE D'AIR ET LE COLLET DE SOLIN.

A. Fixez le support de toit au toit à l'aide des vis fournies. Le support

de toit est optionnel. Dans ce cas, l'évent doit être supporté adéquatement soit en utilisant une méthode alternative se conformant aux normes des autorités compétentes, soit en utilisant le support de toit optionnel.

B. Étirez la gaine flexible intérieure à la longueur requise.

Glissez la gaine flexible intérieure sur le manchon

intérieur du connecteur de terminaison en assurant un

#8. Scellez en appliquant un généreux joint de scellant à

haute température W573-0007 (non fourni).

C. Installez la gaine flexible extérieure de la même façon et

scellez en appliquant un généreux joint de scellant à haute

température W573-0002 (non fourni).

D. Faites passer le montage du connecteur de terminaison/gaines

flexibles à travers le toit. La terminaison doit être verticale et

d'aplomb. Fixez le connecteur de terminaison au support de toit en

vous assurant que le dessus de la terminaison excède le côté le plus

élevé du toit d'au moins 16" une fois fixée.

E. Enlevez les clous des bardeaux sur le dessus et les côtés du

connecteur de terminaison. Placez le solin par-dessus le connecteur

de terminaison en laissant un minimum de 3/4" de connecteur de

terminaison visible au-dessus du haut du solin. Glissez le solin sous

les côtés et le bord supérieur des bardeaux. Assurez-vous que le

connecteur de terminaison est bien centré dans le solin, en laissant

une marge de 3/4" tout autour. Fixez-le au toit. Ne clouez pas à

travers la partie inférieure du solin. Imperméabilisez-le en le scellant

avec du calfeutrage. Si possible, recouvrez les côtés et le bord

supérieur du solin avec des matériaux de couverture.

F. Alignez les joints de la terminaison et du connecteur de

terminaison et placez la terminaison par-dessus le connecteur

de terminaison en vous assurant que le manchon pénètre

dans le trou de la terminaison. Fixez à l'aide des trois vis

fournies.

G. Appliquez un généreux joint de calfeutrage à l'épreuve de

l'eau à 2" au-dessus du solin. Installez le collet de solin autour

de la terminaison et glissez-le jusqu'à la ligne de calfeutrage.

Serrez afin d'assurer l'étanchéité entre la terminaison et le

collet.

H. Si plus de sections de gaine doivent être utilisées pour

atteindre l'appareil, voir la section « INSTALLATION DE LA

TERMINAISON HORIZONTALE ».

5.2.3 RACCORDEMENT DES ÉVENTS À L'APPAREIL

A. Raccordez la gaine flexible de 8" de diamètre à l'appareil.

Fixez-la à l'aide de trois vis et de trois rondelles. Scellez le

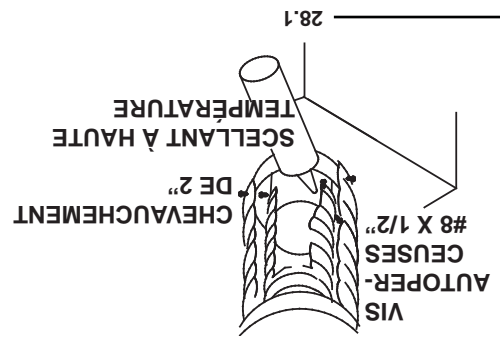
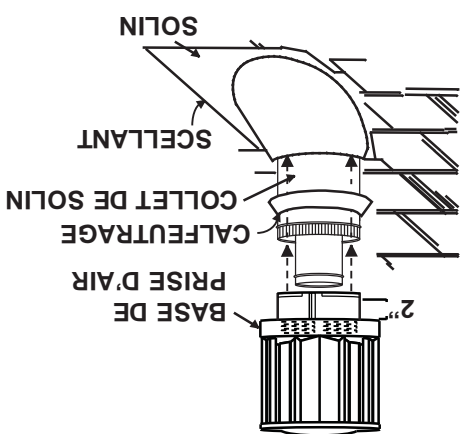
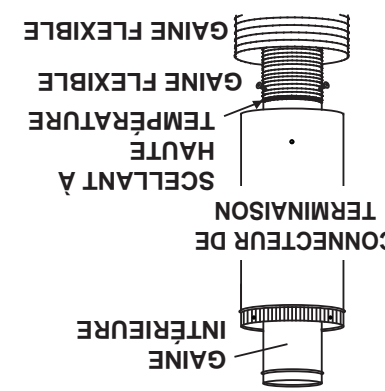
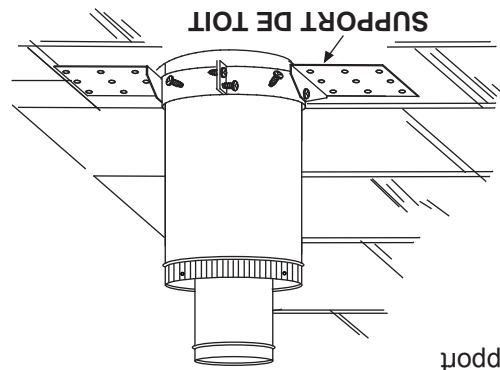
joint et les têtes de vis avec le scellant à haute température

W573-0007 (non fourni).

B. Raccordez la gaine flexible de 10" de diamètre à l'appareil.

Fixez et scellez les joints avec le scellant à haute tempéra-

ture W573-0002 (non fourni).



AVERTISSEMENT

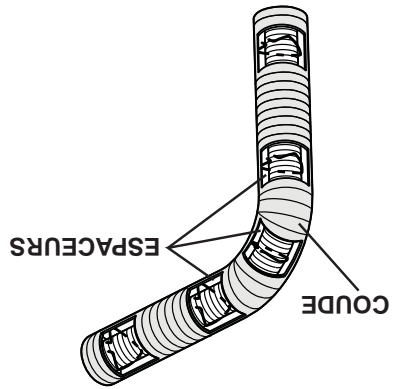
NE LAISSEZ PAS LA GAINE FLEXIBLE SE TASSER CONTRE LES COURSES HORIZONTALES OU VERTICALES ET LES COUDES. GARDEZ-LA TENDUE.

DES ESPACEURS SONT FIXÉS À LA GAINE FLEXIBLE À INTERVALLES PRÉDÉTERMINÉS AFIN DE GARDER UN ESPACE VIDE AVEC LE CONDUIT EXTÉRIEUR. POUR QUE LE FONCTIONNEMENT SOIT SÉCURITAIRE, UN ESPACE VIDE EST REQUIS. UN ESPACEUR EST REQUIS AU DÉBUT, AU MILIEU ET À LA FIN DE CHAQUE COURSE AFIN DE MAINTENIR CET ESPACE VIDE. N'ENLEVEZ PAS CES ESPACEURS.

Afin d'assurer une opération sécuritaire et adéquate de l'appareil, vous devez observer les instructions d'évacuation à la lettre.

Tous les joints des conduits flexibles intérieurs et extérieurs peuvent être scellés avec le scellant à haute température W573-002 (non fourni) ou du scellant à haute température Mill Pac W573-007 (non fourni). Cependant, le raccordement du conduit flexible intérieur à la buse de l'appareil doit être scellé avec le scellant Mill Pac W573-007 (non fourni).

N'utilisez que les ensembles certifiés de gaines flexibles portant l'inscription :

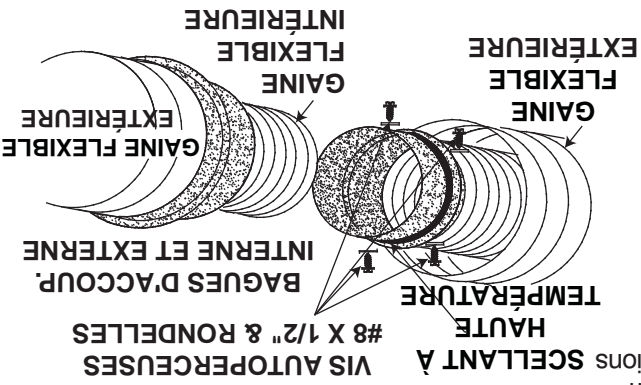
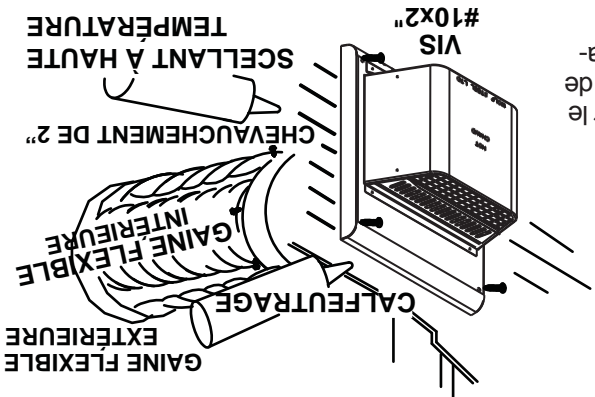


« Wolf Steel Approved Venting » tel qu'estampillée sur la gaine flexible extérieure.

22.1

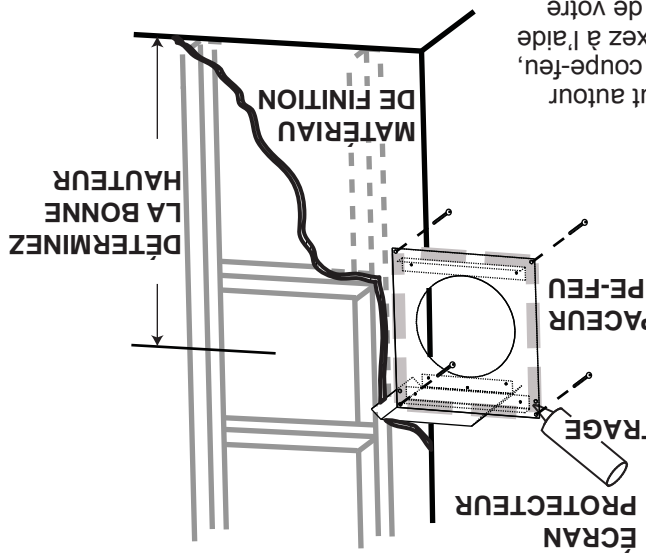
5.2.1 INSTALLATION DE LA TERMINAISON HORIZONTALE

- A. Étirez la gaine flexible intérieure à la longueur requise en tenant compte de la longueur supplémentaire pour la surface du mur fini. Appliquez un généreux joint de scellant à haute température W573-007 Mill Pac (non fourni). Glissez la gaine flexible sur le manchon intérieur de la terminaison en assurant un chevauchement minimal de 2" et fixez à l'aide de trois vis #8.
- B. Installez la gaine flexible extérieure en la glissant sur le manchon extérieur de la terminaison et fixez à l'aide de trois vis #8. Scellez avec du scellant à haute température W573-002 (non fourni).
- C. Insérez les gaines dans le coupe-feu tout en conservant le dégagement nécessaire aux matériaux combustibles. En soutenant la terminaison (les inscriptions étant à l'endroit et lisibles), fixez la terminaison au mur extérieur et rendez-la étanche en la scellant avec du caiffeurage (non fourni).
- D. Si plus de sections de gaine doivent être utilisées pour atteindre l'appareil, raccordez-les ensemble tel qu'illustré. Le système d'évacuation doit être soutenu à environ tous les 3 pieds pour les courses verticales et horizontales. Utilisez des supports incombustibles afin de maintenir le dégagement minimal de 1 po avec les matériaux combustibles.



Les terminaisons ne doivent pas être enchâssées dans un mur ou un revêtement extérieur plus que l'épaisseur de la plaque de montage.

! AVERTISSEMENT
 L'ESPACEUR COUPE-FEU DOIT ÊTRE INSTALLÉ AVEC L'ÉCRAN PROTECTEUR ORIENTÉ VERS LE HAUT.
 LA TERMINAISON NE DOIT PAS ÊTRE ENCHÂSSÉE DANS LE MUR OU LE REVÊTEMENT EXTÉRIEUR
 PLUS QUE L'ÉPAISSEUR DE LA BRIDE DE LA PLAQUE DE MONTAGE.

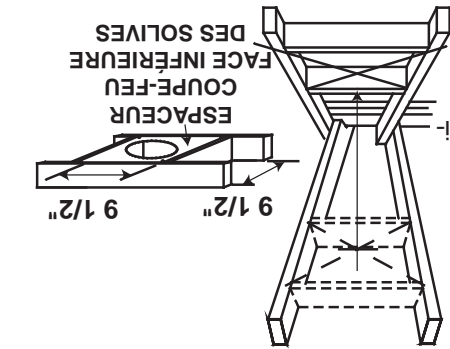


Cette configuration s'applique lorsque le conduit d'évent traverse un mur extérieur. Une fois que vous aurez déterminé la hauteur exacte pour l'emplacement de la terminaison, découpez et charpentez une ouverture dans le mur extérieur (comme illustré) pour permettre l'installation de l'espaceur coupe-feu. Avant de continuer, placez l'espaceur coupe-feu dans l'ouverture pour vous assurer que les supports sur la surface arrière soient placés contre la face intérieure de la pièce de charpente horizontale. L'écran protecteur peut-être taillé pour des murs combustibles qui ont moins de 8 1/2" de profond, mais doit se prolonger sur toute la profondeur du mur combustible.

A. Appliquez un joint de calfeutrage (non fourni) tout autour de la bordure de la face intérieure de l'espaceur coupe-feu, installez l'espaceur coupe-feu contre le trou et fixez à l'aide des quatre vis W570-0026 (fournies dans le sac de votre manuel).

B. Une fois que le conduit d'évent est en place, appliquez du scellant à haute température W573-0007 (non fourni) entre le conduit d'évent et l'espaceur coupe-feu.

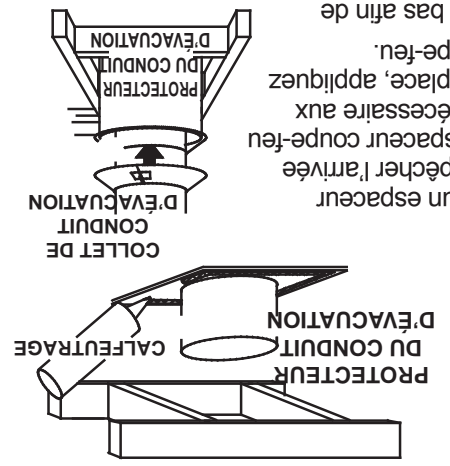
5.1.3 INSTALLATION VERTICALE



Cette configuration s'applique lorsque l'évacuation se fait à travers un toit. Des ensembles d'installation pour les différentes pentes de toit sont disponibles chez votre détaillant autorisé. Voir la section « Accessoires » pour commander l'ensemble spécifique dont vous avez besoin.

A. Une fois que vous aurez déterminé l'emplacement de la terminaison, découpez et charpentez une ouverture dans le plafond et le toit pour laisser le dégagement minimal de 1" entre le conduit d'évent et tout matériau combustible. Essayez de positionner le conduit d'évent à mi-chemin entre deux solives pour ne pas être obligé de les couper. Utilisez du fil à plomb pour aligner le centre des ouvertures. Un protecteur de conduit d'évacuation empêchera tout matériau, tel que l'isolant, de remplir l'espace vide de 1" autour de l'évent. Fixez des entretoises entre les solives pour assurer un support additionnel.

B. Appliquez un joint de calfeutrage (non fourni) sur la charpente ou sur le protecteur de conduit (dans le cas d'un plafond fini) et fixez le protecteur de conduit d'évacuation de façon à recouvrir l'ouverture dans le plafond. Un espaceur coupe-feu doit être fixé à la base de chaque ouverture charpentée dans un toit ou un plafond par lequel traverse le système d'évacuation. Appliquez un joint de calfeutrage tout autour et placez un espaceur coupe-feu par-dessus le protecteur de conduit d'évacuation pour empêcher l'arrivée d'air froid dans la pièce ou autour de l'appareil. Assurez-vous que l'espaceur coupe-feu et le protecteur de conduit d'évacuation conservent le dégagement nécessaire aux matériaux combustibles. Une fois que le conduit d'évacuation est en place, appliquez un agent d'étanchéité entre le conduit d'évacuation et l'espaceur coupe-feu. Dans le grenier, faites glisser le collet de conduit d'évacuation vers le bas afin de recouvrir l'extrémité ouverte du protecteur de conduit d'évacuation et serrez. Ceci empêchera tout matériau, tel que l'isolant, de remplir l'espace vide de 1 po autour de l'évent.



C. Dans le grenier, faites glisser le collet de conduit d'évacuation vers le bas afin de recouvrir l'extrémité ouverte du protecteur de conduit d'évacuation et serrez. Ceci empêchera tout matériau, tel que l'isolant, de remplir l'espace vide de 1 po autour de l'évent.

AVERTISSEMENT

NE REMPLISSEZ L'ESPACE ENTRE LE CONDUIT D'ÉVENT ET LA CHARPENTE AVEC AUCUN TYPE DE MATÉRIAU. NE BOURREZ PAS D'ISOLANT NI DE MATÉRIAUX COMBUSTIBLES ENTRE LES ESPACEURS COUPE-FEU DU PLAFOND. CONSERVEZ TOUJOURS LES DÉGAGEMENTS RÉQUIS AUTOUR DES CONDUITS D'ÉVENT ET L'ASSEMBLAGE DE L'ESPACEUR COUPE-FEU. INSTALLEZ LES ÉCRANS MURAUX ET LES ESPACEURS COUPE-FEU TEL QUE SPÉCIFIÉ. SI VOUS NE GARDEZ PAS L'ISOLANT OU TOUT AUTRE MATÉRIAU À L'ÉCART DU CONDUIT D'ÉVENT, UN RISQUE D'INCENDIE POURRAIT S'ENSUIVRE.

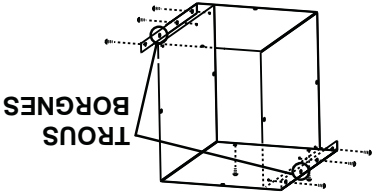
70.1

Pour les dégagements du conduit d'évent aux matériaux combustibles, voir la section « OSSATURE » 5.1.1 INSTALLATION HORIZONTALE DU CDV36

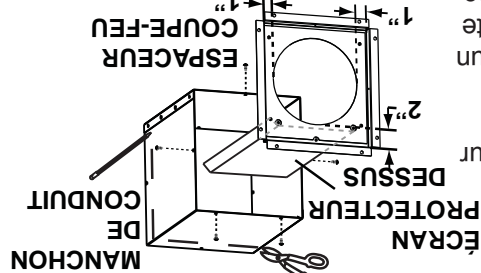
AVERTISSEMENT

L'ESPACEUR COUPE-FEU DOIT ÊTRE INSTALLÉ AVEC L'ÉCRAN PROTECTEUR ORIENTÉ VERS LE HAUT. LA TERMINAISON NE DOIT PAS ÊTRE ENCHÂSSÉE DANS LE MUR OU LE REVÊTEMENT EXTÉRIEUR PLUS QUE L'ÉPAISSEUR DE LA BRIDE DE LA PLAQUE DE MONTAGE.

A. Assemblez les deux moitiés du manchon de conduit en alignant les trous de façon à former un rectangle (rebord à l'extérieur). Fixez à l'aide de six des vis fournies dans le sac de votre manuel. **NOTE : Vis non requises dans les deux trous borgnes.**

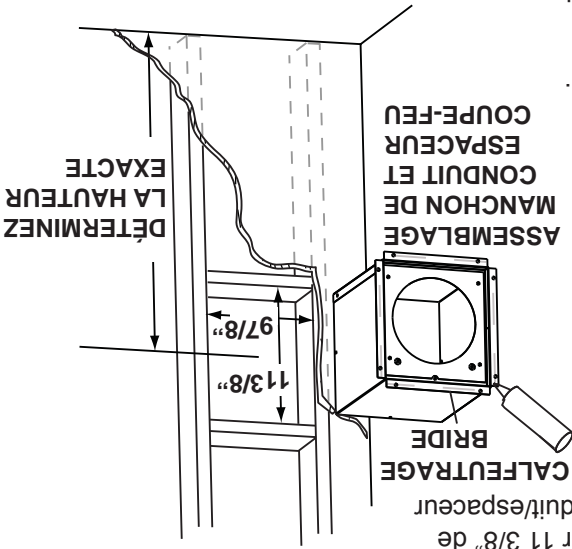


B. Insérez l'espaceur coupe-feu dans l'une des extrémités du manchon de conduit et fixez-le par les trous alignés sur le dessus, le dessous et les côtés avec les cinq dernières vis fournies.



Si vous utilisez des conduits d'évent flexibles, retirez l'espaceur coupe-feu de conduit rigide. Le trou qui demeure est de la grandeur appropriée pour des conduits d'évent flexibles.

Cette configuration s'applique lorsque le conduit d'évent traverse un mur extérieur. Une fois que vous aurez déterminé la hauteur exacte pour l'emplacement de la terminaison, découpez et charpentez une ouverture dans le mur extérieur de 9 7/8" de large par 11 3/8" de haut pour permettre l'installation du manchon de conduit/espaceur coupe-feu.



L'écran protecteur peut-être taillé pour des murs combustibles qui ont moins de 8 1/2" de profond, mais doit se prolonger sur toute la profondeur du mur combustible.

C. Insérez l'assemblage du manchon de conduit et de l'espaceur coupe-feu dans le mur, notez la profondeur du mur et taillez le manchon de conduit à cette même profondeur. Les vis servant à fixer le manchon de conduit devront possiblement être repositionnées afin que l'assemblage demeure rigide.

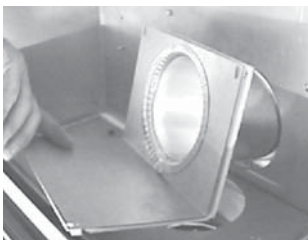
D. Appliquez un joint de calfeutrage (non fourni) sur la surface intérieure de la bride de l'espaceur coupe-feu et fixez l'assemblage au mur. (Assurez-vous que la forme rectangulaire de l'assemblage est installée de façon à maintenir un dégagement de 2" avec le dessus du conduit d'évent).

E. Une fois que le conduit d'évent est en place, appliquez du scellant à haute température W573-0002 (non fourni) entre le conduit d'évent et l'espaceur coupe-feu.

20.1

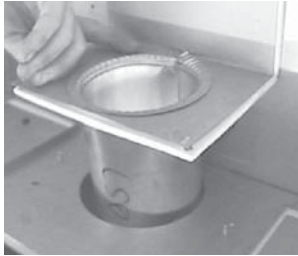
ÉVACUATION À L'ARRIÈRE DU BCDV36

De l'intérieur de la chambre de combustion, insérez le conduit d'évacuation de 4" / joint d'étanchéité (fourni) à travers l'arrière de la chambre de combustion. Fixez l'assemblage à l'aide des quatre vis à tête hexagonale Wildrill #8 x 3/4" fournies. Ne serrez pas trop les vis. Il suffit d'appuyer le joint d'étanchéité contre la chambre de combustion. Avant de fixer les coudes aux collets à l'arrière de l'appareil, vous devrez enlever 1/2" au collet de 4".



ÉVACUATION SUR LE DESSUS DU BCDV36

A. Retirez le couvercle d'évacuation de 7" du haut de l'appareil et fixez-le sur le collet de 7" qui se trouve à l'arrière de l'appareil. Appuyez fermement sur le couvercle d'évacuation pour assurer son étanchéité. Prenez soin de ne pas endommager le joint d'étanchéité.



B. Retirez la plaque qui recouvre l'ouverture du conduit d'évacuation de 4" (qui se trouve à l'intérieur du haut du collet de 7") et jetez-la. Essayez de ne pas déplacer la bague de retenue et le joint d'étanchéité qui se trouvent en dessous. Refixez la bague et le joint d'étanchéité à l'aide des vis retirées de la plaque.

C.

De l'intérieur de la chambre de combustion, insérez le conduit d'évacuation amovible de 4" à travers le joint d'étanchéité de 4" et ensuite à travers la bague de retenue. Fixez l'assemblage à l'arrière et dans le haut de l'appareil à l'aide des quatre vis à tête hexagonale Wildrill #8 x 3/4" fournies. Ne serrez pas trop les vis. Il suffit d'appuyer le joint d'étanchéité contre la chambre de combustion.

5.0 INSTALLATION

! AVERTISSEMENT

AFIN D'ASSURER UN FONCTIONNEMENT SÉCURITAIRE ET ADÉQUAT DE L'APPAREIL, VOUS DEVEZ OBSERVER LES INSTRUCTIONS D'ÉVACUATION À LA LETTRE.

TOUS LES JOINTS DES CONDUITS INTÉRIEURS ET EXTÉRIEURS PEUVENT ÊTRE SCÉLLÉS AVEC DU SCÉLLANT DE SILICONE ROUGÉ À HAUTE TEMPÉRATURE RTV W573-0002 (NON FOURNI) OU DU SCÉLLANT NOIR À HAUTE TEMPÉRATURE MILL PAC W573-0007 (NON FOURNI) À L'EXCEPTION DU RACCORDEMENT DU CONDUIT D'ÉVACUATION À LA BUSE DE L'APPAREIL QUI DOIT ÊTRE SCÉLLÉ AVEC LE SCÉLLANT MILL PAC.

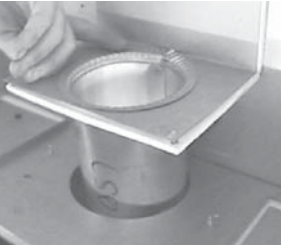
SI VOUS UTILISEZ DES COLLIERS POUR TUYAU POUR RACCORDER LES COMPOSANTS D'ÉVACUATION, VOUS DEVEZ AUSSI INSTALLER TROIS VIS POUR ASSURER QUE LE RACCORDEMENT NE SE DÉFASSE PAS.

NE SERREZ PAS LA GAINÉ FLEXIBLE.

RISQUE D'INCENDIE, D'EXPLOSION OU D'ASPHYXIE. SI L'ENSEMBLE DU SYSTÈME DE CONDUIT D'ÉVACUATION N'EST PAS ADEQUATEMENT SOUTENU, IL RISQUE DE FLÉCHIR OU DE SE SÉPARER. UTILISEZ DES SUPPORTS DE CONDUIT ET RACCORDEZ LES SECTIONS DE CONDUITS SELON LES INSTRUCTIONS D'INSTALLATION.

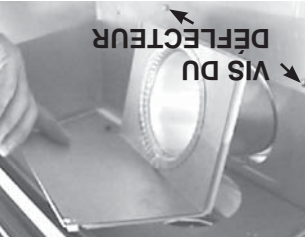
RISQUE D'INCENDIE. ÉVITEZ QUE L'ISOLANT TOUCHE AU CONDUIT D'ÉVACUATION. RETIREZ L'ISOLANT POUR PERMETTRE L'INSTALLATION DE L'ÉCRAN PROTECTEUR DU GRENIER ET POUR MAINTENIR LES DÉGAGEMENTS AUX MATÉRIELUX COMBUSTIBLES.

De l'intérieur de la chambre de combustion, insérez le conduit d'évacuation amovible de 4" à travers le joint d'étanchéité de 4" et ensuite à travers la bague de retenue. Fixez l'assemblage à l'arrière dans le haut de l'appareil à l'aide des quatre vis à tête hexagonale Wildrill #8 x 3/4" fournies. Ne serrez pas trop les vis. Il suffit d'appuyer le joint d'étanchéité contre la chambre de combustion. Refixez le déflecteur à l'arrière de la chambre de combustion à l'aide des quatre vis.



Retirez le déflecteur de l'arrière de la chambre de combustion en retirant les quatre vis. Retirez le couvercle d'évacuation de 7" du haut de l'appareil. Appuyez fermement sur le collet de 7" qui se trouve à l'arrière de l'appareil. Appuyez fermement sur le couvercle d'évacuation pour assurer son étanchéité. Prenez soin de ne pas endommager le joint d'étanchéité. Retirez la plaque qui recouvre l'ouverture du conduit d'évacuation de 4" (qui se trouve à l'intérieur du haut du collet de 7") et jetez-la. Essayez de ne pas déplacer la bague de retenue et le joint d'étanchéité qui se trouvent en dessous. Refixez la bague et le joint d'étanchéité à l'aide des vis retirées de la plaque.

4.2 ÉVACUATION SUR LE DESSUS DU CDV36



Refixez le déflecteur à l'arrière de la chambre de combustion à l'aide des quatre vis.



Retirez le déflecteur de l'arrière de la chambre de combustion en retirant les quatre vis.

Avant de fixer les coudes aux collets à l'arrière de l'appareil, vous devrez enlever 1 1/2" au collet de 4".

NOTE : Ne serrez pas trop les vis. Il suffit d'appuyer le joint d'étanchéité contre la chambre de combustion.

De l'intérieur de la chambre de combustion, insérez le conduit d'évacuation de 4" (joint d'étanchéité (fourni) à travers l'arrière de la chambre de combustion. Fixez l'assemblage à l'arrière et dans le haut de l'appareil à l'aide des quatre vis à tête hexagonale Wildrill #8 x 3/4" fournies. NOTE : Ne serrez pas trop les vis. Il suffit d'appuyer le joint d'étanchéité contre la chambre de combustion.

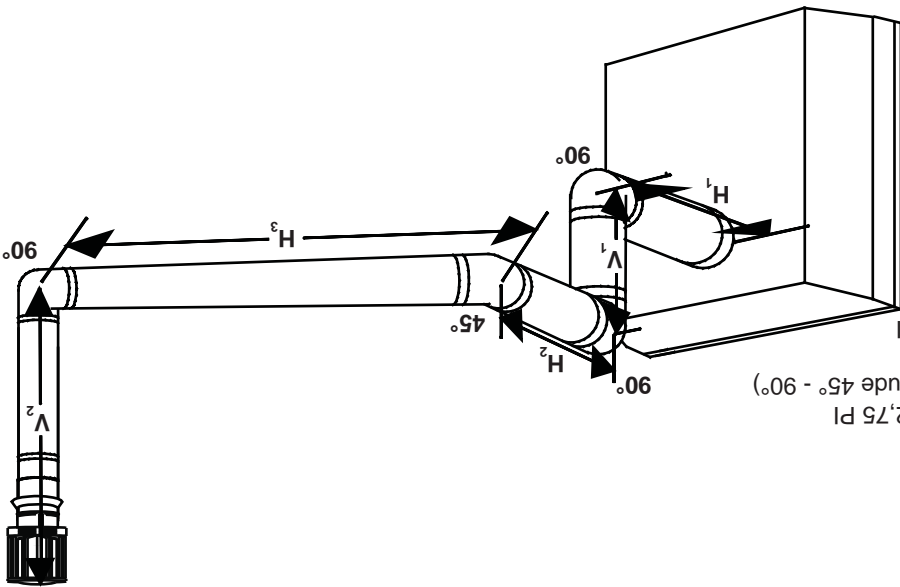
4.1 ÉVACUATION À L'ARRIÈRE DU CDV36

IL EST ESSENTIEL QUE LE COUVERCLE D'ÉVACUATION SOIT INSTALLÉ SINON L'APPAREIL NE FONCTIONNERA PAS CORRECTEMENT ET POURRAIT CAUSER DES BLESSURES OU DES DOMMAGES MATÉRIELS.

AVERTISSEMENT

4.0 PRÉPARATION AVANT L'INSTALLATION

Puisque les deux formules sont respectées, cette configuration d'évacuation est acceptable.



Exemple :

$$V_1 = 1,5 \text{ Pl}$$

$$V_2 = 5 \text{ Pl}$$

$$V_1 + V_2 = 1,5 + 1 + 5 = 6,5 \text{ Pl}$$

$$H_1 = 1 \text{ Pl}$$

$$H_2 = 1 \text{ Pl}$$

$$H_3 = 10,75 \text{ Pl}$$

$$H_R = H_1 + H_2 + H_3 = 1 + 1 + 10,75 = 12,75 \text{ Pl}$$

$$H_0 = 0,03 \text{ (quatre coudes } 90^\circ + \text{ un coude } 45^\circ - 90^\circ) = 0,03 (360^\circ + 45^\circ - 90^\circ) = 6,75 \text{ Pl}$$

$$H_1 + H_0 = 12,75 + 6,75 = 19,5 \text{ Pl}$$

$$H_1 + V_1 = 19,5 + 6,5 = 26 \text{ Pl}$$

Formule 1 :

$$H_1 \leq 3 V_1$$

$$3 V_1 = 3 \times 6,5 = 19,5 \text{ Pl}$$

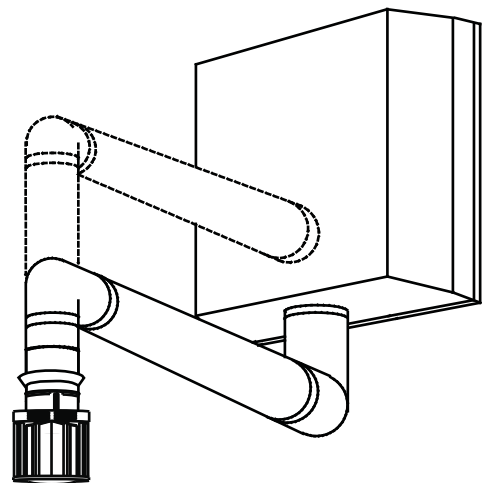
$$19,5 = 19,5$$

Formule 2 :

$$H_1 + V_1 \leq 40 \text{ Pl}$$

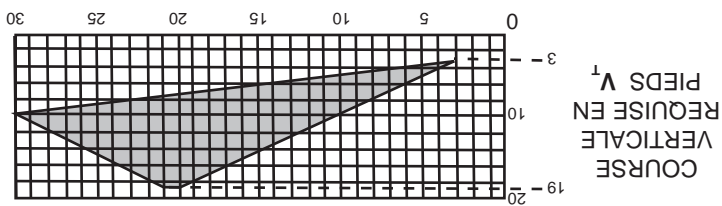
$$26 \leq 40$$

$(H^T) < (V^T)$



Configurations d'évacuation simples.

Consultez le graphique pour déterminer la course verticale nécessaire V_t par rapport à la course horizontale requise H_t . La section ombragée à l'intérieur des lignes représente des valeurs acceptables pour H_t et V_t .



Lorsque les configurations de l'évacuation exigent plus que zéro coude de 90° (évacuation sur le dessus) ou un coude de 90° (évacuation à l'arrière), les formules suivantes s'appliquent :

Formule 1 : $H_t \leq 3 V_t$
 Formule 2 : $H_t + V_t \leq 40$ pieds

Exemple :

$V_1 = 2$ Pl
 $V_2 = 1$ Pl
 $V_3 = 1,5$ Pl
 $V_t = V_1 + V_2 + V_3 = 2 + 1 + 1,5 = 4,5$ Pl
 $H_1 = 6$ Pl
 $H_2 = 2$ Pl
 $H_3 = H_1 + H_2 = 6 + 2 = 8$ Pl
 $H_o = 0,03$ (quatre coudes $90^\circ - 90^\circ$)
 $= 0,03 (360^\circ - 90^\circ) = 8,1$ Pl
 $H_t = H_r + H_o = 8 + 8,1 = 16,1$ Pl
 $H_t + V_t = 16,1 + 4,5 = 20,6$ Pl

Formule 1 : $H_t \leq 3 V_t$
 $3 V_t = 3 \times 4,5 = 13,5$ Pl
 $16,1 > 13,5$
 Puisque cette formule n'est pas respectée, cette configuration d'évacuation est **inacceptable**.

Formule 2 : $H_t + V_t \leq 40$ Pl
 $20,6 \leq 40$

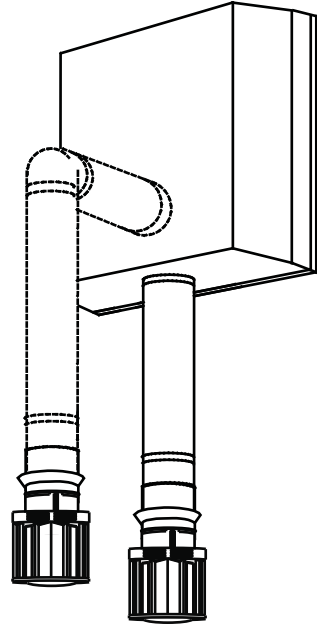
Puisque seulement la formule 2 est respectée, cette configuration est inacceptable et l'on devra trouver un autre endroit pour installer l'appareil ou trouver une configuration d'évacuation qui pourra respecter les deux formules.

18.2.2A

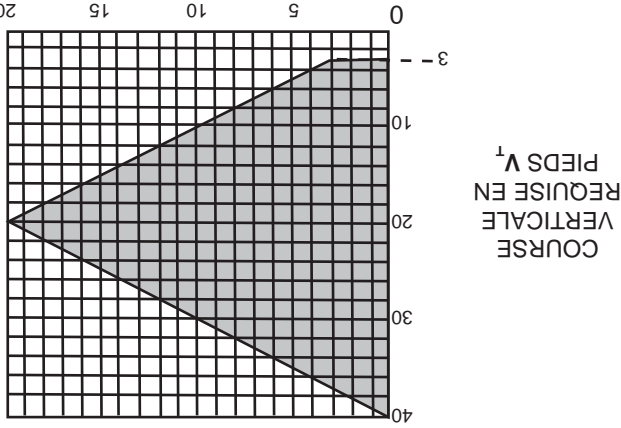
3.10 EVACUATION SUR LE DESSUS OU À L'ARRIÈRE TERMINAISON VERTICALE

$$(H_T) \leq (V_T)$$

Configurations d'évacuation simples.



Consultez le graphique pour déterminer la course verticale requise V_T par rapport à la course horizontale requise H_T .



La section ombragée à l'intérieur des lignes représente des valeurs acceptables pour H_T et V_T

H_T et V_T

Lorsque les configurations de l'évacuation exigent plus que zéro coude de 90° (évacuation sur le dessus) ou un coude de 90° (évacuation à l'arrière), les formules suivantes s'appliquent :

$$\text{Formule 1 : } H_T \leq V_T$$

$$\text{Formule 2 : } H_T + V_T \leq 40 \text{ pieds}$$

Exemple :

$$V_1 = 5 \text{ Pl}$$

$$V_2 = 6 \text{ Pl}$$

$$V_3 = 10 \text{ Pl}$$

$$V_T = V_1 + V_2 + V_3 = 5 + 6 + 10 = 21 \text{ Pl}$$

$$H_1 = 8 \text{ Pl}$$

$$H_2 = 2,5 \text{ Pl}$$

$$H_R = H_1 + H_2 = 8 + 2,5 = 10,5 \text{ Pl}$$

$$H_0 = 0,03 \text{ (quatre coudes } 90^\circ - 90^\circ) = 8,1 \text{ Pl}$$

$$H_T = H_R + H_0 = 10,5 + 8,1 = 18,6 \text{ Pl}$$

$$H_T + V_T = 18,6 + 21 = 39,6 \text{ Pl}$$

$$\text{Formule 1 : } H_T \leq V_T$$

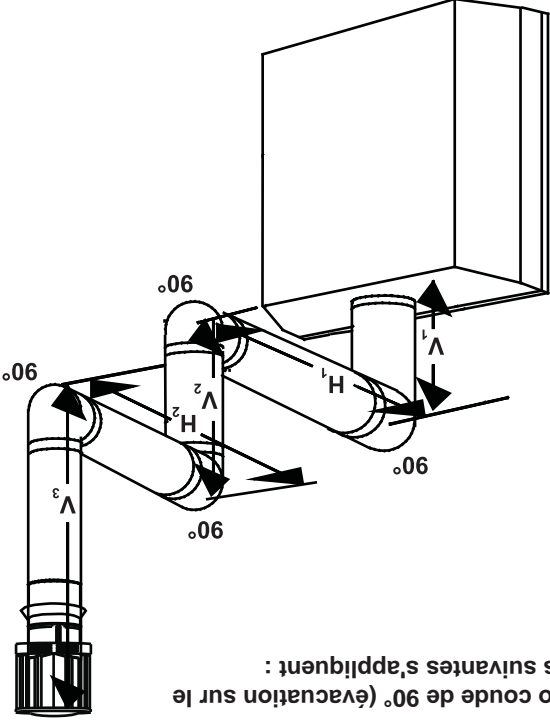
$$18,6 \leq 21$$

$$\text{Formule 2 : } H_T + V_T \leq 40 \text{ Pl}$$

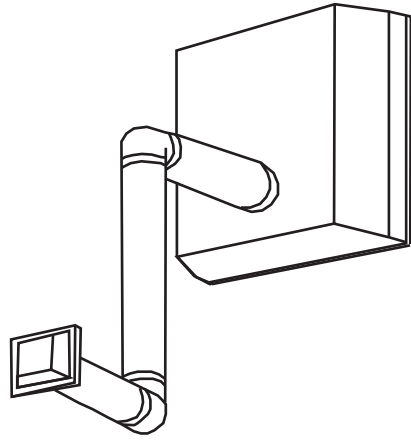
$$39,6 \leq 40$$

Puisque les deux formules sont respectées, cette configuration d'évacuation est acceptable.

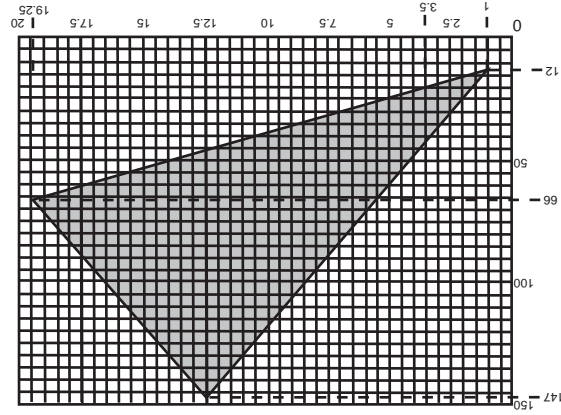
18.2



$$(H_t) < (V_t)$$



Configuration d'évacuation simple (deux coudes de 90° seulement)



Consultez le graphique pour déterminer la course verticale nécessaire V_t par rapport à la course horizontale requise H_t .

LONGUEUR DES COURSES HORIZONTALES PLUS LES DÉVIATIONS EN PIEDS H_t
 La section ombragée à l'intérieur des lignes représente des valeurs acceptables pour H_t et V_t

Lorsque la configuration de l'évacuation exige plus qu'un coude de 90°, les formules suivantes s'appliquent :

Formule 1 : $H_t \leq 3,5V_t$
 Formule 2 : $H_t + V_t \leq 24,75$ pieds

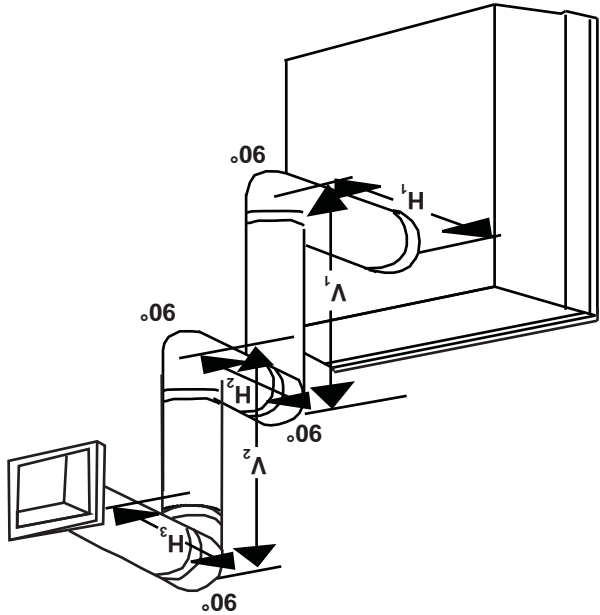
Exemple :
 $V_1 = 4$ Pl
 $V_2 = 1,5$ Pl
 $V_t = V_1 + V_2 = 4 + 1,5 = 5,5$ Pl
 $H_1 = 2$ Pl
 $H_2 = 1$ Pl
 $H_3 = 1$ Pl
 $H_4 = 1,5$ Pl

$H_r = H_1 + H_2 + H_3 + H_4 = 2 + 1 + 1 + 1,5 = 5,5$ Pl
 $H_o = 0,03$ (quatre coudes 90° + un coude 45° - 90°) = 0,03 (90 + 90 + 90 + 45 - 90) = 9,45 Pl
 $H_t = H_r + H_o = 5,5 + 9,45 = 14,95$ Pl
 $H_t + V_t = 14,95 + 5,5 = 20,45$ Pl

Formule 1 : $H_t \leq 3,5V_t$
 $3,5V_t = 3,5 \times 5,5 = 19,25$ Pl
 $14,95 \leq 19,25$
 Formule 2 : $H_t + V_t \leq 24,75$ Pl
 $20,45 \leq 24,75$

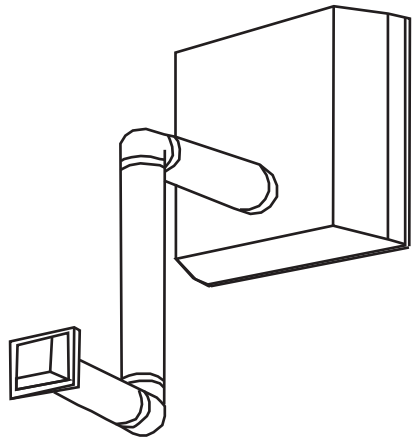
Puisque les deux formules sont respectées, cette configuration d'évacuation est acceptable.

16.3.2A

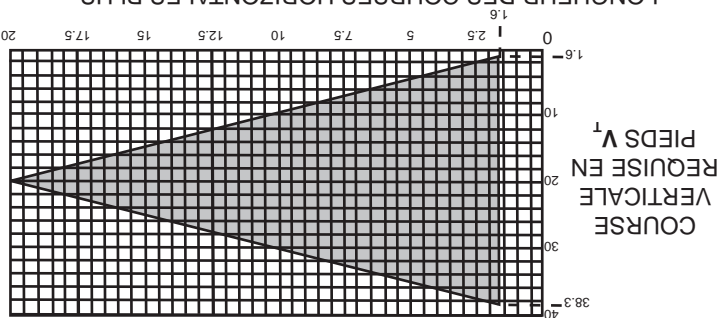


$$(H_1) \leq (V_1)$$

Configuration d'évacuation simple
(deux coudes de 90° seulement)



Consultez le graphique pour déterminer la course verticale requise H_1 par rapport à la course horizontale requise V_1 .



La section ombragée à l'intérieur des lignes représente des valeurs acceptables pour H_1 et V_1

suivantes s'appliquent :

Formule 1 : $H_1 \leq V_1$
Formule 2 : $H_1 + V_1 \leq 40$ pieds

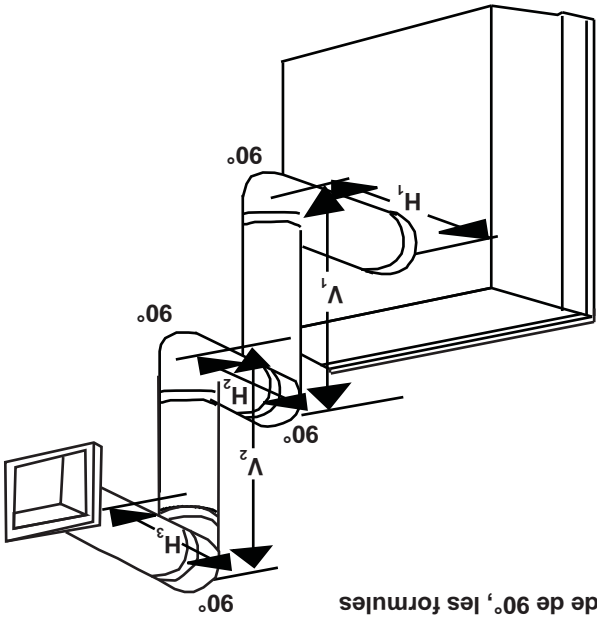
Exemple :

$$\begin{aligned} V_1 &= 9 \text{ Pl} \\ V_2 &= 6 \text{ Pl} \\ V_1 + V_2 &= 9 + 6 = 15 \text{ Pl} \\ H_1 &= 3 \text{ Pl} \\ H_2 &= 2 \text{ Pl} \\ H_3 &= 1,5 \text{ Pl} \\ H_3 + H_2 + H_1 &= 3 + 2 + 1,5 = 6,5 \text{ Pl} \\ H_0 &= 0,03 \text{ (quatre coudes } 90^\circ - 90^\circ) = 0,03 (360^\circ - 90^\circ) = 8,1 \text{ Pl} \\ H_1 + H_0 &= 6,5 + 8,1 = 14,6 \text{ Pl} \\ H_1 + V_1 &= 14,6 + 15 = 29,6 \text{ Pl} \end{aligned}$$

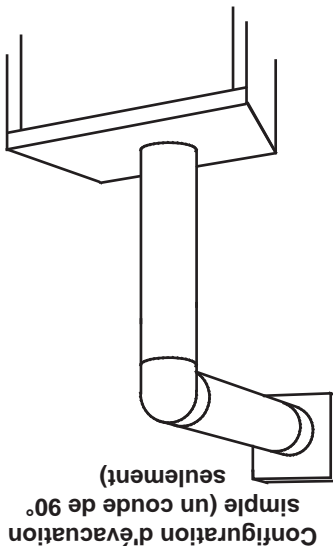
Formule 1 : $H_1 \leq V_1$
Formule 2 : $H_1 + V_1 \leq 40 \text{ Pl}$
 $29,6 \leq 40$

Puisque les deux formules sont respectées, cette configuration d'évacuation est acceptable.

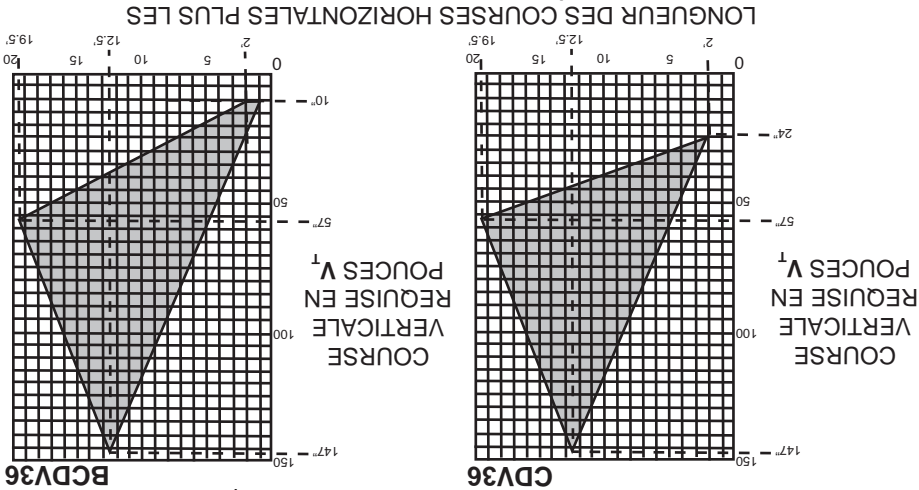
16.3



$$(H^T) < (V^T)$$



Consultez le graphique pour déterminer la course verticale nécessaire V^T par rapport à la course horizontale requise H^T .



La section ombragée à l'intérieur des lignes représente des valeurs acceptables pour H^T et V^T

Lorsque la configuration de l'évacuation exige plus qu'un coude de 90°, les formules suivantes s'appliquent :

Formule 1 : $H^T \leq 4,2 V^T$
 Formule 2 : $H^T + V^T \leq 24,75$ pieds

Exemple :

$$V^T = 6 \text{ Pl}$$

$$H^T = 3 \text{ Pl}$$

$$H^T = H^1 + H^2 = 3 + 5 = 8 \text{ Pl}$$

$$H^T = H^1 + H^2 = 8 + 2,7 = 10,7 \text{ Pl}$$

$$H^T + V^T = 10,7 + 6 = 16,7 \text{ Pl}$$

$$H^T + V^T = 10,7 + 6 = 16,7 \text{ Pl}$$

$$H^T + V^T = 10,7 + 6 = 16,7 \text{ Pl}$$

$$H^T + V^T = 10,7 + 6 = 16,7 \text{ Pl}$$

$$H^T + V^T = 10,7 + 6 = 16,7 \text{ Pl}$$

$$H^T + V^T = 10,7 + 6 = 16,7 \text{ Pl}$$

$$H^T + V^T = 10,7 + 6 = 16,7 \text{ Pl}$$

$$H^T + V^T = 10,7 + 6 = 16,7 \text{ Pl}$$

$$H^T + V^T = 10,7 + 6 = 16,7 \text{ Pl}$$

$$H^T + V^T = 10,7 + 6 = 16,7 \text{ Pl}$$

$$H^T + V^T = 10,7 + 6 = 16,7 \text{ Pl}$$

$$H^T + V^T = 10,7 + 6 = 16,7 \text{ Pl}$$

$$H^T + V^T = 10,7 + 6 = 16,7 \text{ Pl}$$

$$H^T + V^T = 10,7 + 6 = 16,7 \text{ Pl}$$

$$H^T + V^T = 10,7 + 6 = 16,7 \text{ Pl}$$

$$H^T + V^T = 10,7 + 6 = 16,7 \text{ Pl}$$

$$H^T + V^T = 10,7 + 6 = 16,7 \text{ Pl}$$

$$H^T + V^T = 10,7 + 6 = 16,7 \text{ Pl}$$

$$H^T + V^T = 10,7 + 6 = 16,7 \text{ Pl}$$

$$H^T + V^T = 10,7 + 6 = 16,7 \text{ Pl}$$

$$H^T + V^T = 10,7 + 6 = 16,7 \text{ Pl}$$

$$H^T + V^T = 10,7 + 6 = 16,7 \text{ Pl}$$

$$H^T + V^T = 10,7 + 6 = 16,7 \text{ Pl}$$

$$H^T + V^T = 10,7 + 6 = 16,7 \text{ Pl}$$

$$H^T + V^T = 10,7 + 6 = 16,7 \text{ Pl}$$

$$H^T + V^T = 10,7 + 6 = 16,7 \text{ Pl}$$

$$H^T + V^T = 10,7 + 6 = 16,7 \text{ Pl}$$

$$H^T + V^T = 10,7 + 6 = 16,7 \text{ Pl}$$

$$H^T + V^T = 10,7 + 6 = 16,7 \text{ Pl}$$

$$H^T + V^T = 10,7 + 6 = 16,7 \text{ Pl}$$

$$H^T + V^T = 10,7 + 6 = 16,7 \text{ Pl}$$

$$H^T + V^T = 10,7 + 6 = 16,7 \text{ Pl}$$

$$H^T + V^T = 10,7 + 6 = 16,7 \text{ Pl}$$

$$H^T + V^T = 10,7 + 6 = 16,7 \text{ Pl}$$

Puisque les deux formules sont respectées, cette configuration d'évacuation est acceptable.

Formule 1 : $H^T \leq 4,2 V^T$
 Formule 2 : $H^T + V^T \leq 24,75$ Pl

$$H^T + V^T = 4,2 \times 6 = 25,2 \text{ Pl}$$

$$H^T + V^T = 4,2 \times 6 = 25,2 \text{ Pl}$$

$$H^T + V^T = 4,2 \times 6 = 25,2 \text{ Pl}$$

$$H^T + V^T = 4,2 \times 6 = 25,2 \text{ Pl}$$

$$H^T + V^T = 4,2 \times 6 = 25,2 \text{ Pl}$$

$$H^T + V^T = 4,2 \times 6 = 25,2 \text{ Pl}$$

$$H^T + V^T = 4,2 \times 6 = 25,2 \text{ Pl}$$

$$H^T + V^T = 4,2 \times 6 = 25,2 \text{ Pl}$$

$$H^T + V^T = 4,2 \times 6 = 25,2 \text{ Pl}$$

$$H^T + V^T = 4,2 \times 6 = 25,2 \text{ Pl}$$

$$H^T + V^T = 4,2 \times 6 = 25,2 \text{ Pl}$$

$$H^T + V^T = 4,2 \times 6 = 25,2 \text{ Pl}$$

$$H^T + V^T = 4,2 \times 6 = 25,2 \text{ Pl}$$

$$H^T + V^T = 4,2 \times 6 = 25,2 \text{ Pl}$$

Puisque les deux formules sont respectées, cette configuration d'évacuation est acceptable.

Formule 1 : $H^T \leq 4,2 V^T$
 Formule 2 : $H^T + V^T \leq 24,75$ Pl

$$H^T + V^T = 4,2 \times 5,5 = 23,1 \text{ Pl}$$

$$H^T + V^T = 4,2 \times 5,5 = 23,1 \text{ Pl}$$

$$H^T + V^T = 4,2 \times 5,5 = 23,1 \text{ Pl}$$

$$H^T + V^T = 4,2 \times 5,5 = 23,1 \text{ Pl}$$

$$H^T + V^T = 4,2 \times 5,5 = 23,1 \text{ Pl}$$

$$H^T + V^T = 4,2 \times 5,5 = 23,1 \text{ Pl}$$

$$H^T + V^T = 4,2 \times 5,5 = 23,1 \text{ Pl}$$

$$H^T + V^T = 4,2 \times 5,5 = 23,1 \text{ Pl}$$

$$H^T + V^T = 4,2 \times 5,5 = 23,1 \text{ Pl}$$

$$H^T + V^T = 4,2 \times 5,5 = 23,1 \text{ Pl}$$

$$H^T + V^T = 4,2 \times 5,5 = 23,1 \text{ Pl}$$

$$H^T + V^T = 4,2 \times 5,5 = 23,1 \text{ Pl}$$

$$H^T + V^T = 4,2 \times 5,5 = 23,1 \text{ Pl}$$

$$H^T + V^T = 4,2 \times 5,5 = 23,1 \text{ Pl}$$

$$H^T + V^T = 4,2 \times 5,5 = 23,1 \text{ Pl}$$

$$H^T + V^T = 4,2 \times 5,5 = 23,1 \text{ Pl}$$

$$H^T + V^T = 4,2 \times 5,5 = 23,1 \text{ Pl}$$

$$H^T + V^T = 4,2 \times 5,5 = 23,1 \text{ Pl}$$

$$H^T + V^T = 4,2 \times 5,5 = 23,1 \text{ Pl}$$

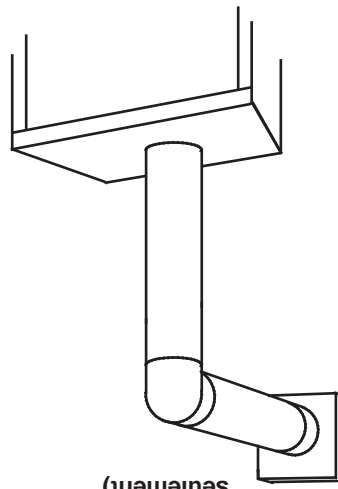
$$H^T + V^T = 4,2 \times 5,5 = 23,1 \text{ Pl}$$

$$H^T + V^T = 4,2 \times 5,5 = 23,1 \text{ Pl}$$

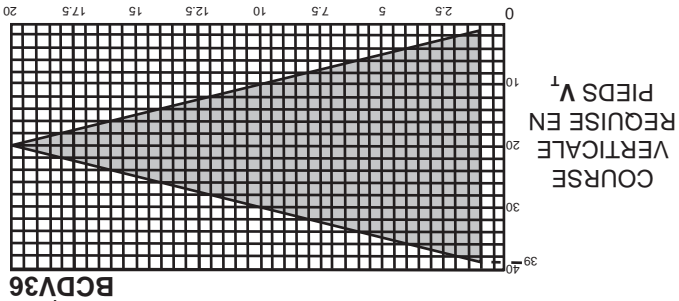
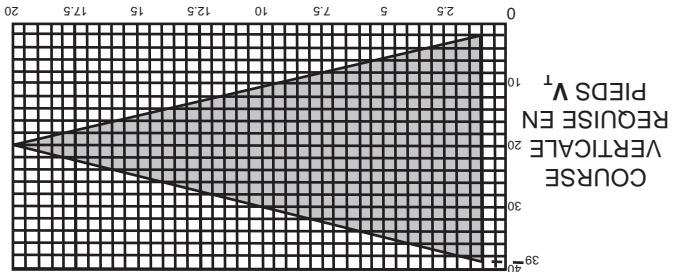
3.8 ÉVACUATION SUR LE DESSUS TERMINAISON HORIZONTALE

$$(H^{\dagger}) \leq (V^{\dagger})$$

Configuration d'évacuation simple (un coude de 90° seulement)



Consultez le graphique pour déterminer la course verticale nécessaire V^{\dagger} par rapport à la course horizontale requise H^{\dagger} .



LONGUEUR DES COURSES HORIZONTALES PLUS LES DÉVIATIONS EN PIEDS H^{\dagger}
 La section ombragée à l'intérieur des lignes représente des valeurs acceptables pour H^{\dagger} et V^{\dagger}

Lorsque la configuration de l'évacuation exige plus qu'un coude de 90°, les formules suivantes s'appliquent :

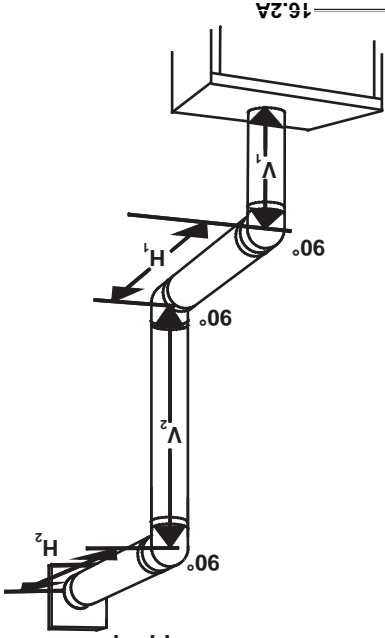
Formule 1 : $H^{\dagger} \leq V^{\dagger}$
 Formule 2 : $H^{\dagger} + V^{\dagger} \leq 40$ pieds

Exemple :

$V^{\dagger}_1 = 3$ Pl
 $V^{\dagger}_2 = 8$ Pl
 $V^{\dagger}_T = V^{\dagger}_1 + V^{\dagger}_2 = 3 + 8 = 11$ Pl
 $H^{\dagger}_1 = 2,5$ Pl
 $H^{\dagger}_2 = 2$ Pl
 $H^{\dagger}_R = H^{\dagger}_1 + H^{\dagger}_2 = 2,5 + 2 = 4,5$ Pl
 $H^{\dagger}_O = 0,03$ (trois coudes 90° - 90°) = 0,03 (270° - 90°) = 5,4 Pl
 $H^{\dagger}_T = H^{\dagger}_R + H^{\dagger}_O = 4,5 + 5,4 = 9,9$ Pl
 $H^{\dagger}_T + V^{\dagger}_T = 9,9 + 11 = 20,9$ Pl

Formule 1 : $H^{\dagger} \leq V^{\dagger}$
 $9,9 \leq 11$
 Formule 2 : $H^{\dagger} + V^{\dagger} \leq 40$ Pl
 $20,9 \leq 40$

Puisque les deux formules sont respectées, cette configuration d'évacuation est acceptable.



3.6 LÉGENDE

Les symboles suivants sont utilisés dans le calcul et les exemples d'évacuation :

- > - plus grand que
- ≥ - plus grand ou égal à
- < - plus petit que
- ≤ - plus petit ou égal à
- H_T - total de la longueur des courses horizontales (Hr) et des déviations (Ho) en pieds
- H_r - longueur des courses horizontales combinées en pieds
- H_o - facteur de la valeur d'une déviation : 0,03 (du total des degrés de déviation - 90°*) en pieds
- V_T - longueur des courses verticales combinées en pieds

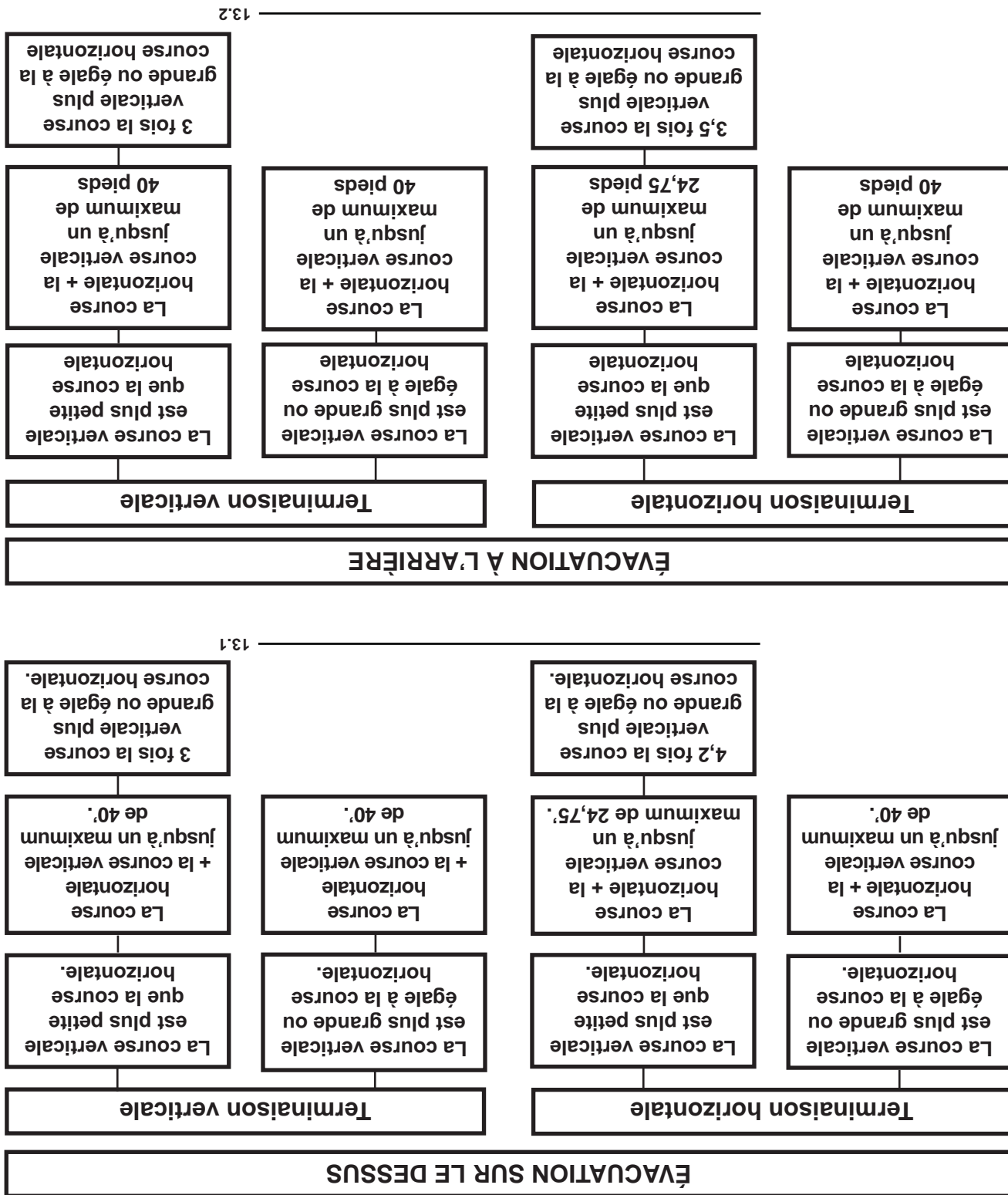
14.1

3.7 VALEURS DU COUDE EN LONGUEURS D'ÉVENT

PIEDS POUCES		
1°	0,03	0,5
15°	0,45	6,0
30°	0,9	11,0
45°	1,35	16,0
90°*	2,7	32,0

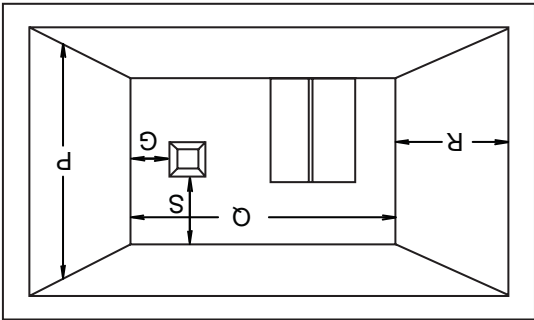
* La première déviation de 90° a une valeur zéro et est illustrée dans la formule comme - 90°

15.1

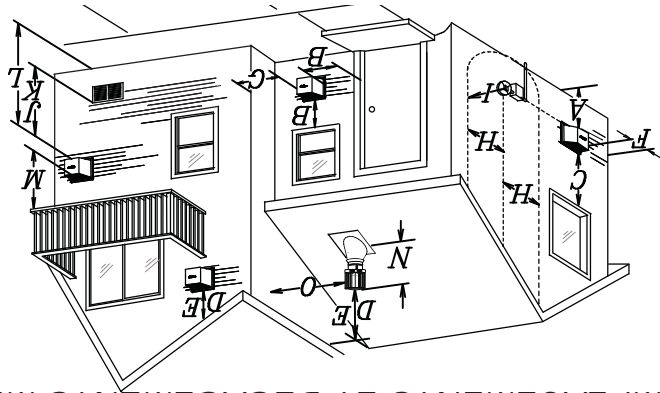


EMPLACEMENTS ET DÉGAGEMENTS MINIMAUX DE LA TERMINAISON

APPLICATIONS POUR BALCON COUVERT



$R_{MAX} = 2 \times \varnothing_{RÉELLE}$
$R_{MAX} \leq 15$ pieds
$Q_{MIN} = 3$ pieds



INSTALLATION	
CANADA	E.-U.

A	Dégagement au-dessus du sol, d'une véranda, d'une terrasse en bois ou d'un balcon.	12"	12"
B	Dégagement des fenêtres ou des portes qui ouvrent.	12" Δ	9" Δ
C	Dégagement des fenêtres fermées en permanence.	12" *	12" *
D	Dégagement vertical d'un soffite ventilé situé au-dessus de la terminaison si la distance horizontale est de moins de 2' de la ligne médiane de la terminaison.	18" **	18" **
E	Dégagement d'un soffite non ventilé.	12" **	12" **
F	Dégagement des murs faisant coin extérieur.	0"	0"
G	Dégagement des murs extérieurs incombustibles faisant coin intérieur ou aux obstructions incombustibles (cheminée, etc.).	0" ***	0" ***
	Dégagement des murs extérieurs incombustibles faisant coin intérieur ou aux obstructions combustibles (habillage extérieur, etc.).	2" ***	2" ***
H	Dégagement horizontal de chaque côté depuis la ligne verticale tirée du centre d'un ensemble de régulateur/compteur pour une distance verticale maximale de 15'.	3" ***	3" ***
I	Dégagement de l'évent du régulateur.	3" ***	3" ***
J	Dégagement d'une prise d'air de ventilation non mécanique de la maison ou d'une prise d'air de combustion de tout autre appareil.	9"	12"
K	Dégagement d'une prise d'air mécanique.	6"	3' \dagger
L	Dégagement au-dessus d'un trottoir ou d'une entrée pavée située sur une propriété publique.	7' \ddagger	7' ****
M	Dégagement sous une véranda ou une terrasse en bois.	12" $\dagger\dagger$	12" ****
N	Dégagement au-dessus du toit.	16"	16"
O	Dégagement des murs adjacents, incluant les maisons voisines.	2' $\dagger*$	2' $\dagger*$
P	Le toit doit être incombustible et sans ouvertures.	8'	8'
Q	Voir le tableau pour les dimensions d'un mur plus large	3'	3'
R	Voir le tableau pour les dimensions d'un mur plus profond. La terminaison ne doit pas être installée sur quelconque mur ayant une ouverture entre la terminaison et le côté ouvert de la structure.	6'	6'
S	Dégagement sous un balcon couvert.	12"	12"

Δ Pour les structures comportant trois murs et un toit, la terminaison doit être située à plus de 6 pieds sous une fenêtre s'ouvrant sur un plan horizontal.

* Recommandé afin de prévenir la formation de buée dans les fenêtres et les cassures thermiques.

** Il est recommandé d'utiliser un protecteur de chaleur et de maximiser la distance au soffite de plastique.

*** L'ensemble périscopique requiert un dégagement minimal de 18 pouces d'un mur extérieur faisant coin intérieur.

**** Ceci est une distance recommandée. Vérifiez les codes locaux pour connaître les contraintes additionnelles.

\dagger Trois pieds au-dessus si la distance horizontale est de moins de 10 pieds.

\ddagger Une terminaison d'évacuation ne doit pas être installée à un endroit où elle pourrait causer une formation dangereuse de glace sur les surfaces d'une propriété adjacente.

$\dagger\dagger$ Permis seulement si la véranda ou la terrasse en bois sont complètement ouvertes sur un minimum de deux côtés sous le plancher.

$\dagger*$ Recommandé afin d'éviter la recirculation des produits d'échappement. Vérifiez les codes locaux pour connaître les contraintes additionnelles.

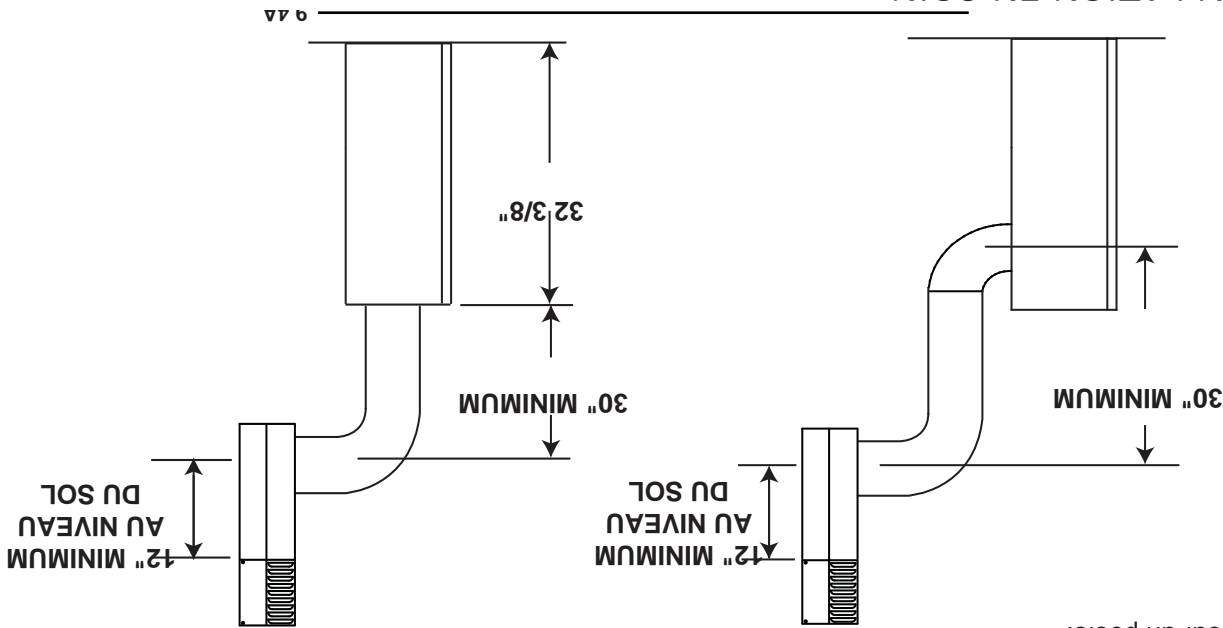
$\dagger\dagger*$ Permis seulement si le balcon est complètement ouvert sur au moins un côté.

NOTE : Les dégagements sont en conformité avec les codes d'installation locaux et les exigences du fournisseur de gaz.

3.3 INSTALLATIONS PARTICULIÈRES D'ÉVENTS

3.3.1 ENSEMBLE PÉRISCOPIQUE (CDV36 ET BCDV36)

Utilisez l'ensemble périscopique afin de positionner la terminaison au-dessus du niveau du sol. L'ensemble périscopique doit être installé de façon à ce que la fente d'air du bas soit située à un minimum de 12 pouces au-dessus du niveau du sol. La longueur maximale permise de l'évent est de 10 pieds pour un foyer et 8 pieds pour un poêle.

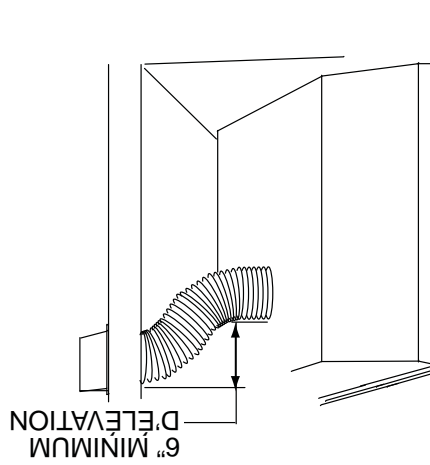


3.3.2 INSTALLATION EN COIN

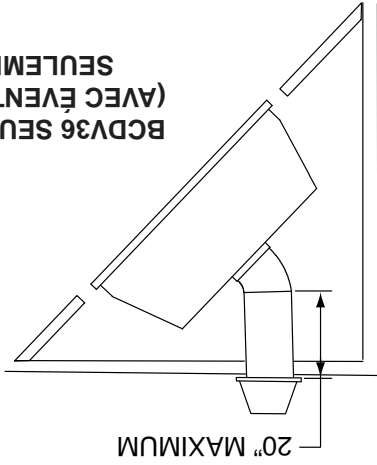
CDV36
Si l'évent est installé en coin et que l'élévation verticale n'est que de 6", alors la longueur maximale du conduit d'évacuation sera de 24". Toutes les installations en coin doivent avoir une pente ascendante d'au moins 6". Voir l'illustration ci-dessous.

BCDV36

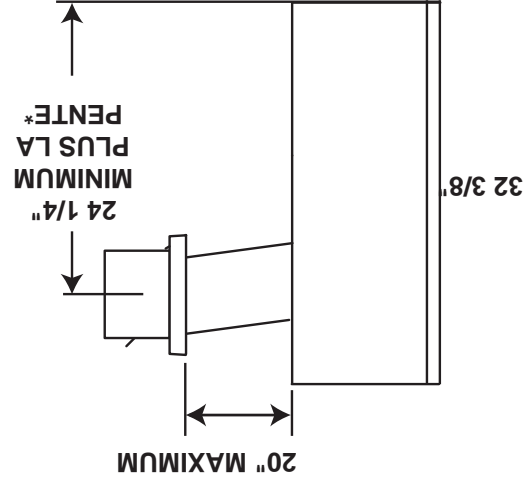
Lorsque l'évent est installé en coin, la longueur maximale du conduit d'évacuation est de 20" de course horizontale, en plus de la déviation de 45°. Dans ce cas, une pente de 0" est acceptable lorsque des événements rigides sont utilisés. Les événements flexibles doivent conserver une pente ascendante de 6". Voir l'illustration ci-dessous.



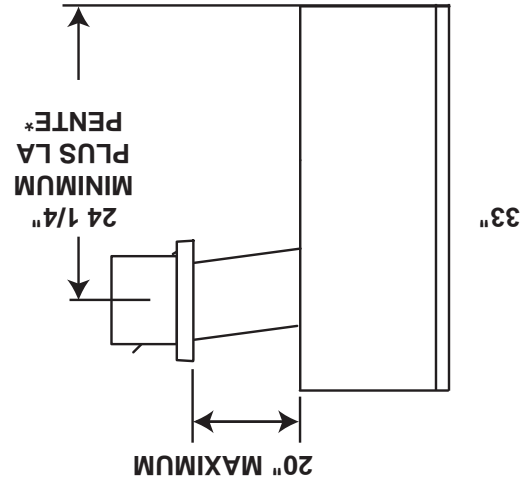
BCDV36 SEULEMENT (AVEC ÉVENT RIGIDE SEULEMENT)



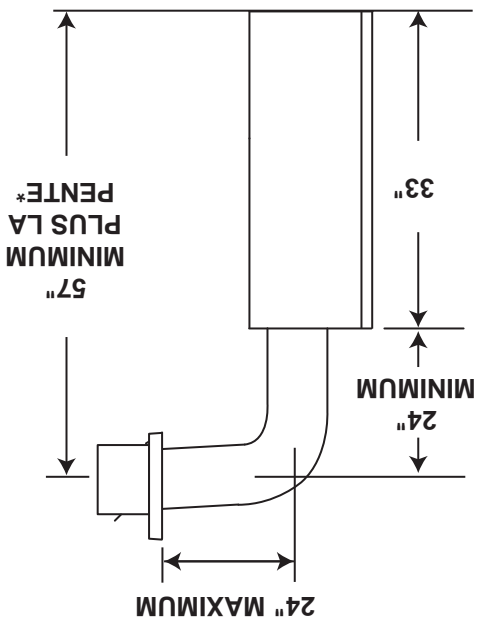
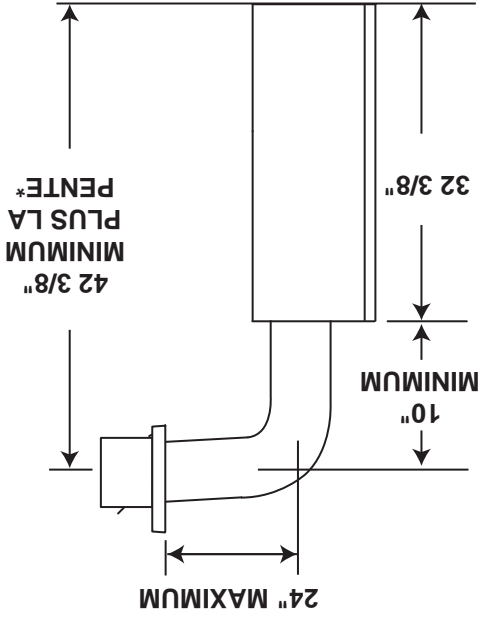
* Voir la section « EVACUATION »

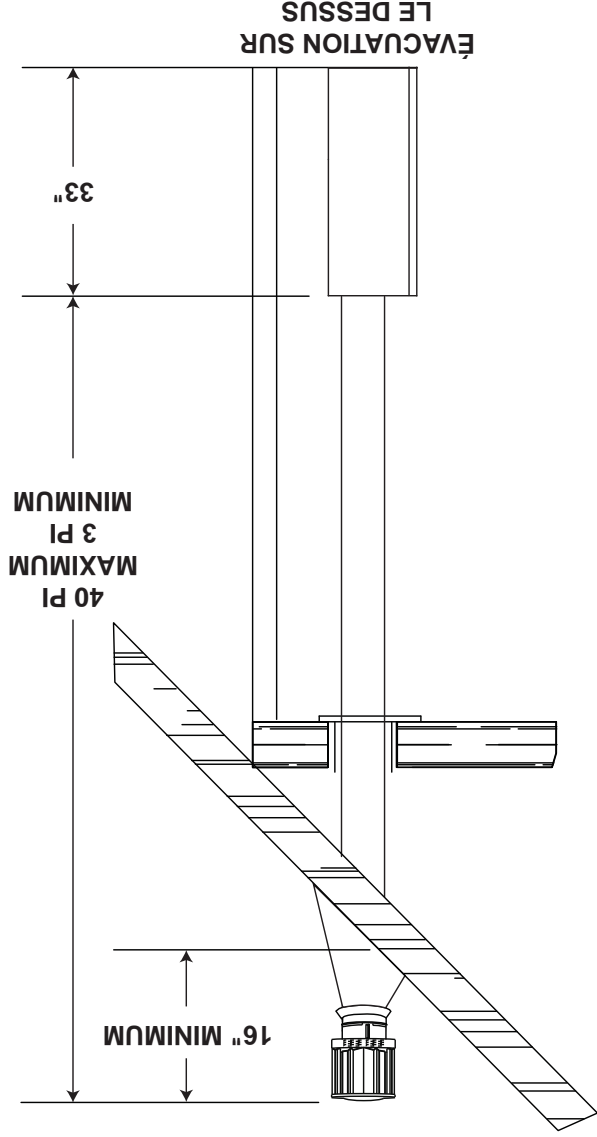
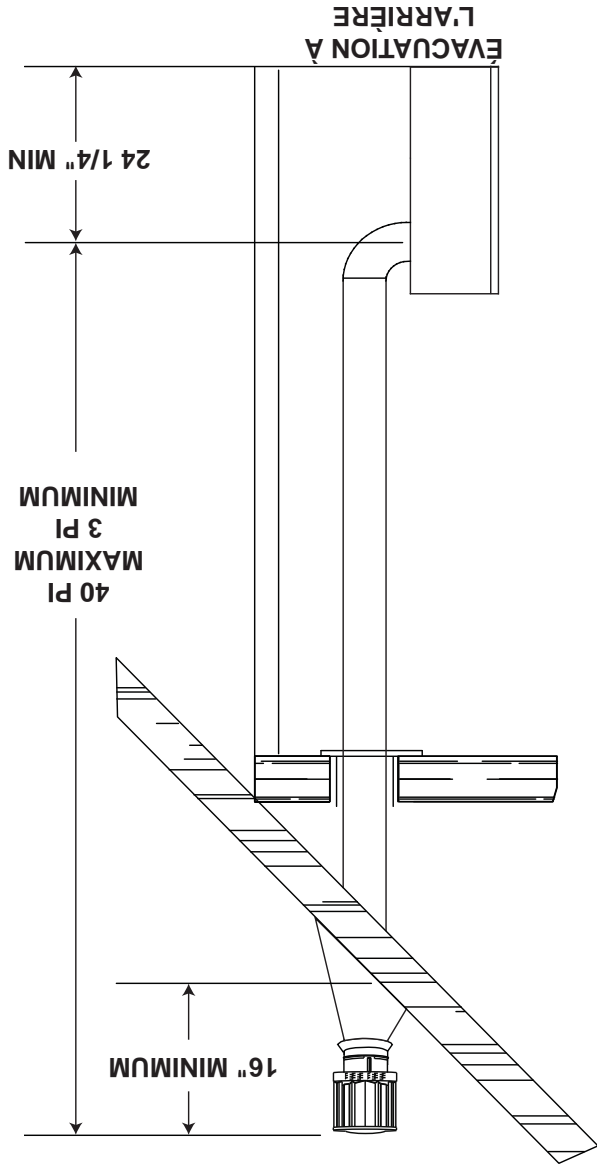


BCDV36



CDV36





3.2 INSTALLATIONS TYPQUES D'ÉVENTS

** Lorsqu'une course verticale est utilisée dans la configuration d'évacuation, une pente de 0" par pied est acceptable.

PENTE REQUISE POUR L'ÉVACUATION HORIZONTALE DU BCDV36				PENTE REQUISE POUR L'ÉVACUATION HORIZONTALE DU CDV36			
Évacuation	Évents rigides	1" /P1 **	1" /P1 **	Évacuation	Évents rigides	1" /P1 **	1" /P1 **
	Évents flexibles	1" /P1 **	1" /P1 **		Évents flexibles	1" /P1 **	1" /P1 **
Évacuation	Évents rigides	0" /P1	0" /P1	Évacuation	Évents rigides	0" /P1	0" /P1
	Évents flexibles	0" /P1	0" /P1		Évents flexibles	0" /P1	0" /P1
Évacuation	Évents rigides	0" /P1	0" /P1	Évacuation	Évents rigides	0" /P1	0" /P1
	Évents flexibles	0" /P1	0" /P1		Évents flexibles	0" /P1	0" /P1
Évacuation	Évents rigides	6"	6"	Évacuation	Évents rigides	6"	6"
	Évents flexibles	6"	6"		Évents flexibles	6"	6"

Pour une performance optimale, toutes les courses horizontales devraient avoir une élévation de 1" par pied.

3.1 LONGUEURS DES CONDUITS D'ÉVACUATION ET COMPOSANTS

Utilisez uniquement des composants d'évacuation Wolf Steel, Simpson Dura-Vent, Selkirk Direct Temp, American Metal Fab, American Metal Amerivent ou Metal-Fab. Les minimums et maximums des longueurs d'évent, pour les installations verticales et horizontales, et les emplacements des terminaisons pour les deux systèmes sont précisés dans ce manuel et doivent être respectés. Pour le Simpson Dura-Vent, le Selkirk Direct Temp, l'American Metal Amerivent et le Metal-Fab, suivez la procédure d'installation fournie avec les composants d'évacuation.

Un adaptateur de départ est nécessaire et peut être acheté chez le fournisseur correspondant :

PIÈCE	4"/1"	FOURNISSEUR	SITE WEB
Duravent	W175-0053	Wolf Steel	www.duravent.com
Amerivent	4DSC-N2	American Metal	www.americanmetalproducts.com
Direct Temp	4DT-AAN	Selkirk	www.selkirkcorp.com
SuperSeal	4DNA	Metal-Fab	www.mtfab.com

Pour le Simpson Dura-Vent, le Selkirk Direct Temp, l'American Metal Amerivent et le Metal-Fab, suivez la procédure d'installation qui se trouve sur le site Web de votre fournisseur.

Pour les systèmes d'évents dont le conduit intérieur d'évacuation possède déjà des joints scellés, seuls les joints du conduit extérieur de prise d'air doivent être scellés avec un scellant de silicone rouge à haute température (RTV). Ce même scellant peut être utilisé sur les joints des conduits intérieurs et extérieurs de tous les autres systèmes d'évents approuvés à l'exception du raccordement du conduit d'évacuation à la buse du foyer qui doit être scellé avec le scellant noir à haute température Mill Pac. Le scellant à haute température doit être commandé séparément.

Lorsque vous utilisez des composants d'évacuation Napoleon®, n'utilisez que des composants flexibles/rigides d'évacuation Wolf Steel liée conjointement avec les ensembles de terminaison suivants : les ensembles de terminaison murale **GD222, GD222R**, ou l'ensemble de terminaison pour toit de pente 1/12 à 7/12 **GD110**, l'ensemble de terminaison pour toit de pente 8/12 à 12/12 **GD111**, l'ensemble de terminaison pour toit plat **GD112** ou l'ensemble périscopique **GD201** (pour pénétration des murs sous le niveau du sol). Lorsque vous utilisez des conduits flexibles, conjointement avec les différentes terminaisons, utilisez l'ensemble d'évents de 5 pieds **GD220** ou l'ensemble d'évents de 10 pieds **GD330**.

Pour une performance optimale de l'appareil et une apparence optimale des flammes, gardez la longueur des événements et le nombre de coudes au minimum. La prise d'air de la terminaison extérieure doit demeurer dégagée en tout temps. Vérifiez la prise d'air de la terminaison au moins une fois l'an pour vous assurer qu'elle n'est pas obstruée ni endommagée.

Ne combinez pas de composants rigides ou flexibles ni de composants d'évacuation provenant de fabricants différents.

Ces ensembles d'évents permettent soit une évacuation verticale, soit une évacuation horizontale de l'appareil. La course horizontale doit être conservée à un maximum de 20 pieds. La hauteur totale permise pour un événement vertical est de 40 pieds. Lorsque vous utilisez des composants flexibles, le nombre maximal de raccordements est de deux horizontalement ou trois verticalement (excluant les raccordements à l'appareil et à la section de terminaison).

NOTE: Si, pour une raison quelconque, le système d'évacuation est défectueux, le plancher ou le plafond sont traversés, l'intérieur, le plancher ou le plafond sont traversés.

Afin d'assurer un fonctionnement sécuritaire et adéquat de l'appareil, vous devez observer les instructions d'évacuation à la lettre. Un changement à la longueur verticale minimale de l'évacuation pourrait entraîner des problèmes d'allumage du brûleur et/ou des accumulations de carbone. Sous des configurations d'évacuation extrêmes, allouez de 5 à 15 minutes pour que la flamme se stabilise après l'allumage. Prévoyez un moyen d'inspecter visuellement le raccord des évènements à l'appareil après que ce dernier a été installé. Utilisez un espace coupe-feu, un protecteur de conduit d'évacuation ou un écran thermique de grenier lorsque les murs intérieurs, le plancher ou le plafond sont traversés.

CET APPAREIL UTILISE UN SYSTÈME DE CONDUITS DE 4" POUR L'ÉVACUATION ET DE 7" POUR LA PRISE D'AIR.

VEUILLEZ CONSULTER LA SECTION QUI CORRESPOND À VOTRE INSTALLATION.

SI LE SYSTÈME D'ÉVÉNEMENT EST FOURNI AVEC DES ESPACEURS, LES COURSES HORIZONTALES ET VERTICALES OU DES ATTACHES INCOMBUSTIBLES ÉQUIVALENTS AFIN DE MAINTENIR LE DÉGAGEMENT AUX MATÉRIAUX COMBUSTIBLES. UTILISEZ L'ENSEMBLE DE SUPPORT MURAL WOLF STEEL W010-0370 OU DES SUPPORTS INCOMBUSTIBLES ÉQUIVALENTS POUR LES COURSES VERTICALES ET HORIZONTALES. DES ESPACEURS SONT FIXÉS AU CONDUIT INTÉRIEUR À INTÉRIEUR. POUR QUE LE FONCTIONNEMENT SOIT SÉCURITAIRE, UN ESPACE VIDE EST REQUIS. UN ESPACEUR EST REQUIS AU DÉBUT, AU MILIEU ET À LA FIN DE CHAQUE COUDE AFIN DE MAINTENIR CET ESPACE VIDE. N'ENLEVEZ PAS CES ESPACEURS.

RISQUE D'INCENDIE. CONSERVEZ LES DÉGAGEMENTS NÉCESSAIRES AU CONDUIT D'ÉVÉNEMENT ET À L'APPAREIL.

3.0 EVACUATION

Les évènements des modèles CDV36 et BCDV36 peuvent être installés sur le dessus ou à l'arrière.

Pour l'emplacement de la plaque d'homologation, voir la section « VUE D'ENSEMBLE DE L'INSTALLATION ». Cette illustration est à titre de référence seulement. Consultez la plaque d'homologation pour obtenir l'information précise.

INSTALLATEUR : Il est de votre responsabilité de cocher les cases appropriées sur la plaque d'homologation correspondant au modèle, au type d'évacuation et au type de gaz de l'appareil.

WOLF STEEL LTD.
 24 WOLFLEON ROAD, BARRIE, ON, L4M 0G8 CANADA

WOLF STEEL LTD.
 DÉGAGEMENT MINIMUM ET MAXIMUM:
 SEE OWNER'S INSTALLATION INSTRUCTION MANUAL FOR MINIMUM AND MAXIMUM VENT LENGTHS.
 DIRECTION POUR DES EXTENSIONS PLUS GRANDES:
 INSTRUCTION MINIMUM FOR GREATER EXTENSIONS REFER TO MANUAL.

MANTEL / MANTLE	2"
BACK / ARRIÈRE	0"
FLOOR / PLANCHER	0"
VENT SIDES / CÔTÉS	0"
VENT TOP / ÉVÉNEMENT SUPÉRIEUR	0"
RECESS DEPTH / PROFONDEUR D'ENCASTRE	13"

MINIMUM CLEARANCE TO COMBUSTIBLE MATERIALS
 DÉGAGEMENT MINIMUM DES MATÉRIAUX COMBUSTIBLES

DO NOT ADD ANY MATERIAL TO THE APPLIANCE, WHICH WILL COME IN CONTACT WITH THE FLAMES, OTHER THAN THAT SUPPLIED BY THE MANUFACTURER WITH THE APPLIANCE.

REPLACE ONLY WITH A FAST ACTING THERMOCOUPLE SUPPLIED BY WOLF STEEL LTD.

WARNING: THIS REPLACE USES AND REQUIRES A FAST ACTING THERMOCOUPLE.

NOT FOR USE WITH SOLID FUEL. FOR USE WITH GLASS DOORS CERTIFIED WITH THIS UNIT ONLY.

UN COMBUSTIBLE SOLIDE NE DOIT PAS ÊTRE UTILISÉ AVEC CET APPAREIL. UTILISER AVEC LES PORTES VITRÉES HOMOLOGUÉES SEULEMENT AVEC CETTE UNITÉ.

AVERTISSEMENT: CE FOYER UTILISE ET REQUIERT UN THERMOCOUPLE À ACTION RAPIDE. REMPLACEZ AVEC UN THERMOCOUPLE À ACTION RAPIDE DE WOLF STEEL LTD. N'AJOUTEZ PAS À CET APPAREIL AUCUN MATÉRIAU DÉGAGEMENT MINIMUM ET MAXIMUM:

AVERTISSEMENT: NE PAS AJOUTER DE MATÉRIAU À L'APPAREIL, SAUF CE QUI EST FOURNI AVEC CET APPAREIL PAR LE FABRICANT.

THE APPLIANCE MUST BE VENTED USING THE APPROPRIATE WOLF STEEL VENT KIT. SEE OWNER'S INSTALLATION MANUAL FOR VENTING OPTIONS. PROPER VENTING AND SEALING IS NECESSARY AFTER SERVING THE VENT AIR VENTING AND SEALING.

L'APPAREIL DOIT ÊTRE ÉVACUÉ EN UTILISANT L'ENSEMBLE D'ÉVACUATION PROPRE À WOLF STEEL. VOUS DEVEZ CONSULTER LE MANUEL D'INSTALLATION POUR LES OPTIONS D'ÉVACUATION ET LE SCELLEMENT.

OPTIONAL FAN KIT / ENSEMBLE DE VENTILATEUR FACULTATIF: G2560-KIT, G2665

SERIAL NUMBER/NO. DE SERIE: BGD36

9700539 (WSL) 4001638 (NAC) 4001659 (WUSA) 4001657 (NGZ)

Intertek

CSA 2.23-2009, ANSI Z21.906-2009 VENTED GAS FIREPLACE / FOYER AU GAZ AVEC ÉVACUATION DIRECTE UNDER / HOMOLOGUÉ SELON LES NOMMES: CSA 2.23-2009, ANSI Z21.906-2009 VENTED GAS FIREPLACE / FOYER AU GAZ AVEC ÉVACUATION DIRECTE

BE SURE TO FOLLOW THE CURRENT STANDARD CAN/CSA 2.23-04M INSTALLATION, SUITABLE FOR MOBILE HOME INSTALLATION IF BE SURE TO FOLLOW THE CURRENT STANDARD CAN/CSA 2.23-04M SERIES GAS EQUIPPED MOBILE HOMES, IN CANADA OR IN THE UNITED STATES. THIS US STANDARD IS NOT APPLICABLE. USE THE STANDARD FOR MANUFACTURED HOME INSTALLATIONS, SITES AND COMMUNITIES, ANSI/NFPA 501A, WHEN INSTALLED WITH SOBERN KIT G2-56KIT. THE REPLACE COMPLES WITH COA CERTIFICATION REQUIREMENT CR95-006.

MANITOWOC PRESSURE: 3.5" WATER COLUMN
 12,000 BTU/h
 REDUCED INPUT / ALIMENTATION RÉDUITE: 12,000 BTU/h

MINIMUM SUPPLY PRESSURE: 4.5" WATER COLUMN
 PRESSURE AU COLLECTEUR: 4.5" D'UNE COLONNE D'EAU

MINIMUM SUPPLY PRESSURE: 4.5" WATER COLUMN
 PRESSURE D'ALIMENTATION MINIMALE: 4.5" D'UNE COLONNE D'EAU

MAXIMUM SUPPLY PRESSURE: 7.0" WATER COLUMN
 PRESSURE D'ALIMENTATION MAXIMALE: 7.0" D'UNE COLONNE D'EAU

MINIMUM SUPPLY PRESSURE: 11" WATER COLUMN
 PRESSURE D'ALIMENTATION MINIMALE: 11" D'UNE COLONNE D'EAU

MAXIMUM SUPPLY PRESSURE: 13" WATER COLUMN
 PRESSURE D'ALIMENTATION MAXIMALE: 13" D'UNE COLONNE D'EAU

MODEL BCD36NTR BCD36PTR BCD36PTR

ATTITUDE / ÉLEVATION 0-4500FT (0-1370m)

4001657 (NGZ) 4001659 (WUSA) 4001638 (NAC)

CR95-006

2.5 INFORMATION À PROPOS DE LA PLAQUE D'HOMOLOGATION

INFORMATIONS GÉNÉRALES

POUR VOTRE SATISFACTION, CET APPAREIL A ÉTÉ MIS À L'ESSAI POUR CONFIRMER SON FONCTIONNEMENT ET SA QUALITÉ!


4.1A

L'installation doit se conformer aux codes locaux. En l'absence de codes locaux, l'installation doit être conforme au Code d'installation du gaz naturel et du propane CSA B149.1 au Canada ou au National Fuel Gas Code, ANSI Z223.1/NFPA 54 aux États-Unis. Cet appareil convient pour installation dans une maison mobile si l'installation est conforme aux normes actuelles pour les maisons mobiles équipées au gaz CAN/CSA Z240 SÉRIE MM au Canada ou selon les normes ANSI Z223.1 et NFPA 54 aux États-Unis.

Tant que les distances requises pour les dégagements aux matériaux combustibles sont respectées, le meilleur endroit pour un appareil est le centre de la maison, car ceci permet une meilleure utilisation de la chaleur fournie. L'emplacement des fenêtres, des portes et la circulation dans la pièce où se trouve l'appareil devront être pris en considération. Si possible, vous devriez choisir un emplacement où le système d'évent peut passer à travers la maison sans avoir à découper des solives de plancher ou de toit. Si l'appareil est installé directement sur un tapis, sur une surface de vinyle ou tout autre revêtement de plancher combustible autre que le bois, l'appareil devra être monté sur un panneau continu de métal ou de bois se prolongeant sur toute la largeur et la profondeur.

Certains appareils ont une soufflerie ou un ensemble de deux souffleries optionnel. Si la soufflerie ou l'ensemble de deux souffleries optionnel est installé, la boîte de dérivation doit être branchée au circuit électrique et mise à la terre conformément aux codes locaux. Utilisez la version courante du Code canadien de l'électricité CSA C22.1 au Canada ou le National Electrical Code ANSI/NFPA 70 aux États-Unis.

Nous suggérons que nos appareils au gaz soient installés et que l'entretien soit effectué par des professionnels certifiés par le National Fireplace Institute® (NFI) comme spécialiste du gaz NFI.



www.nficertified.org

RENDEMENTS ET EFFICACITÉS DU BCDV36			RENDEMENTS ET EFFICACITÉS DU BCDV36		
Altitude (PI)	Débit max. (BTU/H)	Rend. max. (BTU/H)	Efficacité (sout. allumée)	A.F.U.E.	Pression minimale d'alimentation en gaz
0-4 500	17 000	11 500	64 %	53 %	4,5" de colonne d'eau
0-4 500	18 000	10 900	64 %	53 %	11" de colonne d'eau
0-4 500	26 000	22 880	88 %	65 %	4,5" de colonne d'eau
0-4 500	26 000	22 360	86 %	64 %	11" de colonne d'eau
0-4 500	26 000	22 880	88 %	65 %	4,5" de colonne d'eau
0-4 500	17 000	10 900	64 %	53 %	11" de colonne d'eau
0-4 500	18 000	11 500	64 %	53 %	4,5" de colonne d'eau
0-4 500	17 000	10 900	64 %	53 %	11" de colonne d'eau
0-4 500	18 000	11 500	64 %	53 %	4,5" de colonne d'eau
0-4 500	26 000	22 880	88 %	65 %	4,5" de colonne d'eau
0-4 500	26 000	22 360	86 %	64 %	11" de colonne d'eau
0-4 500	26 000	22 880	88 %	65 %	4,5" de colonne d'eau
0-4 500	17 000	10 900	64 %	53 %	11" de colonne d'eau
0-4 500	18 000	11 500	64 %	53 %	4,5" de colonne d'eau
0-4 500	17 000	10 900	64 %	53 %	11" de colonne d'eau
0-4 500	18 000	11 500	64 %	53 %	4,5" de colonne d'eau
0-4 500	26 000	22 880	88 %	65 %	4,5" de colonne d'eau
0-4 500	26 000	22 360	86 %	64 %	11" de colonne d'eau
0-4 500	26 000	22 880	88 %	65 %	4,5" de colonne d'eau
0-4 500	17 000	10 900	64 %	53 %	11" de colonne d'eau
0-4 500	18 000	11 500	64 %	53 %	4,5" de colonne d'eau
0-4 500	17 000	10 900	64 %	53 %	11" de colonne d'eau
0-4 500	18 000	11 500	64 %	53 %	4,5" de colonne d'eau
0-4 500	26 000	22 880	88 %	65 %	4,5" de colonne d'eau
0-4 500	26 000	22 360	86 %	64 %	11" de colonne d'eau
0-4 500	26 000	22 880	88 %	65 %	4,5" de colonne d'eau
0-4 500	17 000	10 900	64 %	53 %	11" de colonne d'eau
0-4 500	18 000	11 500	64 %	53 %	4,5" de colonne d'eau
0-4 500	17 000	10 900	64 %	53 %	11" de colonne d'eau
0-4 500	18 000	11 500	64 %	53 %	4,5" de colonne d'eau
0-4 500	26 000	22 880	88 %	65 %	4,5" de colonne d'eau
0-4 500	26 000	22 360	86 %	64 %	11" de colonne d'eau
0-4 500	26 000	22 880	88 %	65 %	4,5" de colonne d'eau
0-4 500	17 000	10 900	64 %	53 %	11" de colonne d'eau
0-4 500	18 000	11 500	64 %	53 %	4,5" de colonne d'eau
0-4 500	17 000	10 900	64 %	53 %	11" de colonne d'eau
0-4 500	18 000	11 500	64 %	53 %	4,5" de colonne d'eau
0-4 500	26 000	22 880	88 %	65 %	4,5" de colonne d'eau
0-4 500	26 000	22 360	86 %	64 %	11" de colonne d'eau
0-4 500	26 000	22 880	88 %	65 %	4,5" de colonne d'eau
0-4 500	17 000	10 900	64 %	53 %	11" de colonne d'eau
0-4 500	18 000	11 500	64 %	53 %	4,5" de colonne d'eau
0-4 500	17 000	10 900	64 %	53 %	11" de colonne d'eau
0-4 500	18 000	11 500	64 %	53 %	4,5" de colonne d'eau
0-4 500	26 000	22 880	88 %	65 %	4,5" de colonne d'eau
0-4 500	26 000	22 360	86 %	64 %	11" de colonne d'eau
0-4 500	26 000	22 880	88 %	65 %	4,5" de colonne d'eau
0-4 500	17 000	10 900	64 %	53 %	11" de colonne d'eau
0-4 500	18 000	11 500	64 %	53 %	4,5" de colonne d'eau
0-4 500	17 000	10 900	64 %	53 %	11" de colonne d'eau
0-4 500	18 000	11 500	64 %	53 %	4,5" de colonne d'eau
0-4 500	26 000	22 880	88 %	65 %	4,5" de colonne d'eau
0-4 500	26 000	22 360	86 %	64 %	11" de colonne d'eau
0-4 500	26 000	22 880	88 %	65 %	4,5" de colonne d'eau
0-4 500	17 000	10 900	64 %	53 %	11" de colonne d'eau
0-4 500	18 000	11 500	64 %	53 %	4,5" de colonne d'eau
0-4 500	17 000	10 900	64 %	53 %	11" de colonne d'eau
0-4 500	18 000	11 500	64 %	53 %	4,5" de colonne d'eau
0-4 500	26 000	22 880	88 %	65 %	4,5" de colonne d'eau
0-4 500	26 000	22 360	86 %	64 %	11" de colonne d'eau
0-4 500	26 000	22 880	88 %	65 %	4,5" de colonne d'eau
0-4 500	17 000	10 900	64 %	53 %	11" de colonne d'eau
0-4 500	18 000	11 500	64 %	53 %	4,5" de colonne d'eau
0-4 500	17 000	10 900	64 %	53 %	11" de colonne d'eau
0-4 500	18 000	11 500	64 %	53 %	4,5" de colonne d'eau
0-4 500	26 000	22 880	88 %	65 %	4,5" de colonne d'eau
0-4 500	26 000	22 360	86 %	64 %	11" de colonne d'eau
0-4 500	26 000	22 880	88 %	65 %	4,5" de colonne d'eau
0-4 500	17 000	10 900	64 %	53 %	11" de colonne d'eau
0-4 500	18 000	11 500	64 %	53 %	4,5" de colonne d'eau
0-4 500	17 000	10 900	64 %	53 %	11" de colonne d'eau
0-4 500	18 000	11 500	64 %	53 %	4,5" de colonne d'eau
0-4 500	26 000	22 880	88 %	65 %	4,5" de colonne d'eau
0-4 500	26 000	22 360	86 %	64 %	11" de colonne d'eau
0-4 500	26 000	22 880	88 %	65 %	4,5" de colonne d'eau
0-4 500	17 000	10 900	64 %	53 %	11" de colonne d'eau
0-4 500	18 000	11 500	64 %	53 %	4,5" de colonne d'eau
0-4 500	17 000	10 900	64 %	53 %	11" de colonne d'eau
0-4 500	18 000	11 500	64 %	53 %	4,5" de colonne d'eau
0-4 500	26 000	22 880	88 %	65 %	4,5" de colonne d'eau
0-4 500	26 000	22 360	86 %	64 %	11" de colonne d'eau
0-4 500	26 000	22 880	88 %	65 %	4,5" de colonne d'eau
0-4 500	17 000	10 900	64 %	53 %	11" de colonne d'eau
0-4 500	18 000	11 500	64 %	53 %	4,5" de colonne d'eau
0-4 500	17 000	10 900	64 %	53 %	11" de colonne d'eau
0-4 500	18 000	11 500	64 %	53 %	4,5" de colonne d'eau
0-4 500	26 000	22 880	88 %	65 %	4,5" de colonne d'eau
0-4 500	26 000	22 360	86 %	64 %	11" de colonne d'eau
0-4 500	26 000	22 880	88 %	65 %	4,5" de colonne d'eau
0-4 500	17 000	10 900	64 %	53 %	11" de colonne d'eau
0-4 500	18 000	11 500	64 %	53 %	4,5" de colonne d'eau
0-4 500	17 000	10 900	64 %	53 %	11" de colonne d'eau
0-4 500	18 000	11 500	64 %	53 %	4,5" de colonne d'eau
0-4 500	26 000	22 880	88 %	65 %	4,5" de colonne d'eau
0-4 500	26 000	22 360	86 %	64 %	11" de colonne d'eau
0-4 500	26 000	22 880	88 %	65 %	4,5" de colonne d'eau
0-4 500	17 000	10 900	64 %	53 %	11" de colonne d'eau
0-4 500	18 000	11 500	64 %	53 %	4,5" de colonne d'eau
0-4 500	17 000	10 900	64 %	53 %	11" de colonne d'eau
0-4 500	18 000	11 500	64 %	53 %	4,5" de colonne d'eau
0-4 500	26 000	22 880	88 %	65 %	4,5" de colonne d'eau
0-4 500	26 000	22 360	86 %	64 %	11" de colonne d'eau
0-4 500	26 000	22 880	88 %	65 %	4,5" de colonne d'eau
0-4 500	17 000	10 900	64 %	53 %	11" de colonne d'eau
0-4 500	18 000	11 500	64 %	53 %	4,5" de colonne d'eau
0-4 500	17 000	10 900	64 %	53 %	11" de colonne d'eau
0-4 500	18 000	11 500	64 %	53 %	4,5" de colonne d'eau
0-4 500	26 000	22 880	88 %	65 %	4,5" de colonne d'eau
0-4 500	26 000	22 360	86 %	64 %	11" de colonne d'eau
0-4 500	26 000	22 880	88 %	65 %	4,5" de colonne d'eau
0-4 500	17 000	10 900	64 %	53 %	11" de colonne d'eau
0-4 500	18 000	11 500	64 %	53 %	4,5" de colonne d'eau
0-4 500	17 000	10 900	64 %	53 %	11" de colonne d'eau
0-4 500	18 000	11 500	64 %	53 %	4,5" de colonne d'eau
0-4 500	26 000	22 880	88 %	65 %	4,5" de colonne d'eau
0-4 500	26 000	22 360	86 %	64 %	11" de colonne d'eau
0-4 500	26 000	22 880	88 %	65 %	4,5" de colonne d'eau
0-4 500	17 000	10 900	64 %	53 %	11" de colonne d'eau
0-4 500	18 000	11 500	64 %	53 %	4,5" de colonne d'eau
0-4 500	17 000	10 900	64 %	53 %	11" de colonne d'eau
0-4 500	18 000	11 500	64 %	53 %	4,5" de colonne d'eau
0-4 500	26 000	22 880	88 %	65 %	4,5" de colonne d'eau
0-4 500	26 000	22 360	86 %	64 %	11" de colonne d'eau
0-4 500	26 000	22 880	88 %	65 %	4,5" de colonne d'eau
0-4 500	17 000	10 900	64 %	53 %	11" de colonne d'eau
0-4 500	18 000	11 500	64 %	53 %	4,5" de colonne d'eau
0-4 500	17 000	10 900	64 %	53 %	11" de colonne d'eau
0-4 500	18 000	11 500	64 %	53 %	4,5" de colonne d'eau
0-4 500	26 000	22 880	88 %	65 %	4,5" de colonne d'eau
0-4 500	26 000	22 360	86 %	64 %	11" de colonne d'eau
0-4 500	26 000	22 880	88 %	65 %	4,5" de colonne d'eau
0-4 500	17 000	10 900	64 %	53 %	11" de colonne d'eau
0-4 500	18 000	11 500	64 %	53 %	4,5" de colonne d'eau
0-4 500	17 000	10 900	64 %	53 %	11" de colonne d'eau
0-4 500	18 000	11 500	64 %	53 %	4,5" de colonne d'eau
0-4 500	26 000	22 880	88 %	65 %	4,5" de colonne d'eau
0-4 500	26 000	22 360	86 %	64 %	11" de colonne d'eau
0-4 500	26 000	22 880	88 %	65 %	4,5" de colonne d'eau
0-4 500	17 000	10 900	64 %	53 %	11" de colonne d'eau
0-4 500	18 000	11 500	64 %	53 %	4,5" de colonne d'eau
0-4 500	17 000	10 900	64 %	53 %	11" de colonne d'eau
0-4 500	18 000	11 500	64 %	53 %	4,5" de colonne d'eau
0-4 500	26 000	22 880	88 %	65 %	4,5" de colonne d'eau
0-4 500	26 000	22 360	86 %	64 %	11" de colonne d'eau
0-4 500	26 000	22 880	88 %	65 %	4,5" de colonne d'eau
0-4 500	17 000	10 900	64 %	53 %	11" de colonne d'eau
0-4 500	18 000	11 500	64 %	53 %	4,5" de colonne d'eau
0-4 500	17 000	10 900	64 %	53 %	11" de colonne d'eau
0-4 500	18 000	11 500	64 %	53 %	4,5" de colonne d'eau
0-4 500	26 000	22 880	88 %		

⚠ AVERTISSEMENT

ALLUMEZ TOUJOURS LA VEILLEUSE, QUE CE SOIT POUR LA PREMIÈRE FOIS OU LORSQUE L'APPROVISIONNEMENT EN GAZ EST ÉPUISÉ, AVEC LA PORTE VITRÉE OUVERTE OU RETIRÉE.

PRÉVOYEZ UN ACCÈS SUFFISANT POUR ENTREtenir ET OPÉRER L'APPAREIL. ASSUREZ-VOUS D'UNE QUANTITÉ SUFFISANTE D'AIR DE VENTILATION.

N'OBSTREZ JAMAIS L'OUVERTURE DE L'APPAREIL.

LES OBJETS PLACÉS DEVANT L'APPAREIL DOIVENT ÊTRE GARDÉS À UNE DISTANCE D'AU MOINS 48" DE LA FACE VITRÉE DE L'APPAREIL.

LES SURFACES AUTOUR ET SURTOUT AU-DESSUS DE L'APPAREIL PEUVENT DEVENIR CHAUDES. NE TOUCHEZ PAS L'APPAREIL QU'AND IL FONCTIONNE.

RISQUE D'INCENDIE OU D'EXPLOSION.

LES PRESSIONS ÉLEVÉES ENDOMMAGERONT LA SOUPAPE. L'ALIMENTATION EN GAZ DOIT ÊTRE DÉBRANCHÉE PENDANT LES ESSAIS DE PRESSION DE CE SYSTÈME LORSQUE LES PRESSIONS D'ESSAI EXCÈDENT ½ LB/PO² (3,5 KPA), FERMEZ LA SOUPAPE D'ARRÊT MANUELLE PENDANT TOUT ESSAI DE PRESSION DU SYSTÈME D'ALIMENTATION EN GAZ LORSQUE LA PRESSION EST DE ½ LB/PO² (3,5 KPA) OU MOINS.

N'UTILISEZ QUE LES ACCESSOIRES OPTIONNELS ET LES PIÈCES DE REMPLACEMENT APPROUVÉES PAR WOLF STEEL POUR CET APPAREIL. L'UTILISATION D'ACCESSOIRES NON LISTÉS (SOUFFLERIE, PORTES, PERSIENNES, MOULURES, COMPOSANTS DE GAZ, COMPOSANTS D'ÉVACUATION, ETC.) POURRAIT ÊTRE NON SÉCURITAIRE ET ANNULER LA GARANTIE ET LA CERTIFICATION.

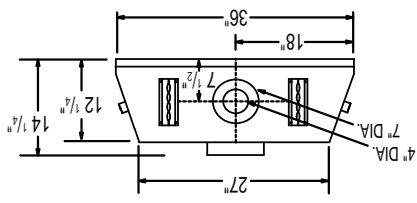
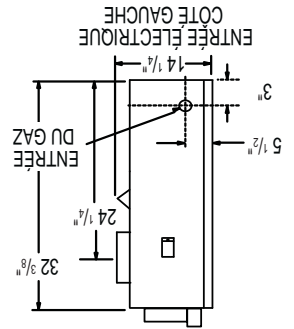
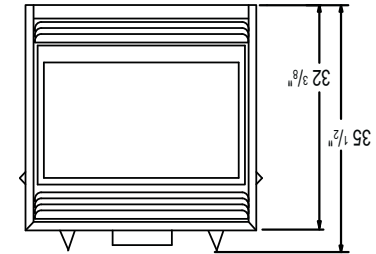
CET APPAREIL AU GAZ DEVRAIT ÊTRE INSTALLÉ ET ENTRETENU PAR UN INSTALLATEUR QUALIFIÉ EN SE CONFORMANT

aux codes locaux. Les pratiques d'installation peuvent varier d'une région à l'autre. Il est donc important de connaître les normes spécifiques qui s'appliquent à votre région. Par exemple dans l'état du Massachusetts:

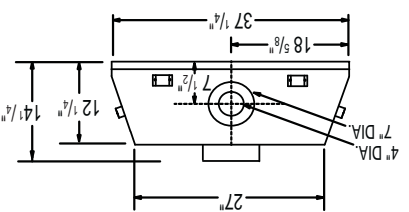
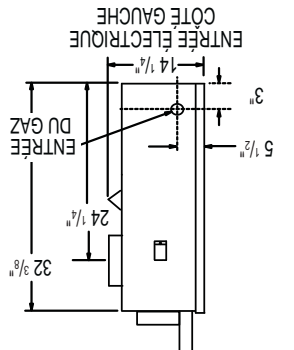
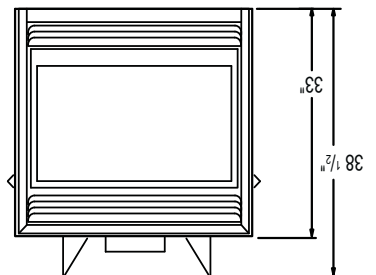
- Ce produit doit être installé par un plombier certifié ou un installateur pour le gaz lorsque installé dans le Commonwealth du Massachusetts.
- Le registre de l'appareil doit être enlevé ou bloqué en le soudant en position ouverte avant d'installer un encastrement ou un ensemble de bûches à gaz.
- La soupape d'arrêt doit être un robinet à gaz avec une poignée en T.
- Le raccord flexible ne doit pas mesurer plus que 36 pouces.
- Un détecteur de monoxyde de carbone est requis dans toutes les pièces contenant des appareils alimentés au gaz.
- L'appareil n'est pas approuvé pour installation dans une chambre à coucher ou une salle de bain à moins d'être un appareil avec une chambre de combustion scellée à évacuation directe.

2.3 INSTRUCTIONS GÉNÉRALES

2.2 DIMENSIONS DU BCDV36



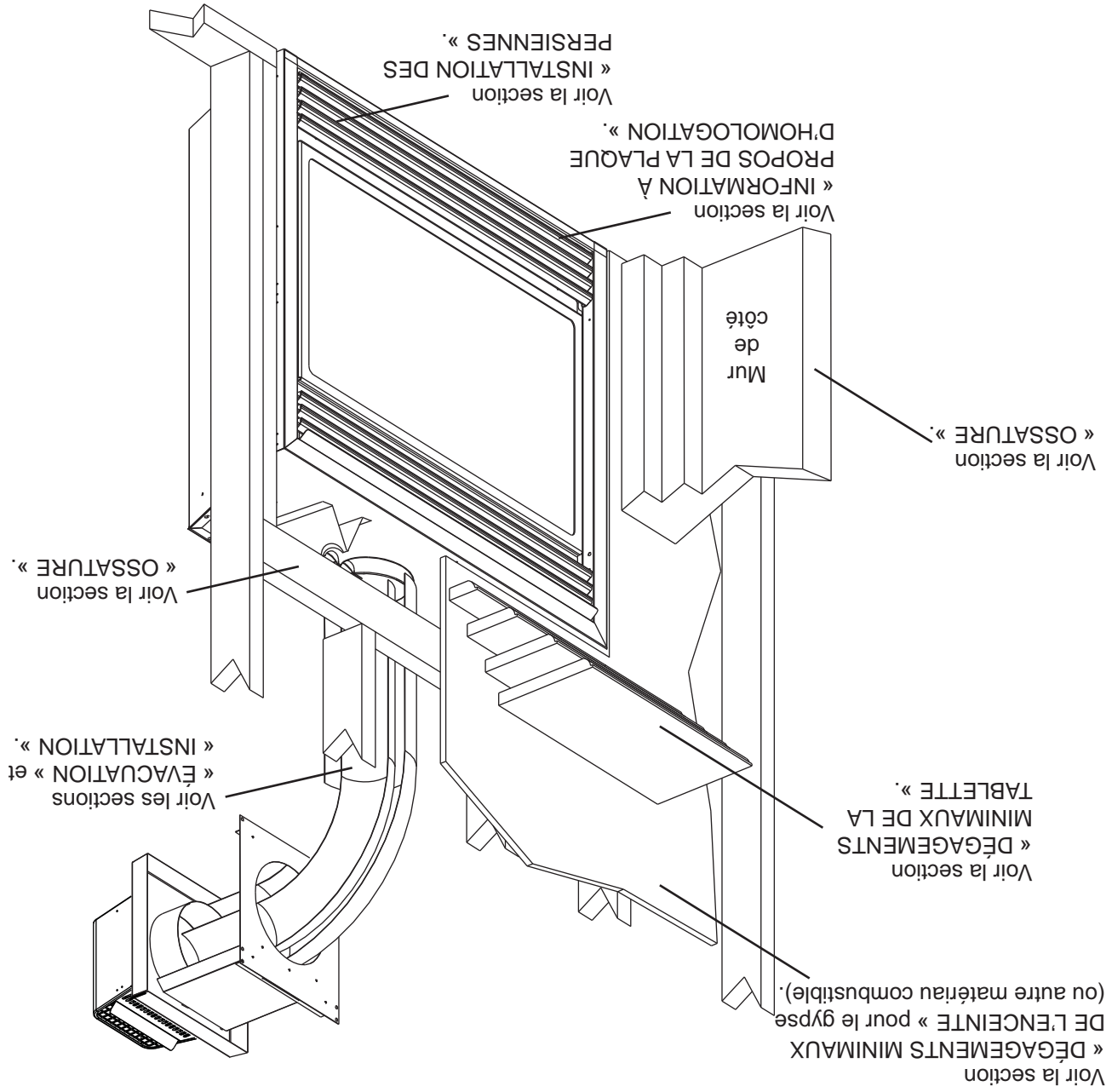
2.1 DIMENSIONS DU CDV36



! AVERTISSEMENT

- **CET APPAREIL EST CHAUD LORSQU'IL FONCTIONNE ET PEUT CAUSER DE GRAVES BRÛLURES EN CAS DE CONTACT.**
- **TOUTE MODIFICATION APPORTÉE À CET APPAREIL OU AUX CONTRÔLES PEUT ÊTRE DANGEREUSE ET EST INTERDIT.**

- Ne faites pas fonctionner l'appareil avant d'avoir lu et compris les instructions d'opération. Omettre d'utiliser l'appareil selon les instructions d'opération pourrait causer un incendie ou des blessures.
- Risque d'incendie ou d'asphyxie. Ne faites pas fonctionner l'appareil avec la vitre retirée.
- Ne branchez pas la source à du courant 110 volts.
- Risque de brûlures. L'appareil doit être éteint et refroidi avant d'effectuer un entretien.
- N'installez pas de composants endommagés ou incomplets ni des composants substitués.
- Risque de coupures et d'éraflures. Portez des gants protecteurs et des lunettes de sécurité lors de l'installation. Les bordures des pièces de métal peuvent être coupantes.
- Ne brûliez pas de bois ou autres matériaux dans cet appareil.
- Les enfants et les adultes devraient être informés des dangers que posent les températures de surface élevées et se tenir à distance afin d'éviter des brûlures ou que leurs vêtements ne s'enflamment.
- Les jeunes enfants doivent être supervisés attentivement lorsqu'ils sont dans la même pièce que l'appareil. Les jeunes enfants et autres personnes sont sujets aux brûlures accidentelles. Une barrière de protection est recommandée si des individus à risque se trouvent dans la maison. Afin de restreindre l'accès à l'appareil, installez une barrière de protection ajustable pour garder les jeunes enfants ou autres personnes à risque hors de la pièce et loin des surfaces chaudes.
- Les vêtements et autres matériaux combustibles ne doivent pas être posés sur l'appareil ou à proximité.
- En raison des températures élevées, l'appareil devrait être placé loin des endroits passants et loin des meubles et des rideaux. Assurez-vous de disposer de mesures de sécurité adéquates pour empêcher les jeunes enfants de toucher aux surfaces chaudes.
- Même une fois que l'appareil est éteint, la vitre et/ou le pare-étincelles demeureront chauds pendant un temps prolongé. Consultez votre détaillant local de foyer pour connaître les grillages de sécurité et les écrans offerts pour protéger les enfants des surfaces chaudes. Ces grillages de sécurité et ces écrans doivent être fixés au plancher.
- Les grillages de sécurité ou écrans enlevés pour faire l'entretien devront être remis en place avant d'utiliser l'appareil.
- Cet appareil est un appareil à gaz ventilé. Ne brûliez pas de bois ou autres matériaux dans cet appareil.
- Il est primordial de garder propres les compartiments de contrôle, les brûleurs, la soufflerie, les bouches d'air de l'appareil ainsi que le système d'évacuation. L'appareil et son système d'évacuation doivent être inspectés avant la première utilisation et au moins une fois l'an par un spécialiste en entretien. Un entretien plus fréquent pourrait être nécessaire en raison des peluches provenant des tapis, literie, etc. L'emplacement de l'appareil doit être gardé libre de tous matériaux combustibles, essence ou autres liquides et vapeurs inflammables.
- Cet appareil ne devra être modifié en aucun cas.
- Cet appareil ne doit pas être raccordé au conduit d'une cheminée desservant un autre appareil de chauffage à combustible solide.
- N'utilisez pas cet appareil si une partie quelconque a été submergée. Contactez immédiatement un technicien de service qualifié pour inspecter l'appareil et pour remplacer toute pièce du système de contrôle et du contrôle du gaz qui aurait été submergée. Ne pas opérer l'appareil lorsque la porte vitrée est enlevée, fissurée ou brisée. Le remplacement de la vitre devra être effectuée par un technicien de service certifié ou qualifié.
- Ne frappez pas et ne cliquez pas la porte vitrée de l'appareil.
- Lorsque l'appareil est muni de portes d'évacuation de pression, elles doivent demeurer fermées pendant le fonctionnement de l'appareil afin d'empêcher les gaz de combustion contenant du monoxyde de carbone de s'infiltrer dans la maison.
- Seules les portes/fagades certifiées pour cet appareil peuvent être utilisées avec cet appareil.
- Gardez les matériaux d'emballage hors de la portée des enfants et mettez ces matériaux au rebut de façon sécuritaire. Comme tous les emballages de plastique, ces matériaux ne sont pas des jouets et doivent demeurer hors de la portée des enfants et des bébés.
- Comme dans le cas de tout appareil à combustion, il est recommandé de faire inspecter et entretenir votre appareil régulièrement. De même, installez un détecteur de monoxyde de carbone dans la pièce pour vous protéger, ainsi que votre famille, contre les intoxications.
- Assurez-vous de respecter les dégagements aux matériaux combustibles lorsque vous installez un manteau ou des tablettes au-dessus de l'appareil. Les téléviseurs et autres composants électroniques soumis à des températures élevées peuvent fondre, se déformer, se décolorer et entraîner des défaillances prématurées de ces appareils.
- Cet appareil utilise et requiert un thermocouple à action rapide. Remplacez uniquement par un thermocouple à action rapide de Wolf Steel l'itée.



1.0 VUE D'ENSEMBLE DE L'INSTALLATION

TABLE DES MATIÈRES

1.0	VUE D'ENSEMBLE DE L'INSTALLATION	
2.0	INTRODUCTION	
	DIMENSIONS DU CDV36	2.1
	DIMENSIONS DU BCDV36	2.2
	INSTRUCIONS GÉNÉRALES	2.3
	INFORMATIONS GÉNÉRALES	2.4
	INFORMATION À PROPOS DE LA PLAQUE D'HOMOLOGATION	2.5
3.0	EVACUATION	
	LONGUEURS DES CONDUITS D'EVACUATION ET COMPOSANTS	3.1
	LONGUEURS TYPIQUES D'ÉVÉNEMENTS	3.2
	INSTALLATIONS PARTICULIÈRES D'ÉVÉNEMENTS	3.3
	ENSEMBLE PÉRISCOPE (CDV36 ET BCDV36)	3.3.1
	INSTALLATION EN COIN	3.3.2
	EMPLACEMENTS ET DÉGAGEMENTS MINIMAUX DE LA TERMINAISON	3.4
	CHARTRE D'APPLICATION DES EVACUATIONS	3.5
	LÉGENDE	3.6
	VALEURS DU COUDE EN LONGUEURS D'ÉVÉNEMENT	3.7
	EVACUATION SUR LE DESSUS TERMINAISON HORIZONTALE	3.8
	EVACUATION À L'ARRIÈRE TERMINAISON HORIZONTALE	3.9
	EVACUATION SUR LE DESSUS OU À L'ARRIÈRE TERMINAISON VERTICALE	3.10
4.0	PRÉPARATION AVANT L'INSTALLATION	
	EVACUATION À L'ARRIÈRE DU CDV36	4.1
	EVACUATION SUR LE DESSUS DU CDV36	4.2
	EVACUATION À L'ARRIÈRE DU BCDV36	4.3
	EVACUATION SUR LE DESSUS DU BCDV36	4.4
5.0	INSTALLATION	
	PROTECTION DU MUR ET DU PLAFOND	5.1
	INSTALLATION HORIZONTALE DU CDV36	5.1.1
	INSTALLATION HORIZONTALE DU BCDV36	5.1.2
	INSTALLATION VERTICALE	5.1.3
	UTILISATION DE COMPOSANTS FLEXIBLES D'EVACUATION	5.2
	INSTALLATION DE LA TERMINAISON HORIZONTALE	5.2.1
	INSTALLATION DE LA TERMINAISON VERTICALE	5.2.2
	RACCORDEMENT DES ÉVÉNEMENTS À L'APPAREIL	5.2.3
	UTILISATION DE COMPOSANTS RIGIDES D'EVACUATION	5.3
	INSTALLATION DE LA TERMINAISON HORIZONTALE	5.3.1
	INSTALLATION DE LA TERMINAISON HORIZONTALE PROLONGÉE AJUSTABLE	5.3.2
	INSTALLATION DE LA TERMINAISON VERTICALE	5.3.3
	ÉTRANGLEMENT DES ÉVÉNEMENTS VERTICAUX DU CDV36	5.3.4
	VERTICAL PAR CHIMINÉE EXISTANT	5.4
	INSTALLATION DANS UNE MAISON MOBILE	5.5
	BRANCHEMENT DU GAZ	5.6
	INTERRUPTEUR MURAL OPTIONNEL	5.7
6.0	OSSATURE	
	OSSATURE DU CDV36	6.1
	DIMENSIONS MINIMALES DE L'OSSATURE	6.1.1
	OSSATURE DU BCDV36	6.2
	DIMENSIONS MINIMALES DE L'OSSATURE	6.2.1
	DÉGAGEMENTS MINIMAUX DE L'ENCEINTE	6.3
	CDV36	6.3.1
	BCDV36	6.3.2
	DÉGAGEMENTS D'UNE ALCÔVE	6.4
	DÉGAGEMENTS MINIMAUX DE LA TABLETTE	6.5
	INSTALLATION DES SUPPORTS DE FIXATION DU BCDV36	6.6
7.0	FINITIONS	
	OUVERTURE ET FERMETURE DE LA PORTE	7.1
	INSTALLATION DES PERSIENNES	7.2
	DISPOSITION DES BÛCHES	7.3
	BRAISES DE CHARBON DE BOIS	7.4
	VERMICULITE (MODELE CDV36 SEULEMENT)	7.5
	BRAISES INCANDESCENTES	7.6
	MISE EN PLACE DU LOGO	7.7
	ENSEMBLE DE ROCHES OPTIONNEL	7.8
8.0	INSTALLATION DE LA SOUFFLERIE OPTIONNELLE	
9.0	FONCTIONNEMENT	
10.0	RÉGLAGES	
	RÉGLAGE DE LA VEILLEUSE	10.1
	RÉGLAGE DU VENTURI	10.2
	CARACTÉRISTIQUES DE LA FLAMME	10.3
11.0	ENTRETIEN	
	REMPACEMENT DE LA VITRE DE PORTE	11.1
	SOINS DE LA VITRE	11.2
12.0	RECHANGES	
13.0	GUIDE DE DÉPANNAGE	
14.0	GARANTIE	
15.0	HISTORIQUE D'ENTRETIEN	
3		
4		
5		
5		
6		
7		
7		
8		
9		
11		
11		
11		
11		
12		
13		
14		
14		
14		
15		
17		
19		
21		
21		
21		
22		
22		
22		
23		
23		
24		
24		
25		
25		
26		
26		
26		
27		
27		
27		
28		
28		
29		
30		
30		
30		
31		
31		
31		
32		
32		
33		
34		
35		
35		
36		
36		
36		
37		
38		
38		
39		
40		
41		
41		
41		
41		
41		
41		
42		
44		
45		
45		
46		
47		
47		
48		
52		
54		
55		

NOTE : Les modifications, autres qu'éditoriales, sont indiquées par une ligne verticale dans la marge.

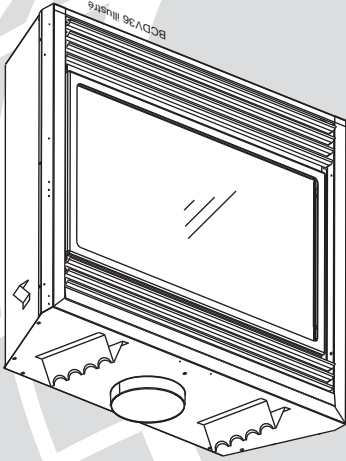
Wolf Steel Ltd., 24 Napoleon Rd., Barrie, ON, L4M 0G8 Canada /
103 Miller Drive, Crittenden, Kentucky, USA, 41030
Téléphone 705-721-1212 • Télécopieur 705-722-6031 • www.continentalfoyers.com • ask@continentalfoyer.on.ca



LA VITRE CHAUDE CAUSERA
DES BRÛLURES.
NE PAS TOUCHER LA VITRE
AVANT QU'ELLE AIT REFRLOIDI.
NE JAMAIS LAISSER LES
ENFANTS TOUCHER LA VITRE.



AVERTISSEMENT



MODELE AU PROPANE
BCDV36PTR
CDV36PTR

MODELE AU GAZ NATUREL
BCDV36NTR
CDV36NTR

Cet appareil peut être installé dans une maison
préfabriquée (mobile) déjà installée à demeure si les
réglements locaux le permettent.
Cet appareil doit être utilisé uniquement avec le type de
gaz indiqué sur la plaque signalétique. Cet appareil ne
peut être converti à d'autres gaz, sauf si une troussse de
conversion est utilisée.

- N'entrez pas et n'utilisez pas d'essence ou autres
liquides et vapeurs inflammables à proximité de cet ap-
pareil ou tout autre appareil.
- QUE FAIRE SI VOUS DÉTECTEZ UNE ODEUR DE GAZ :
• N'allumez aucun appareil.
• Ne touchez à aucun interrupteur électrique;
• n'utilisez aucun téléphone dans votre immeuble.
• Appelez immédiatement votre fournisseur de gaz
d'un téléphone voisin. Suivez ses instructions.
• Si vous ne pouvez pas rejoindre votre fournisseur
de gaz, appelez le service des incendies.
- L'installation et l'entretien doivent être faits par un
installateur qualifié, une agence d'entretien ou le
fournisseur.

AVERTISSEMENT
CONSIGNES DE SÉCURITÉ
Si ces instructions ne sont pas suivies à la
lettre, un incendie ou une explosion pourrait
s'ensuivre, causant des dommages matériels,
des blessures corporelles ou des pertes de vie.

CERTIFIÉ POUR LE CANADA ET LES ÉTATS-UNIS SELON LES MÉTHODES ANS/CSA.

HOMOLOGUÉ SELON LES NORMES NATIONALES CANADIENNES ET AMÉRICAINES CSA 2.33 ET ANSI Z21.88 POUR LES APPAREILS DE CHAUFFAGE À GAZ VENTILÉS.

INSTRUCTIONS D'INSTALLATION ET D'OPÉRATION



INSTALLATEUR : LAISSEZ CE MANUEL AVEC L'APPAREIL.
PROPRIÉTAIRE : CONSERVEZ CE MANUEL POUR CONSULTATION ULTÉRIEURE.
NE LAISSEZ PAS LES ENFANTS OU AUTRES INDIVIDUS À RISQUE SEULS À PROXIMITÉ DE L'APPAREIL.