



# INSTALLATION AND OPERATING INSTRUCTIONS

EN

FR  
PG  
15

## ULTRAVIOLET LIGHT PURIFICATION SYSTEMS

### SAFETY INFORMATION

#### **! WARNING !**

#### **ELECTRICAL SHOCK OR FIRE HAZARD**

Failure to follow safety warnings exactly could result in serious injury, death or property damage.

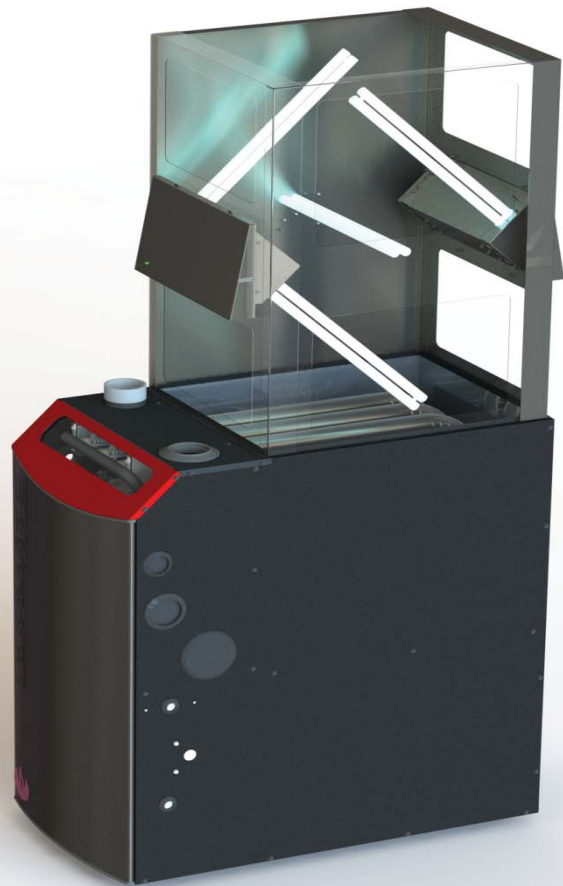
Improper servicing could result in dangerous operation, serious injury, death or property damage.

#### **! WARNING !**

#### **UV HAZARD**

**ALWAYS PROTECT EYES AND EXPOSED SKIN FROM ULTRAVIOLET LIGHT. NEVER LOOK AT UV LAMPS IN OPERATION, SEVERE EYE DAMAGE OR TEMPORARY BLINDING MAY OCCUR. UNPLUG OR DISCONNECT POWER BEFORE RE-LAMPING OR SERVICING.**

- Installation and service must be performed by a qualified installer, or a service agency.
- Before servicing, disconnect all electrical power to furnace.
- When servicing controls, label all wires prior to disconnecting. Reconnect wires correctly.
- Verify proper operation after servicing.
- Do not store or use gasoline or other flammable vapors and liquids in the vicinity of this or any other appliance.



MANUFACTURER RESERVES THE RIGHT TO DISCONTINUE, OR CHANGE AT ANY TIME, SPECIFICATIONS OR DESIGNS WITHOUT NOTICE AND WITHOUT INCURRING OBLIGATIONS.



Wolf Steel Ltd., 24 Napoleon Rd., Barrie, ON, L4M 0G8 Canada /  
103 Miller Drive, Crittenden, Kentucky, USA, 41030

Phone (705)721-1212 • Fax (705)722-6031 • [www.napoleonheatingandcooling.com](http://www.napoleonheatingandcooling.com) • [hvac@napoleonproducts.com](mailto:hvac@napoleonproducts.com)

H1.48

# TABLE OF CONTENTS

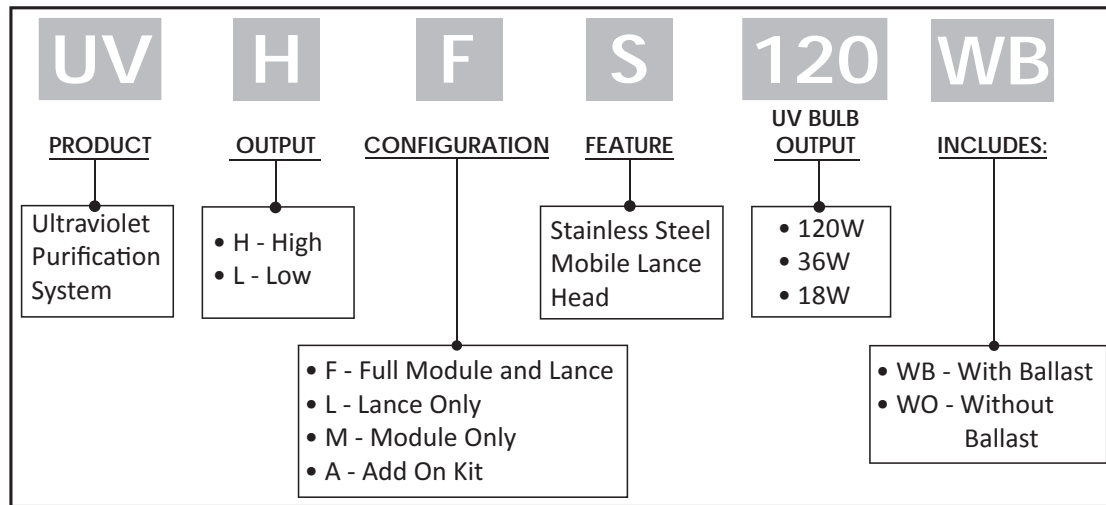
<b>1.0</b>	<b>NOMENCLATURE</b>	<b>3</b>
1.1	KIT COMPONENTS	3
<b>2.0</b>	<b>INTRODUCTION</b>	<b>4</b>
2.1	LOW OUTPUT	4
2.2	HIGH OUTPUT	4
<b>3.0</b>	<b>SAFETY SYMBOLS AND WARNINGS</b>	<b>5</b>
<b>4.0</b>	<b>INSTALLATION</b>	<b>6</b>
4.1	BULB ORIENTATION INSTALLATION OPTIONS	7
4.2	MAIN MODULE INSTALLATION	7
4.3	LANCE MODULE INSTALLATION	8
4.3.1	LANCE IS AN ADD ON TO A MODULE	9
4.3.2	LANCE IS AN ADD ON TO A FURNACE	9
<b>5.0</b>	<b>MAINTENANCE</b>	<b>10</b>
<b>6.0</b>	<b>WARRANTY</b>	<b>11</b>
<b>7.0</b>	<b>REPLACEMENT PARTS LIST</b>	<b>12</b>
<b>8.0</b>	<b>SERVICE HISTORY</b>	<b>13</b>
<b>9.0</b>	<b>NOTES</b>	<b>14</b>

**NOTE:** Changes, other than editorial, are denoted by a vertical line in the margin.

***IMPORTANT:***

PLEASE READ THIS MANUAL CAREFULLY  
AND KEEP IN A SAFE PLACE FOR FUTURE  
REFERENCE BY A SERVICE TECHNICIAN.

# 1.0 NOMENCLATURE



## 1.1 KIT COMPONENTS

### LOW OUTPUT

#### UVLFS036WB - Low Output 36W Full Kit

- Main Module Head (x1)
- 36W Phillips Smart Ballast (x1)
- Stainless Steel Mobile Lance Head (x1)
- 18W UVC Output Phillips UV Bulbs (x2)
- Power Supply Cable (x1)
- Jumper Cable (x1)
- Optional Bulb Mount Bracket (x1)

#### UVLMS036WB - Low Output 36W Module

- Main Module Head (x1)
- 36W Phillips Smart Ballast (x1)
- Stainless Steel Mobile Lance Head (x1)
- 18W UVC Output Phillips UV Bulbs (x2)
- Power Supply Cable (x1)
- Optional Bulb Mount Bracket (x1)

#### UVLAS018WB - Low Output 18W Lance Add On

- Main Module Head (x1)
- 36W Phillips Smart Ballast (x1)
- Stainless Steel Mobile Lance Head (x1)
- 18W UVC Output Phillips UV Bulb (x1)
- Ballast Power Supply Cable (x1)
- Ballast to Lance Bulb Harness (x1)

### HIGH OUTPUT

#### UVHFS120WB - High Output 120W Full Kit

- Main Module Head (x1)
- 120W Phillips Smart Ballast (x1)
- Stainless Steel Mobile Lance Head (x1)
- 60W High Output Phillips UV Bulbs (x2)
- Power Supply Cable (x1)
- Jumper Cable (x1)
- Optional Bulb Mount Bracket (x1)

#### UVHMS120WB - High Output 120W Module

- Main Module Head (x1)
- 120W Phillips Smart Ballast (x1)
- Stainless Steel Mobile Lance Head (x1)
- 60W High Output Phillips UV Bulbs (x2)
- Power Supply Cable (x1)
- Optional Bulb Mount Brackets (x2)

## 2.0 INTRODUCTION

### **How the HomeShield UV Purification System works:**

HomeShield UV Modules are designed to operate anytime the furnace has a call for blower circulation – heating, cooling or continuous fan. Bulbs are coated to prevent OZONE creation. Low output units are for static surface treatment while high output units will treat air and surfaces.

Multi Head Operation can be utilized to sterilize the air stream with 240 Watts of UV.

### 2.1 LOW OUTPUT

The low output unit works primarily to irradiate the evaporator coil of mould spores and bacterial growth. A wet coil surrounded by warm air provides an ideal environment for mould spores and bacterial growth. A low output 36W UV module with ample coil exposure time will provide enough ultraviolet light energy to effectively render the microbes ineffective and unable to multiply. This will prevent the evaporator coil from becoming blocked which will help to maintain the efficiency of the A/C unit and will increase the service life of the furnace and A/C system.

### 2.2 HIGH OUTPUT

The high output module at 120W can effectively reduce the microbes ability to reproduce and multiply within a moving air stream. Exposure time is very important in this system. All household microbes require varying amounts of UVC exposure to render them ineffective. This means that the slower the air passes by the system the greater effect it will have. The high output system will also keep your evaporator coil free of bacterial growth which will help to maintain the efficiency of the A/C unit and will increase the service life of the furnace and A/C system.

## 3.0 SAFETY SYMBOLS AND WARNINGS

Understand and pay particular attention to the words DANGER, WARNING, and CAUTION and the following defined symbols are used throughout this manual to notify the reader of potential hazards of varying risk levels.

### ⚠ DANGER ⚠

INDICATES AN IMMINENTLY HAZARDOUS SITUATION WHICH, IF NOT AVOIDED, WILL RESULT IN DEATH OR SERIOUS INJURY.

### ⚠ WARNING ⚠

INDICATES A POTENTIALLY HAZARDOUS SITUATION WHICH, IF NOT AVOIDED, COULD RESULT IN DEATH OR SERIOUS INJURY.

### ⚠ CAUTION ⚠

INDICATES A POTENTIAL HAZARDOUS SITUATION WHICH, IF NOT AVOIDED, MAY RESULT IN MINOR OR MODERATE INJURY. IT MAY ALSO BE USED TO ALERT AGAINST UNSAFE PRACTICES.

H3.3.1

#### **IMPORTANT:**

**READ THE FOLLOWING INSTRUCTIONS COMPLETELY BEFORE INSTALLING!**

H6.0

## 4.0 INSTALLATION

### ⚠ WARNING ⚠

THESE INSTRUCTIONS ARE INTENDED AS AN AID TO QUALIFIED SERVICE PERSONNEL FOR PROPER INSTALLATION, ADJUSTMENT AND OPERATION OF THIS UV APPLIANCE. READ THESE INSTRUCTIONS THOROUGHLY BEFORE ATTEMPTING INSTALLATION OR OPERATION. FAILURE TO FOLLOW THESE INSTRUCTIONS MAY RESULT IN IMPROPER INSTALLATION, ADJUSTMENT, SERVICE OR MAINTENANCE, POSSIBLY RESULTING IN FIRE, ELECTRICAL SHOCK, PROPERTY DAMAGE, PERSONAL INJURY OR DEATH.

H3.86

### ⚠ WARNING ⚠

UV HAZARD. ALWAYS PROTECT EYES AND EXPOSED SKIN FROM ULTRAVIOLET LIGHT.  
NEVER LOOK AT UV LAMPS IN OPERATION,  
 SEVERE EYE DAMAGE OR TEMPORARY BLINDING MAY OCCUR.  
 UNPLUG OR DISCONNECT POWER BEFORE RE-LAMPING OR SERVICING.

H3.82

### ⚠ WARNING ⚠

DO NOT OPERATE OUTSIDE OF AIR HANDLER.  
 MOUNT LAMP BASE TO DUCT FIRST.

H3.83

### ⚠ WARNING ⚠

NO OPENINGS IN DUCT ARE ALLOWED  
 WHICH WOULD GIVE DIRECT LINE-OF-SIGHT TO THE UV LIGHT.

H3.84

### ⚠ CAUTION ⚠

DO NOT TOUCH LAMP GLASS WITHOUT GLOVES.  
 REDUCED PERFORMANCE OF LAMP MAY RESULT. CLEAN AFTER HANDLING.

H3.85

In the event of accidental breakage or replacement of the ultraviolet lamp, please ensure that the lamp is disposed of in accordance with local and state environmental laws regarding fluorescent lamps containing mercury.

#### **NOTE**

All wiring inside of the duct or air handling system in direct line of site of the UV lamp must be shielded with aluminum foil tape or equivalent non-combustible material. When installing this unit, select a mounting location that prevents ultraviolet light exposure to plastic flexible duct liner or other plastic components with unknown resistance to ultraviolet light. Ultraviolet light may cause color shift or structural degradation of plastic HVAC components.

#### 4.1 BULB ORIENTATION INSTALLATION OPTIONS

We have provided several options of bulb orientation for the installer to choose from. This is to accommodate any duct system and evaporator coil combination. The following pictures depict the options available for both the high output and low output primary module. If also using the mobile lance module, take into consideration that there will only be one bulb in the primary module, although all position options are still available.



#### 4.2 MAIN MODULE INSTALLATION

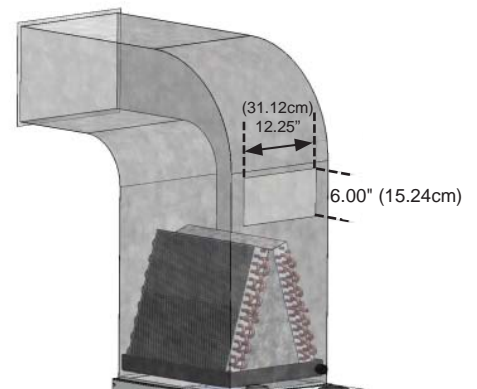
### ⚠ WARNING ⚠

**THESE INSTRUCTIONS ARE INTENDED AS AN AID TO QUALIFIED SERVICE PERSONNEL FOR PROPER INSTALLATION, ADJUSTMENT AND OPERATION OF THIS UV APPLIANCE. READ THESE INSTRUCTIONS THOROUGHLY BEFORE ATTEMPTING INSTALLATION OR OPERATION. FAILURE TO FOLLOW THESE INSTRUCTIONS MAY RESULT IN IMPROPER INSTALLATION, ADJUSTMENT, SERVICE OR MAINTENANCE, POSSIBLY RESULTING IN FIRE, ELECTRICAL SHOCK, PROPERTY DAMAGE, PERSONAL INJURY OR DEATH.**

H3.86

1. Disconnect power to the furnace using the furnace disconnect / service switch and preferably furnace power circuit from breaker.
2. Locate duct cutout template in desired location for UV Module keeping in mind location of AC coil, if existing, mark or drill out all four corners and then cutout 12-1/4" X 6" opening in ductwork. (Fig.1). Always ensure it is close enough to the HVAC unit to be able to obtain supply power.

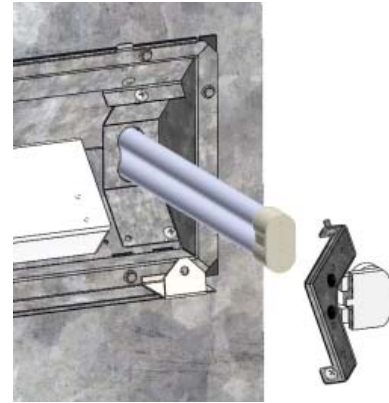
FIG. 1



W415-1309 / B / 11.16.16

3. Mount main module into duct cutout making sure that all edges and gaps are sealed with supplied weather stripping to prevent any UV light from escaping plenum. It is not recommended to install bulbs first, as offset bulbs will not fit through cutout and installing the unit with bulbs in place could lead to damaged or broken bulbs. Secure with supplied screws to sheet metal plenum using existing mount holes. (Fig.2)

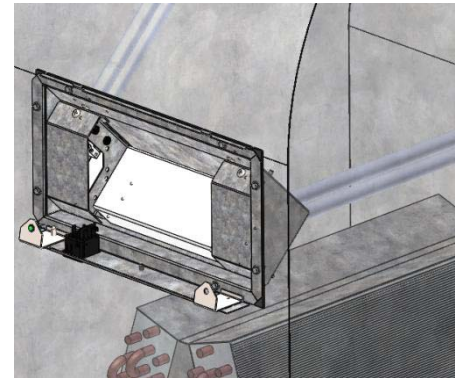
FIG. 2



4. Mount UV bulbs in desired orientation (1 of 9) making sure the bulbs are sitting flush in the cutout, and then secure the pre-wired base and bracket to the enclosure. Modules UV bases are pre-wired for straight installation. Alternate mount points on the universal bracket and alternate bulb brackets are included for changing bulb position and orientation. (Fig.2)

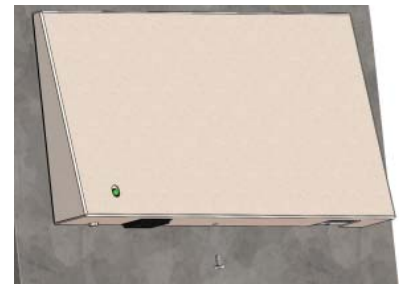
5. Use the enclosed UV shield covers and cover the light bases and wiring. Ensure that the plastic C-trim on the covers is secure and that wires are not contacting directly on the metal surface. Verify all wires are in location before moving on to the next steps. (Fig.3)

FIG. 3



6. Place the cover over the tabs on the top of the enclosure and rotate the cover down slowly into place over the module. This is a tight pressure fit – watch for pinch points. Secure cover in place with provided screw using a 1/4" nut driver. (Fig.4)

FIG. 4



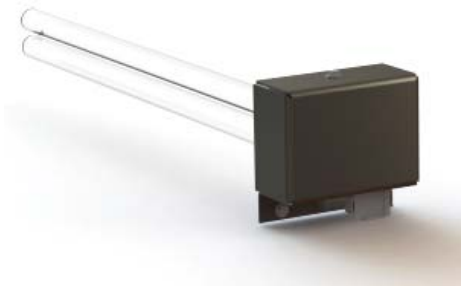
7. Connect the power cable to the plug / switch shown at the bottom left of figure 4. Make sure switch is OFF.
8. The other end contains three leads. Run these three leads through one of the grommets located on the side of the furnace within the circulating air blower compartment. Connect power cable end to Integrated Furnace Control Board. The black lead must be attached to the tap on the control board that is marked EAC. The white lead must be attached to one of the taps located along the NEUTRAL portion of the control board. The green lead can be attached anywhere on the control board mounting plate but it is recommended that it is mounted to the same location as the existing green ground wires.
9. Turn on UV Module power switch, breaker and furnace service disconnect switch.

### 4.3 LANCE MODULE INSTALLATION

1. Disconnect the power to the UV unit by turning the switch at the base of the unit to off and disconnect power to the HVAC unit.
2. Choose where the UV lance will be located; this is typically in the return air stream or in an HRV module. Always ensure it is close enough to the HVAC unit to be able to obtain supply power.
3. Cut out the template and trace the outline onto the desired location using a black marker.
4. Using a pair of tin snips cut open the location along the template path.



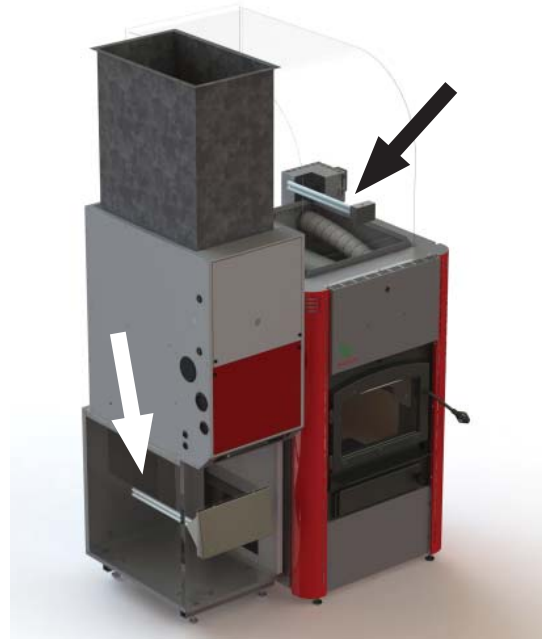
5. Apply the included gasket strips to the outer edges of the back of the lance module.
6. Mount the lance onto the desired location.
7. Install the UV bulb into the lance module.
8. Mount the lance module cover.



EN

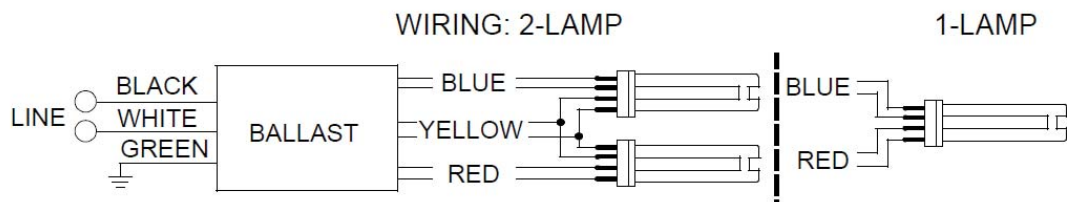
#### 4.3.1 LANCE IS AN ADD ON TO A MODULE

1. Prepare the main module to jump a bulb out to the lance.
2. Connect the included power supply cable between the primary module and the lance module.
3. Connect the power supply to the HVAC unit and activate the power switch at the base of the UV unit.



#### 4.3.2 LANCE IS AN ADD ON TO A FURNACE

1. Connect the included power supply cable between the lance and the furnace. The end contains four leads. Run these four leads through one of the grommets located on the side of the furnace within the circulating air blower compartment.
2. Mount the UV Ballast to the control board firmly if supplied. Attach Power harness to Ballast – Color coded for Black, White and Green.
3. Connect the included power supply cable between the ballast and the furnace Integrated Control. The end contains three leads. The black lead must be attached to the tap on the control board that is marked EAC. The white lead must be attached to one of the taps located along the NEUTRAL portion of the control board. The green lead can be attached anywhere on the control board mounting plate but it is recommended that it is mounted to the same location as the existing green ground wires.
4. Connect lance cable to ballast as shown below for one or two bulb application. Your connection may be two yellows and two reds if installing a single bulb lance, use the yellow wires in the blue ballast connection.



5. Connect the power supply to the HVAC unit and activate the power switch at the base of the UV unit.



# 6.0 WARRANTY

HomeShield products are designed with superior components and materials, assembled by trained craftsmen who take great pride in their work. The complete appliance is again thoroughly inspected by a qualified technician before packaging to ensure that you, the customer, receives the quality product that you expect from HomeShield.

## HOMESHIELD UV SYSTEM LIMITED LIFETIME WARRANTY

This UV Purification System is warranted by Wolf Steel Ltd. ("HomeShield") to be free from defects in materials and workmanship under normal use and maintenance.

These warranties do not apply to labour, freight, or any other cost associated with the service, repair or operation of the unit, and diagnostic costs.

### LIMITED WARRANTY (Registered)

To the original registered owner and his or her spouse ("owner"), the **UV module** is warranted for 1 year upon installation. The **UV bulb** is warranted for 90 days from bill of sale. These warranties apply only if:

- The unit is installed in an owner-occupied, primary single family residence, and
- The unit is properly registered with Napoleon online within 60 days after the original installation. To register, go to [www.napoleonheatingandcooling.com](http://www.napoleonheatingandcooling.com). Some states and provinces do not allow limitations on how long an implied limited warranty lasts or do not allow the exclusion or limitation of incidental or consequential damages, so the above limitation or exclusion may not apply to you. This limited warranty gives you specific legal rights, and you may also have other rights which vary by jurisdiction.

HomeShield may choose to credit its prorated wholesale value towards the purchase of a new HomeShield UV Purification System.

HomeShield is not responsible for:

1. Cost or expenses incurred as a consequence of a faulty installation or application.
2. Damage or repairs required as a consequence of faulty installation or application.
3. Damages, defects or failures caused by installation that is not performed in compliance with all applicable federal, provincial, state laws or regulations, and Installation Operating Manual.
4. Damage as a result of vandalism, freight damage, floods, fires, winds, lightning, and accidents, or any acts of nature. Atmospheres contaminated by compounds of chlorine, halogenated hydrocarbons, or other damaging chemicals causing deterioration of components, or other conditions beyond the control of Napoleon.
5. Use of components or accessories not compatible with this unit.
6. Products installed outside Canada, or the United States and its territories.
7. Routine maintenance, but not limited to, cleaning of the coils, filter cleaning and/or replacement.
8. Parts not supplied by HomeShield.
9. Damage or repairs required as a result of any improper use, maintenance, operation, servicing, cleaning or replacing air filters.
10. Failure to operate due to interruption and/or inadequate electrical service.
11. Damages, defects or failures caused by accidents or negligent or unreasonable use or operation of the unit and its' components, including without limitation, operation beyond rated capacity and operation of electrical components at voltage other than that specified on the rating plate.
12. HomeShield shall not in any event extend warranty coverage to any incidental, consequential or indirect damages.
13. Changes in the appearance of the unit that do not affect its performance.
14. Damages, defects or failures caused by operation of the unit in abnormal environmental conditions (i.e. salt air).
15. Damages, defects or failures caused by conditioned air (return air) supplied to the furnace being greater than 20% from out-of-doors (13°C/55°F min. return air temperature).
16. Damages, defects or failures caused by the UV module being installed downstream from a cooling coil.

Proof of purchase will be required. Replacements are subject to review and verification by a Napoleon representative.

Warranty ceases to exist if the unit is removed from the location where it was originally installed.

This limited warranty will not apply unless the UV system is: (1) installed by a licensed or qualified HVAC technician, (2) installed in accordance with the manufacturer's recommendations in its Installation and Operation Manual, and (3) in compliance with all industry standards, national, provincial/state, and local codes.

Regardless of time of registration, the warranty period begins on the date of the original installation. Where a product is installed in a newly constructed home; the date of installation is the date the homeowner takes possession of the home from the builder. If that date cannot be verified, the warranty period begins three months after the month of manufacture (indicated by the first four digits of the serial number).

As its only responsibility, and your only remedy, HomeShield will furnish a replacement part, without charge for the part only, to replace any part that is found to be defective due to workmanship or materials under normal use and maintenance.

To make a warranty claim, the defective part must be returned to a HomeShield heating and air conditioning products dealer/distributor by a certified or licensed contractor. Any part replaced pursuant to this warranty is warranted only for the unexpired portion of the warranty term applying to the original part.

### FOR HOMEOWNERS FUTURE REFERENCE

Model and Serial Number \_\_\_\_\_

Installation Date \_\_\_\_\_

Dealer Name \_\_\_\_\_

Dealer's City/Province-State/Postal-Zip Code \_\_\_\_\_

Telephone/Fax \_\_\_\_\_

E-mail Address \_\_\_\_\_

For further information about this warranty, contact our Customer Solutions Department at 866-820-8686, email [hvac@napoleonproducts.com](mailto:hvac@napoleonproducts.com), or by mail to **WOLF STEEL**, 24 Napoleon Road, Barrie, Ontario L4M 0G8 Canada

[www.napoleonheatingandcooling.com](http://www.napoleonheatingandcooling.com)



11.03.16(B)

## 7.0 REPLACEMENT PARTS LIST

Contact your dealer or the factory for questions concerning prices and policies on replacement parts. Normally all parts can be ordered through your Authorized dealer / distributor.

**FOR WARRANTY REPLACEMENT PARTS, A PHOTOCOPY OF THE ORIGINAL INVOICE WILL BE REQUIRED TO HONOUR THE CLAIM.**

When ordering replacement parts always give the following information:

- Model & Serial Number of appliance
- Installation date of appliance
- Part number
- Description of part
- Finish

**FOR FURTHER INFORMATION, CONTACT YOUR AUTHORIZED DEALER.**

### **WARNING**

**FAILURE TO POSITION THE PARTS IN ACCORDANCE WITH THIS MANUAL OR FAILURE TO USE ONLY PARTS SPECIFICALLY APPROVED WITH THIS APPLIANCE MAY RESULT IN PROPERTY DAMAGE OR PERSONAL INJURY.**

H41.1

### **CAUTION**

**Use only Philips UV Bulbs and Smart Ballast.  
Failure to use the OEM ballast and bulbs voids warranty and all manufacturer liability.**

H3.89

PART NUMBER	DESCRIPTION
W010-2810	UV REPLACEMENT BULB 18W KIT
W405-0004	UV SMART BALLAST 36W LOW OUTPUT
W405-0010	UV BULB 60W HIGH OUTPUT
W405-0011	UV SMART BALLAST 120W HIGH OUTPUT





INSTALLATEUR ET UTILISATEUR : CONSERVEZ CE MANUEL POUR CONSULTATION ULTÉRIEURE.



# INSTRUCTIONS D'INSTALLATION ET D'OPÉRATION

FR

## SYSTÈMES DE PURIFICATION D'AIR UV

### CONSIGNES DE SÉCURITÉ

#### ! AVERTISSEMENT !

#### RISQUE DE DÉCHARGE ÉLECTRIQUE OU D'INCENDIE

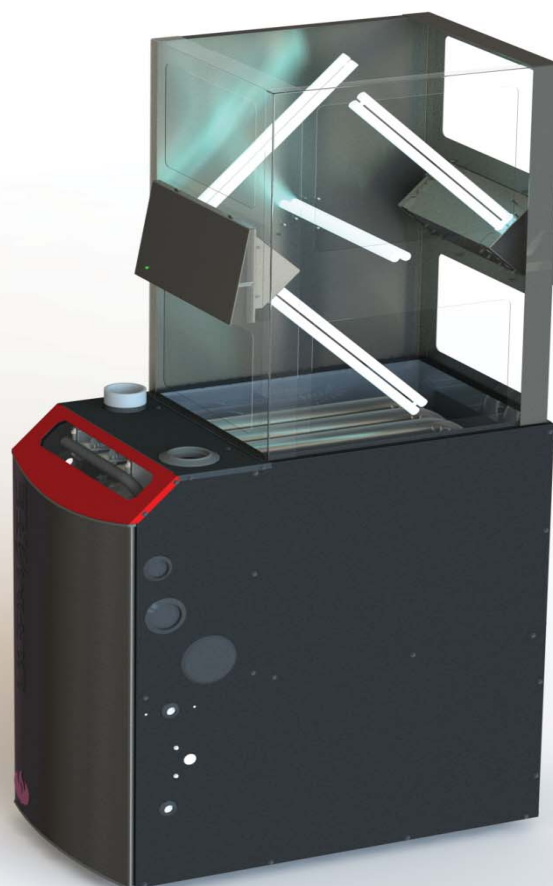
Si les consignes de sécurité ne sont pas suivies à la lettre, cela peut causer des blessures graves, des pertes de vie ou des dommages matériels.

Un entretien inadéquat pourrait occasionner un fonctionnement dangereux, des blessures graves, des pertes de vie ou des dommages matériels.

#### ! AVERTISSEMENT !

**RISQUE ASSOCIÉ À LA LUMIÈRE UV**  
 PROTÉGEZ TOUJOURS VOS YEUX ET LA PEAU EXPOSÉE DE LA LUMIÈRE UV. NE REGARDEZ **JAMAIS** UNE LAMPE UV LORSQUE CELLE-CI EST ALLUMÉE; DES BLESSURES GRAVES AUX YEUX OU UN AVEUGLEMENT TEMPORAIRE POURRAIENT SURVENIR. DÉBRANCHEZ LA SOURCE D'ALIMENTATION ÉLECTRIQUE AVANT DE REMPLACER LA LAMPE OU DE FAIRE L'ENTRETIEN DE L'APPAREIL.

- L'installation et l'entretien doivent être faits par un installateur qualifié, ou une agence d'entretien.
- Avant d'effectuer l'entretien, débranchez l'alimentation électrique de l'appareil.
- Lors de l'entretien des contrôles, étiquetez tous les fils avant de les débrancher. Rebranchez-les correctement.
- Vérifiez le bon fonctionnement après l'entretien.
- N'entreposez pas et n'utilisez pas d'essence ou autres liquides et vapeurs inflammables à proximité de cet appareil ou de tout autre appareil.



LE FABRICANT SE RÉSERVE LE DROIT DE DISCONTINUER OU DE MODIFIER LES SPÉCIFICATIONS OU LES CONCEPTIONS EN TOUT TEMPS SANS PRÉAVIS ET SANS AUTRE OBLIGATION DE SA PART.

Système de qualité certifié  
**ISO**  
 9001-2008

Wolf Steel Itée, 24 Napoleon Rd., Barrie, ON, L4M 0G8 Canada /  
 103 Miller Drive, Crittenden, Kentucky, É.-U., 41030

Téléphone 705-721-1212 • Télécopieur 705-722-6031 • [www.napoleonheatingandcooling.com](http://www.napoleonheatingandcooling.com) • [hvac@napoleonproducts.com](mailto:hvac@napoleonproducts.com)

H1.48

# TABLE OF CONTENTS

<b>1.0</b>	<b>DESCRIPTION DU MODÈLE</b>	<b>17</b>
1.1	PIÈCES D'ÉQUIPEMENT	17
<b>2.0</b>	<b>INTRODUCTION</b>	<b>18</b>
2.1	BASSE PUISSANCE	18
2.2	ÉLEVÉE PUISSANCE	18
<b>3.0</b>	<b>SYMBOLES DE SÉCURITÉ ET AVERTISSEMENTS</b>	<b>18</b>
<b>4.0</b>	<b>INSTALLATION</b>	<b>19</b>
4.1	OPTIONS D'INSTALLATION POUR L'ORIENTATION DE L'AMPOULE	20
4.2	INSTALLATION DU MODULE PRINCIPAL	20
4.3	INSTALLATION DU MODULE DE LA LAMPE	21
4.3.1	LA LAMPE EST UN AJOUT À UN MODULE	22
4.3.2	LA LAMPE EST UN AJOUT À LA FOURNAISE	22
<b>5.0</b>	<b>ENTRETIEN</b>	<b>23</b>
<b>6.0</b>	<b>GARANTIE</b>	<b>24</b>
<b>7.0</b>	<b>SLISTE DES PIÈCES DE RECHANGE DE LA FOURNAISE À UNE ÉTAPE</b>	<b>25</b>
<b>8.0</b>	<b>HISTORIQUE D'ENTRETIEN</b>	<b>26</b>
<b>9.0</b>	<b>NOTES</b>	<b>27</b>

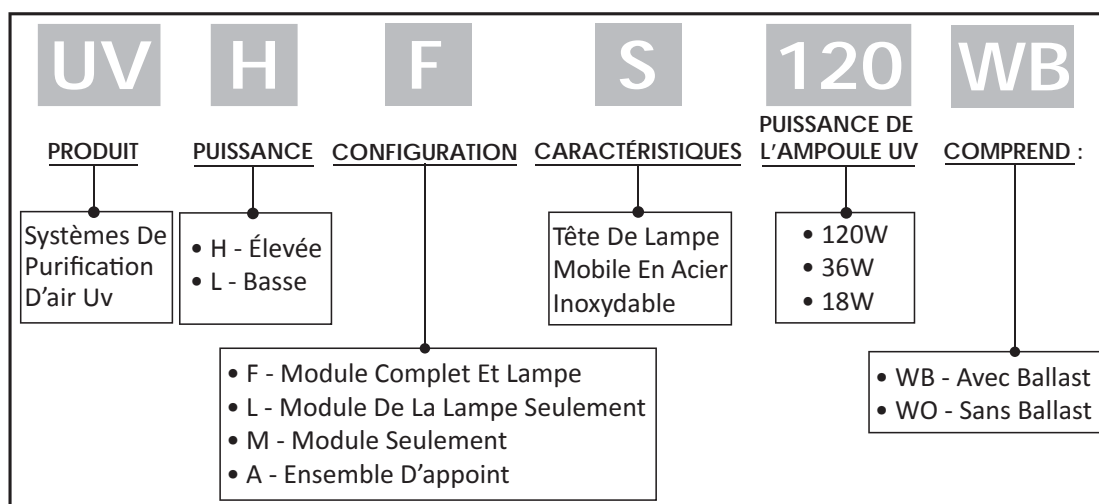
**NOTE :** Les changements, autres que de nature éditoriale, sont dénotés par une ligne verticale dans la marge.

***IMPORTANT :***

VEUILLEZ LIRE CE MANUEL ATTENTIVEMENT  
ET LE GARDER DANS UN ENDROIT  
SÉCURITAIRE POUR QU'UN TECHNICIEN  
DE SERVICE PUISSE LE CONSULTER  
ULTÉRIEUREMENT.



# 1.0 DESCRIPTION DU MODÈLE



FR

## 1.1 PIÈCES D'ÉQUIPEMENT

### BASSE PUISSANCE

#### UVLFS036WB – Ensemble Complet À Basse Puissance (36 W)

- Tête Du Module Principal (x1)
- Ballast Intelligent Philips De 36 W (x1)
- Stainless Steel Mobile Lance Head (x1)
- Ampoules Uv Philips D'une Puissance De 18 W (x2)
- Câble D'alimentation Électrique (x1)
- Câble De Raccordement (x1)
- Support De Fixation Optionnel Pour L'ampoule (x1)

#### UVLMS036WB - Module À Basse Puissance (36 W)

- Tête Du Module Principal (x1)
- Ballast Intelligent Philips De 36 W (x1)
- Stainless Steel Mobile Lance Head (x1)
- Ampoules Uv Philips D'une Puissance De 18 W (x2)
- Câble D'alimentation Électrique (x1)
- Support De Fixation Optionnel Pour L'ampoule (x1)

#### UVLAS018WB - Lampe D'appoint À Basse Puissance (18 W)

- Tête Du Module Principal (x1)
- Ballast Intelligent Philips De 36 W (x1)
- Stainless Steel Mobile Lance Head (x1)
- Ampoules Uv Philips D'une Puissance De 18 W (x1)
- Câble D'alimentation Électrique Du Ballast (x1)
- Harnais Du Ballast Jusqu'à L'ampoule De La Lampe (x1)

### ÉLEVÉE PUISSANCE

#### UVHFS120WB - Ensemble Complet À Puissance Élevée (120 W)

- Tête Du Module Principal (x1)
- Ballast Intelligent Philips De 120 W (x1)
- Stainless Steel Mobile Lance Head (x1)
- 60W High Output Phillips UV Bulbs (x2)
- Câble D'alimentation Électrique (x1)
- Câble De Raccordement (x1)
- Support De Fixation Optionnel Pour L'ampoule (x1)

#### UVHMS120WB - Module À Puissance Élevée (120 W)

- Tête Du Module Principal (x1)
- Ballast Intelligent Philips De 120 W (x1)
- Stainless Steel Mobile Lance Head (x1)
- 60W High Output Phillips UV Bulbs (x2)
- Câble D'alimentation Électrique (x1)
- Support De Fixation Optionnel Pour L'ampoule (x2)

## 2.0 INTRODUCTION

### Fonctionnement du système de purification d'air UV HomeShield :

Les modules UV HomeShield sont conçus pour fonctionner chaque fois que la fournaise reçoit une demande pour mettre en marche la soufflerie, que ce soit pour le chauffage, le refroidissement ou la ventilation continue. Les ampoules sont recouvertes pour prévenir la formation d'OZONE. Les appareils à basse puissance sont conçus pour le traitement des surfaces statiques tandis que les appareils à puissance élevée le sont pour le traitement de l'air et des surfaces.

Avec 240 watts de lumière UV, le fonctionnement à plusieurs têtes peut être utilisé pour stériliser le courant d'air.

FR

### 2.1 BASSE PUISSANCE

L'appareil à basse puissance est principalement conçu pour irradier le serpentin de l'évaporateur et éliminer les spores de moisissures et la croissance bactérienne. Un serpentin humide entouré d'air chaud constitue un milieu idéal pour les spores de moisissures et la croissance bactérienne. Un module UV à basse puissance (36 W) et une durée d'exposition suffisante du serpentin fourniront assez d'énergie UV pour détruire les microbes et les empêcher de se multiplier. Cela préviendra le blocage du serpentin de l'évaporateur, ce qui, en retour, préservera l'efficacité du climatiseur et augmentera la durée de vie de la fournaise et du système de climatisation.

### 2.2 ÉLEVÉE PUISSANCE

Le module à puissance élevée (120 W) peut réduire efficacement la capacité des microbes à se reproduire et à se multiplier dans un courant d'air. La durée d'exposition est très importante pour ce système. Afin de devenir inoffensifs, tous les microbes que l'on trouve dans les maisons nécessitent une exposition différente à la lumière UV. Cela signifie que plus l'air circule lentement dans le système, plus l'effet est important. Le système à puissance élevée empêchera également la croissance bactérienne dans le serpentin de l'évaporateur, ce qui, en retour, préservera l'efficacité du climatiseur et augmentera la durée de vie de la fournaise et du système de climatisation.

## 3.0 SYMBOLES DE SÉCURITÉ ET AVERTISSEMENTS

Assurez-vous de comprendre et de porter une attention particulière aux mots DANGER, AVERTISSEMENT et ATTENTION, ainsi qu'aux symboles définis suivants. Ils sont utilisés tout au long de ce manuel pour aviser le lecteur de dangers potentiels de niveaux de risques variés.

**▲ DANGER ▲**

**INDIQUE UNE SITUATION DANGEREUSE IMMINENTE QUI, SI ELLE N'EST PAS ÉVITÉE, CAUSERA LA MORT OU DES BLESSURES GRAVES.**

**▲ AVERTISSEMENT ▲**

**INDIQUE UNE SITUATION POTENTIELLEMENT DANGEREUSE QUI, SI ELLE N'EST PAS ÉVITÉE, POURRAIT CAUSER LA MORT OU DES BLESSURES GRAVES.**

**▲ ATTENTION ▲**

**INDIQUE UNE SITUATION POTENTIELLEMENT DANGEREUSE QUI, SI ELLE N'EST PAS ÉVITÉE, POURRAIT CAUSER DES BLESSURES MINEURES OU MODÉRÉES. PEUT AUSSI ÊTRE UTILISÉ POUR METTRE EN GARDE CONTRE DES PRATIQUES NON SÉCURITAIRES.**

H3.3.1

**IMPORTANT :**

**AVANT DE PROCÉDER À L'INSTALLATION, LISEZ TOUTES LES DIRECTIVES SUIVANTES!**

H6.0

## 4.0 INSTALLATION

### ⚠ AVERTISSEMENT ⚠

CES DIRECTIVES VISENT À AIDER LES TECHNICIENS DE SERVICE QUALIFIÉS À INSTALLER, À RÉGLER ET À FAIRE FONCTIONNER ADÉQUATEMENT CET APPAREIL UV. LISEZ CES DIRECTIVES ATTENTIVEMENT AVANT DE PROCÉDER À L'INSTALLATION DE L'APPAREIL ET DE LE FAIRE FONCTIONNER. SI CES DIRECTIVES NE SONT PAS RESPECTÉES, L'INSTALLATION, LE RÉGLAGE, LE SERVICE OU L'ENTRETIEN POURRAIENT ÊTRE INADÉQUATS, CE QUI RISQUERAIT DE CAUSER UN INCENDIE, UNE DÉCHARGE ÉLECTRIQUE, DES DOMMAGES MATÉRIELS, DES BLESSURES OU LA MORT.

H3.86

### ⚠ AVERTISSEMENT ⚠

RISQUE ASSOCIÉ À LA LUMIÈRE UV. PROTÉGEZ TOUJOURS VOS YEUX ET LA PEAU EXPOSÉE DE LA LUMIÈRE UV.  
NE REGARDEZ JAMAIS UNE LAMPE UV LORSQUE CELLE-CI EST ALLUMÉE; DES BLESSURES GRAVES AUX YEUX OU UN AVEUGLEMENT TEMPORAIRE POURRAIENT SURVENIR.  
DÉBRANCHEZ LA SOURCE D'ALIMENTATION ÉLECTRIQUE AVANT DE REMPLACER LA LAMPE OU DE FAIRE L'ENTRETIEN DE L'APPAREIL.

H3.82

### ⚠ AVERTISSEMENT ⚠

NE PAS FAIRE FONCTIONNER À L'EXTÉRIEUR DE L'APPAREIL DE TRAITEMENT D'AIR. INSTALLER D'ABORD LA BASE DE LA LAMPE SUR LE CONDUIT.

H3.83

### ⚠ AVERTISSEMENT ⚠

NE PAS FAIRE D'OUVERTURES DANS LE CONDUIT; CELA EXPOSERAIT DIRECTEMENT LA LUMIÈRE UV À LA VUE.

H3.84

### ⚠ ATTENTION ⚠

NE PAS TOUCHER AU VERRE DE LA LAMPE SANS GANTS; LE RENDEMENT DE LA LAMPE POURRAIT EN ÊTRE RÉDUIT. NETTOYER APRÈS MANIPULATION.

H3.85

En cas de bris accidentel ou lors du remplacement de la lampe UV, veillez à ce que la lampe soit éliminée conformément aux lois environnementales locales et nationales se rapportant aux lampes fluorescentes contenant du mercure.

#### **REMARQUE :**

Tout le câblage qui se trouve à l'intérieur du conduit ou de l'appareil de traitement d'air et qui est directement exposé à la lampe UV doit être protégé avec du ruban métallique en aluminium ou un matériau incombustible équivalent. Lors de l'installation de cet appareil, choisissez un emplacement de montage afin d'éviter que la doublure de conduit flexible en plastique soit exposée à la lumière UV ou que d'autres composants en plastique, dont la résistance à la lumière UV est inconnue, le soient. La lumière UV peut provoquer un changement de couleur ou une dégradation structurelle des composants HVAC en plastique.

#### 4.1 OPTIONS D'INSTALLATION POUR L'ORIENTATION DE L'AMPOULE

L'installateur peut choisir parmi nos différentes options pour l'orientation de l'ampoule et, ainsi, s'adapter à toute combinaison de système de conduits et de serpentin d'évaporateur. Les images suivantes illustrent les options pouvant convenir autant au module principal à puissance élevée qu'à puissance faible. Si vous avez également recours au module de la lampe mobile, tenez compte du fait qu'il n'y aura qu'une ampoule dans le module principal, bien que toutes les options puissent être utilisées.



#### 4.2 INSTALLATION DU MODULE PRINCIPAL

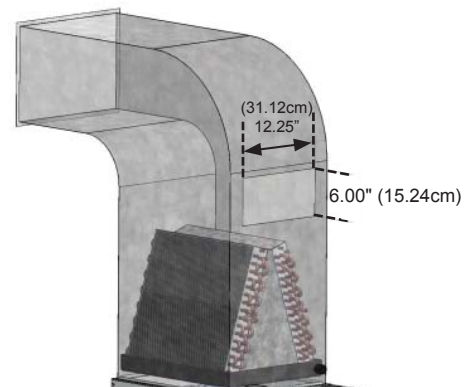
### ⚠ AVERTISSEMENT ⚠

**CES DIRECTIVES VISENT À AIDER LES TECHNICIENS DE SERVICE QUALIFIÉS À INSTALLER, À RÉGLER ET À FAIRE FONCTIONNER ADÉQUATEMENT CET APPAREIL UV. LISEZ CES DIRECTIVES ATTENTIVEMENT AVANT DE PROCÉDER À L'INSTALLATION DE L'APPAREIL ET DE LE FAIRE FONCTIONNER. SI CES DIRECTIVES NE SONT PAS RESPECTÉES, L'INSTALLATION, LE RÉGLAGE, LE SERVICE OU L'ENTRETIEN POURRAIENT ÊTRE INADÉQUATS, CE QUI RISQUERAIT DE CAUSER UN INCENDIE, UNE DÉCHARGE ÉLECTRIQUE, DES DOMMAGES MATÉRIELS, DES BLESSURES OU LA MORT.**

H3.86

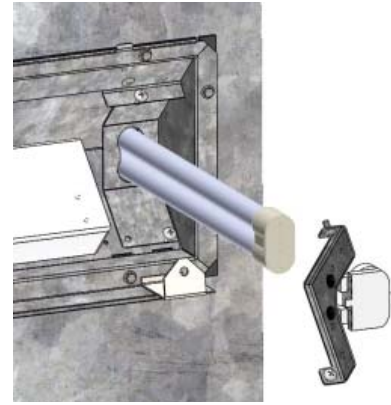
1. Coupez la source d'alimentation électrique de la fournaise au moyen de l'interrupteur de service et éteignez préférablement le circuit d'alimentation de la fournaise à partir du disjoncteur.
2. Placez un gabarit de découpe de conduit à l'emplacement désiré pour le module UV, tout en gardant à l'esprit l'emplacement du serpentin du climatiseur, s'il y en a un. Marquez ou percez les quatre coins, et faites une ouverture de 12 1/4 po sur 6 po dans le conduit. (fig. 1) Assurez-vous que le module est toujours suffisamment proche de l'appareil HVAC afin qu'il soit alimenté en courant.

FIG. 1



3. Installez le module principal dans la découpe faite dans le conduit et assurez-vous que tous les rebords et interstices sont scellés au moyen du matériau de calfeutrage fourni afin que la lumière UV ne puisse pas s'échapper du plénum. Il n'est pas conseillé d'installer les ampoules en premier; des ampoules désaxées ne s'inséreront pas dans la découpe, et le fait d'installer l'appareil si les ampoules sont en place peut les endommager ou les briser. Au moyen des vis fournies, fixez le module sur le plénum de tôle en utilisant les trous de montage existants. (fig. 2)

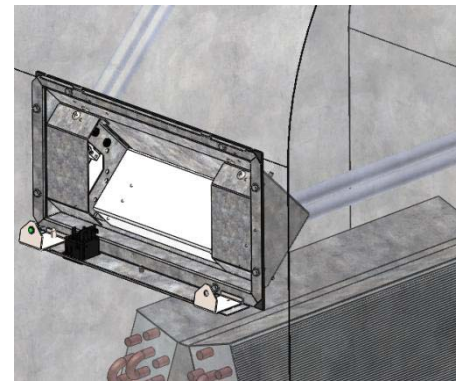
FIG. 2



4. Installez les ampoules UV selon l'orientation voulue (1 de 9) en vous assurant qu'elles sont à égalité avec la découpe, puis fixez la base précâblée et le support sur l'enceinte. La base des modules UV est précâblée pour permettre une installation droite. Afin de changer la position et l'orientation de l'ampoule, d'autres trous de montage se trouvent sur le support universel et d'autres supports pour ampoule sont inclus. (fig. 2)

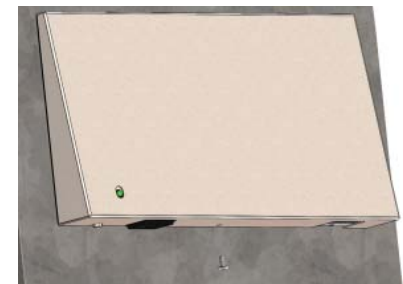
5. Utilisez les couvercles de protection UV pour couvrir les bases de la lampe et le câblage. Assurez-vous que la garniture en C en plastique est fixée sur les couvercles et que les câbles n'entrent pas directement en contact avec la surface métallique. Vérifiez que tous les câbles sont en place avant de passer aux étapes suivantes. (fig. 3)

FIG. 3



6. Placez le couvercle sur les languettes sur le dessus de l'enceinte et tournez le couvercle lentement vers le bas pour le mettre en place sur le module. Il s'agit d'un ajustement étroit par pression; prenez garde aux points de pincement. À l'aide des vis fournies et d'un tournevis à douille de 1/4 po, fixez le couvercle. (fig. 4)

FIG. 4

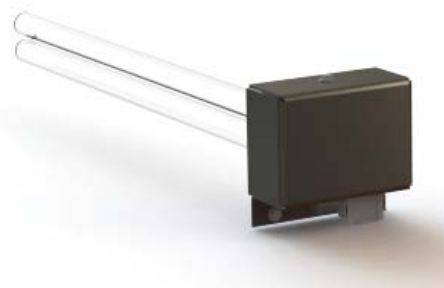


7. Insérez le câble d'alimentation dans la prise ou l'interrupteur illustré dans le coin inférieur gauche de la figure 4. Assurez-vous que l'interrupteur est à la position « OFF ».
8. L'autre extrémité comporte trois fils. Insérez ces trois fils dans l'un des passe-fils situés sur le côté de la fournaise, dans le compartiment de la soufflerie. Branchez l'extrémité du câble d'alimentation sur le panneau de contrôle de la fournaise. Le fil noir doit être relié à la prise du panneau de contrôle où il est indiqué EAC. Le fil blanc doit être relié à l'une des prises qui se trouvent le long de la portion NEUTRE du panneau de contrôle. Le fil vert peut être relié à n'importe quel endroit sur la plaque de montage du panneau de contrôle, mais il est recommandé de l'installer au même endroit que les fils verts de terre existants.
9. Mettez en marche l'interrupteur du module UV, le disjoncteur et l'interrupteur de service de la fournaise.

#### 4.3 INSTALLATION DU MODULE DE LA LAMPE

1. Débranchez l'alimentation électrique de l'appareil UV en tournant à la position « Off » l'interrupteur situé à la base de l'appareil, et débranchez l'alimentation électrique de l'appareil HVAC.
2. Choisissez l'emplacement de la lampe UV; elle est habituellement placée dans le courant d'air de retour ou dans un module du ventilateur récupérateur de chaleur. Assurez-vous que l'emplacement choisi est toujours suffisamment proche de l'appareil HVAC afin d'assurer l'alimentation en courant.
3. Découpez un gabarit et tracez le contour sur l'emplacement souhaité en utilisant un marqueur noir.
4. Au moyen d'une paire de cisailles de ferblantier, faites une ouverture le long du tracé.

5. Appliquez les bandes de joint incluses sur les rebords extérieurs à l'arrière du module de la lampe.
6. Installez la lampe à l'emplacement souhaité.
7. Installez l'ampoule UV dans le module de la lampe.
8. Installez le couvercle du module de la lampe.



FR

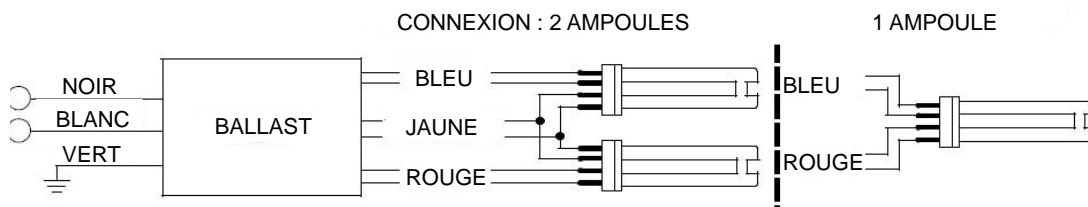
#### 4.3.1 LA LAMPE EST UN AJOUT À UN MODULE

1. Préparez le module principal à l'utilisation d'une ampoule à partir de la lampe.
2. Branchez le câble d'alimentation électrique entre le module principal et le module de la lampe.
3. Branchez l'alimentation électrique sur l'appareil HVAC et activez l'interrupteur à la base de l'appareil UV.



#### 4.3.2 LA LAMPE EST UN AJOUT À LA FOURNAISE

1. Branchez le câble d'alimentation électrique entre la lampe et la fournaise. L'extrémité comporte quatre fils. Insérez ces quatre fils dans l'un des passe-fils situés sur le côté de la fournaise, dans le compartiment de la soufflerie.
2. Fixez le ballast UV sur le panneau de contrôle, s'il est fourni. Attachez le faisceau d'alimentation au ballast en respectant les codes de couleurs pour les fils noirs, blancs et verts.
3. Branchez le câble d'alimentation électrique entre le ballast et le panneau de contrôle de la fournaise. L'extrémité comporte trois fils. Le fil noir doit être relié à la prise du panneau de contrôle où il est indiqué EAC. Le fil blanc doit être relié à l'une des prises qui se trouvent le long de la portion NEUTRE du panneau de contrôle. Le fil vert peut être relié à n'importe quel endroit sur la plaque de montage du panneau de contrôle, mais il est recommandé de l'installer au même endroit que les fils verts de terre existants.
4. Branchez le câble de la lampe sur le ballast comme indiqué ci-dessous pour une installation à une ou deux ampoules. La connexion peut nécessiter deux fils jaunes et deux fils rouges; si vous installez une seule ampoule, utilisez les fils jaunes de la connexion bleue du ballast.



5. Branchez l'alimentation électrique sur l'appareil HVAC et activez l'interrupteur à la base de l'appareil UV.





## 6.0 GARANTIE

FR

Les produits HomeShield sont conçus avec des composants et des matériaux de qualité supérieure, assemblés par des artisans qualifiés qui sont fiers de leur travail. Une fois assemblé, chaque appareil est soigneusement inspecté de nouveau par un technicien qualifié avant d'être emballé pour garantir que vous, le client, recevez le produit de qualité dont vous vous attendez de HomeShield.

### GARANTIE À VIE LIMITÉE DU SYSTÈME DE PURIFICATION D'AIR UV HOMESHIELD

Ce système de purification d'air UV est garanti par Wolf Steel Ltée (« HomeShield ») contre tout défaut de matériau ou de fabrication, sous réserve du respect des conditions normales d'utilisation et d'entretien.

#### GARANTIE LIMITÉE (enregistrée)

Pour le propriétaire original enregistré et son conjoint ou sa conjointe (le « propriétaire »), le module UV est garanti un an après l'installation. L'ampoule UV est garantie 90 jours à compter de la date inscrite sur la facture. Ces garanties sont applicables uniquement si :

- L'appareil est installé dans une résidence unifamiliale principale habitée par le propriétaire, et
- Si l'appareil est enregistré adéquatement en ligne auprès de Napoléon dans les soixante (60) jours suivant l'installation originale. Pour procéder à l'enregistrement, rendez-vous à [www.napoleonheatingandcooling.com](http://www.napoleonheatingandcooling.com). Certains États ou provinces n'autorisent pas de limitations sur la durée d'une garantie limitée implicite ni n'autorisent l'exclusion ou la limitation de dommages accessoires ou consécutifs. Par conséquent, vous n'êtes peut-être pas concerné par la limitation ou l'exclusion décrite ci-dessus. Cette garantie vous donne des droits légaux précis, et vous pourriez avoir d'autres droits, lesquels varient d'une juridiction à l'autre.

HomeShield peut décider d'offrir un crédit équivalent à la valeur de gros proportionnelle, lequel sera applicable à l'achat d'un nouveau système de purification d'air UV HomeShield.

Une preuve d'achat sera exigée. Un représentant de Napoléon procédera à la révision et à la vérification de tout remplacement.

La garantie prend fin dès que l'appareil est enlevé de l'endroit où il a été originalement installé.

Cette garantie limitée s'appliquera uniquement si la fournaise à gaz est : (1) installée par un technicien en CVC certifié ou qualifié, (2) installée conformément aux recommandations du fabricant décrites dans le manuel des Instructions d'installation et d'opération, et (3) installée conformément à toutes les normes de l'industrie nationales, provinciales et d'État, ainsi qu'aux codes locaux.

La période de garantie commencera à la date de l'installation originale, indépendamment du moment de l'enregistrement. Lorsqu'un produit est installé dans une maison nouvellement construite, la date de l'installation correspond à la date à laquelle le propriétaire de la maison en prend possession du constructeur. Si cette date ne peut être confirmée, la période de garantie commence trois mois après le mois de fabrication de l'appareil (comme indiqué par les quatre premiers chiffres du numéro de série).

Comme unique responsabilité, et votre unique recours, Napoléon fournira une pièce de rechange, sans frais uniquement pour cette pièce, afin de remplacer toute pièce déclarée défectueuse en raison de la main-d'oeuvre ou de la fabrication, à condition que l'appareil ait été opéré et entretenu adéquatement.

Afin d'effectuer une réclamation, la pièce défectueuse doit être retournée, par un entrepreneur certifié ou autorisé, à un distributeur ou à un détaillant de produits de chauffage et de climatisation Napoléon. Toute pièce remplacée conformément à cette garantie est seulement garantie pour la durée restante de la couverture de la garantie applicable à la pièce d'origine.

Ces garanties ne couvrent pas les coûts de main-d'oeuvre, de transport ou tout autre coût associé au service, à la réparation ou à l'opération de l'appareil. Elles ne couvrent pas non plus les coûts de diagnostic.

Napoléon n'est pas responsable :

1. Des coûts et dépenses résultant d'une installation défectueuse ou d'une utilisation négligente.
2. Des dommages ou réparations résultant d'une installation défectueuse ou d'une utilisation négligente.
3. Des dommages, défauts ou défaillances engendrés par une installation non conforme à tous les règlements ou lois fédéraux, provinciaux ou de l'État applicables, ainsi qu'aux directives du manuel des Instructions d'installation et d'opération.
4. Des dommages pouvant résulter du transport, d'actes de vandalisme, d'accidents, ou encore d'inondations, incendies, vents, foudre ou de l'action des éléments de la nature. Des environnements contaminés par des composés de chlore, des hydrocarbures halogénés ou d'autres produits chimiques dommageables pouvant causer la détérioration de composants, ou d'autres conditions hors du contrôle de Napoléon.
5. En cas d'utilisation de composants ou d'accessoires non compatibles avec cet appareil.
6. Des produits installés à l'extérieur du Canada, ou des États-Unis et de ses territoires.
7. De l'entretien régulier incluant, mais sans s'y limiter, le nettoyage des serpentins et le nettoyage ou le remplacement des filtres.
8. Des composants non fournis par Napoléon.
9. Des dommages ou des réparations nécessaires résultant d'une utilisation, d'un entretien, d'une opération, d'un nettoyage, d'un remplacement de filtres à air ou de réparations inappropriés.
10. D'un fonctionnement défectueux causé par une interruption de courant et/ou une alimentation électrique inadéquate.
11. Des dommages, défauts ou défaillances causés par des accidents ou de la négligence, ou par une utilisation ou une opération excessive de l'appareil et de ses composants incluant, mais sans s'y limiter, une opération au-delà du rendement prévu et une opération de composants électriques à une tension différente de celle précisée sur la plaque d'homologation.
12. En aucun cas, Napoléon n'élargira la couverture de la garantie aux dommages accessoires, consécutifs ou indirects.
13. Des changements d'apparence de l'appareil qui ne nuisent pas à son rendement.
14. Des dommages, défauts ou défaillances causés par l'opération de l'appareil dans des conditions environnementales anormales (par ex. l'air salin).
15. Des dommages, défauts ou défaillances causés par l'alimentation de la fournaise avec une proportion de plus de 20 % d'air conditionné (air de retour) provenant de l'extérieur (température de l'air de retour de 13°C/55°F).
16. Des dommages, défauts ou défaillances causés par l'installation du module UV en aval du serpentin de refroidissement.

#### PROPRIÉTAIRE : POUR CONSULTATION ULTÉRIEURE

Modèle et no de série \_\_\_\_\_

(No série inscrit à l'intérieur de la porte inférieure)

Date d'installation \_\_\_\_\_

Nom du détaillant \_\_\_\_\_

Détaillant (Ville/Province/État/Code postal) \_\_\_\_\_

Tél. / Téléc. \_\_\_\_\_

Courriel \_\_\_\_\_

Pour en savoir plus au sujet de cette garantie, contactez le département de clients solutions au 866-820-8686, par courriel à [hvac@napoleonproducts.com](mailto:hvac@napoleonproducts.com) ou par courrier à WOLF STEEL LTÉE, 24 Napoleon Road, Barrie, Ontario L4M 0G8 Canada



[www.napoleonheatingandcooling.com](http://www.napoleonheatingandcooling.com)

11.16.16F



## 7.0 SLISTE DES PIÈCES DE RECHANGE DE LA FOURNAISE À UNE ÉTAPE

Contactez votre détaillant ou le fabricant pour les questions concernant les prix et la disponibilité des pièces de rechange. Normalement, toutes les pièces peuvent être commandées chez votre détaillant autorisé.

**POUR UN REMPLACEMENT DE PIÈCE SOUS GARANTIE, UNE PHOTOCOPIE DE LA FACTURE ORIGINALE SERA REQUISE AFIN DE POUVOIR HONORER LA DEMANDE.**

Lorsque vous commandez des pièces, donnez toujours l'information suivante :

- Modèle et numéro de série de l'appareil
- Date d'installation de l'appareil
- Numéro de la pièce
- Description de la pièce
- Fini

### **AVERTISSEMENT**

**OMETTRE DE POSITIONNER LES PIÈCES CONFORMÉMENT AU MANUEL OU D'UTILISER UNIQUEMENT DES PIÈCES SPÉCIFIQUEMENT APPROUVÉES POUR CET APPAREIL PEUT CAUSER DES DOMMAGES MATÉRIELS OU DES BLESSURES CORPORELLES.**

H41.1

### **ATTENTION**

**UTILISEZ SEULEMENT DES AMPOULES UV ET UN BALLAST INTELLIGENT DE MARQUE PHILIPS.**

**OMETTRE D'UTILISER LES AMPOULES ET LE BALLAST DU FABRICANT D'ÉQUIPEMENT D'ORIGINE ANNULE LA GARANTIE ET TOUTE RESPONSABILITÉ DU FABRICANT.**

H3.89

NUMÉRO DE PIÈCE	DESCRIPTION
W010-2810	ENSEMBLE D'AMPOULE DE REMPLACEMENT UV DE 18 W
W405-0004	BALLAST INTELLIGENT UV À BASSE PUISSANCE (36 W)
W405-0010	AMPOULE UV À PUISSANCE ÉLEVÉE (60 W)
W405-0011	BALLAST INTELLIGENT UV À PUISSANCE ÉLEVÉE (120 W)

FR







24 Napoleon Road, Barrie, Ontario, Canada L4M 0G8  
214 Bayview Drive, Barrie, Ontario, Canada L4N 4Y8  
103 Miller Drive, Crittenden, Kentucky, USA 41030  
7200 Trans Canada Highway, Montreal, Quebec, Canada H4T 1A3

Fireplaces / Heating & Cooling call: 705-721-1212  
[napoleonproducts.com](http://napoleonproducts.com)

W415-1309 / B / 11.16.16